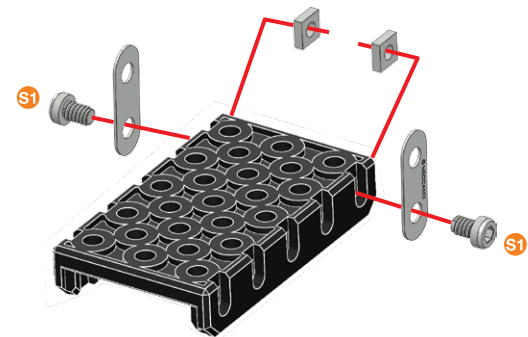
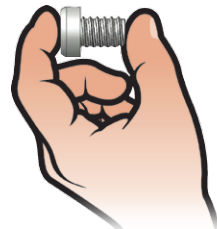




1

	5.8 mm 15/64 in 15/64 po	x2
		x2
		x2
		x1

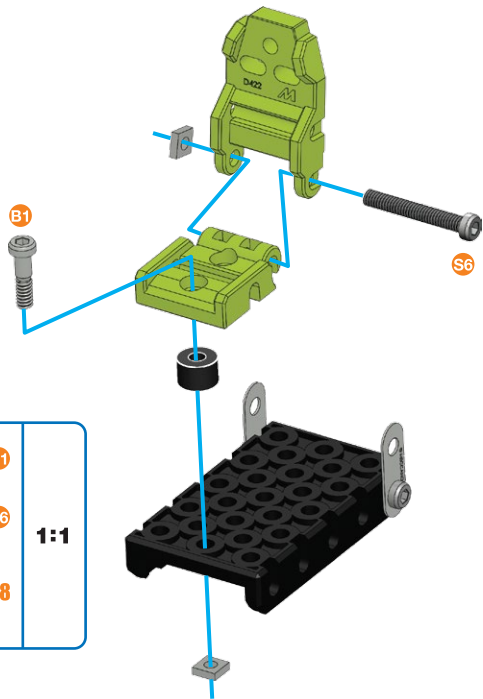
	1:1
--	-----



2

	14.7 mm 37/64 in 37/64 po	x1
	28 mm 1 1/8 in 1 1/8 po	x1
		x2
		x1
		x1
		x1

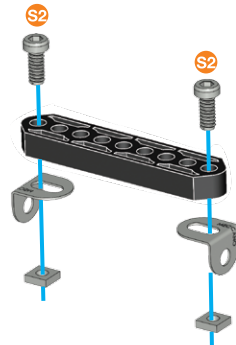
	1:1
	1:1
	A238



3

	9.5 mm 3/8 in 3/8 po	x2
		x2
		x2
		x1

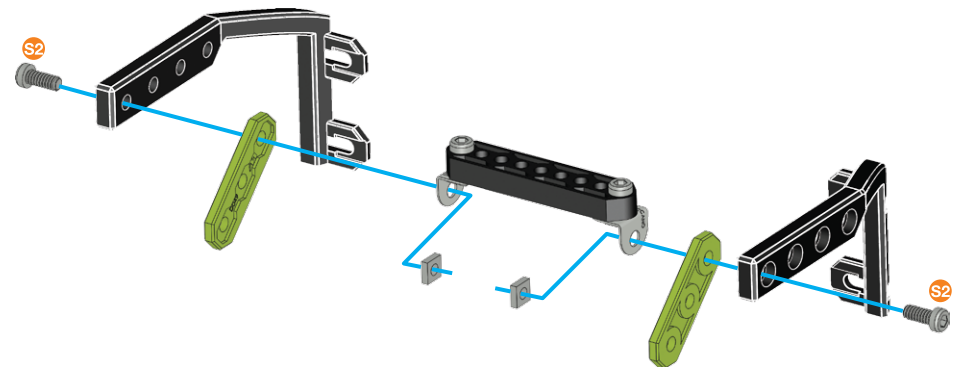
	1:1
--	-----



4 (3+)

	9.5 mm 3/8 in 3/8 po	x2
		x2
		x2
		x1
		x1

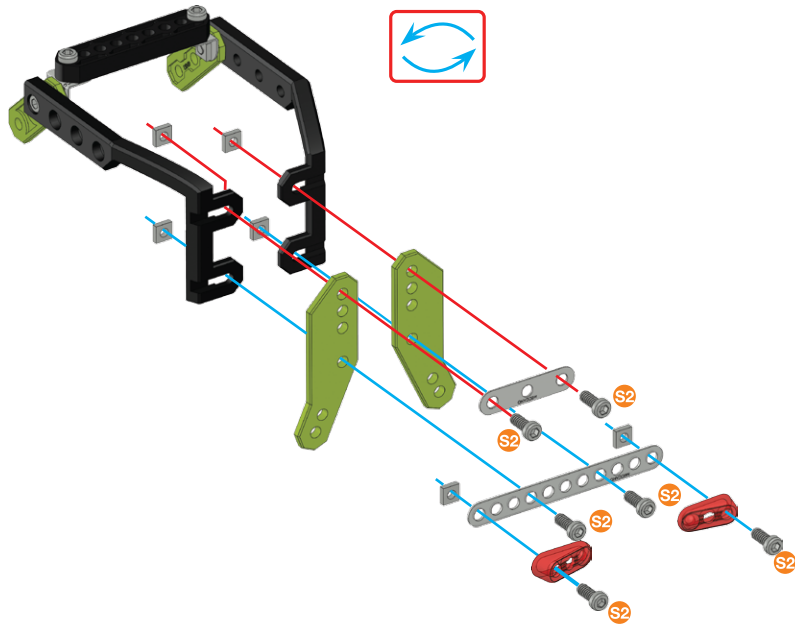
	1:1
--	-----



5

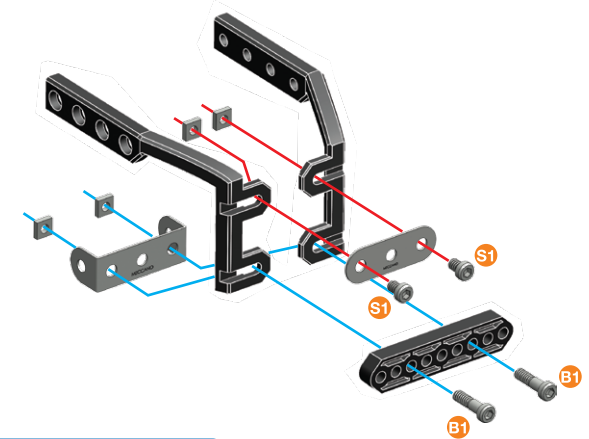
	9,5 mm 3/8in 3/8po	x6
		x6
		x1
		x1
		x2
		x2

	1:1
--	------------

**6**

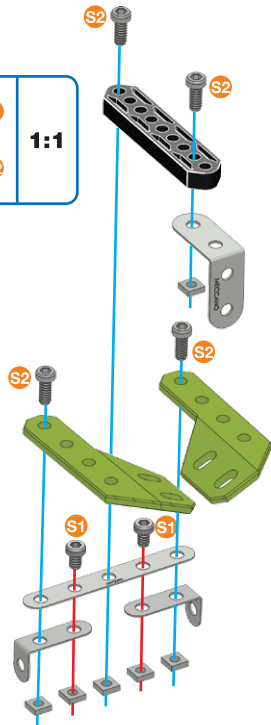
	5,8 mm 15/64 in 15/64 po	x2
	14,7 mm 37/64 in 37/64 po	x2
		x4
		x1
		x1
		x1
		x1
		x1

	1:1
	1:1

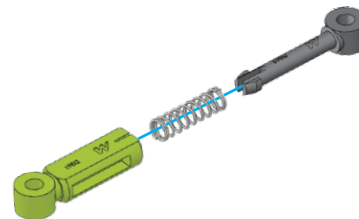
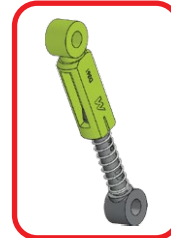
**7**

	5,8 mm 15/64 in 15/64 po	x2
	9,5 mm 3/8in 3/8po	x4
		x6
		x1
		x1
		x2
		x1
		x1
		x1

	1:1
	1:1

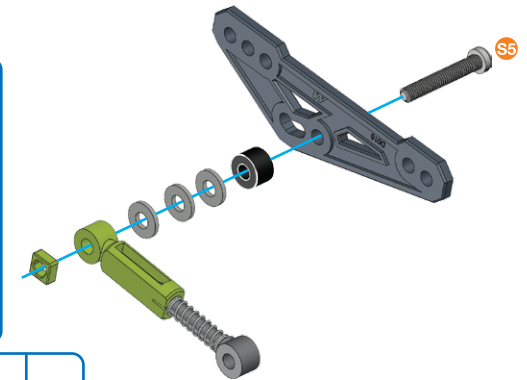
**8**

	x4
	x4
	x4

x4**9****(8+)**

	25,4 mm 1in 1po	x1
		x1
		x3
		x1
		x1

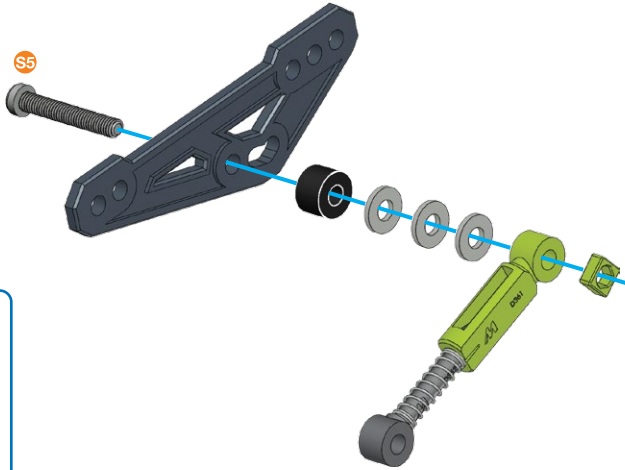
	D277	1:1
	A238	1:1



10**8+**

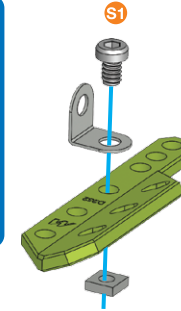
	25.4 mm 1 in 1 po	x1
		x1
		x3
		x1
		x1

	D277	
		1:1
	A238	

**11**

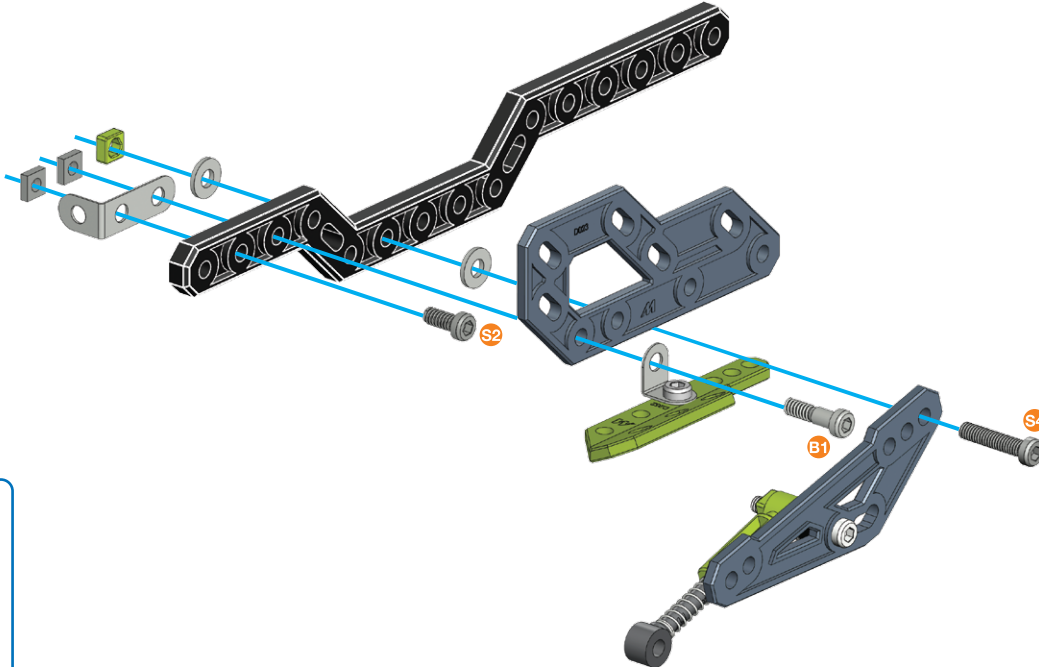
	5.8 mm 15/64 in 15/64 po	x1
		x1
		x1
		x1

	1:1
--	------------

**12****9+(11)+**

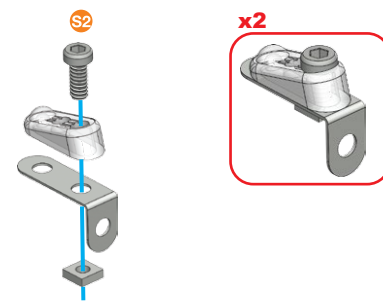
	9.5 mm 3/8 in 3/8 po	x1
	14.7 mm 37/64 in 37/64 po	x1
	19 mm 3/4 in 3/4 po	x1
		x2
		x1
		x2
		x1
		x1
		x1

		1:1
	D277	

**13**






	9.5 mm 3/8 in 3/8 po	x2
		x2
		x2
		x2

	1:1
--	------------






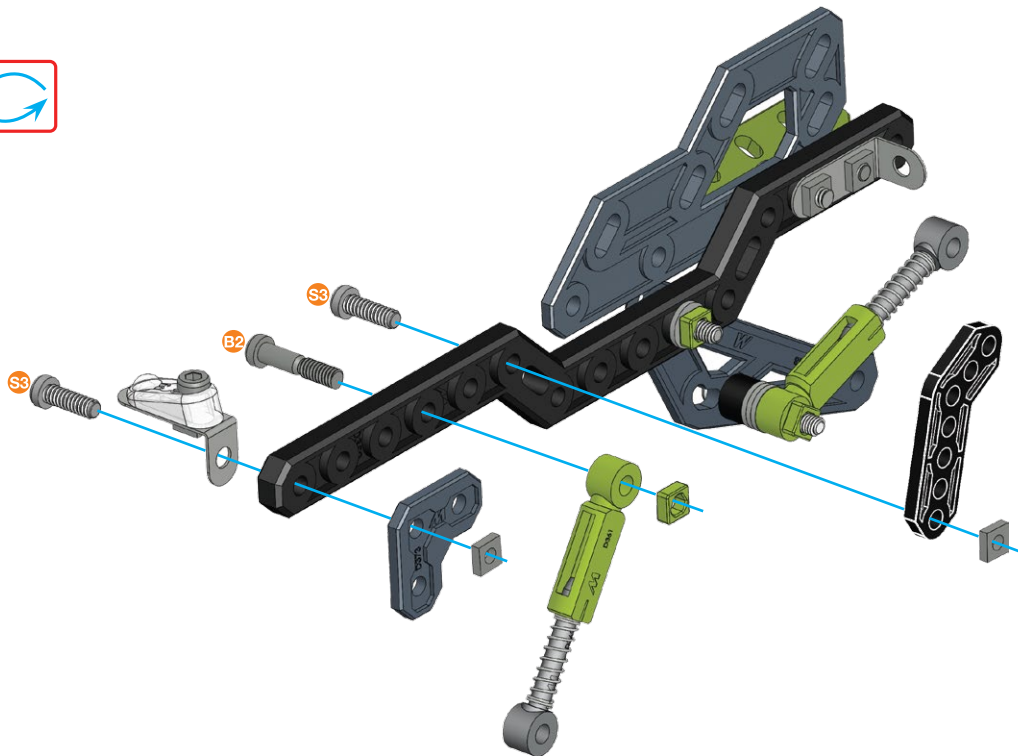
14

(8)+(12)+(13)+





-  S3 12 mm 1/2 in 1/2 po **x2**
-  B2 19 mm 3/4 in 3/4 po **x1**
-  S4 **x2**
-  S1 **x1**
-  S2 **x1**



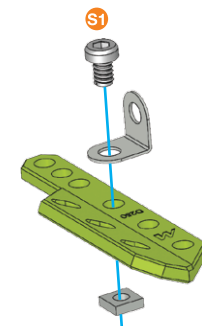
-  S3 **1:1**
-  B2 **1:1**
-  D277



15











-  S1 5.8 mm 15/64 in 15/64 po **x1**
-  S2 **x1**
-  S1 **x1**
-  S1 **x1**





-  S1 **1:1**

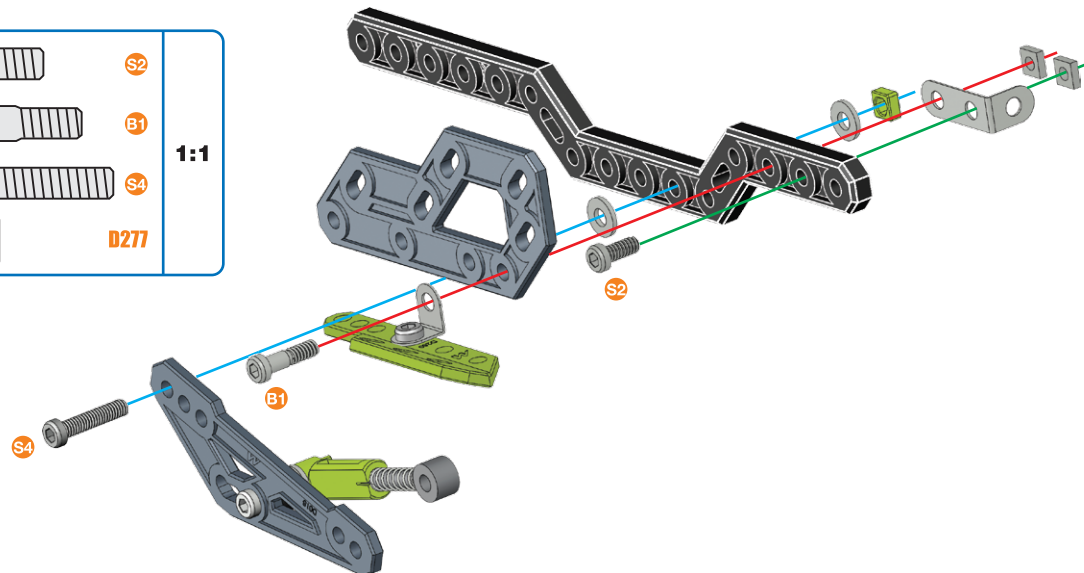


16

(10)+(15)+

-  S2 9.5 mm 3/8 in 3/8 po **x1**
-  S1 14.7 mm 37/64 in 37/64 po **x1**
-  S4 19 mm 3/4 in 3/4 po **x1**
-  S2 **x2**
-  S1 **x1**
-  S1 **x2**
-  S1 **x1**
-  S1 **x1**
-  S1 **x1**
-  S1 **x1**

-  S2 **1:1**
-  B1 **1:1**
-  S4 **1:1**
-  D277



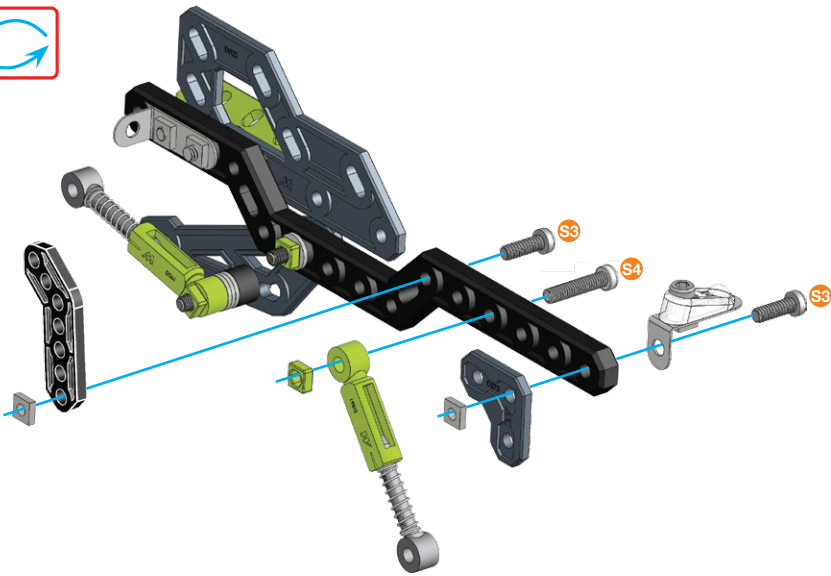
17

(8)+(13)+(16)+

	12 mm 1/2 in 1/2 po	x2
	19 mm 3/4 in 3/4 po	x1
		x2
		x1
		x1
		x1



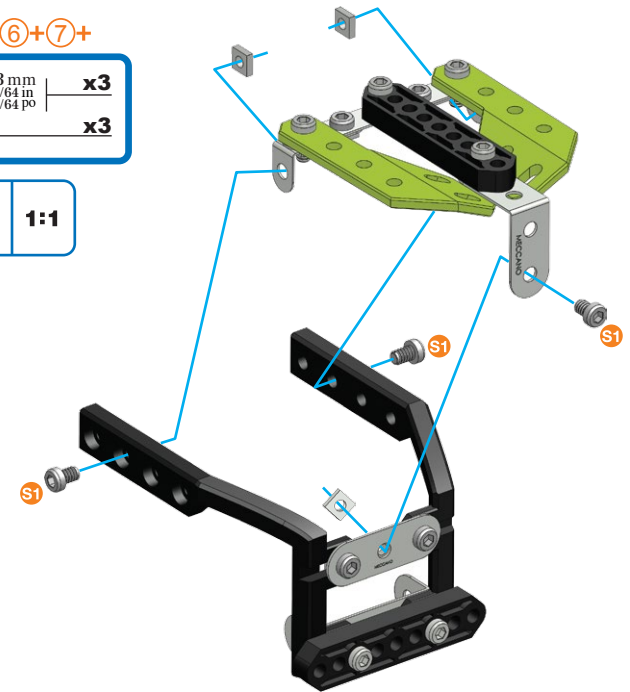
	S3	1:1
	S4	
	D277	



18

(6)+(7)+

	5.8 mm 15/64 in 15/64 po	x3
		x3
	S1	1:1

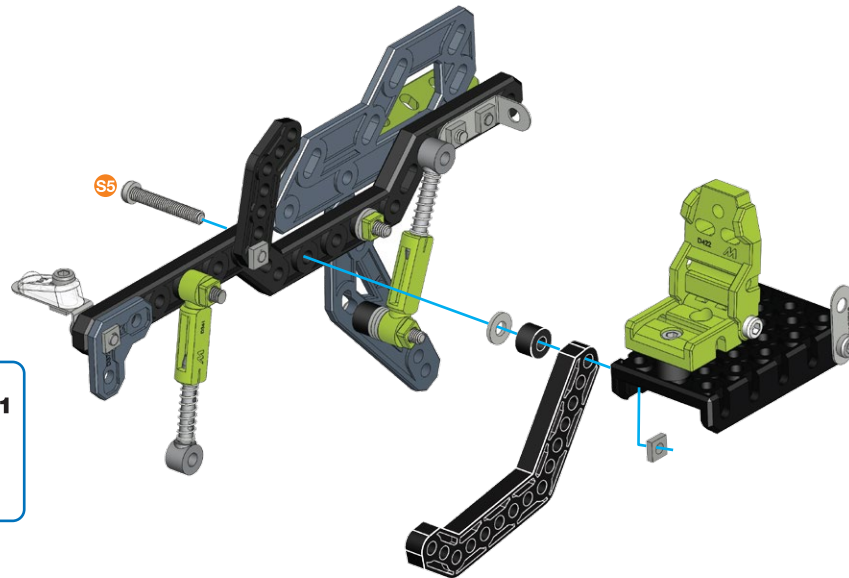


19

(2)+(14)+

	25.4 mm 1 in 1 po	x1
		x1
		x1
		x1
		x1

	S5	1:1
	A238	



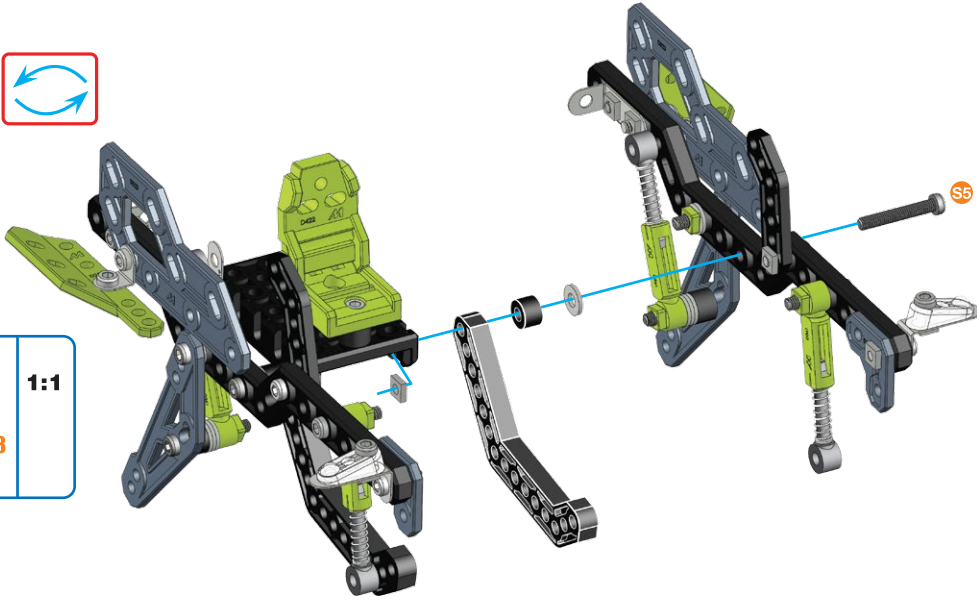
20

17+19+

- 25.4 mm
1 in
1 po | **x1**
- | **x1**
- | **x1**
- | **x1**
- | **x1**

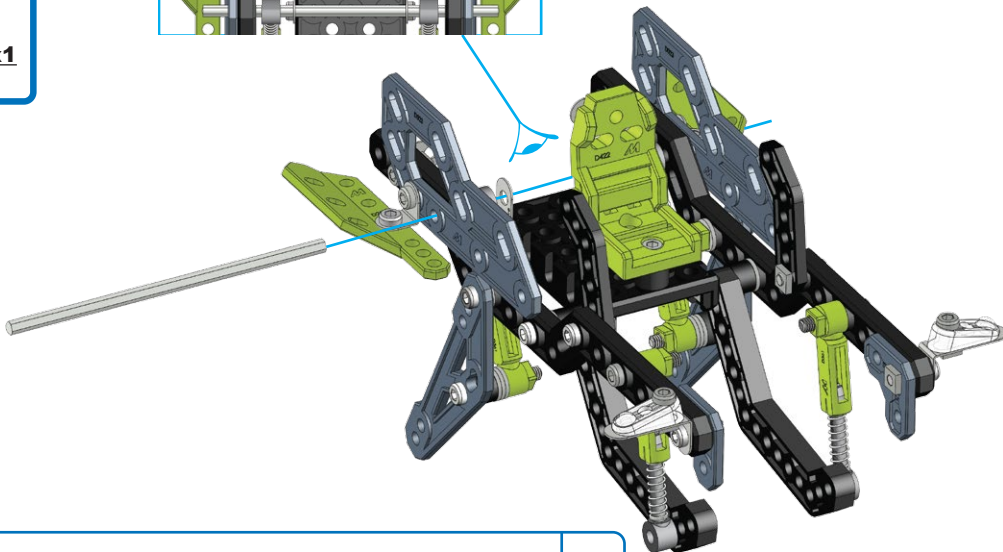
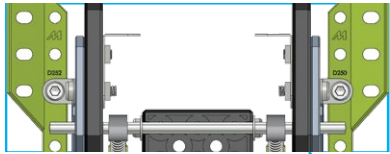


- | **1:1**
- | **A238**



21

- | **x1**
100 mm
3 15/16 in
3 15/16 po



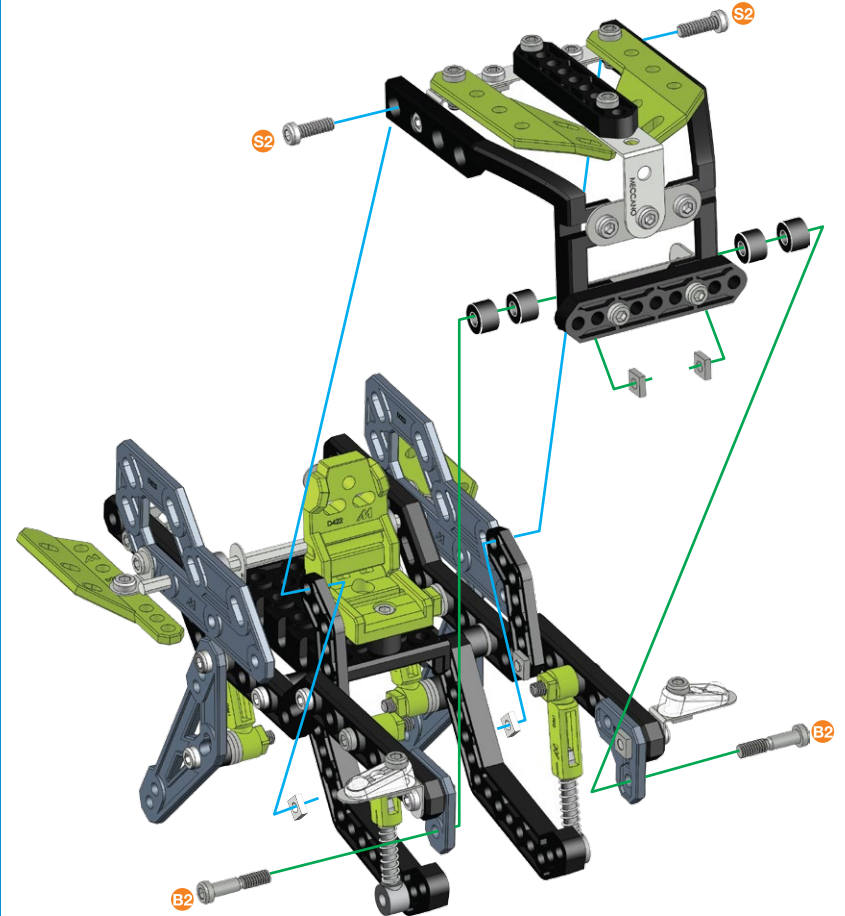
- | **1:1**

22

18+21+



- 9.5 mm
3/8 in
3/8 po | **x2**
- 19 mm
3/4 in
3/4 po | **x2**
- | **x4**
- | **x4**

- | **S2**
- | **B2**
- | **A238**
- 1:1**

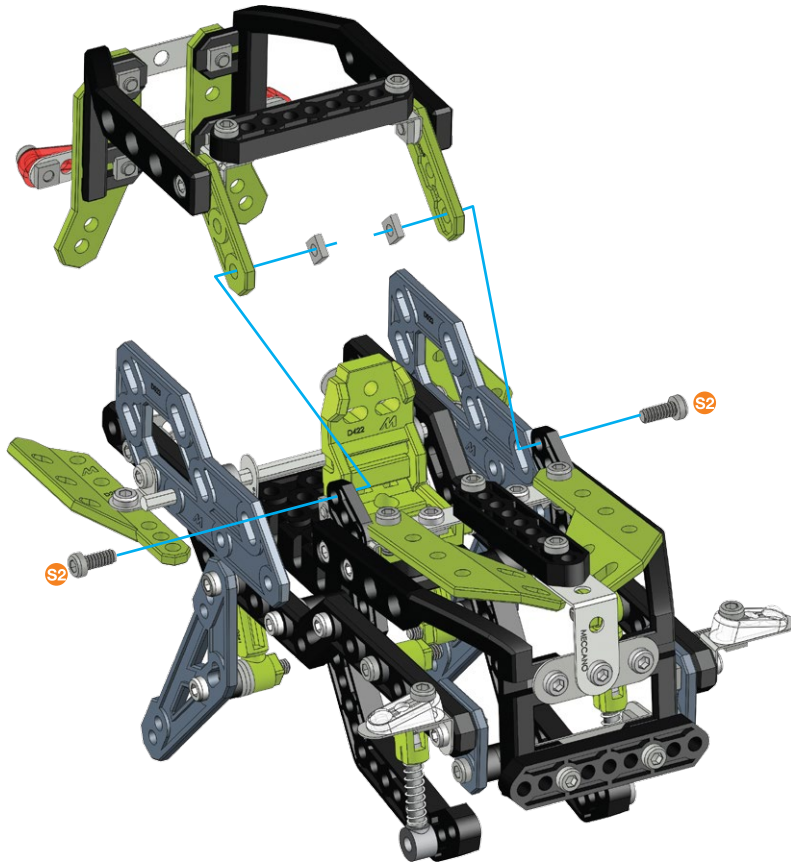


23


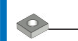
5+22+

	9.5 mm 3/8 in	x2
		x2

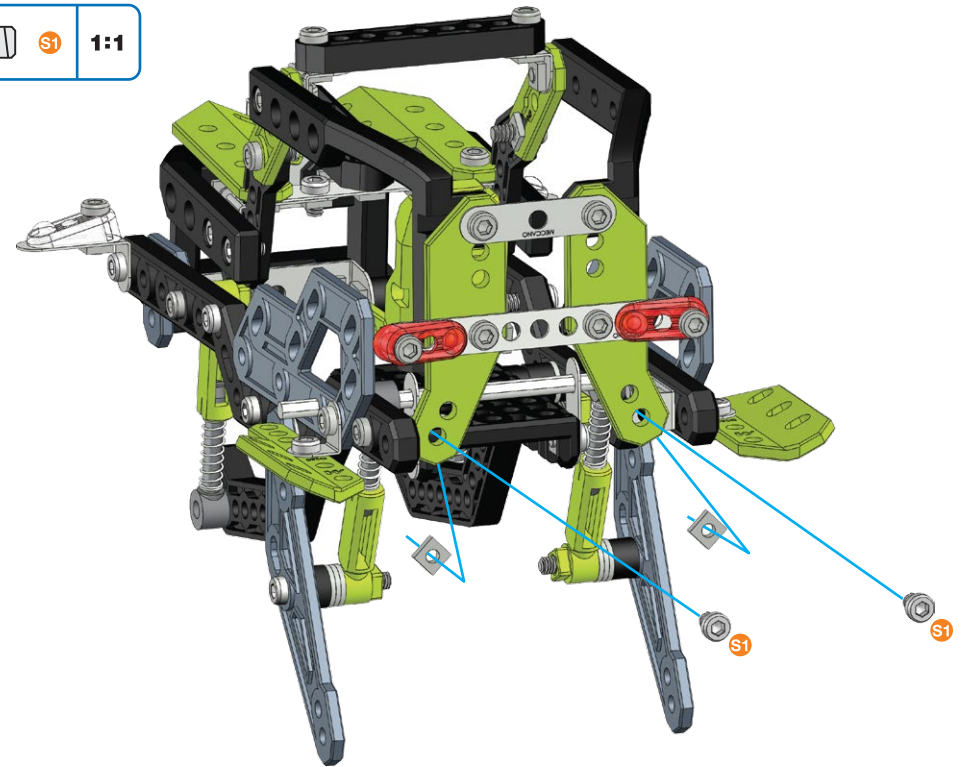
	1:1
---	-----



24

	5.8 mm 15/64 in	x2
		x2

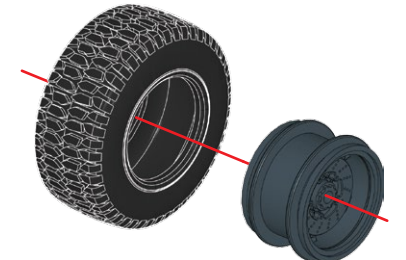
	1:1
---	-----



25


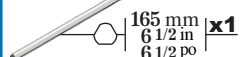
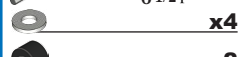
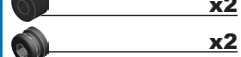


	x4
	x4

x4

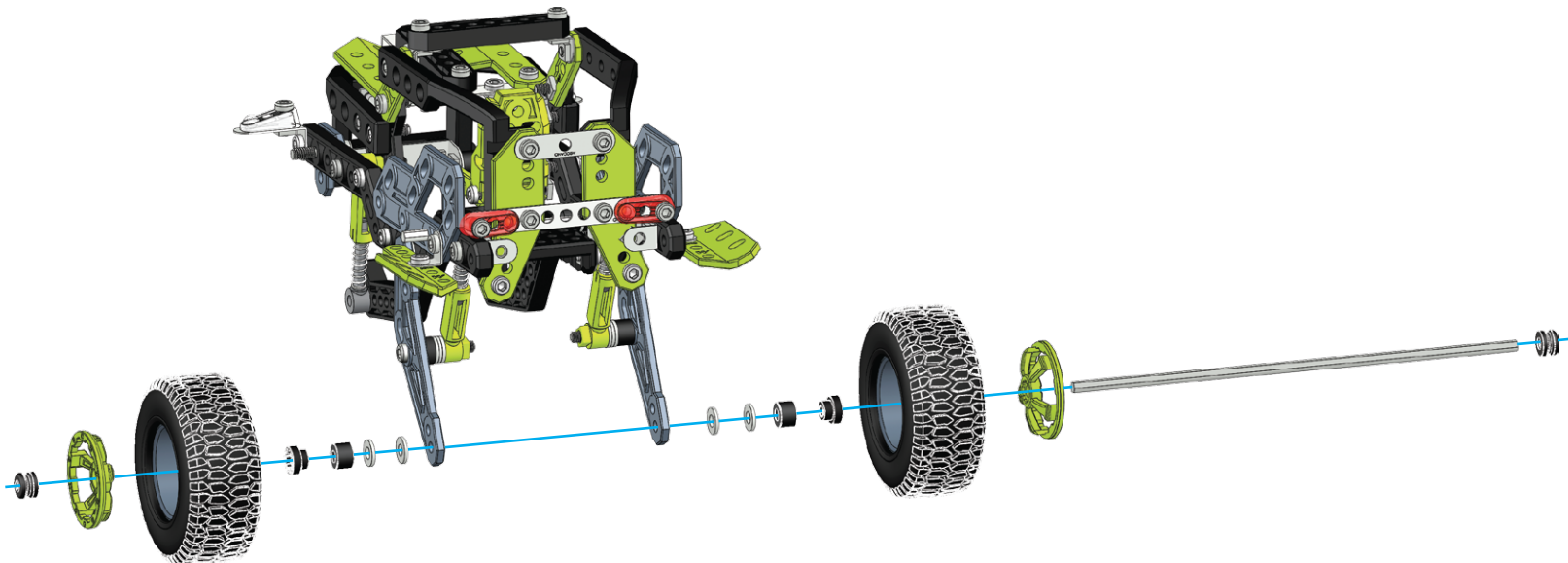


26

24+25+


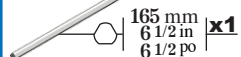
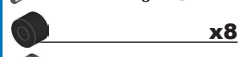


-  165 mm
6 1/2 in
6 1/2 po x1
-  x4
-  x2
-  x2
-  x2
-  x2

-  A238 1:1



27

25+26+

-  165 mm
6 1/2 in
6 1/2 po x1
-  x8
-  x2
-  x2
-  x1



-  A238 1:1

