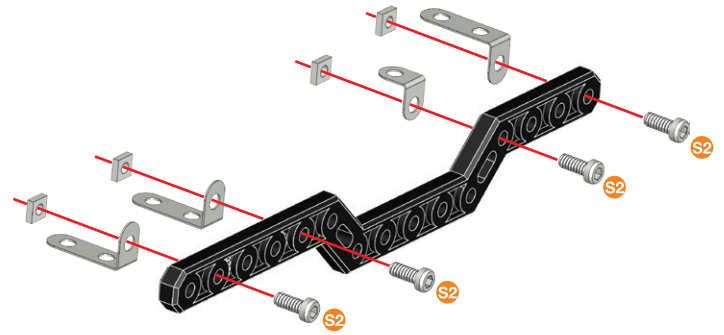
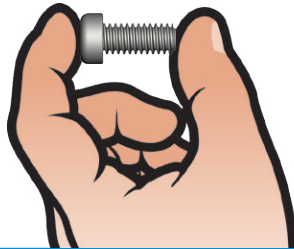


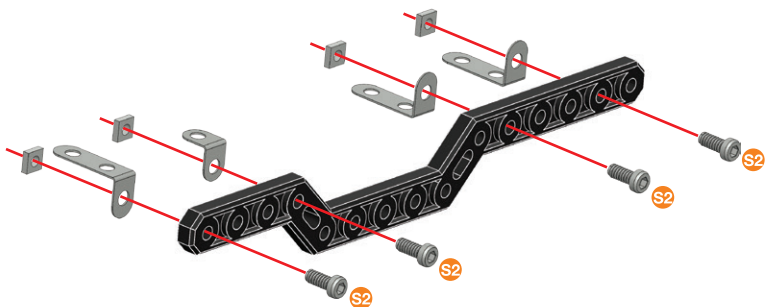
- 1**
- 9.5 mm | 3/8in | 3/8po | **x4**
 - x4**
 - x1**
 - x3**
 - x1**

- S2** | **1:1**



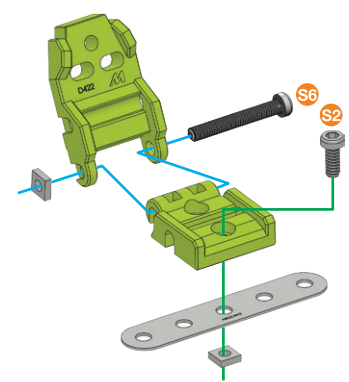
- 2**
- 9.5 mm | 3/8in | 3/8po | **x4**
 - x4**
 - x1**
 - x3**
 - x1**

- S2** | **1:1**






- 3**
- 9.5 mm | 3/8in | 3/8po | **x1**
 - 28 mm | 1 1/8in | 1 1/8po | **x1**
 - x2**
 - x1**
 - x1**
 - x1**

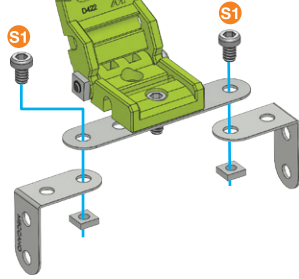
- S2**
- S6** | **1:1**



4




	5.8 mm 15/64 in 15/64 po	x2
		x2
		x2



	1:1
--	-----

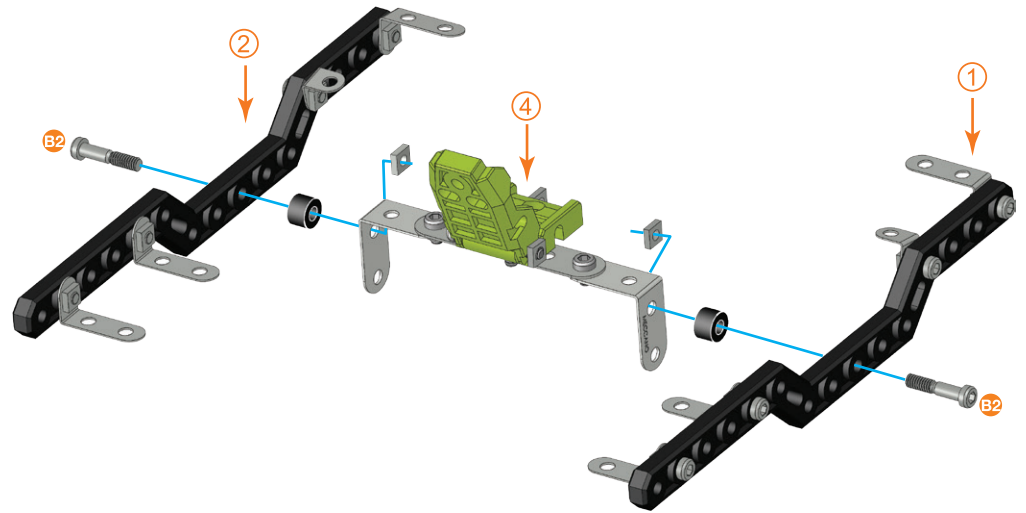


5




①+②+④+

	19 mm 3/4 in 3/4 po	x2
		x2
		x2

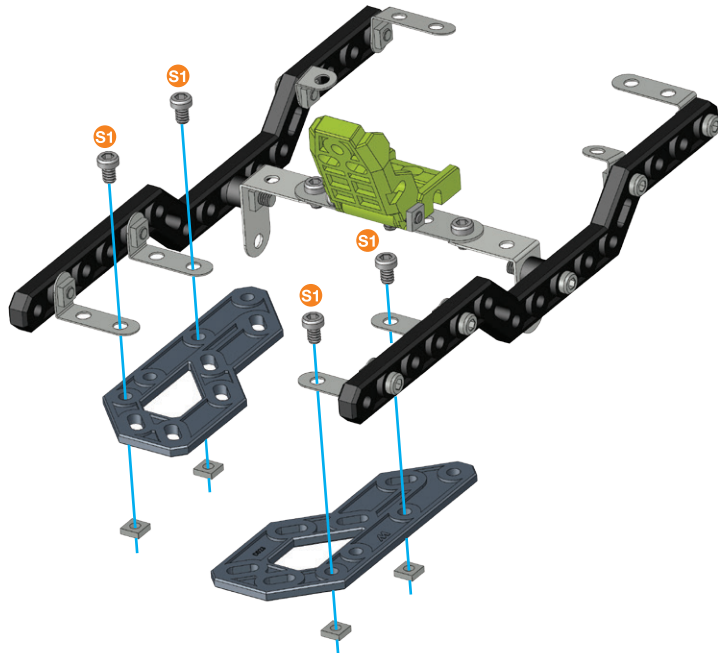
	B2	1:1
	A238	








6

	5.8 mm 15/64 in 15/64 po	x4
		x4
		x2

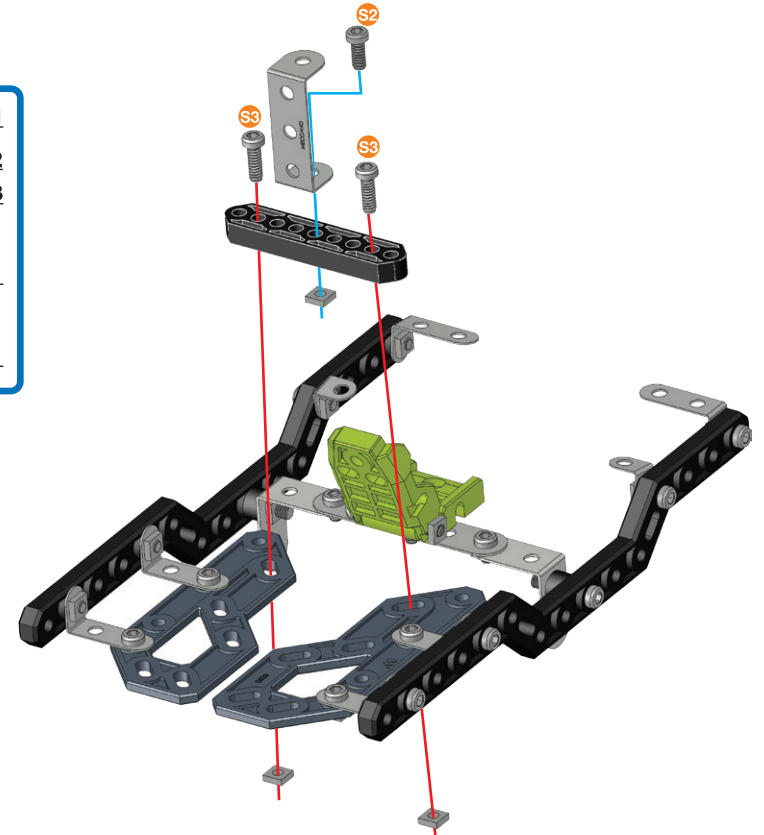
	1:1
---	-----



7

	9.5 mm 3/8 in 3/8 po	x1
	12 mm 1/2 in 1/2 po	x2
		x3
		x1
		x1

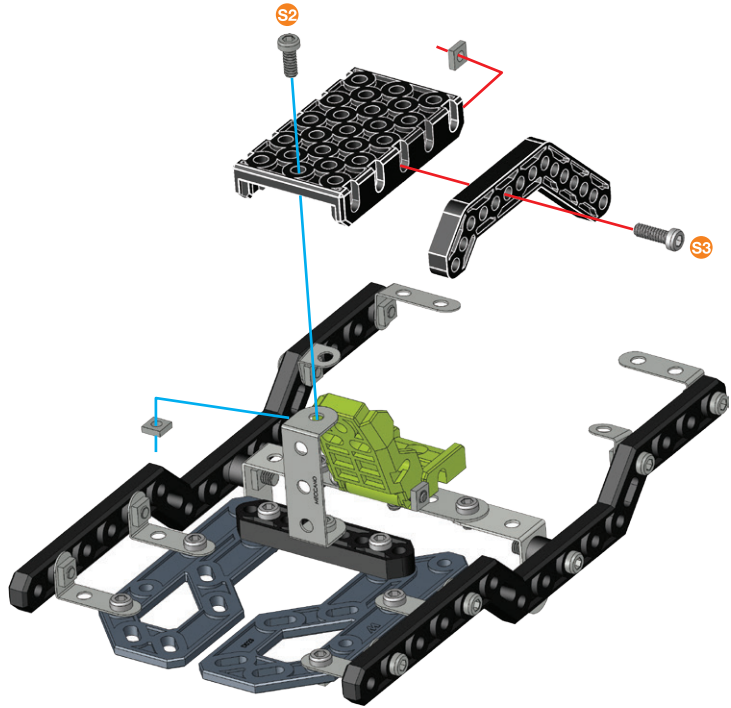
	S2	1:1
	S3	



8

- 9.5 mm | 3/8 in | 3/8 po | x1
- 12 mm | 1/2 in | 1/2 po | x1
- | x2
- | x1
- | x1

- | 1:1
- | 1:1

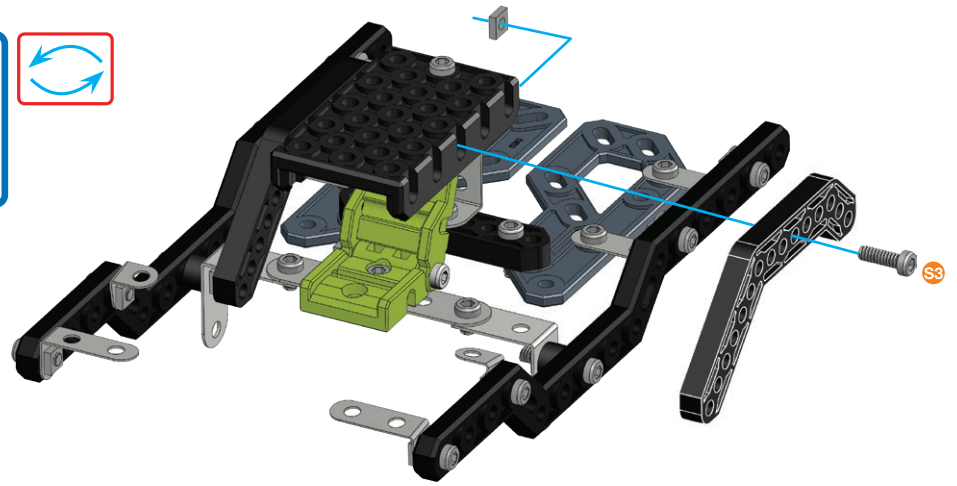


9

- 12 mm | 1/2 in | 1/2 po | x1
- | x1
- | x1



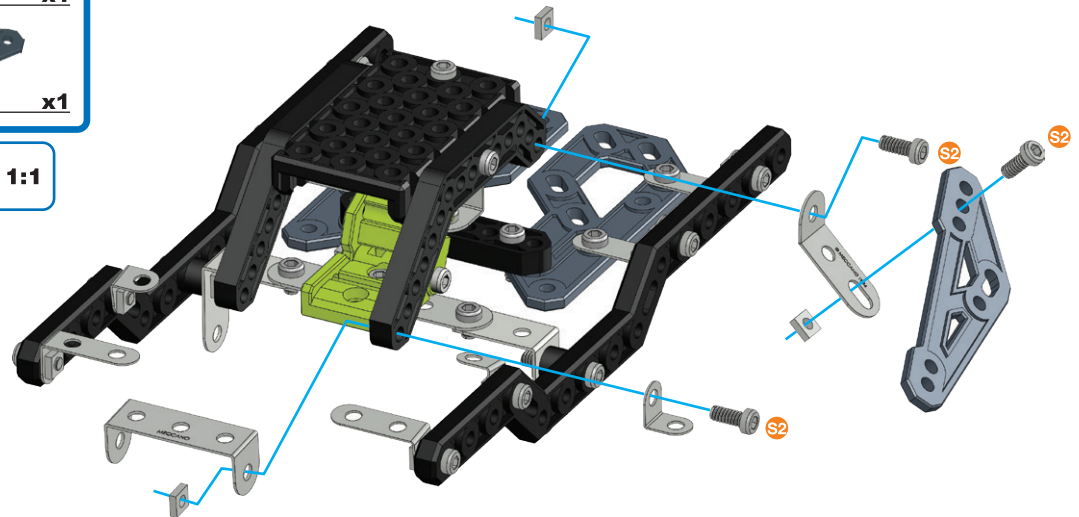
- | 1:1



10

- 9.5 mm | 3/8 in | 3/8 po | x3
- | x3
- | x1
- | x1
- | x1

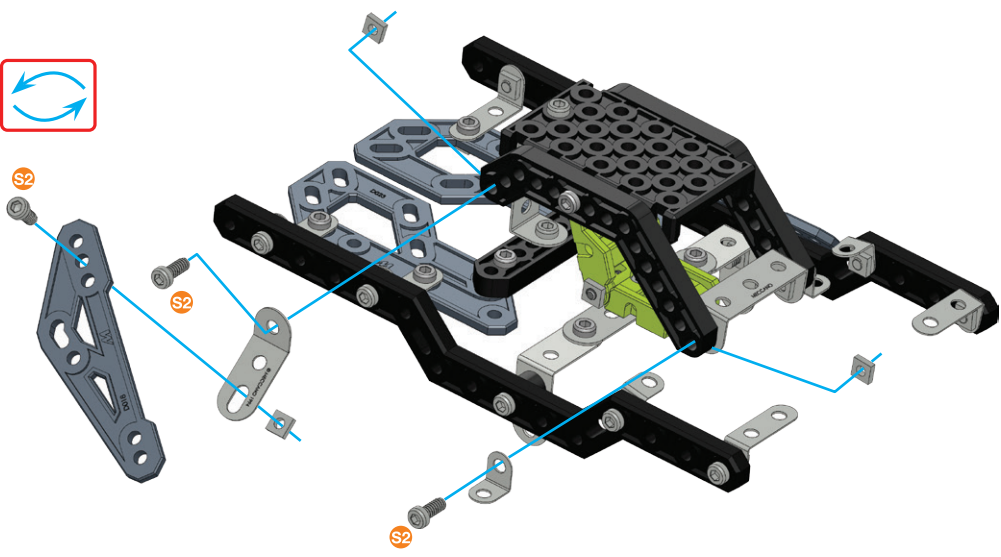
- | 1:1



11

- 9.5 mm | 3/8 in | 3/8 po | **x3**
- x3**
- x1**
- x1**
- x1**

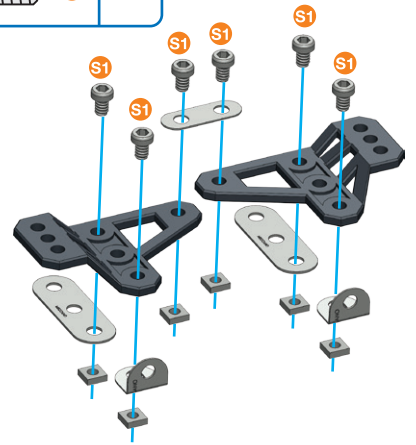
- 1:1**



12

- 5.8 mm | 15/64 in | 15/64 po | **x6**
- x6**
- x2**
- x1**
- x2**
- x1**
- x1**

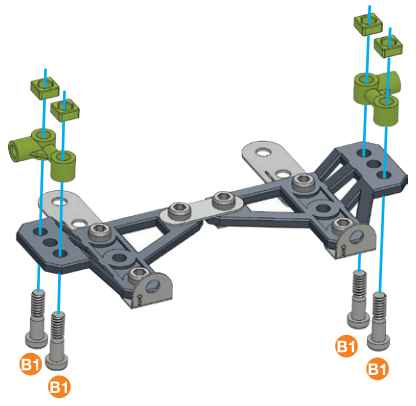
- 1:1**



13

- 14.7 mm | 37/64 in | 37/64 po | **x4**
- x4**
- x2**

- 1:1**
- D277**

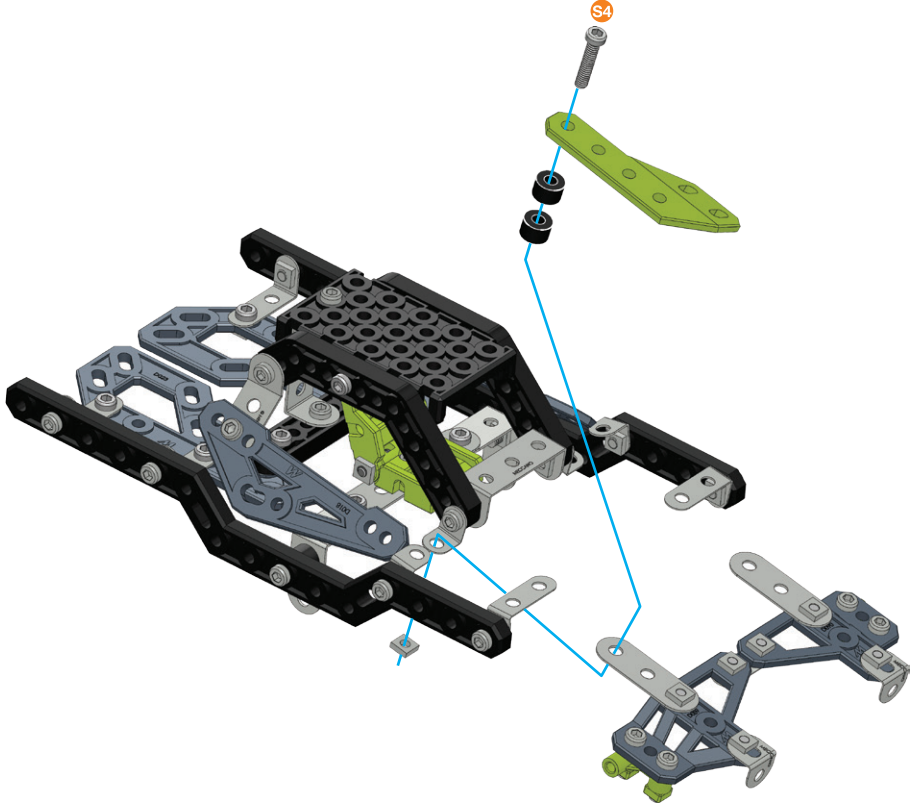


14

(11)+(13)+

- 19 mm | 3/4 in | 3/4 po | **x1**
- x1**
- x2**
- x1**

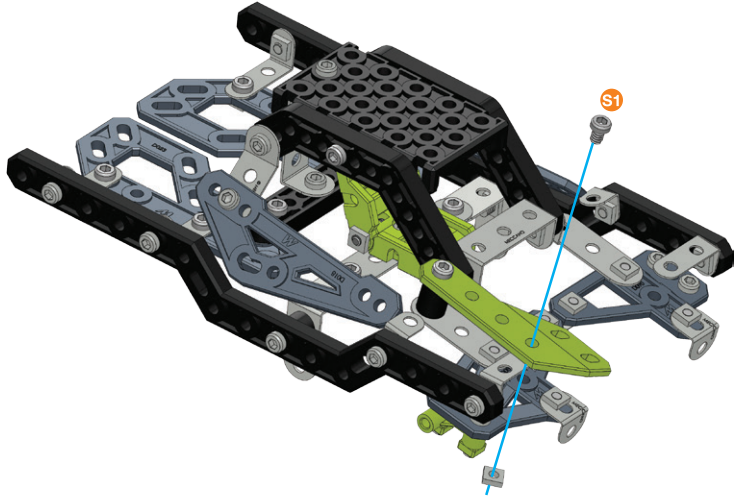
- 1:1**
- A238**



15

- 5.8 mm | 15/64 in | 15/64 po | **x1**
- x1**

- S1** | **1:1**

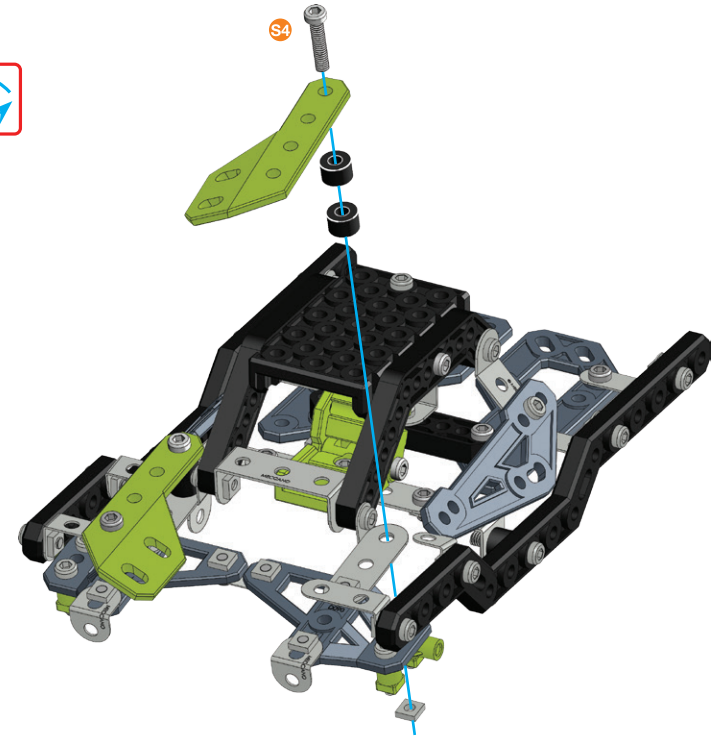


16

- 19 mm | 3/4 in | 3/4 po | **x1**
- x1**
- x2**
- x1**



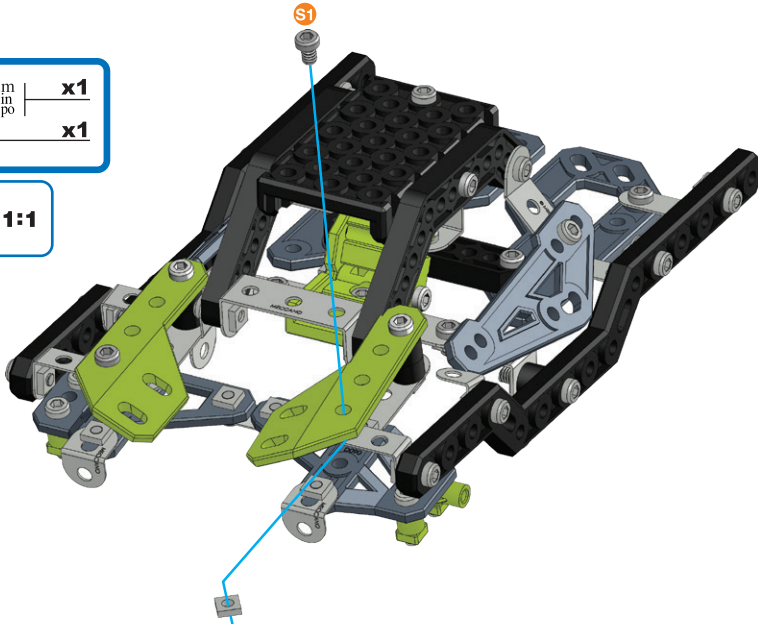
- S4** | **1:1**
- A238**



17

- 5.8 mm | 15/64 in | 15/64 po | **x1**
- x1**

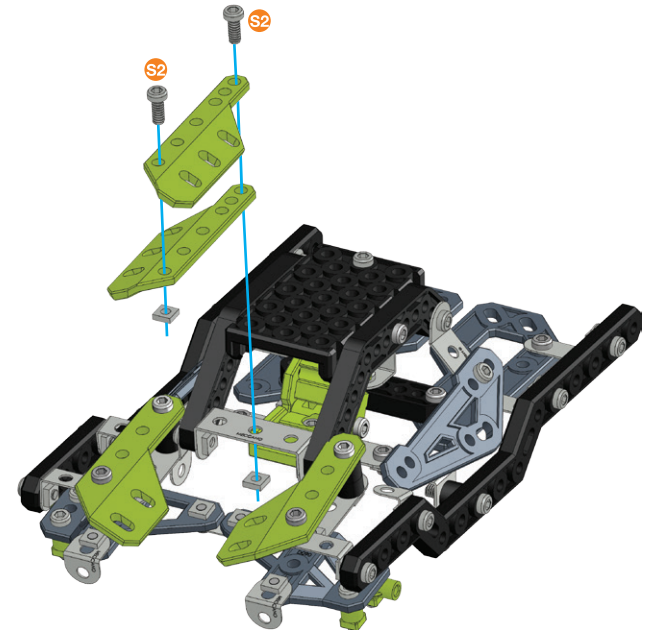
- S1** | **1:1**



18

- 9.5 mm | 3/8 in | 3/8 po | **x2**
- x1**
- x1**

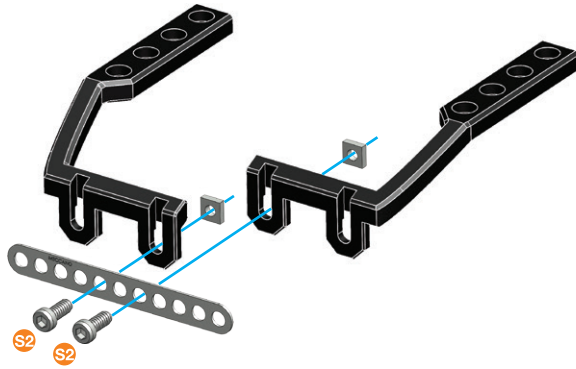
- S2** | **1:1**



19

- 9.5 mm | 3/8 in | 3/8 po | **x2**
- x2**
- x1**
- x1**
- x1**

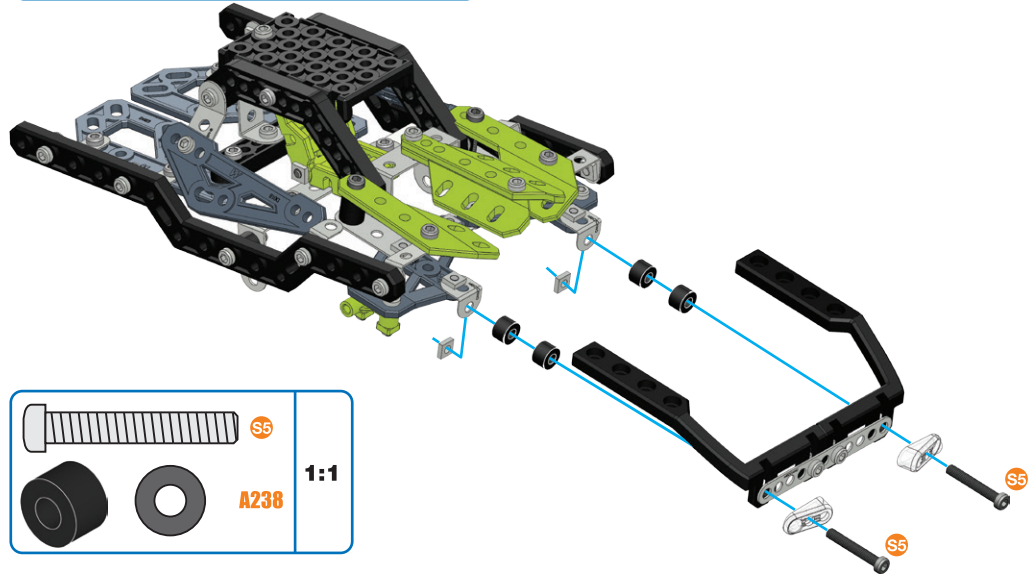
- S2** | **1:1**



20

18+19+

- 25.4 mm | 1 in | 1 po | **x2**
- x2**
- x4**
- x2**
- x2**

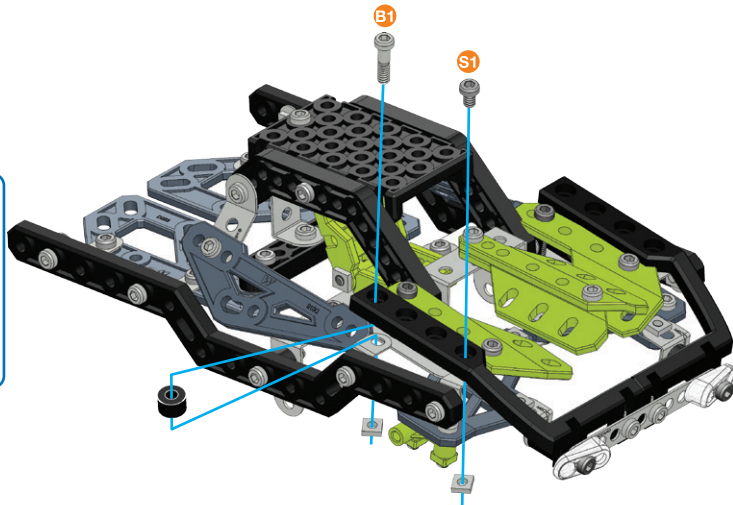


- S5** | **1:1**
- A238**

21

- 5.8 mm | 15/64 in | 15/64 po | **x1**
- 14.7 mm | 37/64 in | 37/64 po | **x1**
- x2**
- x1**

- S1**
- B1**
- A238**
- 1:1**

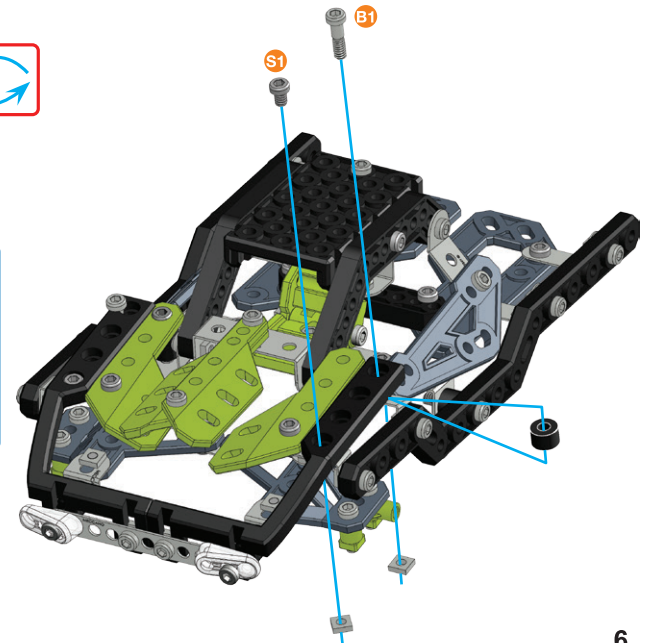


22






- 5.8 mm | 15/64 in | 15/64 po | **x1**
- 14.7 mm | 37/64 in | 37/64 po | **x1**
- x2**
- x1**



- S1**
- B1**
- A238**
- 1:1**

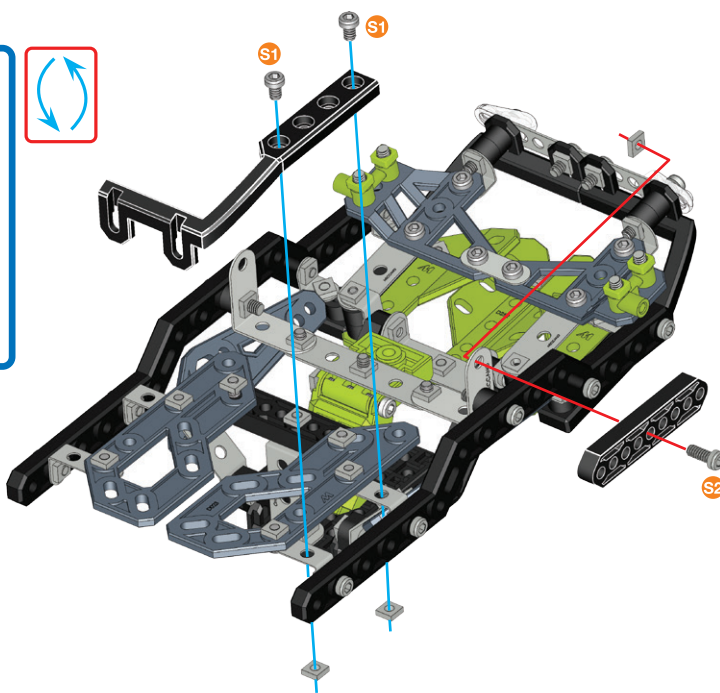


23






-  5.8 mm | 15/64 in | 15/64 po | **x2**
-  9.5 mm | 3/8 in | 3/8 po | **x1**
-  **x3**
-  **x1**
-  **x1**



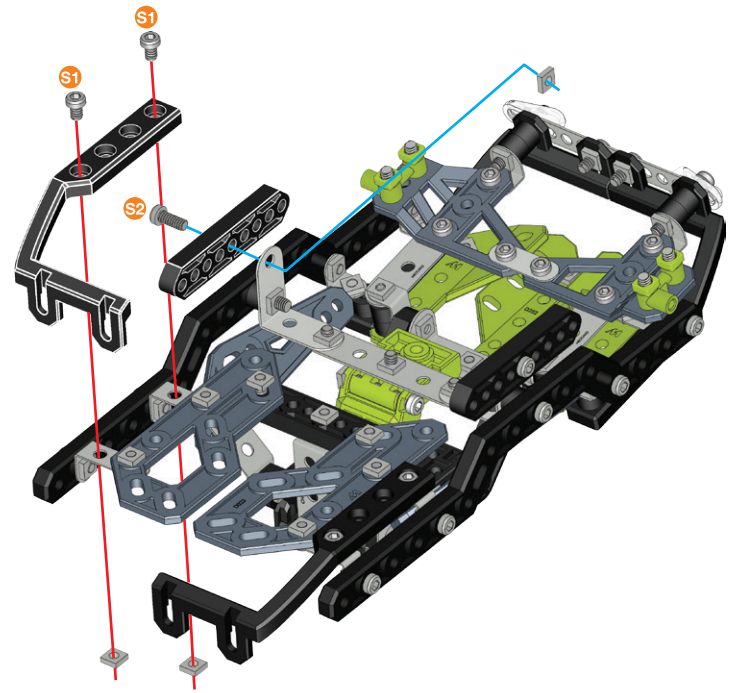
-  **S1**
-  **S2**
- 1:1**






24

-  5.8 mm | 15/64 in | 15/64 po | **x2**
-  9.5 mm | 3/8 in | 3/8 po | **x1**
-  **x3**
-  **x1**
-  **x1**

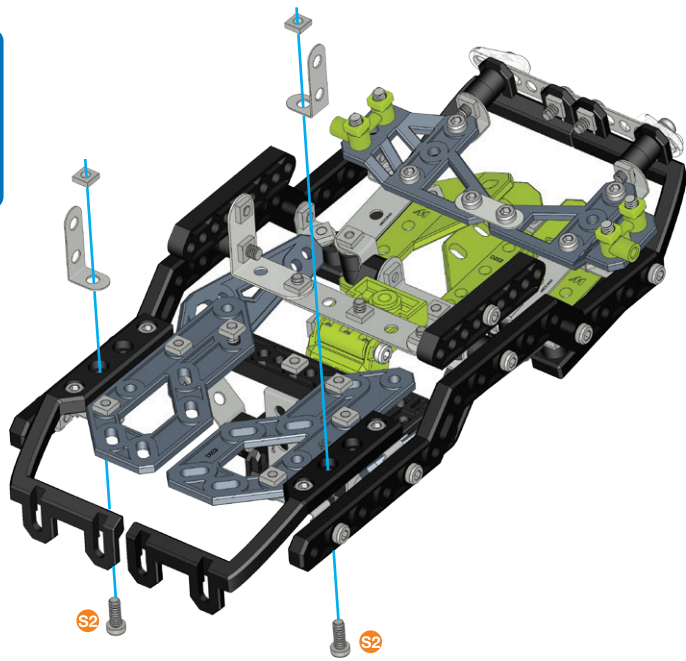
-  **S1**
-  **S2**
- 1:1**









25

-  9.5 mm | 3/8 in | 3/8 po | **x2**
-  **x2**
-  **x2**

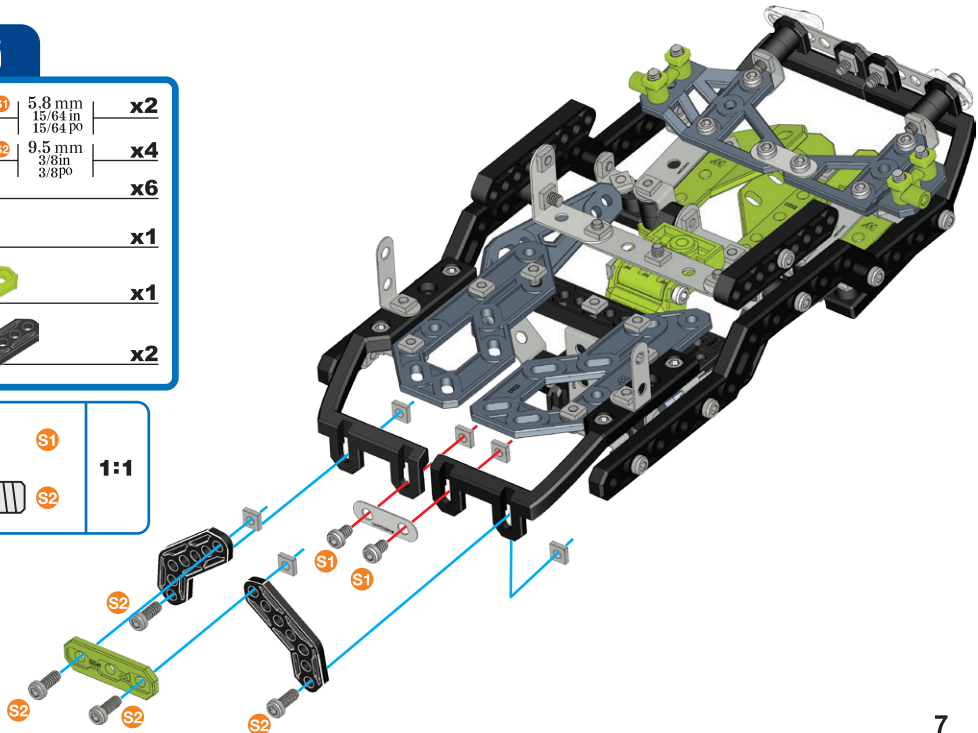
-  **S2**
- 1:1**






26

-  5.8 mm | 15/64 in | 15/64 po | **x2**
-  9.5 mm | 3/8 in | 3/8 po | **x4**
-  **x6**
-  **x1**
-  **x1**
-  **x2**

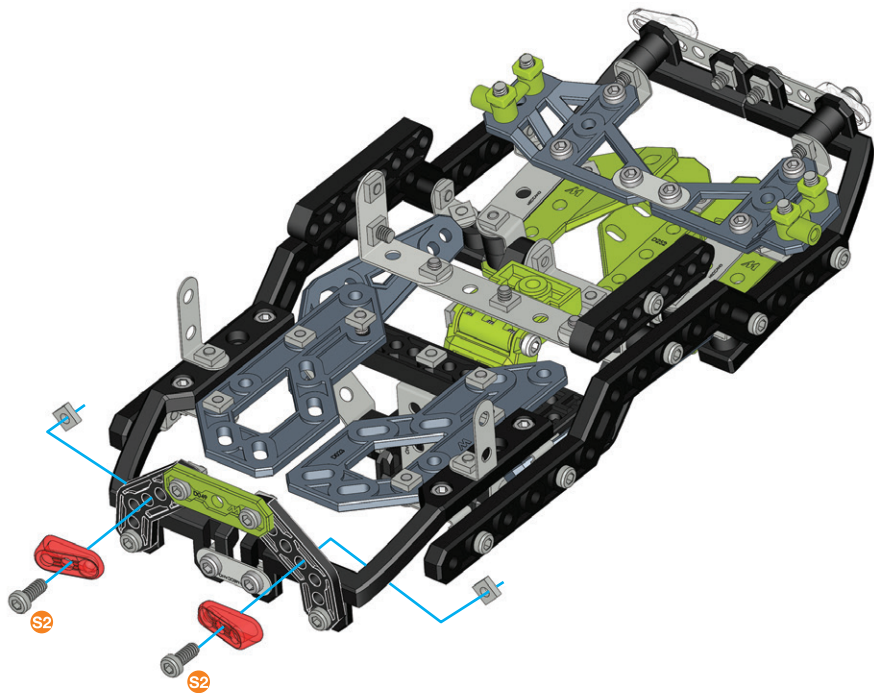
-  **S1**
-  **S2**
- 1:1**



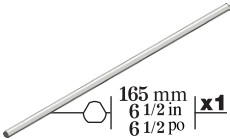
27

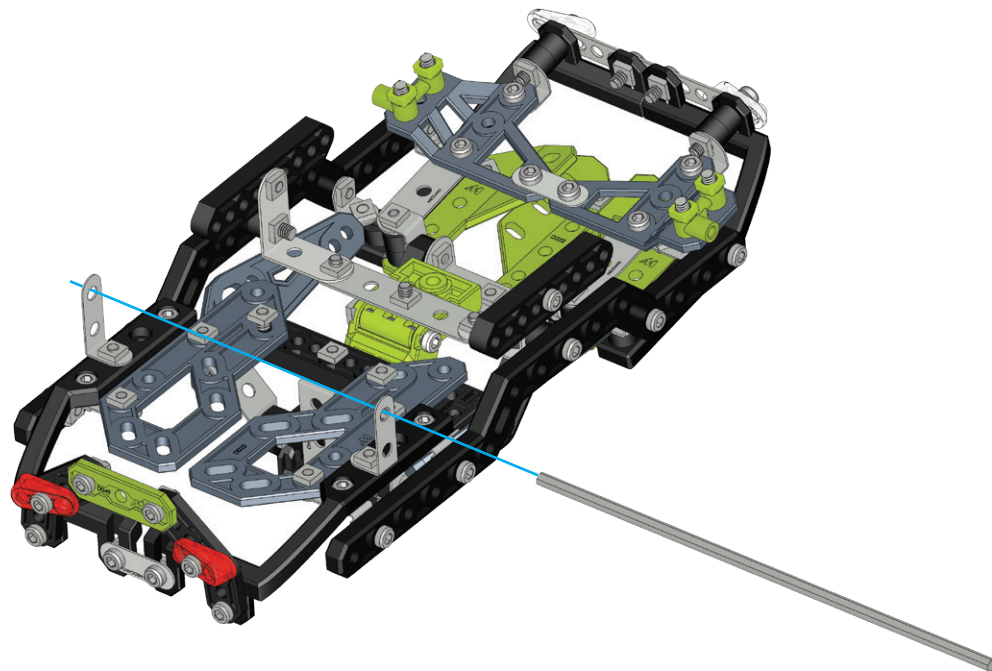
-  9.5 mm
3/8 in
3/8 po | **x2**
-  | **x2**
-  | **x2**

-  S2 | **1:1**



28

-  165 mm
6 1/2 in
6 1/2 po | **x1**

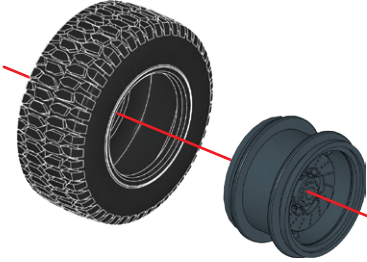


1:1



29

	x4
	x4

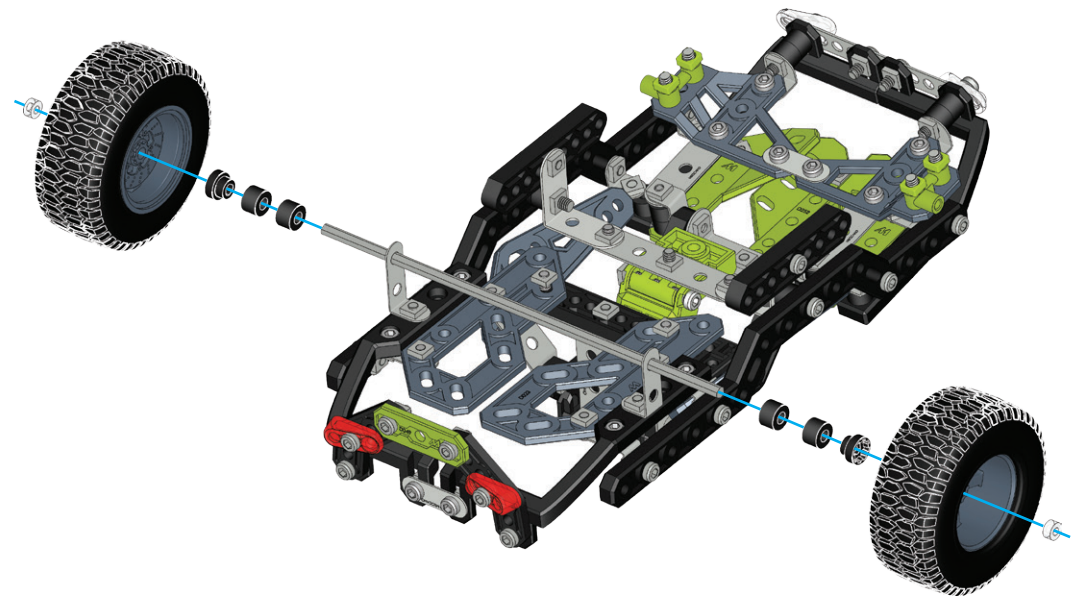
x4




30 28+29+




	x2
	x4
	x2

		A238	1:1
---	---	------	-----



31 29+30+

	25.4 mm 1 in 1 po	x2
		x2
		x4

		A238	1:1
		S5	

