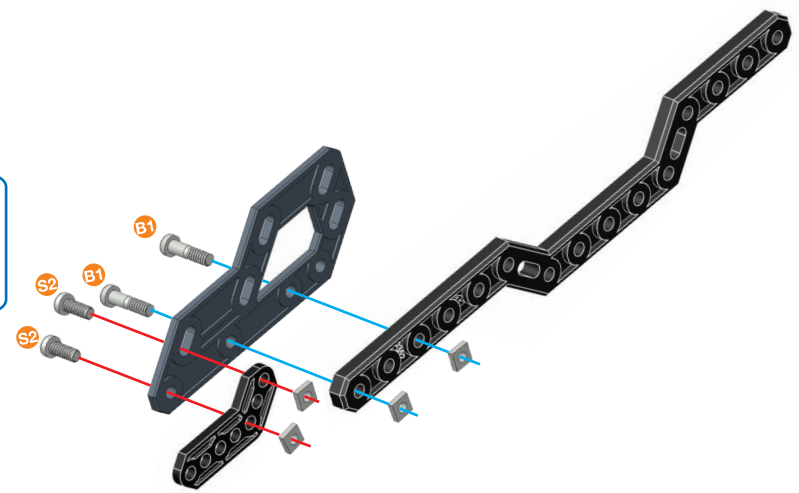
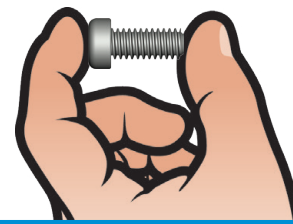


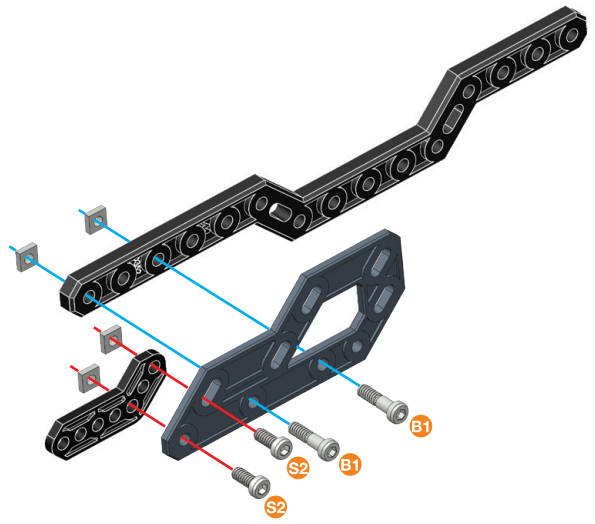
- 1**
- S2** 9.5 mm | 3/8 in | 3/8 po | **x2**
 - B1** 14.7 mm | 37/64 in | 37/64 po | **x2**
 - x4**
 - x1**
 - x1**
 - x1**

- S2**
 - B1**
- 1:1**



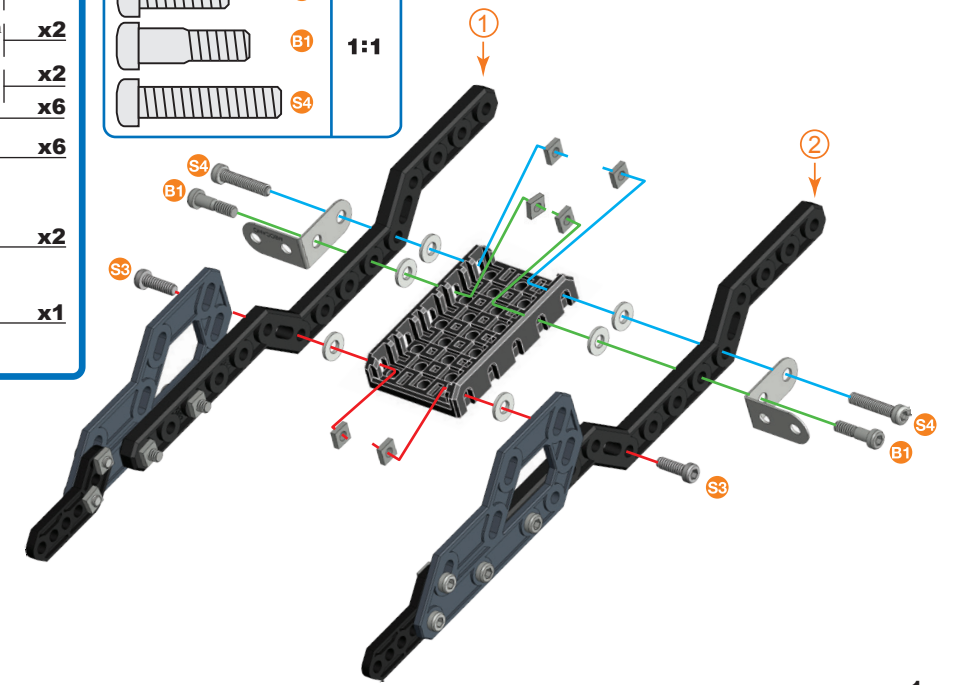
- 2**
- S2** 9.5 mm | 3/8 in | 3/8 po | **x2**
 - B1** 14.7 mm | 37/64 in | 37/64 po | **x2**
 - x4**
 - x1**
 - x1**
 - x1**

- S2**
 - B1**
- 1:1**



- 3** ①+②+
- S3** 12 mm | 1/2 in | 1/2 po | **x2**
 - B1** 14.7 mm | 37/64 in | 37/64 po | **x2**
 - S4** 19 mm | 3/4 in | 3/4 po | **x2**
 - x6**
 - x6**
 - x2**
 - x1**

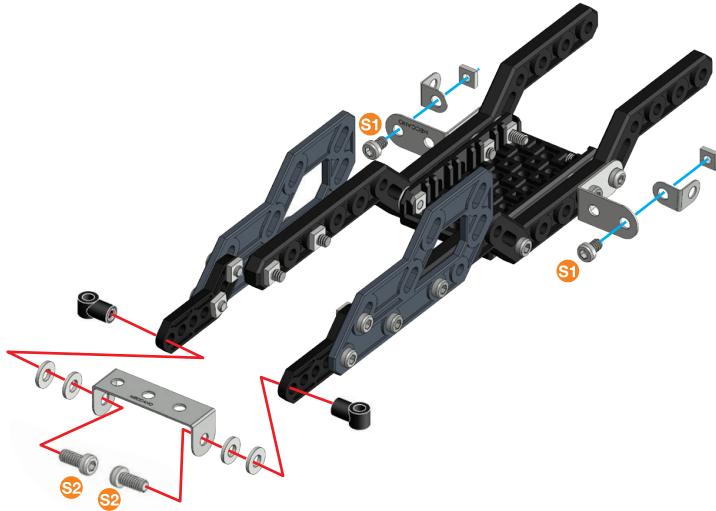
- S3**
 - B1**
 - S4**
- 1:1**



4

	S1	5.8 mm 15/64 in 15/64 po	x2
	S2	9.5 mm 3/8 in 3/8 po	x2
			x2
			x4
			x2
			x2
			x1

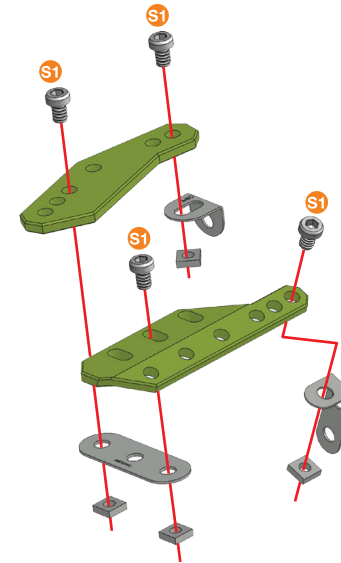
	S1	1:1
	S2	



5

	S1	5.8 mm 15/64 in 15/64 po	x4
			x4
			x1
			x1
			x1
			x1
			x1

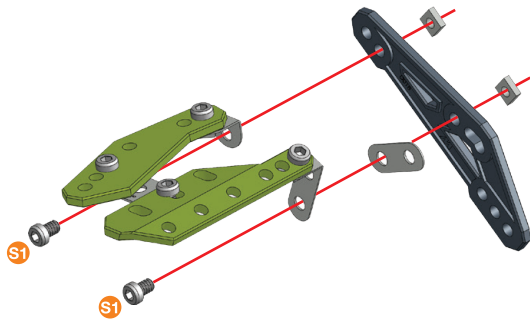
	S1	1:1
--	----	-----



6

	S1	5.8 mm 15/64 in 15/64 po	x2
			x2
			x1
			x1

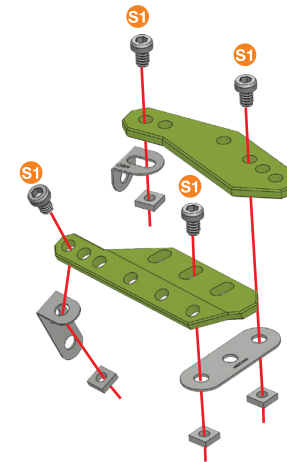
	S1	1:1
--	----	-----







7

	S1	5.8 mm 15/64 in 15/64 po	x4
			x4
			x1
			x1
			x1
			x1
			x1

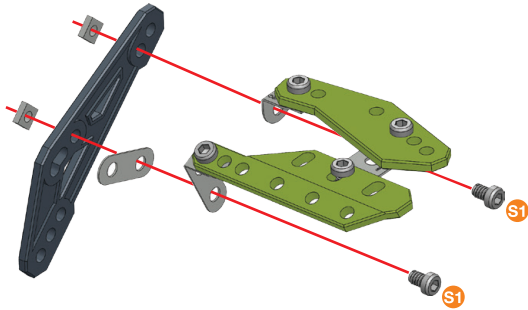
	S1	1:1
--	----	-----



8



	5.8 mm 15/64 in 15/64 po	x2
		x2
		x1
		x1

	S1	1:1
---	----	-----

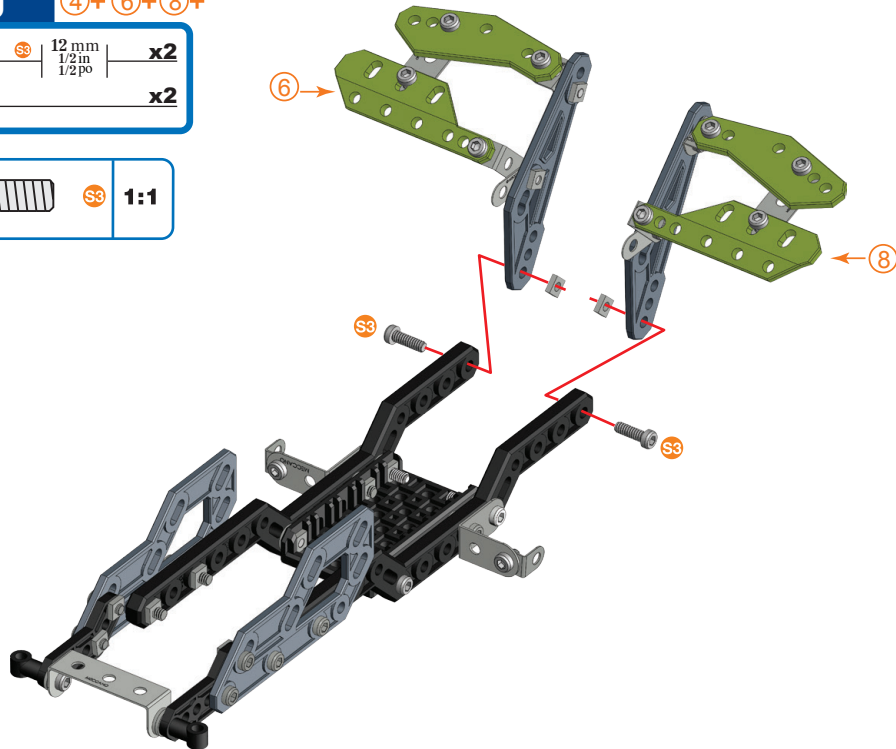


9






④+⑥+⑧+

	12 mm 1/2 in 1/2 po	x2
		x2

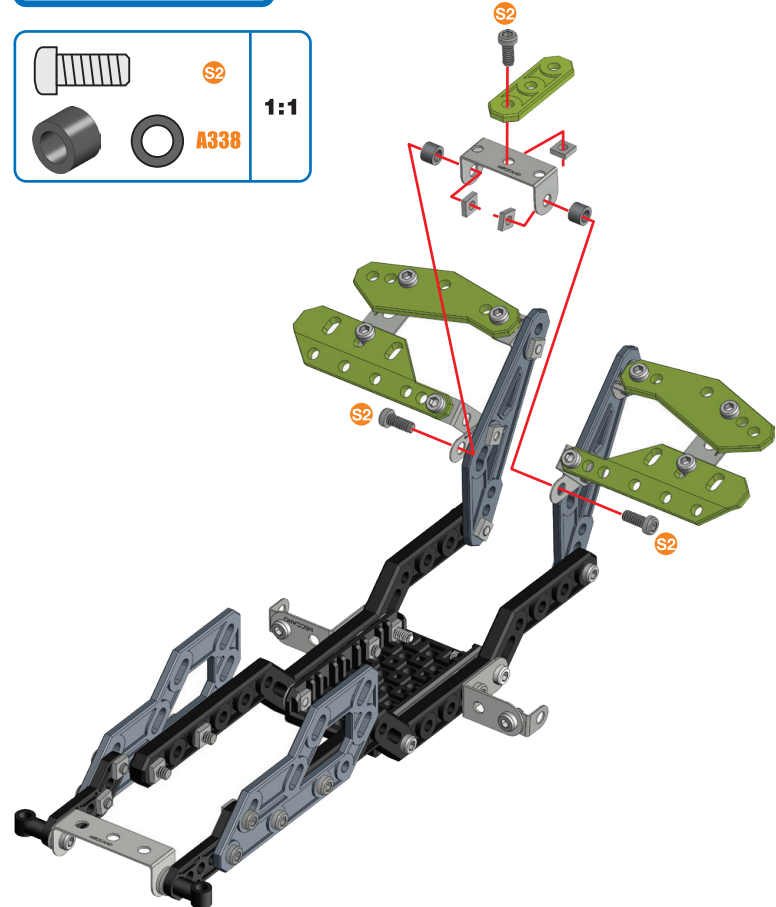
	S3	1:1
---	----	-----



10

	9.5 mm 3/8 in 3/8 po	x3
		x3
		x2
		x1
		x1

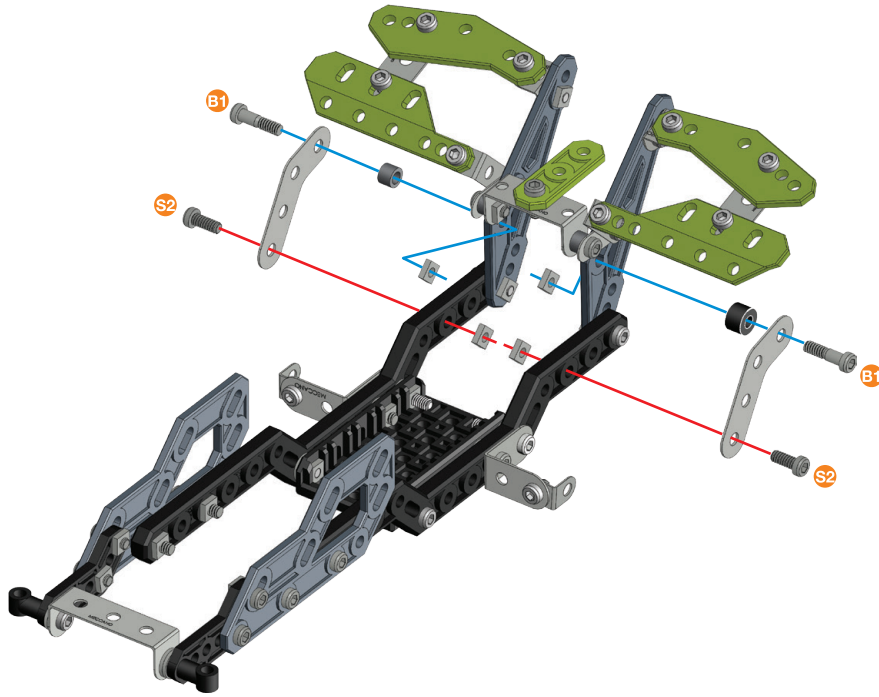
	S2	1:1
	A338	



11

	9.5 mm 3/8 in 3/8 po	x2
	14.7 mm 37/64 in 37/64 po	x2
		x4
		x1
		x1
		x2

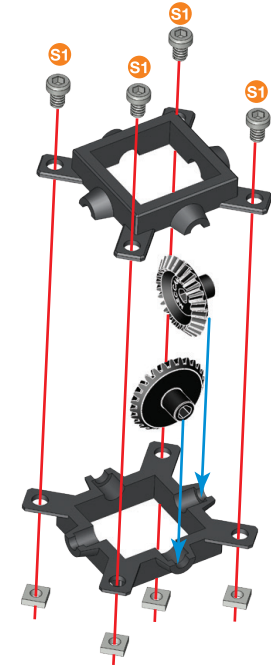
	S2	1:1
	B1	
	A338	
	A238	



12

	5.8 mm 15/64 in 15/64 po	x4
		x4
		x2
		x2

	S1	1:1
--	----	-----

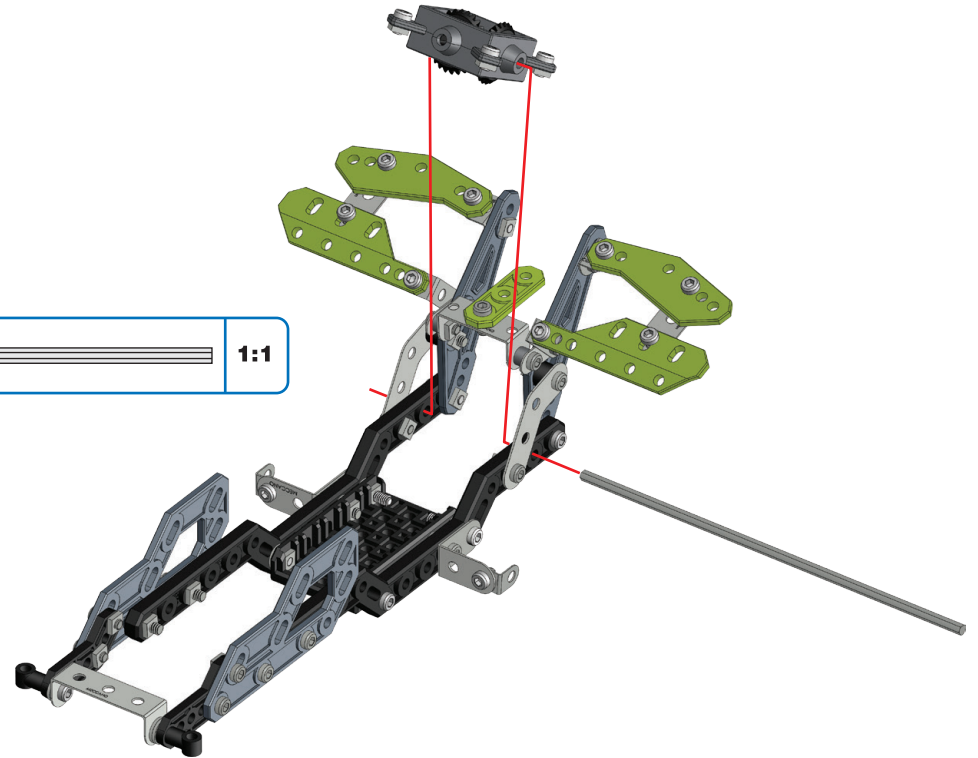


13






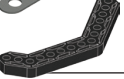
(11)+(12)+

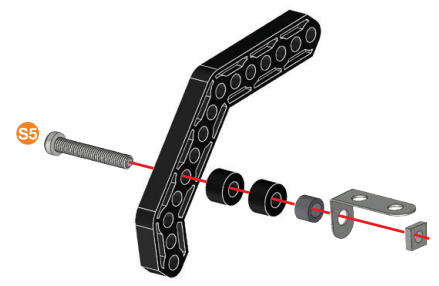
	165 mm 6 1/2 in 6 1/2 po	x1
--	--------------------------------	----






	1:1
--	-----









14

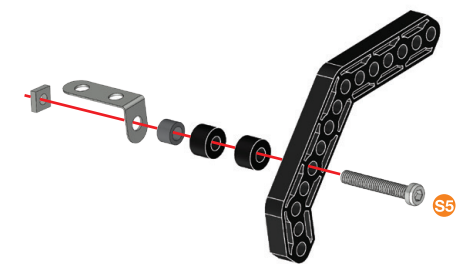
	25.4 mm 1 in 1P0	x1
		x1
		x1
		x2
		x1
		x1








	S5		
		A338	
		A238	1:1
		A338	
		A238	1:1

15



	25.4 mm 1 in 1P0	x1
		x1
		x1
		x2
		x1
		x1




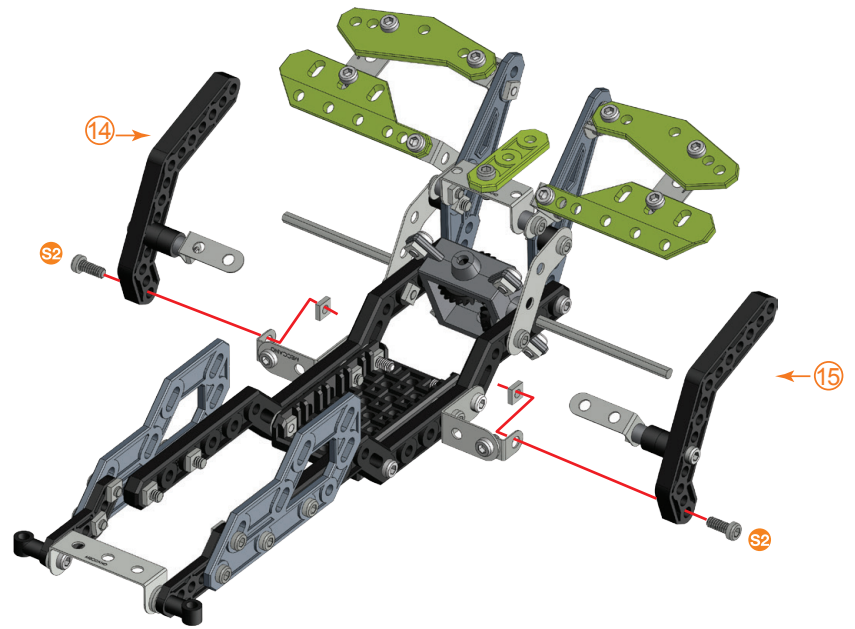
	S5		
		A338	
		A238	1:1
		A338	
		A238	1:1

16

(13)+(14)+(15)+

	9.5 mm 3/8 in 3/8P0	x2
		x2

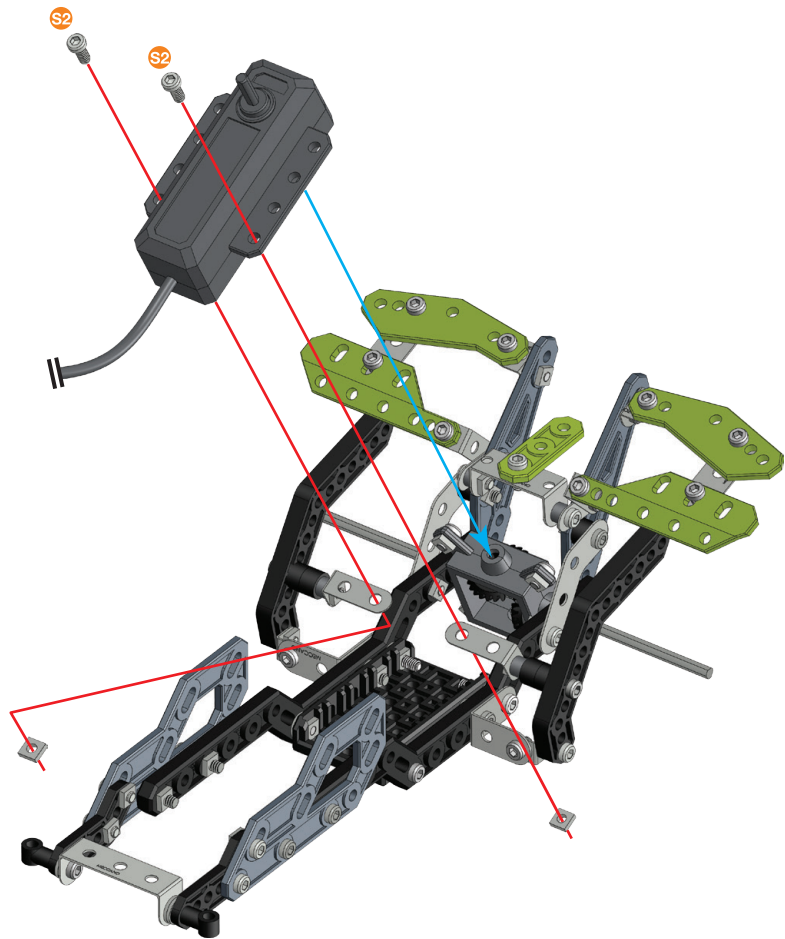
	S2	1:1
---	----	-----



17

- 9.5 mm
3/8 in
3/8 po x2
- x2
- x1

- S2 1:1



18

- 19 mm
3/4 in
3/4 po x2
- x2
- x2

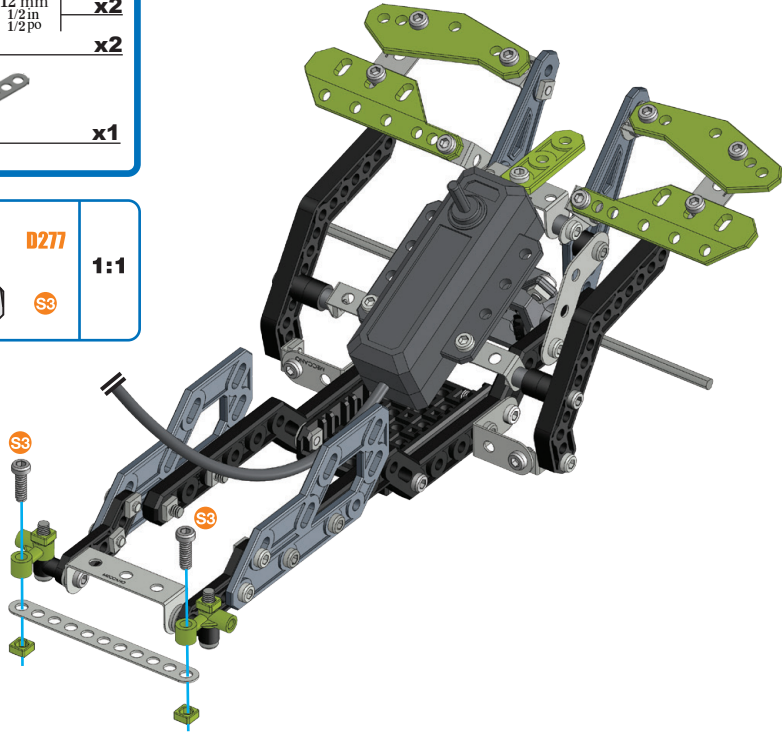
- B2 1:1
- D277



19

- S3 | 12 mm | 1/2 in | 1/2 po | x2
- x2
- x1

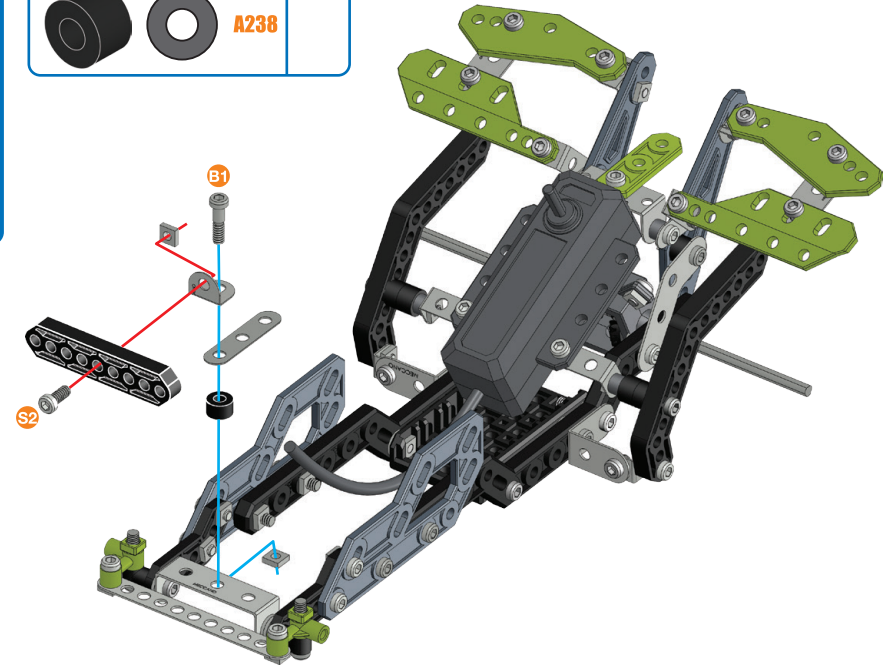
- D277 | 1:1
- S3



20

- S2 | 9.5 mm | 3/8 in | 3/8 po | x1
- B1 | 14.7 mm | 37/64 in | 37/64 po | x1
- x2
- x1
- x1
- x1
- x1

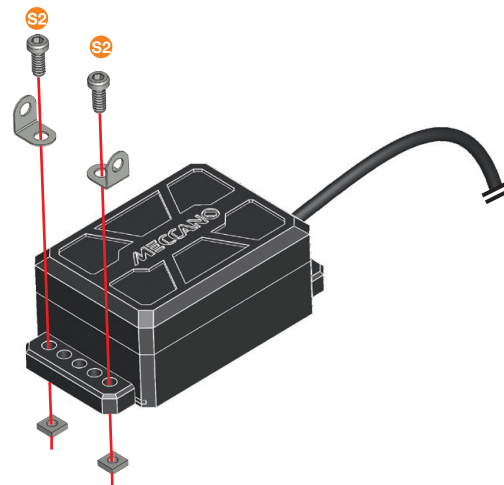
- S2 | 1:1
- B1 | 1:1
- A238



21

- S2 | 9.5 mm | 3/8 in | 3/8 po | x2
- x2
- x2
- x1

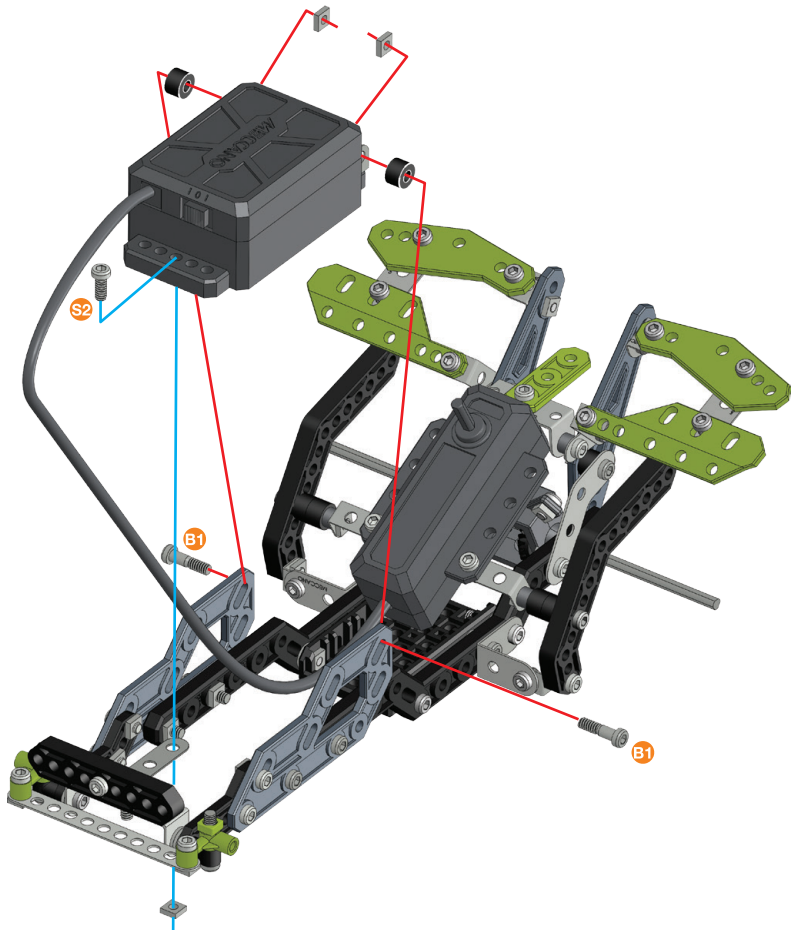
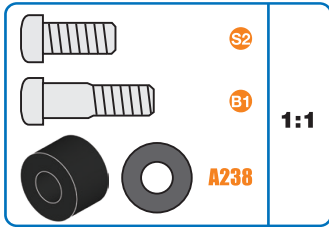
- S2 | 1:1



22

20+21+

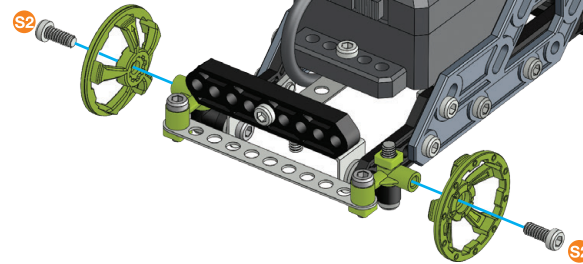
- 9.5 mm 3/8in 3/8po | x1
- 14.7 mm 37/64in 37/64po | x2
- | x3
- | x2



23

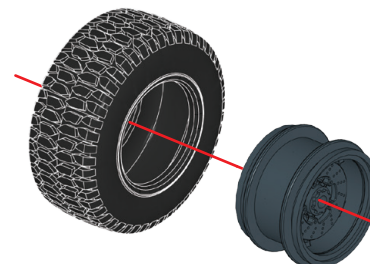
- 9.5 mm 3/8in 3/8po | x2
- | x2

- | x1



24

- | x4
- | x4







x4



25

23+24+

	x3
	x2
	x2
	x2

		A238	1:1
---	---	------	-----

