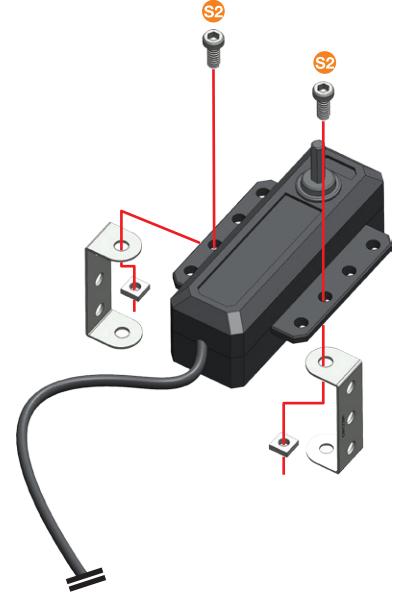
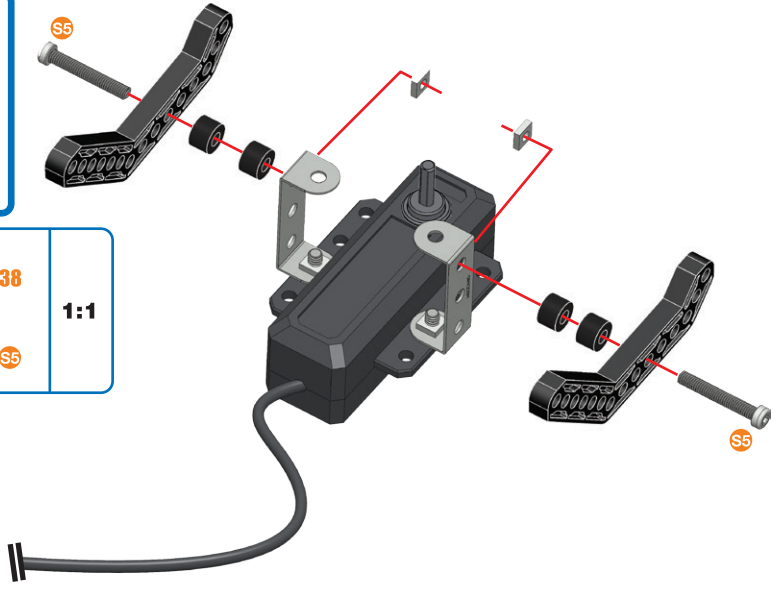


- 1**
- 9.5 mm | 3/8 in | 3/8 po **x2**
 - x2**
 - x2**
 - x1**
- S2** **1:1**

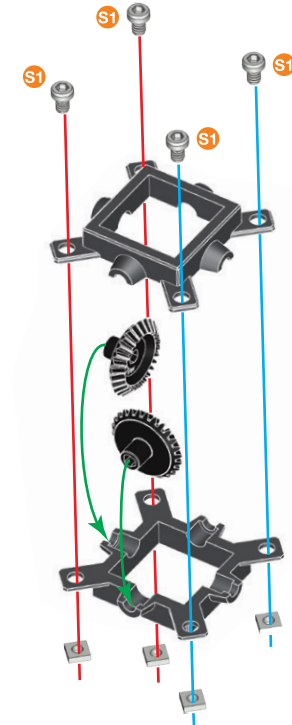


- 2**
- 25.4 mm | 1 in | 1 po **x2**
 - x2**
 - x4**
 - x2**

- A238**
- S5** **1:1**



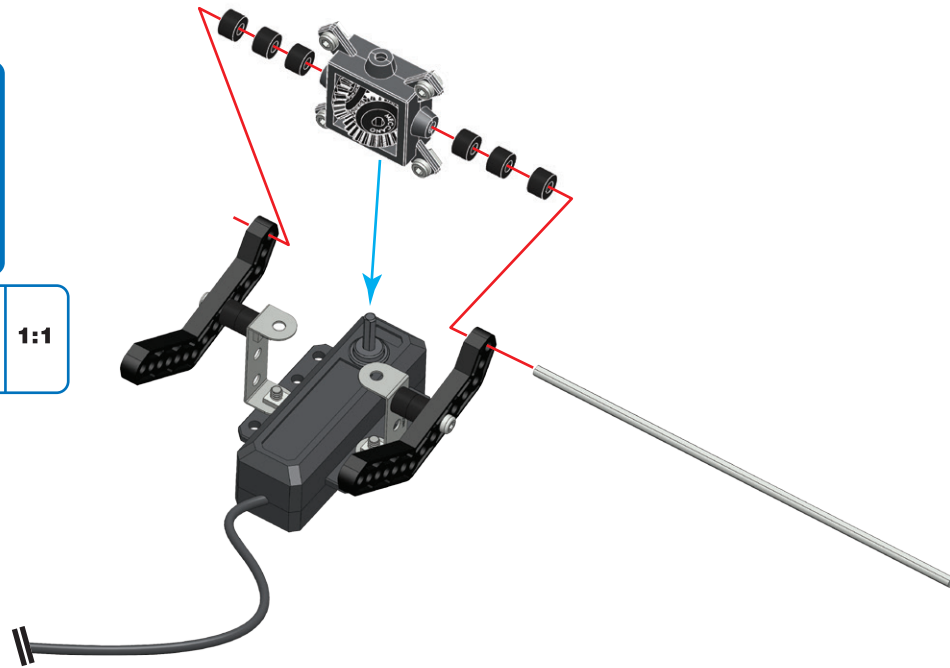
- 3**
- x2**
 - x2**
 - 5.8 mm | 15/64 in | 15/64 po **x4**
 - x4**
- S1** **1:1**



4 ②+③+

	165 mm 6 1/2 in	x1
		x6

	A238	1:1
--	-------------	------------

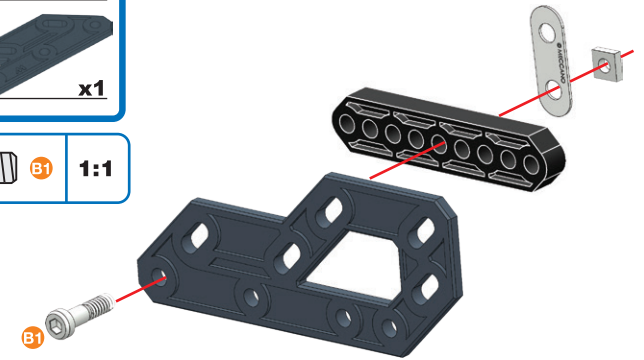


	1:1
--	------------

5

	14.7 mm 37/64 in	x1
		x1
		x1
		x1

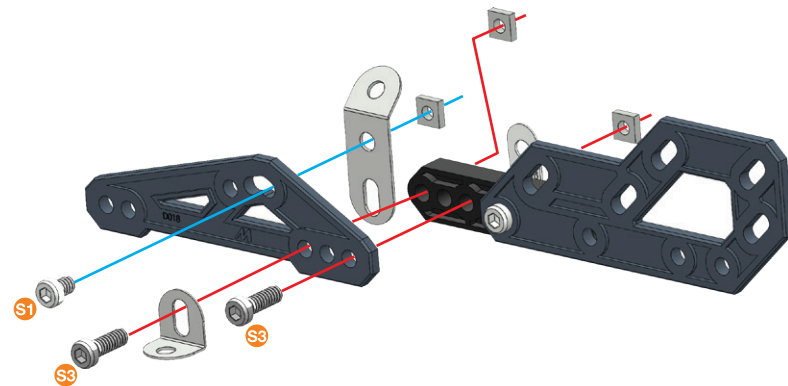
	B1	1:1
--	-----------	------------



6

	5.8 mm 15/64 in	x1
	12 mm 1/2 in	x2
		x3
		x1
		x1
		x1

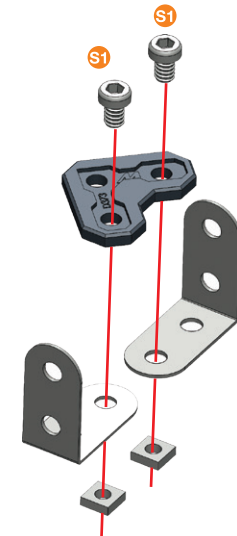
	S3	1:1
	S1	







7

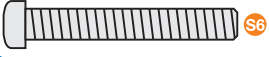
	5.8 mm 15/64 in	x2
		x2
		x1
		x2

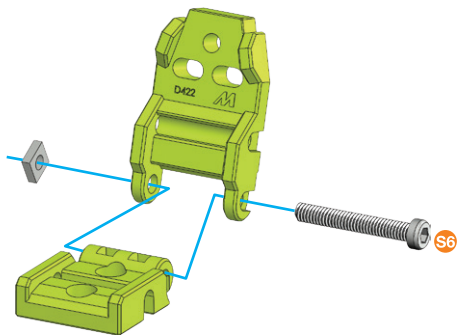
	S1	1:1
--	-----------	------------






8


	28 mm 1 1/8 in 1 1/8 po	x1
		x1
		x1
		x1

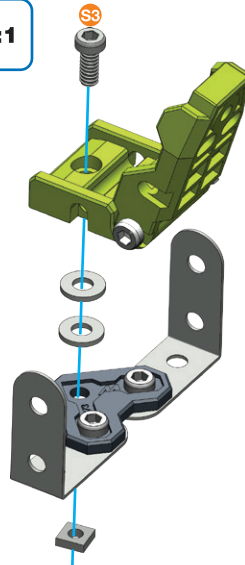
 **S6** **1:1**





9 (7)+(8)+


	12 mm 1/2 in 1/2 po	x1
		x1
		x2

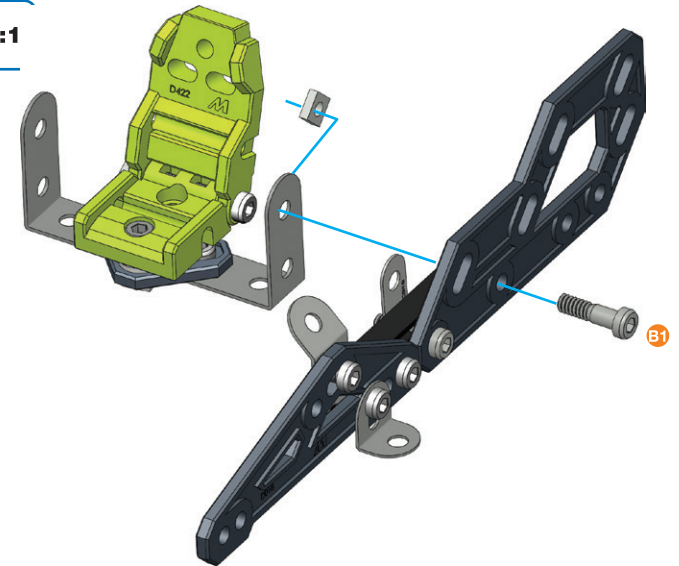
 **S3** **1:1**



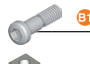




10 (6)+(9)+


	14.7 mm 37/64 in 37/64 po	x1
		x1

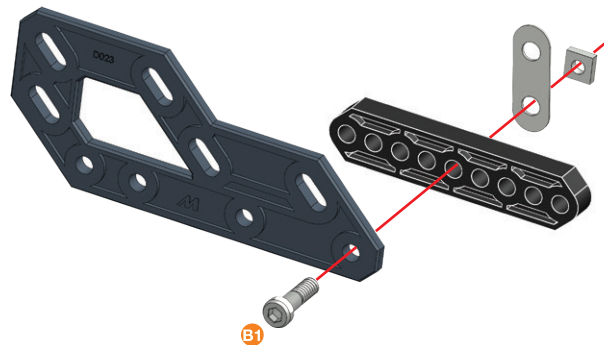
 **B1** **1:1**




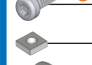




11


	14.7 mm 37/64 in 37/64 po	x1
		x1
		x1
		x1
		x1


 **B1** **1:1**

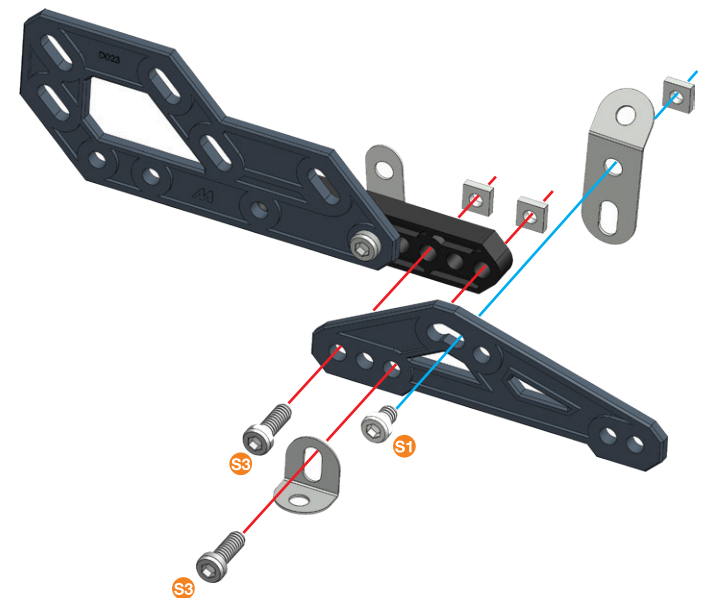


12

	5.8 mm 15/64 in 15/64 po	x1
	12 mm 1/2 in 1/2 po	x2
		x3
		x1
		x1
		x1



 **S3** **1:1**

 **S1** **1:1**

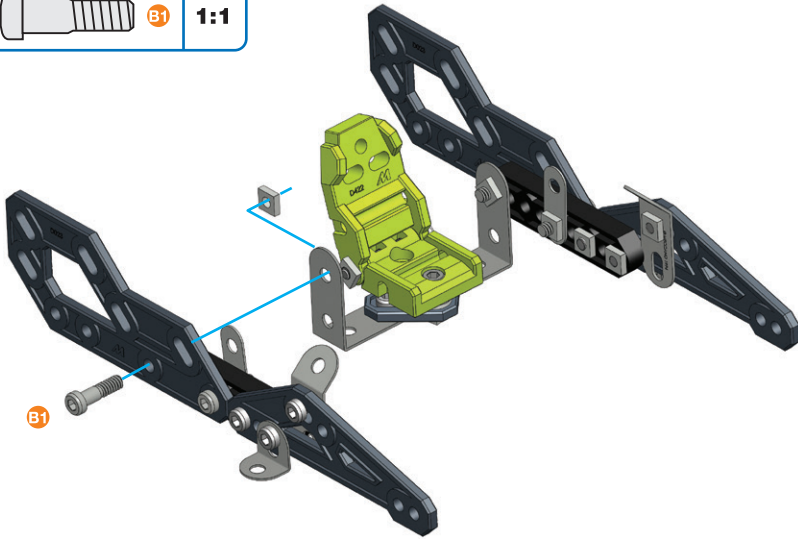


13

⑩+⑫+





	14.7 mm 37/64 in 37/64 po	x1
		x1



	1:1
--	------------

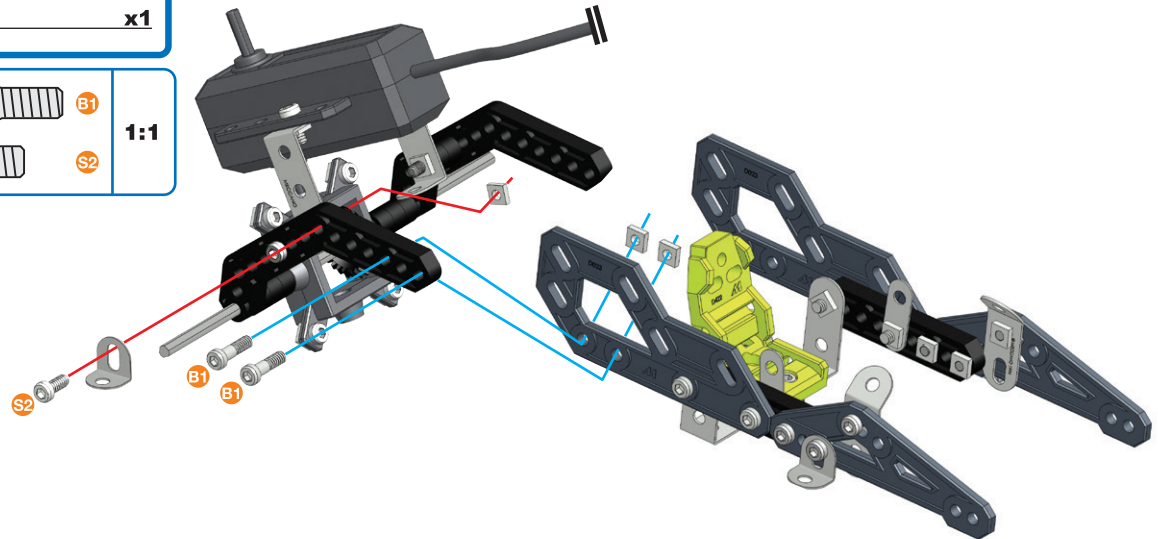


14





④+⑬+

	14.7 mm 37/64 in 37/64 po	x2
	9.5 mm 3/8 in 3/8 po	x1
		x3
		x1


	1:1
	

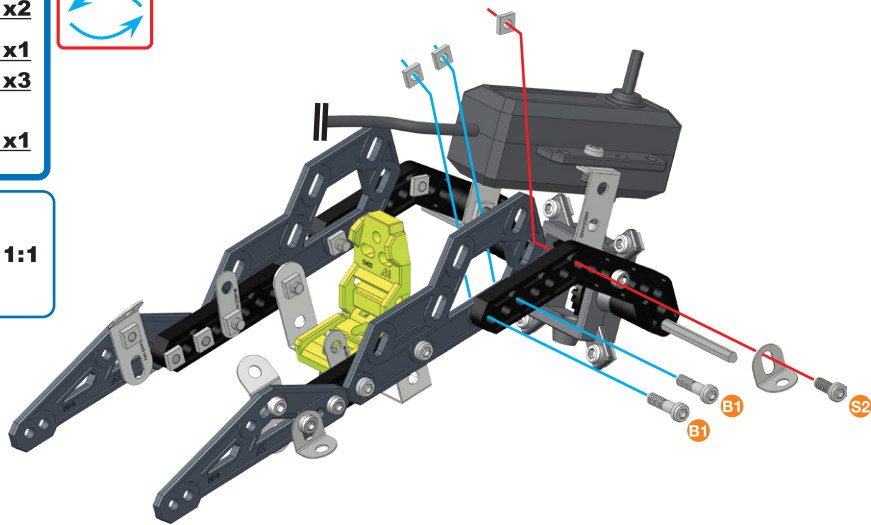


15





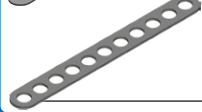
	14.7 mm 37/64 in 37/64 po	x2
	9.5 mm 3/8 in 3/8 po	x1
		x3
		x1



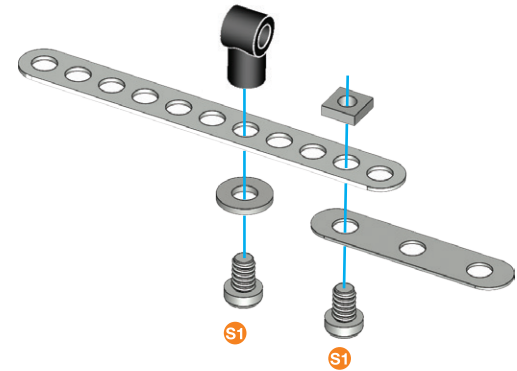
	1:1
	



16

	5.8 mm 15/64 in 15/64 po	x2
		x1
		x1
		x1
		x1

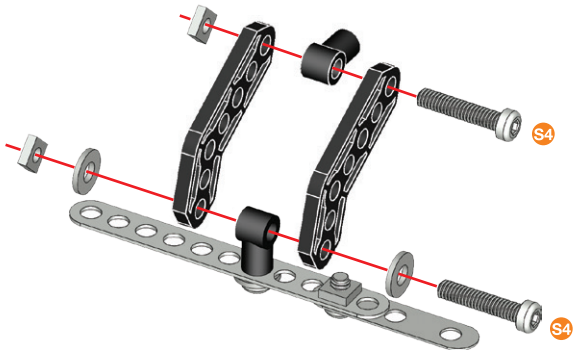
	1:1
---	------------



17

- 19 mm $\frac{3}{4}$ in $\frac{3}{4}$ po x2
- x2
- x1
- x2
- x2

- 1:1



18

- 19 mm $\frac{3}{4}$ in $\frac{3}{4}$ po x1
- x1
- x2

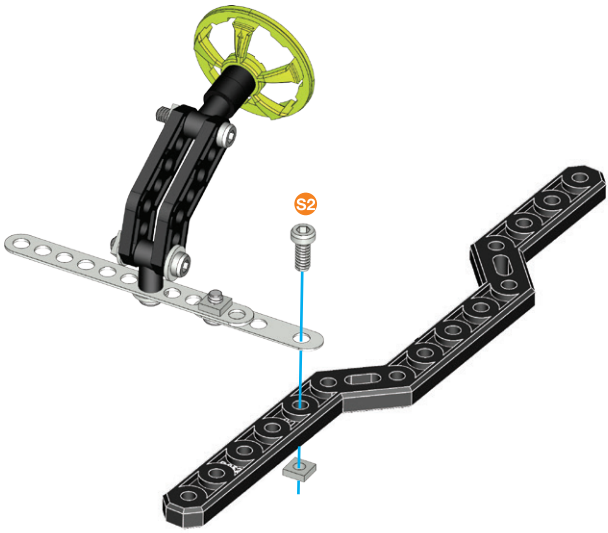
- A238
- 1:1



19

- 9.5 mm $\frac{3}{8}$ in $\frac{3}{8}$ po x1
- x1
- x1

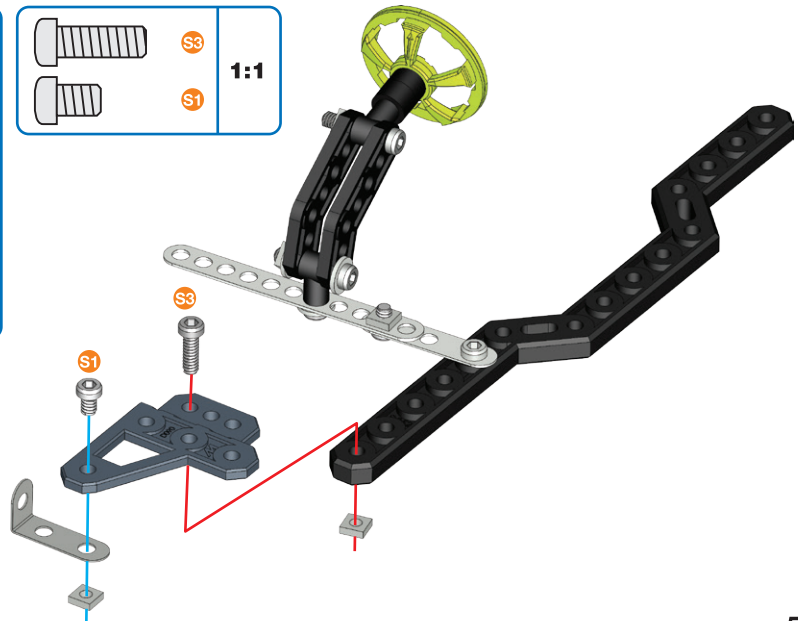
- 1:1



20



- 5.8 mm $\frac{15}{64}$ in $\frac{15}{64}$ po x1
- 12 mm $\frac{1}{2}$ in $\frac{1}{2}$ po x1
- x2
- x1
- x1

- 1:1
- 1:1

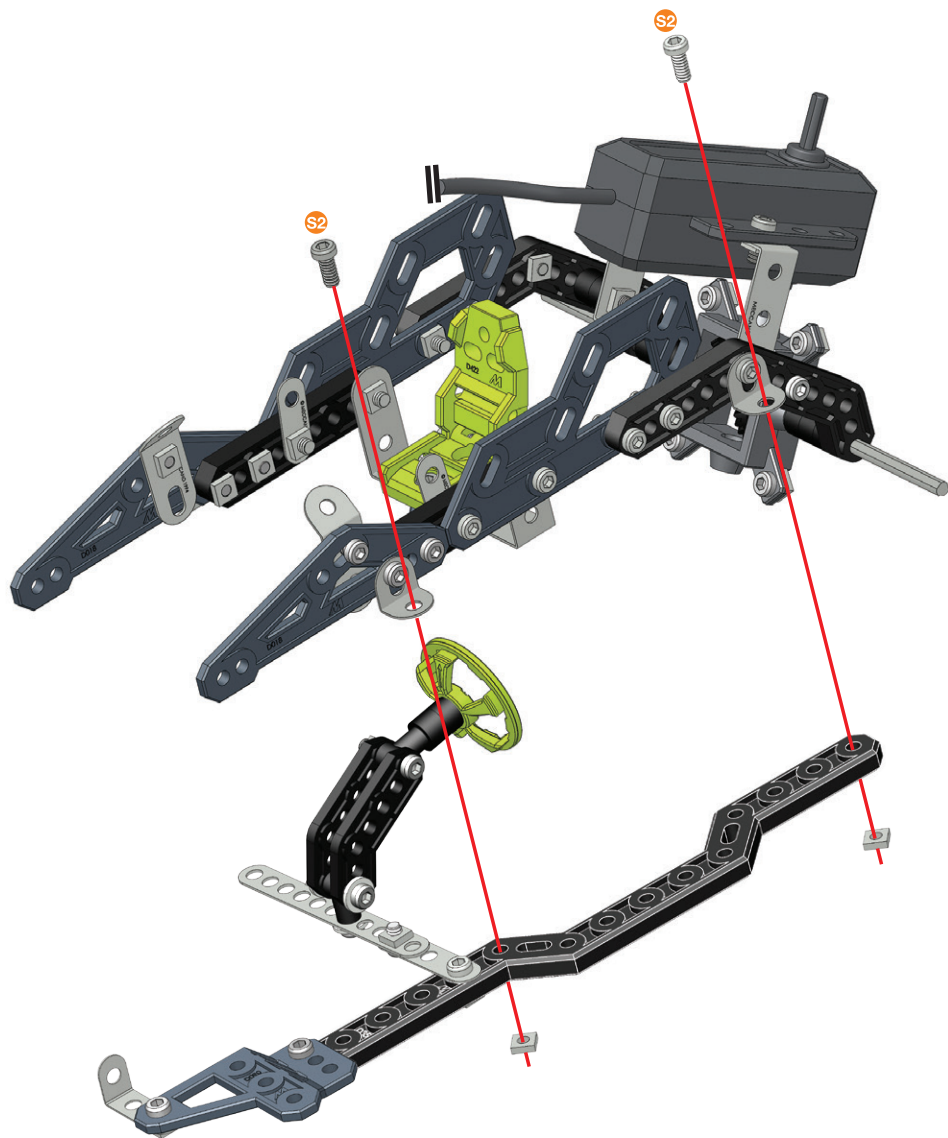


21

(15)+(20)+

	9.5 mm 3/8 in	x2
	3/8 in 3/8 po	x2

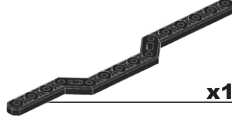
	S2	1:1
--	----	-----



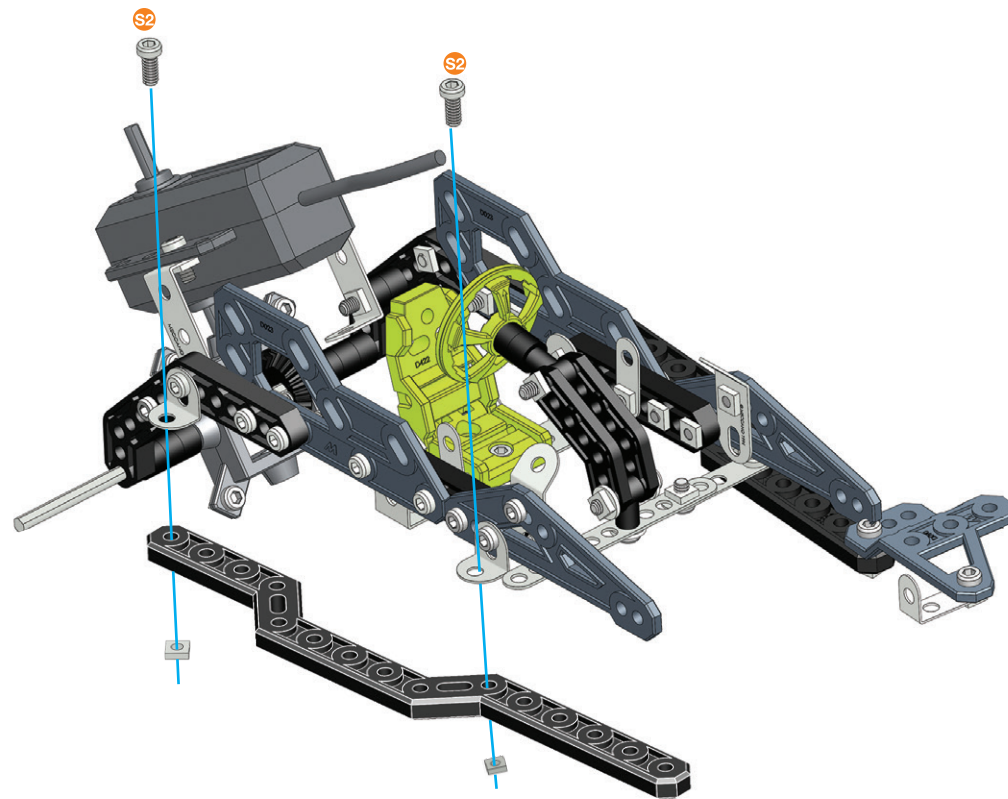
22

	9.5 mm 3/8 in	x2
	3/8 in 3/8 po	x2



	x1
---	----

	S2	1:1
---	----	-----

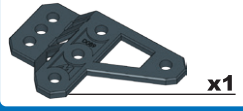


23

- 5.8 mm 15/64 in x1
- 9.5 mm 3/8 in x1
- 12 mm 1/2 in x1
- x3

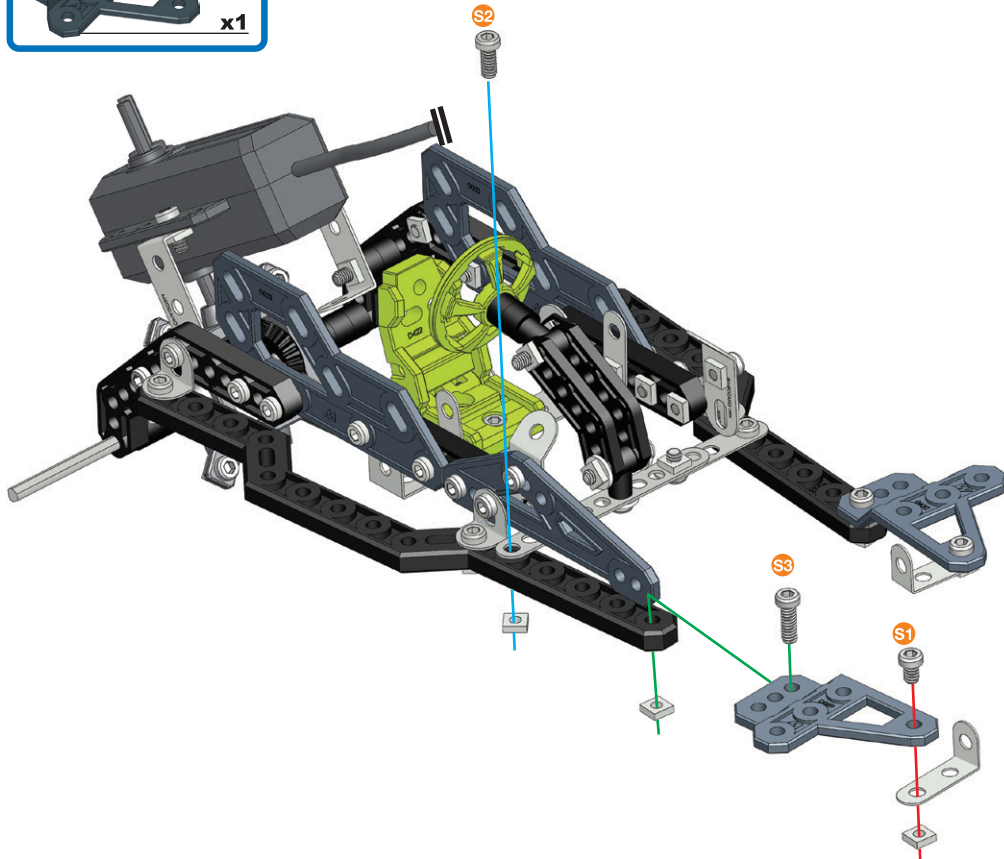


x1



x1

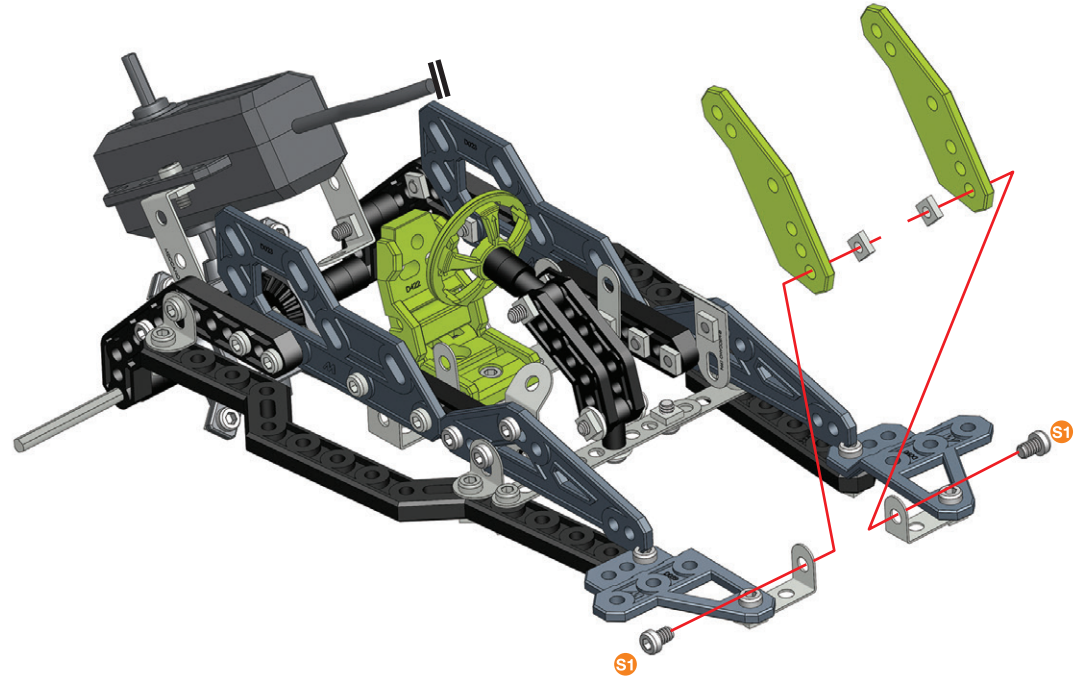
	S3	1:1
	S2	
	S1	





24

- 5.8 mm 15/64 in x2
- x2

	S1	1:1
--	----	-----



25

	9.5 mm 3/8 in 3/8 po	x2
		x2

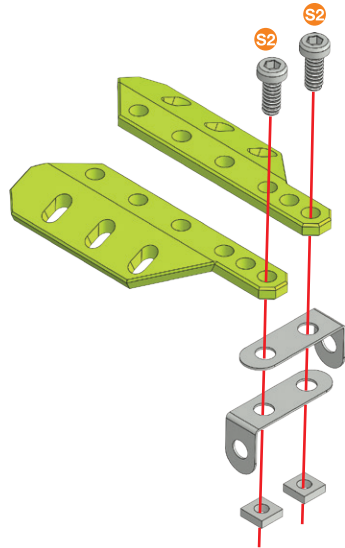
		x2
--	--	-----------



		x1
--	--	-----------

		x1
--	--	-----------

		x1
--	--	-----------

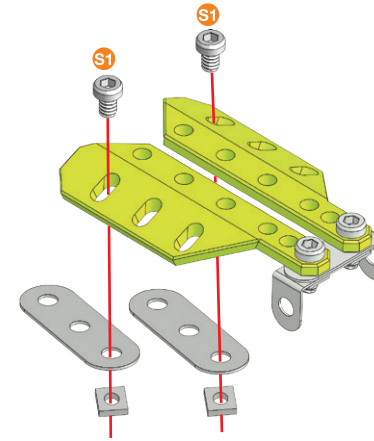
		1:1
--	--	------------



**26**

	5.8 mm 15/64 in 15/64 po	x2
		x2

		x2
---	--	-----------

		1:1
---	--	------------

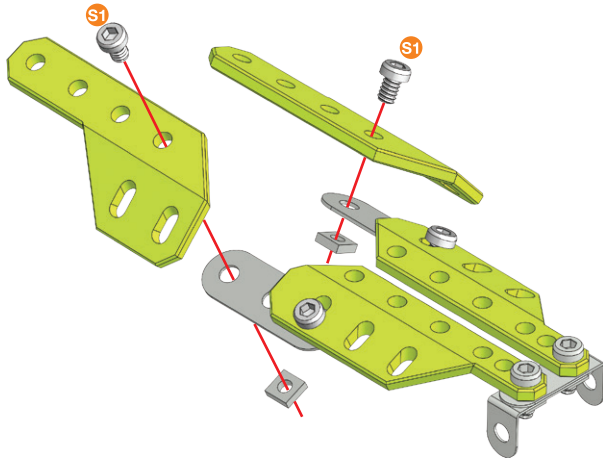
**27**

	5.8 mm 15/64 in 15/64 po	x2
		x2




		x1
--	--	-----------



		x1
---	--	-----------

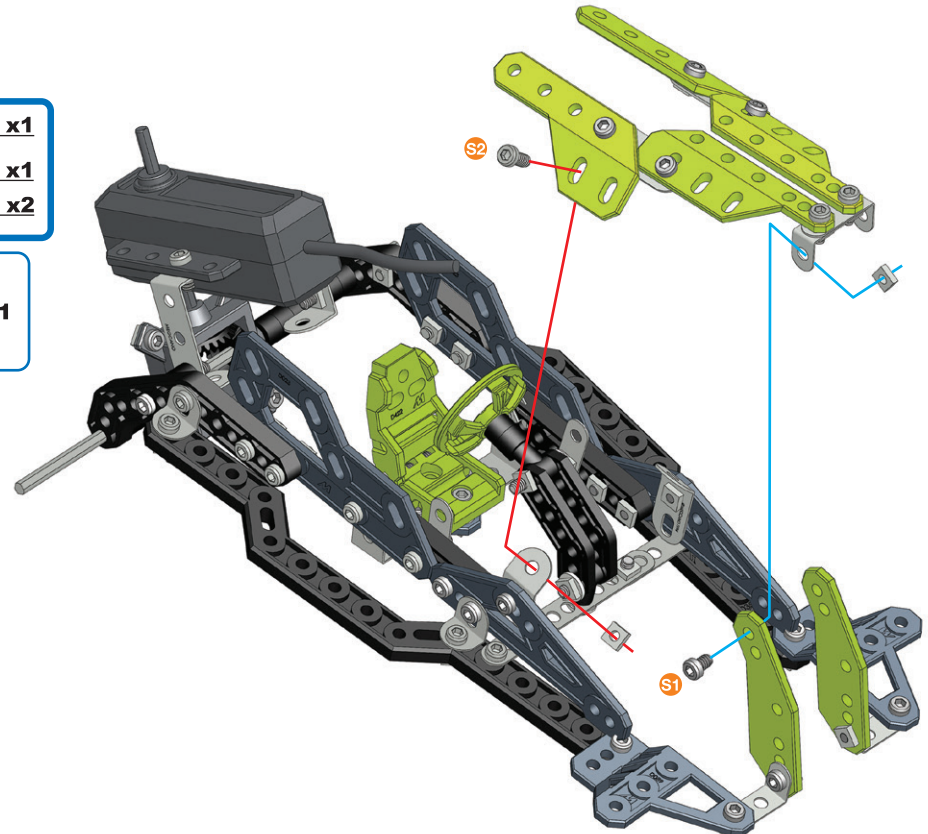
		1:1
--	--	------------

**28**

24+27+

	5.8 mm 15/64 in 15/64 po	x1
	9.5 mm 3/8 in 3/8 po	x1
		x2

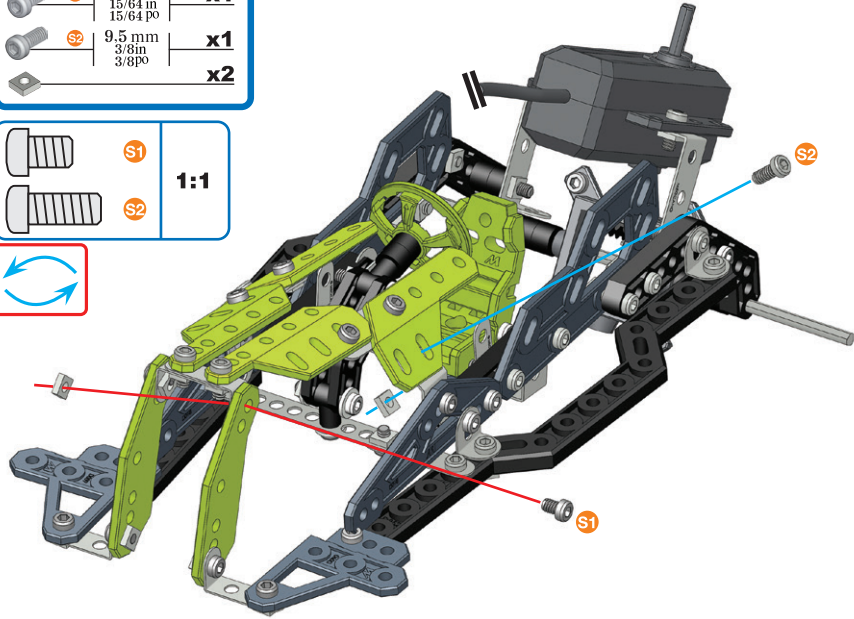
		1:1
		1:1



29

- 5.8 mm | 15/64 in | 15/64 po | **x1**
- 9.5 mm | 3/8 in | 3/8 po | **x1**
- x2**

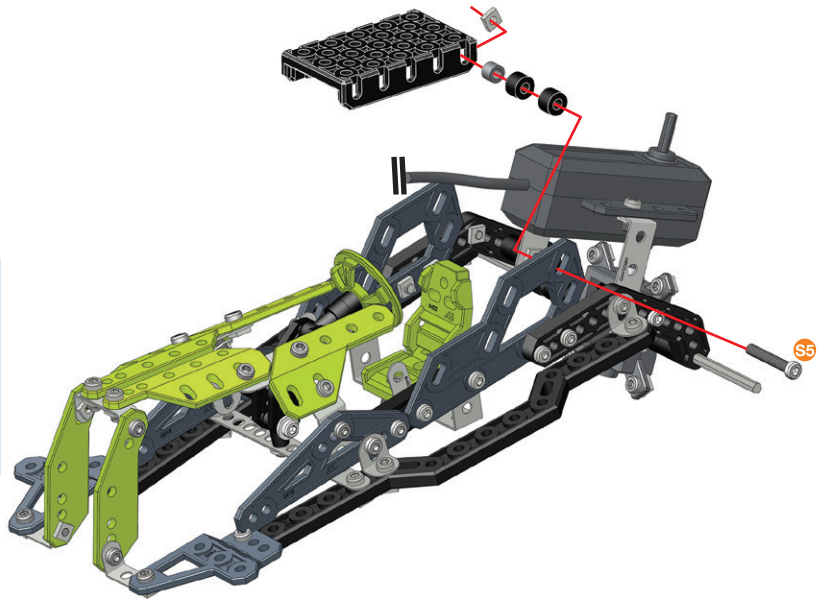
- S1**
 - S2**
- 1:1**



30

- 25.4 mm | 1 in | 1 po | **x1**
- x1**
- x1**
- x2**
- x1**

- S5**
 - A338**
 - A238**
- 1:1**

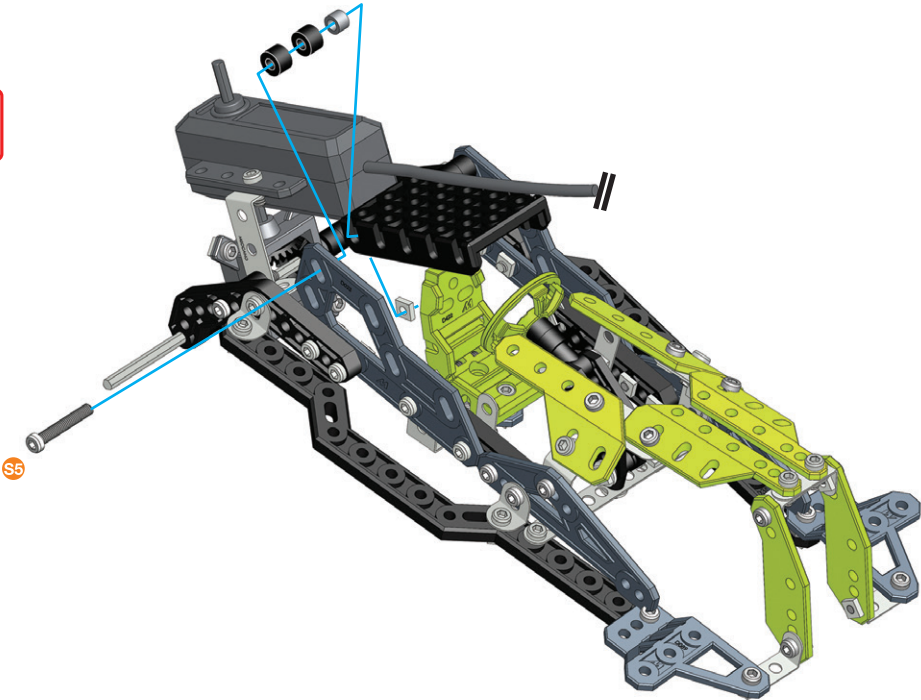


31

- 25.4 mm | 1 in | 1 po | **x1**
- x1**
- x1**
- x2**

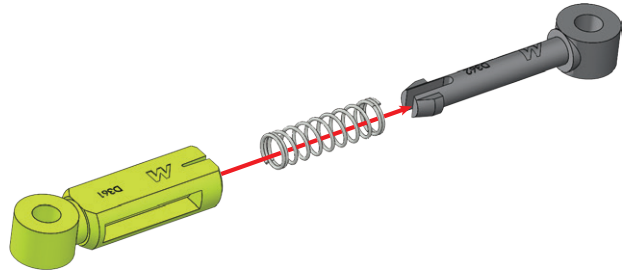
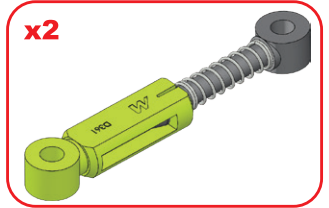


- S5**
 - A338**
 - A238**
- 1:1**








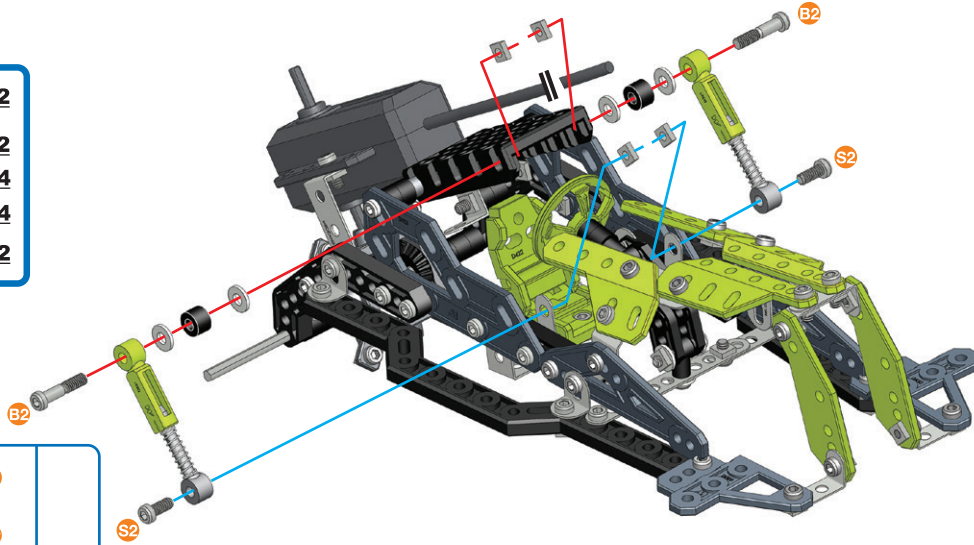
32




- x2**
- x2**
- x2**







33**(31)+(32)+**

	19 mm 3/4 in 3/4 po	x2
	9.5 mm 3/8 in 3/8 po	x2
		x4
		x4
		x2

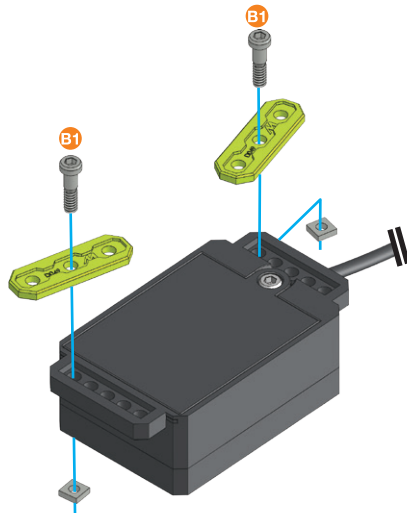




	S2	1:1
	B2	
	A238	

34

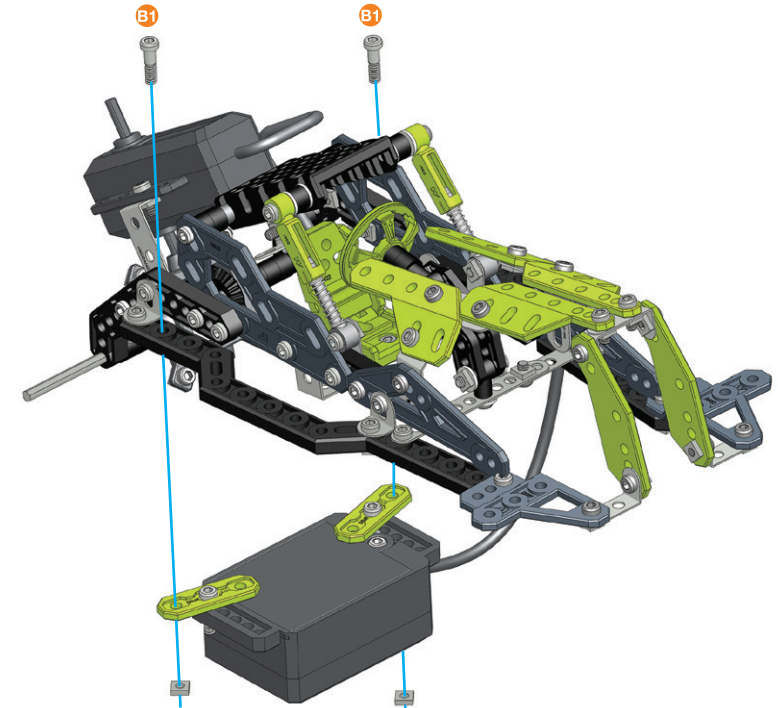
	14.7 mm 37/64 in 37/64 po	x2
		x2
		x2
		x1

	B1	1:1
--	-----------	------------

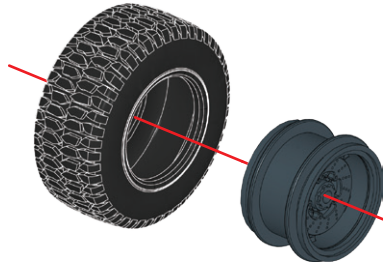
**35****(33)+(34)+**

	14.7 mm 37/64 in 37/64 po	x2
		x2

	B1	1:1
---	-----------	------------



36

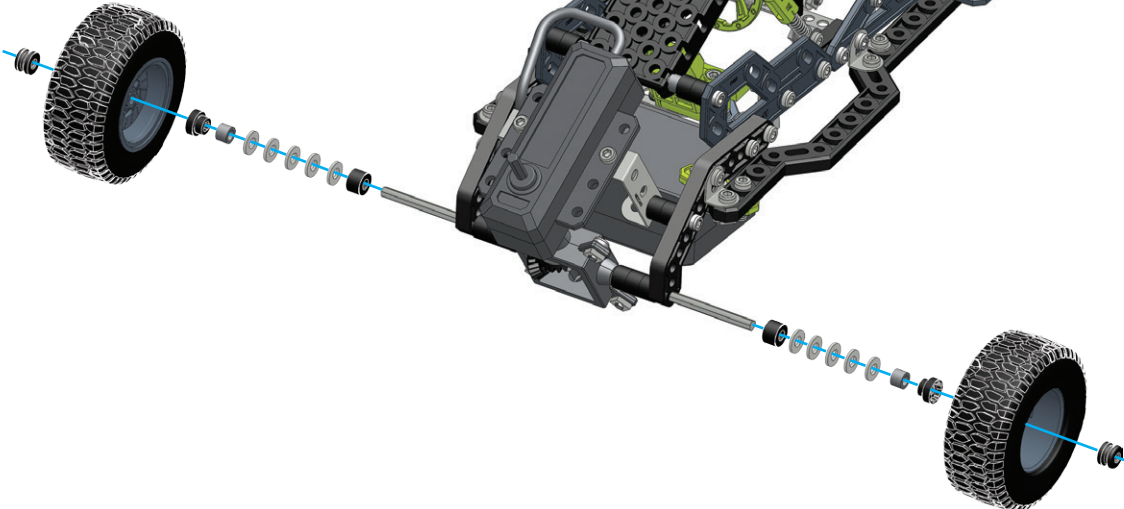
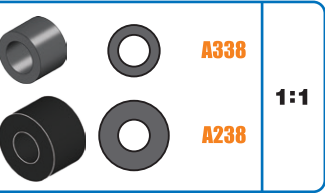


x3



37

35+36+



38

36+37+

