

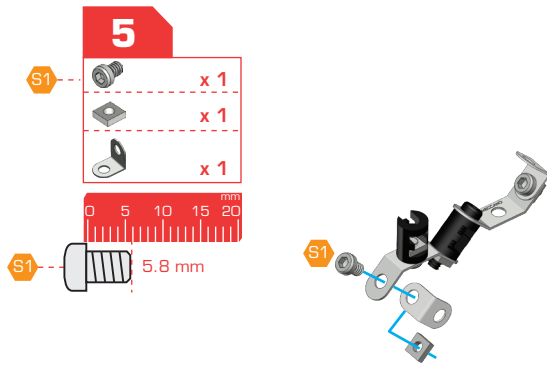
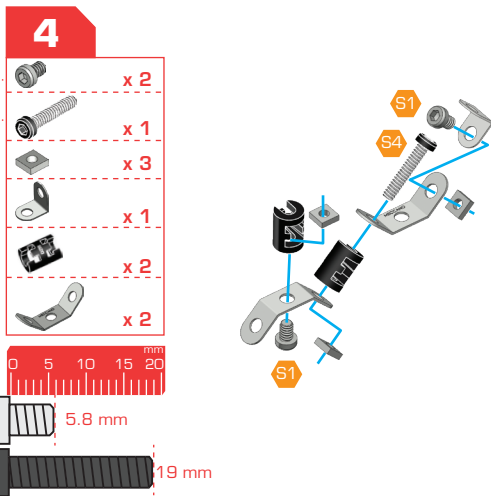
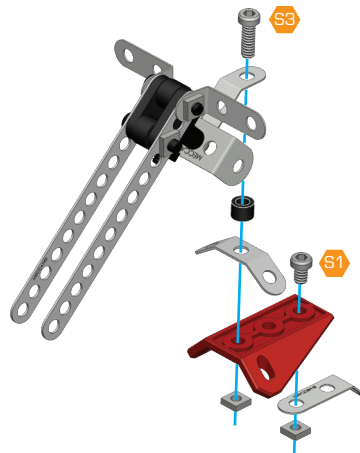
1

S1		x 1
B2		x 1
		x 1
		x 1
		x 1
		x 1
		x 1


2

S4		x 2
		x 2
		x 2
		x 2
		x 2

		A238 1:1
--	--	-----------------

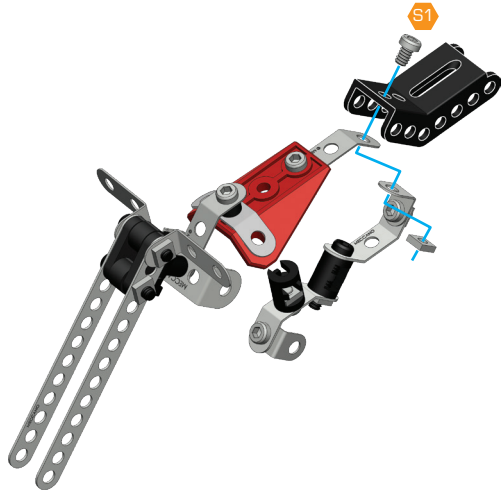


6 3+5





	x 1
	x 1
	x 1

0 5 10 15 20 mm

 5.8 mm





7

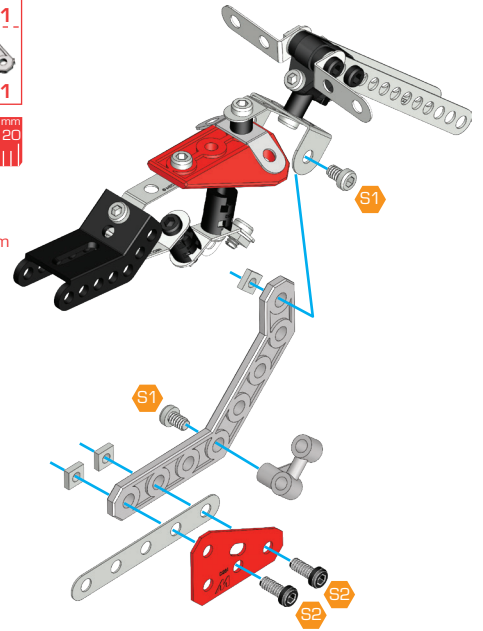
	x 2
	x 2
	x 3
	x 1
	x 1
	x 1
	x 1

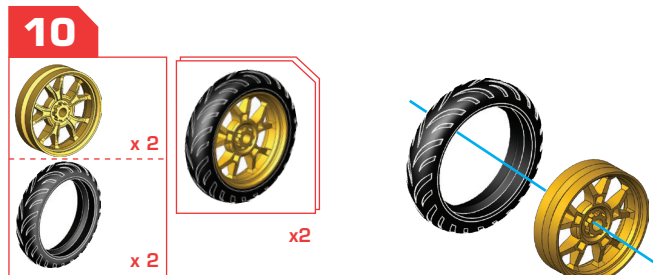
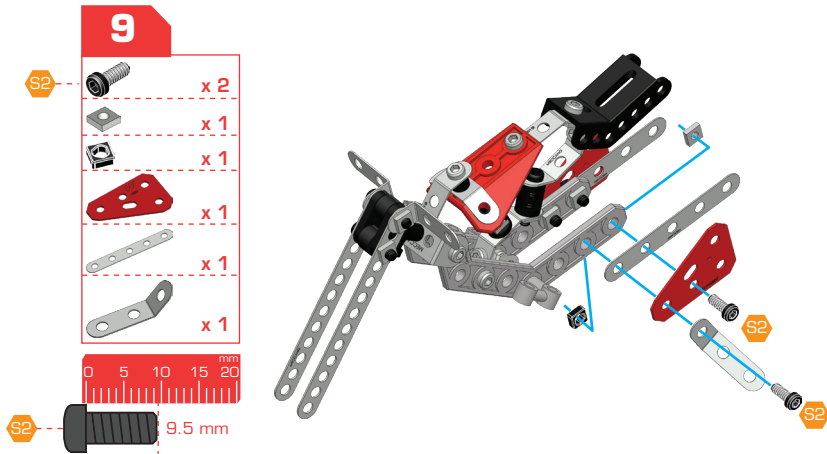
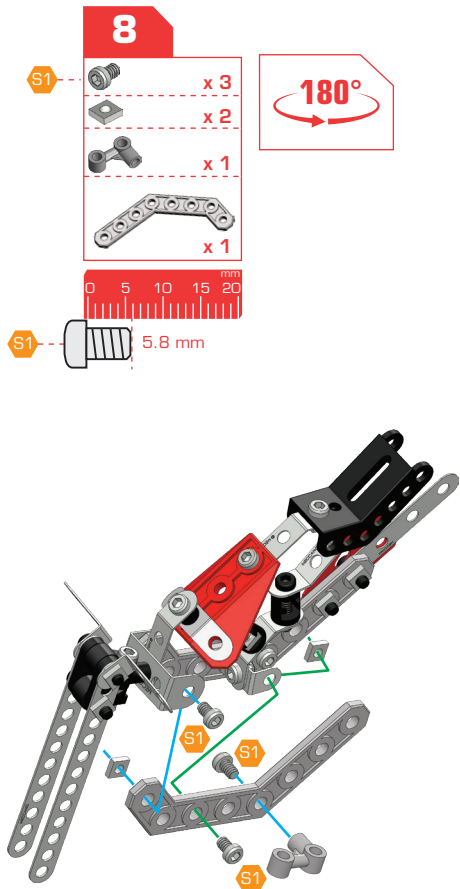


0 5 10 15 20 mm

 5.8 mm

 9.5 mm





11

9+10

S6



x 1

x 2

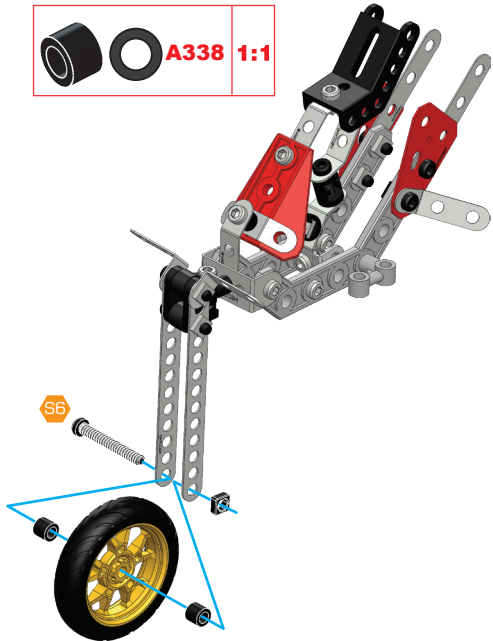
x 1



S6

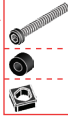


28 mm

**A338 1:1****12**

10+11

S6



x 1

x 2

x 1



S6



28 mm

**A238 1:1****180°**