

MECCANOTM
ENGINEERING & ROBOTICS

19204



STEAM

SUPER TRUCK

15 IN EN **1**

MODELS • MODÈLES



10+

EN Instructions FR Notice de montage ES Instrucciones de construcción

DE Bauanleitung NL Bouwinstructie IT Istruzioni PT Instruções

RU Инструкции PL Instrukcja CZ Pokyny SK Pokyny HU Útmutató

RO Instrucțiuni EL Οδηγίες HR Upute BG Инструкции SL Navodila



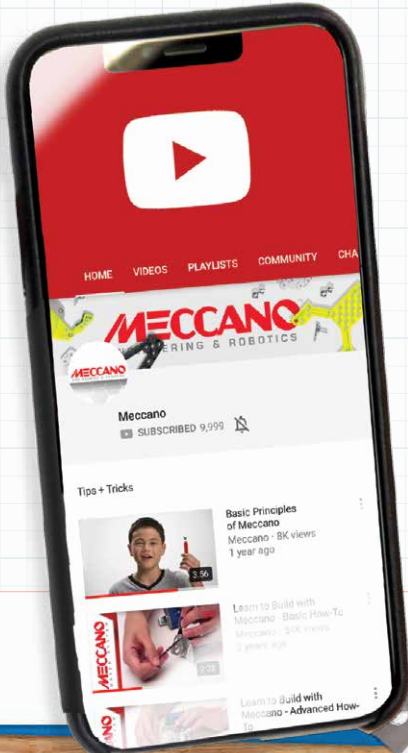
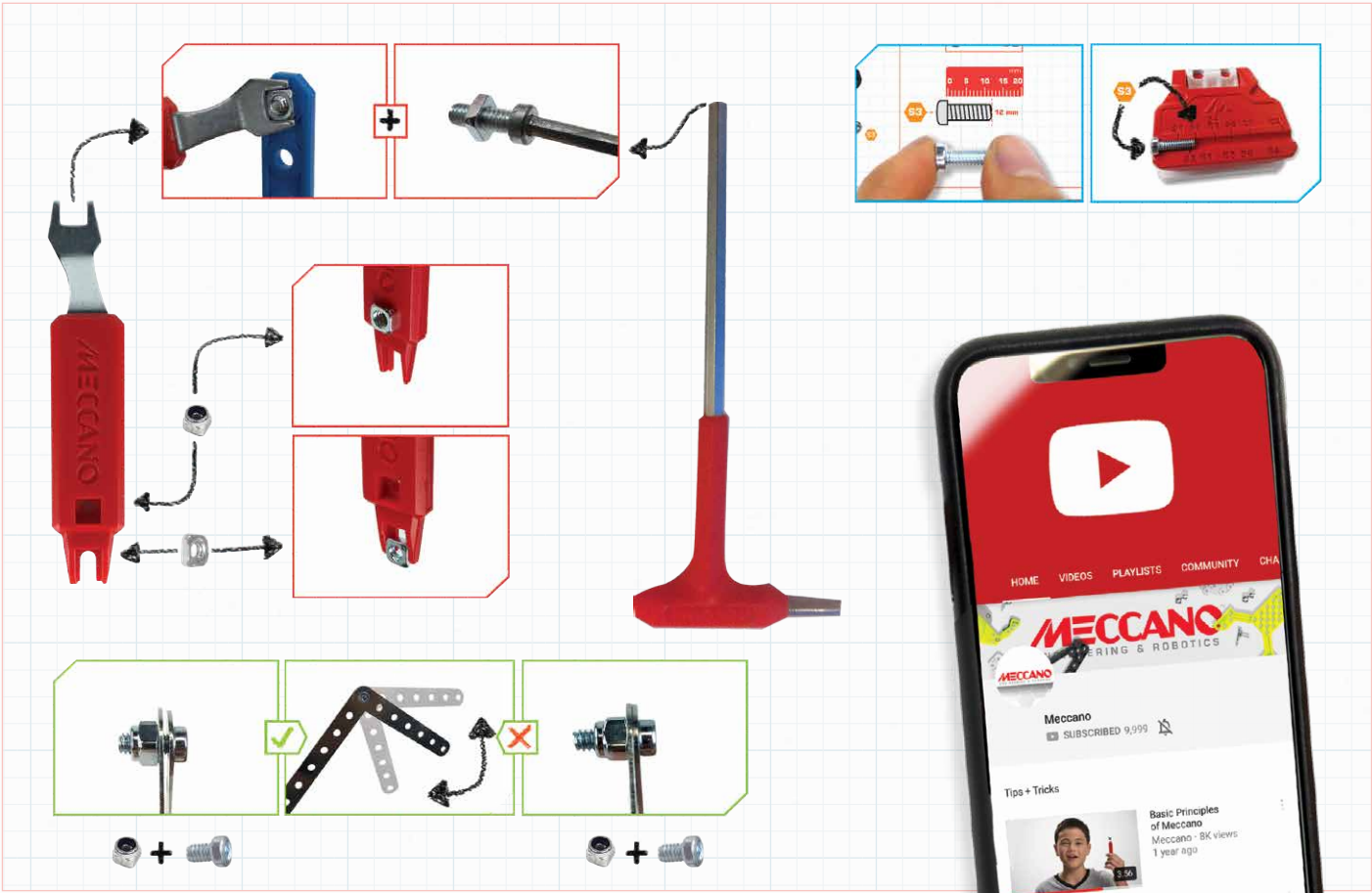


TABLE OF CONTENTS / SOMMAIRE

ÍNDICE / INHALTSVERZEICHNIS / INHOUD / INDICE / СОДЕРЖАНИЕ / SPIS TREŚCI / OBSAH
TARTALOMJEGYZÉK / CUPRINS / ΠΙΝΑΚΑΣ ΠΕΡΙΕΧΟΜΕΝΩΝ / SADRŽAJ / СЪДЪРЖАНИЕ / VSEBINA

AVAILABLE ONLINE / DISPONIBLES EN LIGNE

DISPONIBLES EN LÍNEA / ONLINE VERFÜGBAR / ONLINE VERKRIJGBAAR / DISPONIBILI ONLINE

DISPONÍVEL ONLINE / ДОСТУПНИ ОНЛАЙН / DOSTĘPNE W INTERNECIE

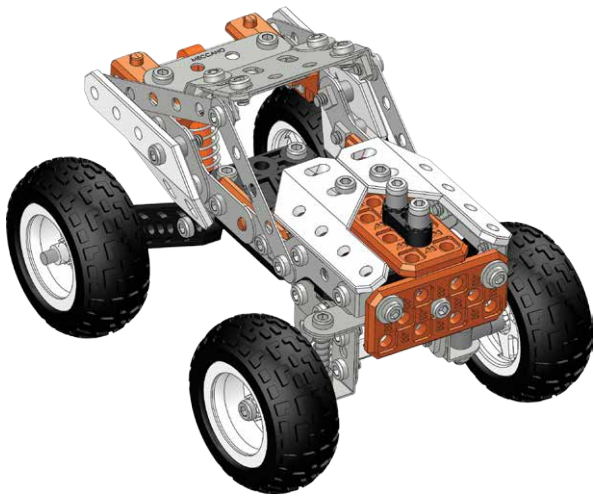
K DISPOZICJI ONLINE / DOSTUPNÝ ONLINE / ONLINE ELÉRHETŐ / DISPONIBILE ONLINE

ΔΙΑΤΙΘΕΝΤΑΙ ΣΤΟ ΔΙΑΔΙΚΤΥΟ / DOSTUPNO NA INTERNETU / ДОСТЪПНО ОНЛАЙН / NA VOLJO NA SPLETU



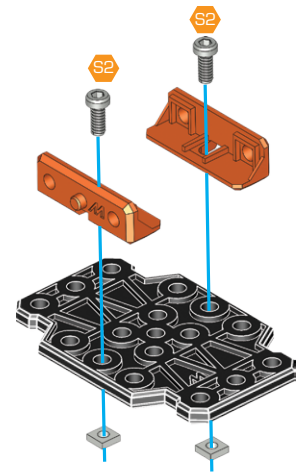
- EN.** Content: 242 parts, 2 real tools and 1 instruction sheet for 3 models.
FR. Contenu : 242 pièces, 2 vrais outils et 1 notice de montage pour 3 modèles.
ES. Contenido: 242 piezas, 2 herramientas reales y 1 guía de instrucciones para 3 modelos.
DE. Inhalt: 242 Teile, 2 echte Werkzeuge und 1 Bauanleitung für 3 Modelle.
NL. Inhoud: 242 onderdelen, 2 stuks gereedschap en 1 bouw instructie voor 3 modellen.
IT. Contenuto: 242 pezzi, 2 attrezzi e 1 guida per l'uso per 3 modelli.
PT. Conteúdo: 242 peças, 2 ferramentas reais e 1 folha de instruções para 3 modelos.
RU. В комплекте: 242 детали, 2 настоящих инструмента и 1 инструкция по сборке 3 моделей.
PL. Zawartość: 242 elementy, 2 prawdziwe narzędzia i 1 karta z instrukcjami dla 3 modeli.
CZ. Obsah: 242 dílů, 2 skutečné nástroje a 1 list s pokyny pro 3 modely.
SK. Obsah: 242 dielov, 2 skutočné nástroje a 1 hárok s pokynmi pre 3 modely.
HU. Tartalom: 242 db alkatrész, 2 db valódi szerszám és 1 db 3 modellhez tartozó felhasználói útmutató.
RO. Conținut: 242 de piese, 2 instrumente reale și 1 fișă cu instrucțiuni pentru 3 modele.
EL. Περιεχόμενα: 242 κομμάτια, 2 πραγματικά εργαλεία και 1 φυλλάδιο οδηγιών για 3 μοντέλα.
HR. Sadržaj: 242 dijela, 2 prava alata i 1 list s uputama za 3 modela.
BG. Съдържание: 242 части, 2 истински инструмента и 1 ръководство с инструкции за 3-те модела.
SL. Vsebina: 242 delov, 2 pravi orodji in 1 list z navodili za 3 modele.

EN. Building instructions for the 12 other models are available at www.meccano.com. Only one model can be built at a time. **FR.** Les notices de montage des 12 autres modèles sont disponibles sur www.meccano.com. Les pièces fournies ne permettent de monter qu'un seul modèle à la fois. **ES.** Hay instrucciones de construcción disponibles para los otros 12 modelos en www.meccano.com. Solo es posible construir un modelo a la vez. **DE.** Bauanleitungen für die anderen 12 Modelle sind auf www.meccano.com zu finden. Jeweils nur eins der Modelle baubar. **NL.** Bouwinstructies voor de andere 12 modellen zijn verkrijgbaar op www.meccano.com. Er kan maar een model tegelijk worden gebouwd. **IT.** Le istruzioni di montaggio degli altri 12 modelli sono disponibili alla pagina www.meccano.com. Permette di realizzare un solo modello per volta. **PT.** Instruções de montagem dos restantes 12 modelos disponíveis em www.meccano.com. Só é possível montar um modelo de cada vez. **RU.** Инструкции по сборке 12 других моделей можно найти на сайте www.meccano.com. Одновременно можно построить только одну модель. **PL.** Instrukcje montażu pozostałych 12 modeli można znaleźć na stronie www.meccano.com. Jednocześnie można zbudować tylko jeden model. **CZ.** Sestavovací pokyny pro dalších 12 modelů naleznete na webu www.meccano.com. Najednou lze sestavit pouze jeden model. **SK.** Pokyny na stavanie pre ďalších 12 modelov sú dostupné na webovej lokalite www.meccano.com. Modely sa dajú vytvoriť len po jednom. **HU.** A www.meccano.com weboldalon további 12 modellhez tartozó összerakási útmutatót talál. Egyszerre csak egy modellt rakható össze. **RO.** Instrucțiunile de construire pentru 12 alte modele sunt disponibile la adresa www.meccano.com. Nu pot fi construite mai multe modele în același timp. **EL.** Οι οδηγίες κατασκευής για τα υπόλοιπα 12 μοντέλα διατίθενται στη διεύθυνση www.meccano.com. Μπορείτε να δημιουργήσετε μόνο ένα μοντέλο κάθε φορά. **HR.** Upute za sastavljanje ostalih 12 modela dostupne su na stranici www.meccano.com. Istovremeno ne možete sastaviti više modela. **BG.** Инструкциите за сглобяване на другите 12 модела са достъпни на www.meccano.com. Само един модел може да бъде сглобен едновременно. **SL.** Navodila za sestavljanje drugih 12 modelov so na voljo na www.meccano.com. Sestavite lahko samo en model naenkrat.



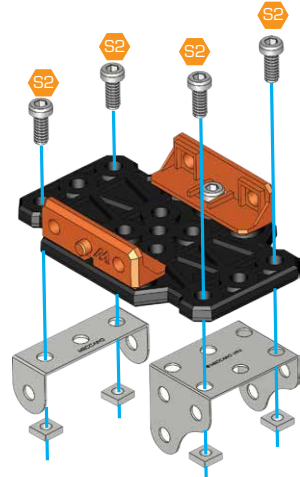
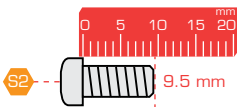
1

	x 1
	x 2
	x 2
	x 2



2

	x 1
	x 1
	x 4
	x 4



3



x 1



x 1



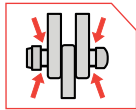
x 1



x 1



14.7mm



B1

B1

B1

5



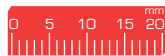
x 1



x 2



x 2



5.8 mm

S1

S1

S1

S1

4



x 1



x 2



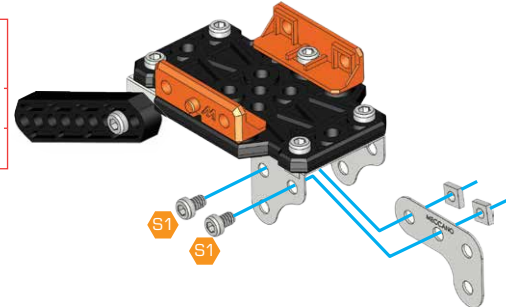
x 2



5.8 mm

S1

S1



S1

S1

6



x 1



x 1



x 1



x 2



x 1



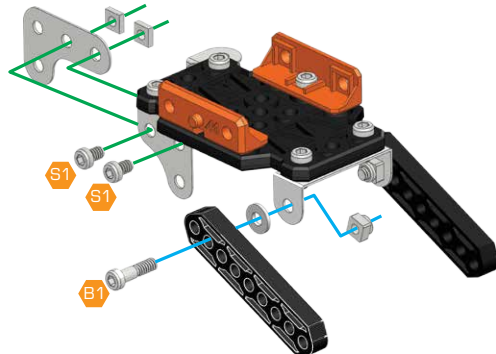
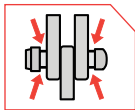
x 1



5.8 mm

S1

B1



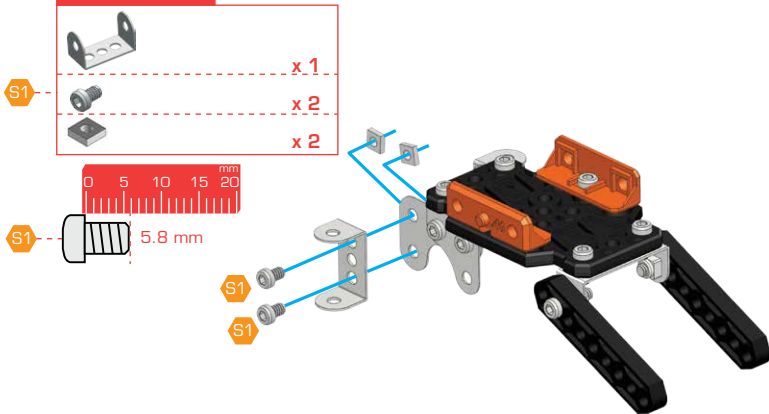
S1

S1

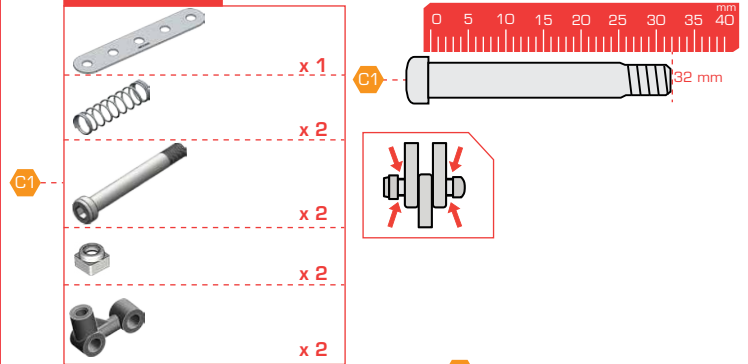
B1

180°

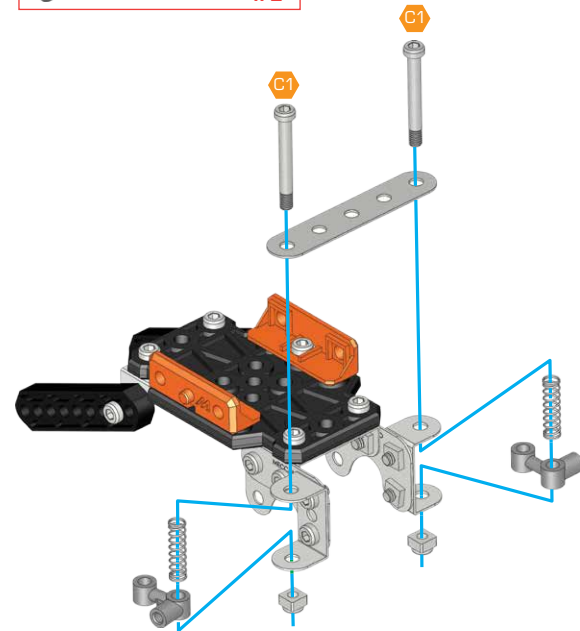
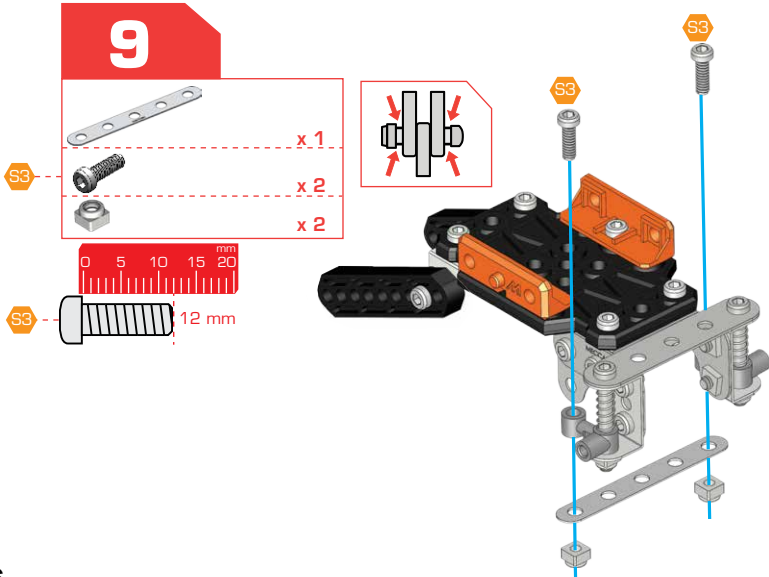
7






8

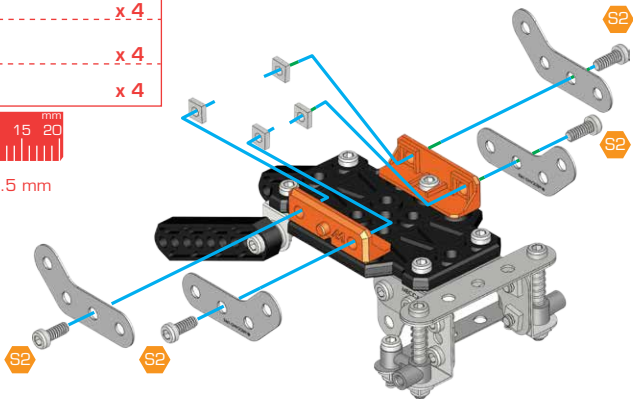
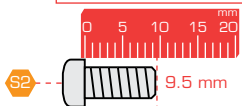


9






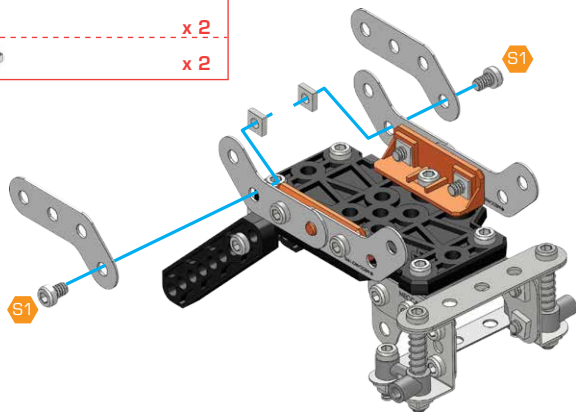
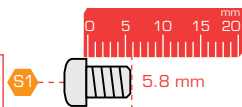
10

-  x 4
-  x 4
-  x 4






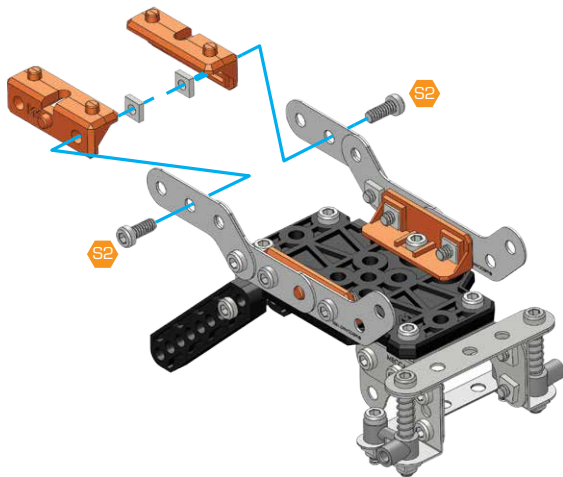
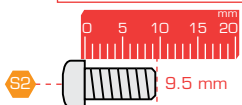
11

-  x 2
-  x 2
-  x 2



12

-  x 2
-  x 2
-  x 2



13



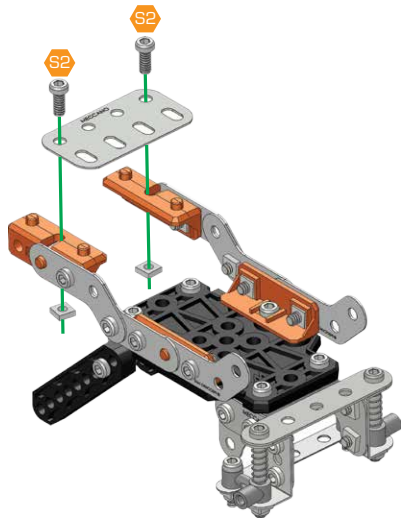
x 1

x 2

x 2



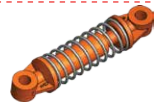
9.5 mm



14



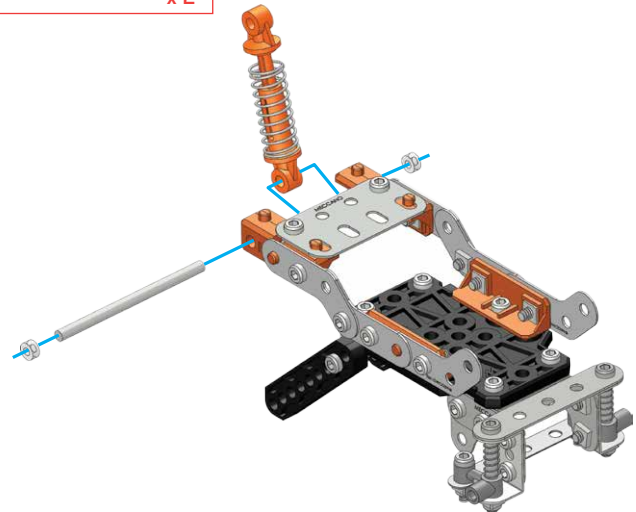
x 1



x 1



x 2



15



x 2



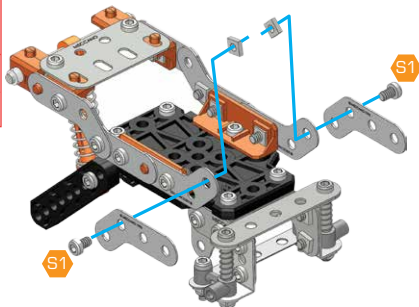
x 2



x 2

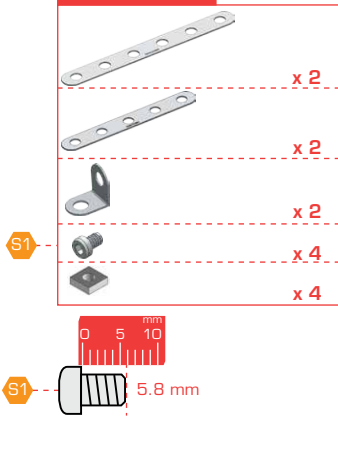


5.8 mm

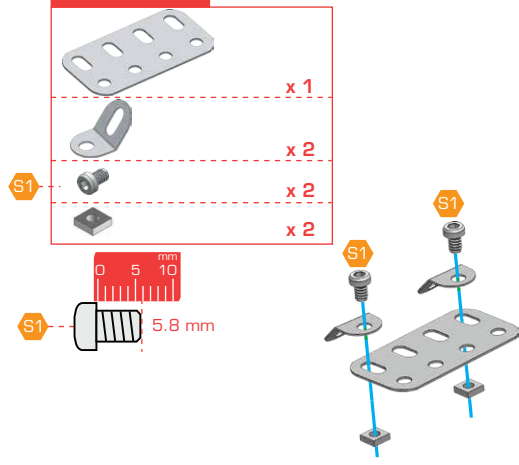


63.5 mm

16

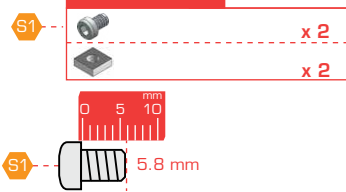


17



18

16+17



19



x 1

x 1

x 1

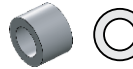
x 1

B1

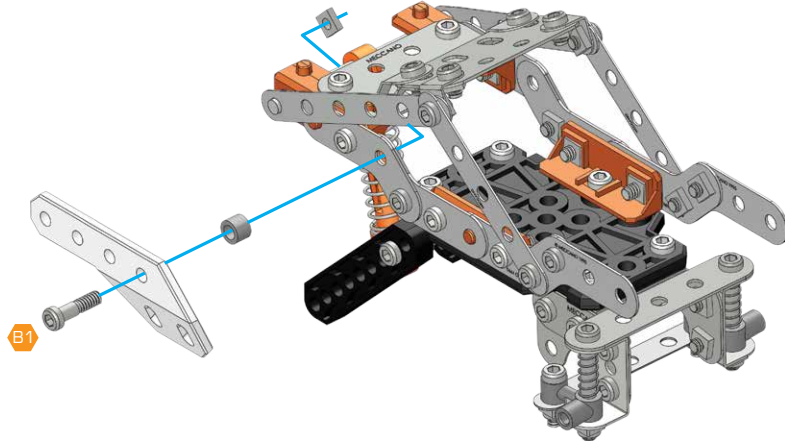


14.7 mm

B1



A338 1:1



20



x 1

x 1

x 1

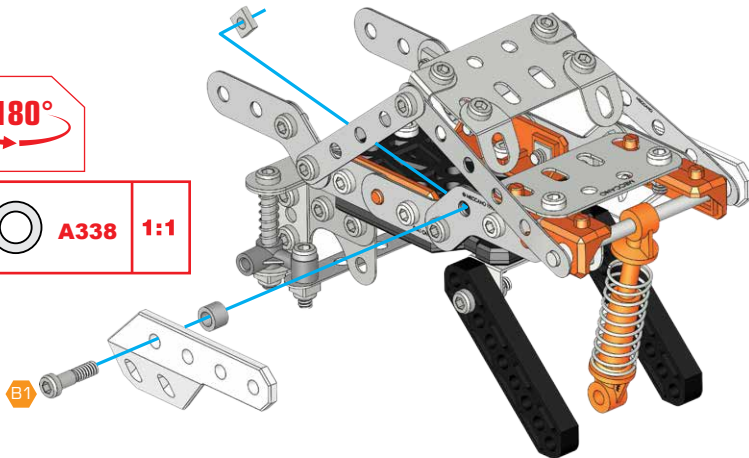
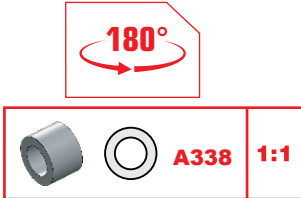
x 1

B1






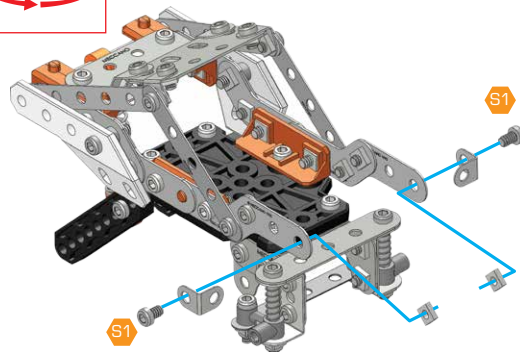
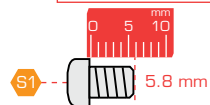
14.7 mm

B1







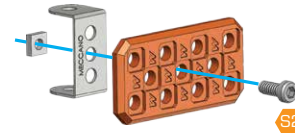
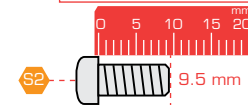
21

-  x 2
-  x 2
-  x 2



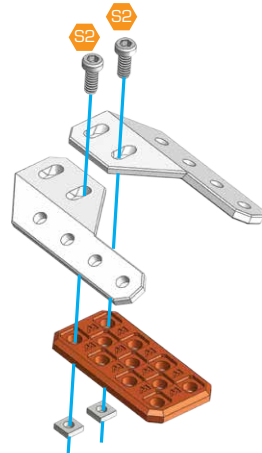
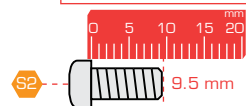
22

-  x 1
-  x 1
-  x 1
-  x 1







23

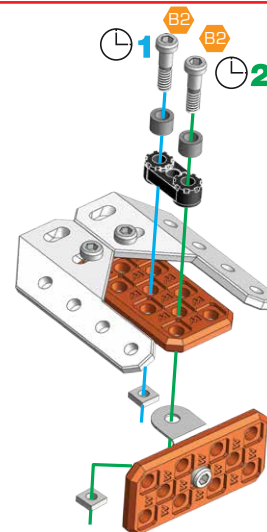
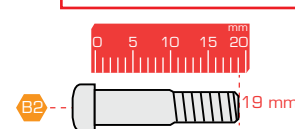
-  x 1
-  x 1
-  x 1
-  x 2
-  x 2



24

22+23

-  x 1
-  x 2
-  x 2
-  x 2



25

21+24

S2



x 2



x 2



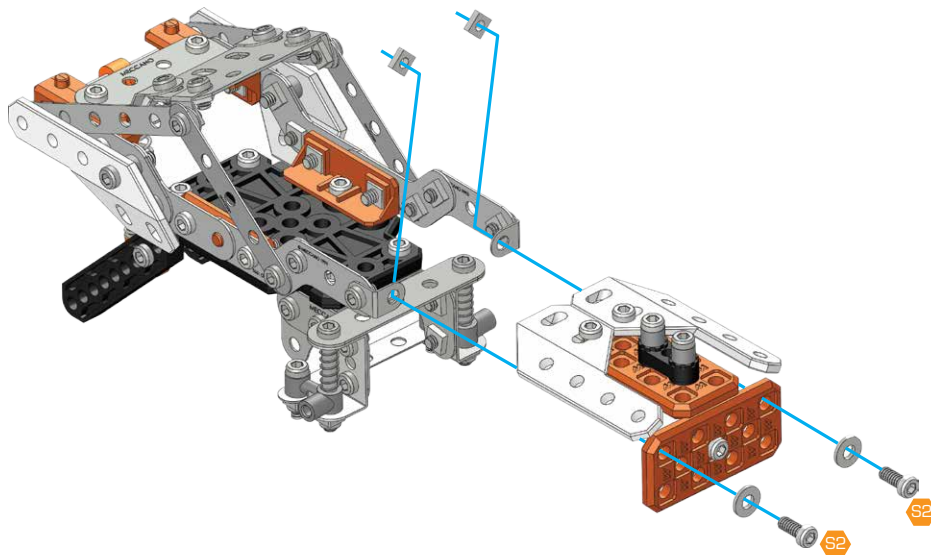
x 2



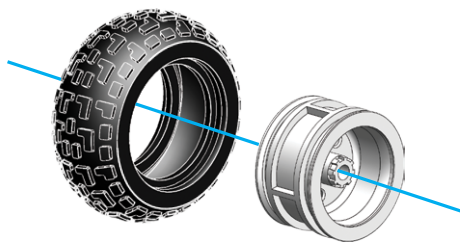
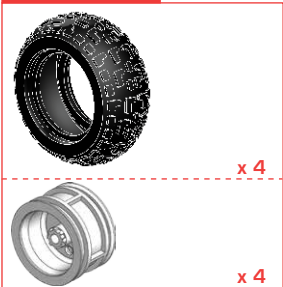
S2



9.5 mm



26



x2



x2



27

25+26

B3



x 1



x 1



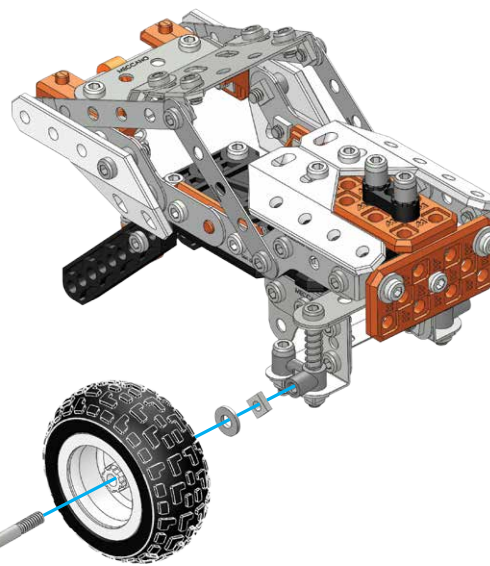
x 1



B3



23 mm



28

26+27

180°

B3



x 1



x 1



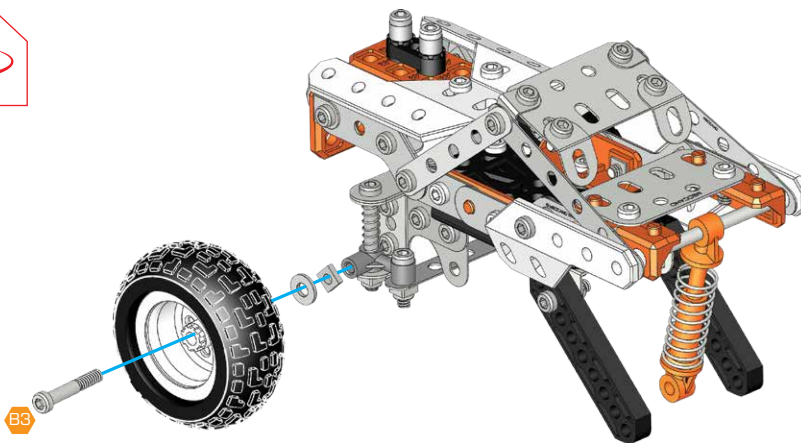
x 1



B3

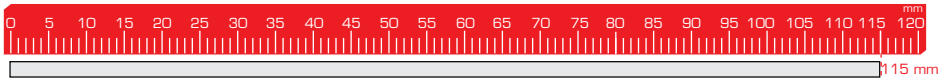
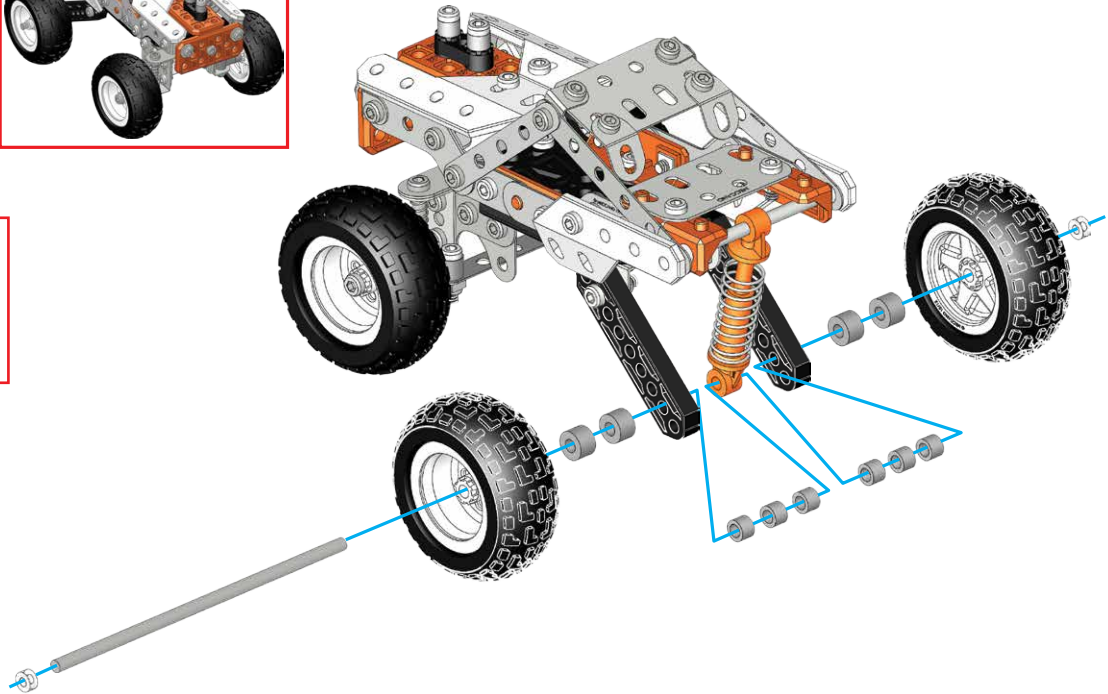
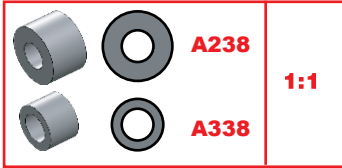
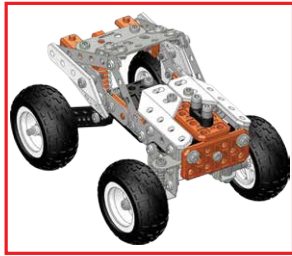
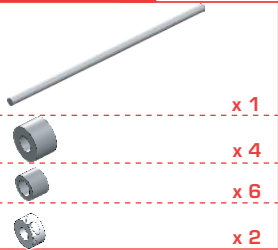


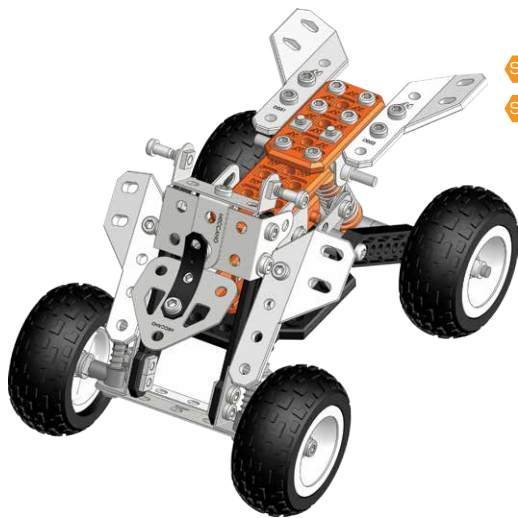
23 mm



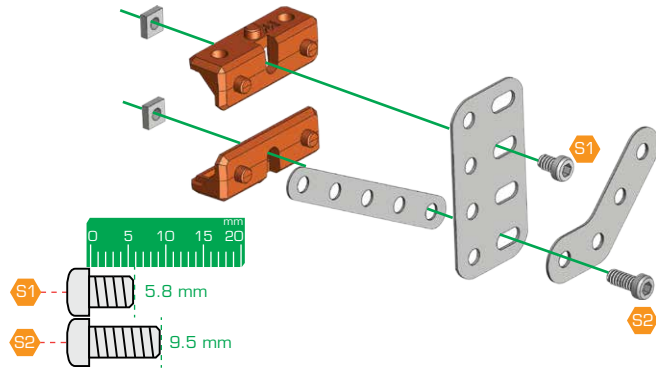
29

26+28

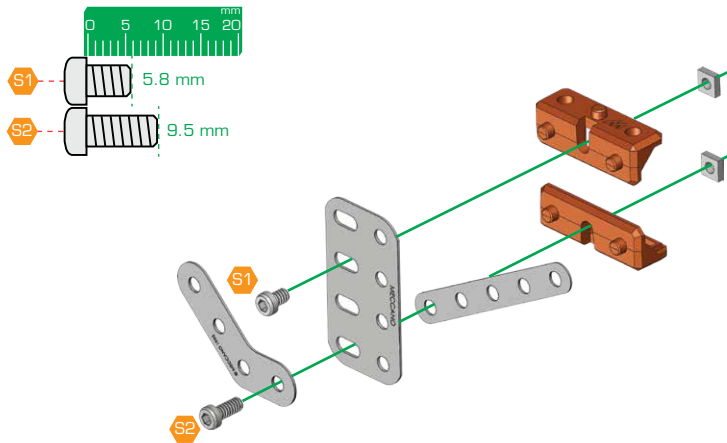




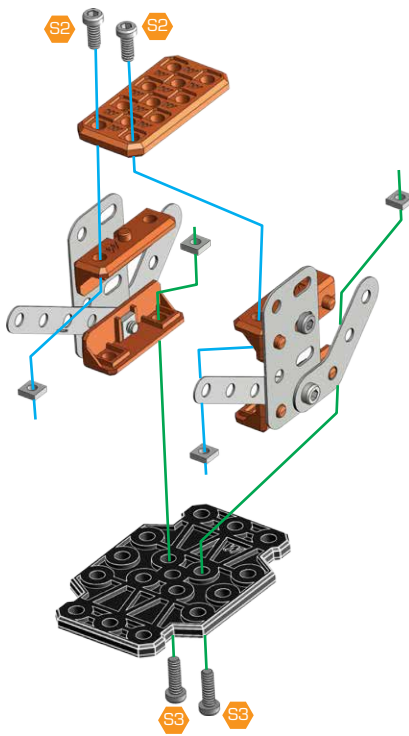
1		
S1		x 1
S2		x 1
		x 2
		x 1
		x 2
		x 1
		x 1



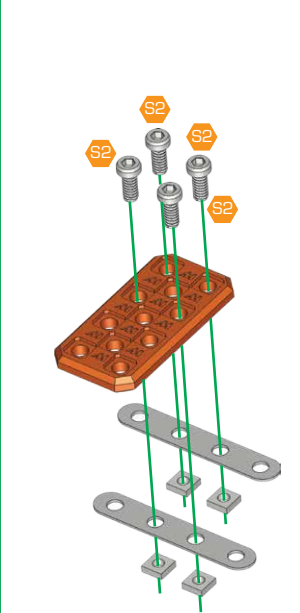
2		
S1		x 1
S2		x 1
		x 2
		x 1
		x 2
		x 1
		x 1



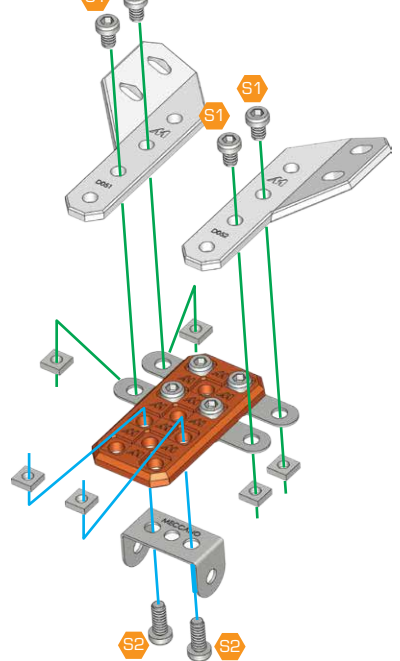
- 3 1+2**
- S2 x 2
 - S3 x 2
 - x 4
 - x 1
 - x 1
-





- 4**
- S2 x 4
 - x 4
 - x 1
 - x 2
 - S2 x 9.5 mm
 - S3 x 12 mm
-

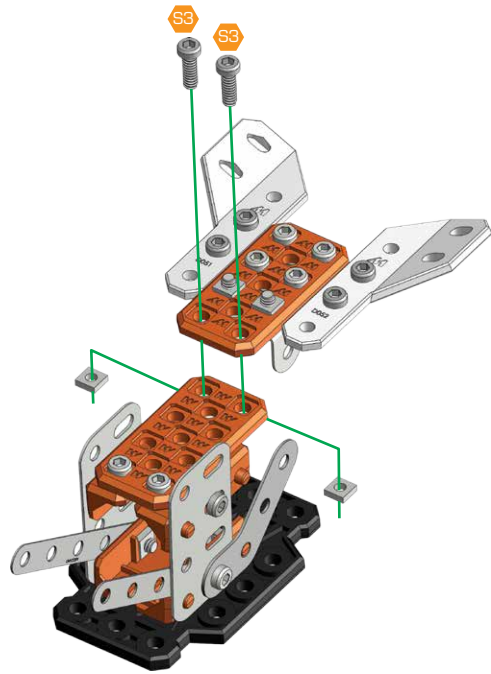
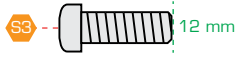
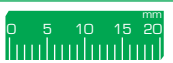


- 5**
- S1 x 4
 - S2 x 2
 - x 6
 - x 1
 - x 1
 - x 1
 - S1 x 5.8 mm
 - S2 x 9.5 mm
-






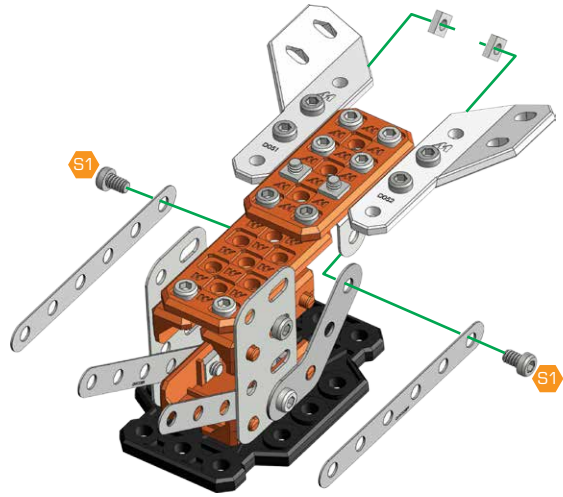
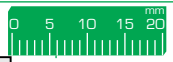
6 **3+5**

	x 2
	x 2



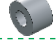



7


	x 2
	x 2
	x 2

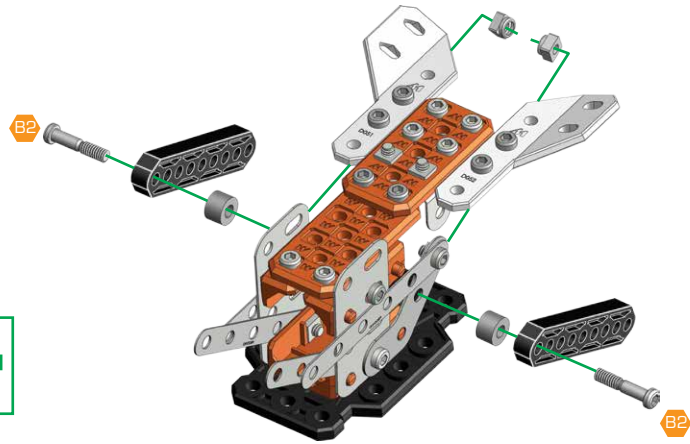


8



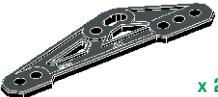
	x 2
	x 2
	x 2
	x 2



		A238	1:1
---	---	-------------	------------

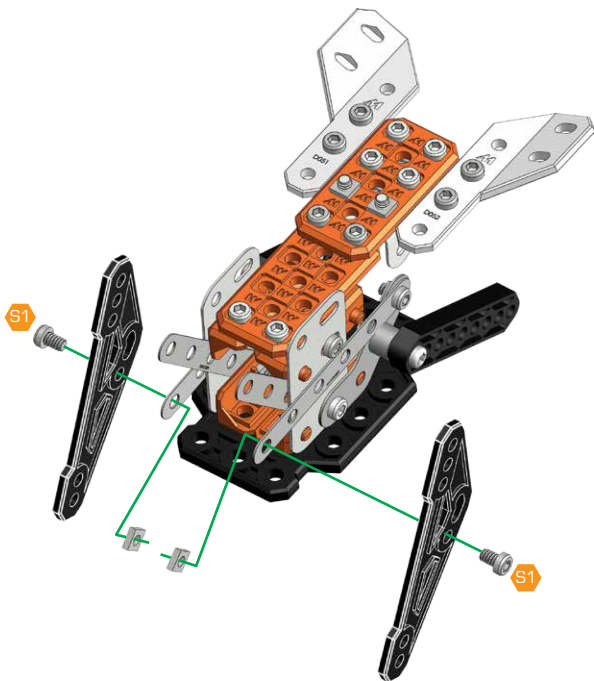


9

- S1  x 2
-  x 2
-  x 2



- S1  5.8 mm

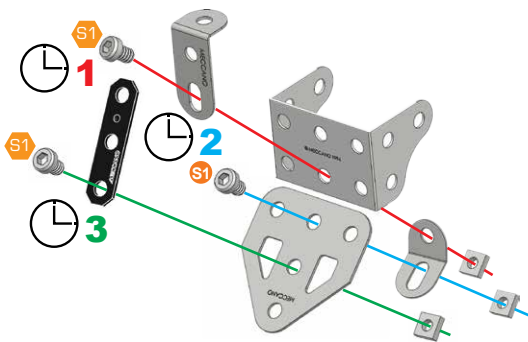


10





- S1  x 3
-  x 3
-  x 1
-  x 1
-  x 1
-  x 1
-  x 1





- S1  5.8 mm

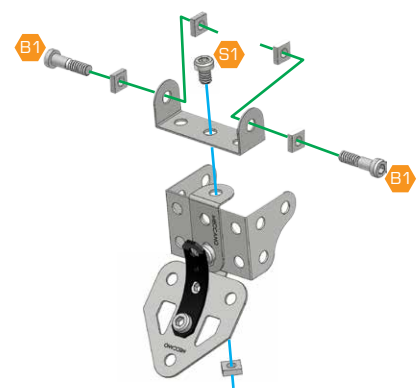


11

- S1  x 1
- B1  x 2
-  x 5
-  x 1



- S1  5.8 mm
- B1  14.7 mm



12 9+11

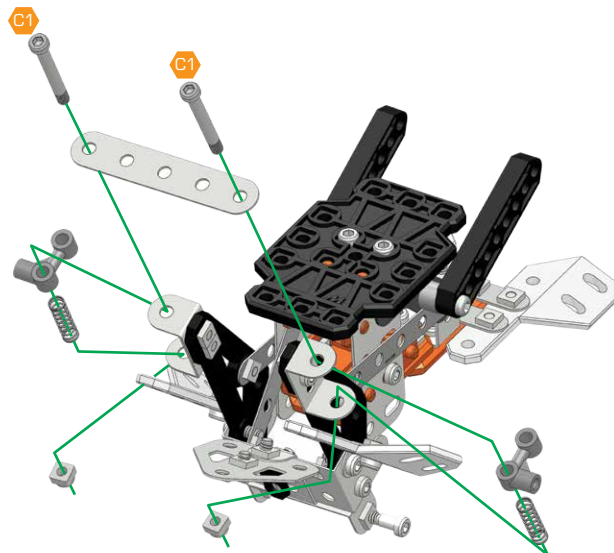
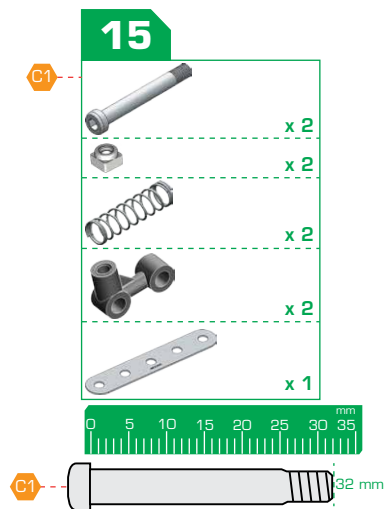
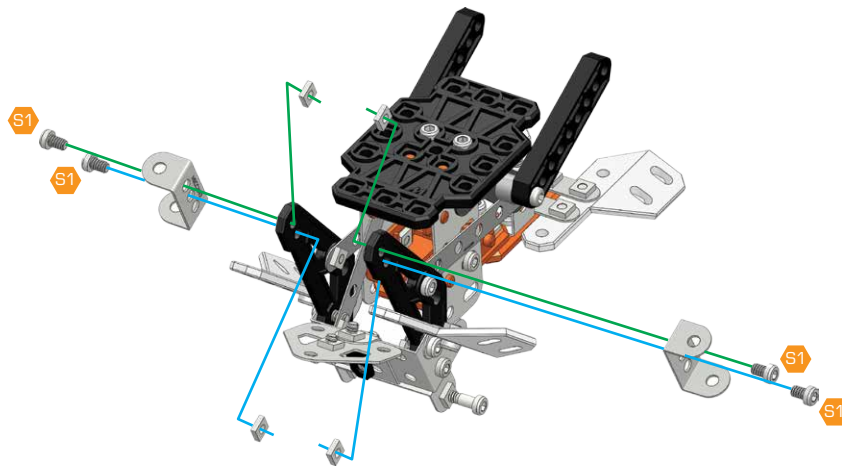
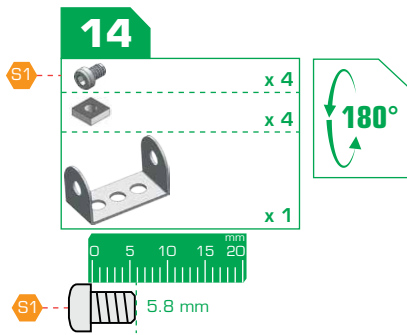
S1		x 2
S2		x 2
		x 4
		x 2

5.8 mm
9.5 mm




13

S1		x 2
		x 2
		x 1
		x 1

5.8 mm

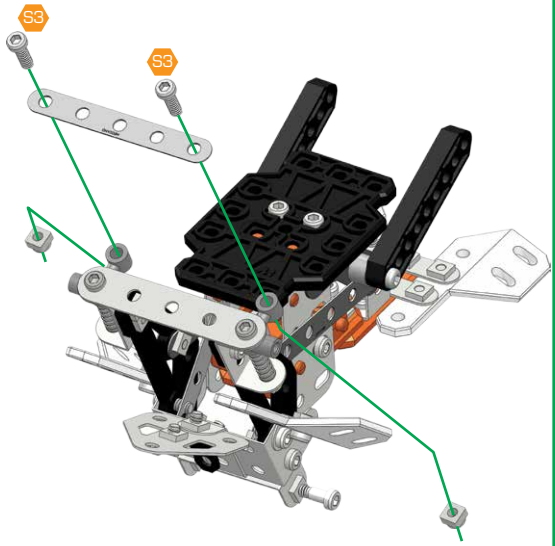


16



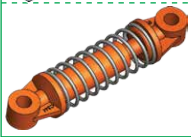
-  x 2
-  x 2
-  x 1

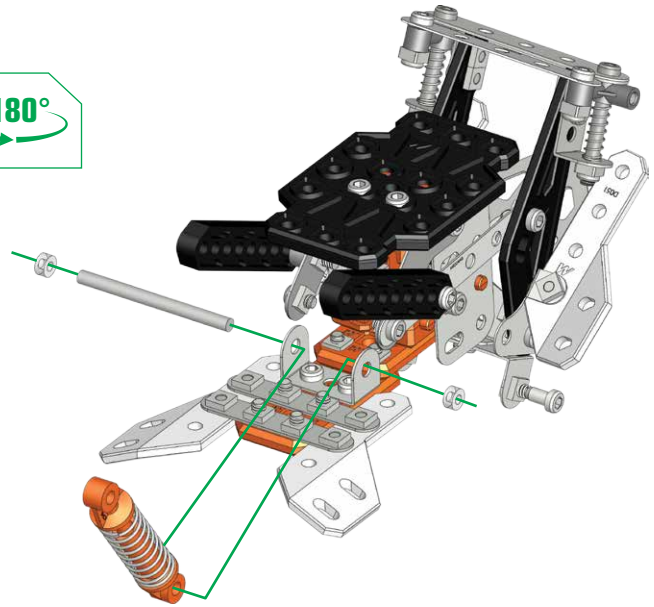
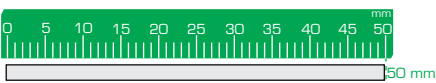


-  12 mm





17

-  x 1
-  x 2
-  x 1








18

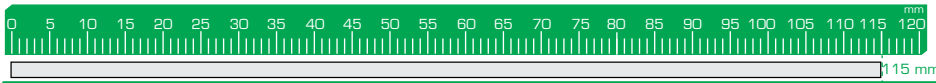
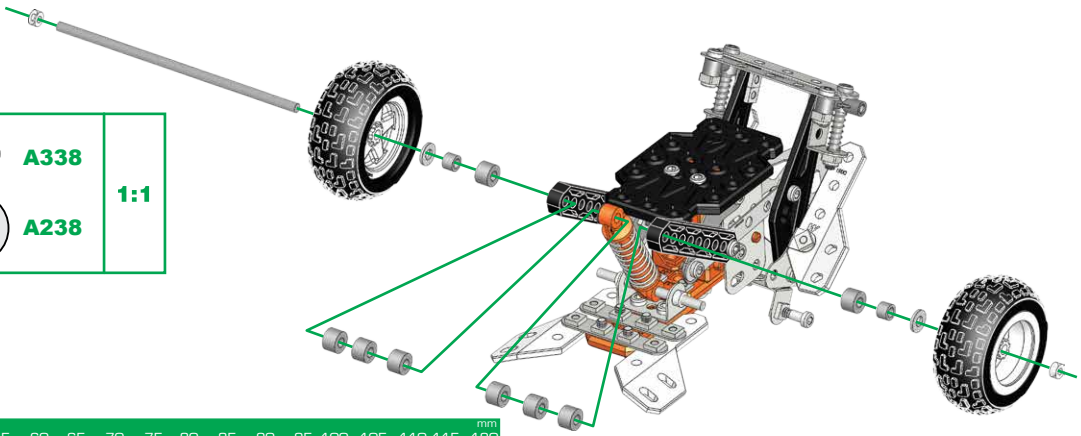
-  x 4
-  x 4






19 17+18

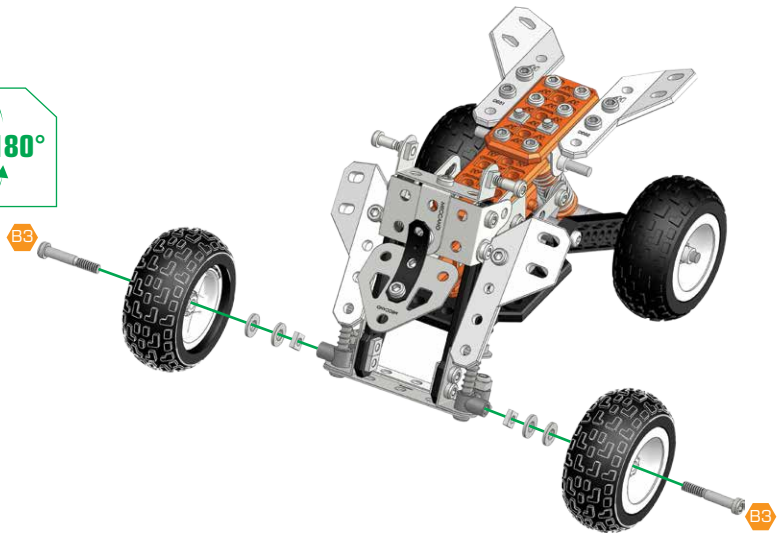
-  x 1
-  x 2
-  x 2
-  x 2
-  x 8

		A338	1:1
		A238	



20 18+19

-  x 2
-  x 2
-  x 4





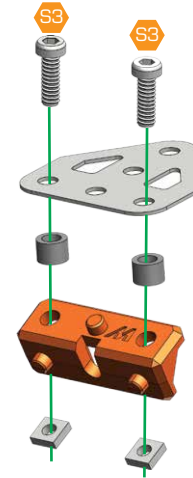


1

- S3 x 2
- x 2
- x 2
- x 1
- x 1

S3 12 mm

		A338	1:1
---	---	-------------	------------



2

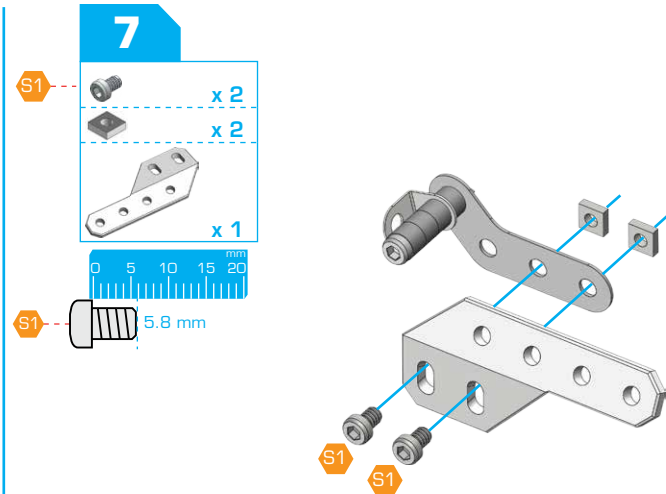
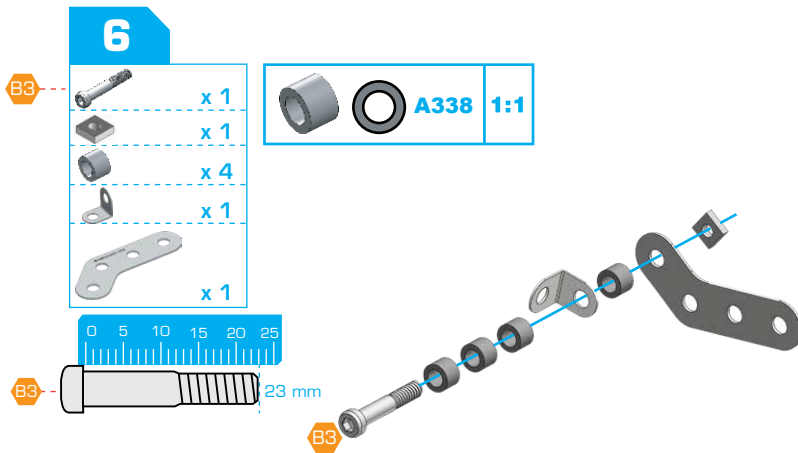
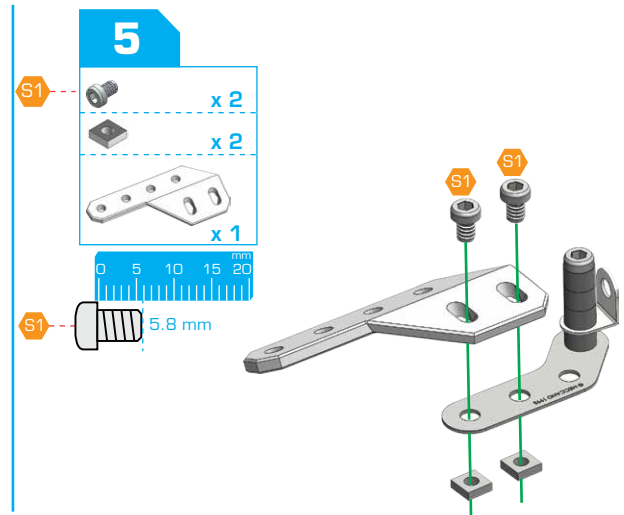
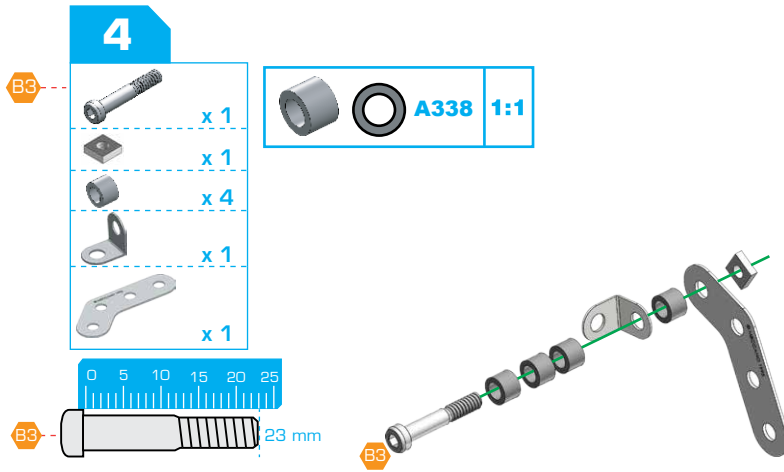
- S2 x 1
- x 1
- x 1

S2 9.5 mm

3

- S2 x 2
- x 2
- x 1

S2 9.5 mm

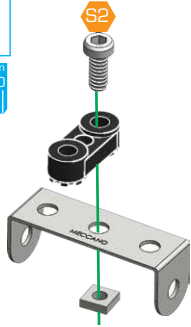


8

- S2 x 1
- x 1
- x 1
- x 1

0 5 10 15 20 mm

S2 9.5 mm



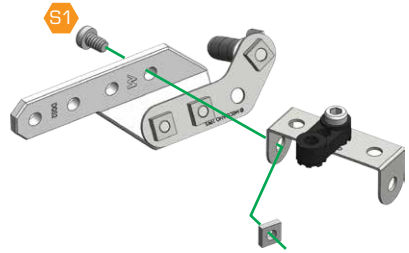
9 **7+8**

- S1 x 1
- x 1

0 5 10 15 20 mm

S1 5.8 mm

180°

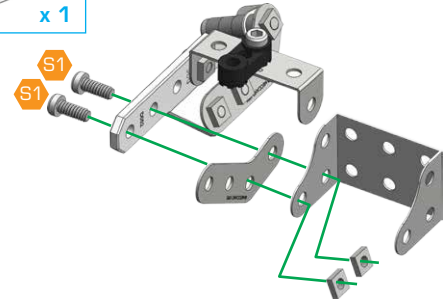


10

- S1 x 2
- x 2
- x 1
- x 1

0 5 10 15 20 mm

S1 5.8 mm

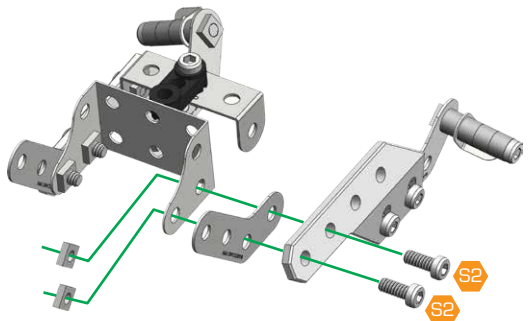


11 **5+10**

- S2 x 2
- x 2
- x 1

0 5 10 15 20 mm

S2 9.5 mm

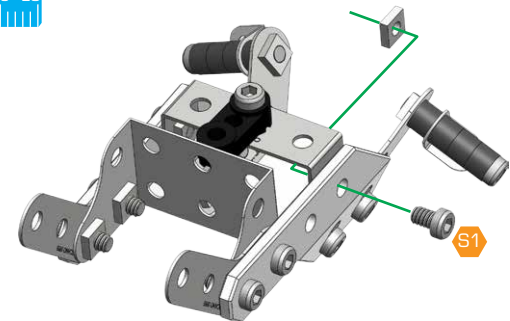


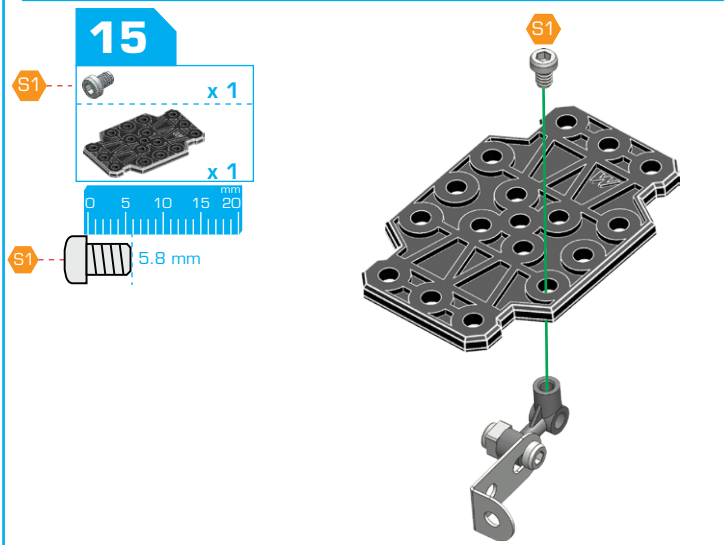
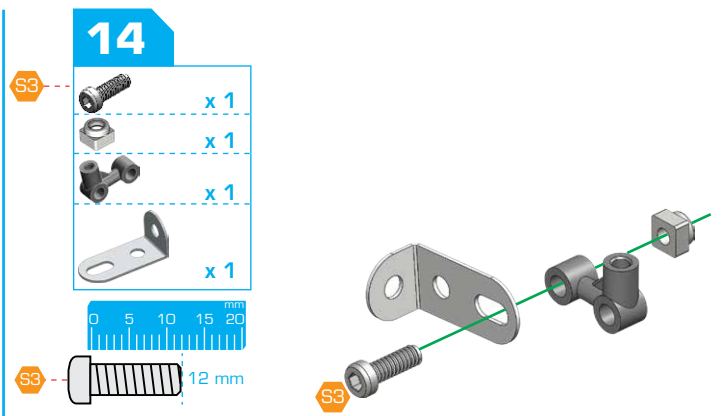
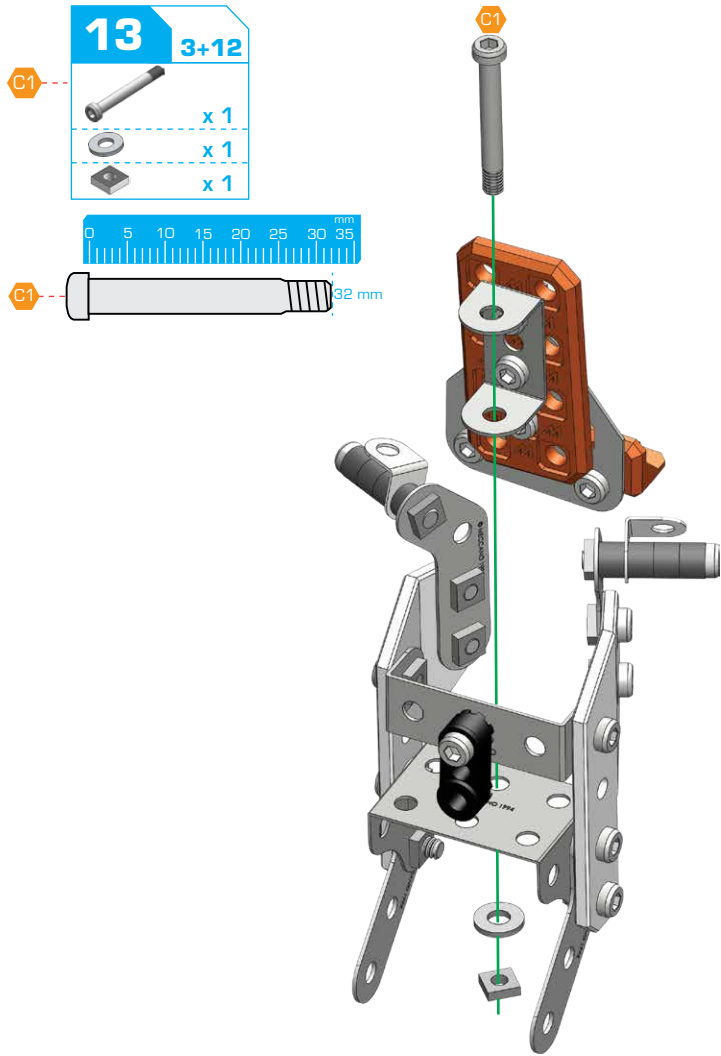
12

- S1 x 1
- x 1

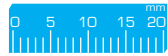
0 5 10 15 20 mm

S1 5.8 mm

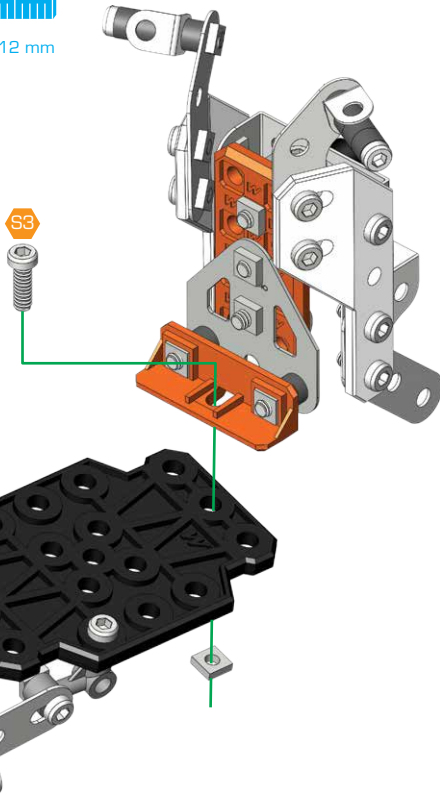




- 16** 13+15
- S3 x 1
 - x 1



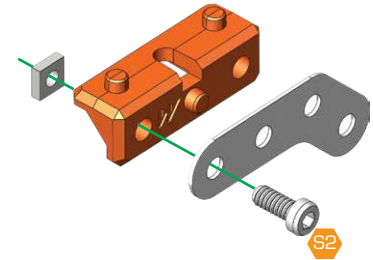
- S3 12 mm



- 17**
- S2 x 1
 - x 1
 - x 1
 - x 1



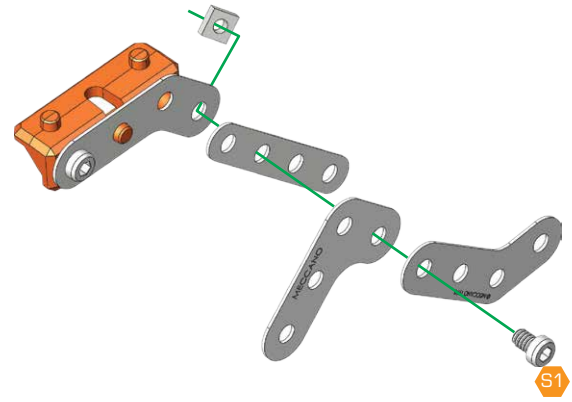
- S2 9.5 mm



- 18**
- S1 x 1
 - x 1
 - x 1
 - x 1
 - x 1



- S1 5.8 mm



19

- S2 x 1
- x 1
- x 1

0 5 10 15 20 mm

S2 9.5 mm

20

- S2 x 1
- B1 x 1
- x 2
- x 1

0 5 10 15 20 mm

S2 9.5 mm

B1 14.7 mm

21

- B2 x 1
- x 1
- x 2
- x 1

0 5 10 15 20 mm

B2 19 mm

		A238
		A338

1:1

22

- S3 x 1
- x 1
- x 1

0 5 10 15 20 mm

S3 12 mm

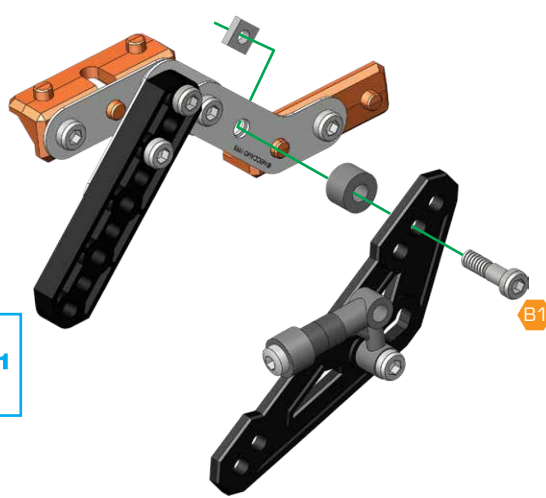
23 20+22

- B1 x 1
- x 1
- x 1

0 5 10 15 20 mm

B1 14.7mm

A238 1:1

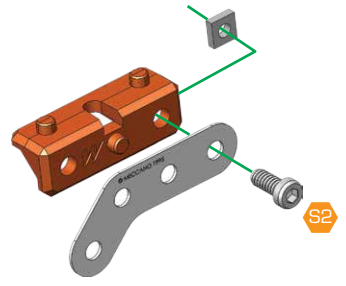


24

- S2 x 1
- x 1
- x 1
- x 1

0 5 10 15 20 mm

S2 9.5 mm

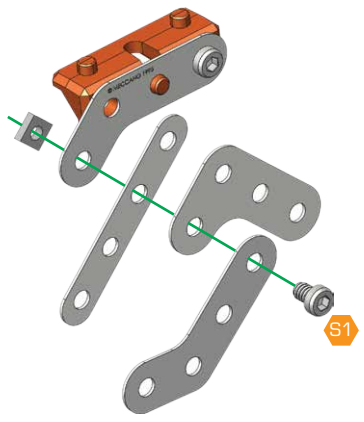


25

- S1 x 1
- x 1
- x 1
- x 1
- x 1

0 5 10 15 20 mm

S1 5.8 mm



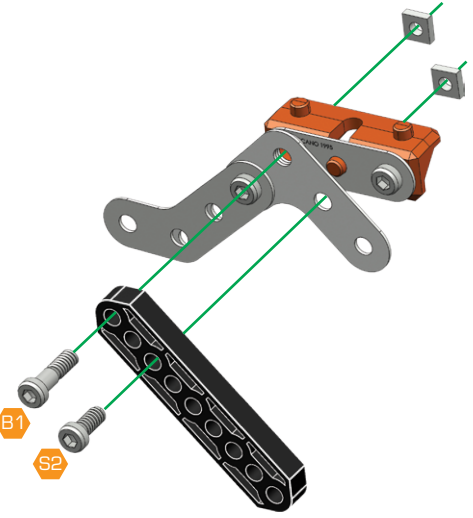
26

- S2 x 1
- B1 x 1
- x 2
- x 1

0 5 10 15 20 mm

S2 9.5 mm

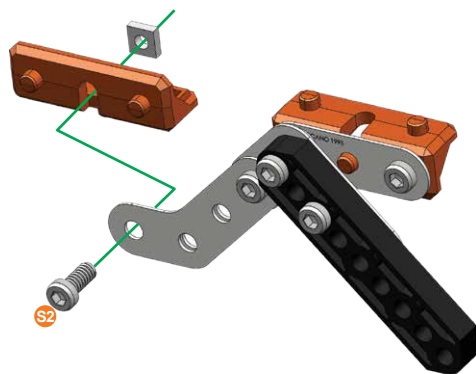
B1 14.7mm



27

- S2 x 1
- x 1
- x 1

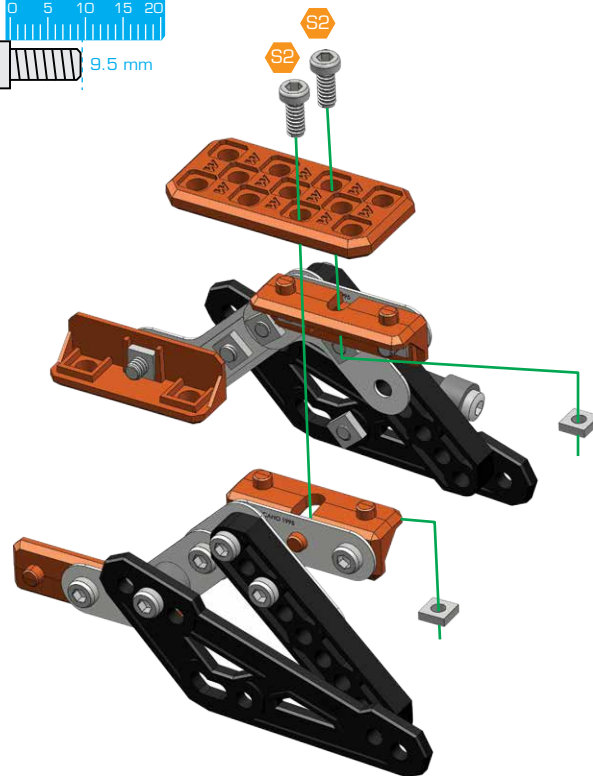
9.5 mm



29 23+28

- S2 x 2
- x 2
- x 1

9.5 mm



28

- B1 x 1
- x 1
- x 1
- x 1

14.7 mm



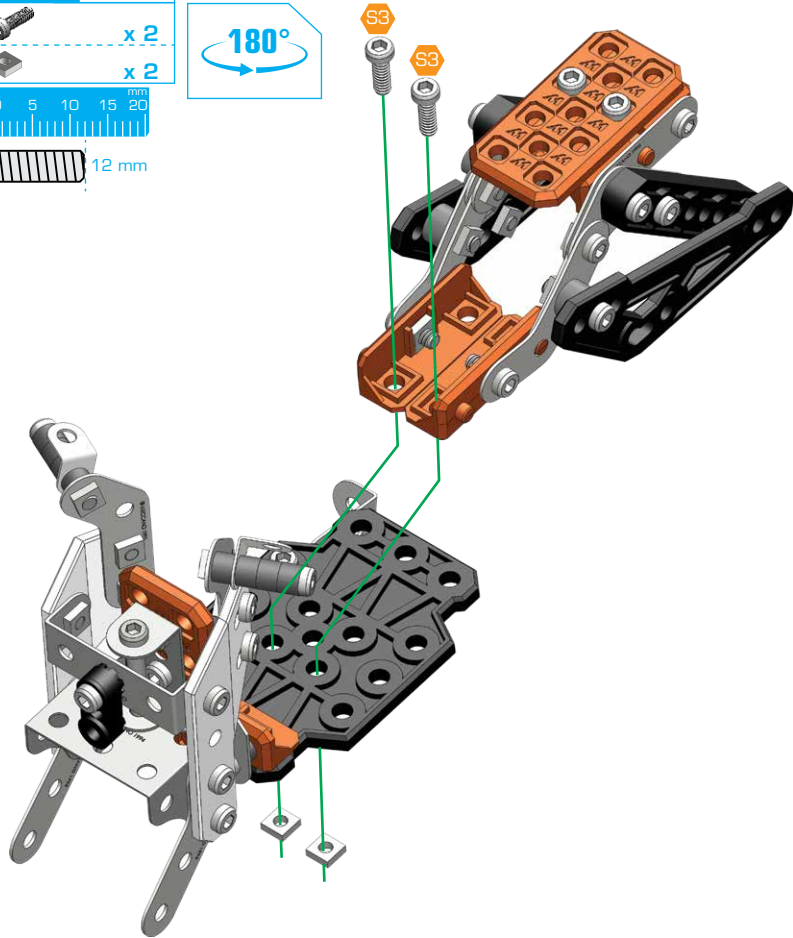
A238 1:1

30 16+29

S3 x 2
x 2

0 5 10 15 20 mm

S3 12 mm



31

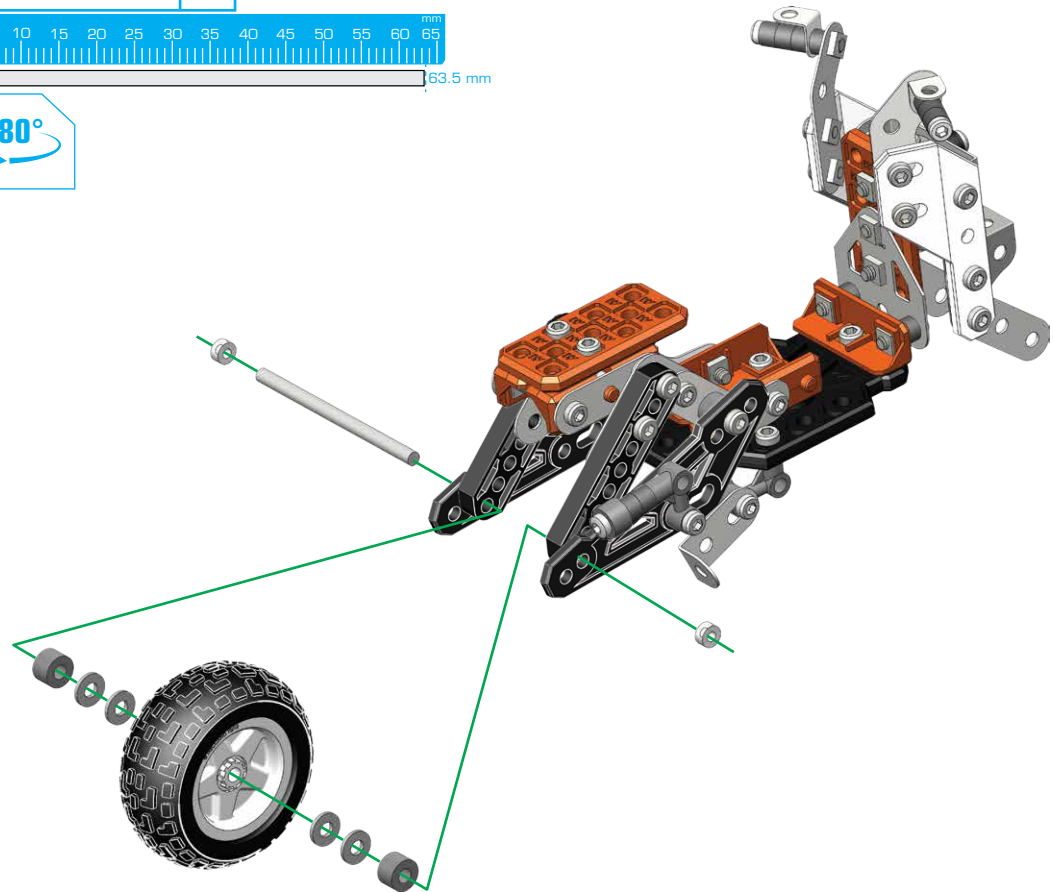
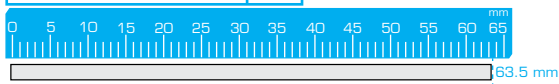
x 2
x 2






32 30+31



-  x 1
-  x 4
-  x 2
-  x 2

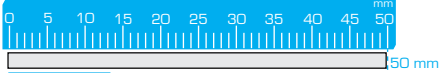
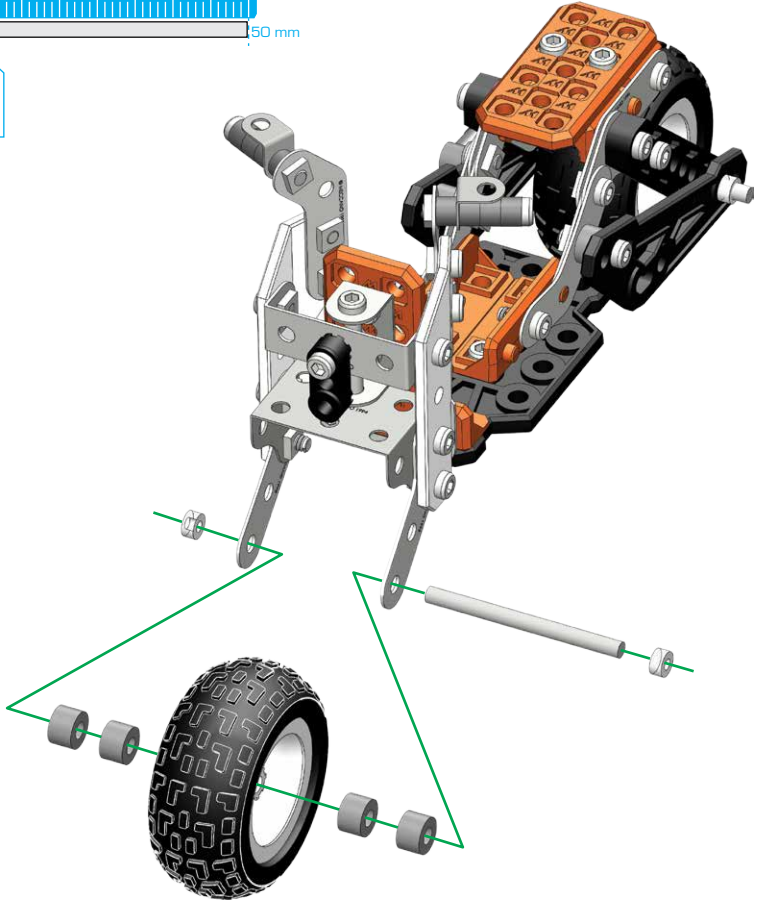
		A238	1:1
---	---	-------------	------------



33 31+32

-  x 1
-  x 2
-  x 4

		A238	1:1
---	---	------	-----

	C330 x4		A138 x6		D100 x1		S1 5.8 mm	A637 x25
	A712 x2		A238 x11		B051 x2		S2 9.5 mm	A511 x19
	A248 x1		A338 x16		B372 x1		S3 12 mm	A411 x8
	A512 x1		A259 x8		B447 x2		B1 14.7 mm	A247 x4
	A548 x3		A337 x55		B447 x2		B2 19 mm	A447 x2
	D101 x5		A737 x6		C872 x1		B3 23 mm	A347 x2
	D102 x1		A417 x3		D018 x2		C1 32 mm	C935 x4
	D051 x2		A105 x1		A423 x2		B4 38.1 mm	B696 x4
	D052 x2		A235 x3		C868 x1		A017 50 mm	A017 x1
	D103 x2		A413 x2		A353 x2		A117 63.5 mm	A117 x1
	A952 x1		A367 x2		C890 x4		A715 115 mm	A715 x1
	A952 x1		A233 x8		C901 x4		C995	C995 x1
			A277 x4				D499	D499 x1
			A127 x1					
			A305 x2					

Запишите указанные на упаковке адреса и номера телефонов, чтобы у вас была возможность связаться с нами.

Рекомендуется присмотр взрослых.

Meccano reserves the right to discontinue the website www.meccano.com at any time.

Meccano se réserve le droit de supprimer le site Internet www.meccano.com à tout moment.

TM & © 2019 MECCANO for packaging, instructions and models built with this set. ® MECCANO is an exclusive trademark of MECCANO.

Spin Master logo is a trademark of Spin Master Ltd. All rights reserved.

TM & © 2019 MECCANO pour l'emballage, les notices et modèles de ce coffret. ® MECCANO est une marque de commerce exclusive de MECCANO. Le logo de Spin Master est une marque de commerce de Spin Master Ltd. Tous droits réservés.

Spin Master Ltd., 225 King Street West, Toronto ON M5V 3M2 Canada

Distributed in EU by / Distribué dans l'UE par Spin Master International B.V., Kingsfordweg 151, 1043 GR Amsterdam, The Netherlands

Imported by / Importé par Spin Master Australia Pty Ltd, Suite 101, Level 1, 18-24 Chandos Street, St Leonards, NSW 2065; ☎1800 316 982

Импортер: ООО «Спин Мастер РУС», Россия, Москва 117638 Одесская ул. 2, Бизнес-центр «Лотос», башня С, 10 эт. Тел.: 8 800 301 38 22

Изготовитель: Спин Мастер Лтд., 225 Кинг Стрит Вест, Торонто, ОН М5В 3М2 Канада ☎18006228339

www.spinmaster.com

Meccano: 363, avenue de Saint-Exupéry 62100 Calais - France



T91678_0011_20114957_GML_ISW_R1.sp.dj (MEC_15mm_Super_Track_Cn_A_B_C)

NORTH AMERICA • AMÉRIQUE DU NORD

1-800-622-8339, customercare@spinmaster.com

UK – 0800 206 1191, serviceuk@spinmaster.com

IRELAND – 1800 992 249

FRANCE – 0800 909 150, servicefr@spinmaster.com

AUSTRALIA – 1800 316 982, customercare@spinmaster.com

DEUTSCHLAND – 00800 0101 0222, Kundenservice@spinmaster.com

SCHWEIZ – 0800 561 350 • **ÖSTERREICH** – 0800 297 267

NEDERLAND – 0800 022 3683, klantenservice@spinmaster.com

BELGIË/BELGIQUE – 0800 77 688 • **LUXEMBOURG** – 800 2 8044

ITALIA – 800 788 532, servizio@spinmaster.com

MÉXICO – 01 800 9530147, servicio@spinmaster.com

POLSKA – 800080238, poland@spinmaster.com

ČESKÁ REPUBLIKA – 800550530, czechrepublic@spinmaster.com

SLOVENSKO – 0800232800, slovakia@spinmaster.com

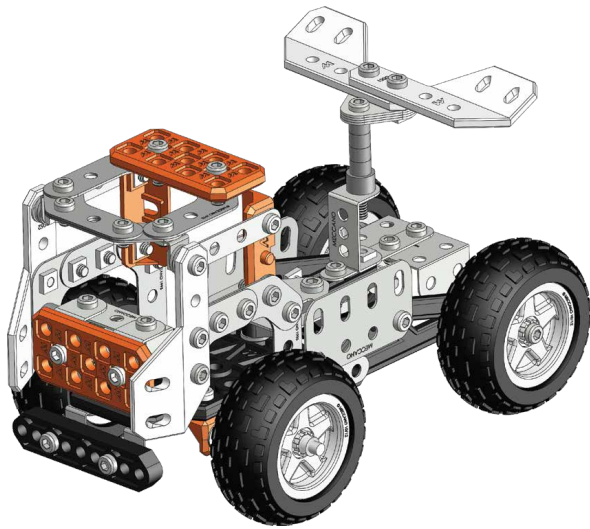
MAGYARORSZÁG – 080 100 052, hungary@spinmaster.com

ROMÂNIA – 0800400015, romania@spinmaster.com


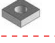
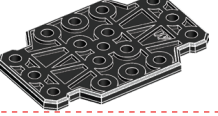
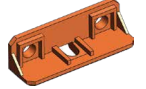
РОССИЯ – 88003013822, russia@spinmaster.com




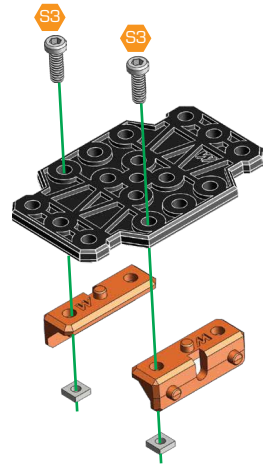
WWW.SPINMASTER.COM







1


	x 2
	x 2
	x 1
	x 2

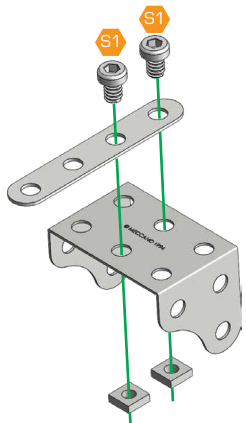
 12 mm




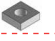

2


	x 2
	x 2
	x 1
	x 1

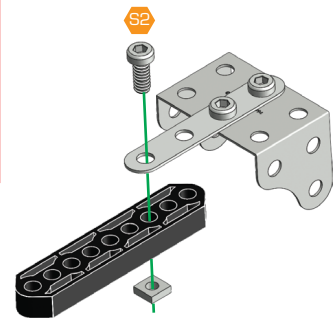
 5.8 mm



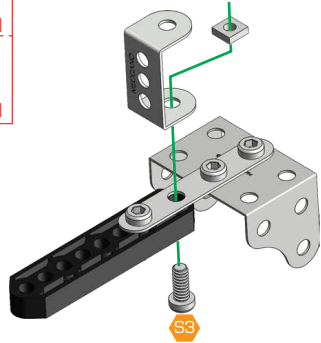
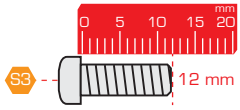
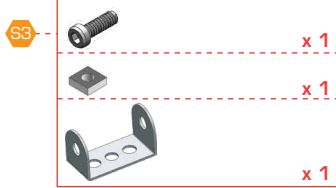
3

	x 1
	x 1
	x 1

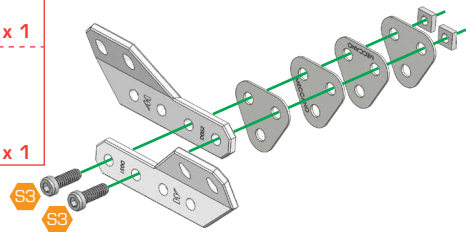
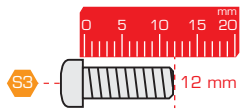
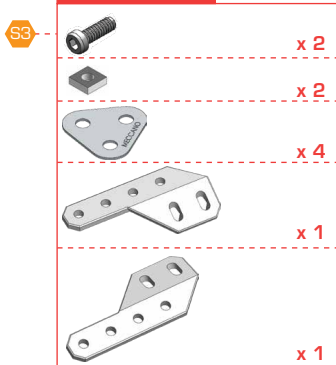
 9.5 mm



4

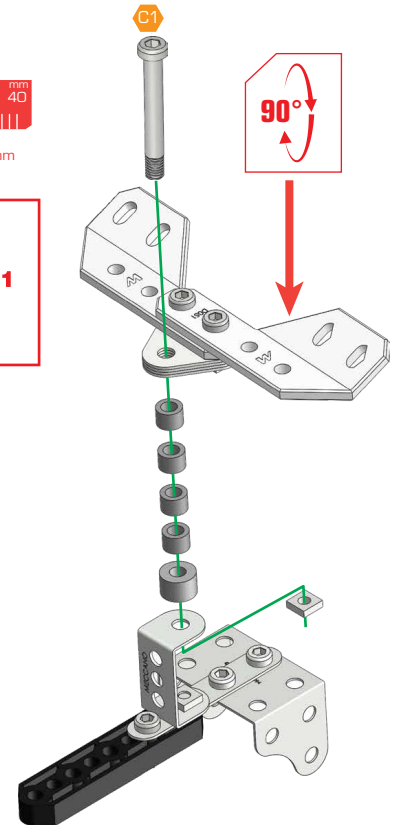
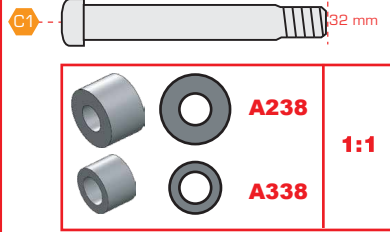
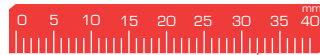
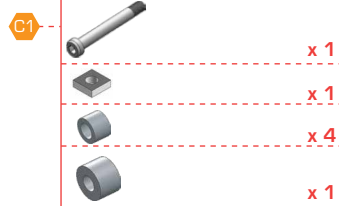


5



6

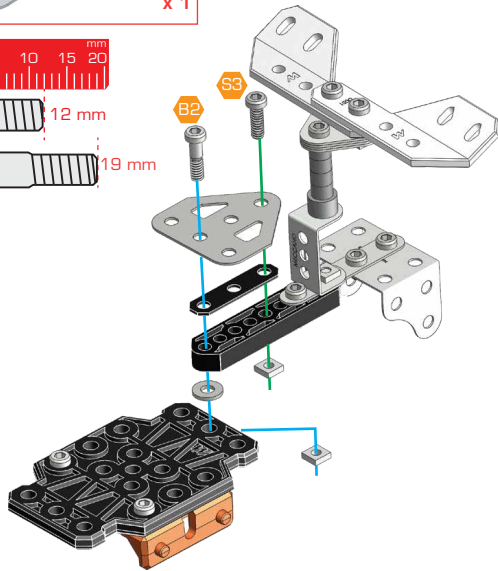
4+5



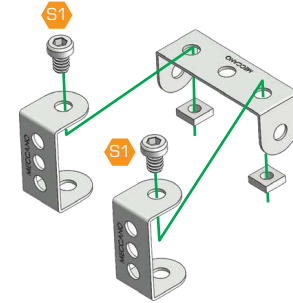
7**1+6**

B2		x 1
S3		x 1
		x 2
		x 1
		x 1
		x 1

S3		12 mm
B2		19 mm

**8**

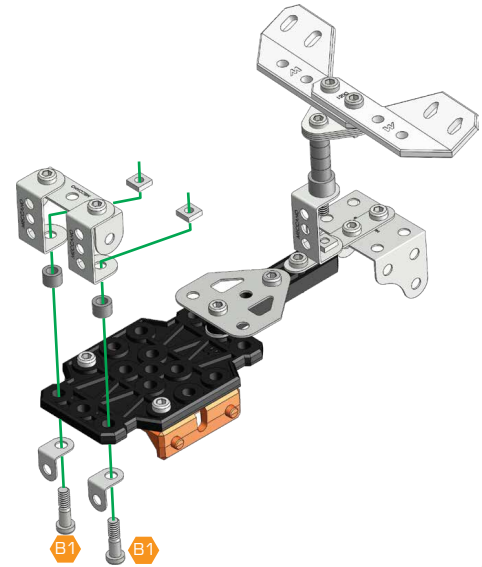
S1		x 2
		x 2
		x 2
		x 1
S1		5.8 mm

**9****7+8**

B1		x 2
		x 2
		x 2
		x 2

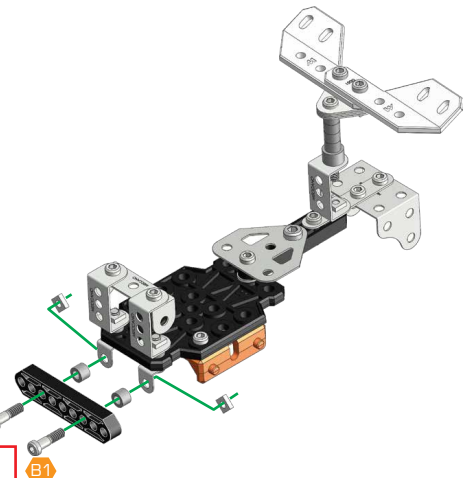
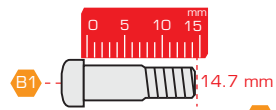
B1		14.7 mm
----	--	---------

		A338	1:1
--	--	-------------	------------



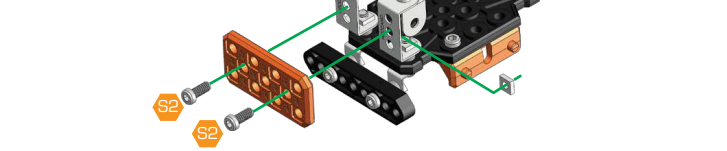
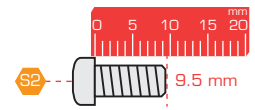
10

- B1 x 2
- x 2
- x 2
- x 1



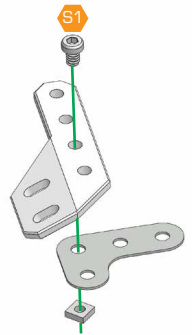
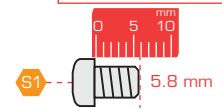
11

- S2 x 2
- x 2
- x 1



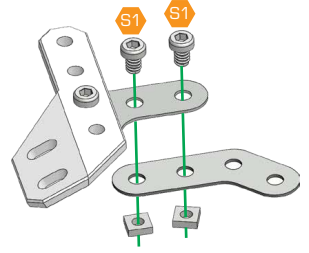
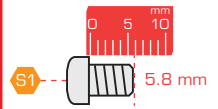
12

- S1 x 1
- x 1
- x 1
- x 1



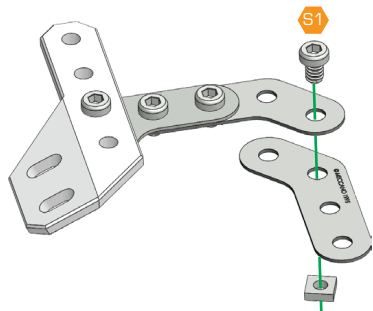
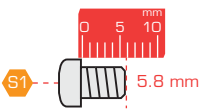
13

- S1 x 2
- x 2
- x 1



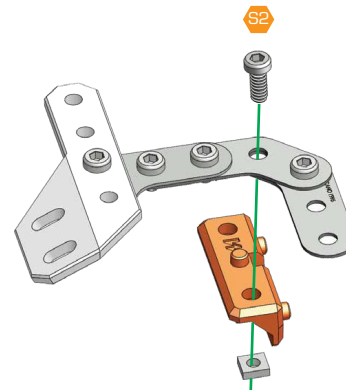
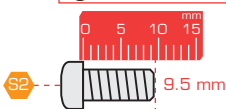
14

- S1 x 1
- x 1
- x 1



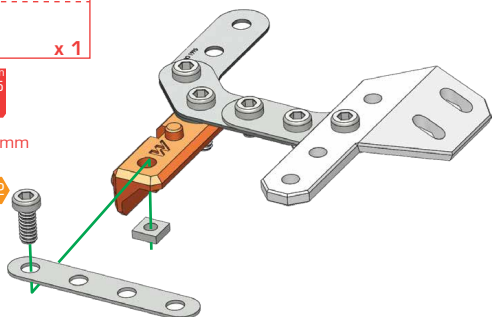
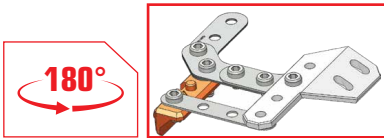
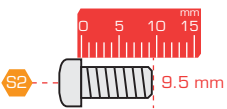
15

- S2 x 1
- x 1
- x 1



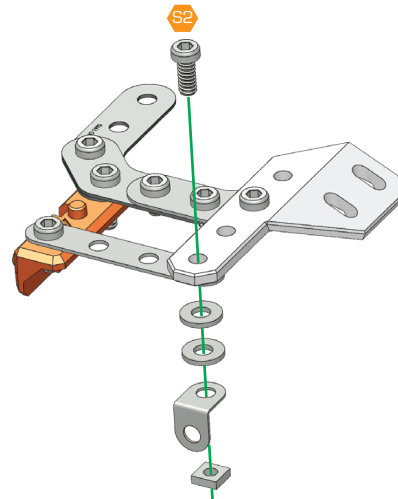
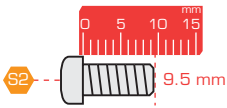
16

- S2 x 1
- x 1
- x 1






17

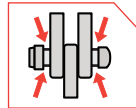
- S2 x 1
- x 1
- x 2
- x 1



18

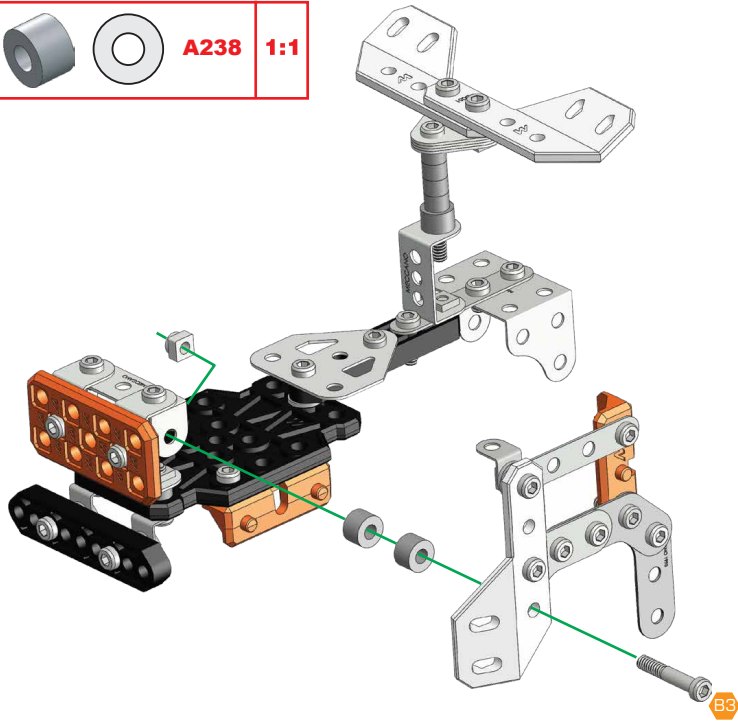
11+17

- B3 -  x 1
-  x 1
-  x 2







- B3 -  23 mm


-   **A238** **1:1**

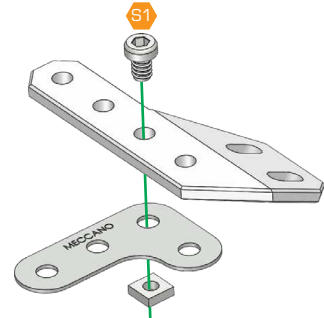


19




- S1 -  x 1
-  x 1
-  x 1
-  x 1



- S1 -  5.8 mm

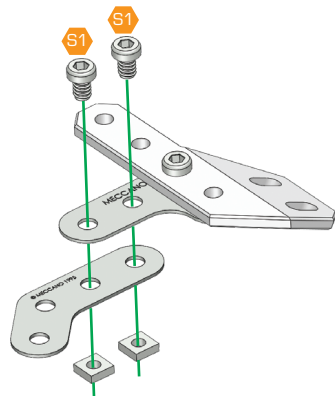


20

- S1 -  x 2
-  x 2
-  x 1

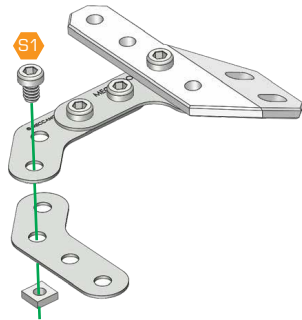
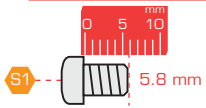


- S1 -  5.8 mm



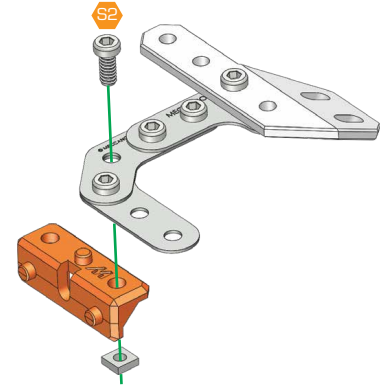
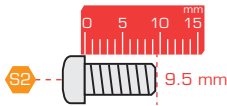
21

- S1 x 1
- x 1
- x 1



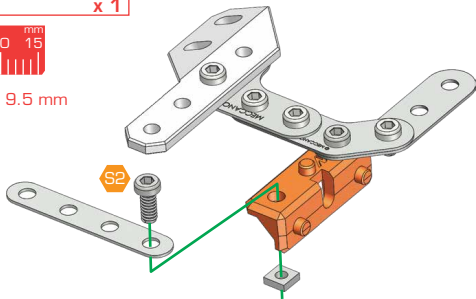
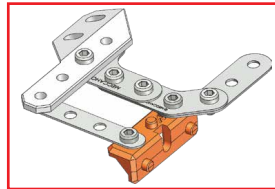
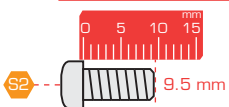
22

- S2 x 1
- x 1
- x 1



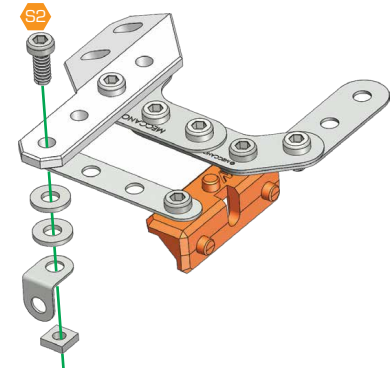
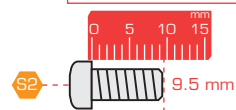
23

- S2 x 1
- x 1
- x 1



24

- S2 x 1
- x 1
- x 2
- x 1



25 18+24

B3 x 1
 x 1
 x 2

B3 23 mm

90°

A238 1:1




26

S1 x 2
 x 2
 x 2

S1 5.8 mm

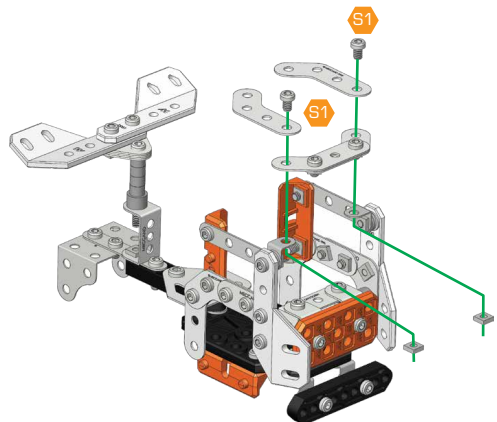
27

25+26




- S1  x 2
-  x 2
-  x 2



S1  5.8 mm

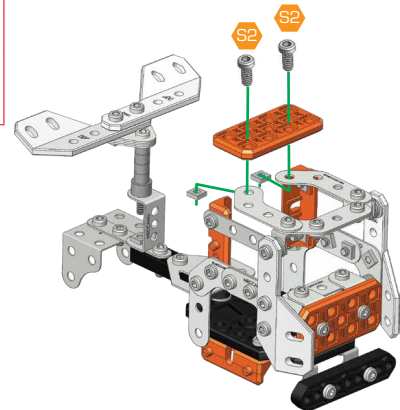


28





- S2  x 2
-  x 2
-  x 1



S2  9.5 mm

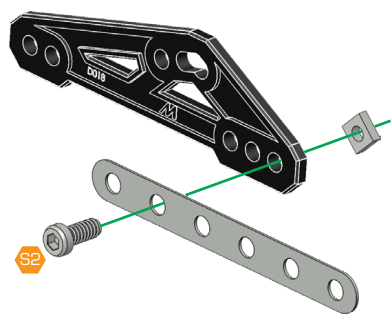


29




- S2  x 1
-  x 1
-  x 1
-  x 1

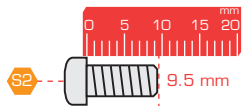


S2  9.5 mm

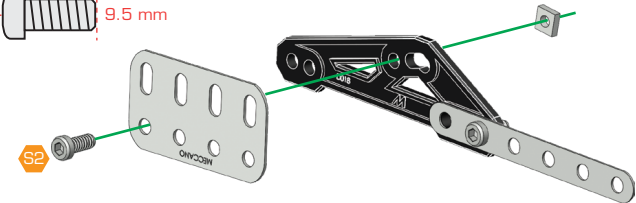


30





- S2  x 1
-  x 1
-  x 1

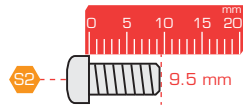


S2

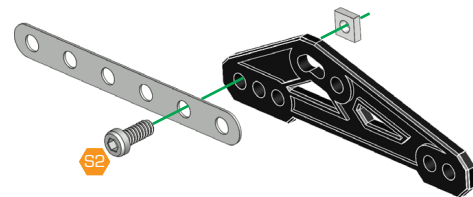


31




- S2  x 1
-  x 1
-  x 1
-  x 1

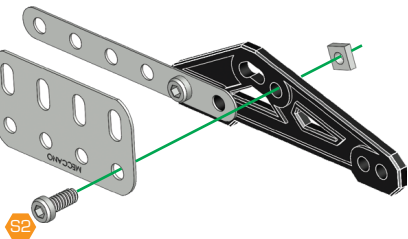
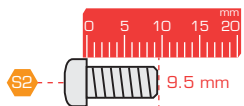


S2



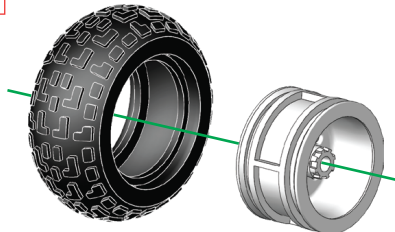
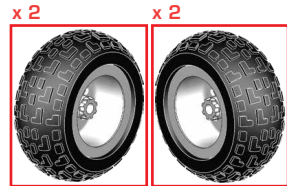
32

- S2  x 1
-  x 1
-  x 1




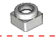


33

-  x 4
-  x 4

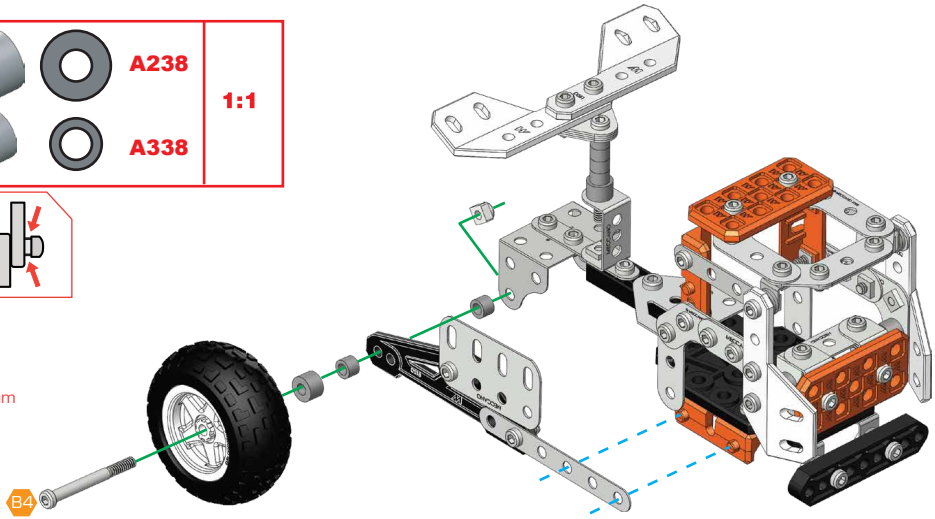
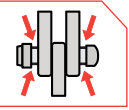


34

28+30+33





-  x 1
-  x 1
-  x 2
-  x 1

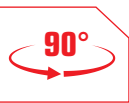
		A238	1:1
		A338	

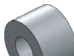





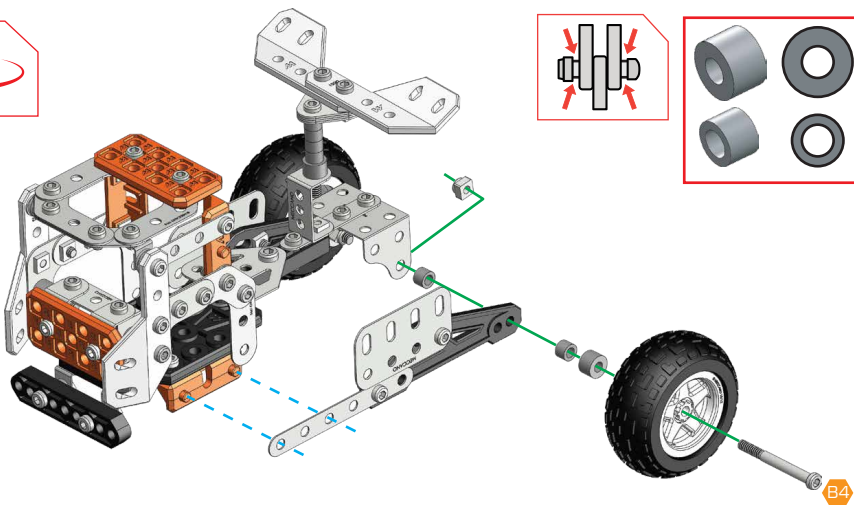
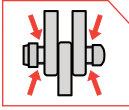
35

32+33+34

-  x 1
-  x 1
-  x 2
-  x 1



		A238	1:1
		A338	

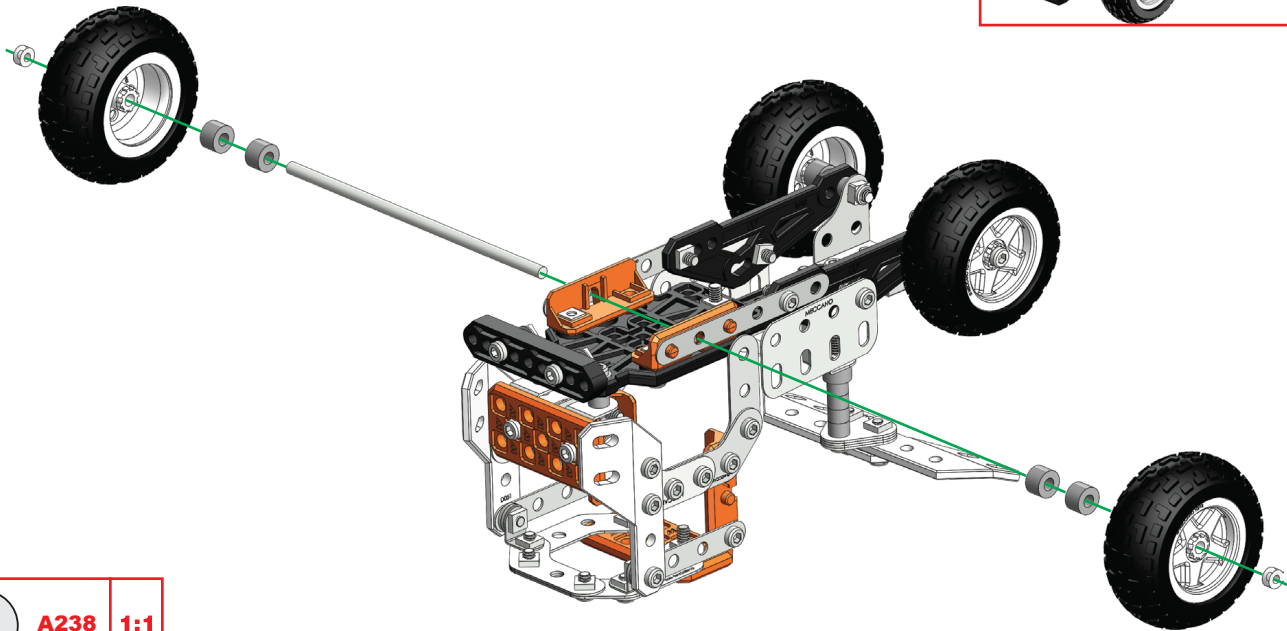
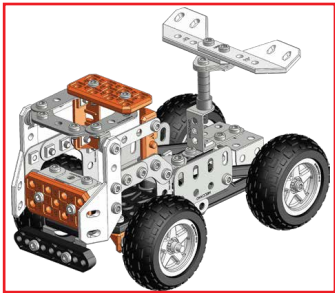
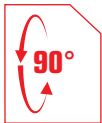


36 33+35

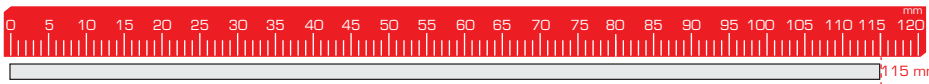
x 1

x 2

x 4



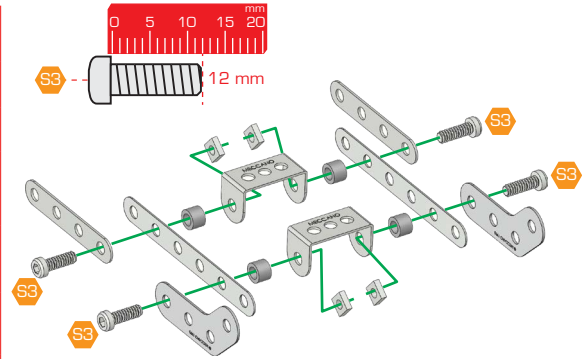
A238 1:1





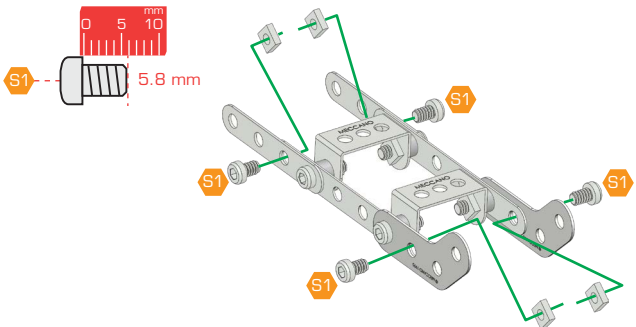
1

S3		x 4
		x 4
		x 4
		x 2
		x 2
		x 2



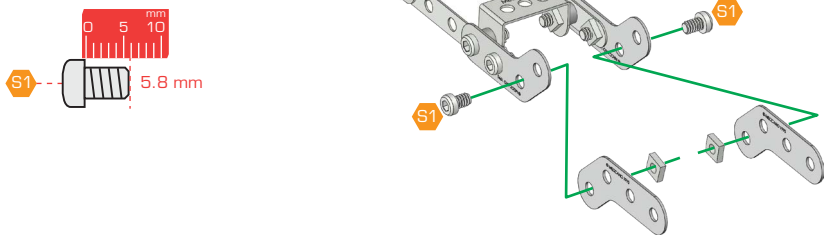
2

S1		x 4
		x 4






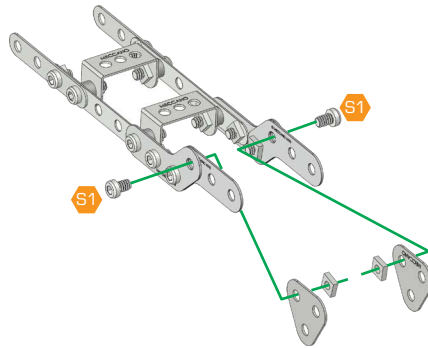
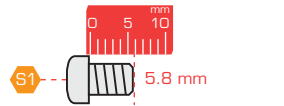
3

S1		x 2
		x 2
		x 2







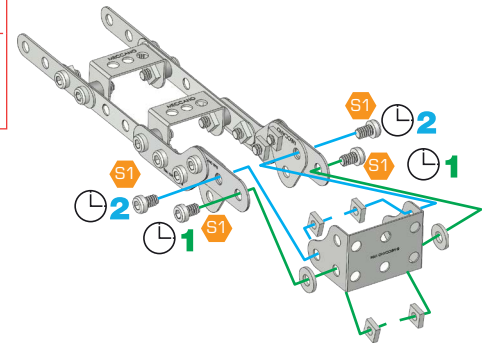
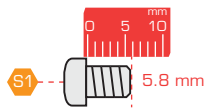
4

-  x 2
-  x 2
-  x 2




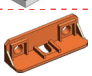



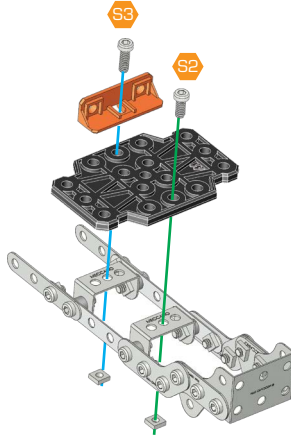
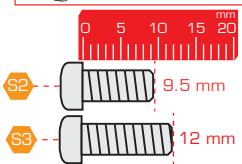
5

-  x 4
-  x 4
-  x 2
-  x 1



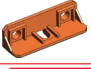


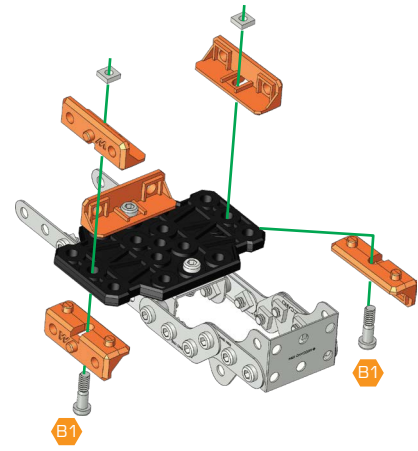
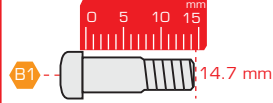
6

-  x 1
-  x 1
-  x 2
-  x 1
-  x 1






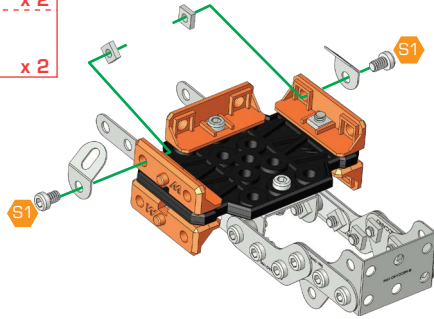
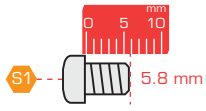
7

-  x 2
-  x 2
-  x 4






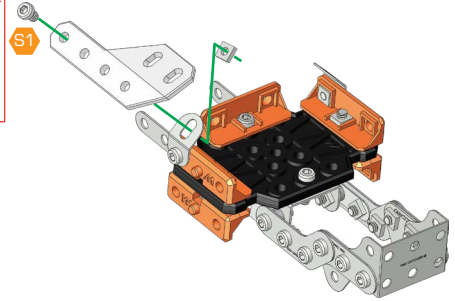
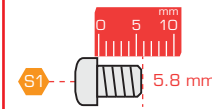
8

- S1  x 2
-  x 2
-  x 2






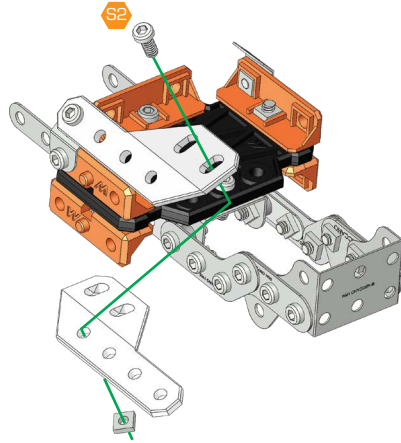
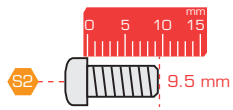
9

- S1  x 1
-  x 1
-  x 1






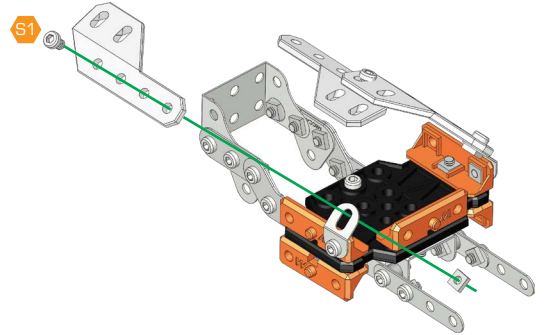
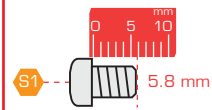
10

- S2  x 1
-  x 1
-  x 1



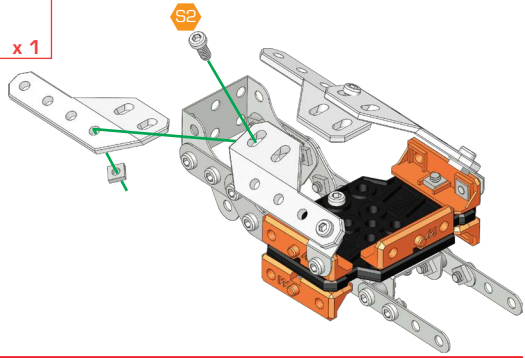
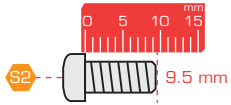
11

- S1  x 1
-  x 1
-  x 1



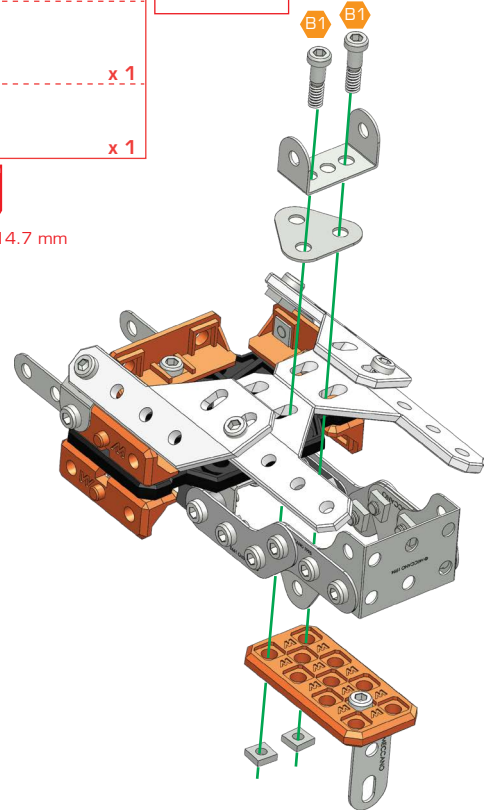
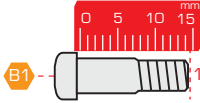
12

- S2 x 1
- x 1
- x 1



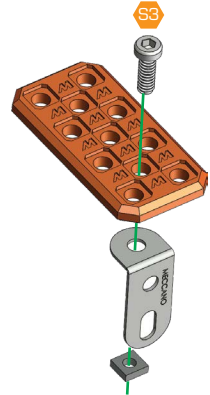
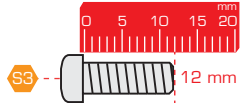
14 12+13

- B1 x 2
- x 2
- x 1
- x 1

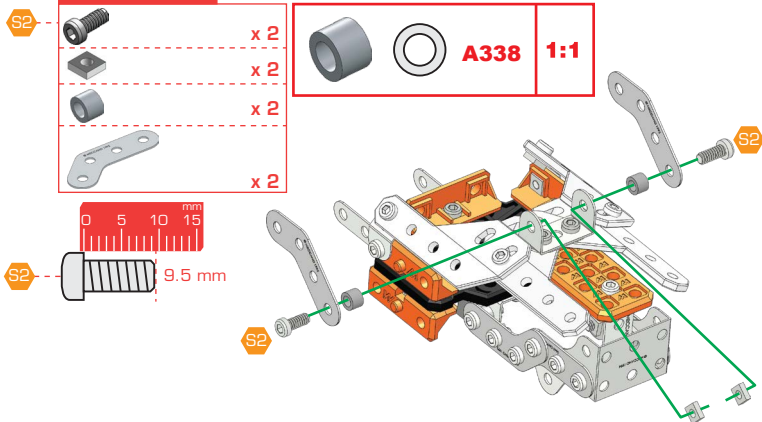


13

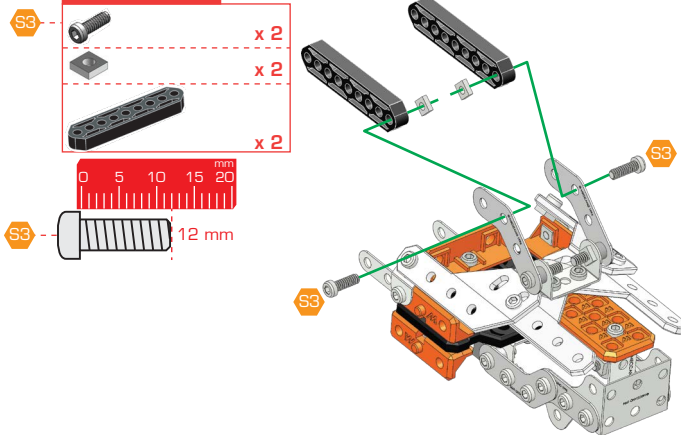
- S3 x 1
- x 1
- x 1



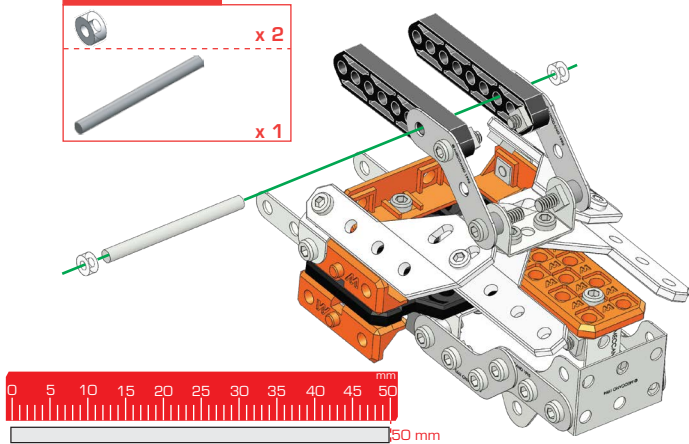
15



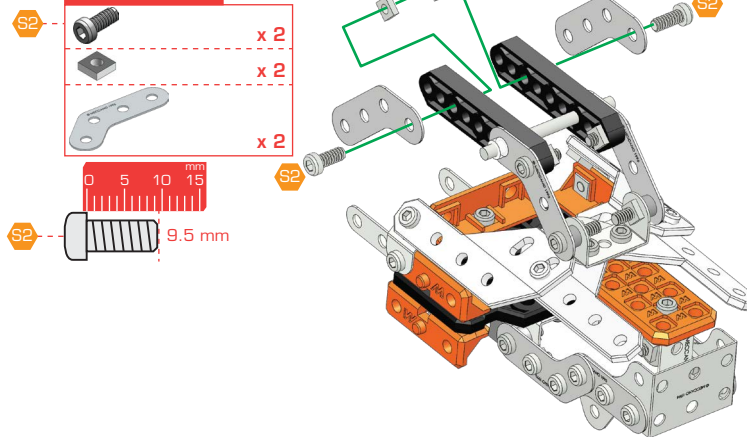
16



17

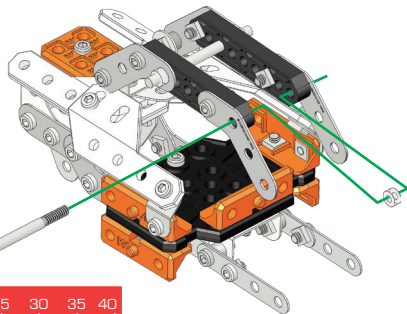


18



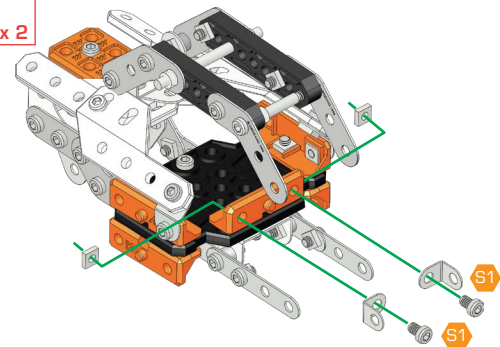
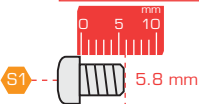
19

- B4 x 1
- x 1



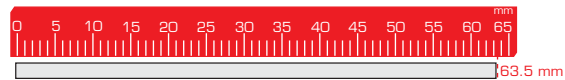
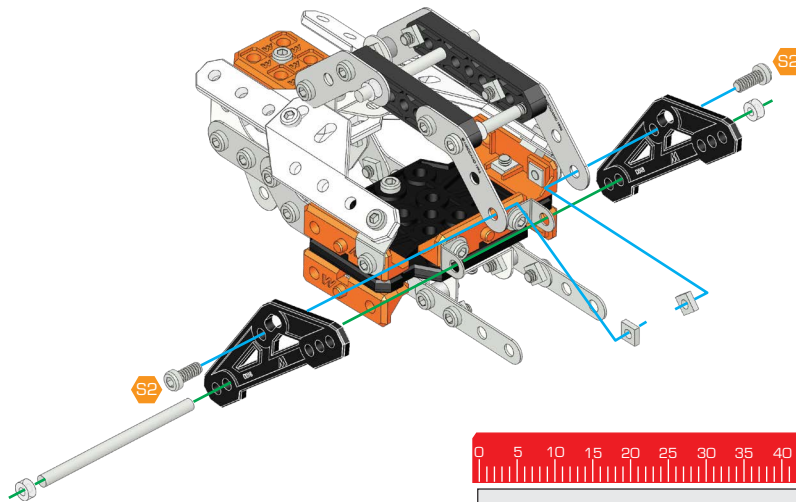
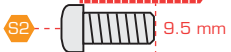
20

- S1 x 2
- x 2
- x 2

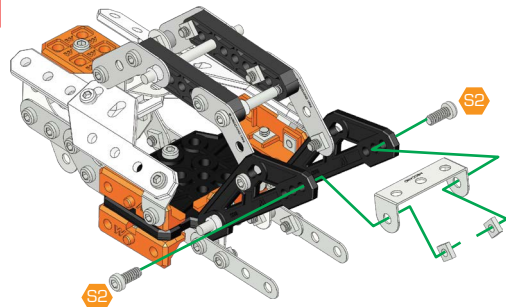
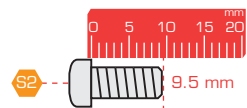
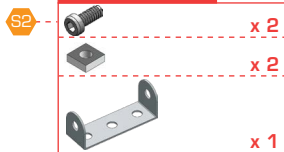


21

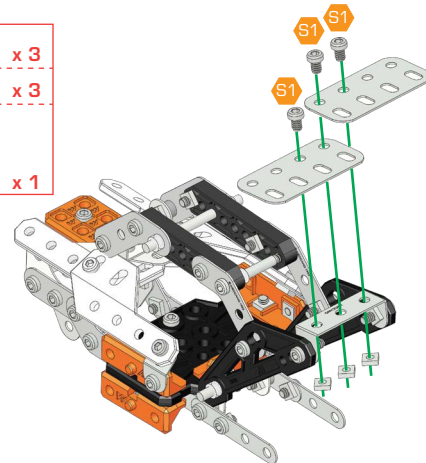
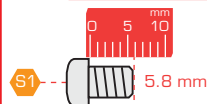
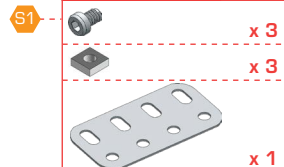
- S2 x 2
- x 2
- x 2
- x 2
- x 1



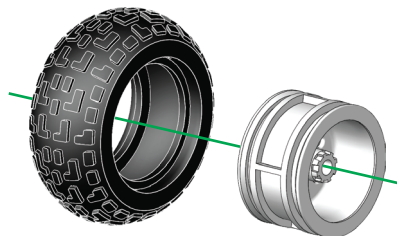
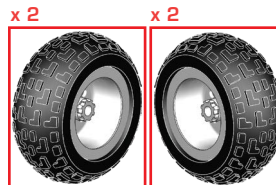
22







23



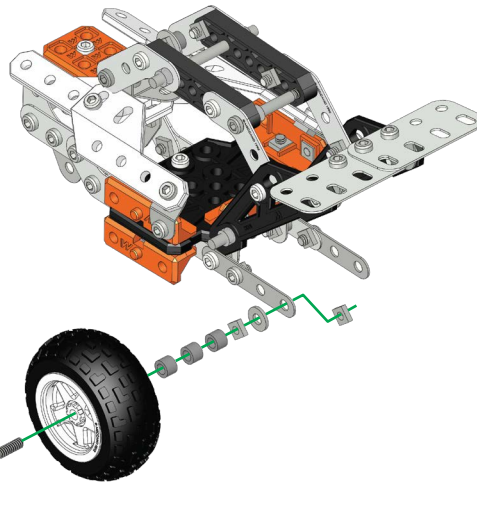
24







25 23+24

	x 1
	x 3
	x 2
	x 1

		A338	1:1
---	---	-------------	------------

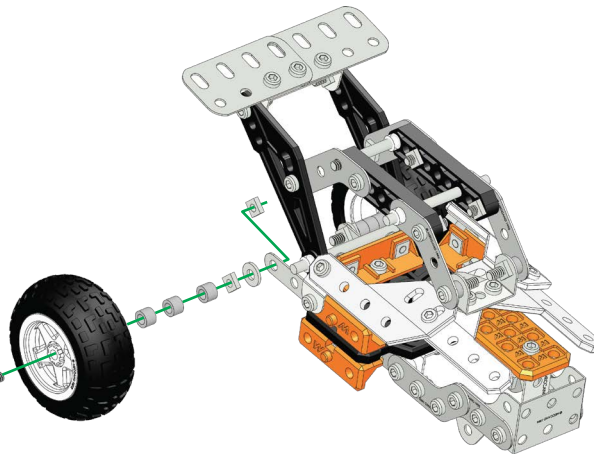


26 24+25





	x 1
	x 3
	x 2
	x 1

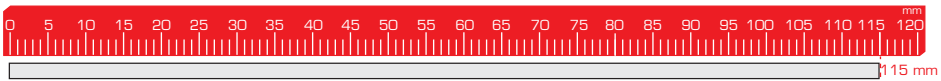
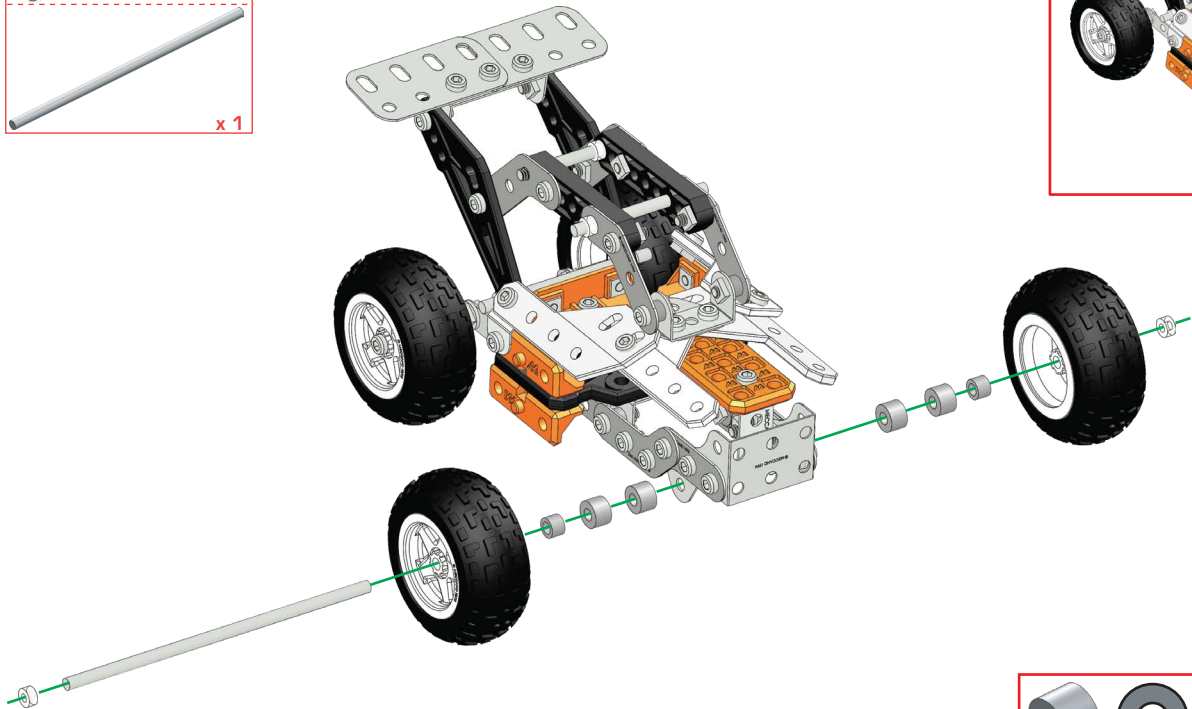






		A338	1:1
---	---	-------------	------------

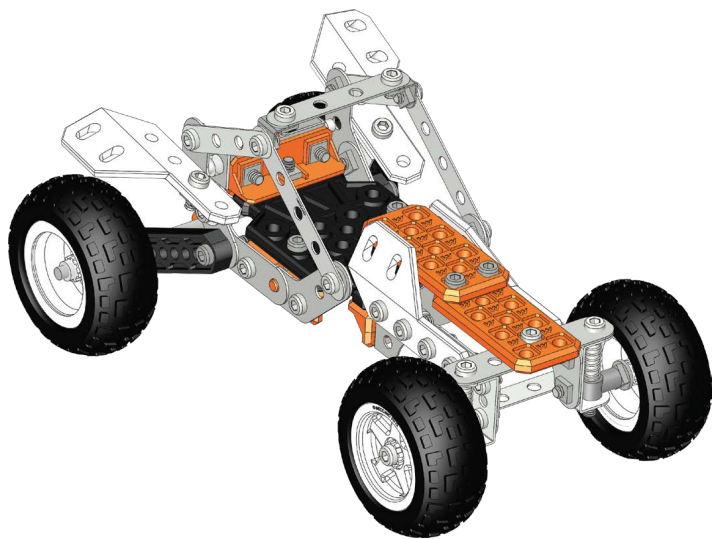


27 24+26




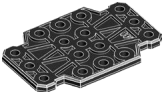
-  x 2
-  x 4
-  x 2
-  x 1

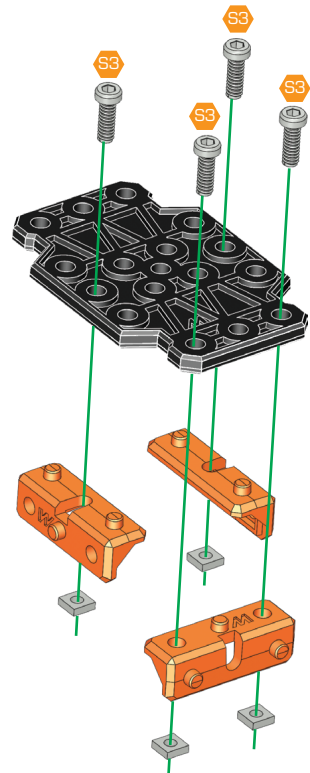
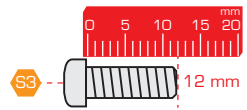


		A238	1:1
		A338	



1

-  x 4
-  x 4
-  x 3
-  x 1

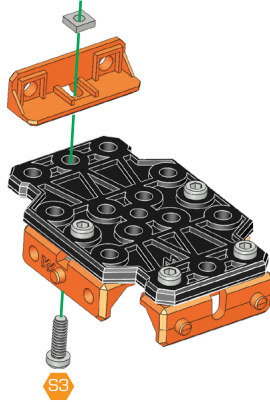


2

- S3 x 1
- x 1
- x 2



- S3 12 mm

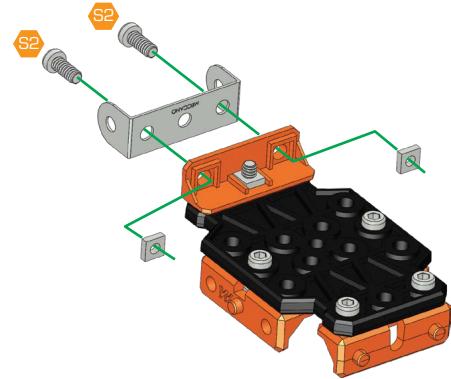


3

- S2 x 2
- x 2
- x 1

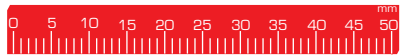
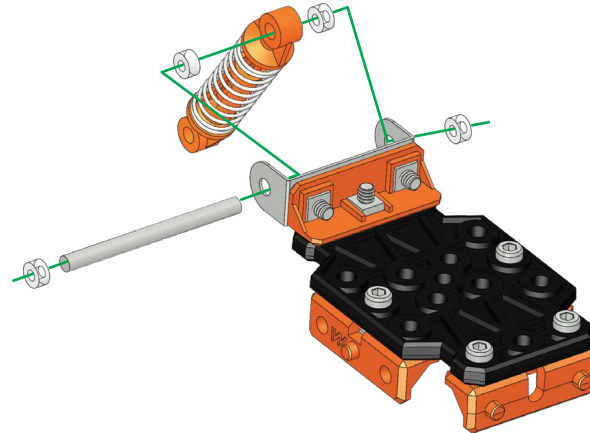


- S2 9.5 mm



4

- x 4
- x 1
- x 1



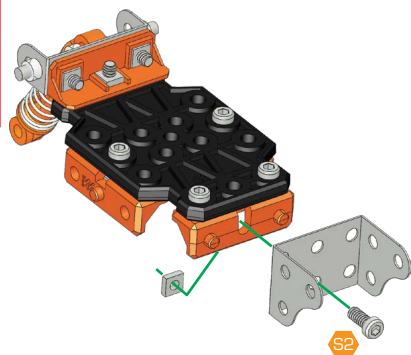
50 mm

5

- S2 x 1
- x 1
- x 1



- S2 9.5 mm

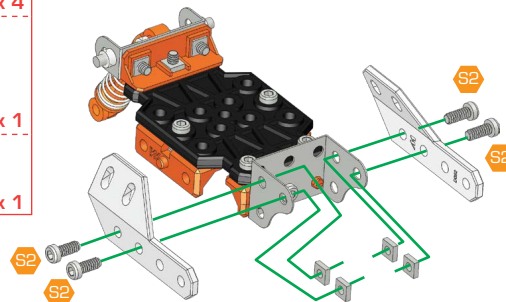


6

- S2 x 4
- x 4
- x 1
- x 1



- S2 9.5 mm

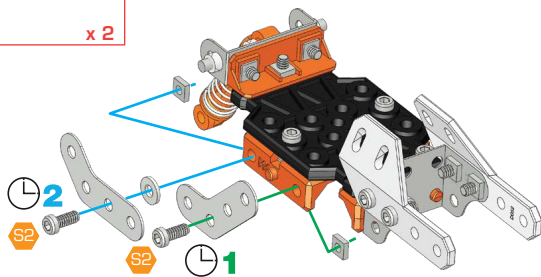


7

- S2 x 2
- x 2
- x 1
- x 2



- S2 9.5 mm

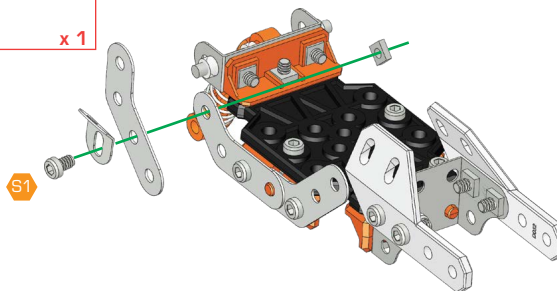


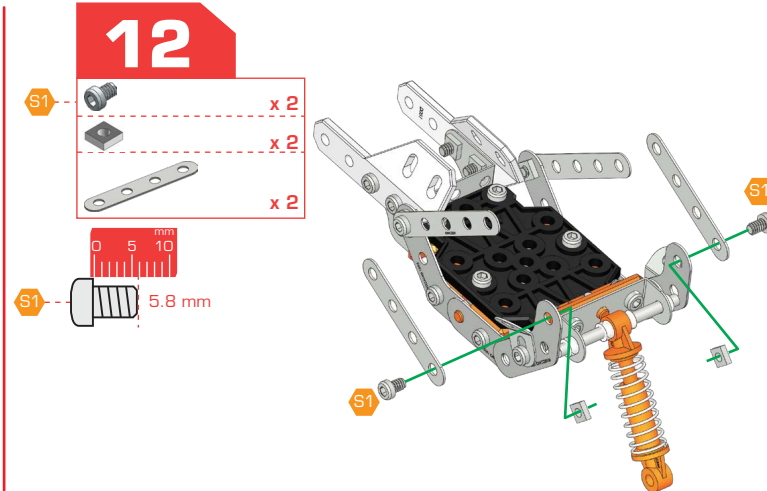
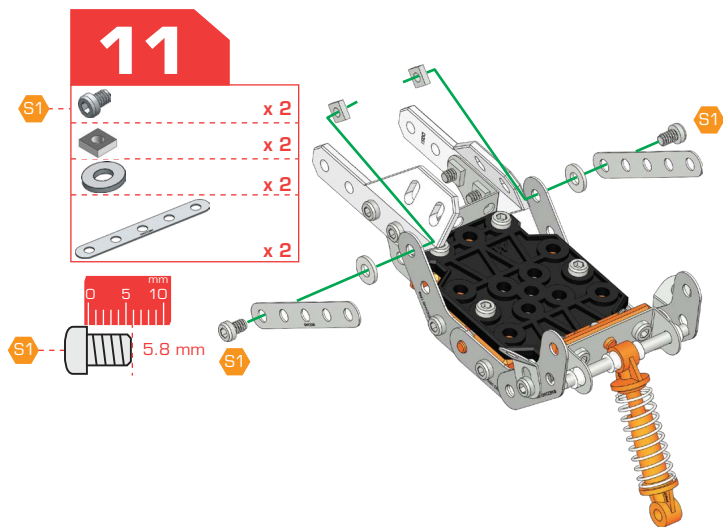
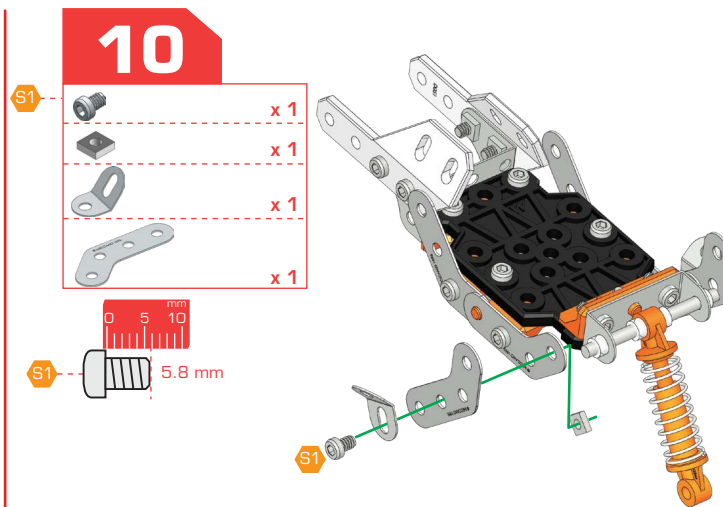
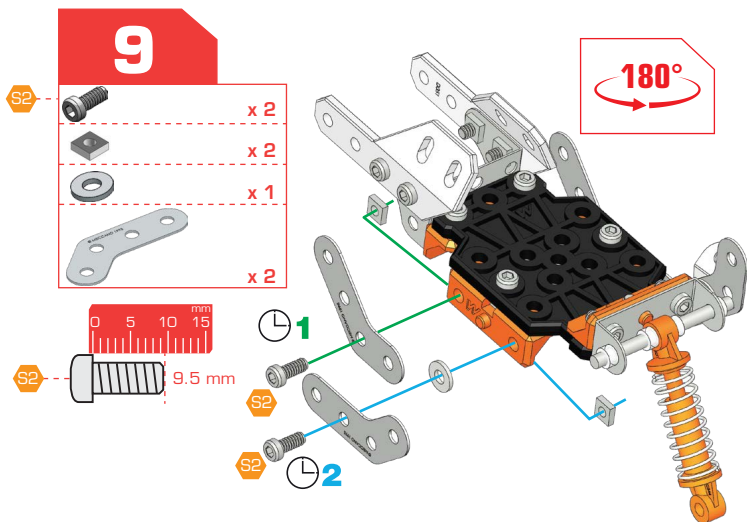
8

- S1 x 1
- x 1
- x 1
- x 1






- S1 5.8 mm



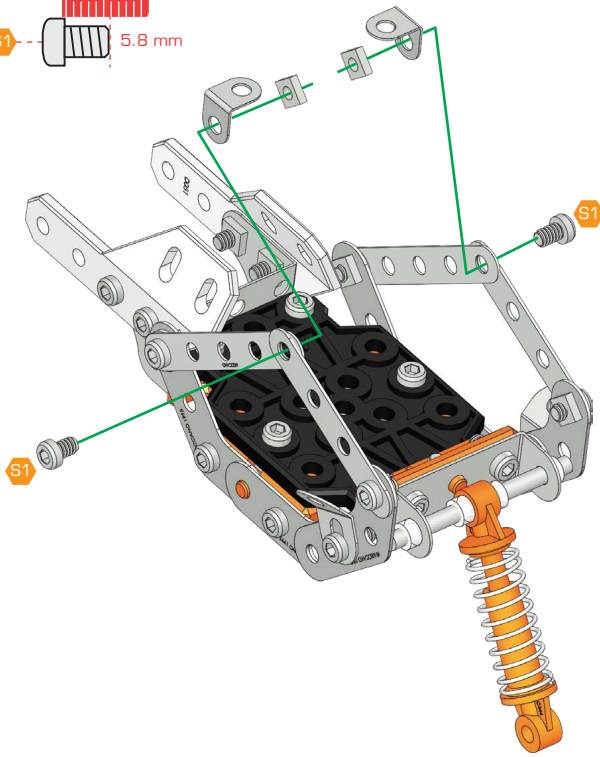


13




- S1  x 2
-  x 2
-  x 2



S1  5.8 mm

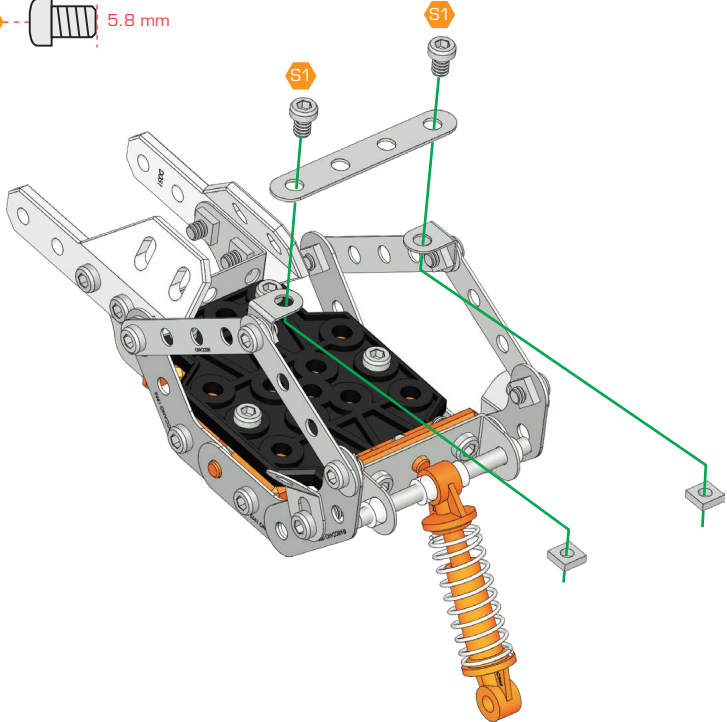


14

- S1  x 2
-  x 2
-  x 1



S1  5.8 mm



15

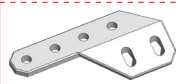
S2



x 1



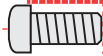
x 1



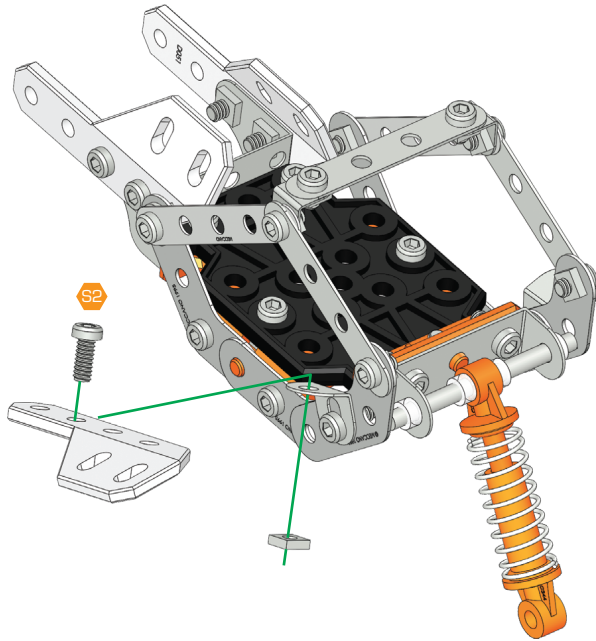
x 1



S2



9.5 mm



16

S2



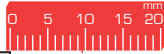
x 1



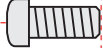
x 1



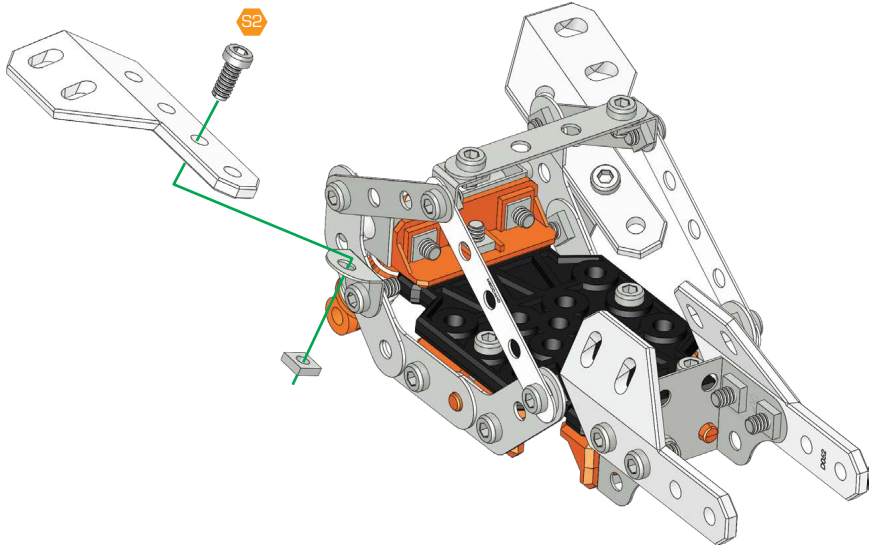
x 1



S2



9.5 mm

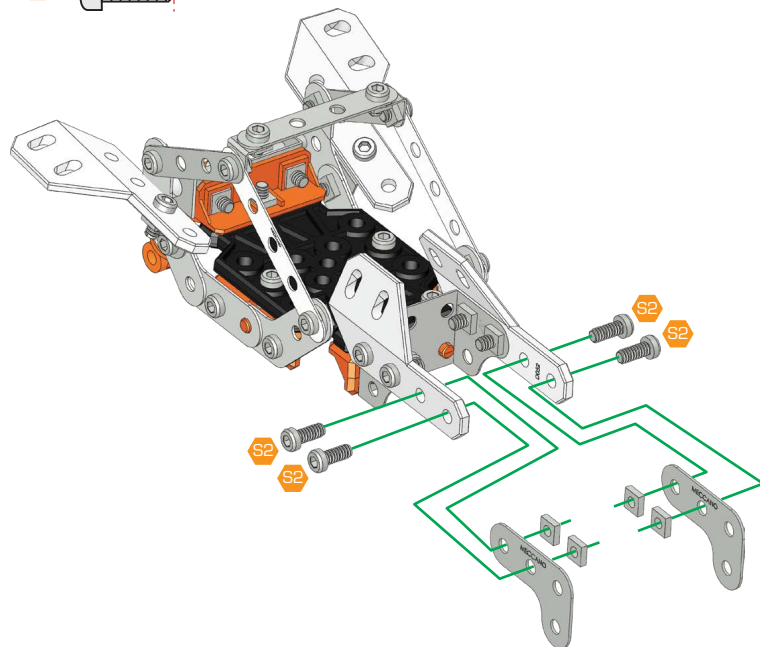


17

- S2 x 4
- x 4
- x 2



S2 9.5 mm

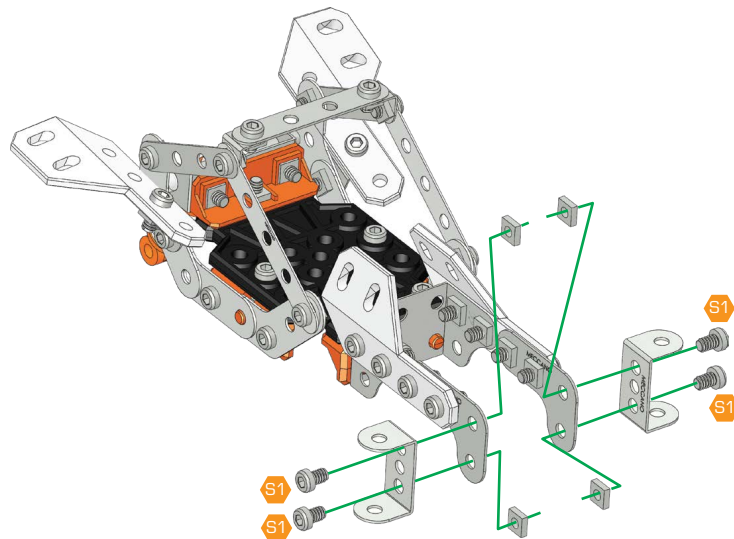


18





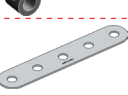
- S1 x 4
- x 4
- x 2

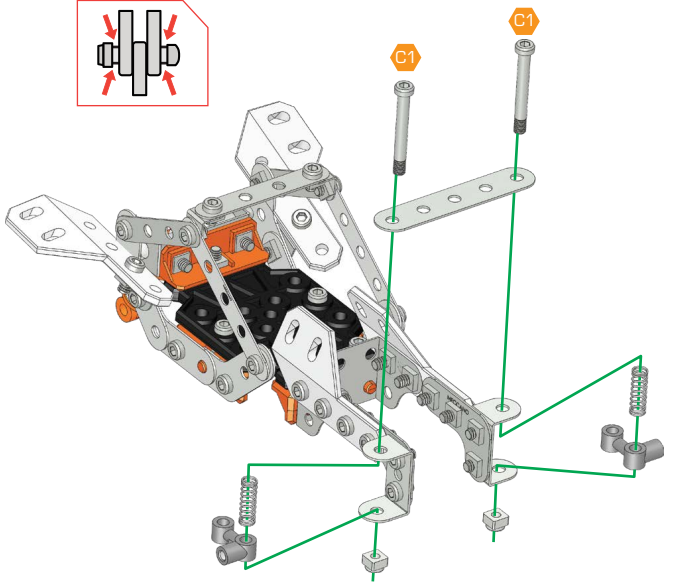
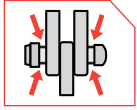
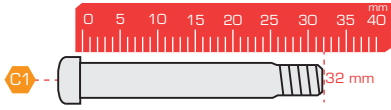


S1 5.8 mm



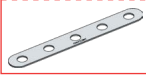


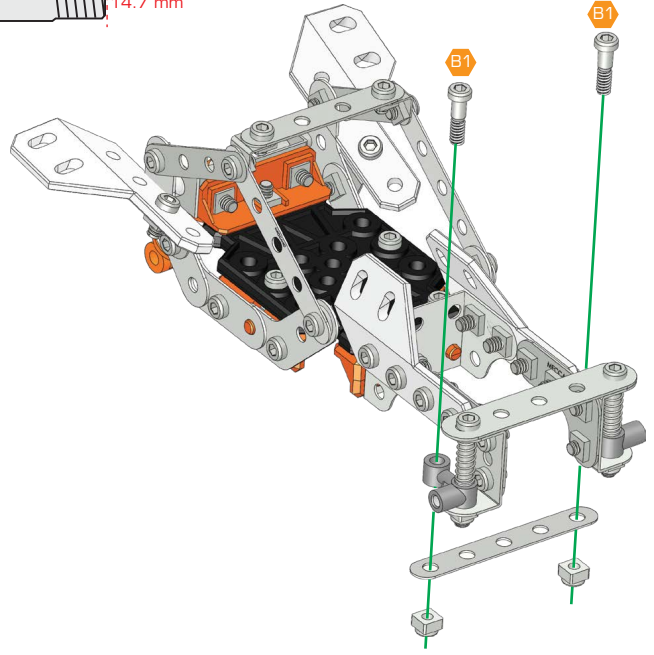
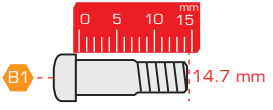
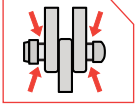
19

- C1  x 2
-  x 2
-  x 2
-  x 2
-  x 2

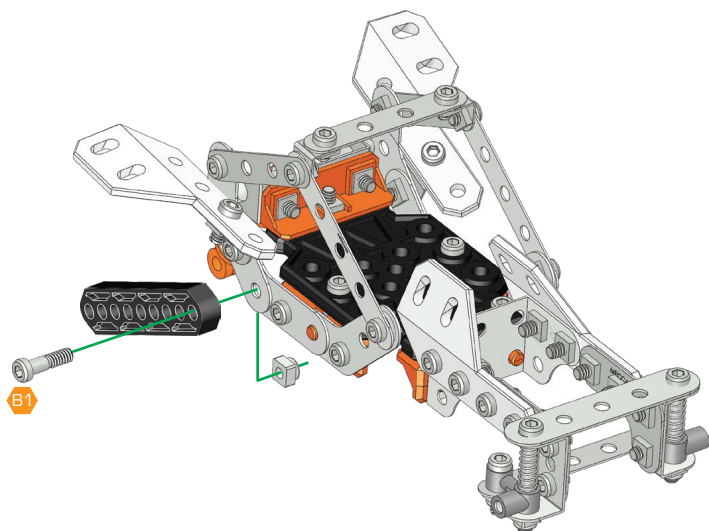
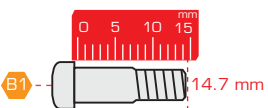
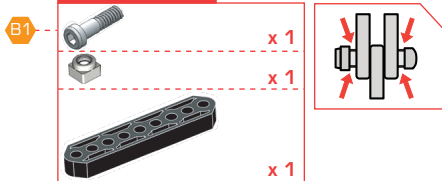


20

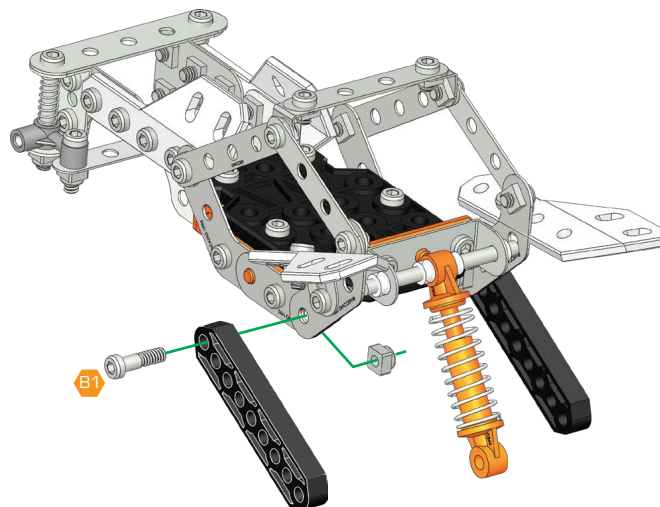
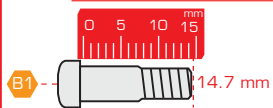
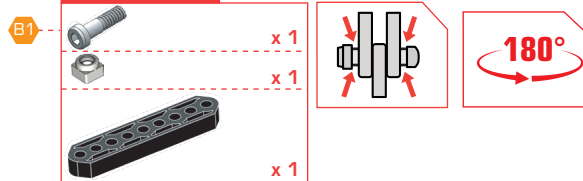
- B1  x 2
-  x 2
-  x 1



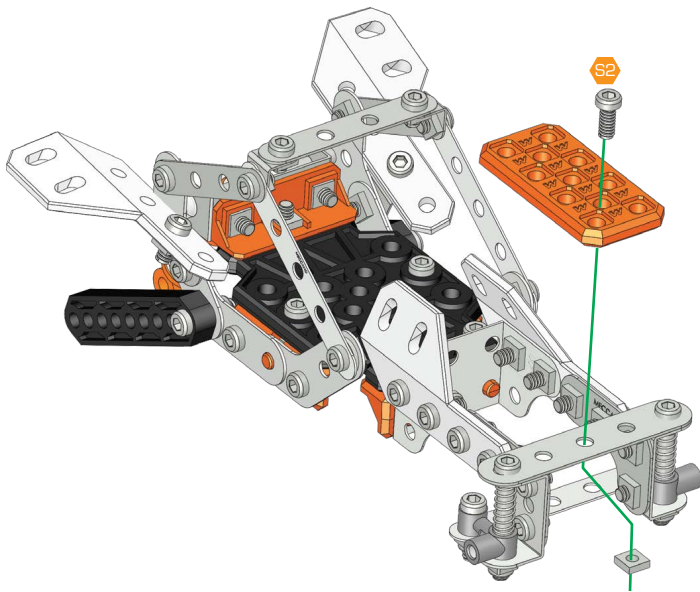
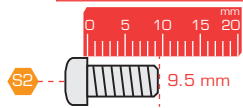
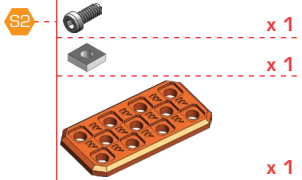
21



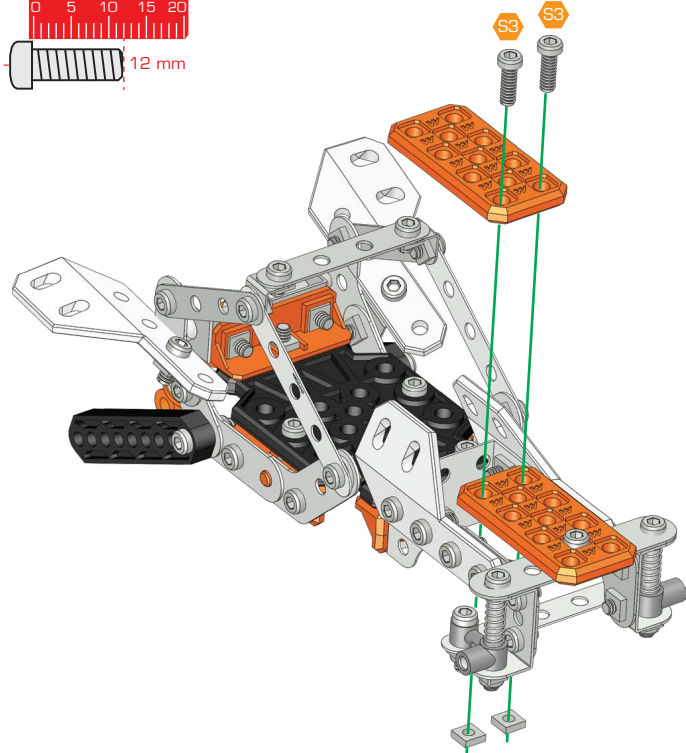
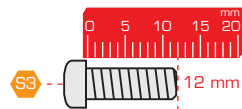
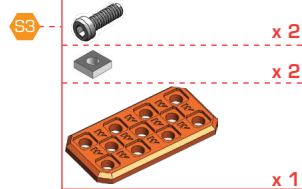
22



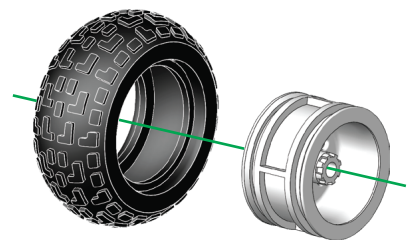
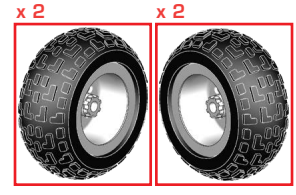
23



24

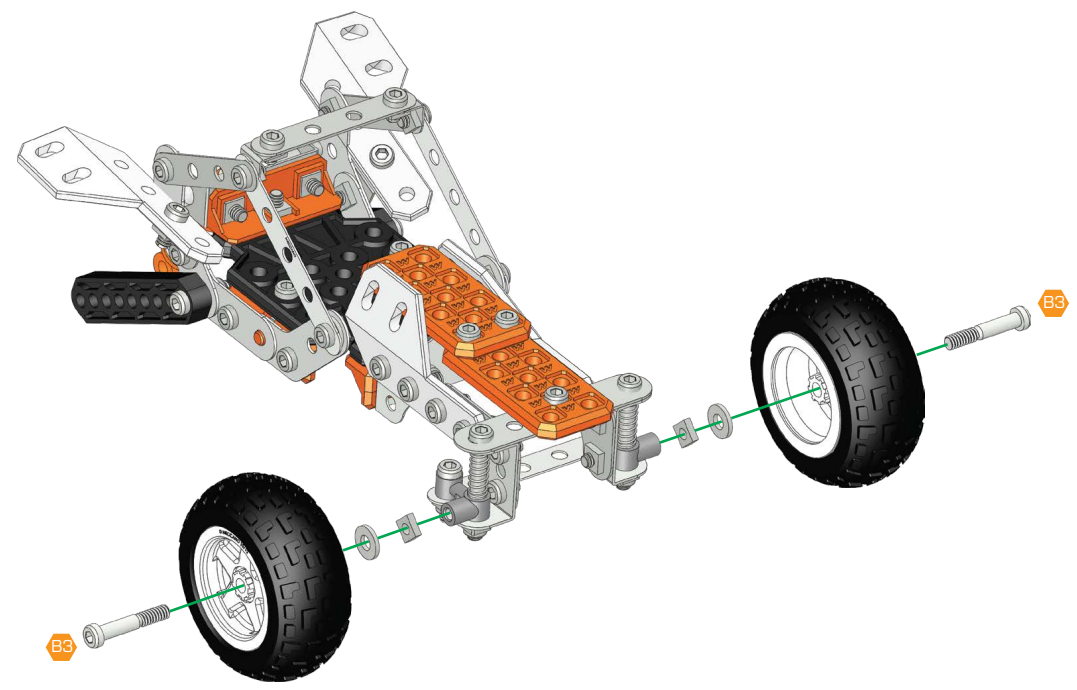
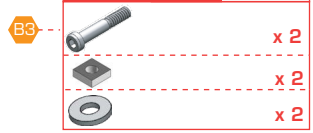


25






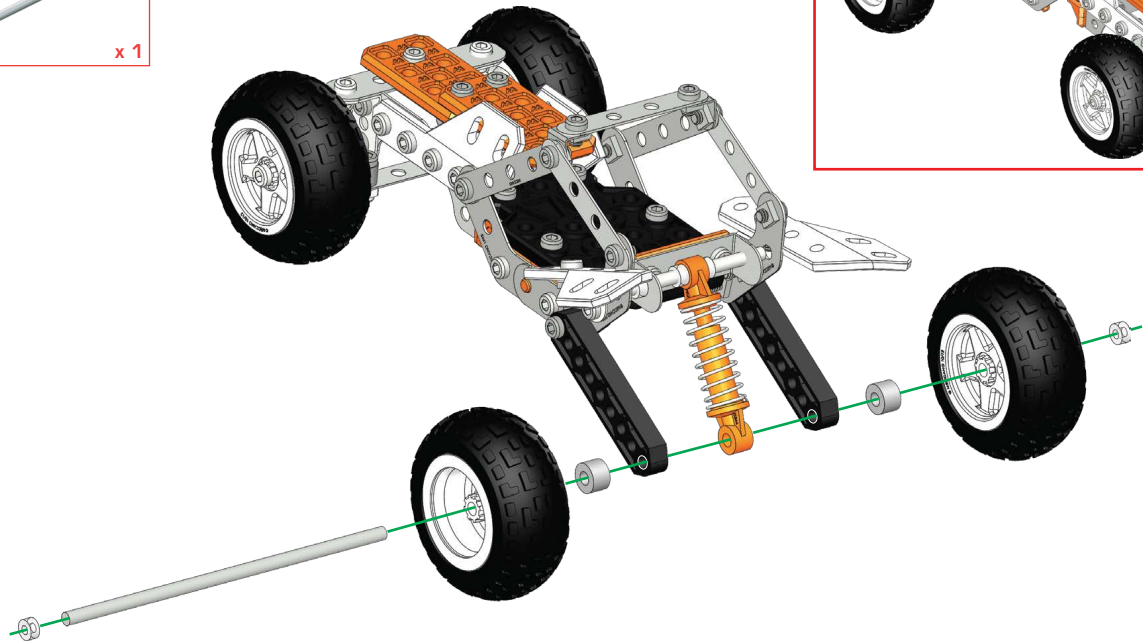
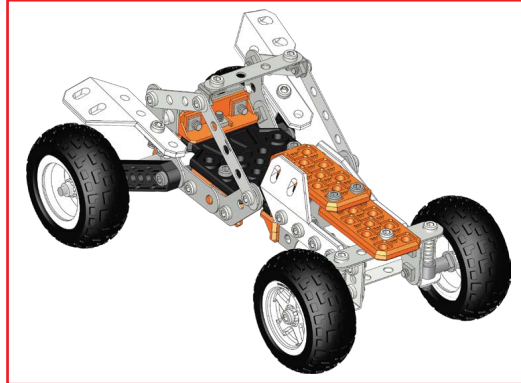
26

24+25

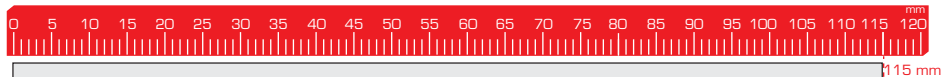


27 25+26

-  x 2
-  x 2
-  x 1







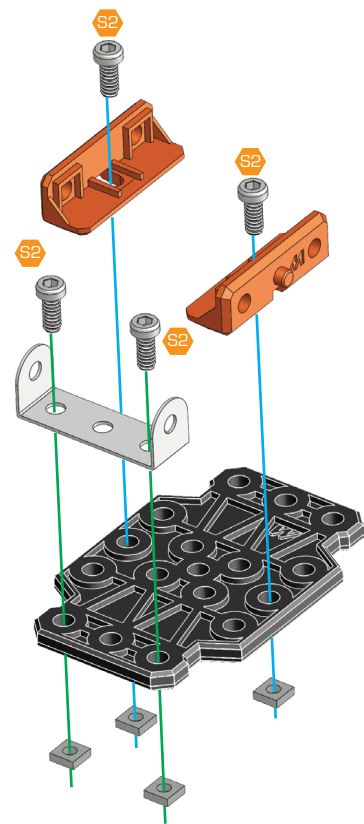
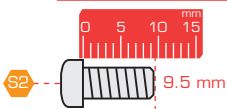
		A238	1:1
---	---	-------------	------------











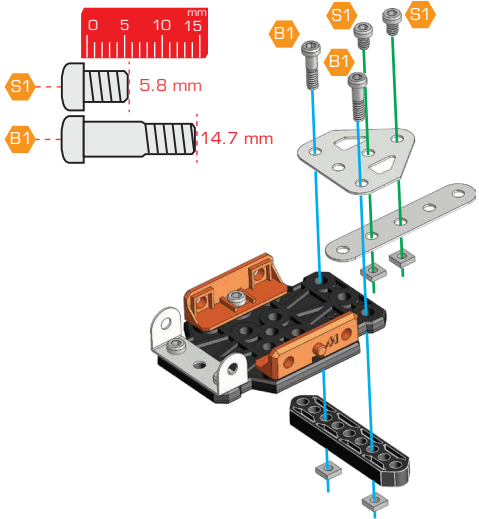
1

-  x 4
-  x 4
-  x 1
-  x 2
-  x 1








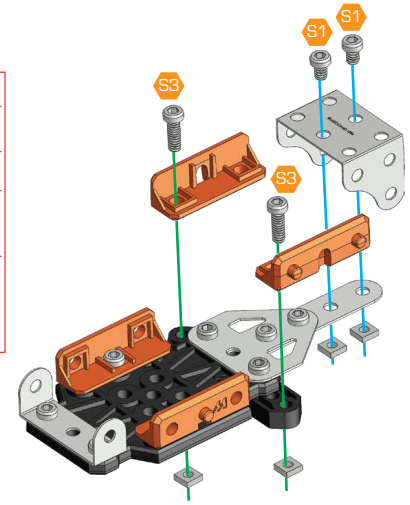
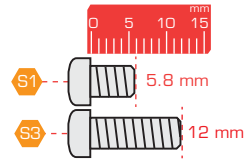
2

-  x 2
-  x 2
-  x 4
-  x 1
-  x 1
-  x 1








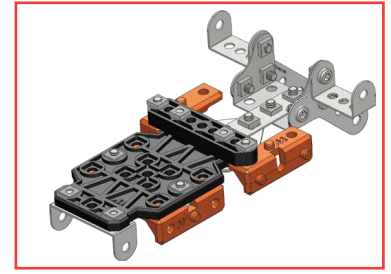
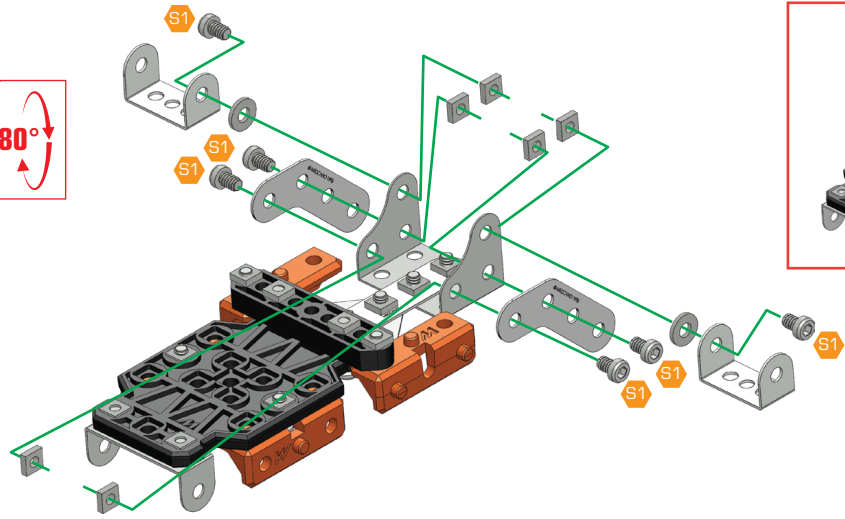
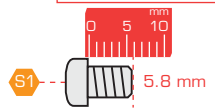
3

-  x 2
-  x 2
-  x 4
-  x 2
-  x 1











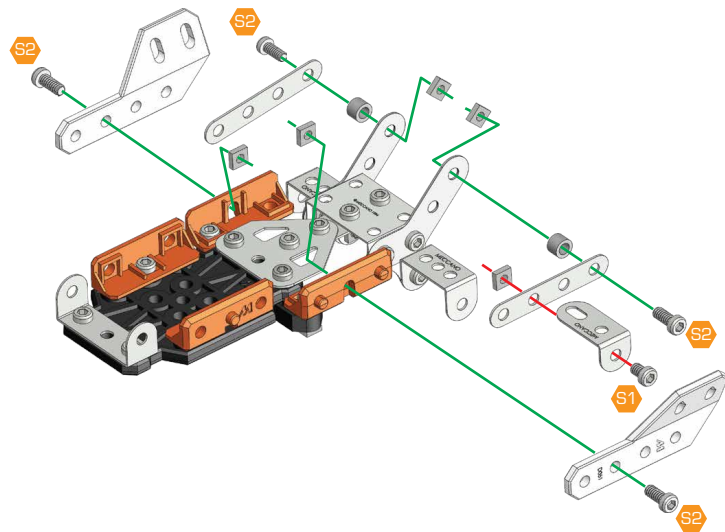
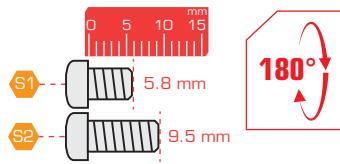
4

-  x 6
-  x 6
-  x 2
-  x 2
-  x 2





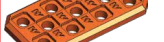


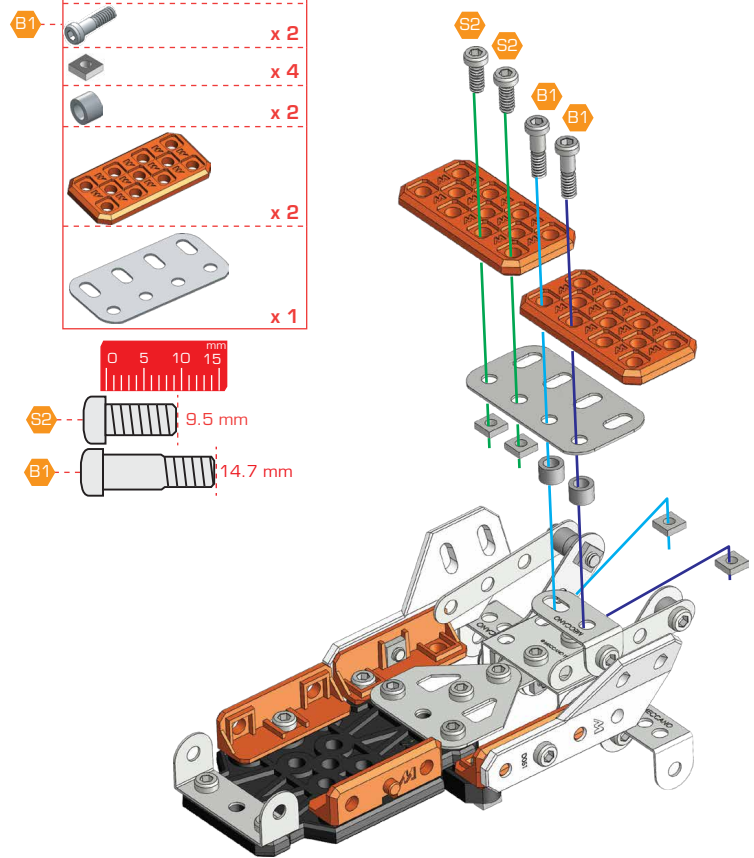
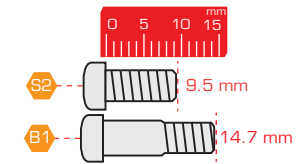
5

-  x 1
-  x 4
-  x 5
-  x 2
-  x 1
-  x 1
-  x 2
-  x 1



6

-  x 2
-  x 2
-  x 4
-  x 2
-  x 2
-  x 1

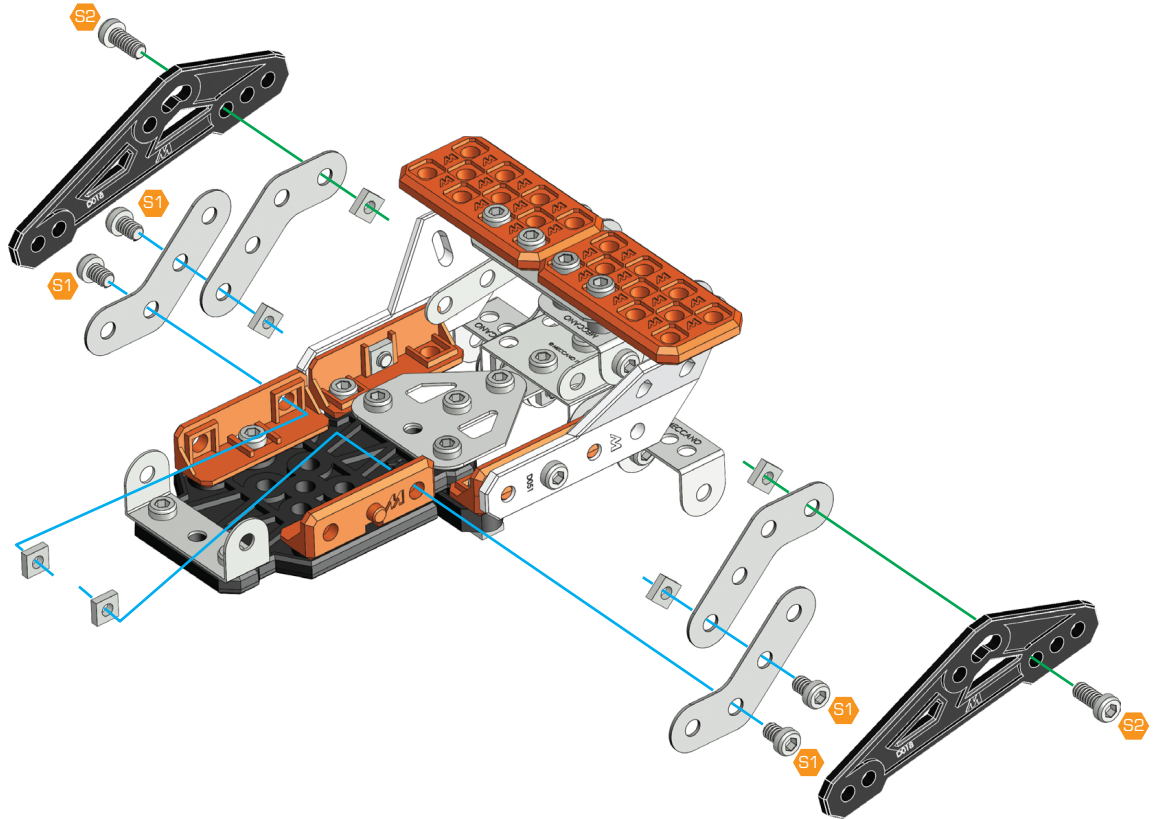


7





- S1 x 4
- S2 x 2
- x 6
- x 4
- x 2

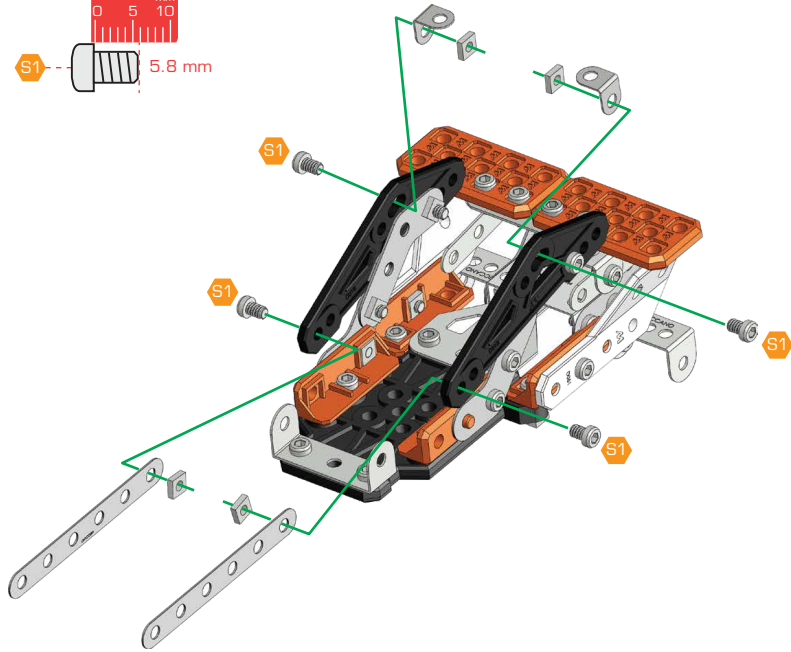
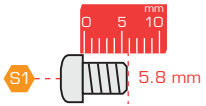


- S1 5.8 mm
- S2 9.5 mm






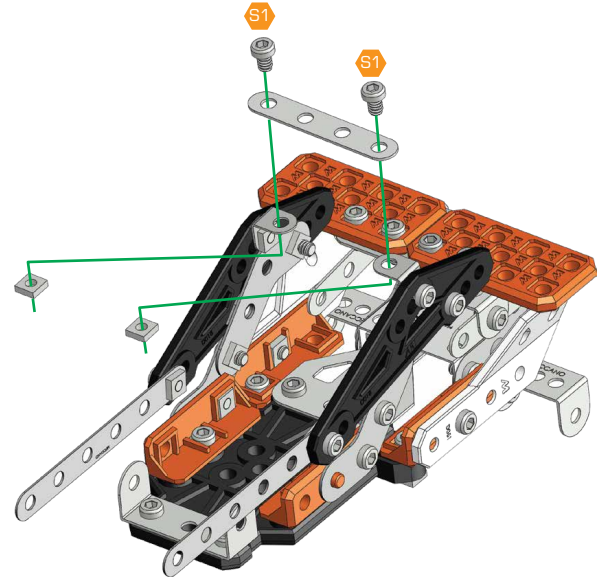
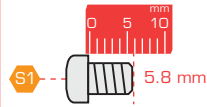
8

-  x 4
-  x 4
-  x 2
-  x 2


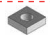





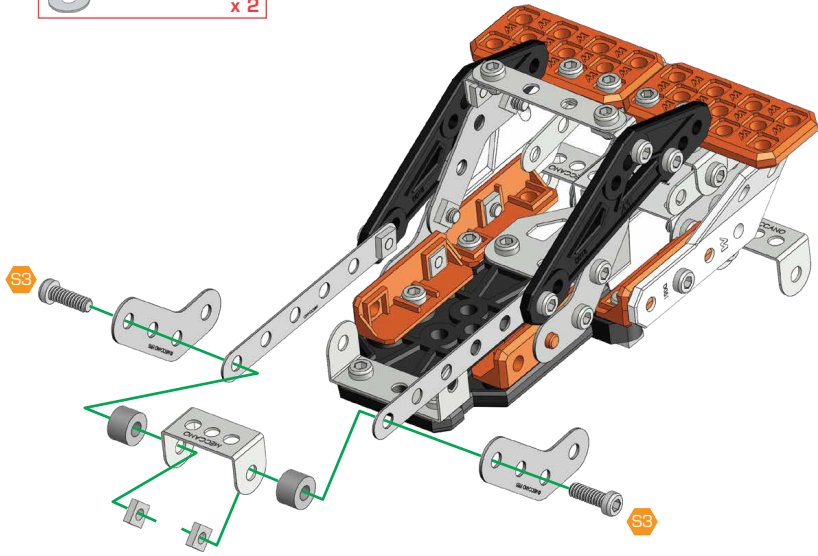
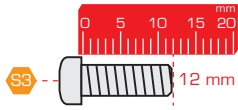
9

-  x 2
-  x 2
-  x 1



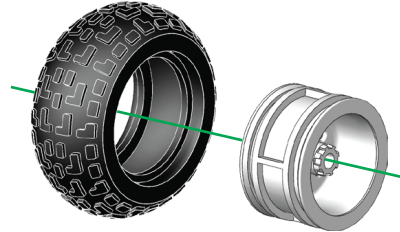
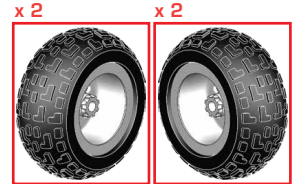
10

-  x 2
-  x 2
-  x 2
-  x 1
-  x 2







11

-  x 4
-  x 4

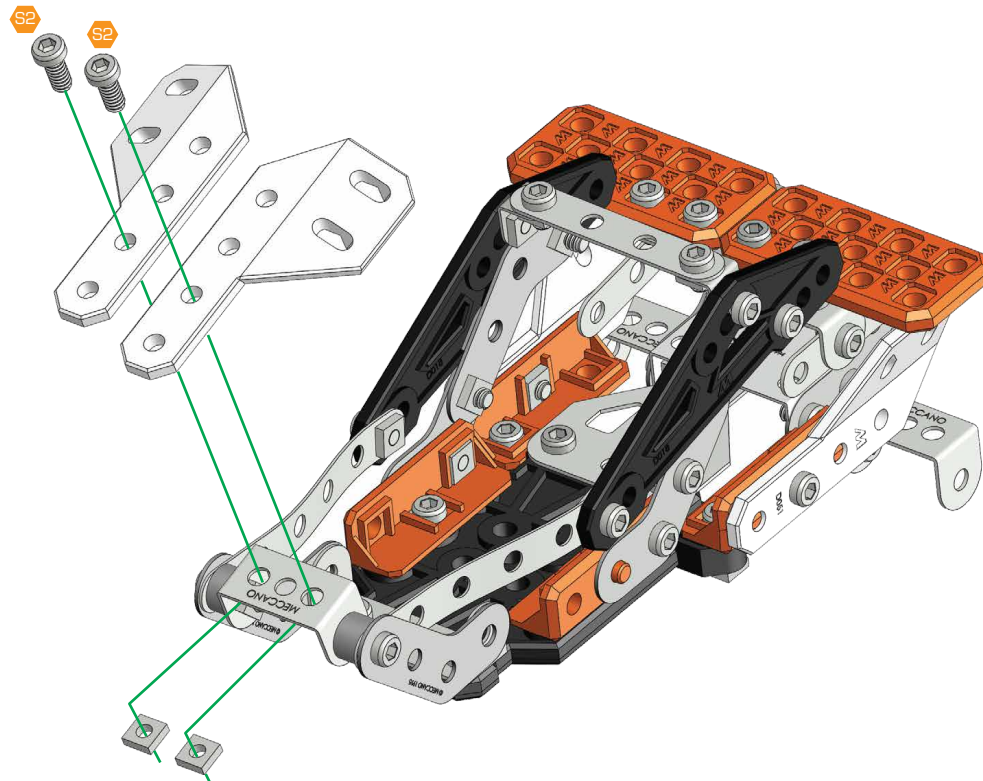


12

-  x 2
-  x 2
-  x 1
-  x 1




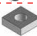




 9.5 mm

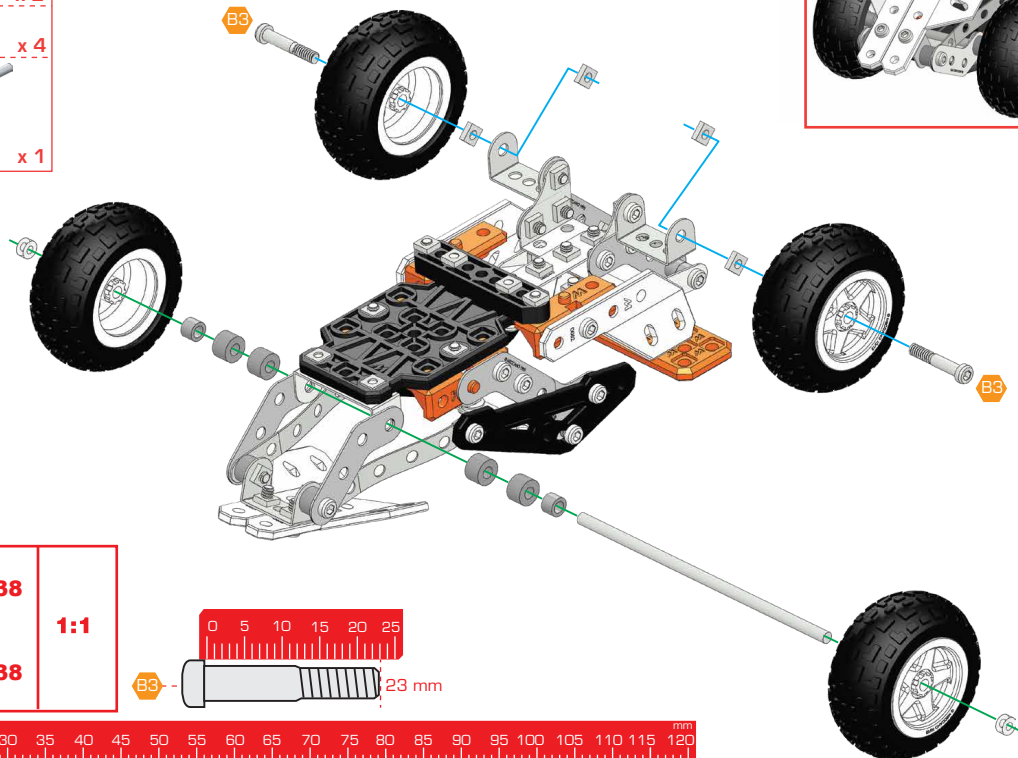
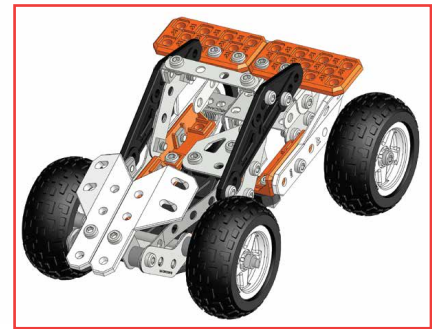






13

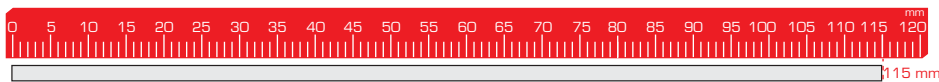
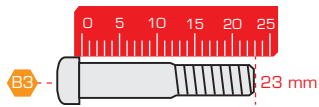
11+12

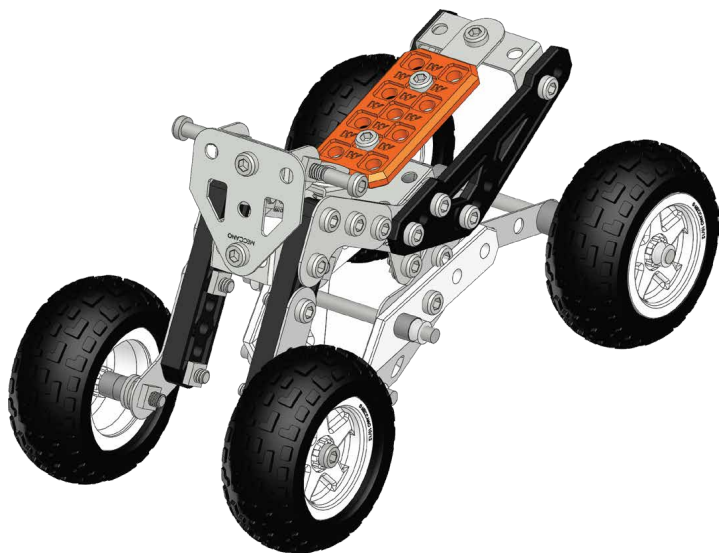


-  x 2
-  x 4
-  x 2
-  x 2
-  x 4
-  x 1





- | | | |
|---|---|-------------|
|  |  | A238 |
|  |  | A338 |
- 1:1**








1

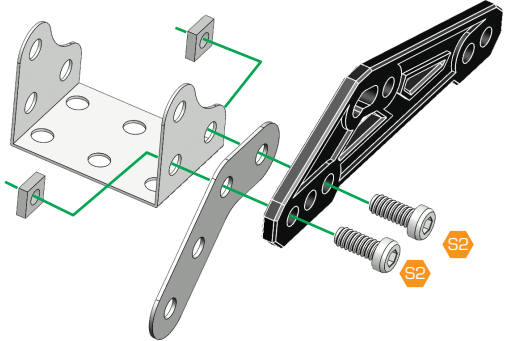
- S2

x 2

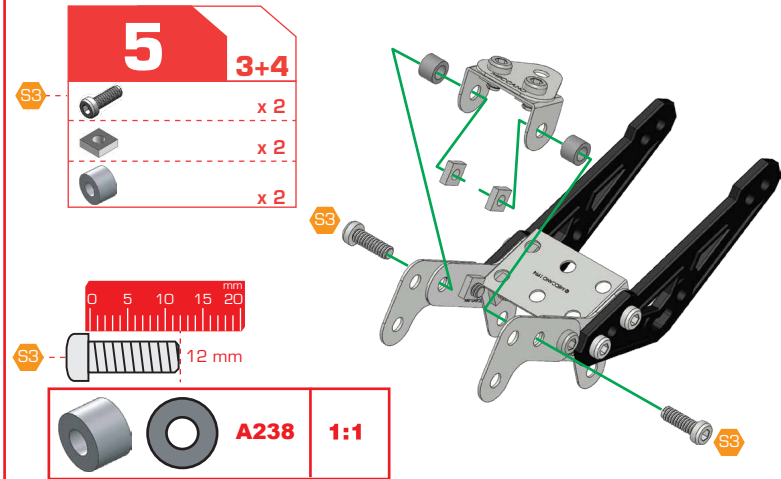
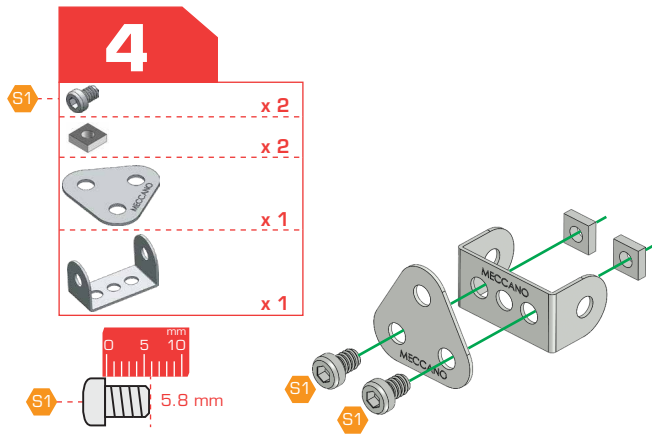
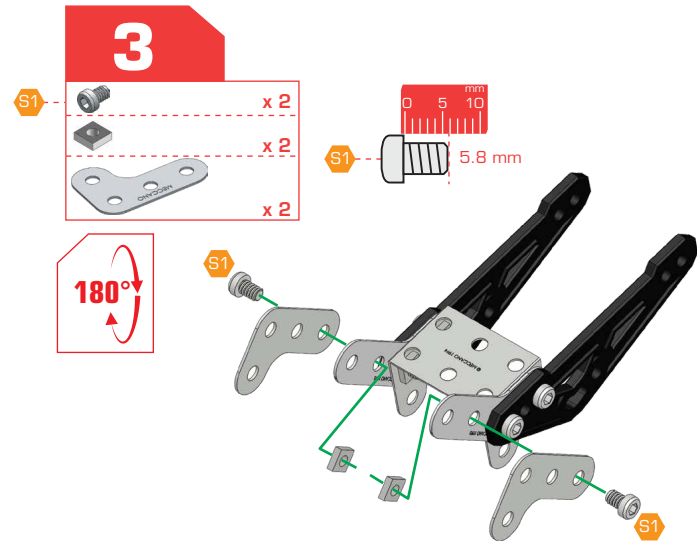
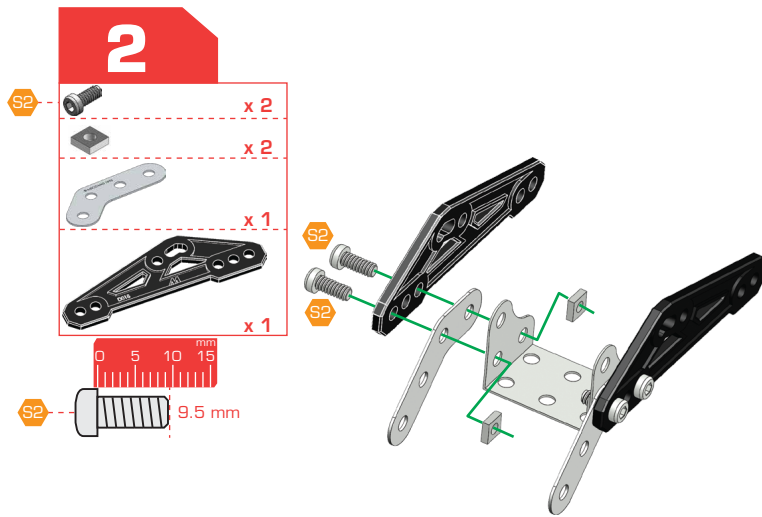
- S2

x 2

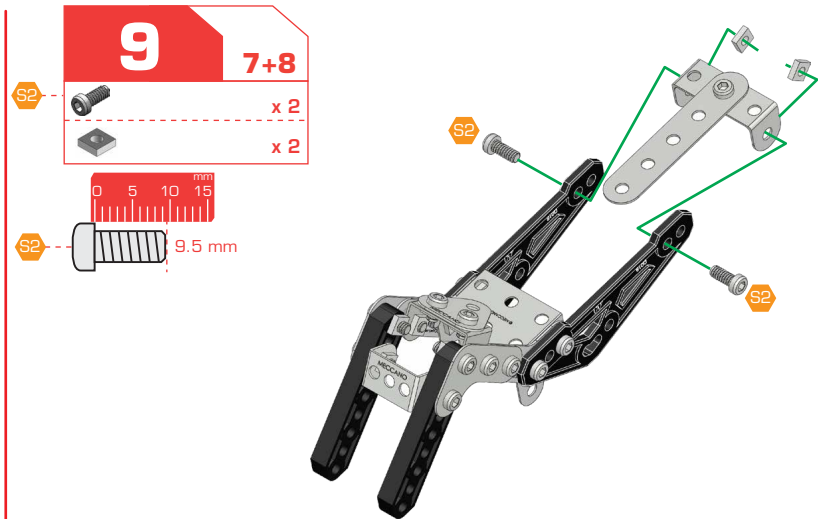
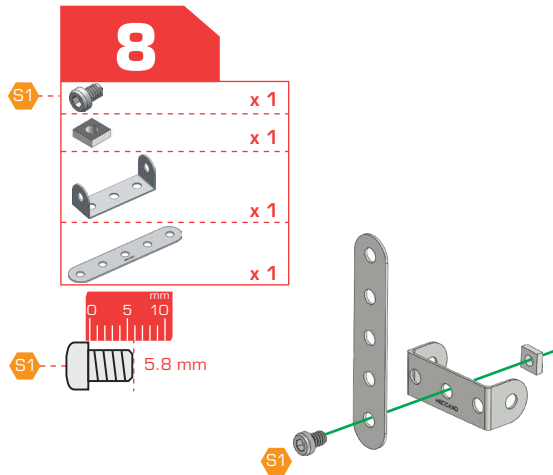
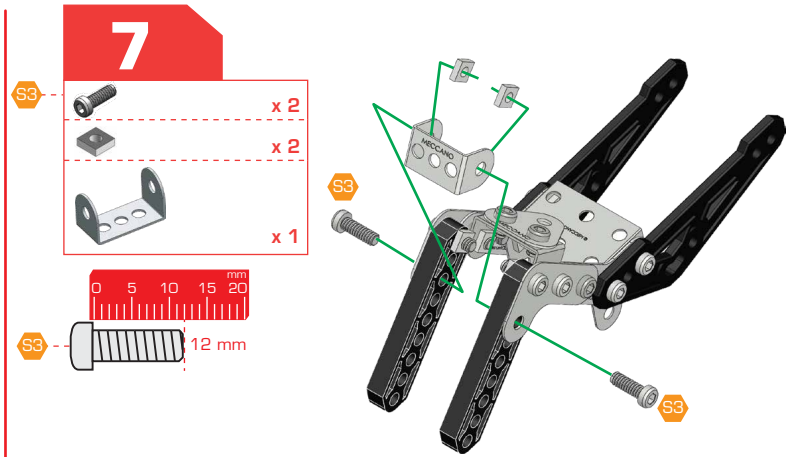
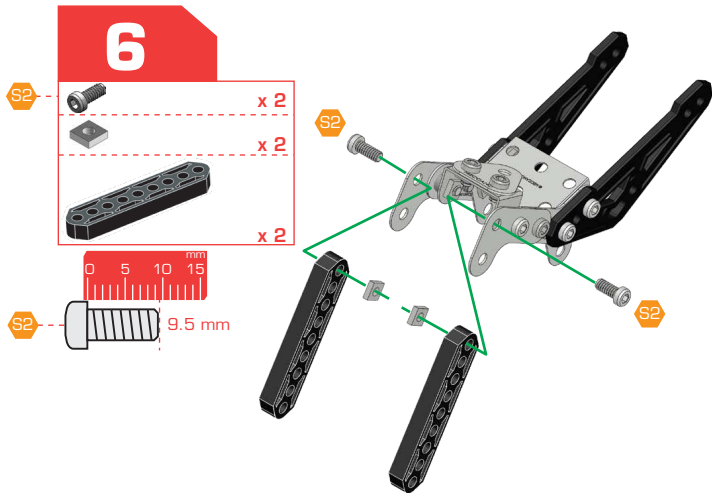
- 
x 1

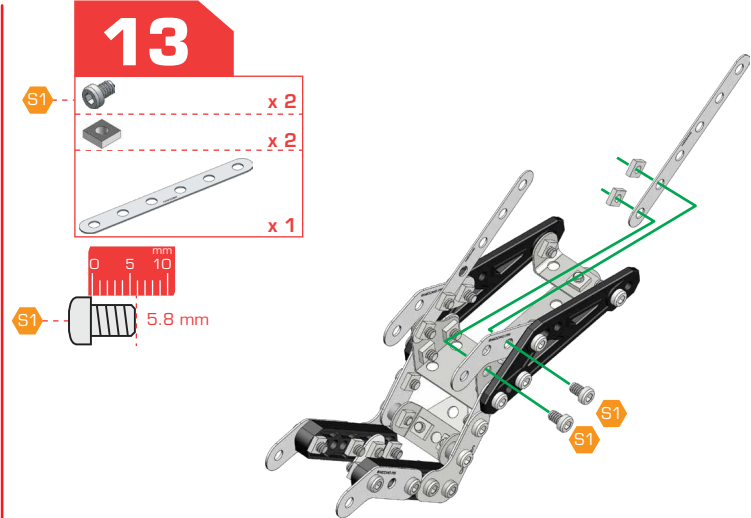
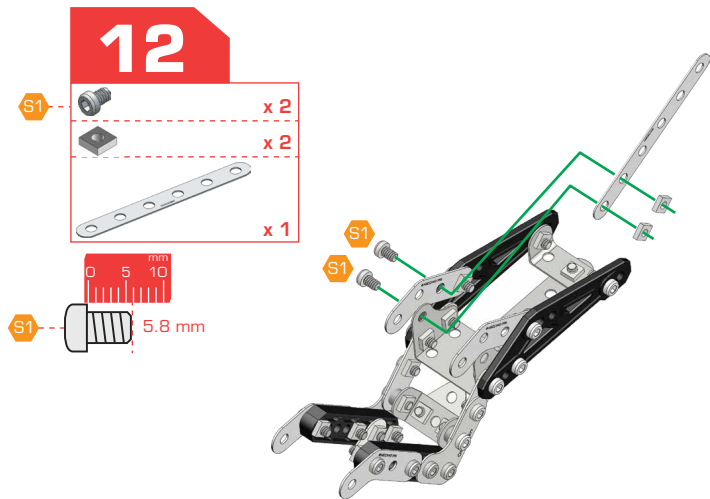
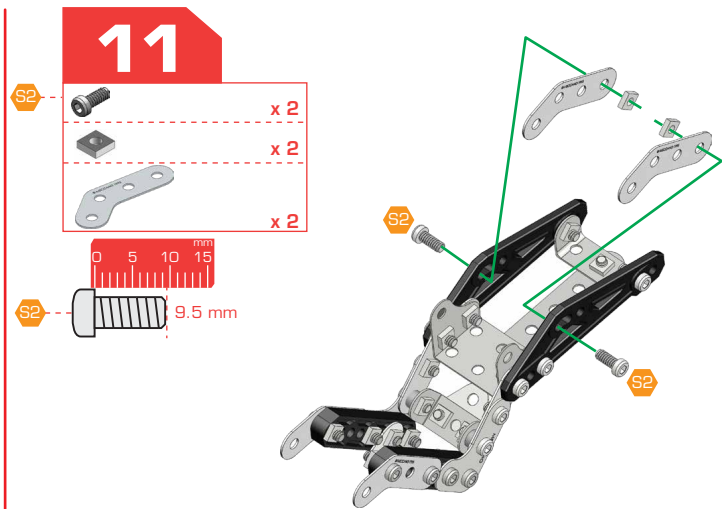
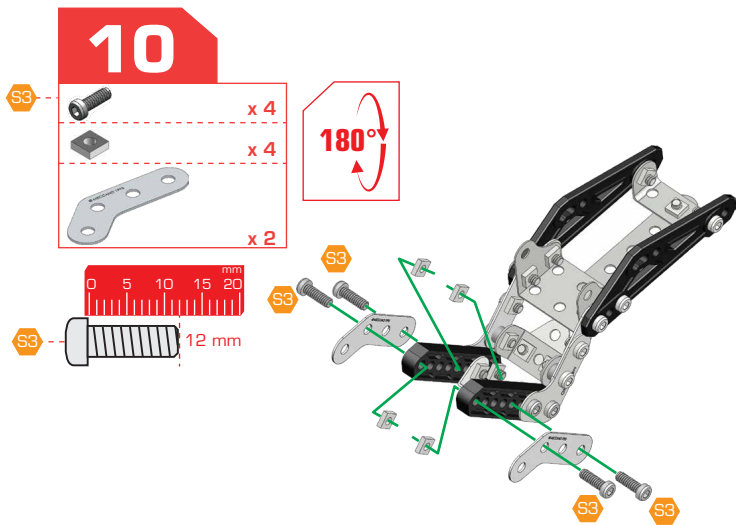
- 
x 1

- 
x 1



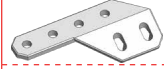









14

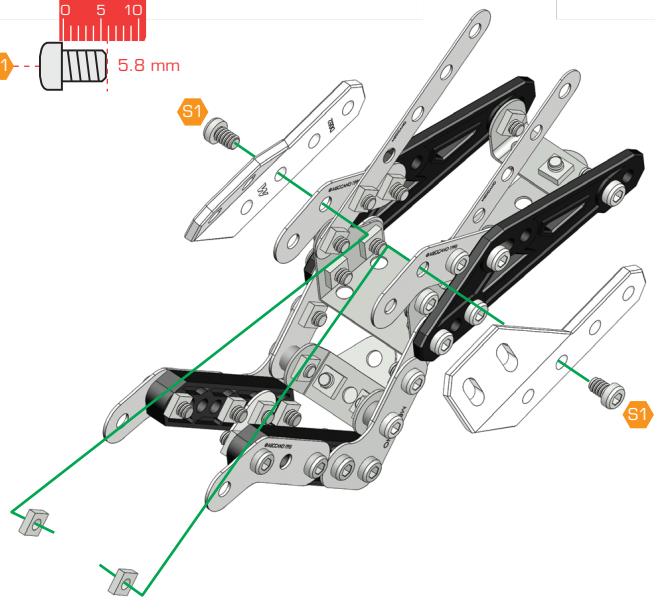
-  x 2
-  x 2
-  x 1
-  x 1







 5.8 mm

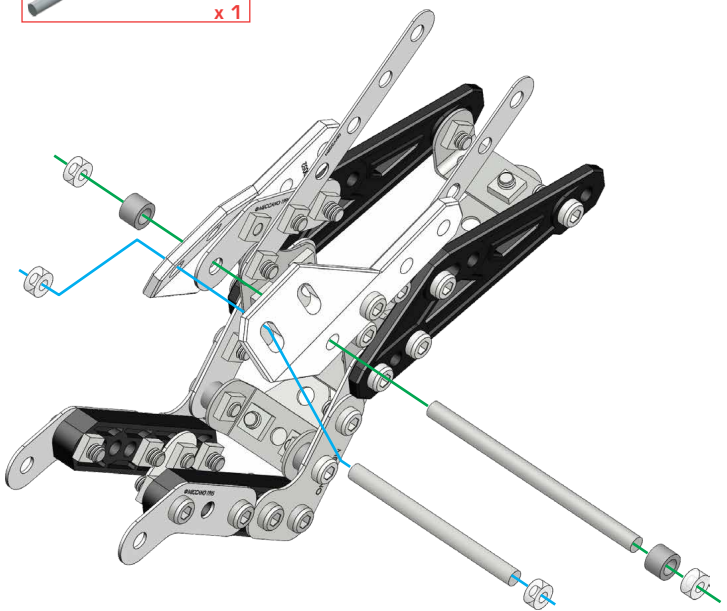






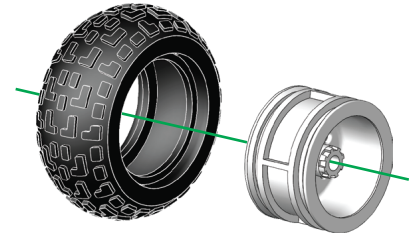
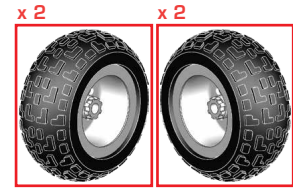
15

-  x 4
-  x 2
-  x 1
-  x 1



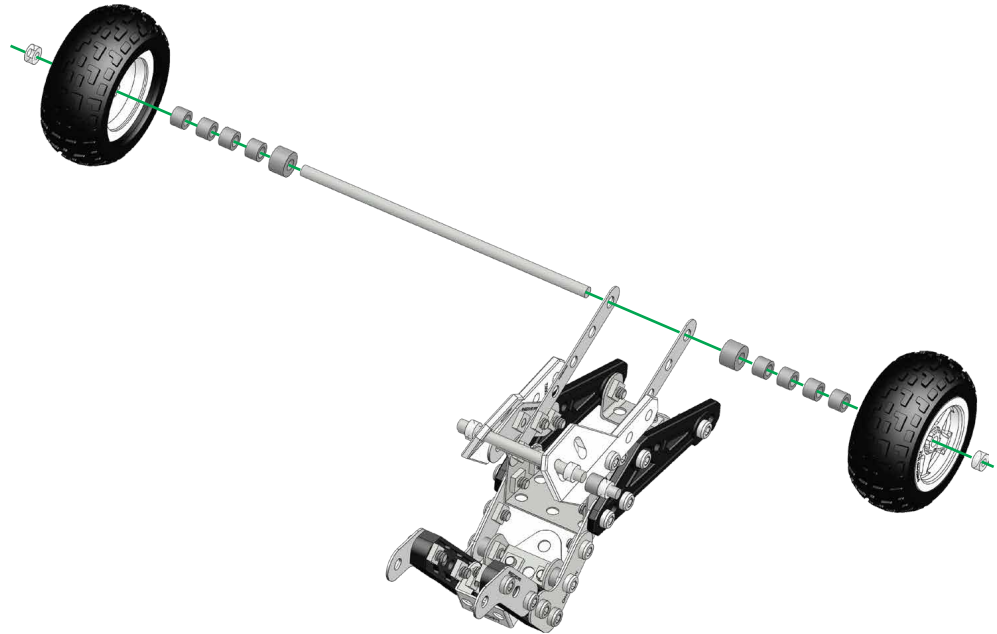
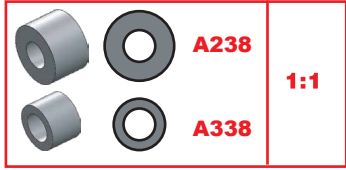
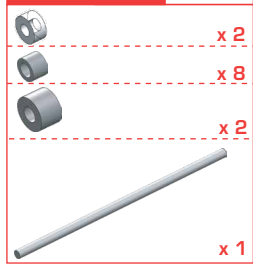
50 mm
63.5 mm

16



17

15+16

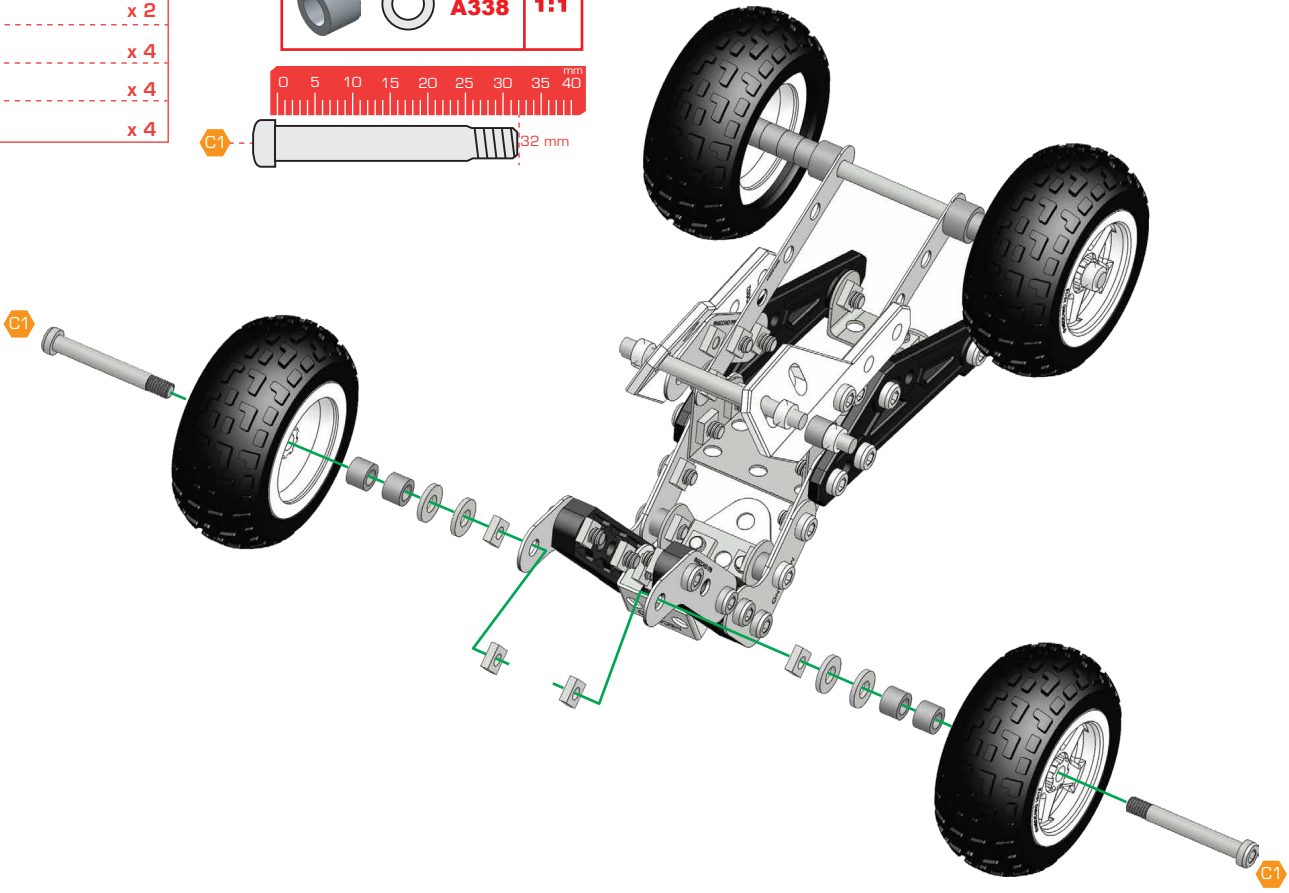
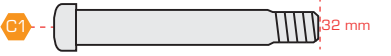


15 mm




18 16+17

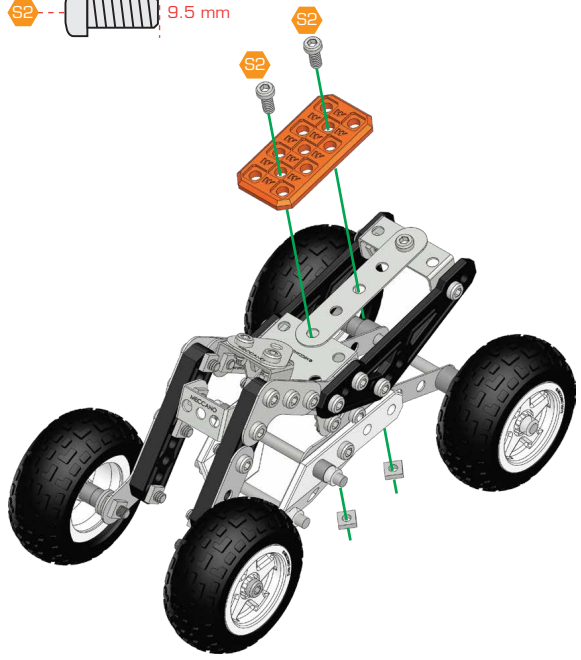
	x 2
	x 4
	x 4
	x 4

		A338	1:1
--	--	-------------	------------







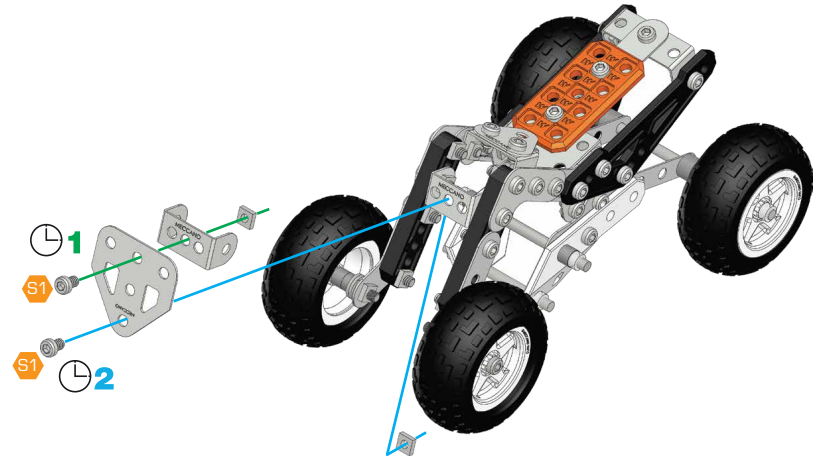
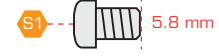
19

-  x 2
-  x 2
-  x 1

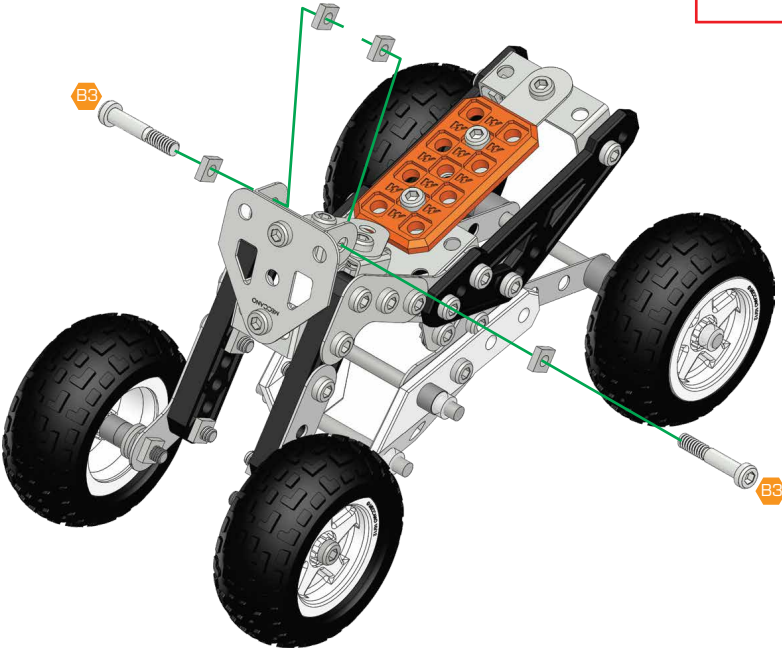
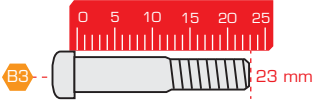
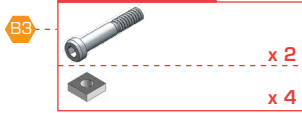


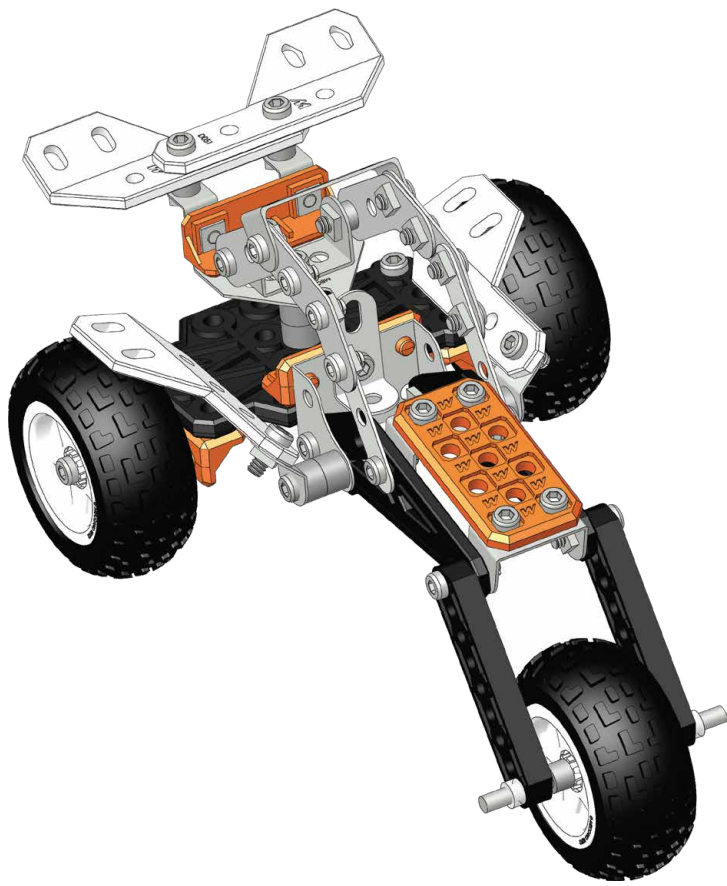
20

-  x 2
-  x 2
-  x 1
-  x 1


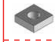




21



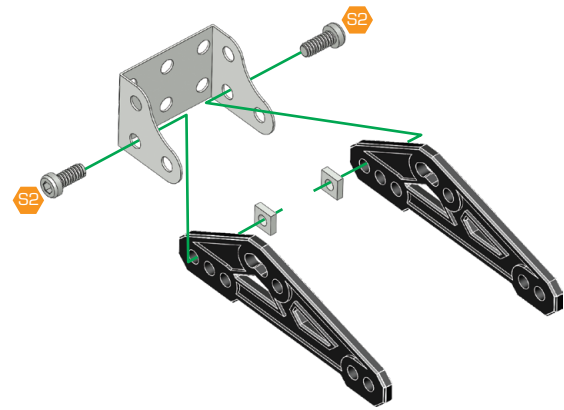


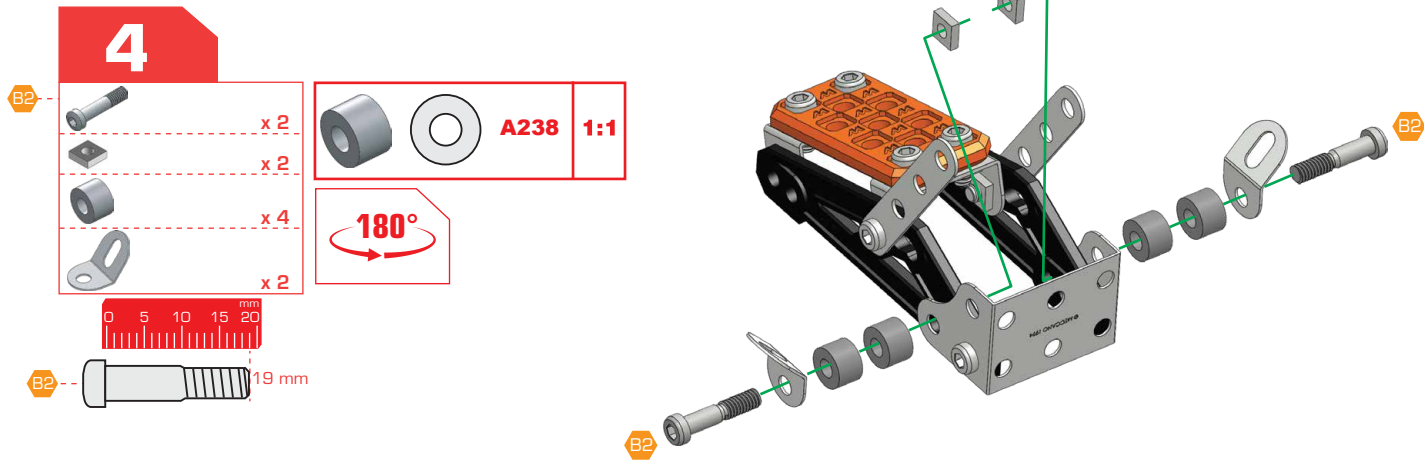
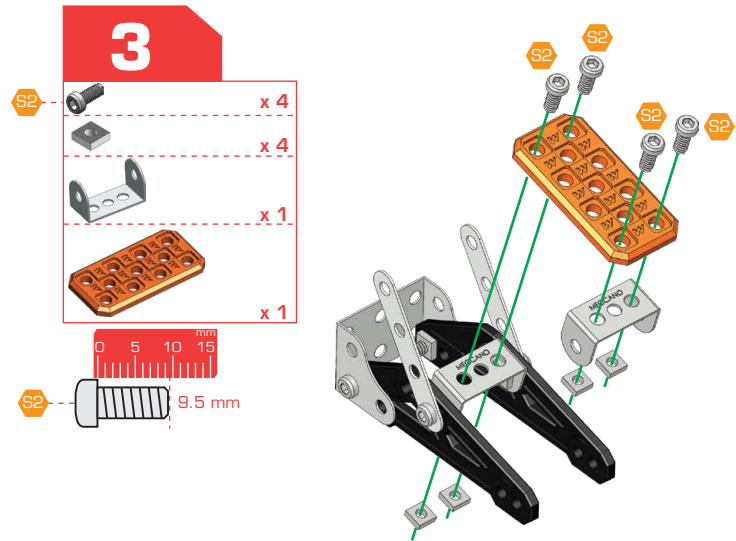
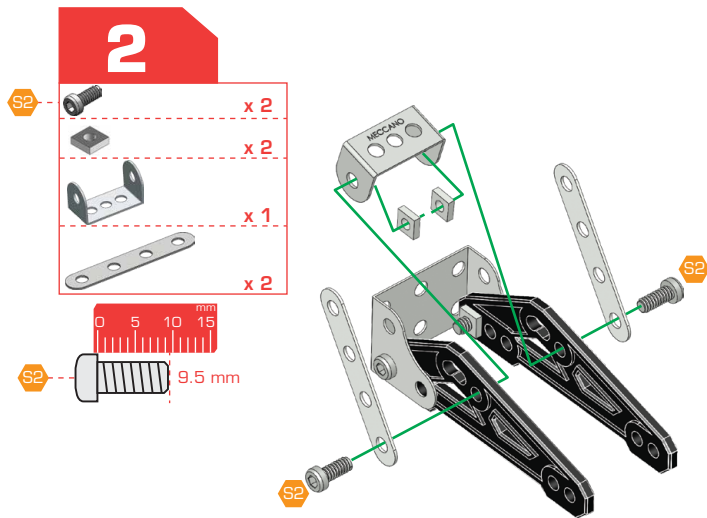
1

-  x 2
-  x 2
-  x 1
-  x 2







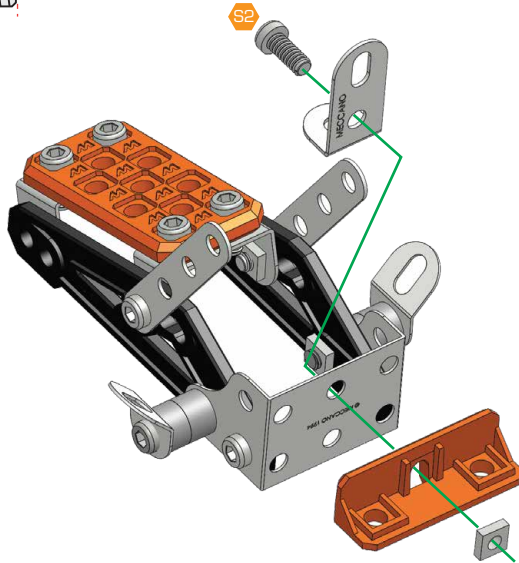
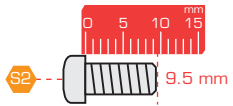
 9.5 mm




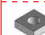
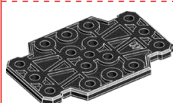


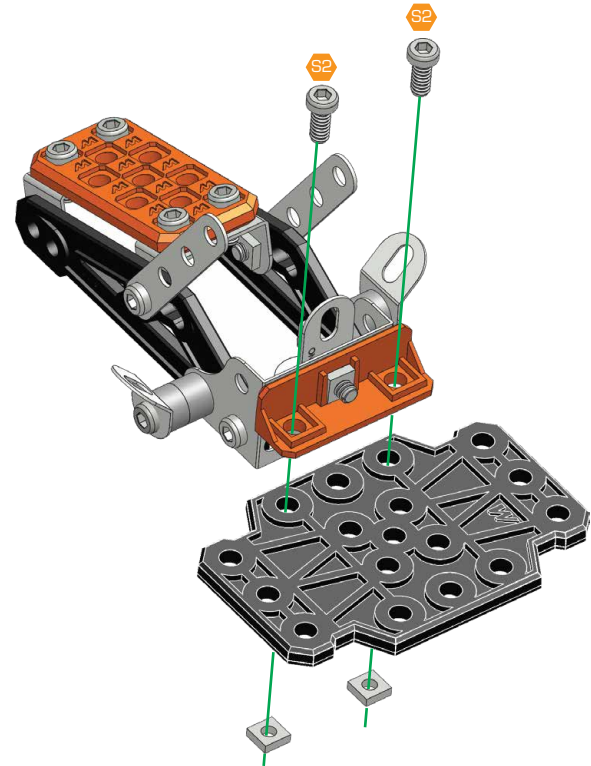
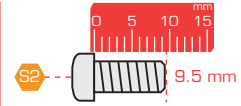
5

-  x 1
-  x 1
-  x 1
-  x 1


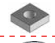






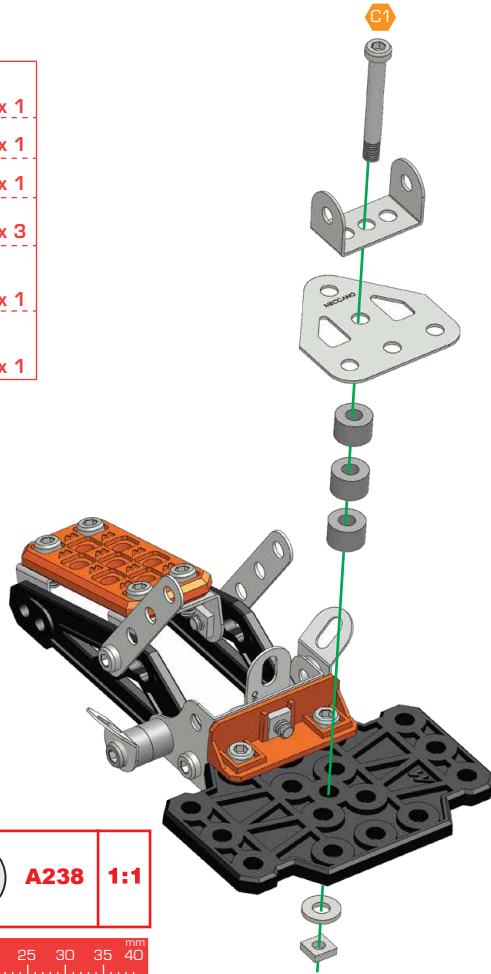
6

-  x 2
-  x 2
-  x 1




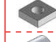


7

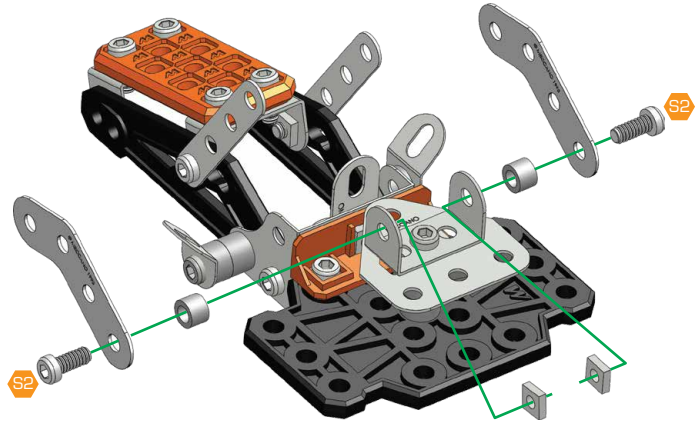
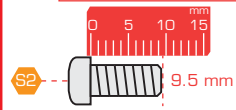
-  x 1
-  x 1
-  x 1
-  x 3
-  x 1
-  x 1



4

8

-  x 2
-  x 2
-  x 2
-  x 2



9

S1



x 6



x 6



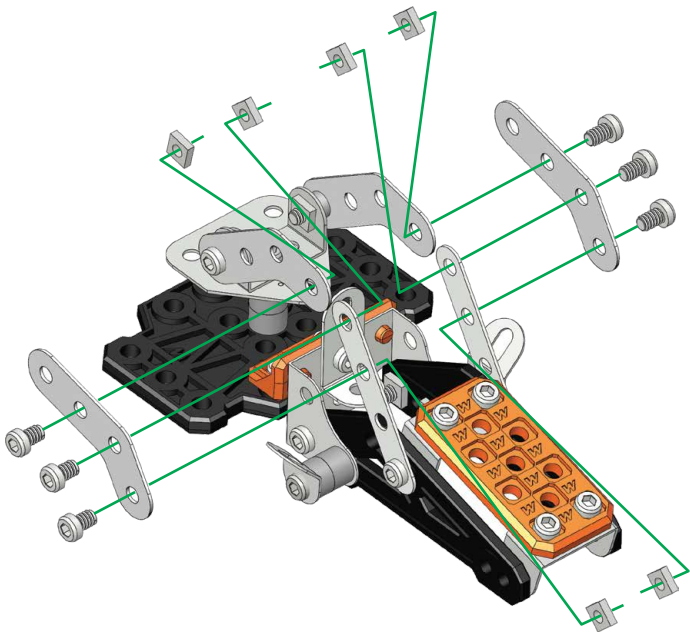
x 2



S1



5.8 mm



10

S1



x 2



x 2



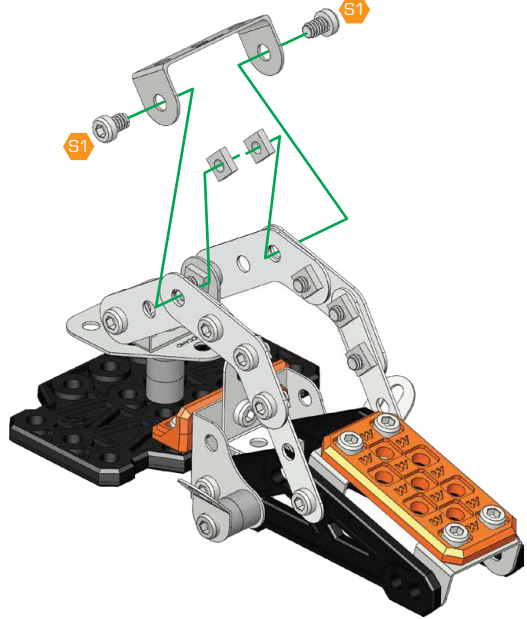
x 1





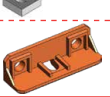
S1

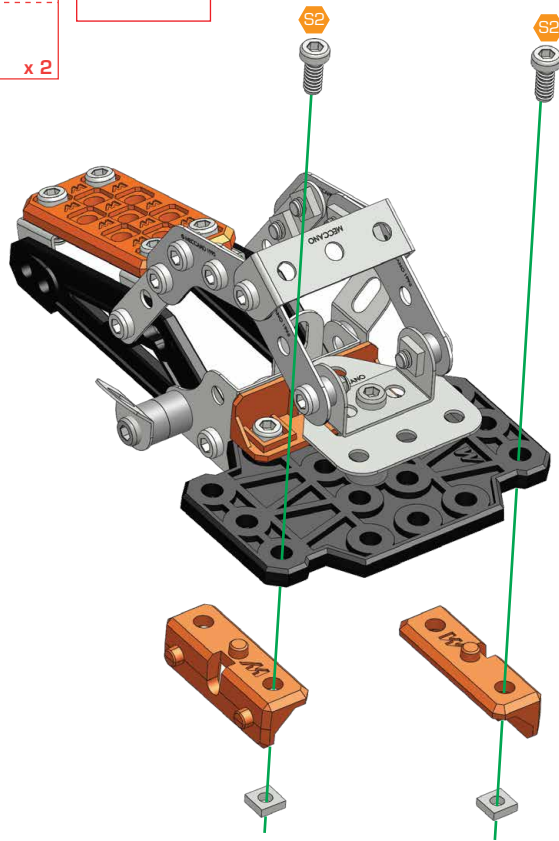


5.8 mm







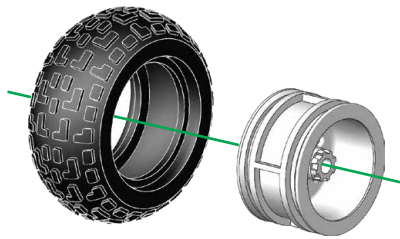
11

-  x 2
-  x 2
-  x 2






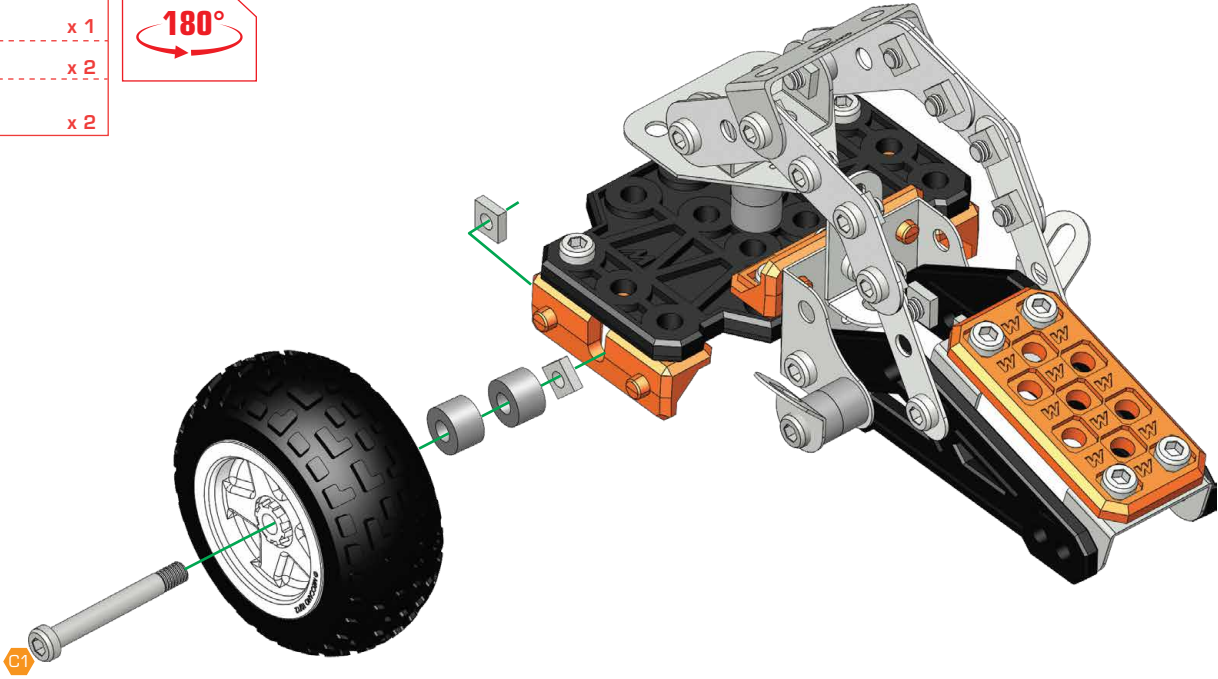
12

-  x 3
-  x 3
-  x 1
-  x 2

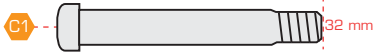


13 11+12

	x 1
	x 2
	x 2



		A238	1:1
---	---	-------------	------------



14

11+13

C1



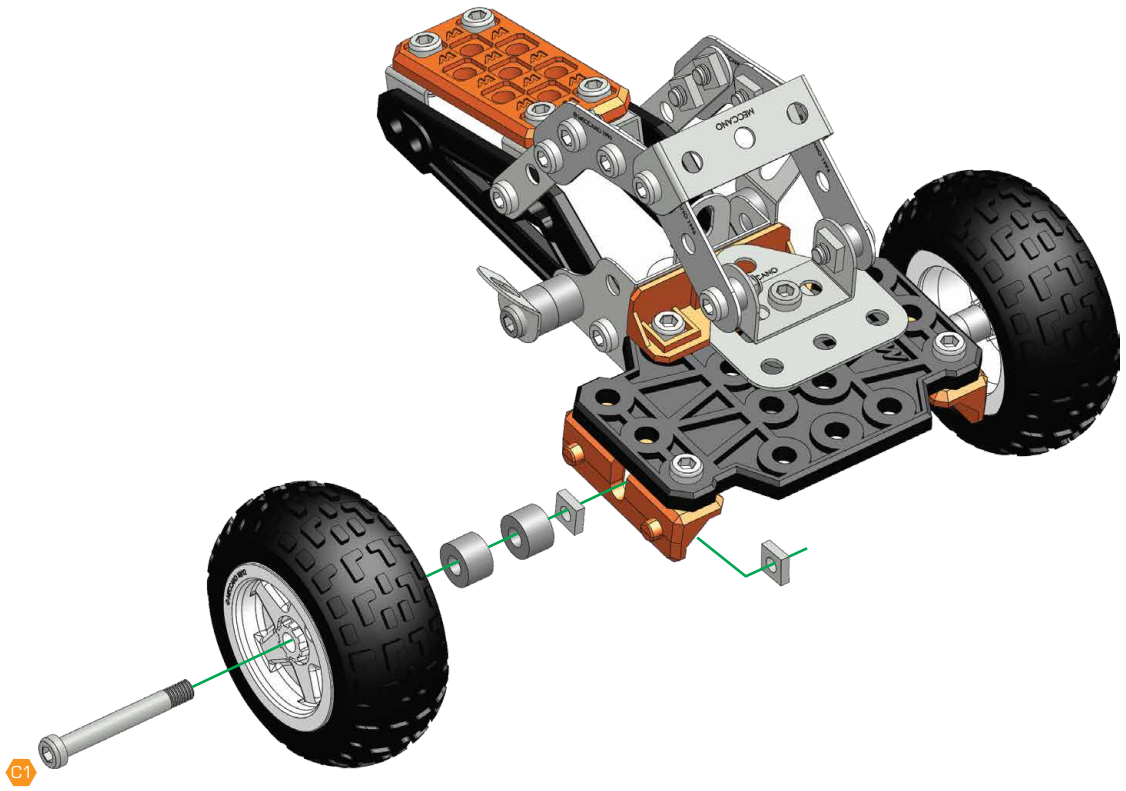
x 1



x 2



x 2

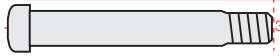


A238

1:1






C1



32 mm

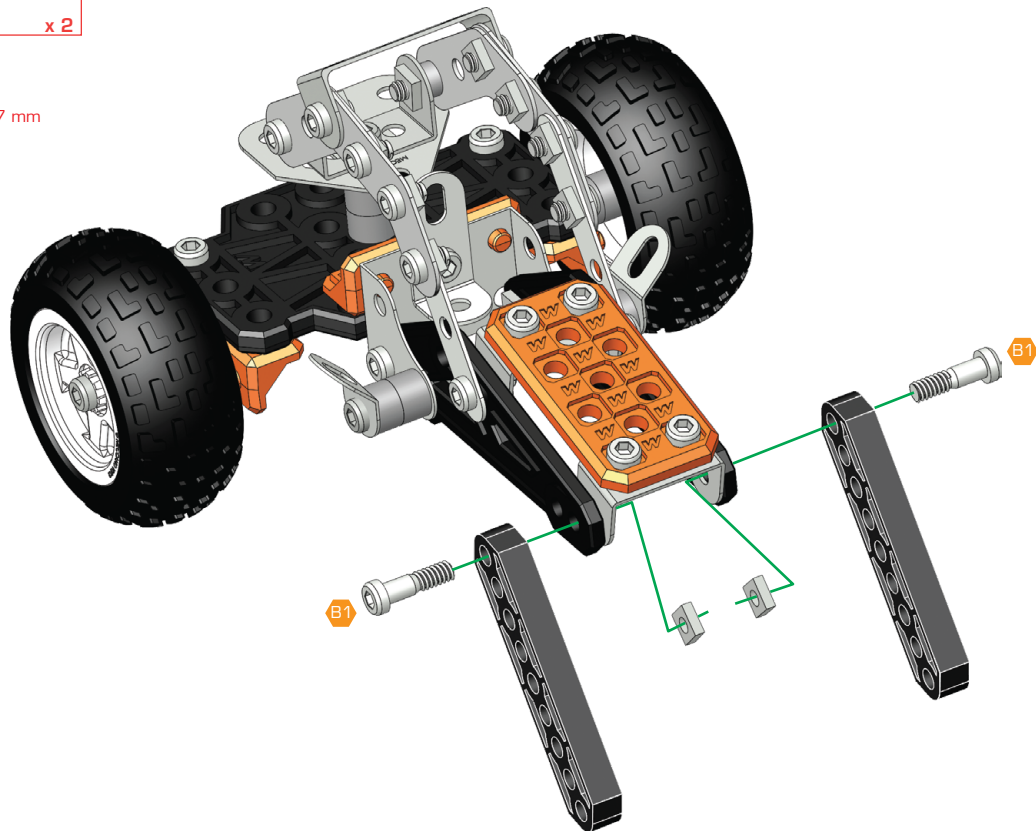
8

15




-  B1 x 2
-  x 2
-  x 2

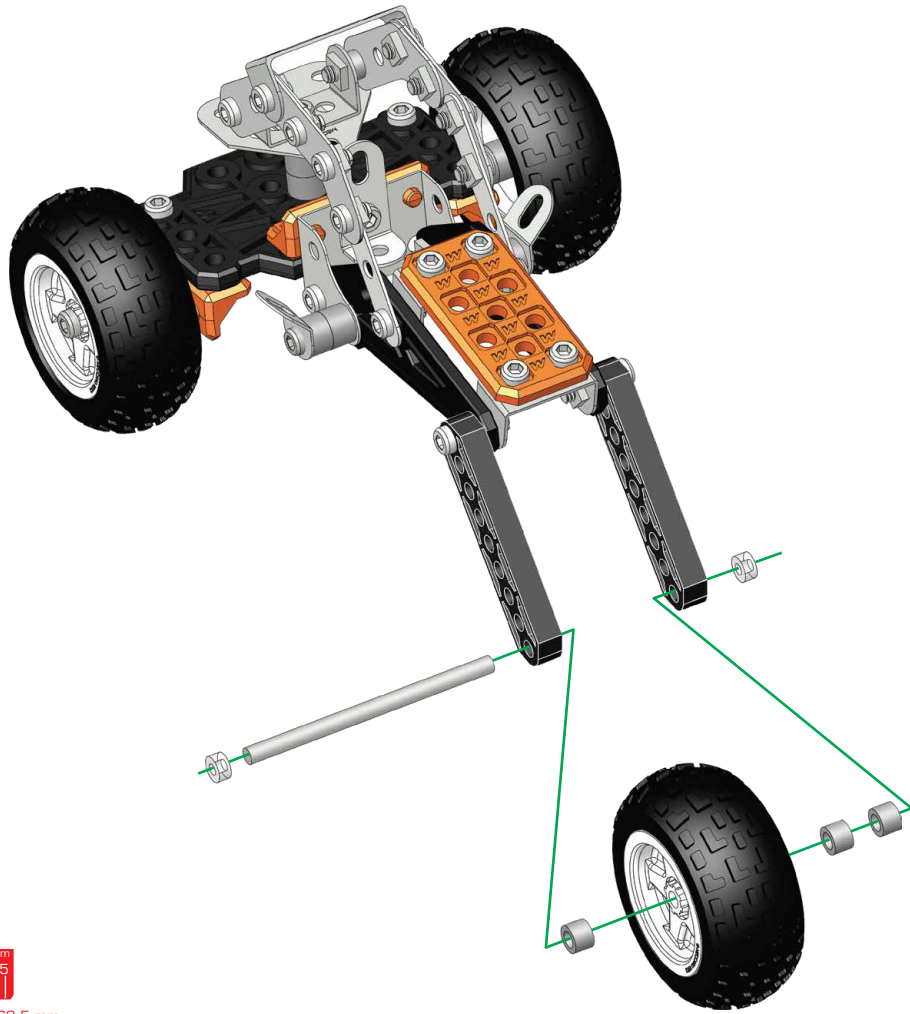


-  B1 14.7 mm

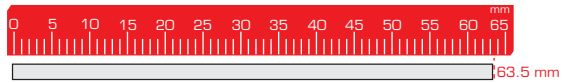


16 12+15

	x 1
	x 2
	x 3



		A338	1:1
---	---	-------------	------------

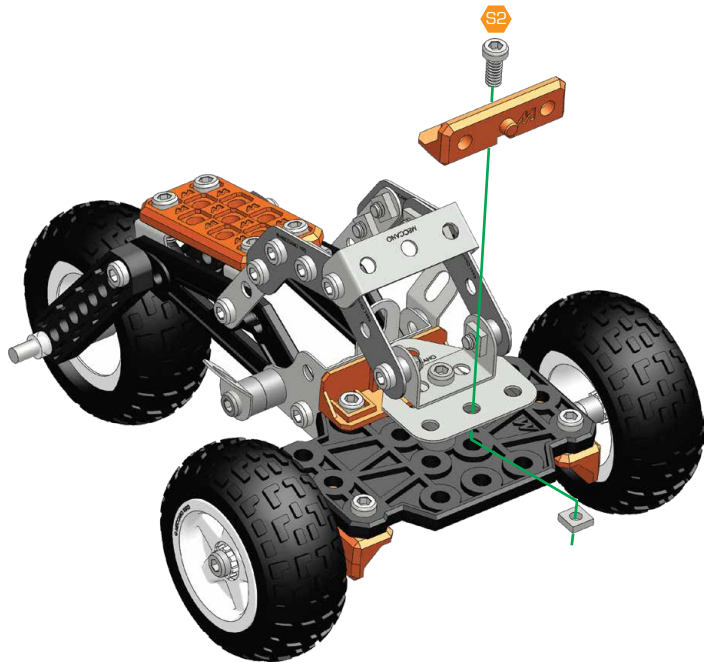


17

- S2 x 1
- x 1
- x 1



- S2 9.5 mm

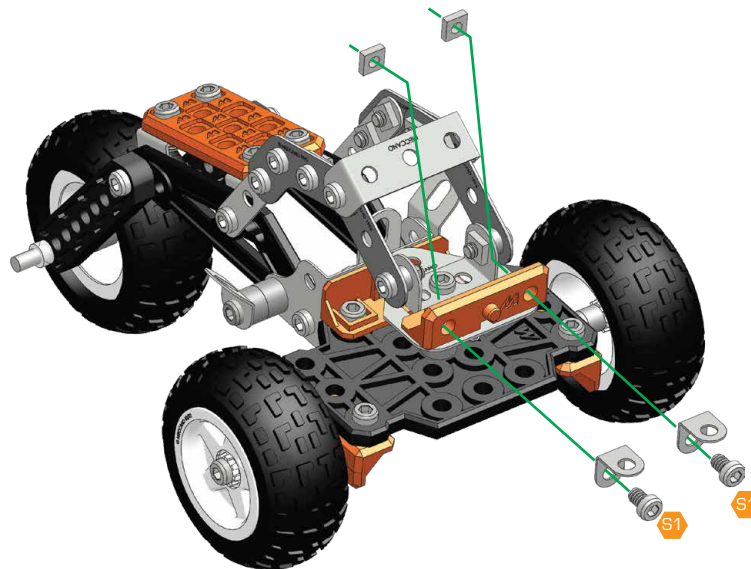


18






- S1 x 2
- x 2
- x 2

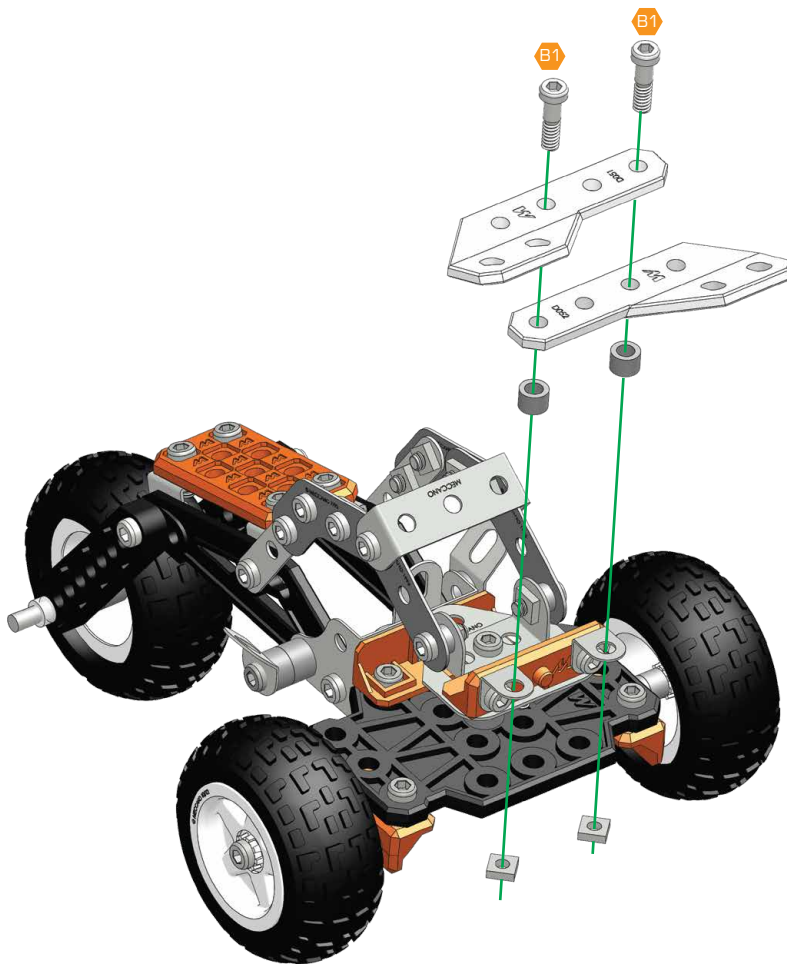
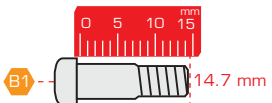


- S1 5.8 mm







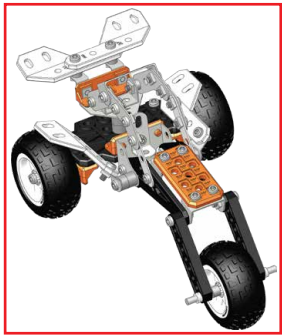
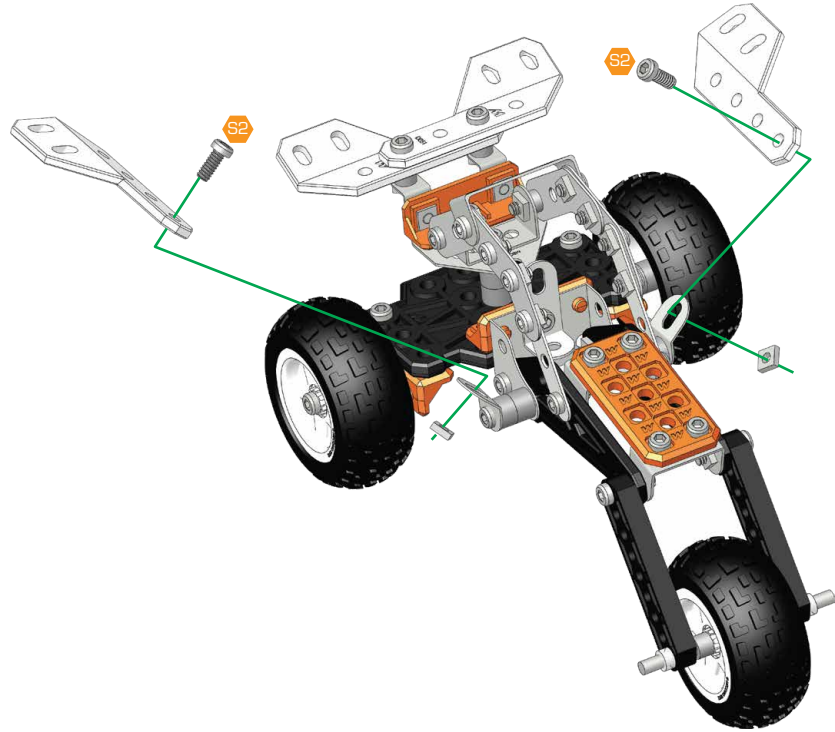
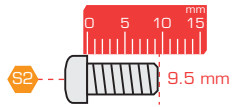
19

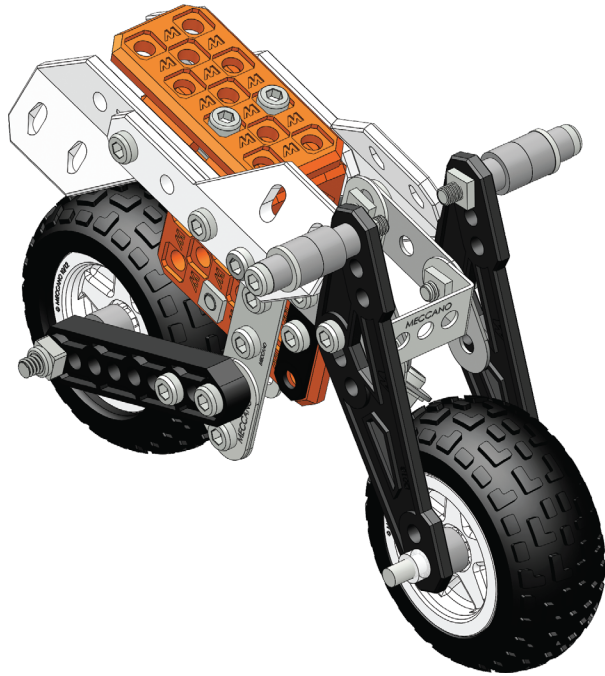
-  x 2
-  x 2
-  x 2
-  x 1
-  x 1






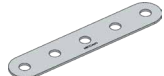

20



-  x 2
-  x 2
-  x 1
-  x 1

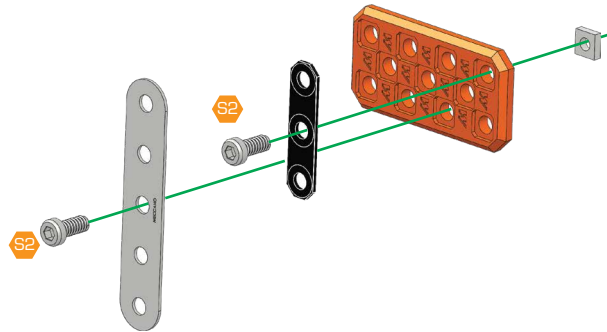




1

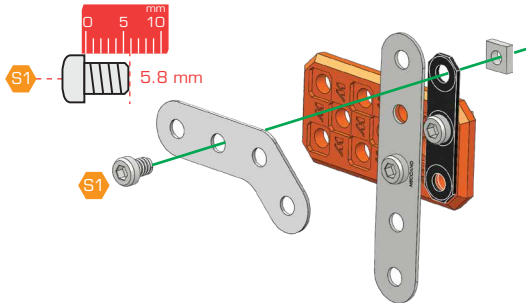
	x 2
	x 1
	x 1
	x 1
	x 1


 9.5 mm



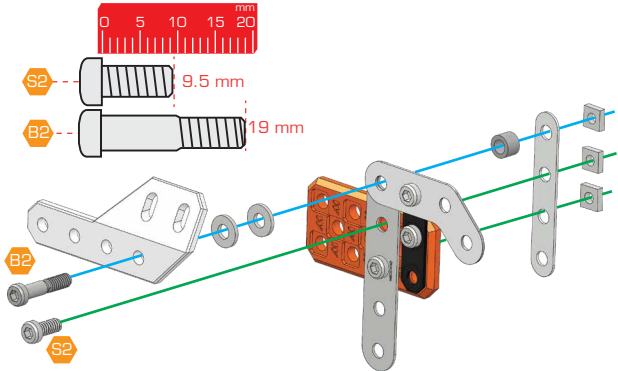
2

- S1 x 1
- x 1
- x 1



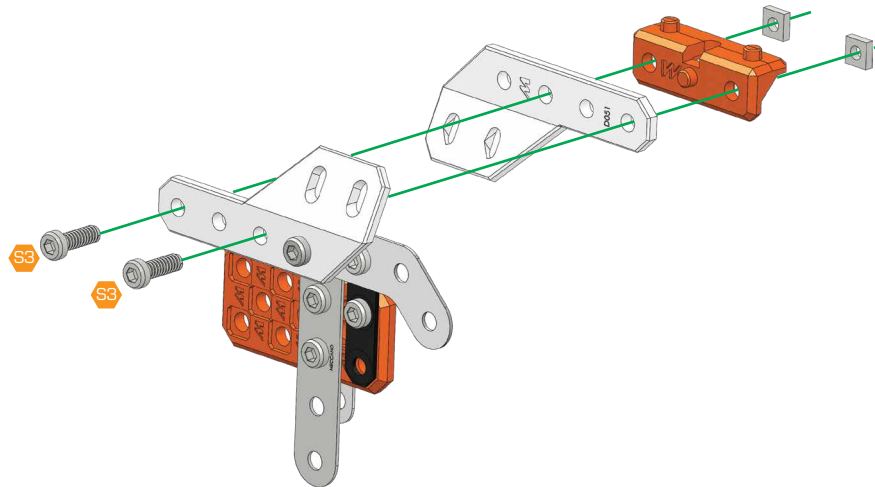
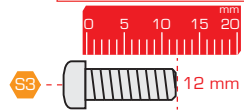
3

- S2 x 1
- B2 x 1
- x 3
- x 2
- x 1
- x 1
- x 1

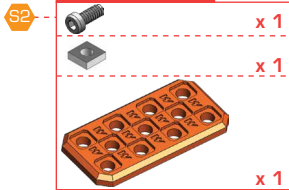


4

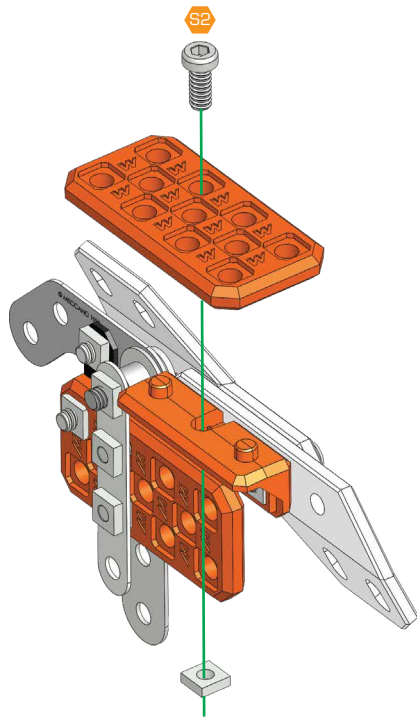
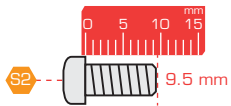
- S3 x 2
- x 2
- x 1
- x 1



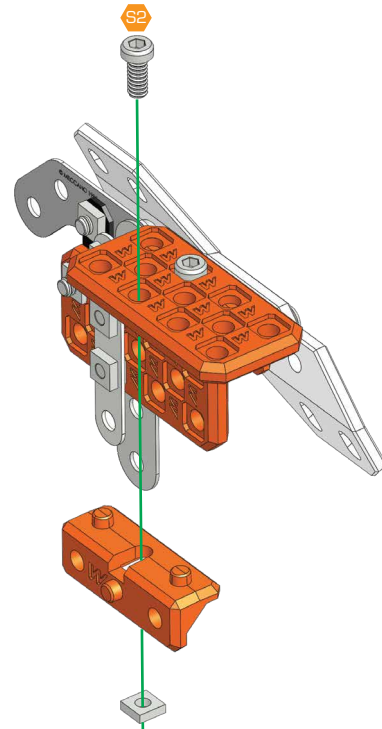
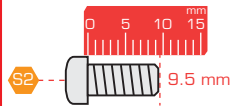
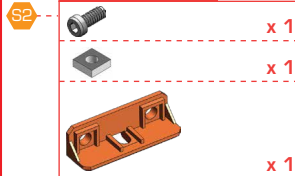
5



180°



6

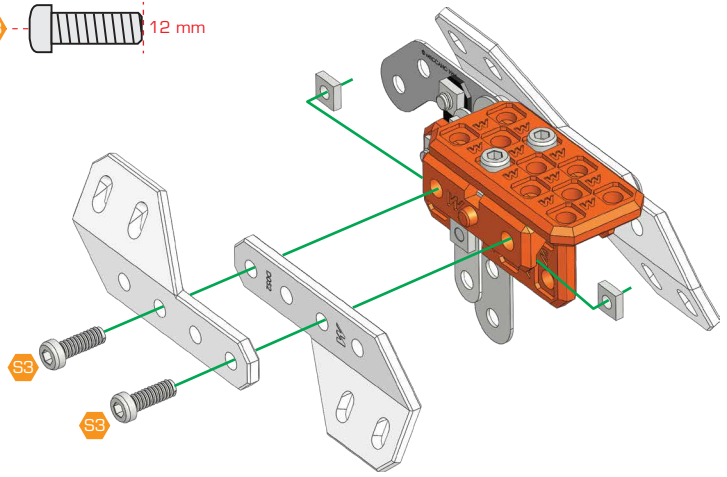


7

- S3 x 2
- x 2
- x 1
- x 1



- S3 12 mm

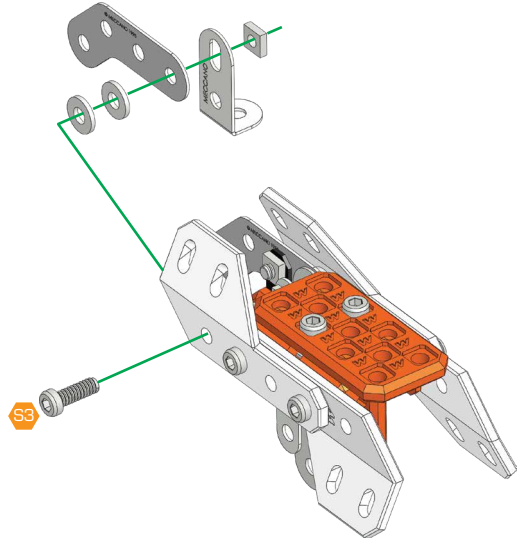


8

- S3 x 1
- x 1
- x 2
- x 1
- x 1



- S3 12 mm



9

S1



x 1



x 1



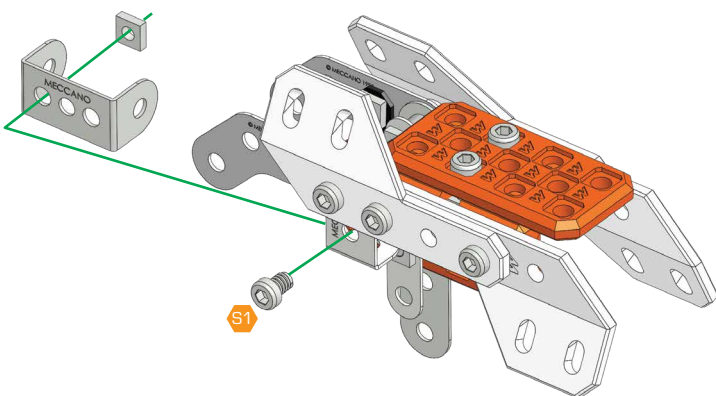
x 1



S1



5.8 mm



10

S2



x 1



x 1



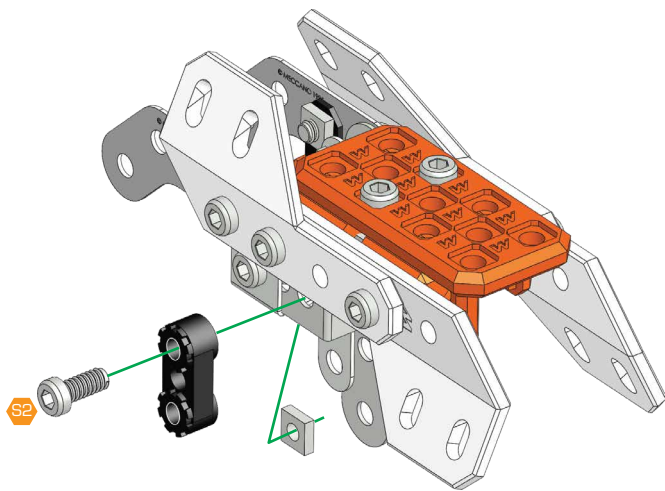
x 1



S2







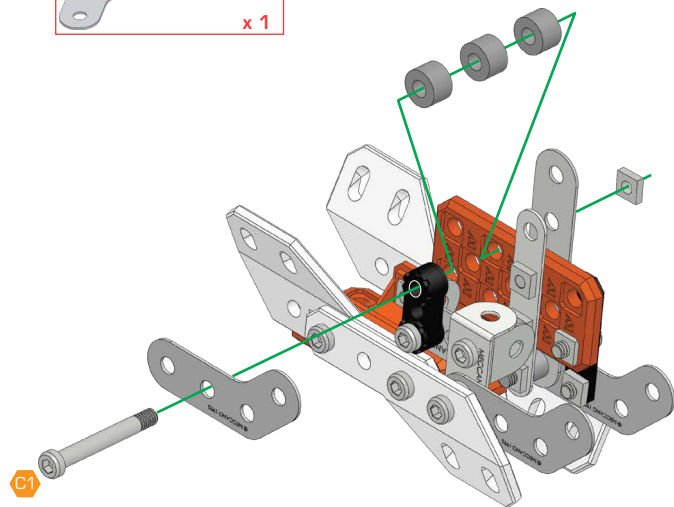
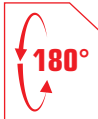
9.5 mm



11

C1

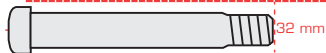
-  x 1
-  x 1
-  x 3
-  x 1



C1







C1



6

12

S2

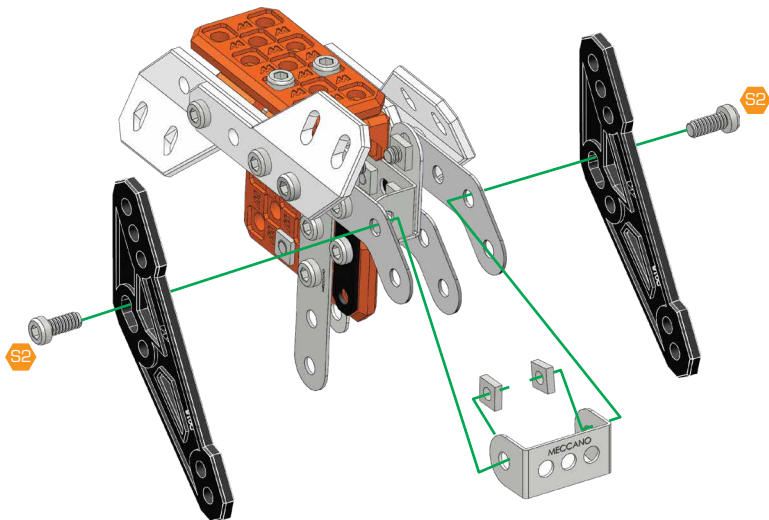
-  x 2
-  x 2
-  x 1
-  x 2



S2


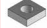





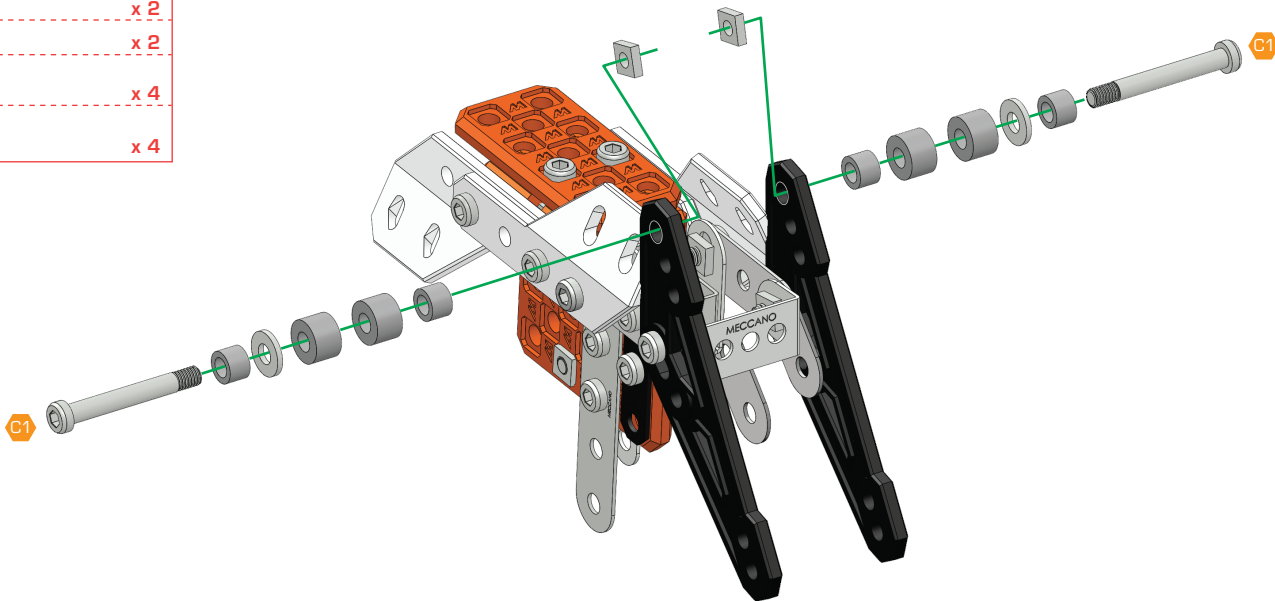
S2



S2

13

	x 2
	x 2
	x 2
	x 4
	x 4



		A338	1:1
		A238	

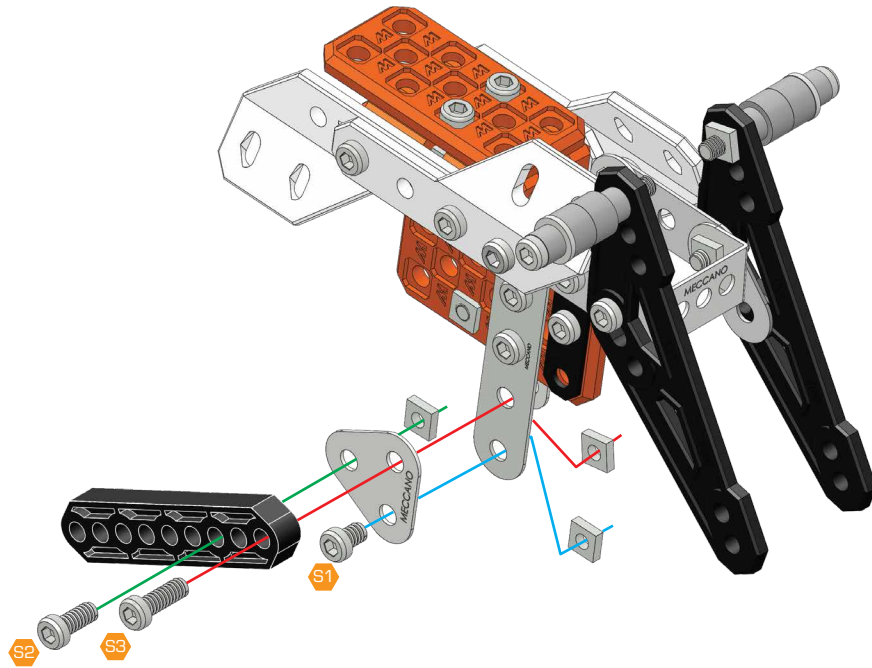


14



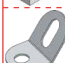
- S1 x 1
- S2 x 1
- S3 x 1
- x 3
- x 1
- x 1

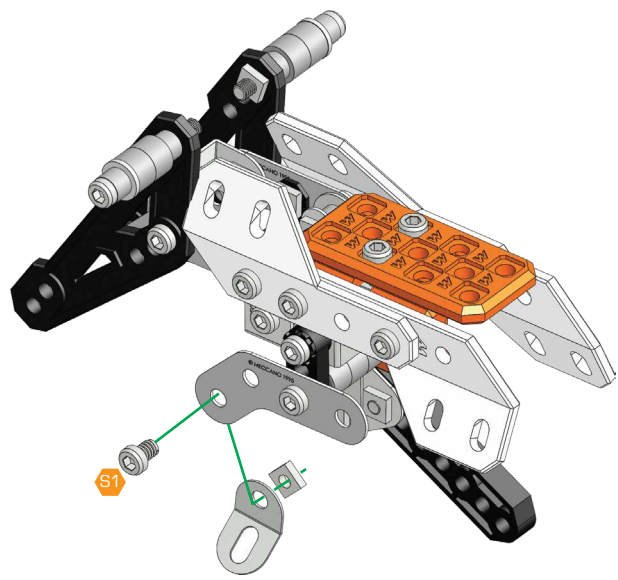
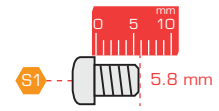


- S1 5.8 mm
- S2 9.5 mm
- S3 12 mm






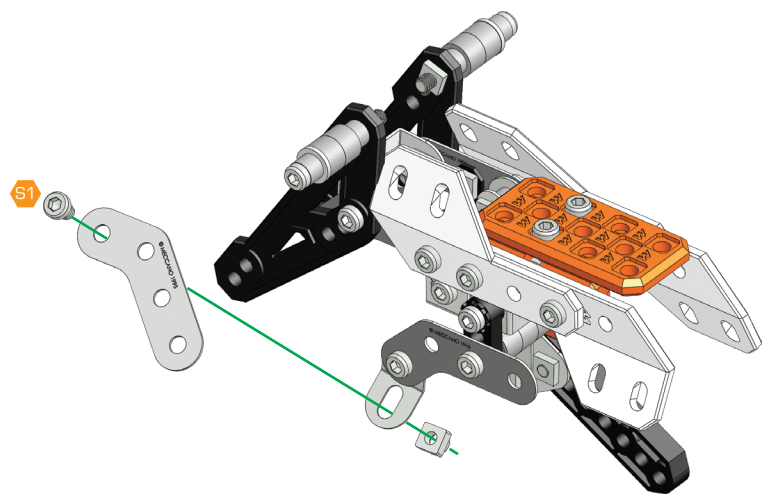
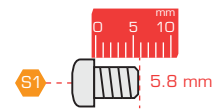
15

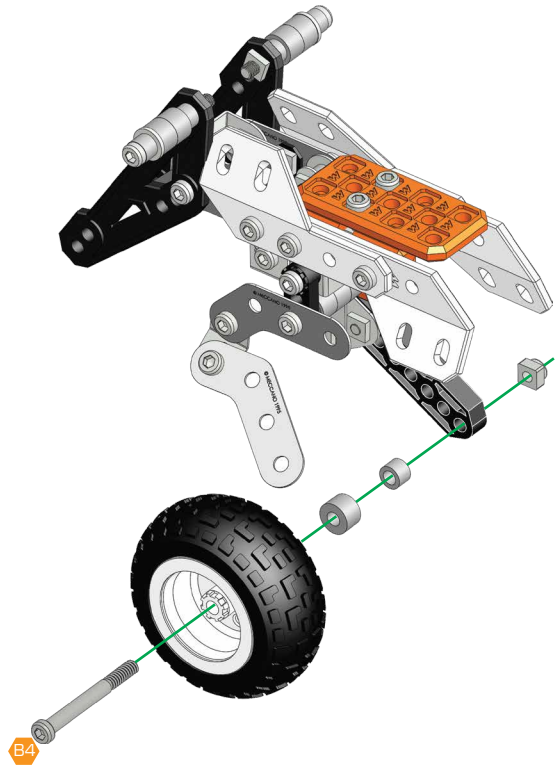
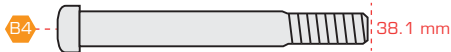
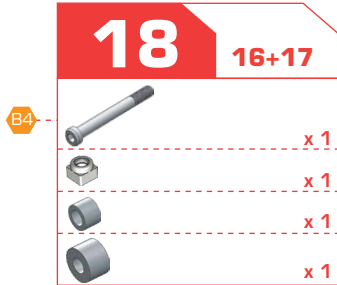
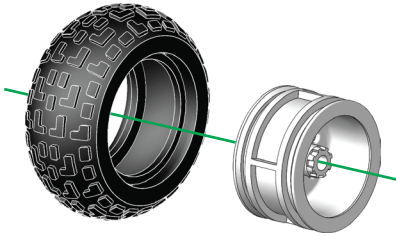
- S1  x 1
-  x 1
-  x 1



16

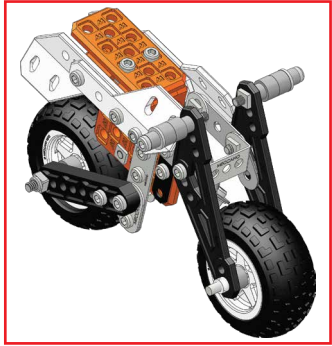
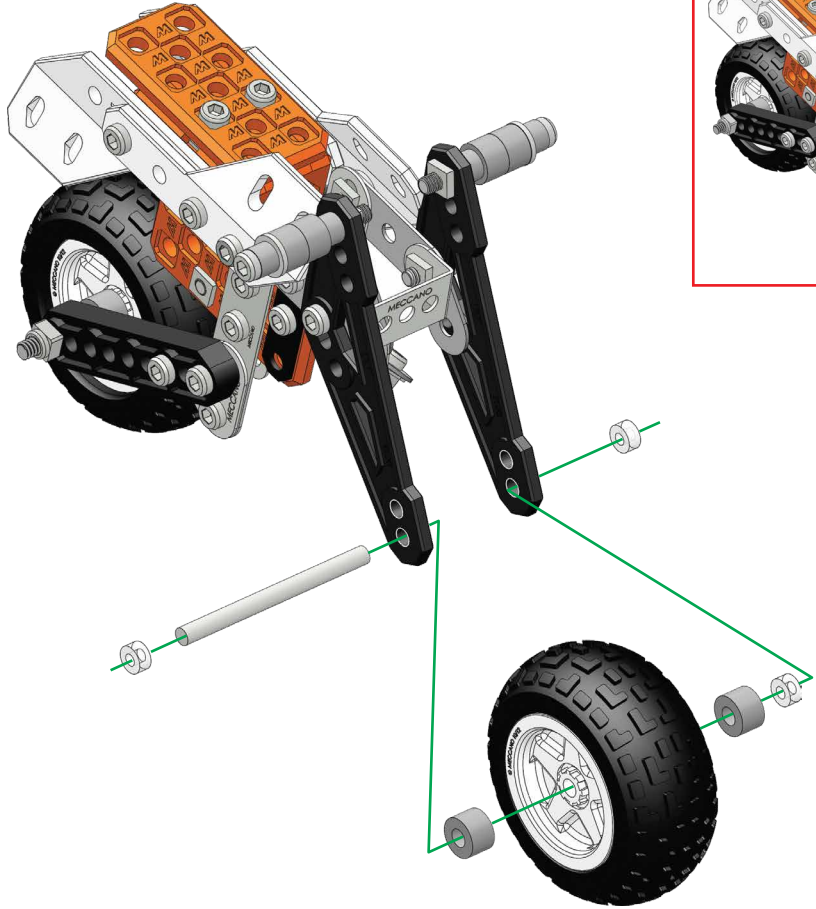
- S1  x 1
-  x 1
-  x 1



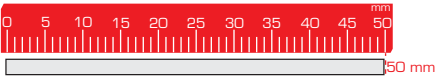


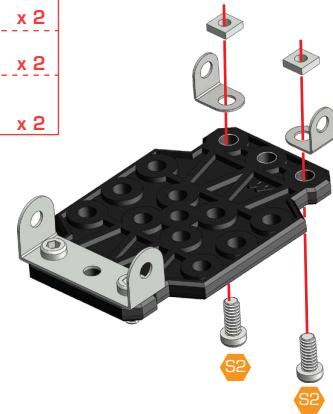
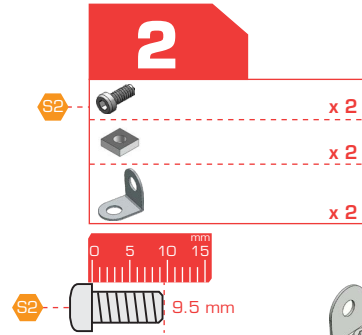
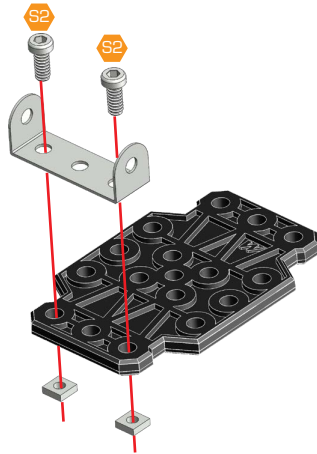
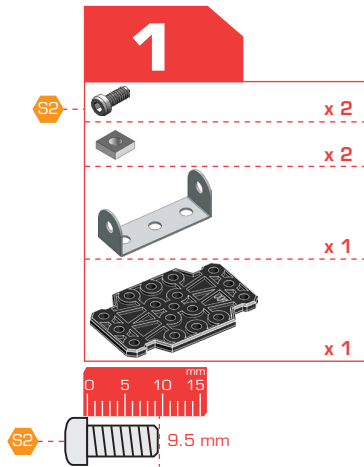
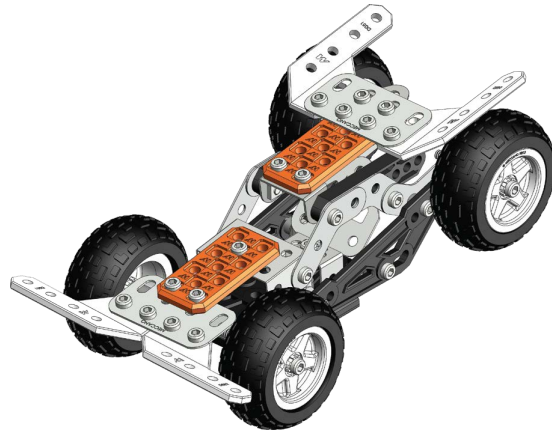
19 17+18

- x 1
- x 2
- x 2



		A238	1:1
---	---	-------------	------------





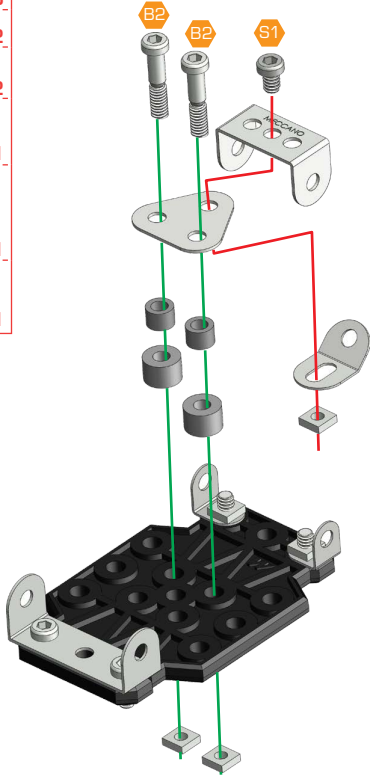
3

- S1 x 1
- B2 x 2
- x 3
- x 2
- x 2
- x 1
- x 1
- x 1



- S1 5.8 mm
- B2 19 mm

- A338
- A238
- 1:1

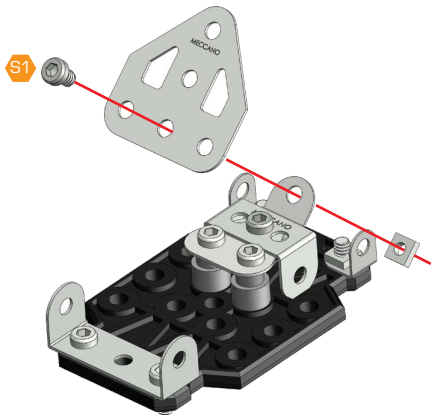


4

- S1 x 1
- x 1
- x 1
- x 1



- S1 5.8 mm

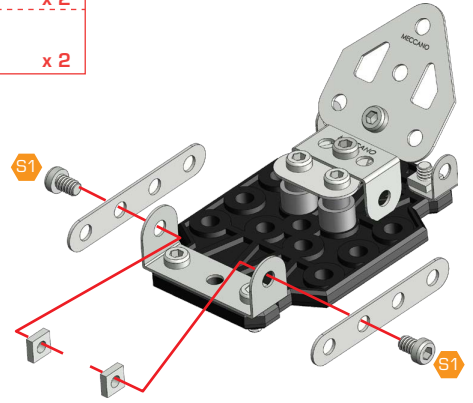


5

- S1 x 2
- x 2
- x 2

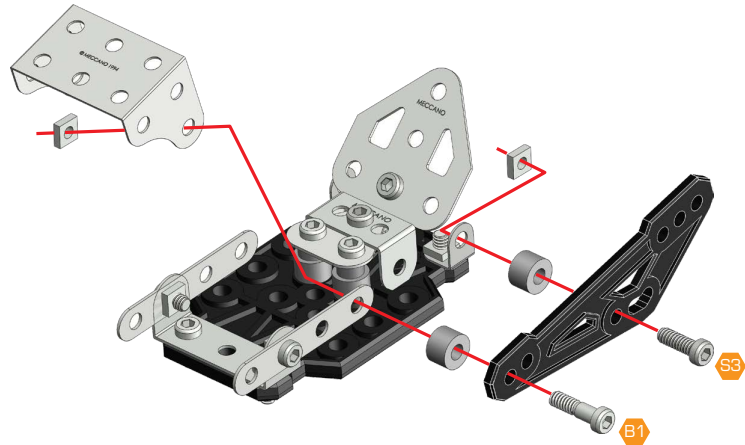
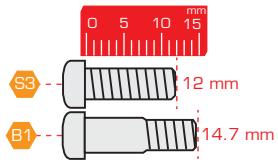


- S1 5.8 mm



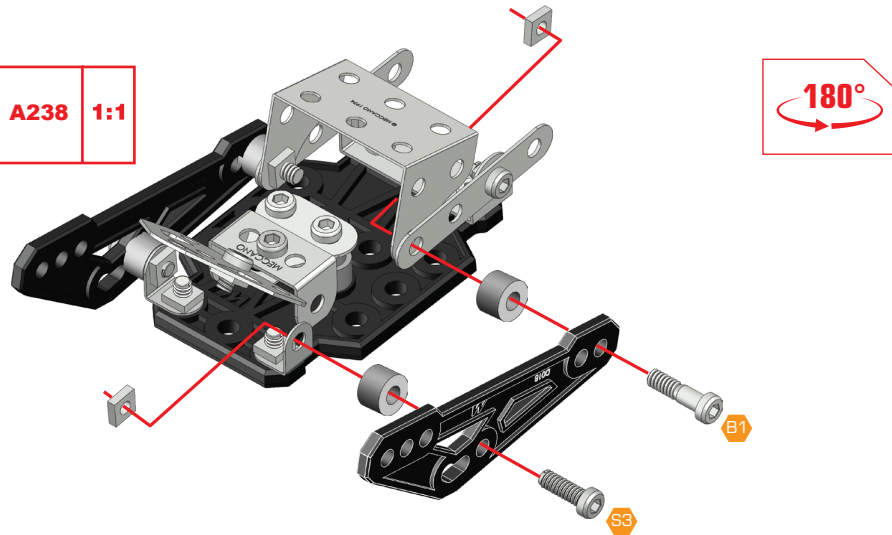
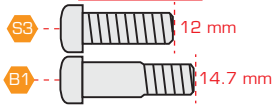
6

- S3 x 1
- B1 x 1
- x 2
- x 2
- x 1
- x 1







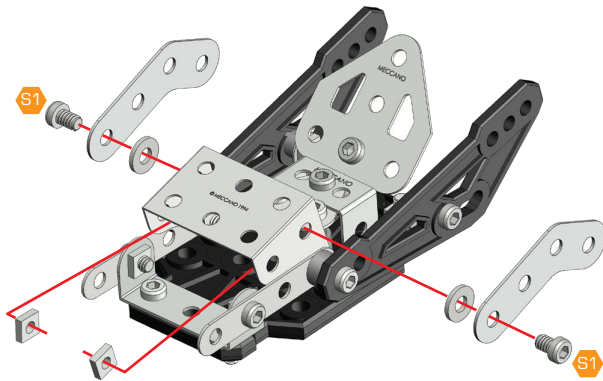
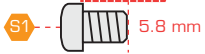
7

- S3 x 1
- B1 x 1
- x 2
- x 2
- x 1



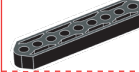




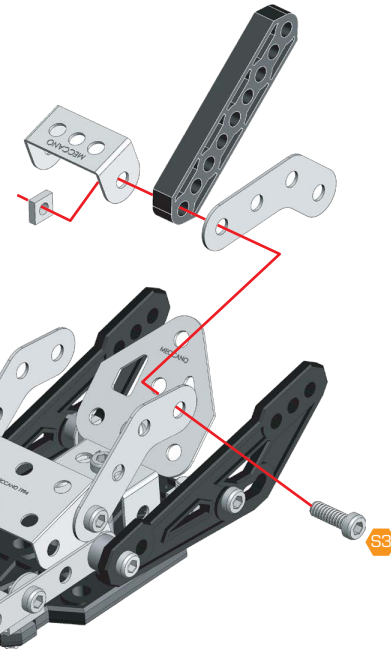
8

- S1  x 2
-  x 2
-  x 2
-  x 2



9

- S3  x 1
-  x 1
-  x 1
-  x 1
-  x 1

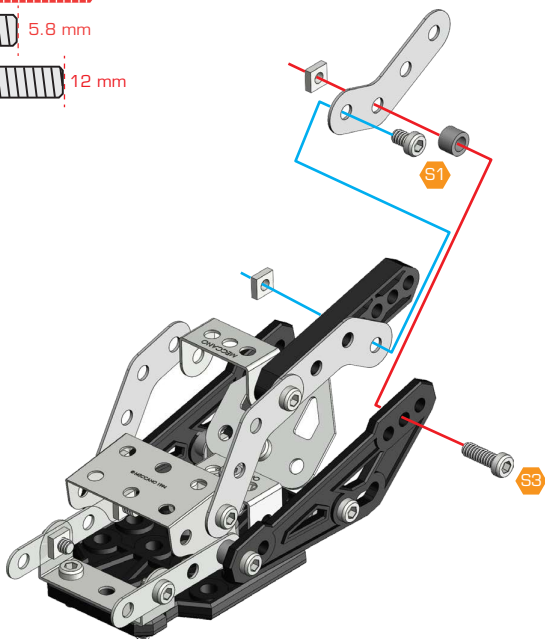


10

- S1 x 1
- S3 x 1
- x 2
- x 1
- x 1



- S1 5.8 mm
- S3 12 mm

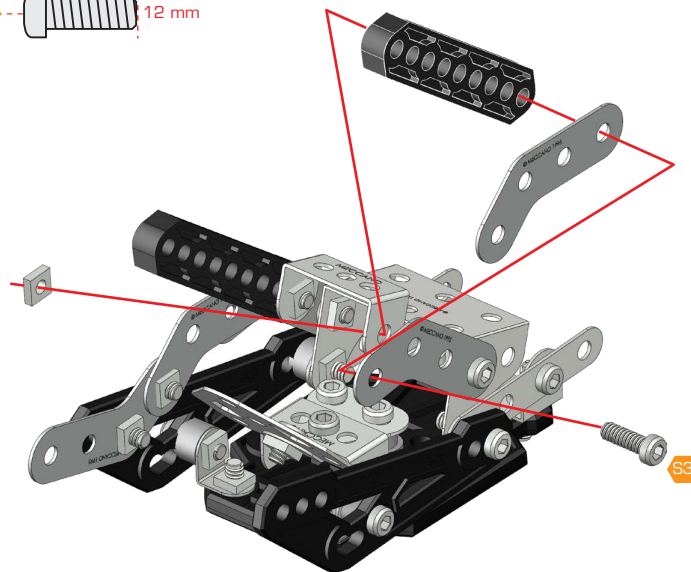


11

- S3 x 1
- x 1
- x 1
- x 1

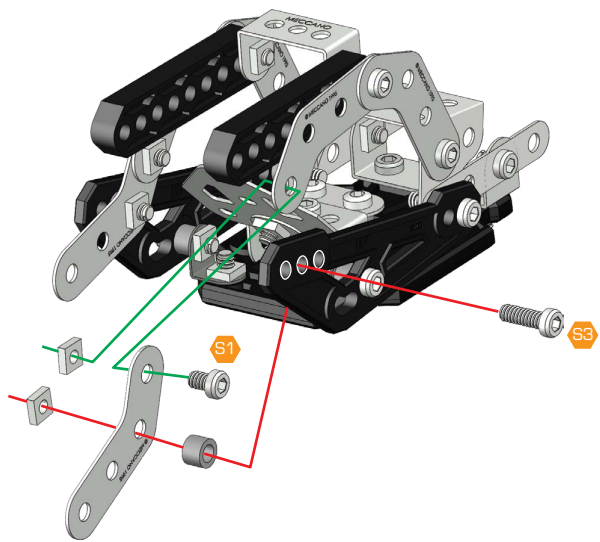


- S3 12 mm



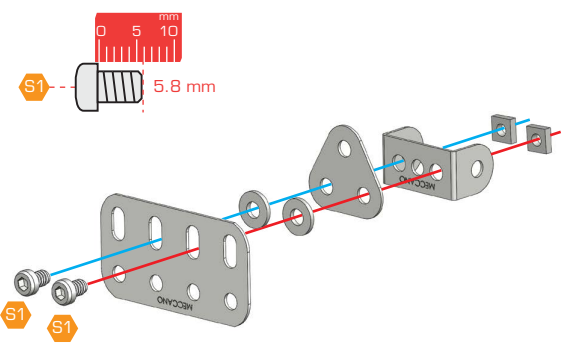
12

- S1 x 1
 - S3 x 1
 - x 2
 - x 1
 - x 1
-
- S1 5.8 mm
 - S3 12 mm



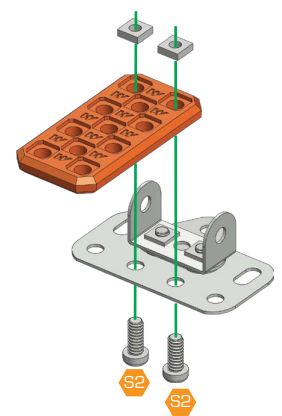
13

- S1 x 2
- x 2
- x 2
- x 1
- x 1
- x 1



14

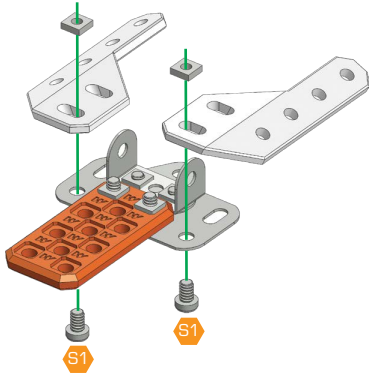
- S2 x 2
 - x 2
 - x 1
-
- S2 9.5 mm



15

- S1 x 2
- x 2
- x 1
- x 1

S1 5.8 mm



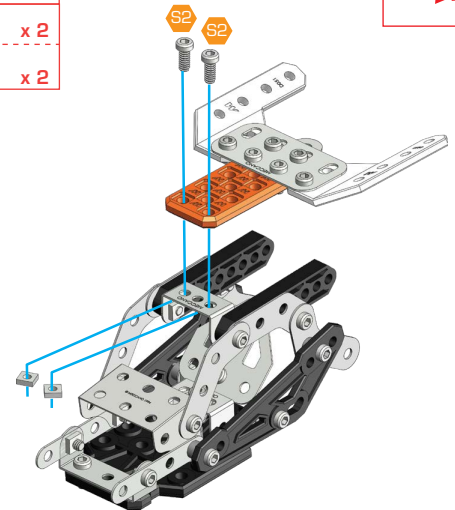
16

12+15

- S2 x 2
- x 2

S2 9.5 mm

180°

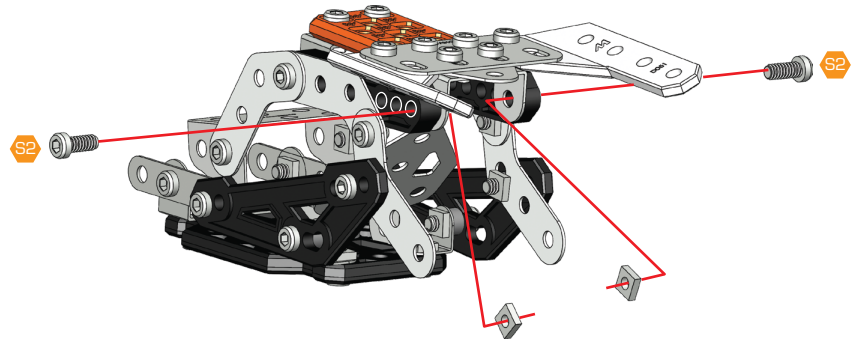


17





- S2 x 2
- x 2

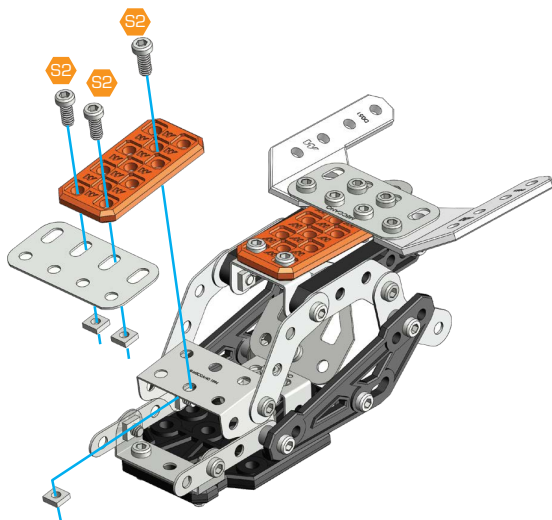
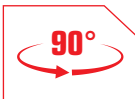
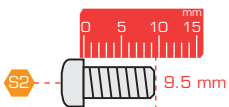
S2 9.5 mm

90°







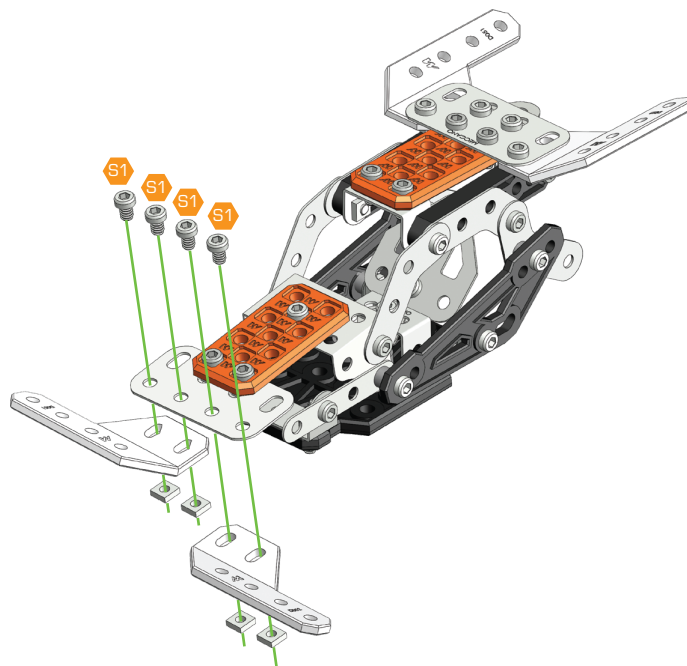
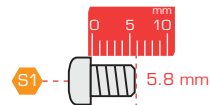
18

	x 3
	x 3
	x 1
	x 1

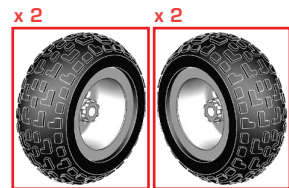


19

	x 4
	x 4
	x 1
	x 1

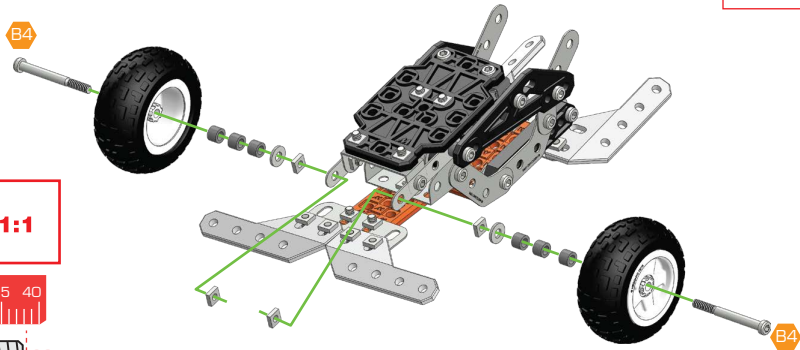
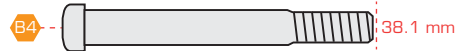
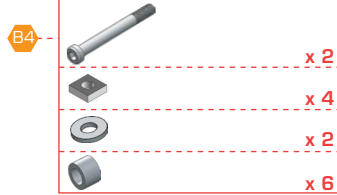


20



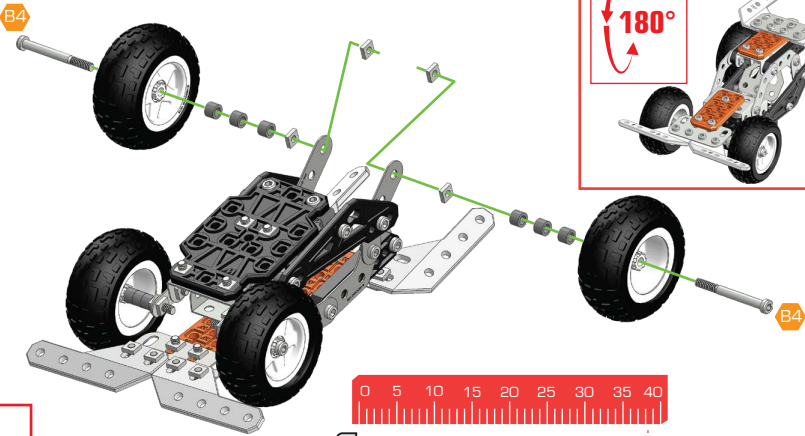
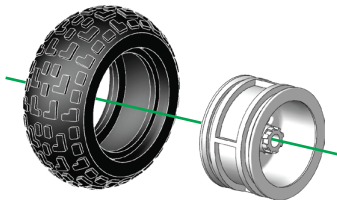
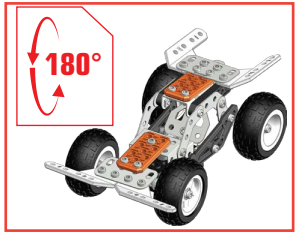
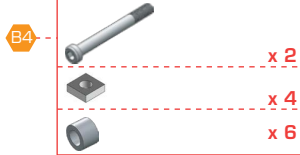
21

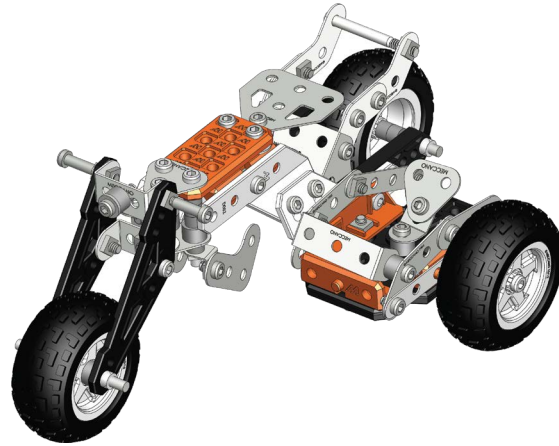
19+20



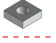
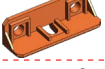
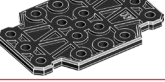
22

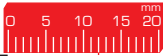
20+21

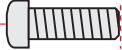


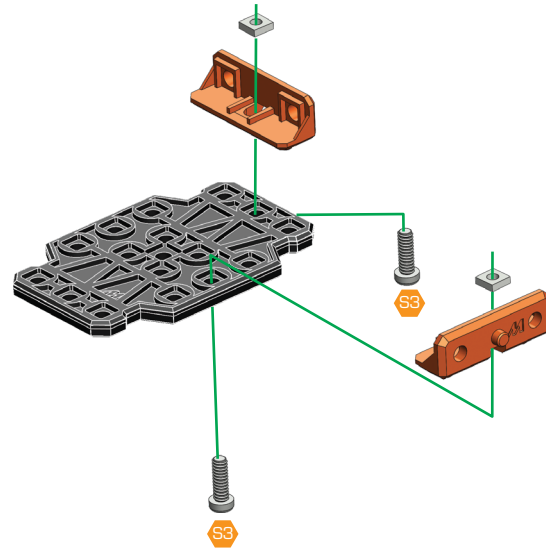


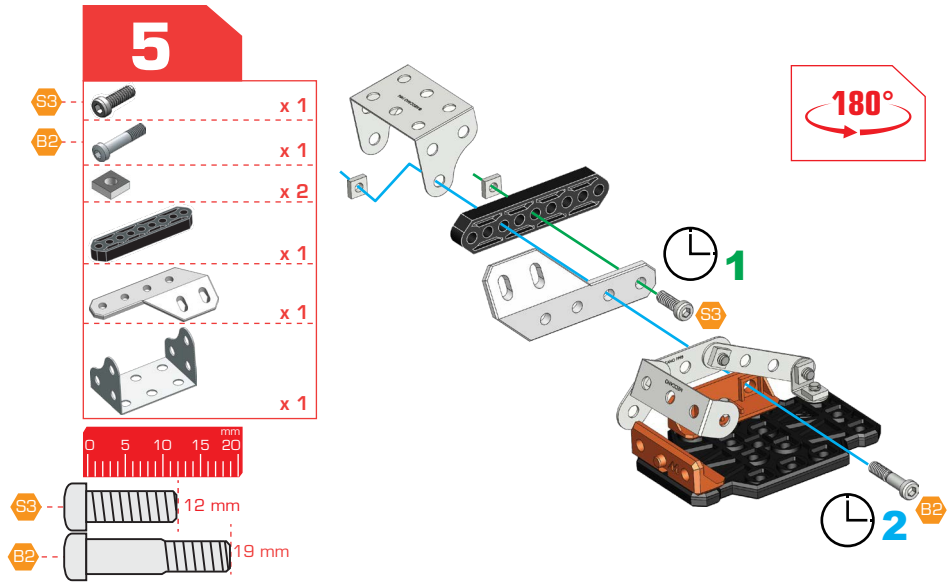
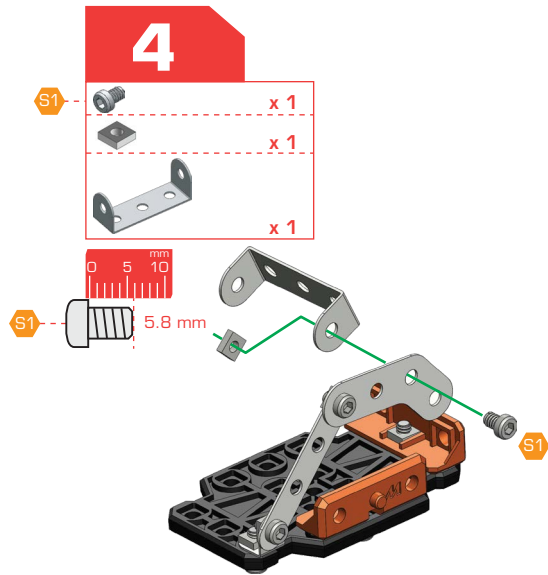
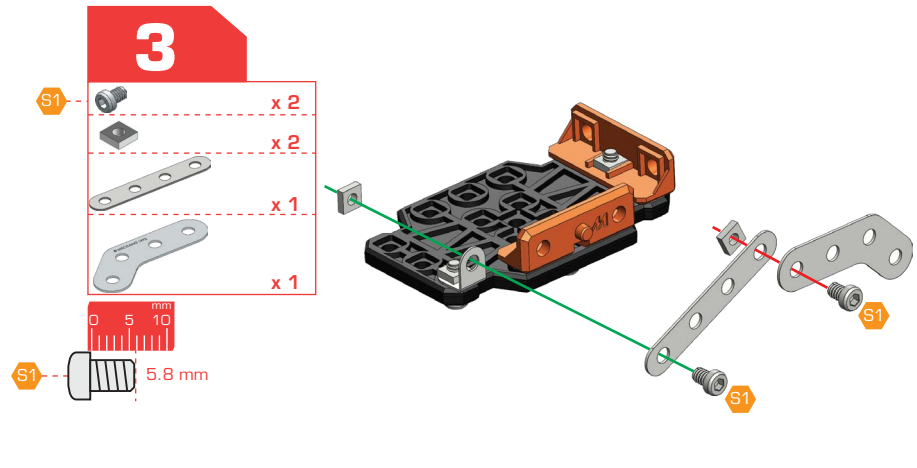
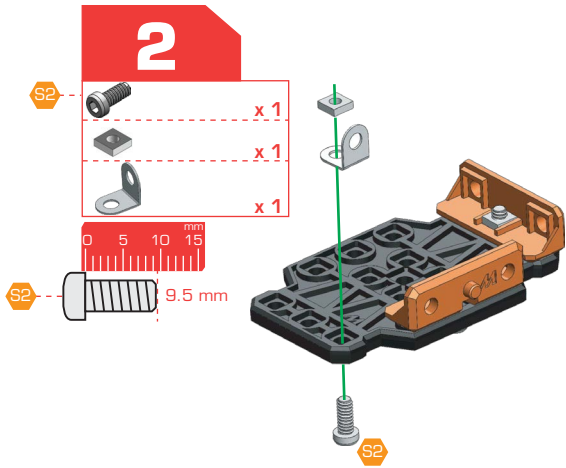
1

	x 2
	x 2
	x 2
	x 1



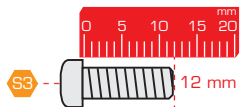
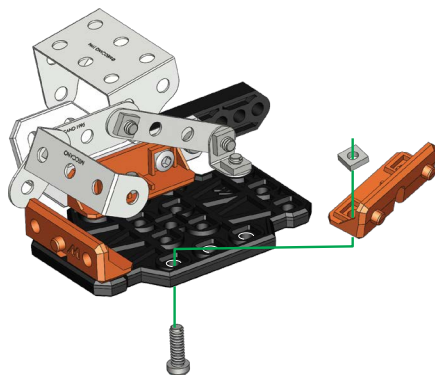
 12 mm





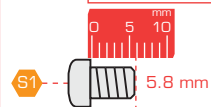
6

- S3 x 1
- x 1
- x 1



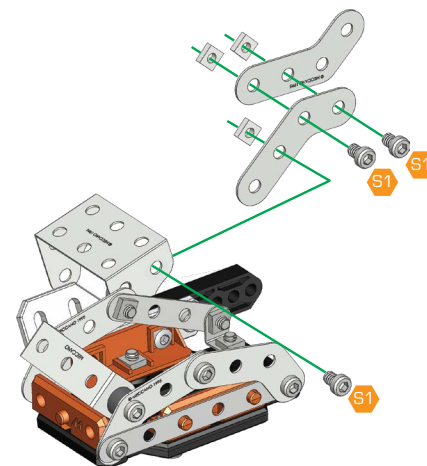
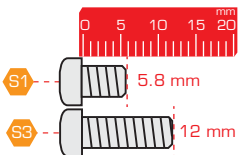
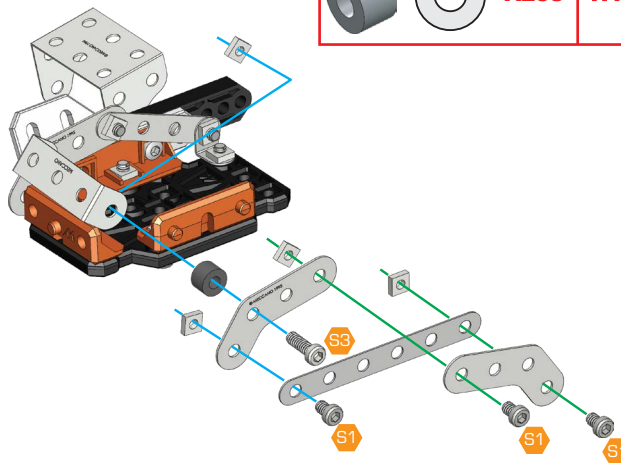
8

- S1 x 3
- x 3
- x 2



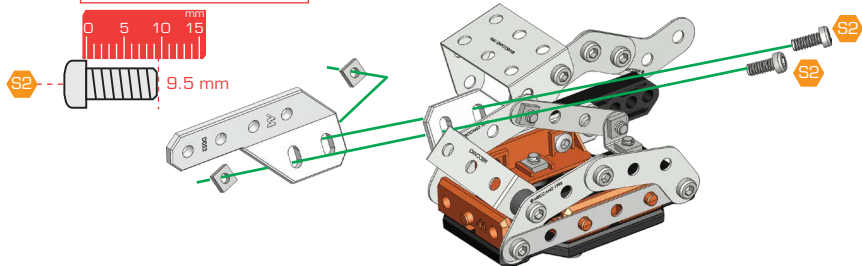
7

- S1 x 3
- S3 x 1
- x 4
- x 1
- x 2
- x 1



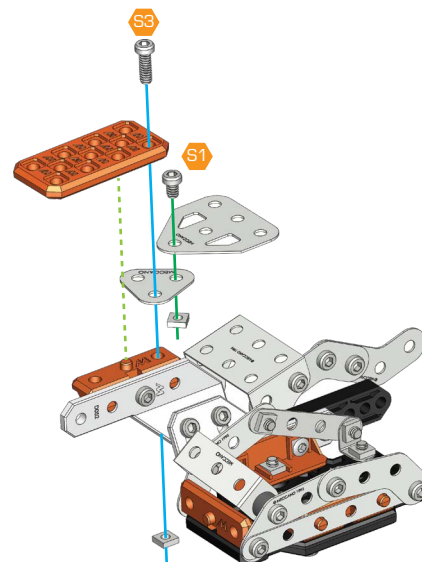
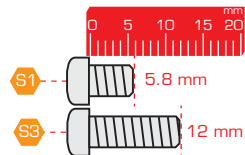
9

- S2 x 2
- x 2
- x 1



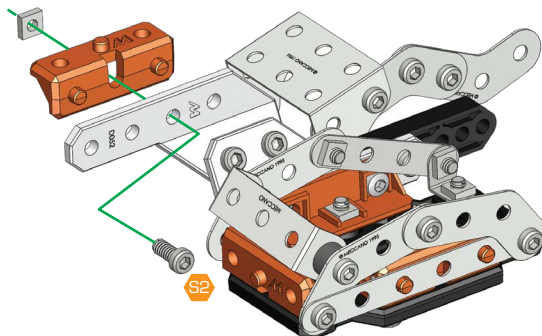
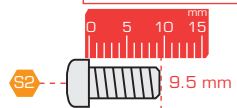
11

- S1 x 1
- S3 x 1
- x 2
- x 1
- x 1
- x 1








10



- S2 x 1
- x 1
- x 1

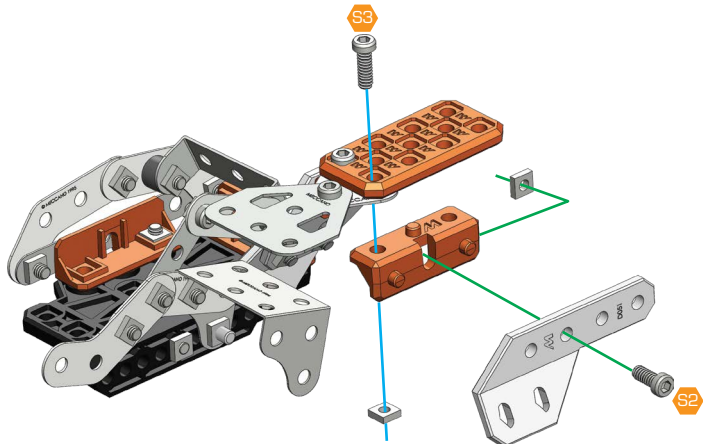


12






-  x 1
-  x 1
-  x 2
-  x 1
-  x 1




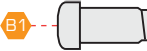
-  9.5 mm
-  12 mm

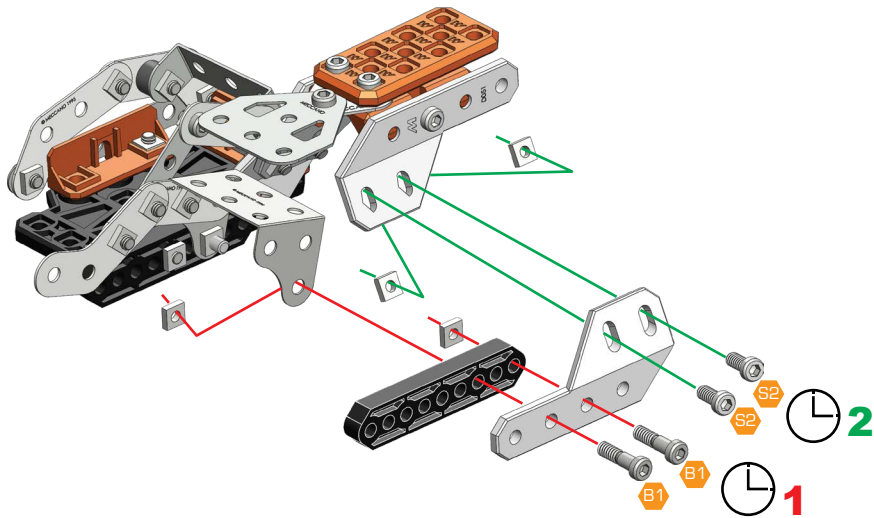


13







-  x 2
-  x 2
-  x 4
-  x 1
-  x 1

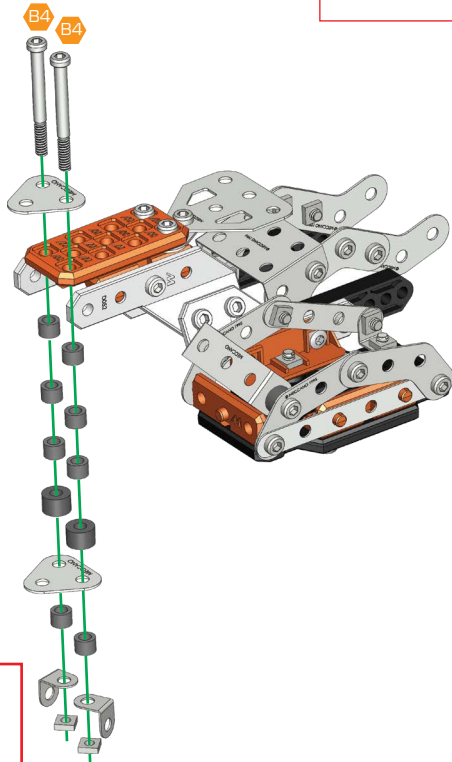


-  9.5 mm
-  14.7 mm







14


-  x 2
-  x 2
-  x 8
-  x 2
-  x 2
-  x 2



180°


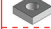

- | | | | |
|---|---|-------------|------------|
|  |  | A238 | 1:1 |
|  |  | A338 | |




 38.1 mm

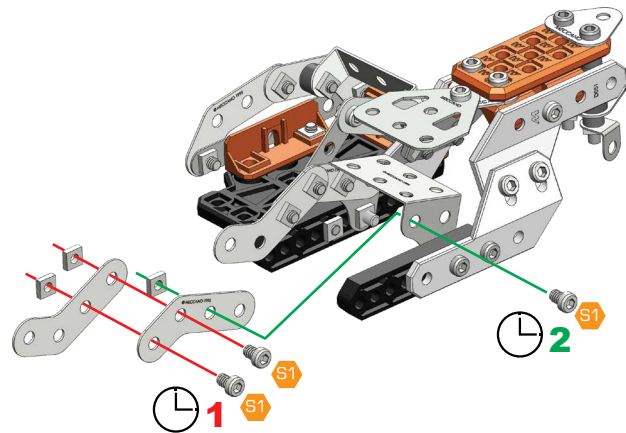
6

15

-  x 3
-  x 3
-  x 2

180°

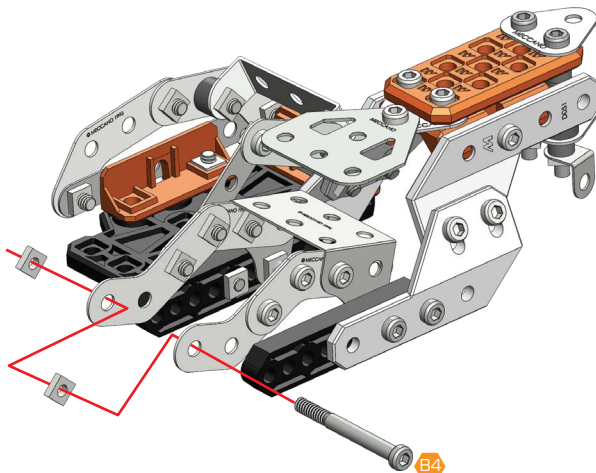
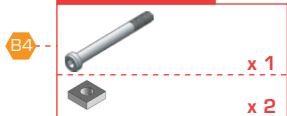
 5.8 mm



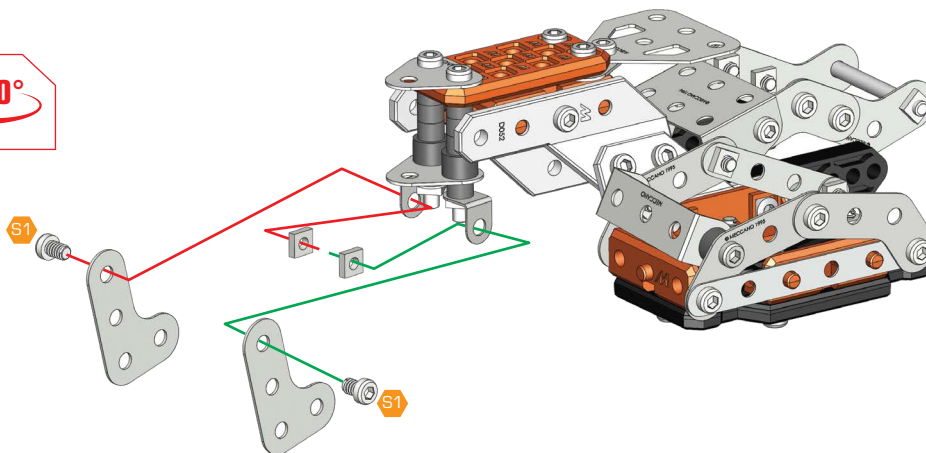
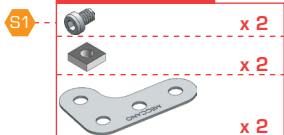
1

2

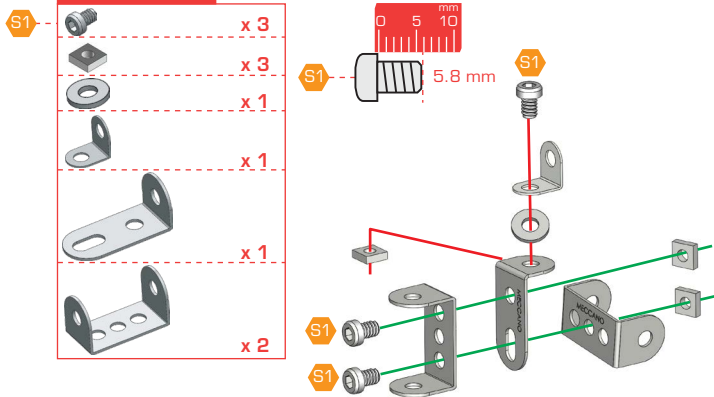
16



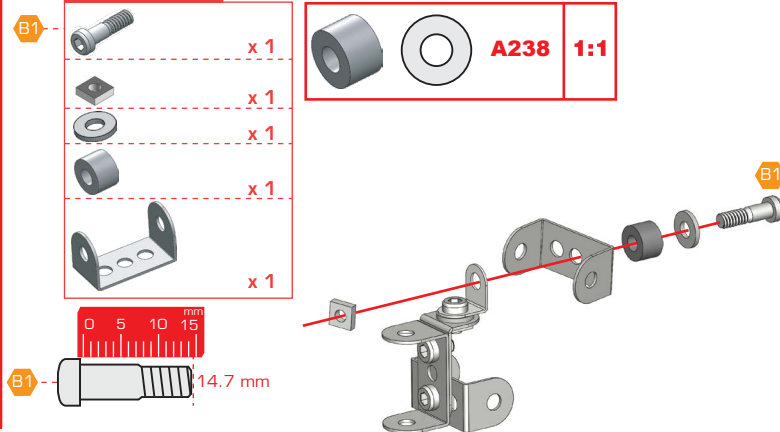
17



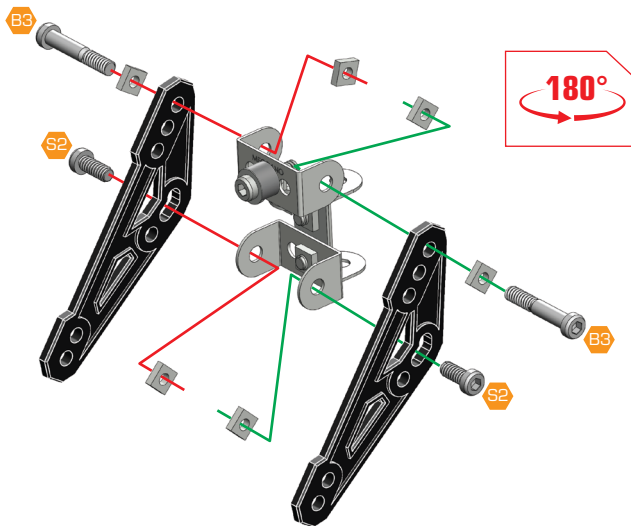
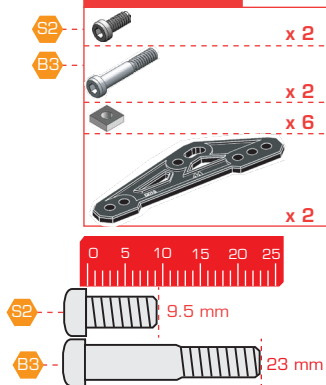
18

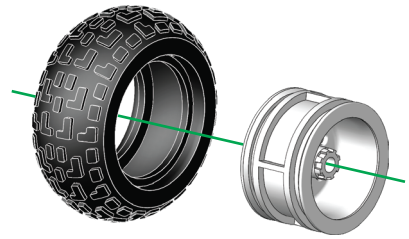
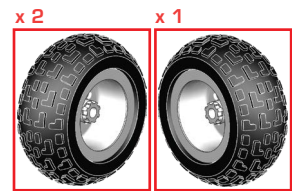
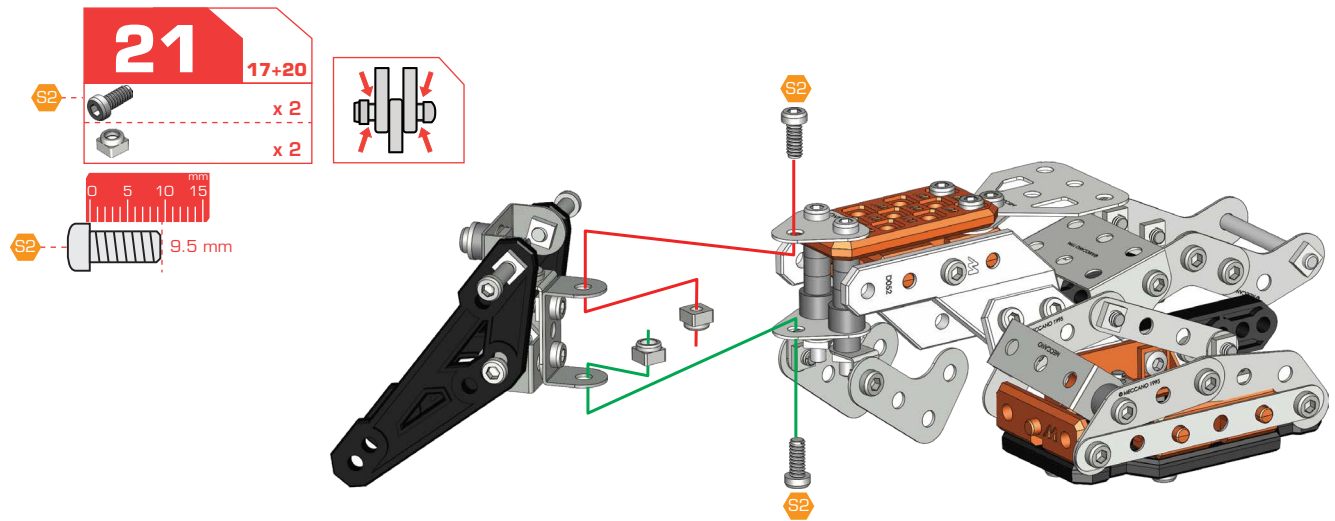


19



20

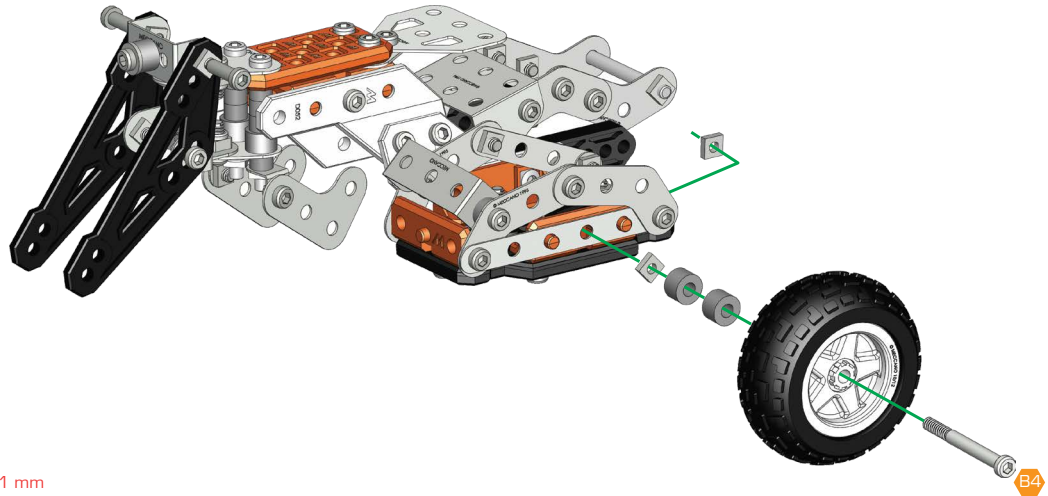
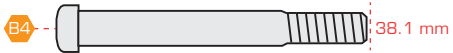




23

21+22

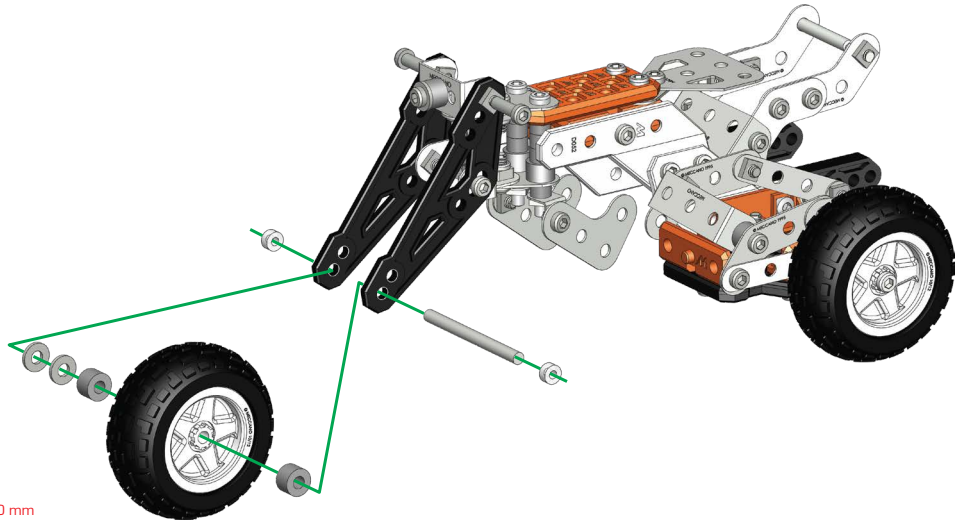
- x 1
- x 2
- x 2



24

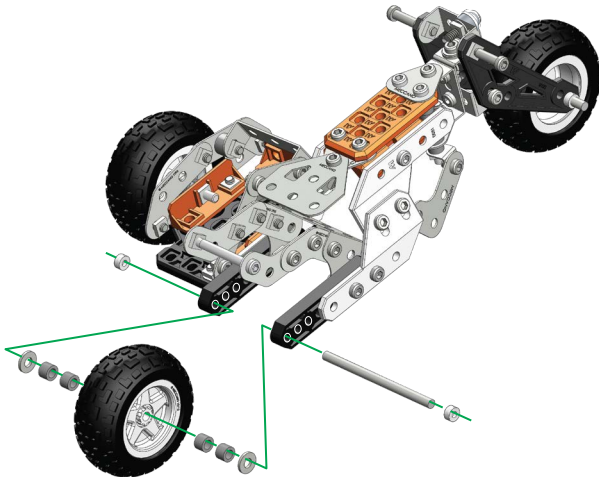
22+23

- x 1
- x 2
- x 2
- x 2

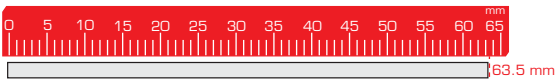


25 22+24

	x 1
	x 2
	x 4
	x 2



		A338	1:1
--	--	-------------	------------

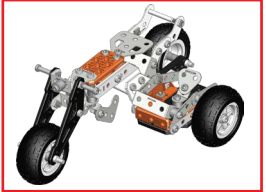


26

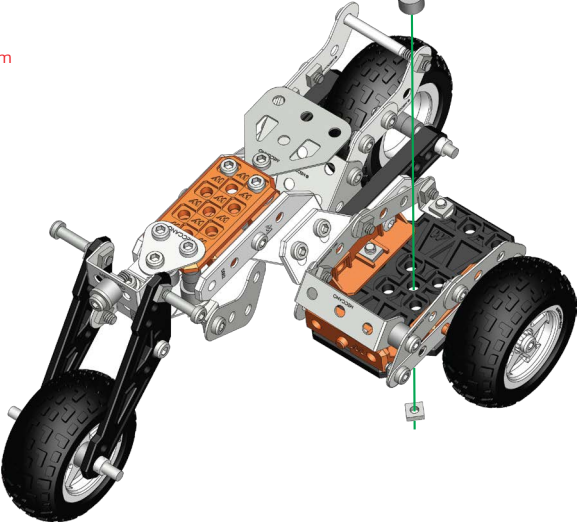
	x 1
	x 1
	x 2
	x 1
	x 1
	x 1



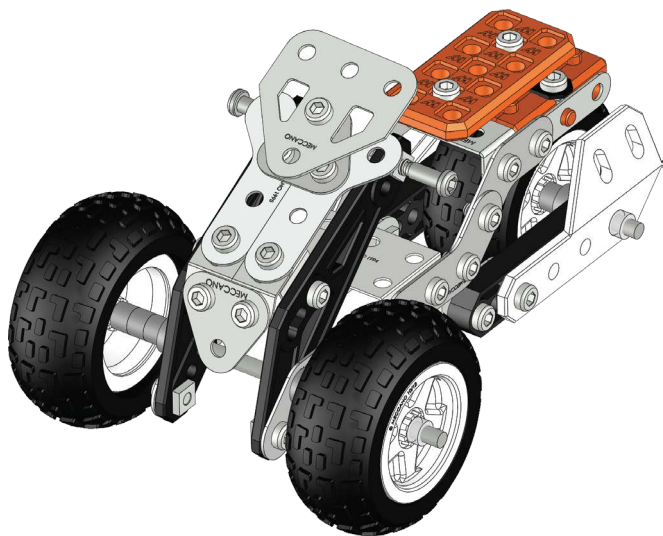
	5.8 mm
	14.7 mm









1



2

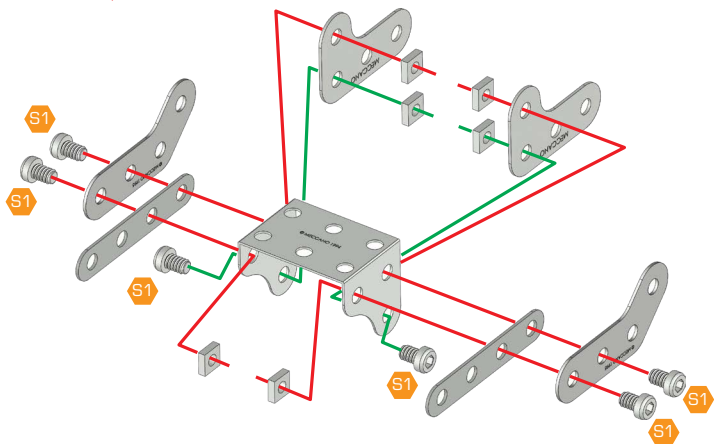


1

-  x 6
-  x 6
-  x 1
-  x 2
-  x 2
-  x 2

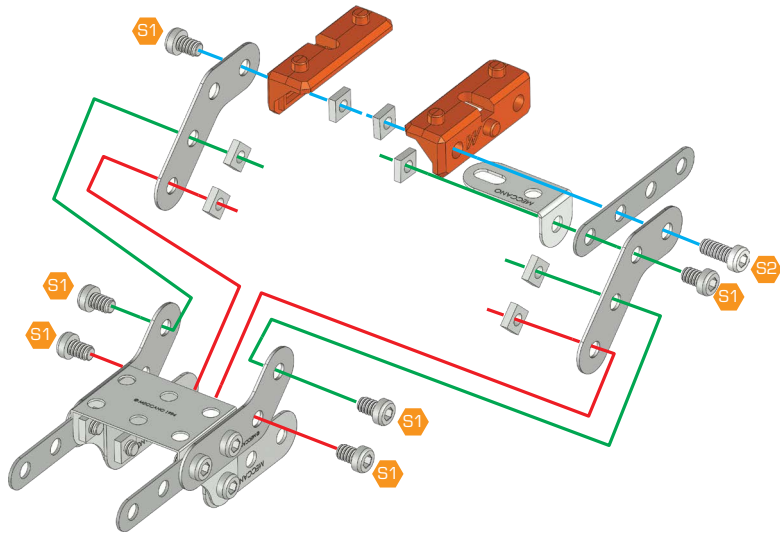


 5.8 mm



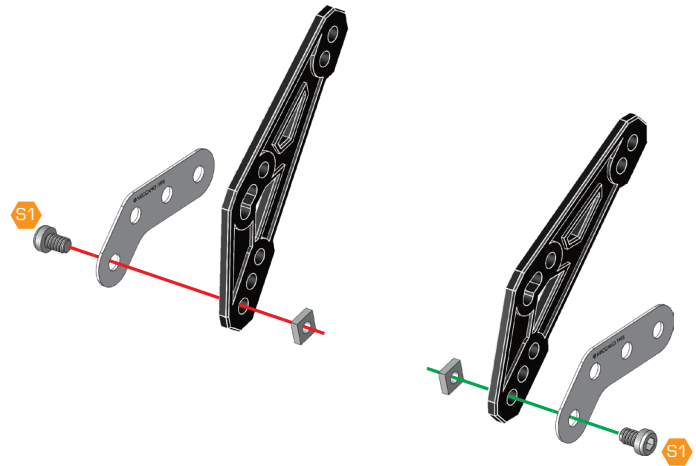
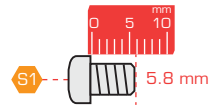
2

- S1 x 6
 - S2 x 1
 - x 7
 - x 2
 - x 1
 - x 1
 - x 2
- 5.8 mm
- 9.5 mm



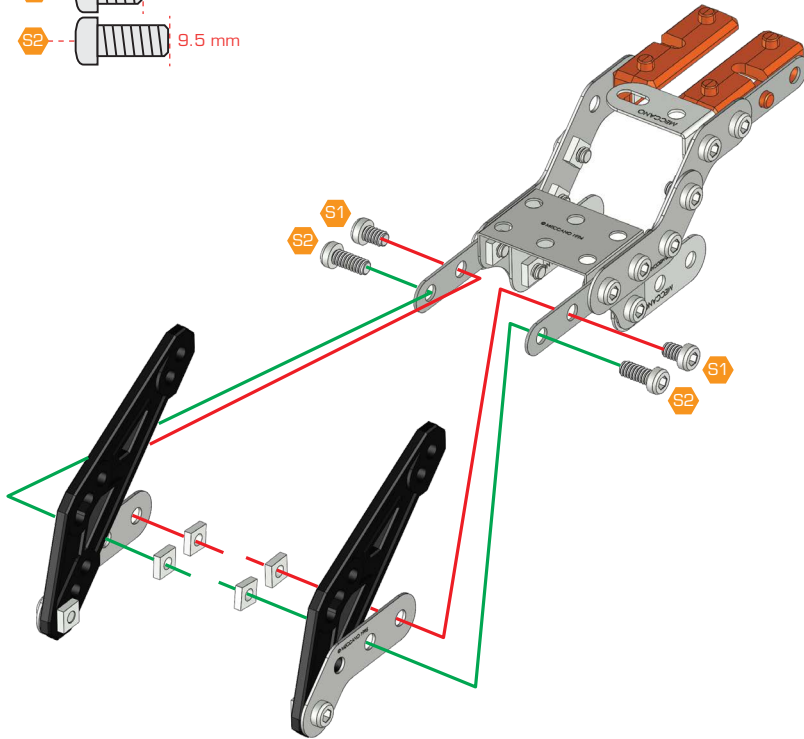
3

- S1 x 2
- x 2
- x 2
- x 2

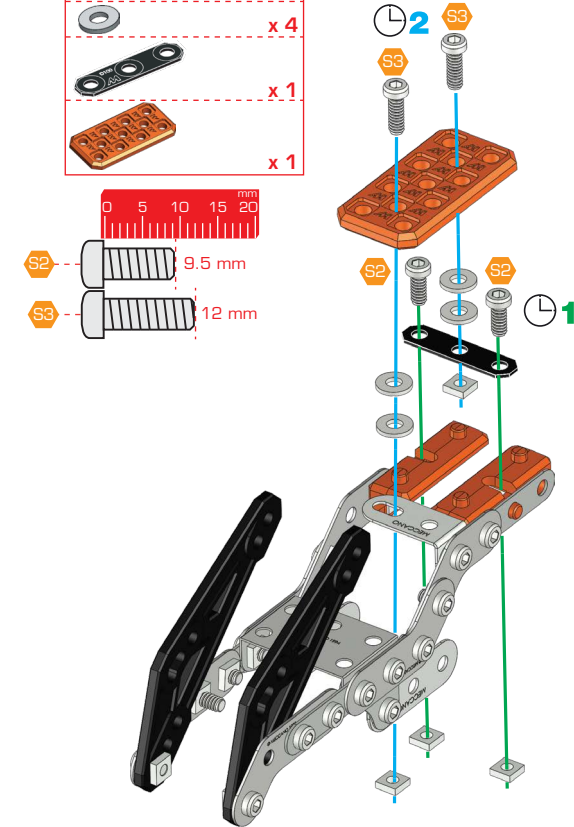


4**2+3**

S1		x 2
S2		x 2
		x 4

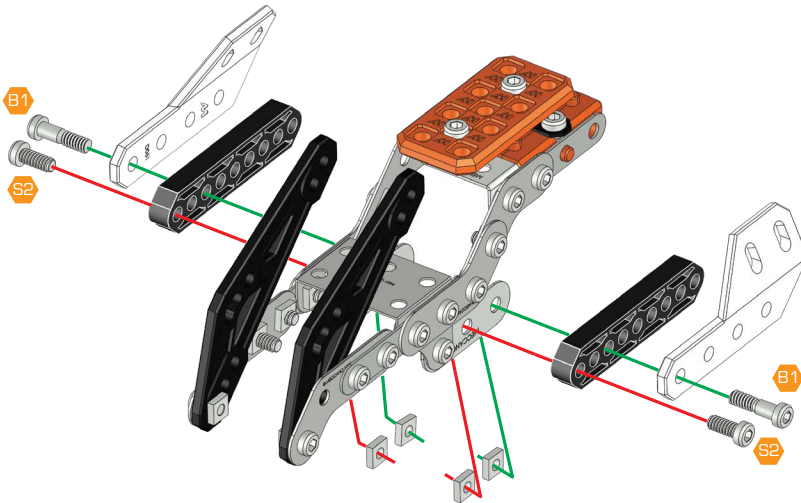
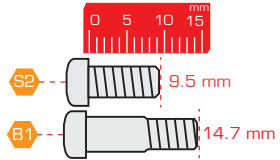
**5**

S2		x 2
S3		x 2
		x 4
		x 4
		x 1
		x 1



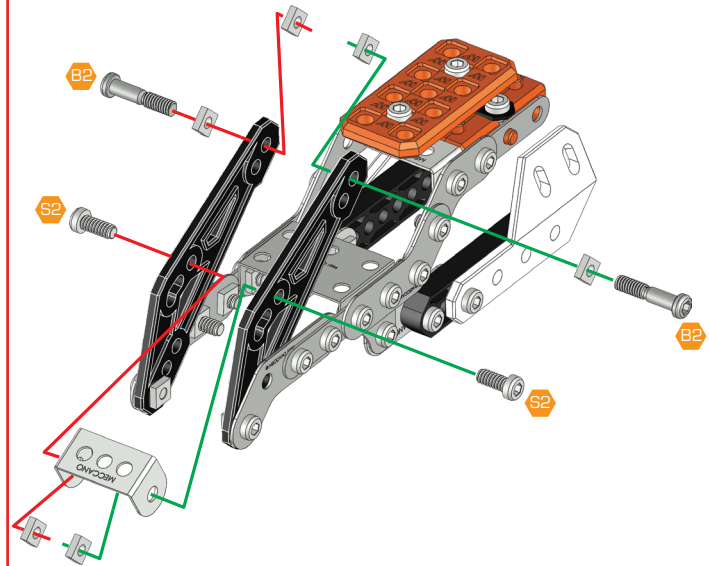
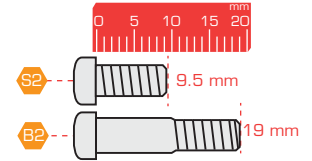
6

- S2 x 2
- B1 x 2
- x 4
- x 1
- x 1
- x 2









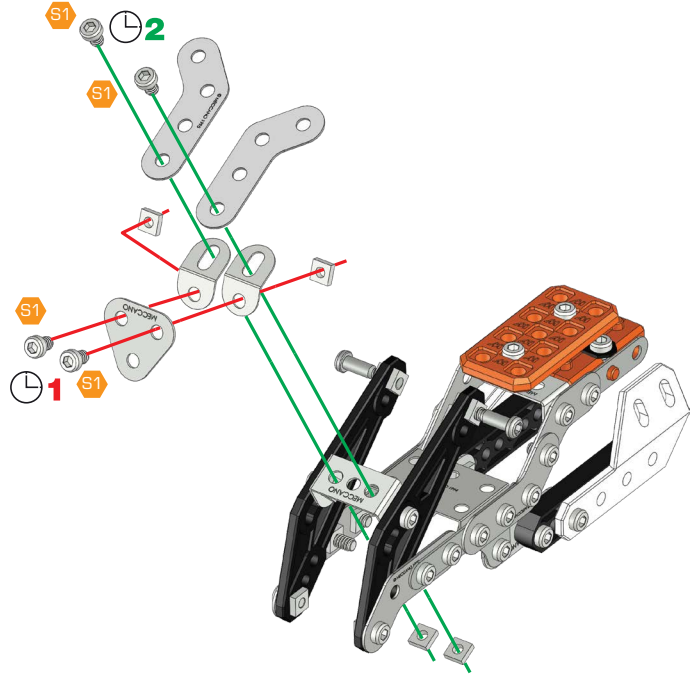
7

- S2 x 2
- B2 x 2
- x 6
- x 1






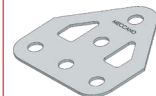






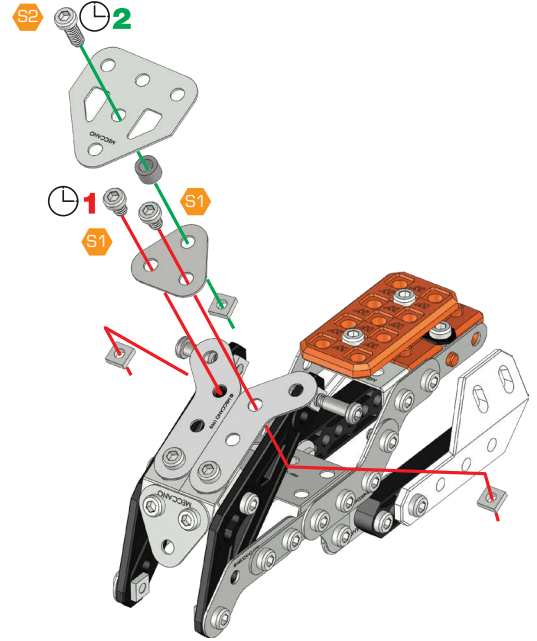
8

-  x 4
 -  x 4
 -  x 2
 -  x 1
 -  x 2
-  5.8 mm

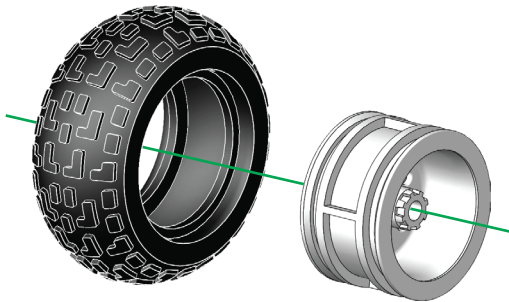
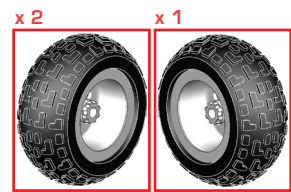


9






-  x 2
 -  x 1
 -  x 3
 -  x 1
 -  x 1
 -  x 1
-  5.8 mm
-  9.5 mm
- | | | | |
|---|---|-------------|------------|
|  |  | A338 | 1:1 |
|---|---|-------------|------------|

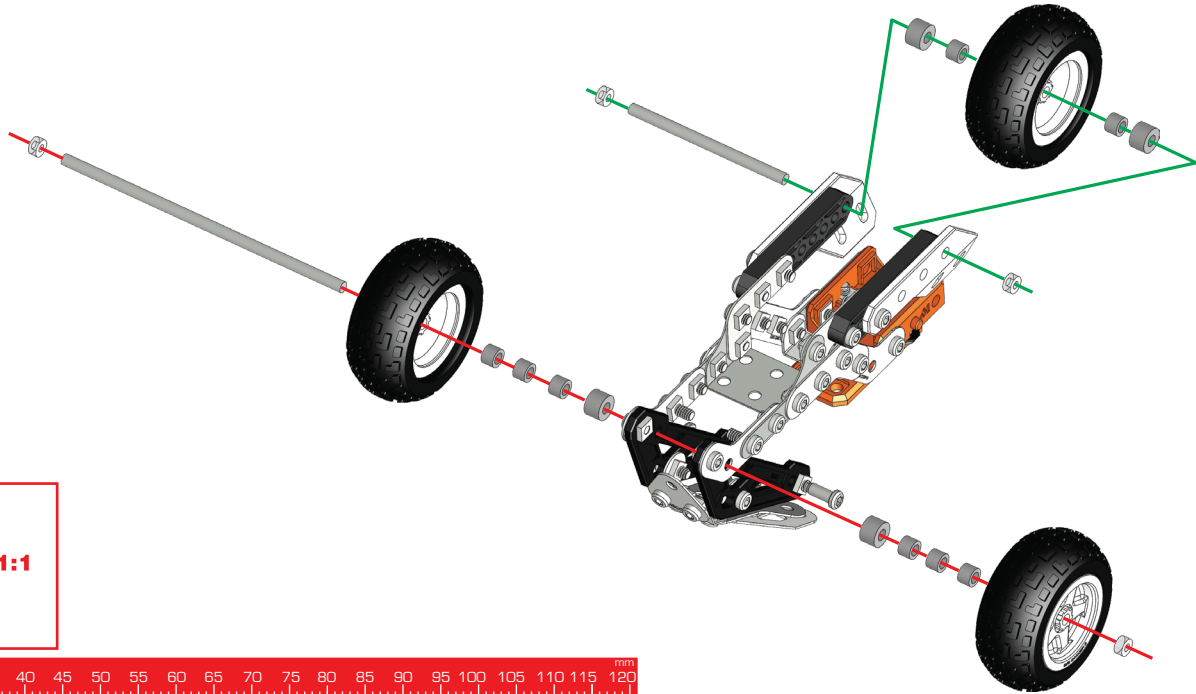
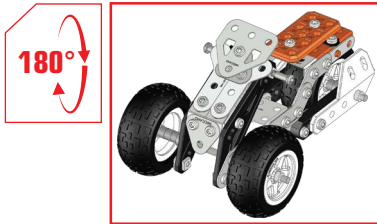






10

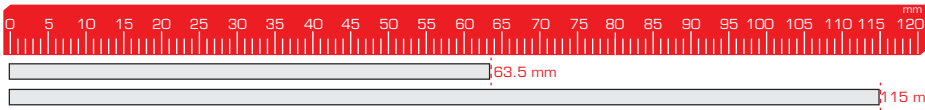


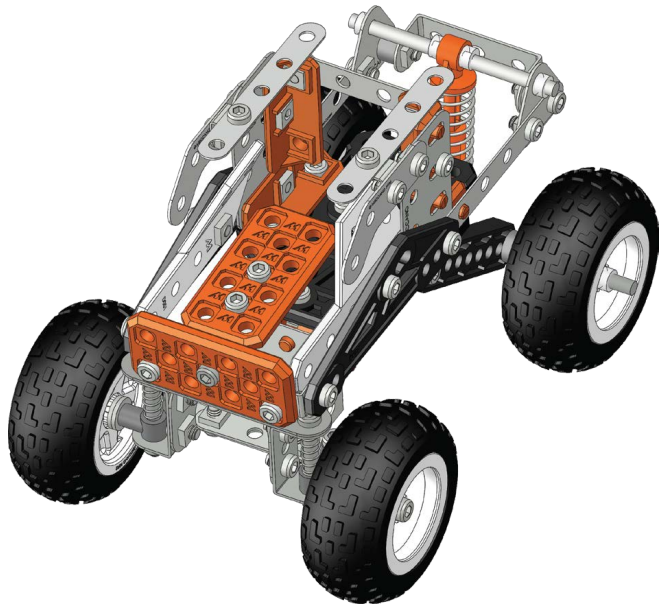
11 **9+10**

-  x 1
-  x 1
-  x 4
-  x 8
-  x 4



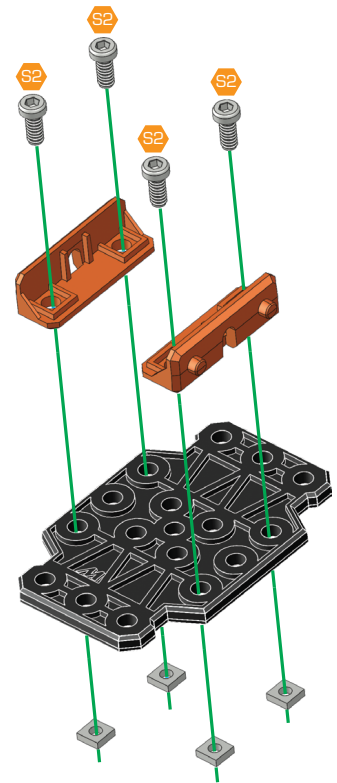
		A238	1:1
		A338	

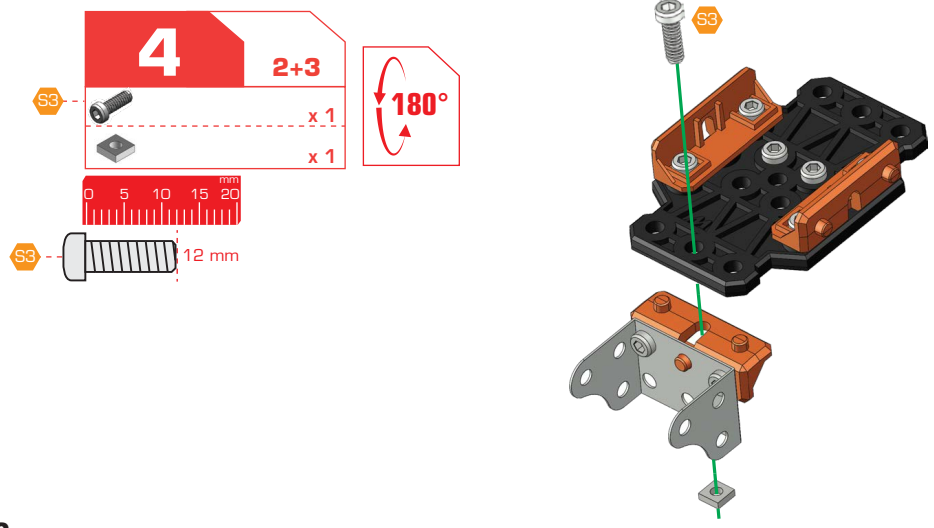
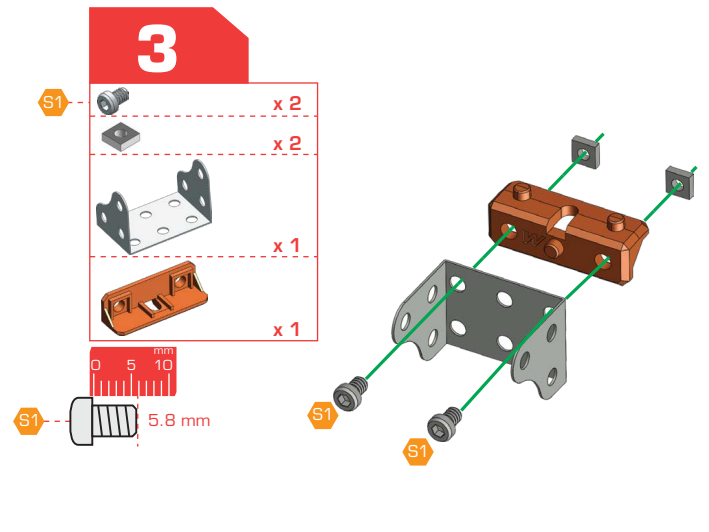
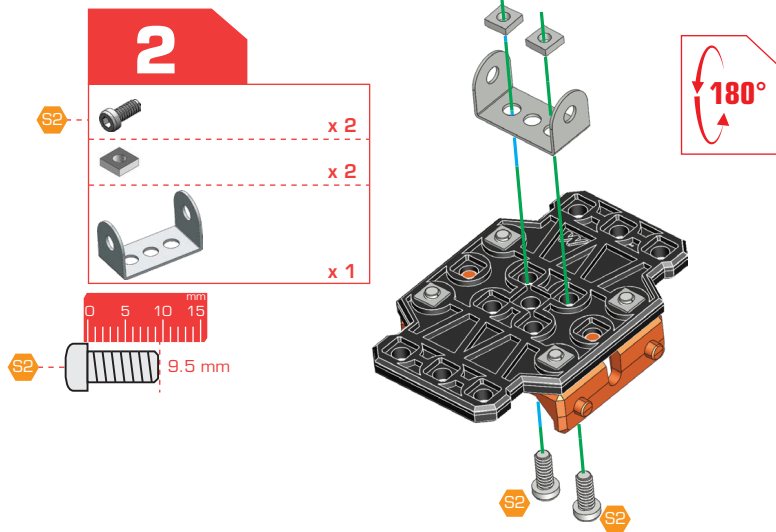











1

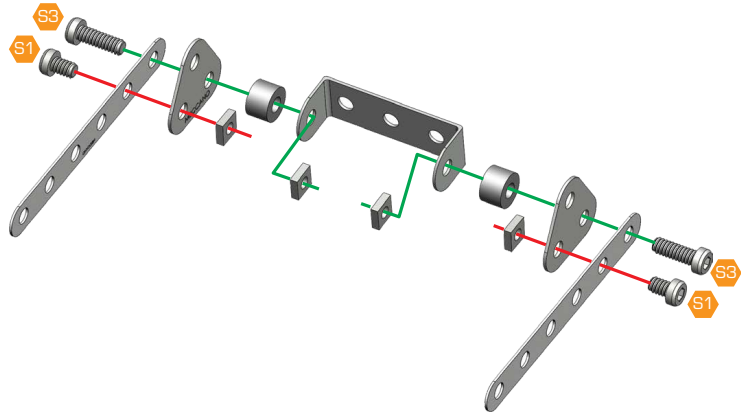
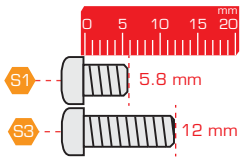
-     x 4
 -     x 4
 -  x 2
 -  x 1
-   9.5 mm











5

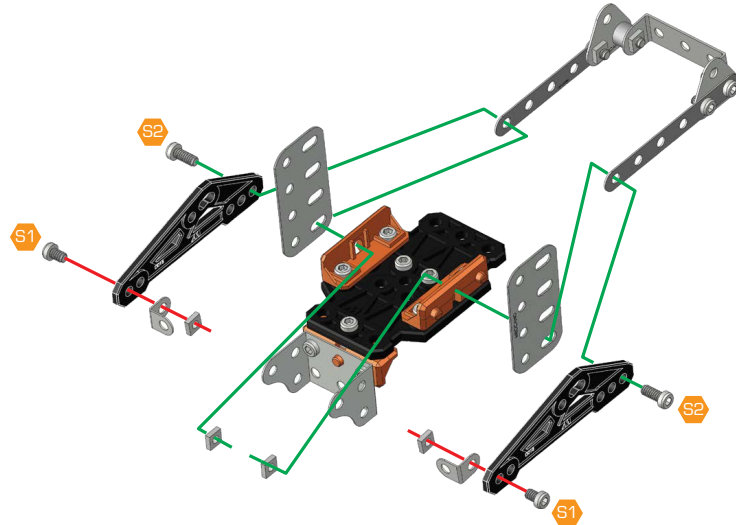
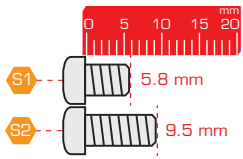
-  x 2
-  x 2
-  x 4
-  x 2
-  x 2
-  x 1
-  x 2



6

4+5

-  x 2
-  x 2
-  x 4
-  x 2
-  x 2
-  x 2

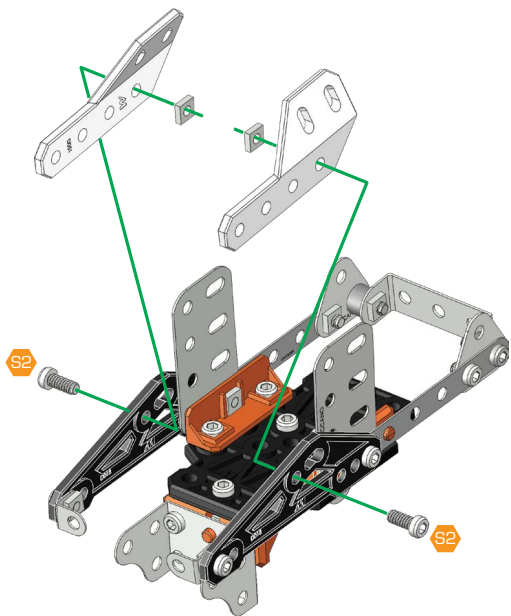


7

- S2 x 2
- x 2
- x 1
- x 1

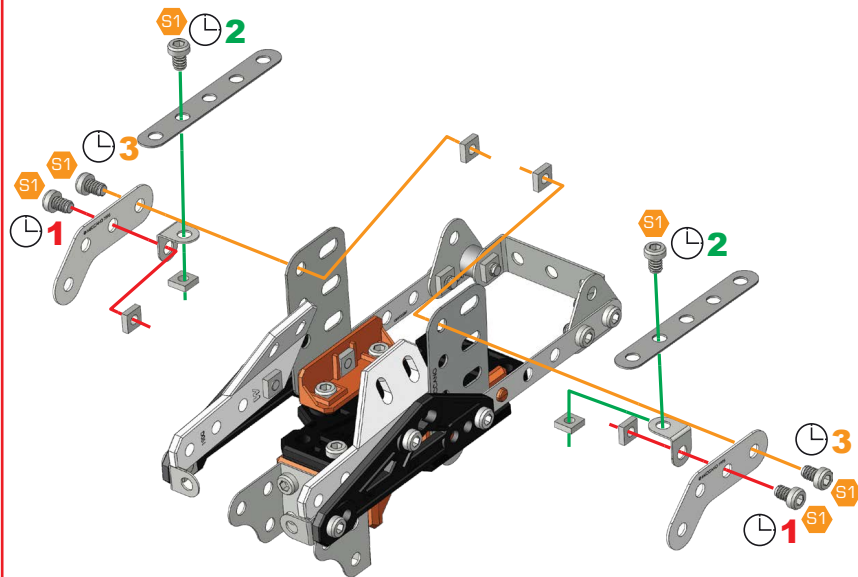
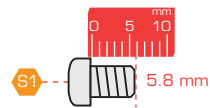


S2 9.5 mm



8

- S1 x 6
- x 6
- x 2
- x 2
- x 2



9

- S1 x 2
- x 2
- x 1
- x 2

5.8 mm

10

8+9

- S1 x 2
- x 2

5.8 mm

11

- S2 x 2
- B1 x 1
- x 3
- x 1
- x 1
- x 2

9.5 mm

14.7 mm

	A238	1:1
--	-------------	------------

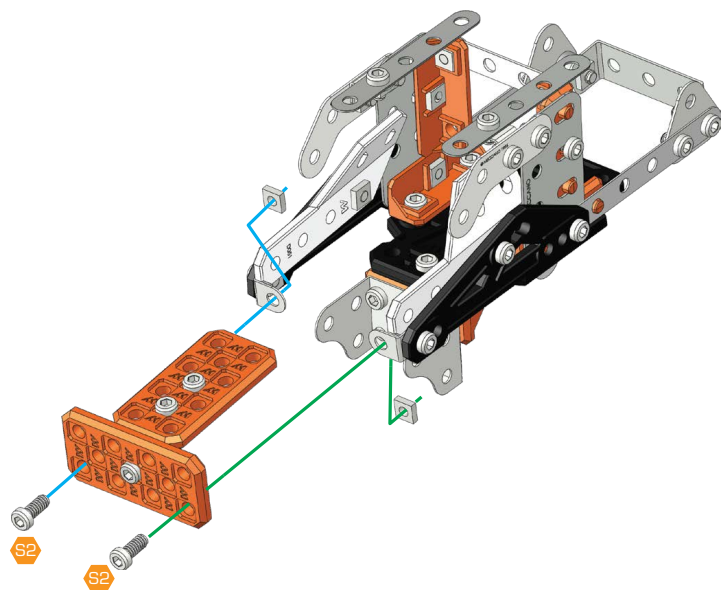
12

10+11










- S2  x 2
-  x 2




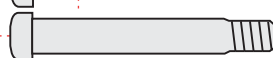
- S2  9.5 mm

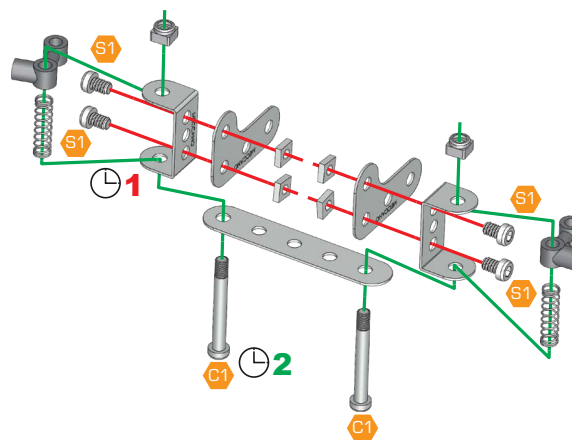
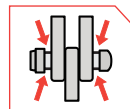


13




- S1  x 4
- C1  x 2
-  x 4
-  x 2
-  x 2
-  x 1
-  x 2
-  x 2
-  x 2

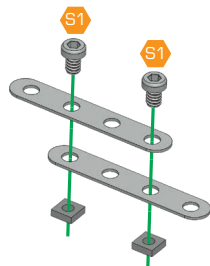
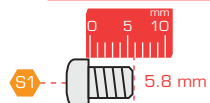


- S1  5.8 mm
- C1  32 mm



14

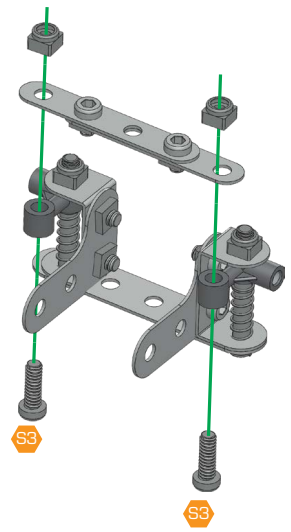
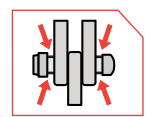
- S1  x 2
-  x 2
-  x 2



15

13+14

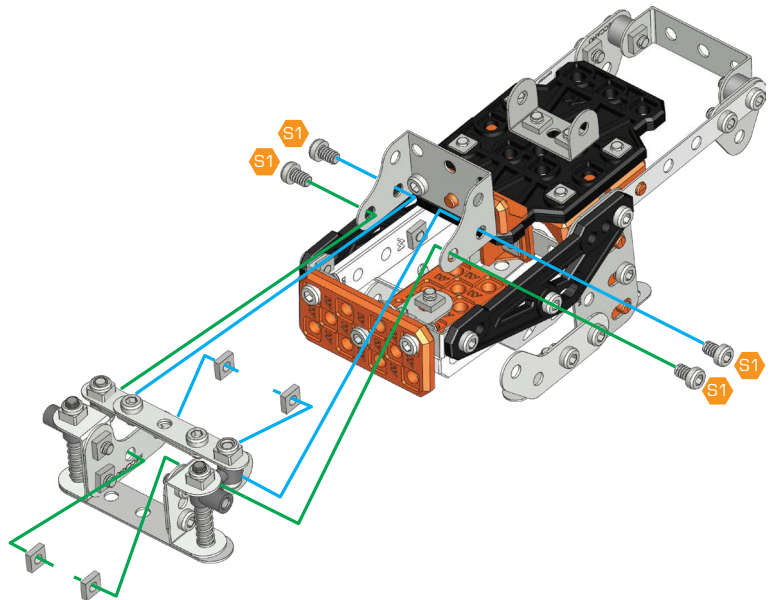
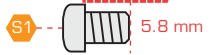
- S3  x 2
-  x 2



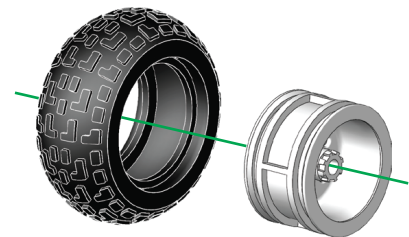
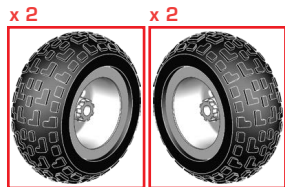
16

12+15

- S1  x 4
-  x 4

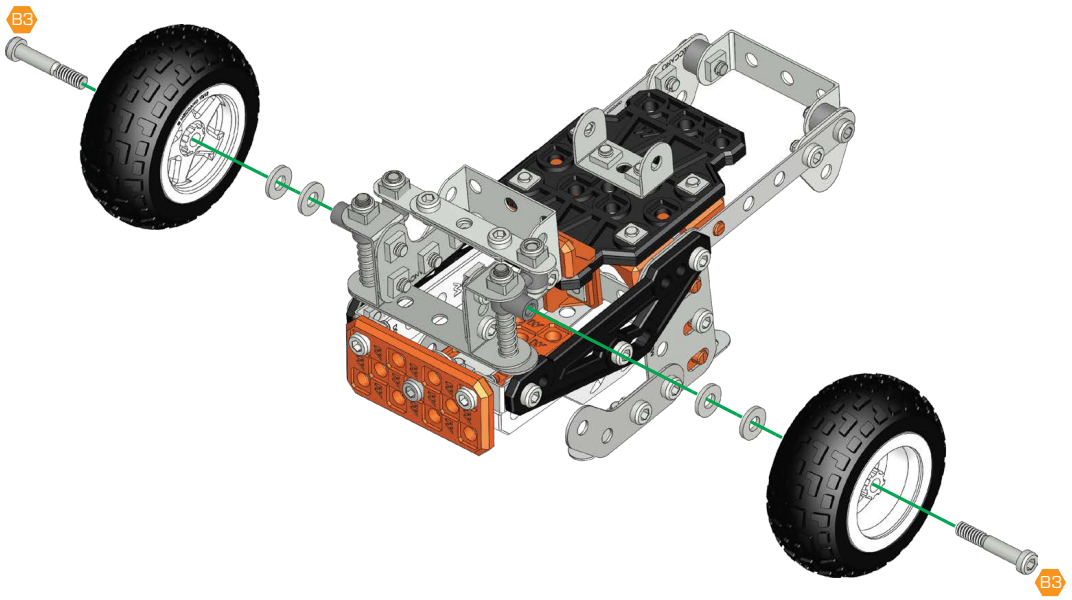
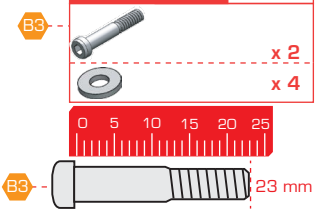


17

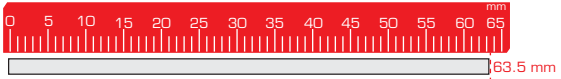
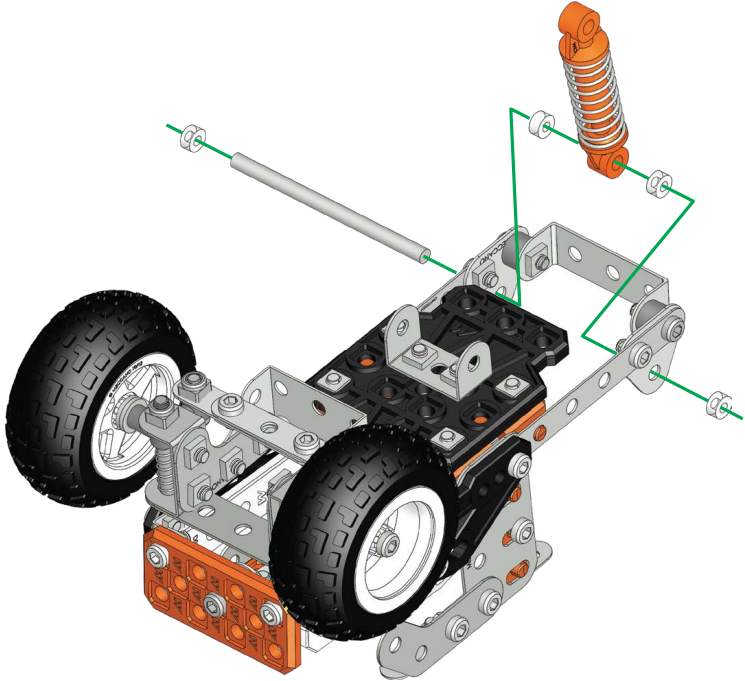
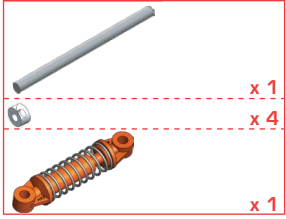


18


16+17

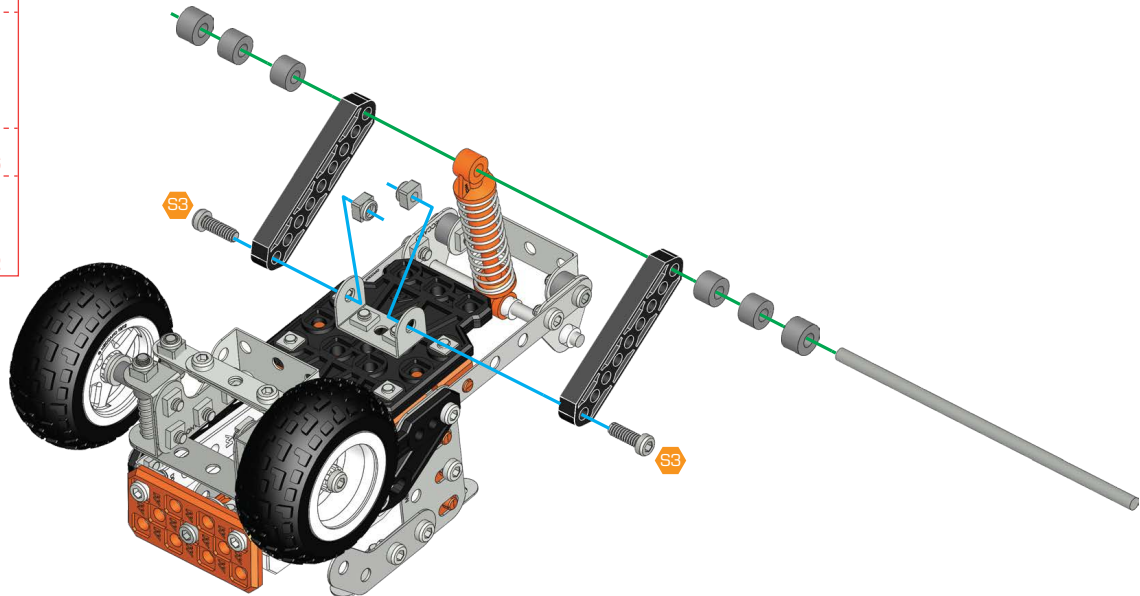


19

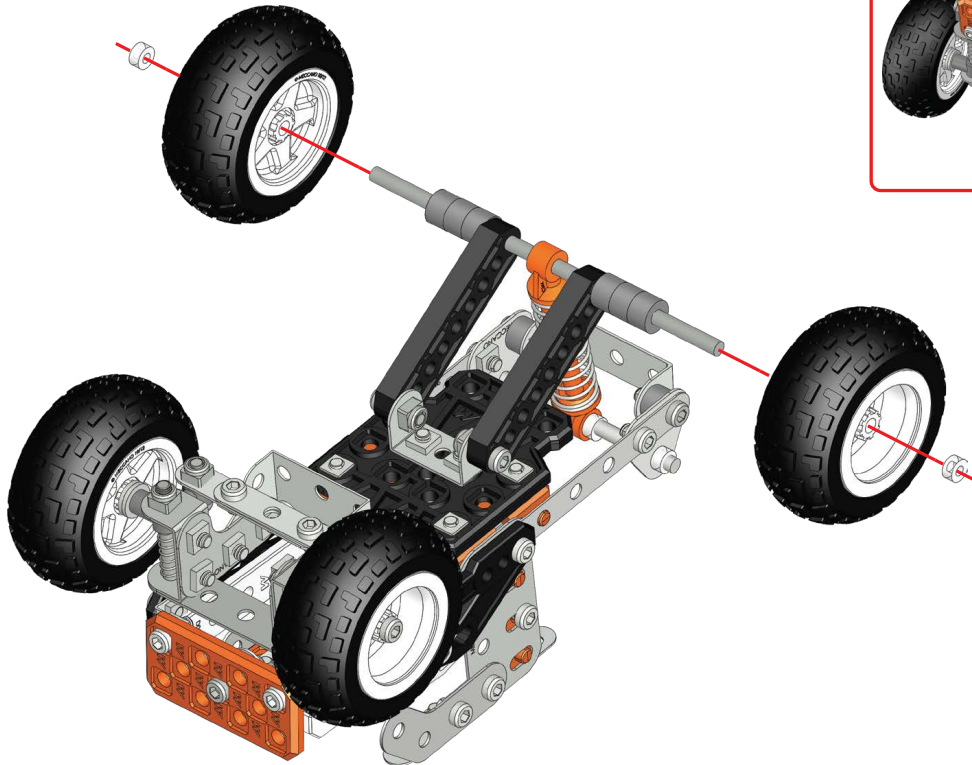


20

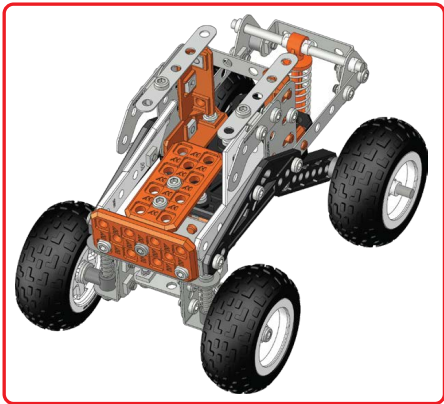
-  x 2
-  x 2
-  x 1
-  x 6
-  x 2

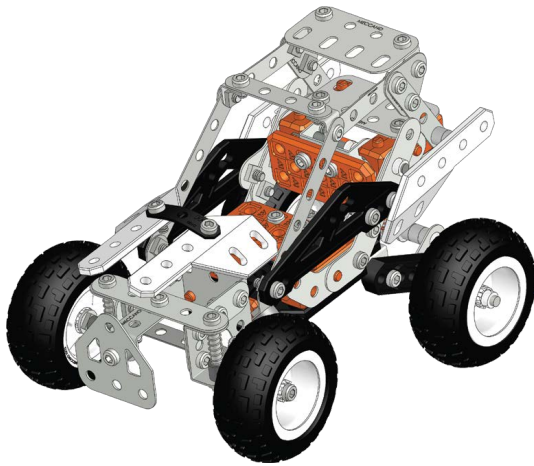


21 17+20
x 2




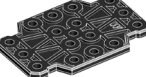


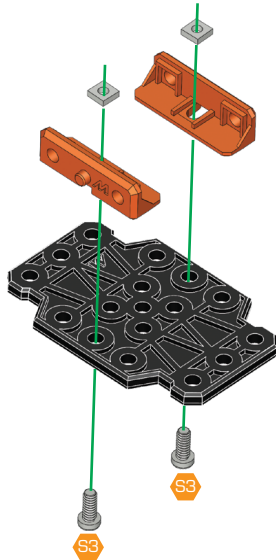
180°










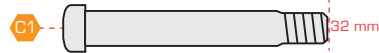
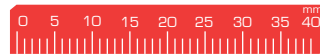
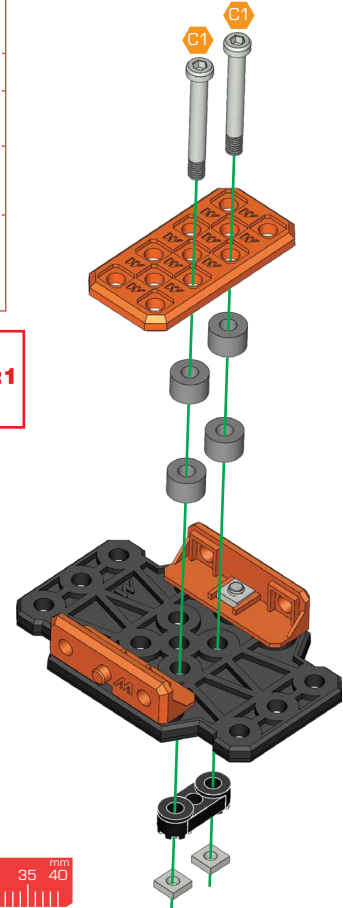
1

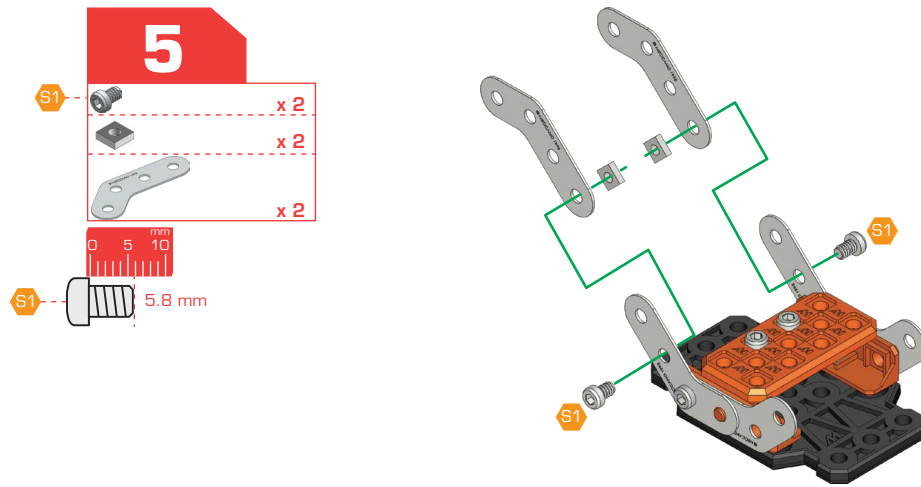
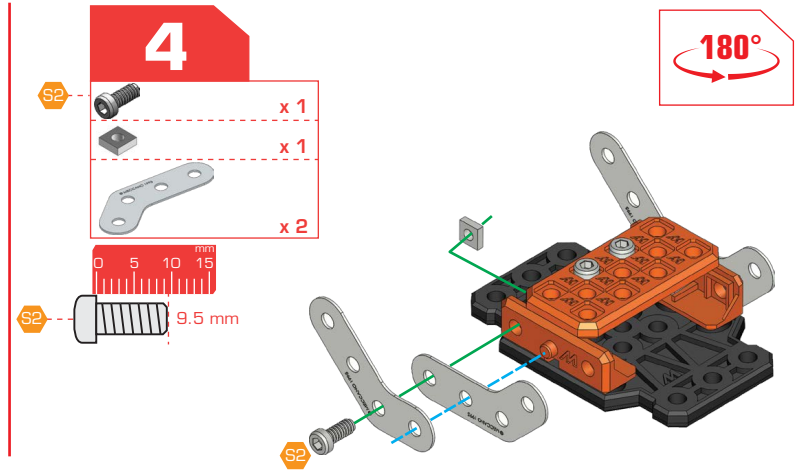
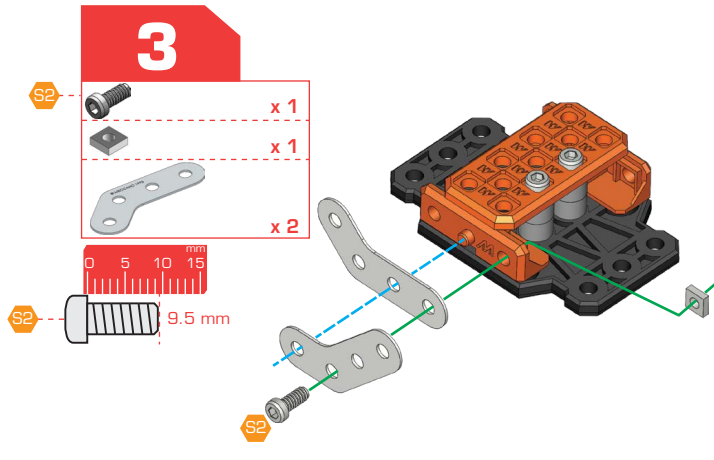
-  x 2
-  x 2
-  x 2
-  x 1







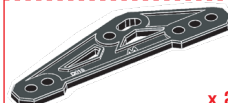
2

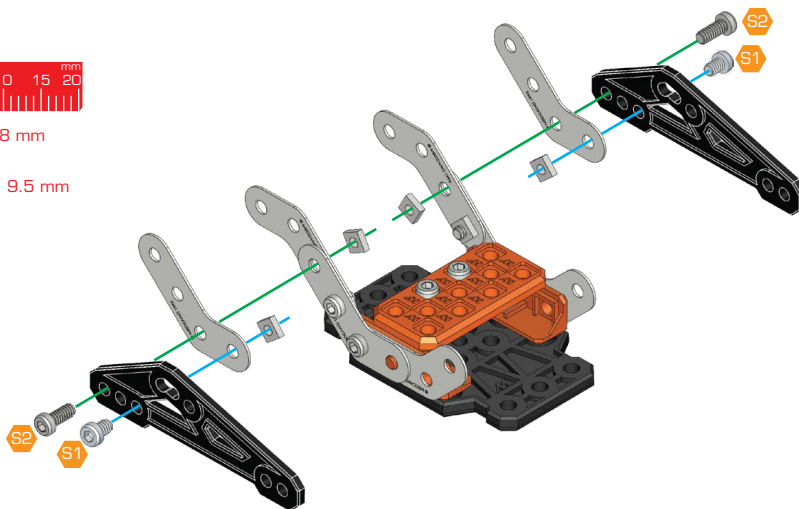
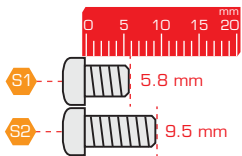
-  x 2
-  x 2
-  x 4
-  x 1
-  x 1








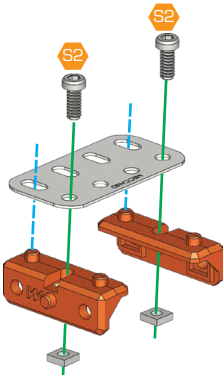
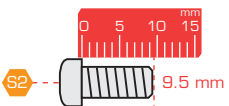
6

	x 2
	x 2
	x 4
	x 2
	x 2







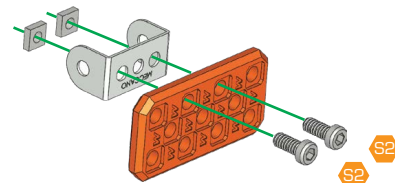
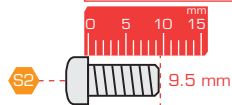
7

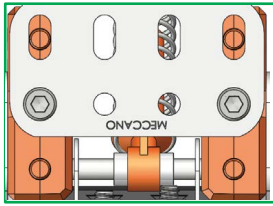
	x 2
	x 2
	x 2
	x 1



8

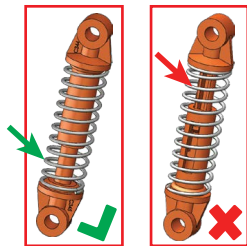
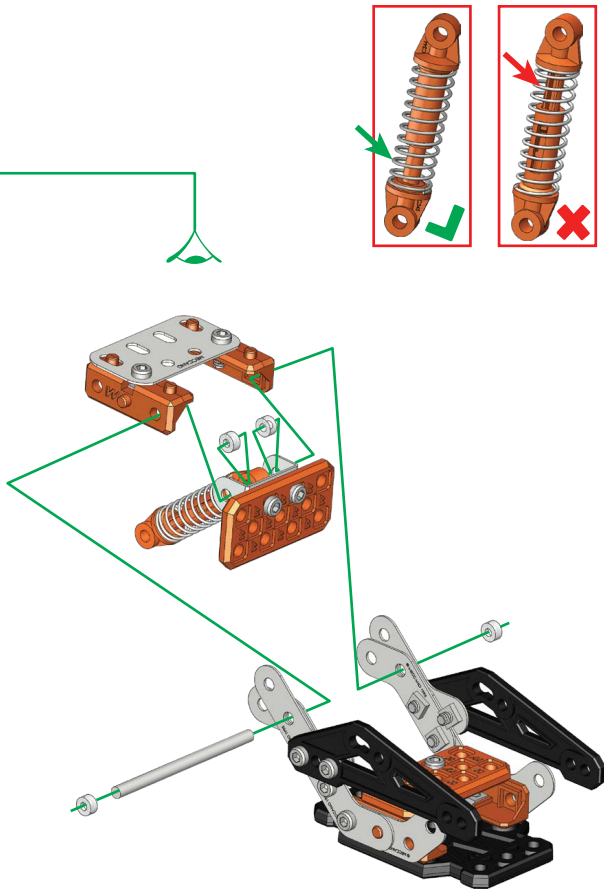
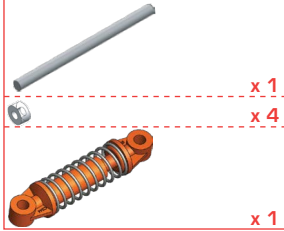
	x 2
	x 2
	x 1
	x 1



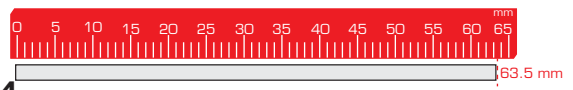
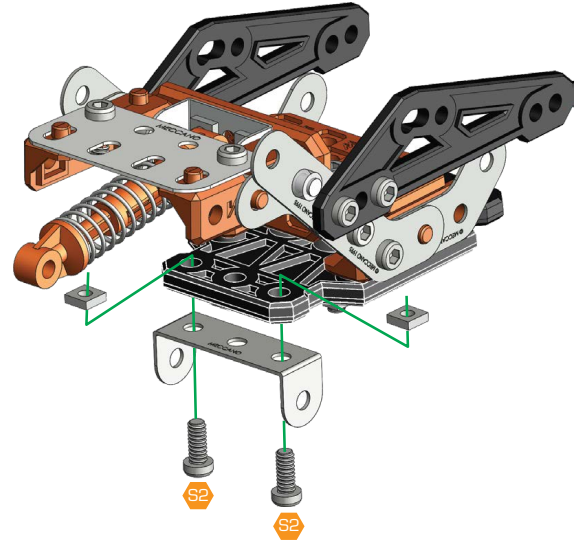
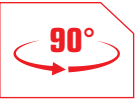
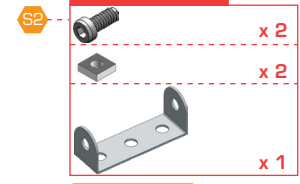


9









6+7+8

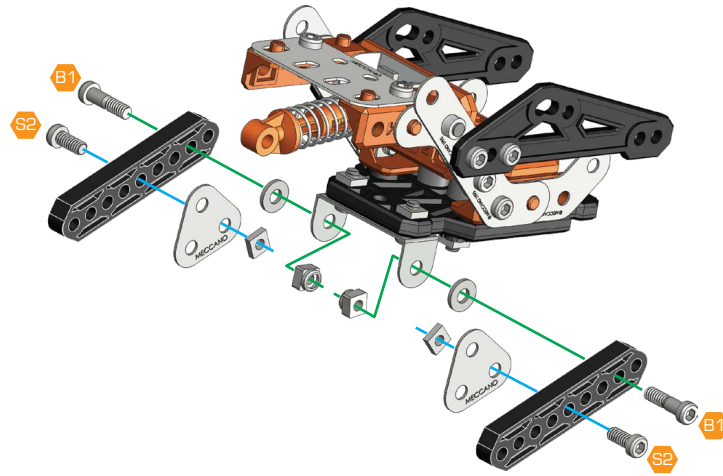
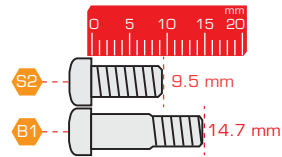
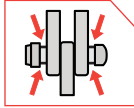


10







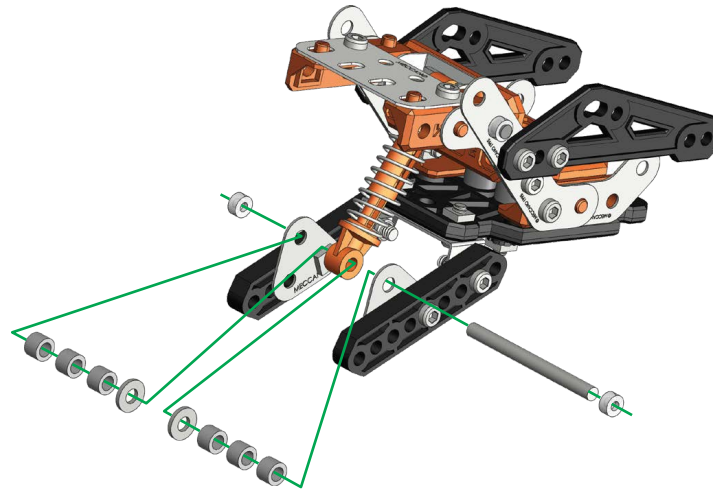
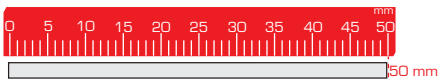
11

-  x 2
-  x 2
-  x 2
-  x 2
-  x 2
-  x 2
-  x 2
-  x 2

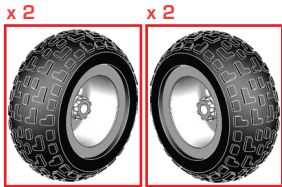


12

-  x 1
-  x 2
-  x 6
-  x 2

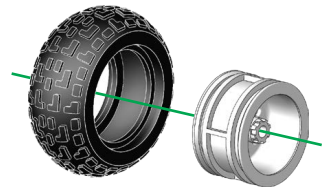
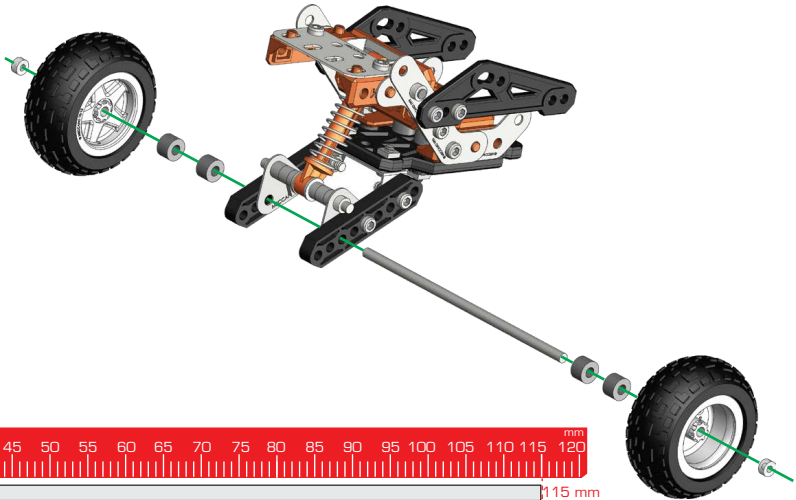
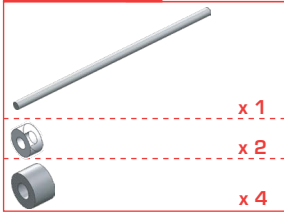


13

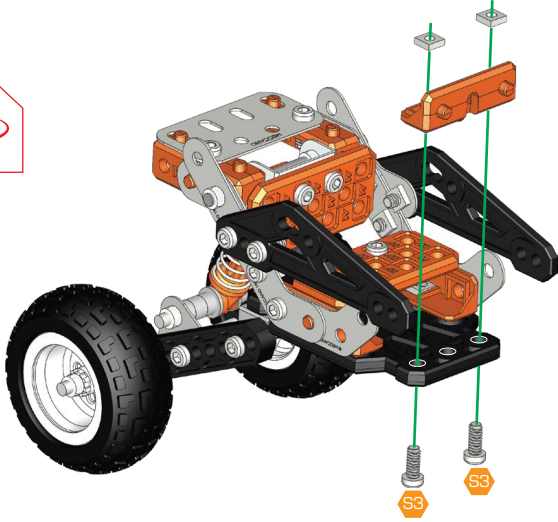
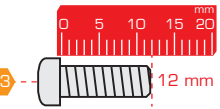
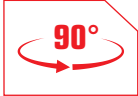
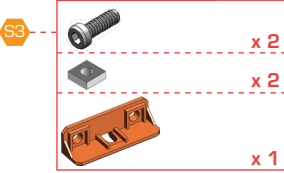


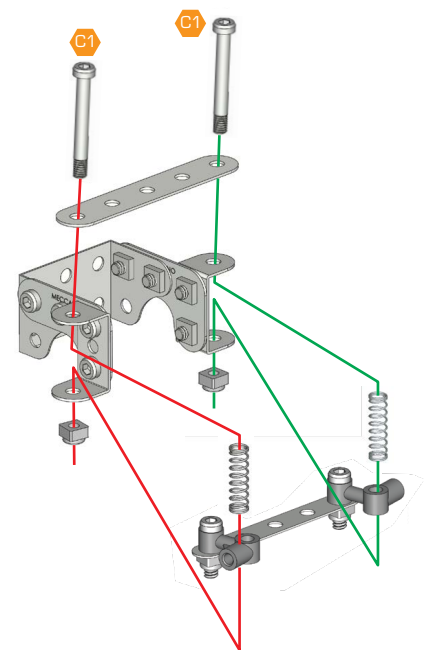
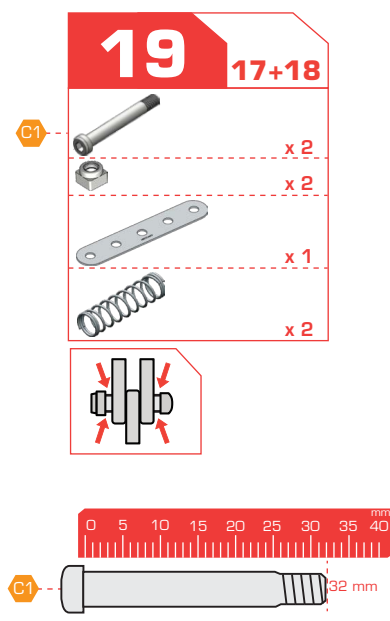
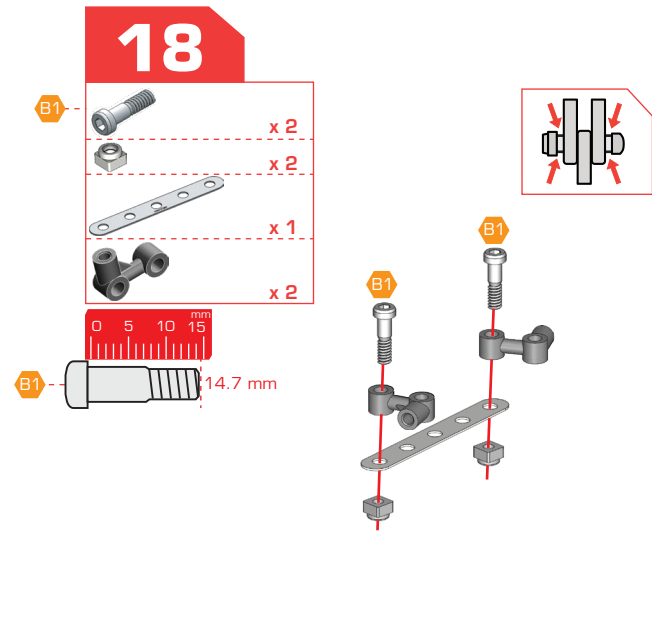
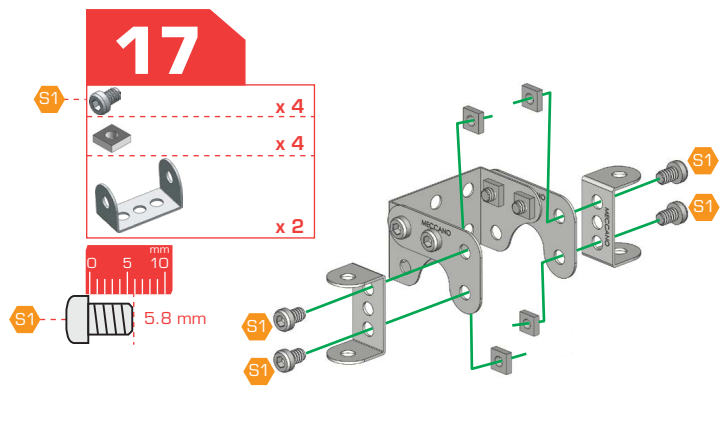
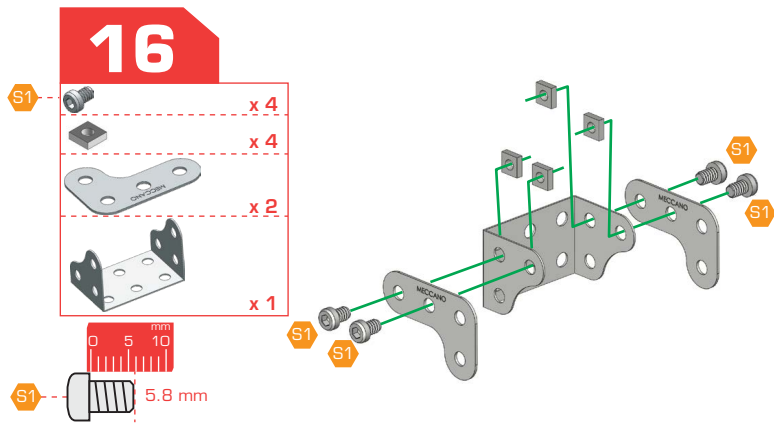
14

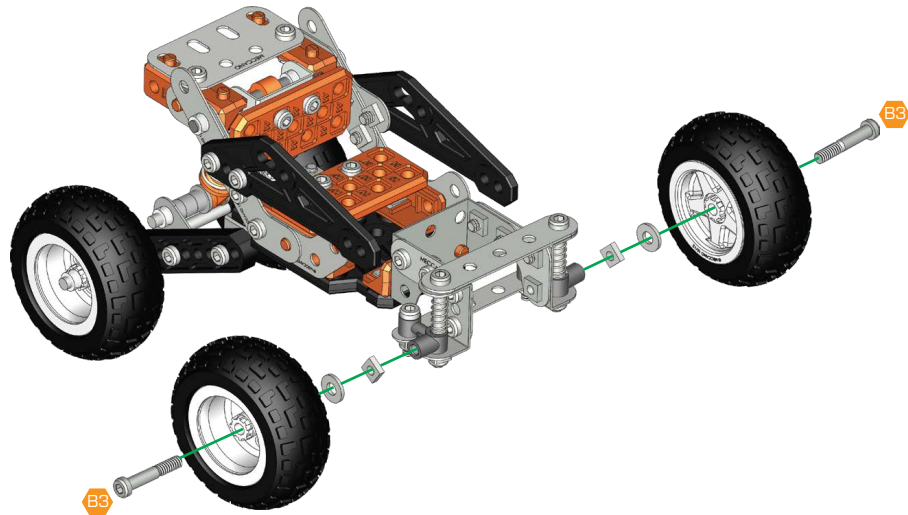
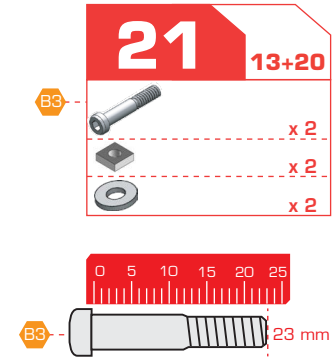
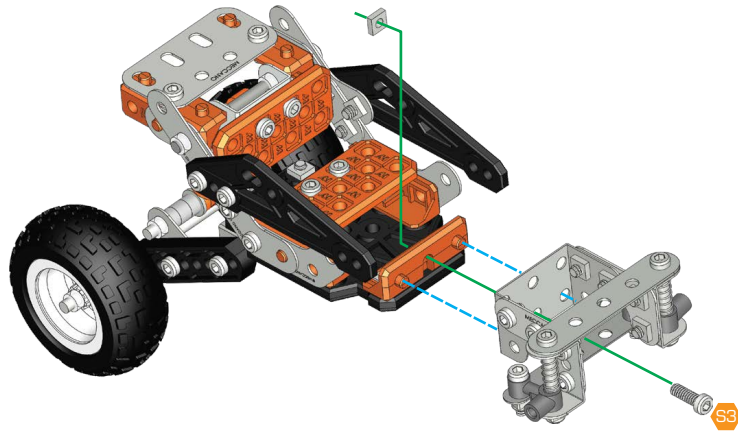
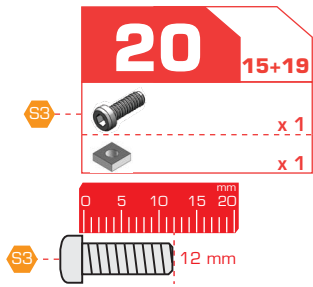
12+13






15




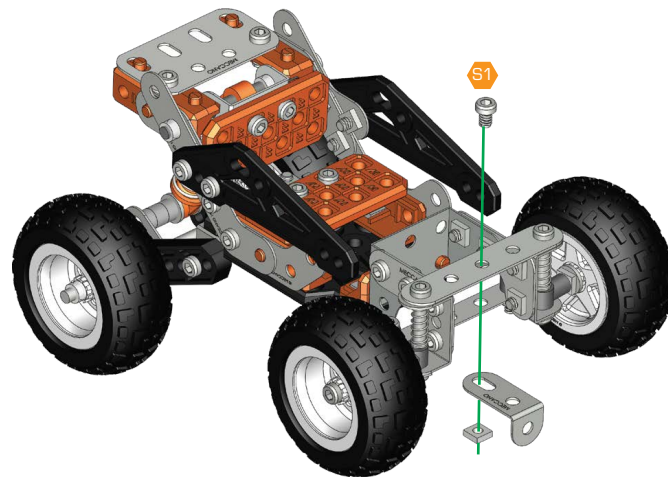








22


-  x 1
-  x 1
-  x 1



 5.8 mm

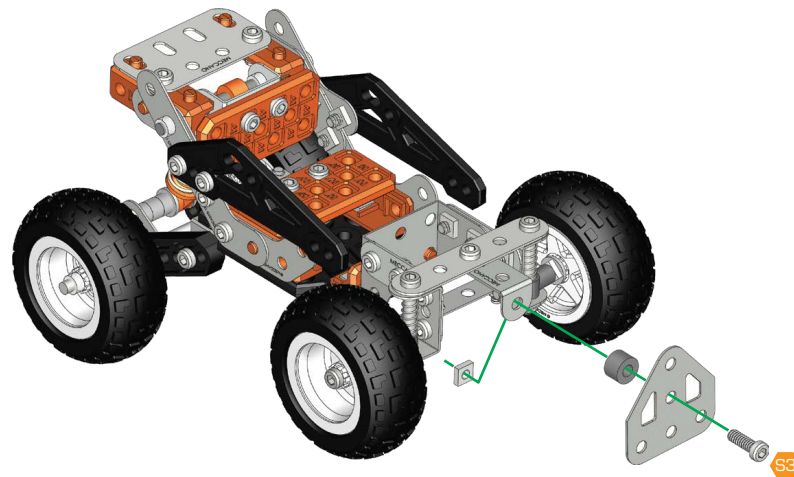


23






-  x 1
-  x 1
-  x 1
-  x 1

 12 mm

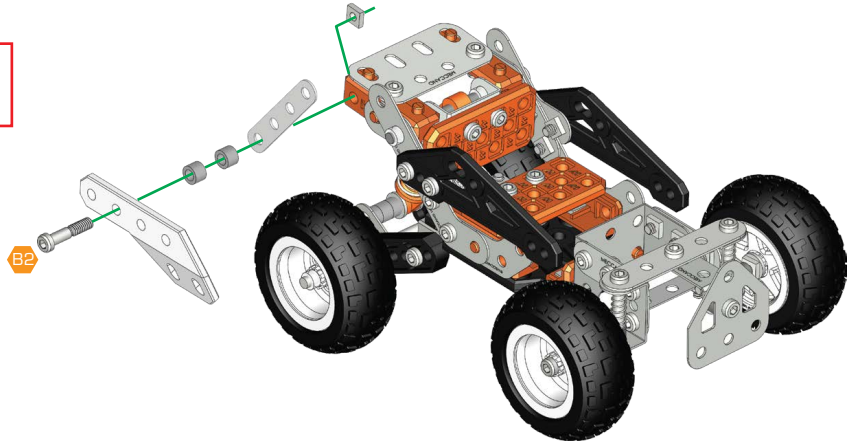
		A238	1:1
---	---	-------------	------------







24

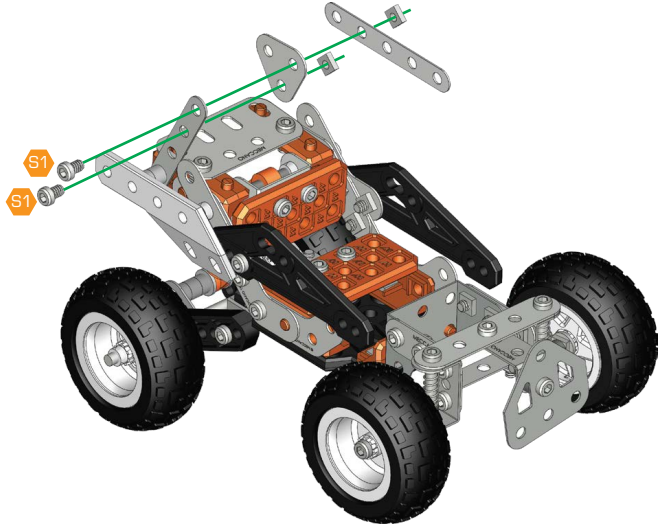
-  x 1
-  x 1
-  x 2
-  x 1
-  x 1

		A338	1:1
---	---	-------------	------------









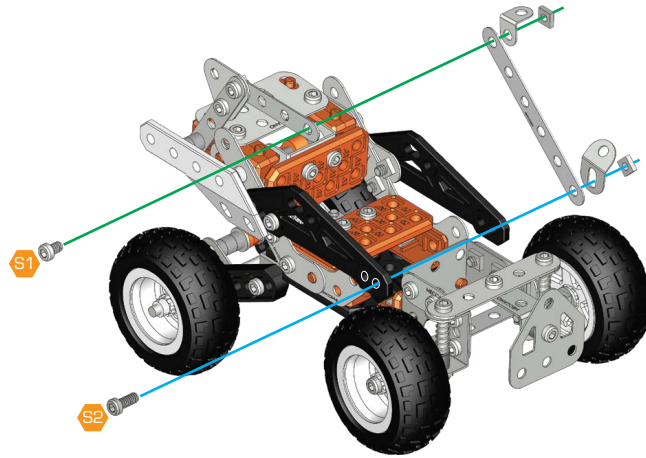
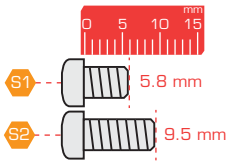
25

-  x 2
-  x 2
-  x 1
-  x 1




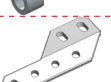



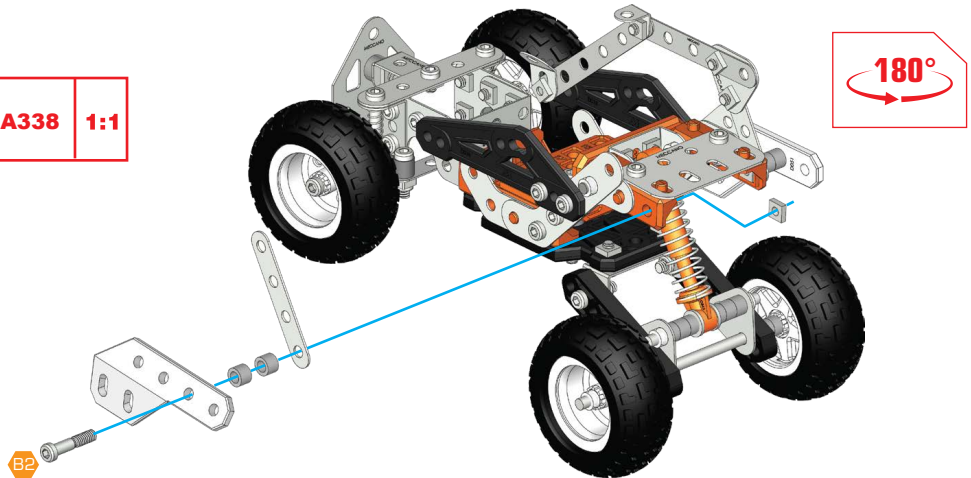
26

- S1  x 1
- S2  x 1
-  x 2
-  x 1
-  x 1
-  x 1








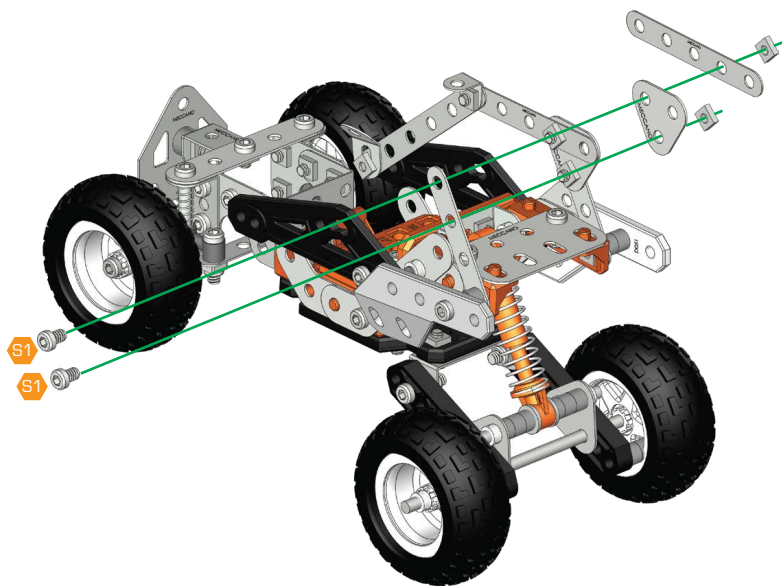
27

- B2  x 1
-  x 1
-  x 2
-  x 1
-  x 1











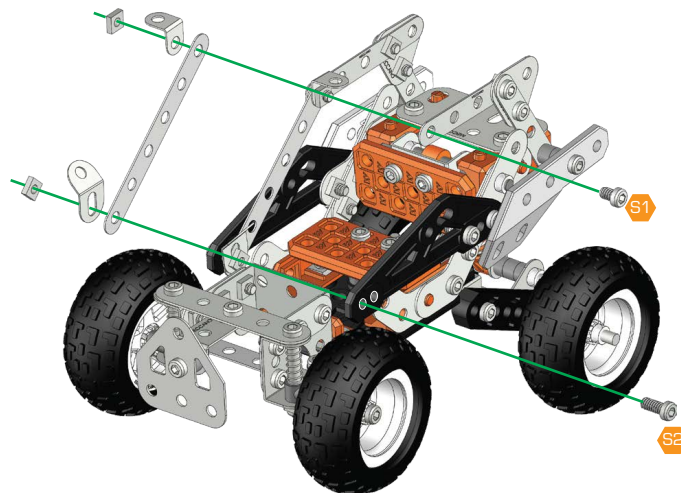
28

- S1  x 2
 -  x 2
 -  x 1
 -  x 1
-  5.8 mm






29

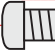
- S1  x 1
 - S2  x 1
 -  x 2
 -  x 1
 -  x 1
 -  x 1
-  5.8 mm
-  9.5 mm
- 90°

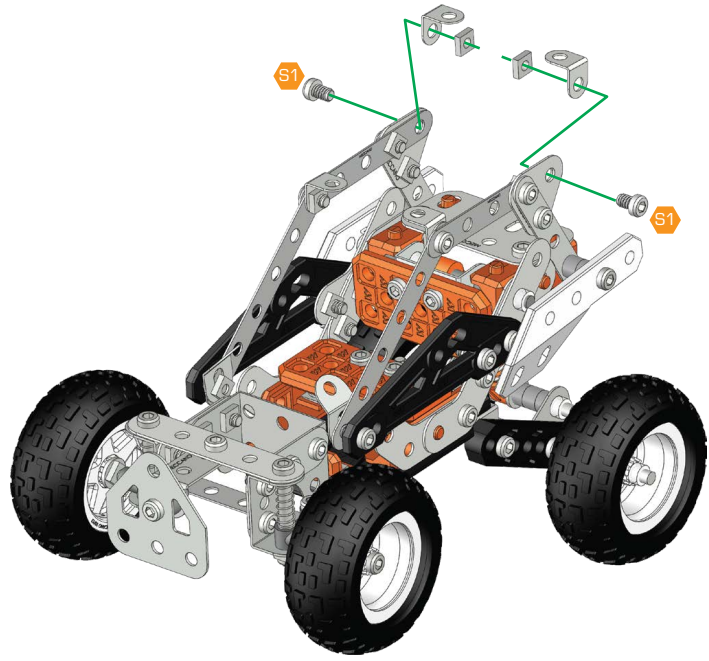


30



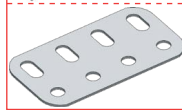
- S1  x 2
-  x 2
-  x 2



- S1  5.8 mm

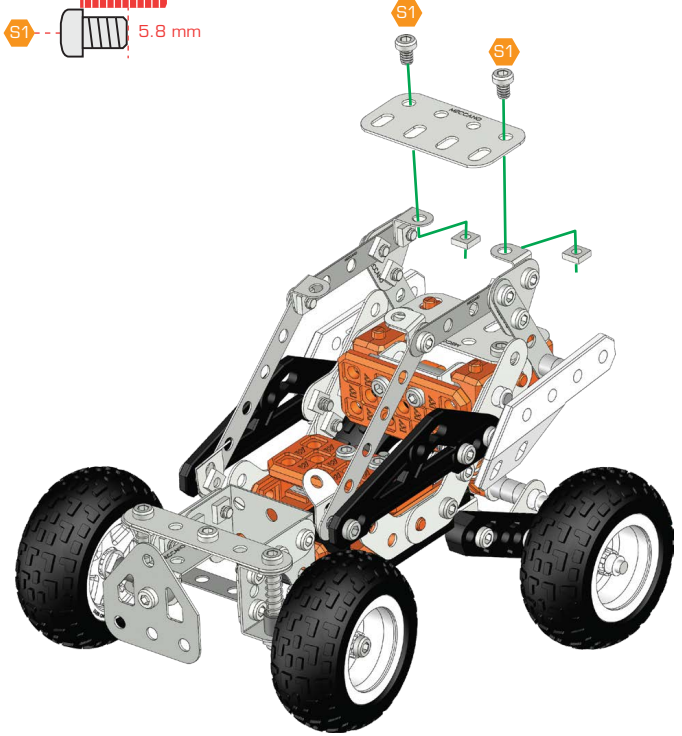


31

- S1  x 2
-  x 2
-  x 1



- S1  5.8 mm



32

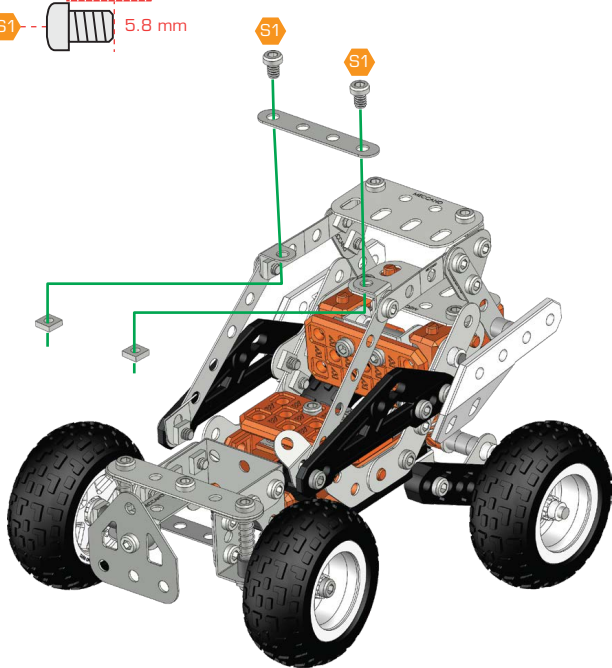
- S1 x 2
- x 2
- x 1



S1 5.8 mm

S1

S1

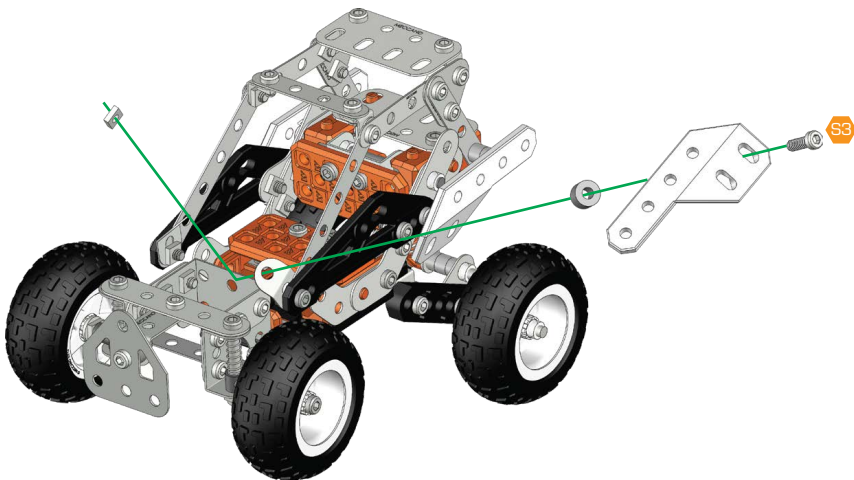


33

- S3 x 1
- x 1
- x 1
- x 1

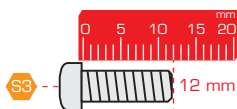
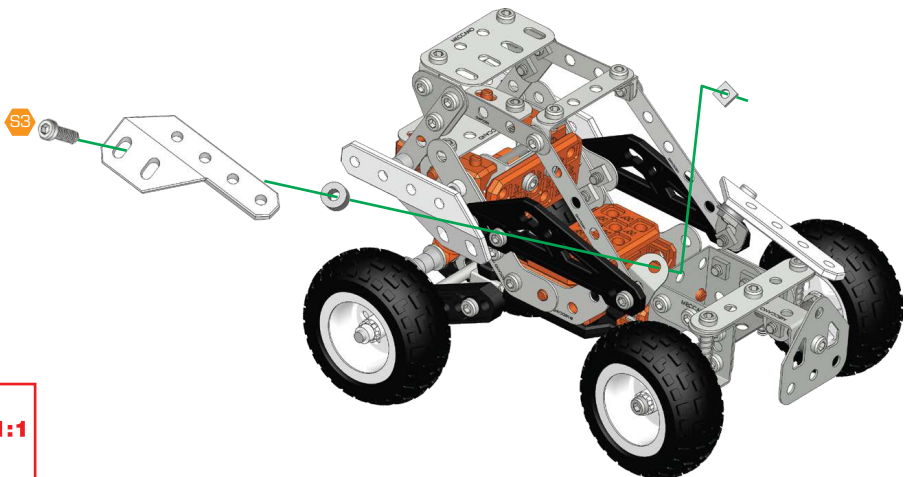
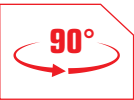


S3 12 mm



34

- S3 x 1
- x 1
- x 1
- x 1



	A238	1:1
--	-------------	------------

35

- S2 x 2
- x 2
- x 1

