
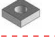
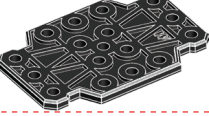
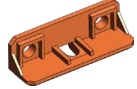

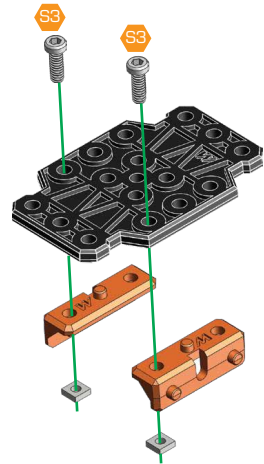






### 1


	x 2
	x 2
	x 1
	x 2

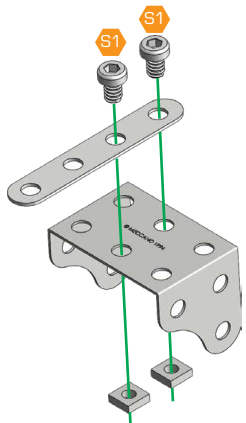
 12 mm




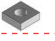

### 2


	x 2
	x 2
	x 1
	x 1

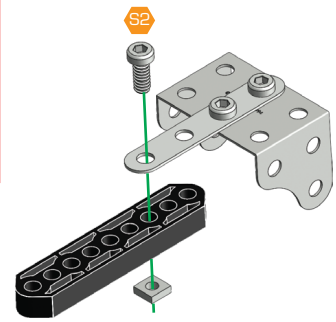
 5.8 mm



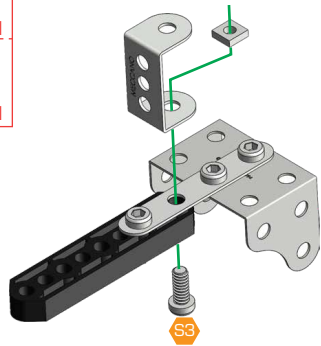
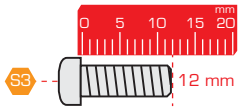
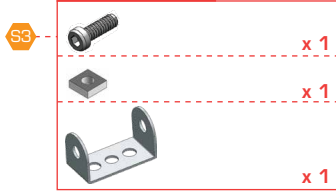
### 3

	x 1
	x 1
	x 1

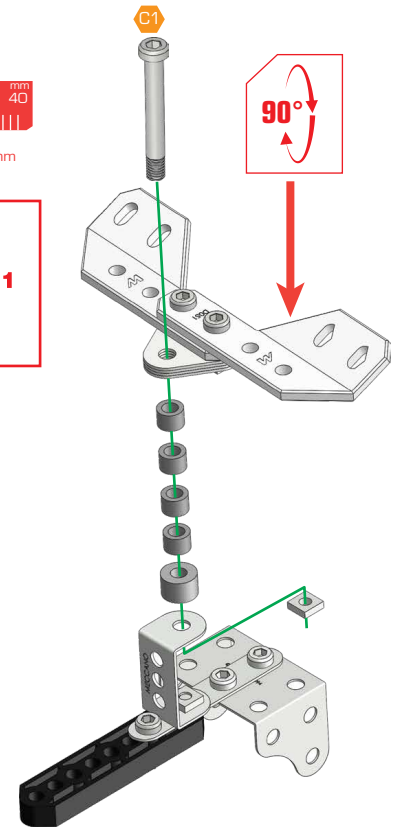
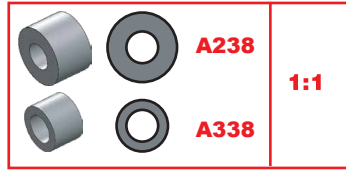
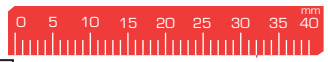
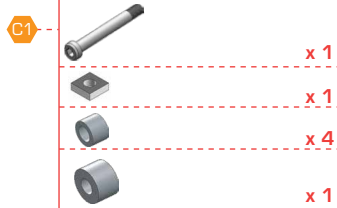
 9.5 mm



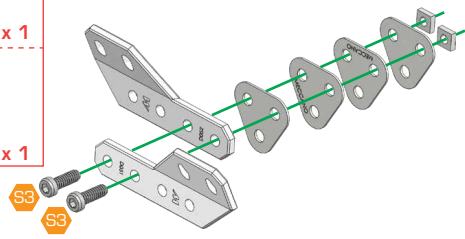
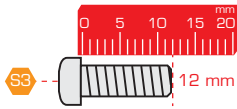
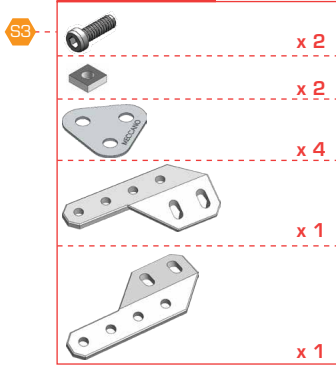
**4**

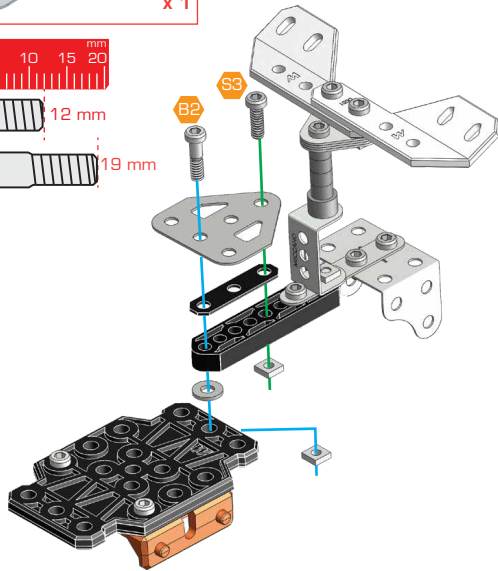
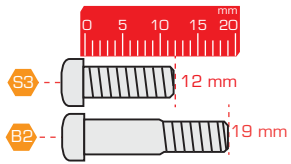
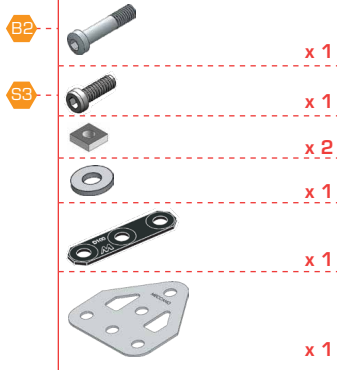
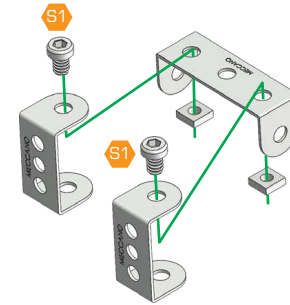
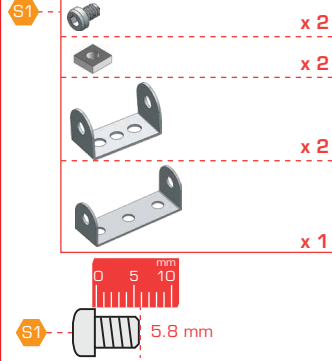
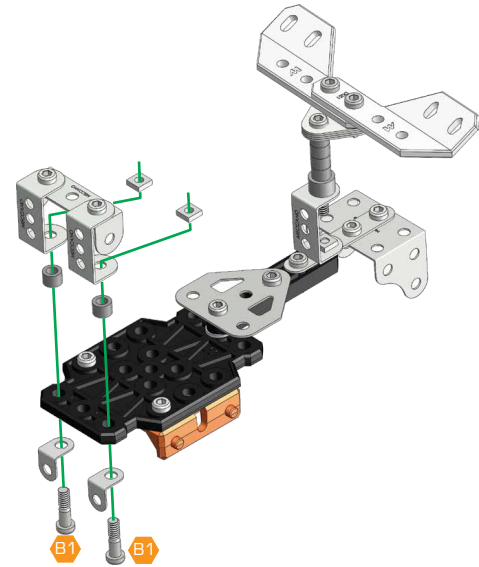
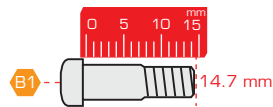
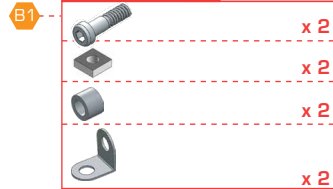


**6** 4+5



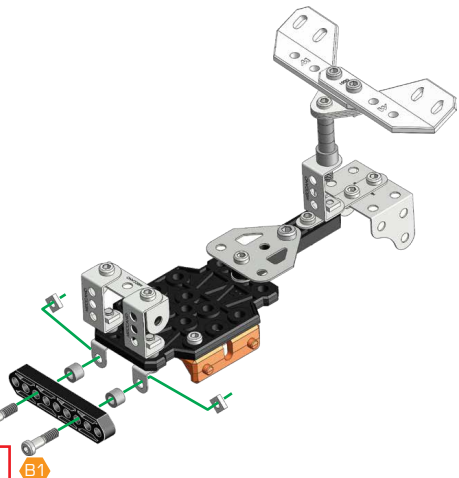
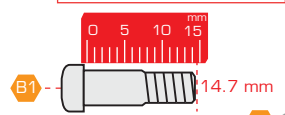
**5**



**7****1+6****8****9****7+8**

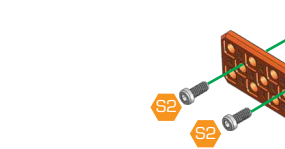
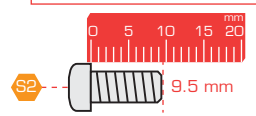
# 10

- B1 x 2
- x 2
- x 2
- x 1



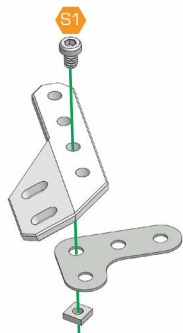
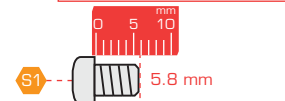
# 11

- S2 x 2
- x 2
- x 1



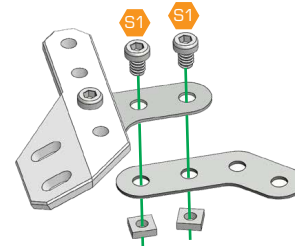
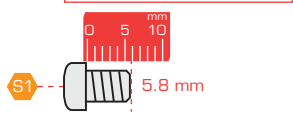
# 12

- S1 x 1
- x 1
- x 1
- x 1



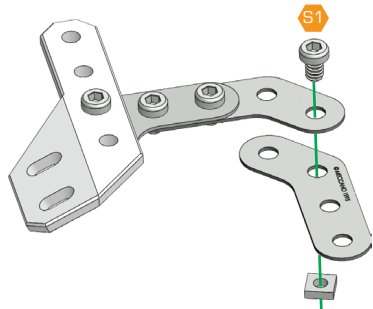
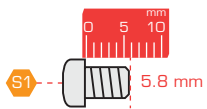
# 13

- S1 x 2
- x 2
- x 1



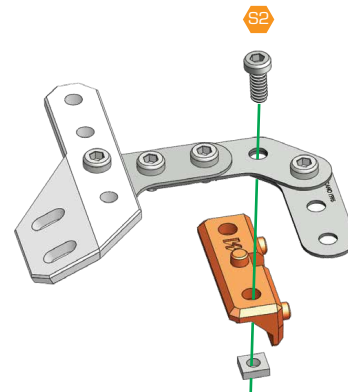
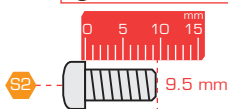
# 14

- S1 x 1
- x 1
- x 1



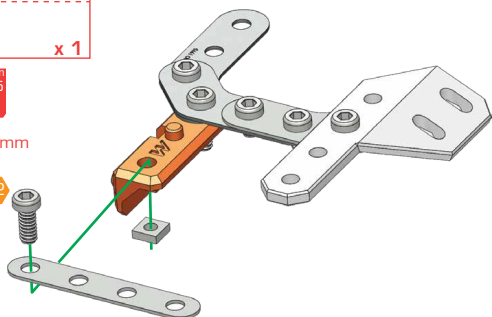
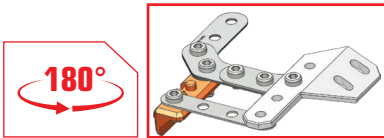
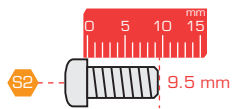
# 15

- S2 x 1
- x 1
- x 1



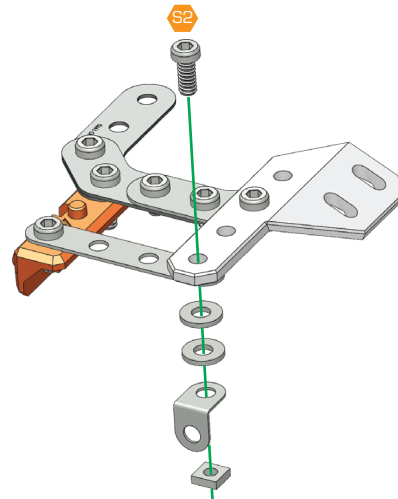
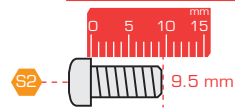
# 16

- S2 x 1
- x 1
- x 1



# 17

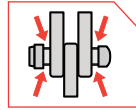
- S2 x 1
- x 1
- x 2
- x 1



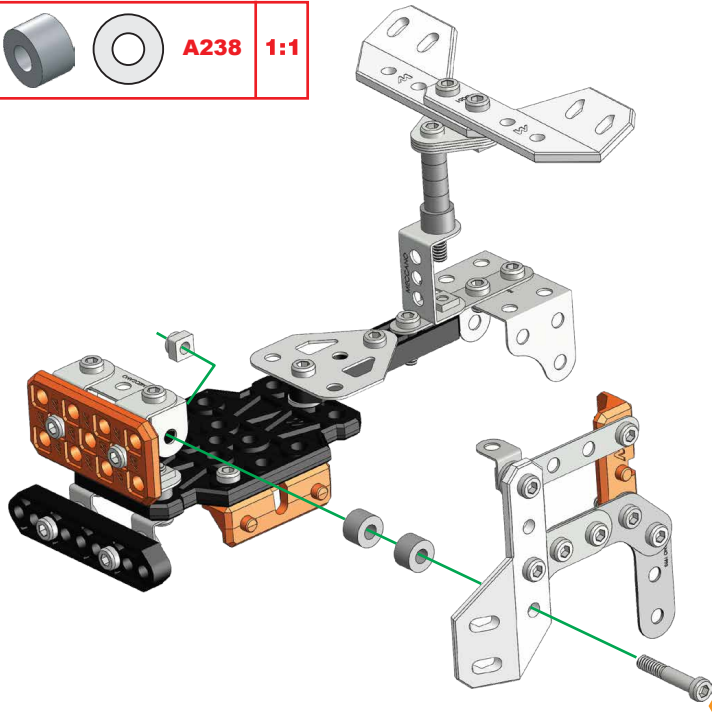
# 18

11+17

- B3 x 1
- x 1
- x 2



- B3 x 23 mm

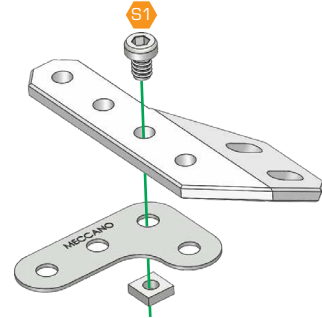


# 19

- S1 x 1
- x 1
- x 1
- x 1



- S1 x 5.8 mm

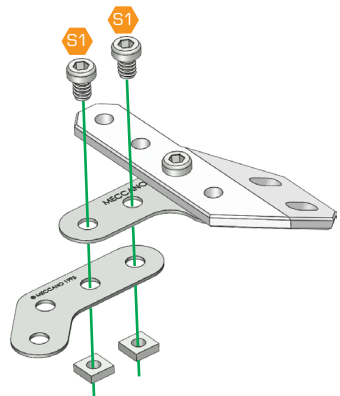


# 20

- S1 x 2
- x 2
- x 1

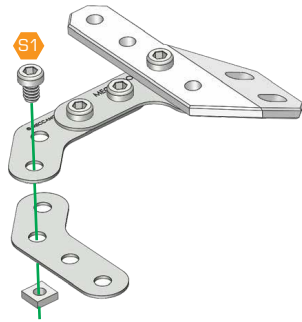
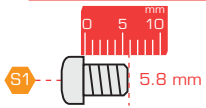


- S1 x 5.8 mm



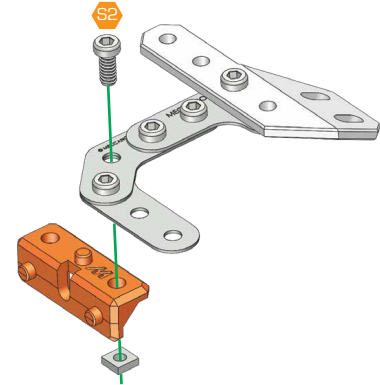
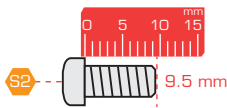
# 21

- S1 x 1
- x 1
- x 1



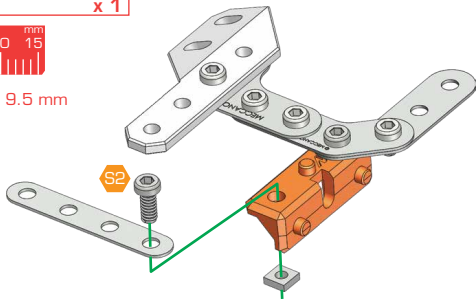
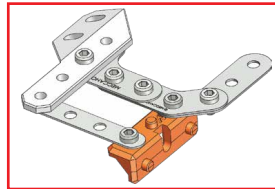
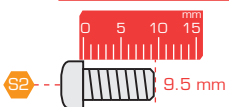
# 22

- S2 x 1
- x 1
- x 1



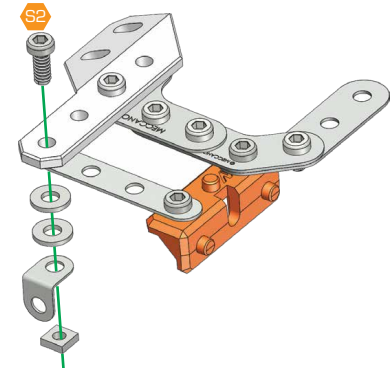
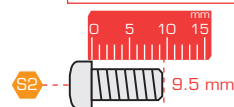
# 23

- S2 x 1
- x 1
- x 1



# 24

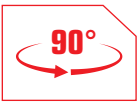
- S2 x 1
- x 1
- x 2
- x 1



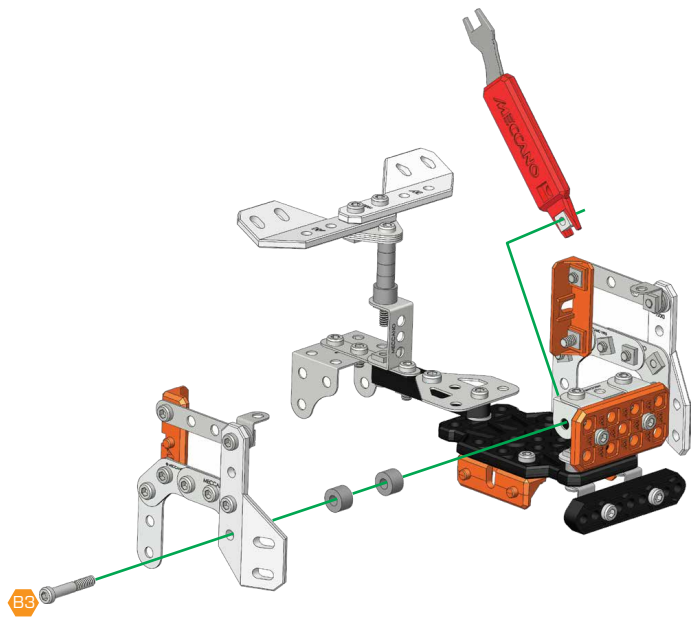
**25** 18+24

B3 x 1  
x 1  
x 2

B3 23 mm



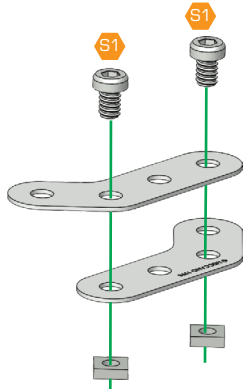
A238 1:1



**26**

S1 x 2  
x 2  
x 2




S1 5.8 mm





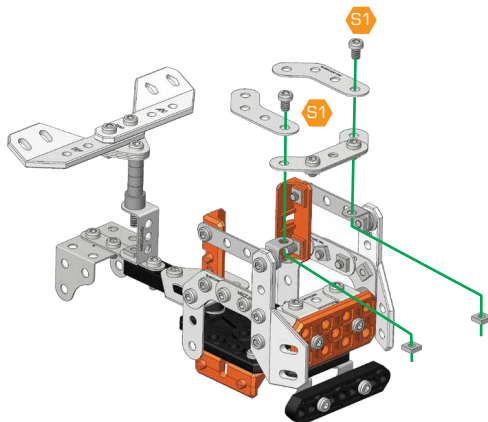
# 27

25+26




- S1  x 2
-  x 2
-  x 2



S1  5.8 mm

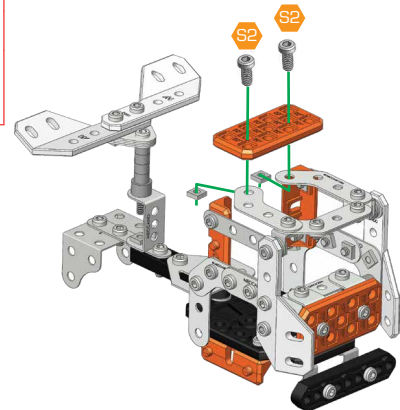


# 28





- S2  x 2
-  x 2
-  x 1



S2  9.5 mm

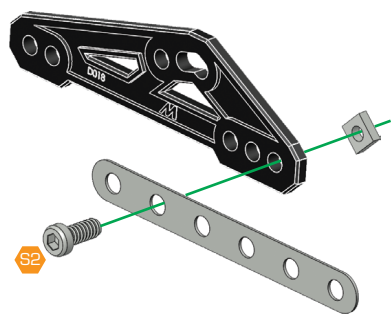


# 29




- S2  x 1
-  x 1
-  x 1
-  x 1

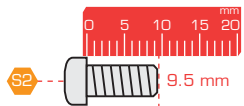


S2  9.5 mm

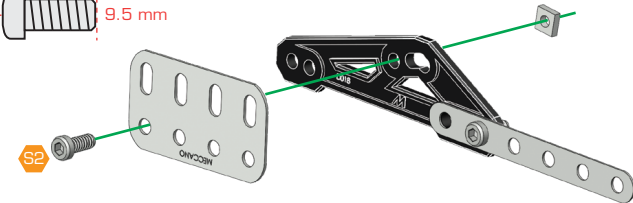


# 30


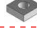


- S2  x 1
-  x 1
-  x 1

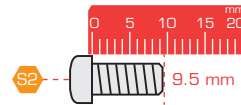


S2

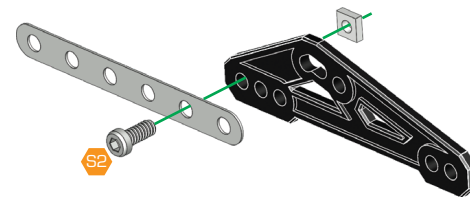


# 31




- S2  x 1
-  x 1
-  x 1
-  x 1

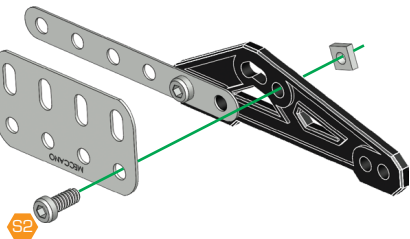
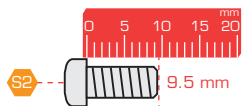


S2



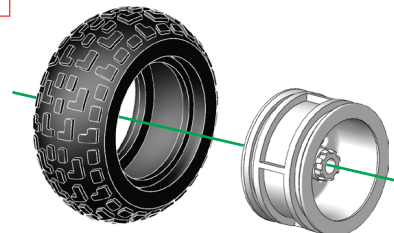
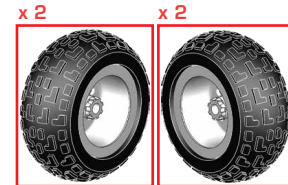
# 32

- S2  x 1
-  x 1
-  x 1




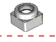


# 33

-  x 4
-  x 4

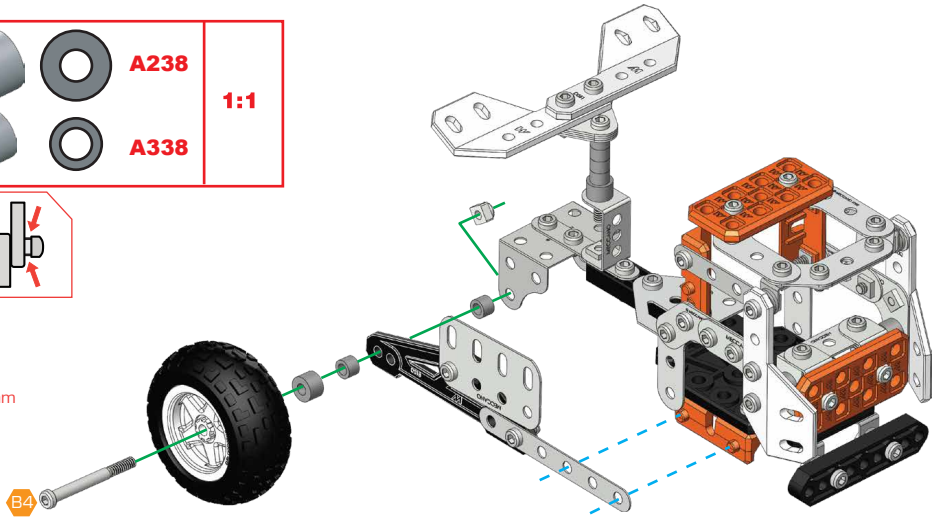
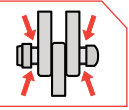


# 34

28+30+33





-  x 1
-  x 1
-  x 2
-  x 1

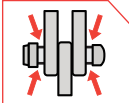
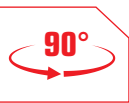
		<b>A238</b>	<b>1:1</b>
		<b>A338</b>	

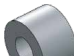





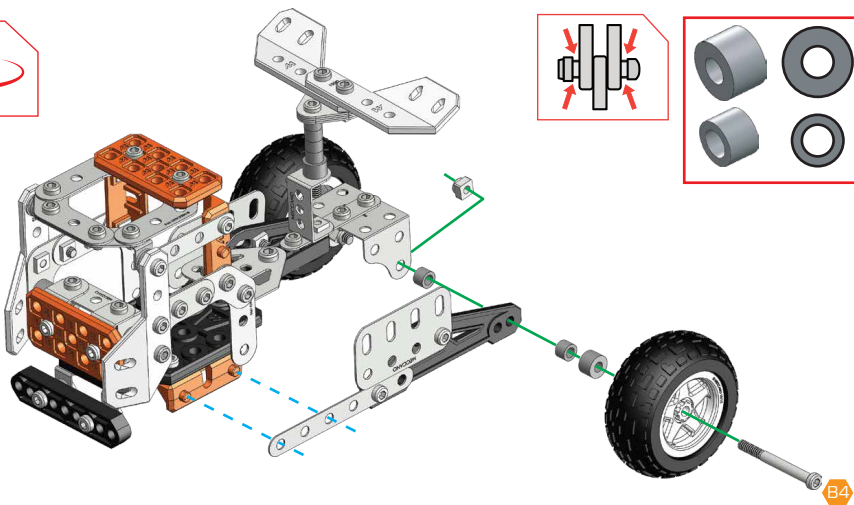
# 35

32+33+34

-  x 1
-  x 1
-  x 2
-  x 1



		<b>A238</b>	<b>1:1</b>
		<b>A338</b>	

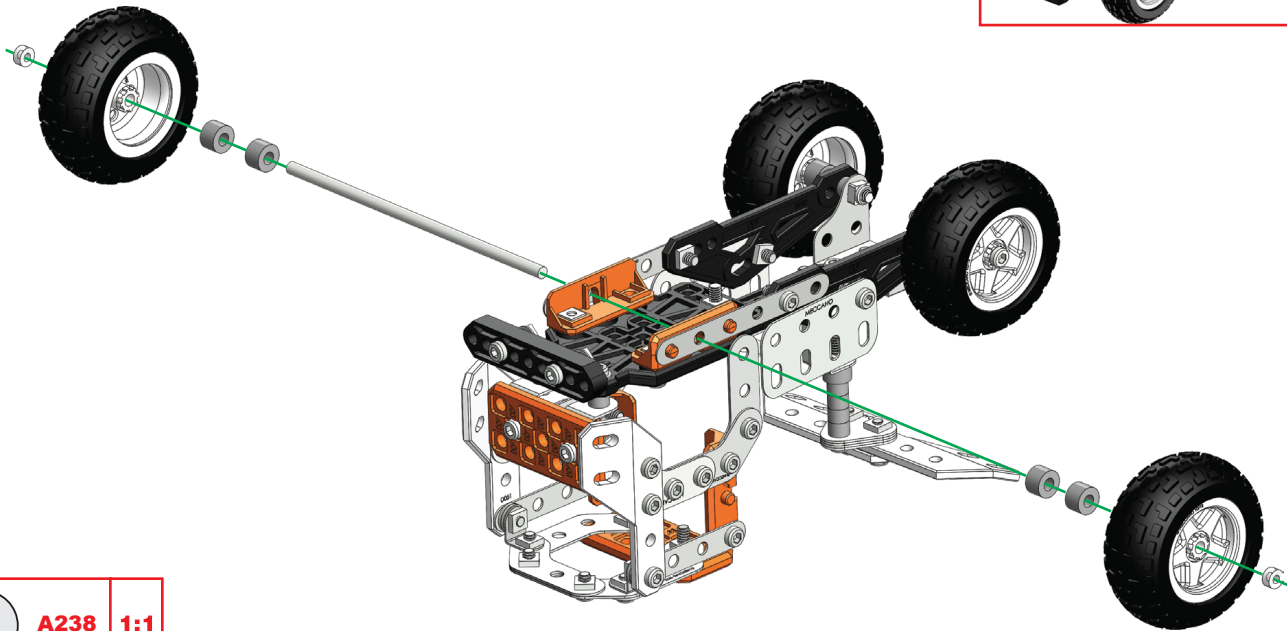
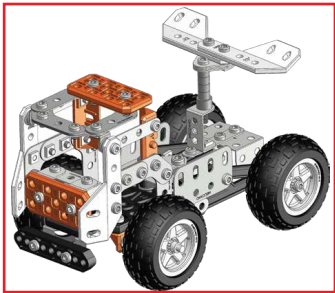
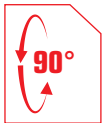


**36** 33+35

x 1

x 2

x 4



**A238** 1:1

