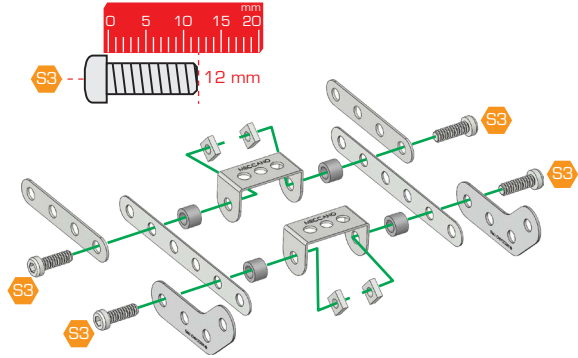




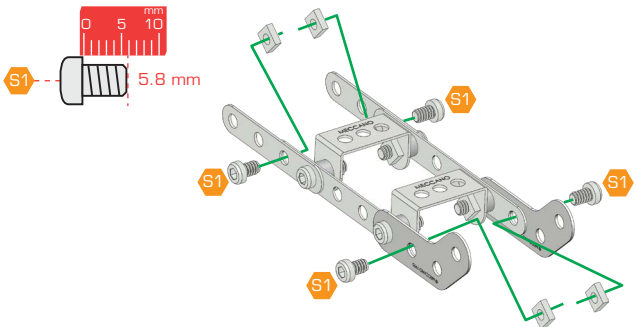
1

| | | |
|----|--|-----|
| S3 | | x 4 |
| | | x 4 |
| | | x 4 |
| | | x 2 |
| | | x 2 |
| | | x 2 |



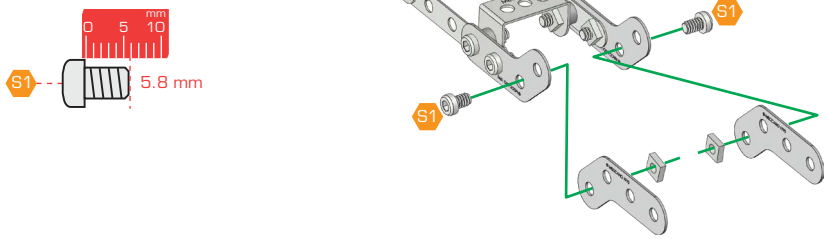
2

| | | |
|----|--|-----|
| S1 | | x 4 |
| | | x 4 |






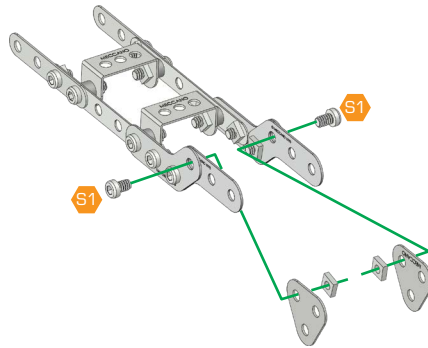
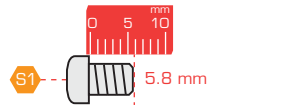
3

| | | |
|----|--|-----|
| S1 | | x 2 |
| | | x 2 |
| | | x 2 |







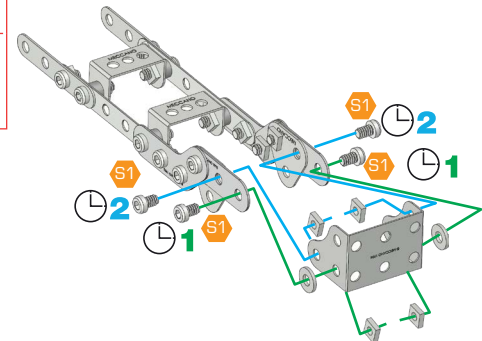
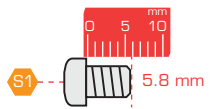
4

-  x 2
-  x 2
-  x 2





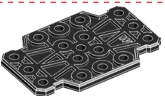


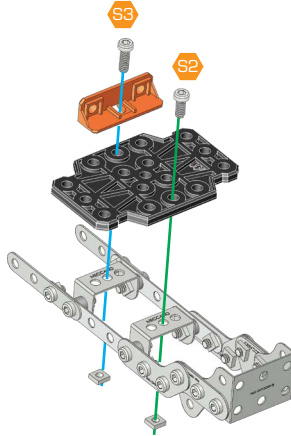
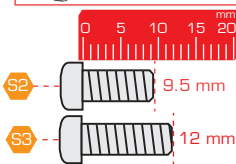
5

-  x 4
-  x 4
-  x 2
-  x 1






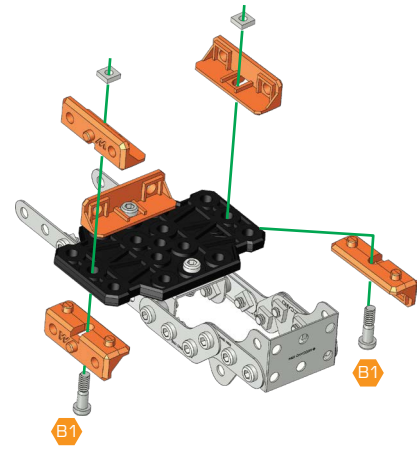
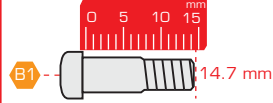
6

-  x 1
-  x 1
-  x 2
-  x 1
-  x 1






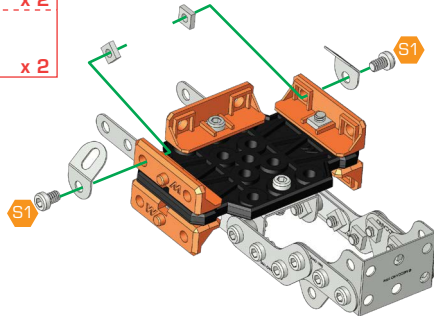
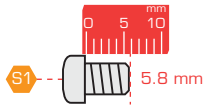
7

-  x 2
-  x 2
-  x 4



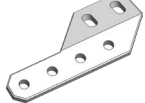


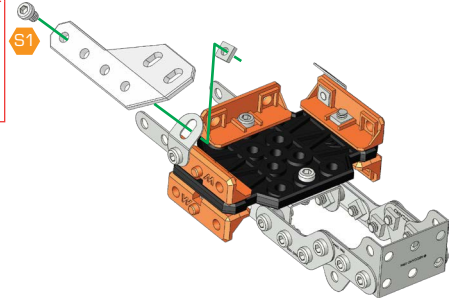
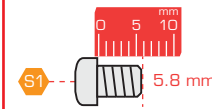
8

- S1  x 2
-  x 2
-  x 2






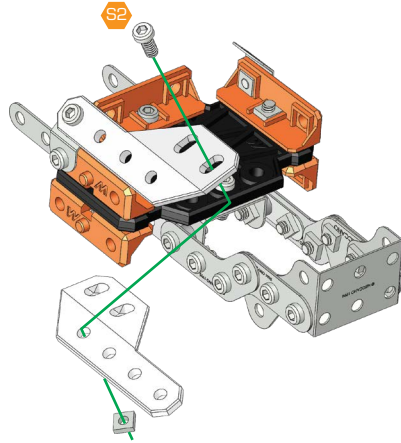
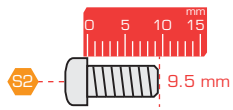
9

- S1  x 1
-  x 1
-  x 1






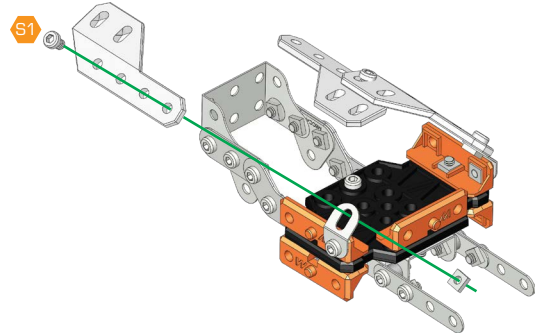
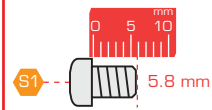
10

- S2  x 1
-  x 1
-  x 1



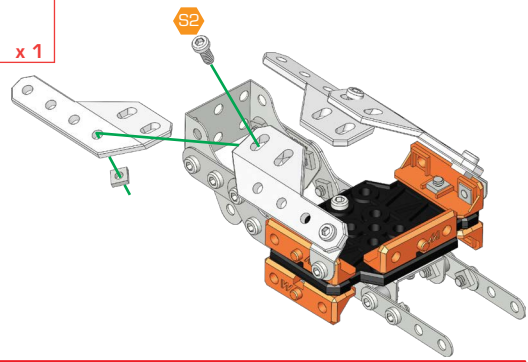
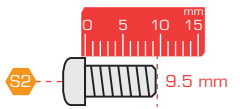
11

- S1  x 1
-  x 1
-  x 1



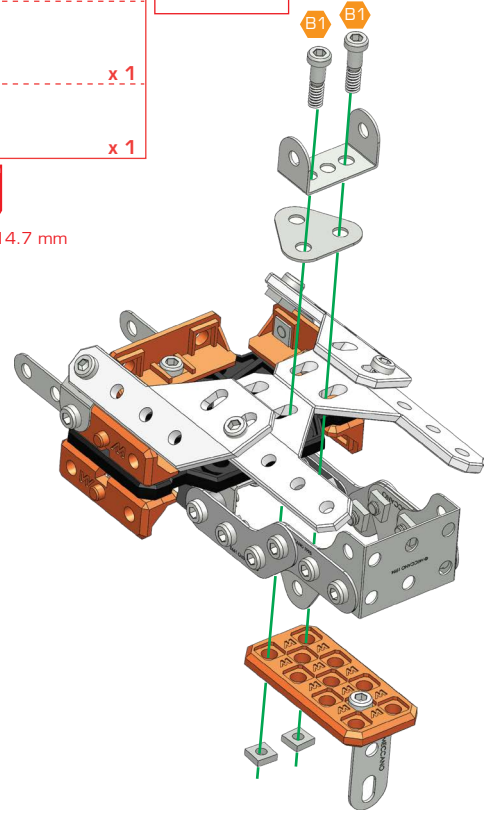
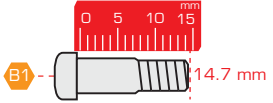
12

- S2 x 1
- x 1
- x 1



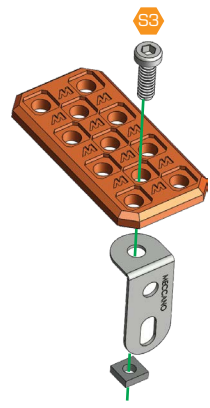
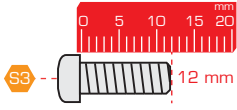
14 12+13

- B1 x 2
- x 2
- x 1
- x 1

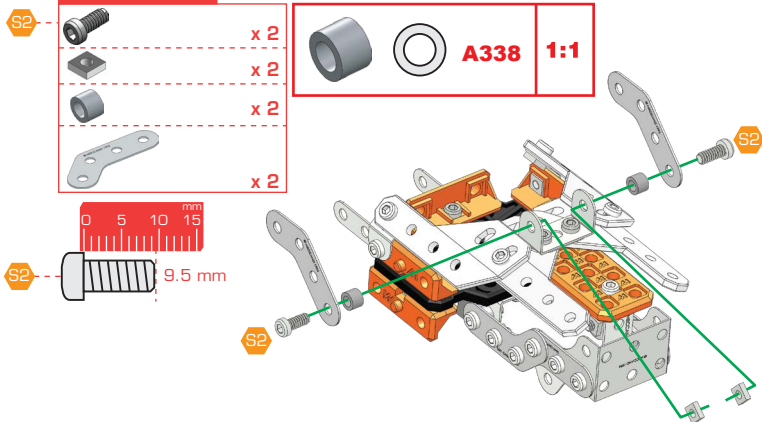


13

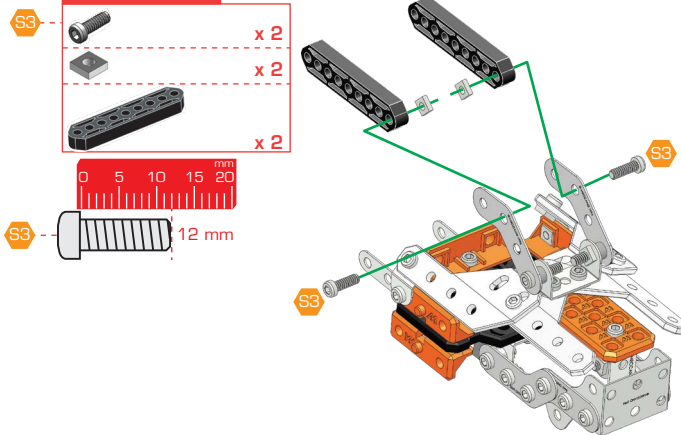
- S3 x 1
- x 1
- x 1



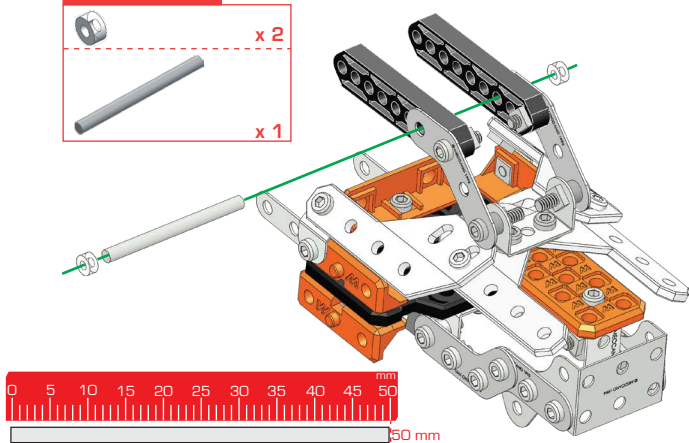
15



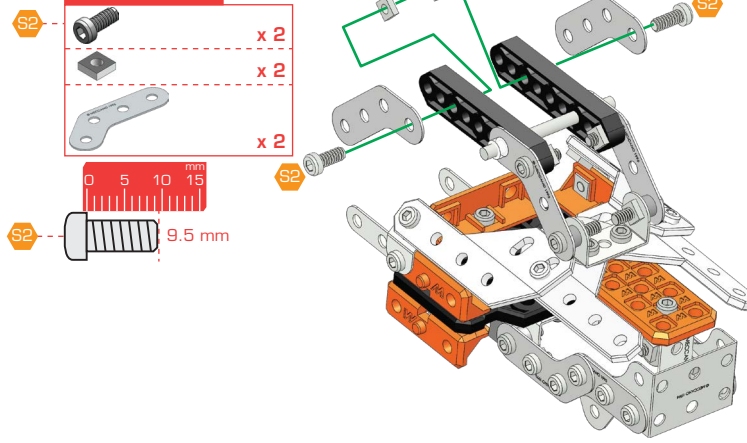
16



17

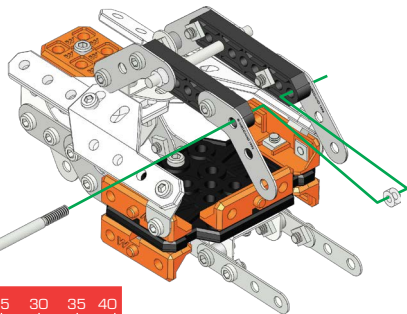


18



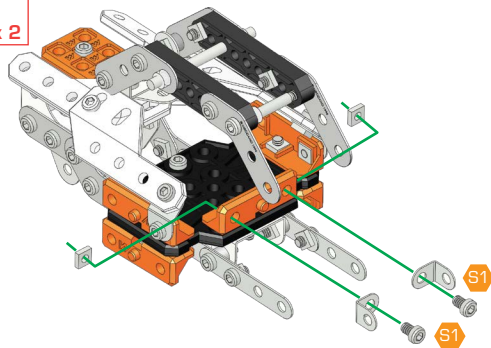
19

- B4 x 1
- x 1



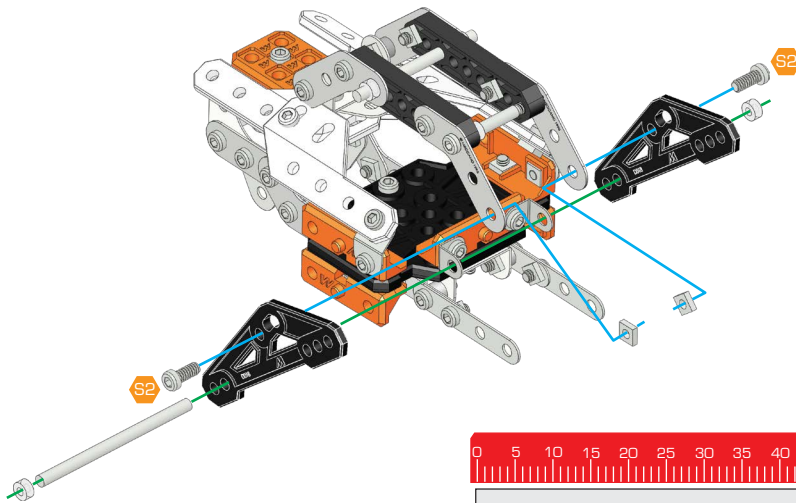
20

- S1 x 2
- x 2
- x 2



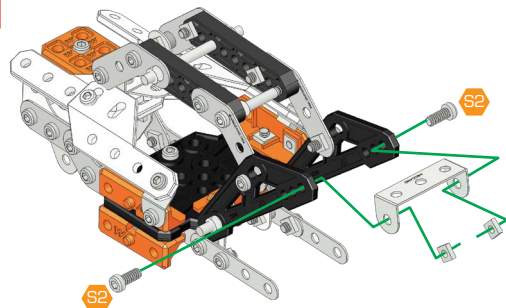
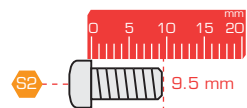
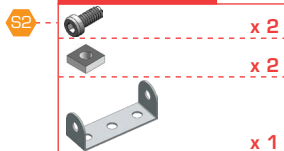
21

- S2 x 2
- x 2
- x 2
- x 2
- x 1

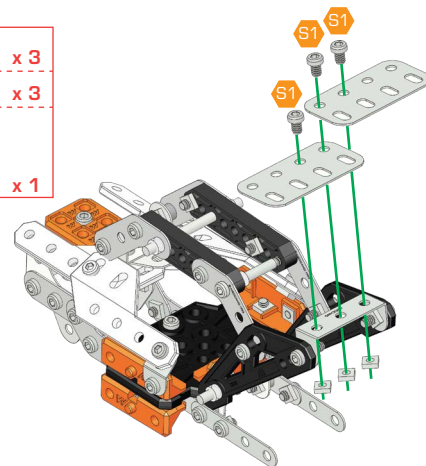
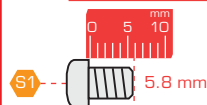
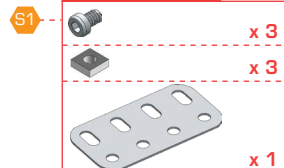


63.5 mm

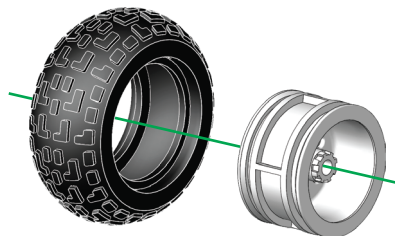
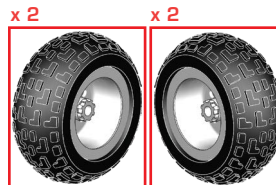
22



23



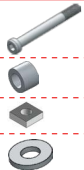
24



25

23+24

B4



x 1

x 3

x 2

x 1



A338

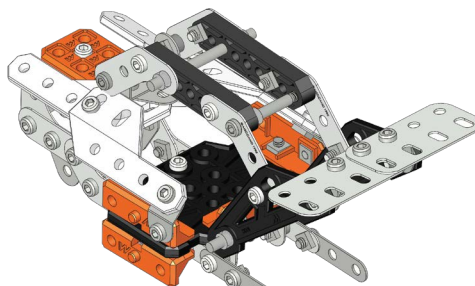
1:1



B4



38.1 mm



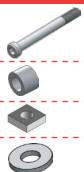
B4

26

24+25

180°

B4



x 1

x 3

x 2

x 1



A338

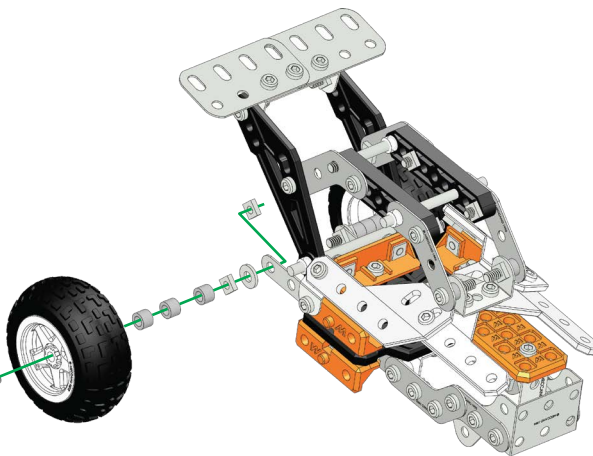
1:1



B4







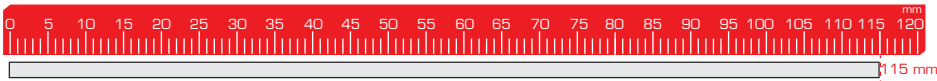
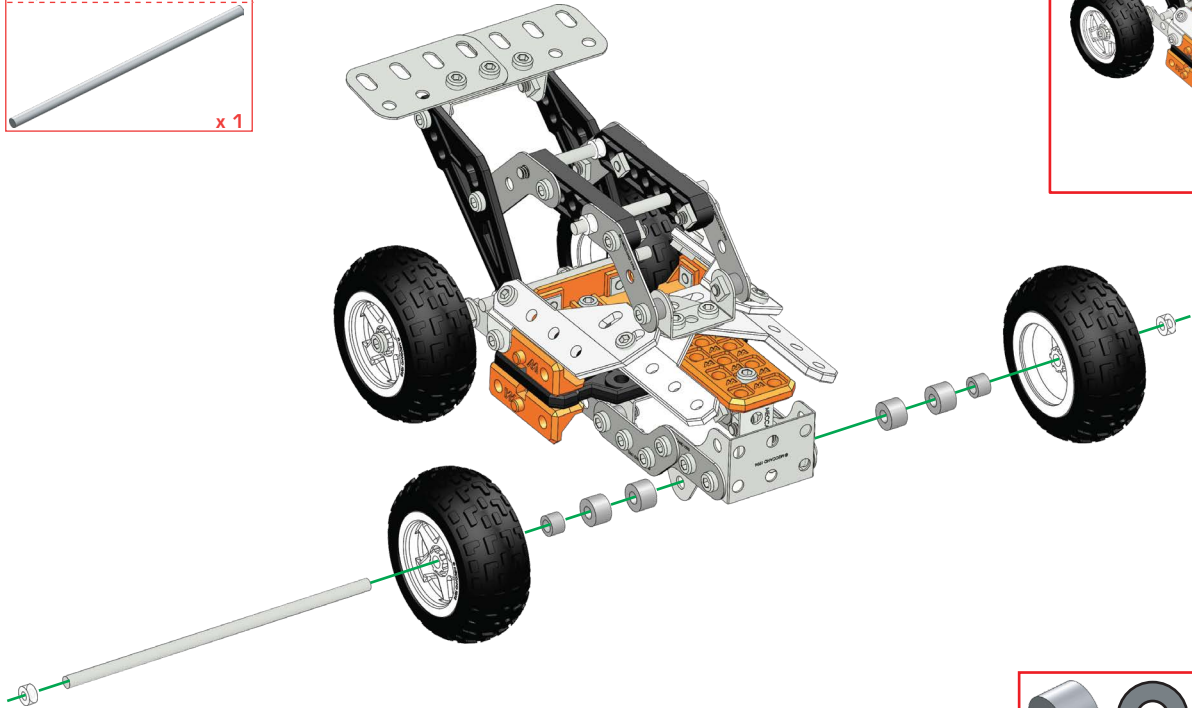
38.1 mm







B4

27 24+26

-  x 2
-  x 4
-  x 2
-  x 1



| | | | |
|---|---|-------------|------------|
|  |  | A238 | 1:1 |
|  |  | A338 | |