
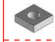


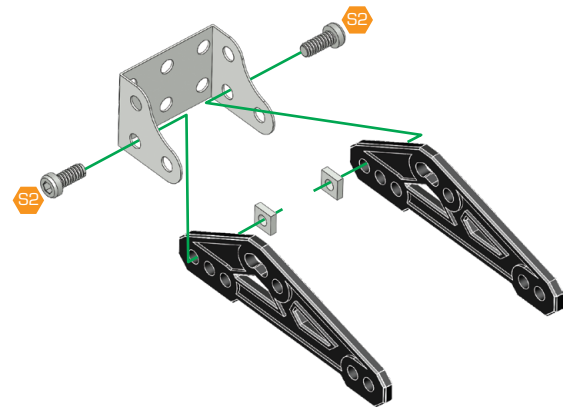


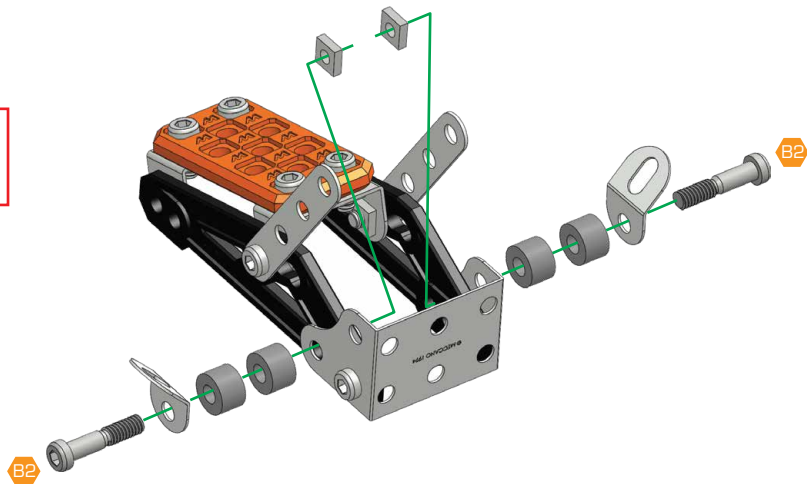
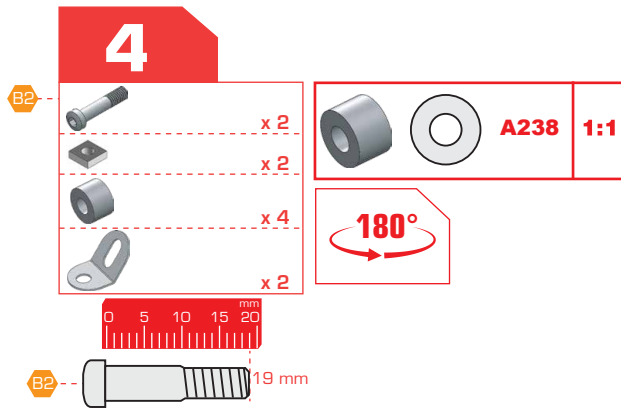
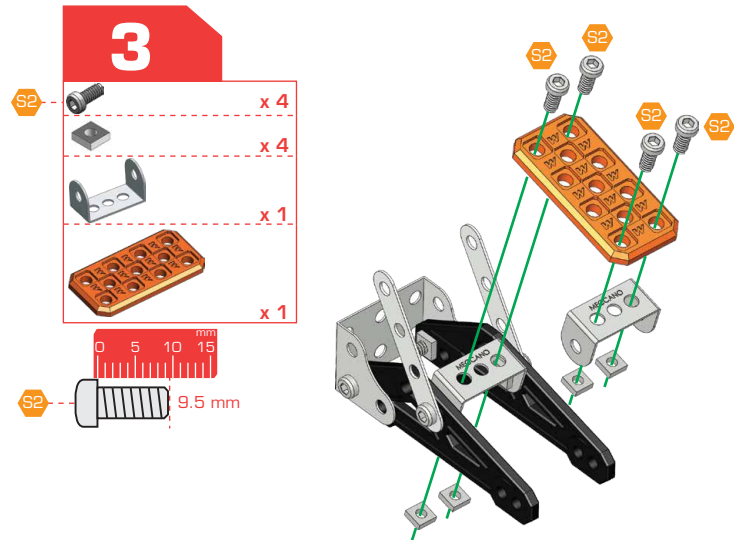
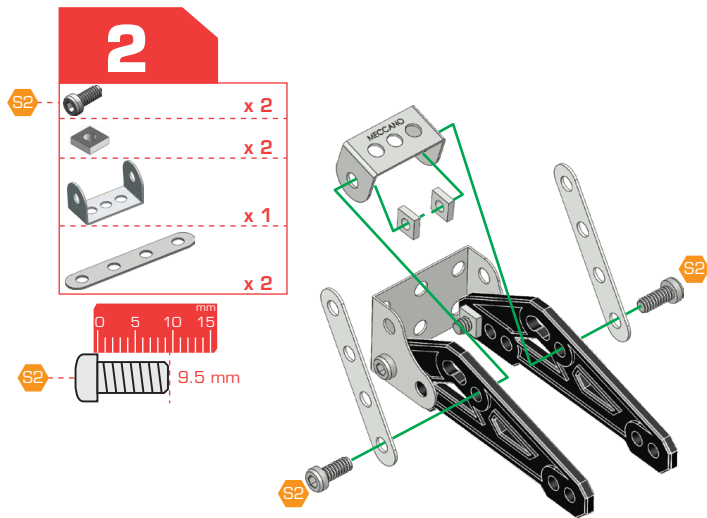
# 1

-  x 2
-  x 2
-  x 1
-  x 2







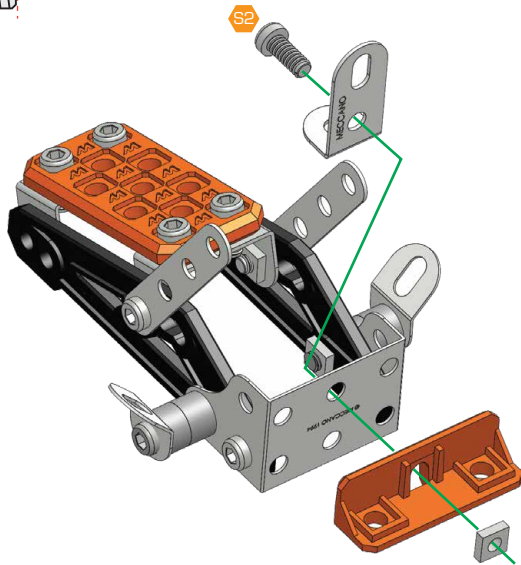
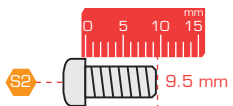
 9.5 mm




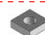
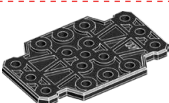


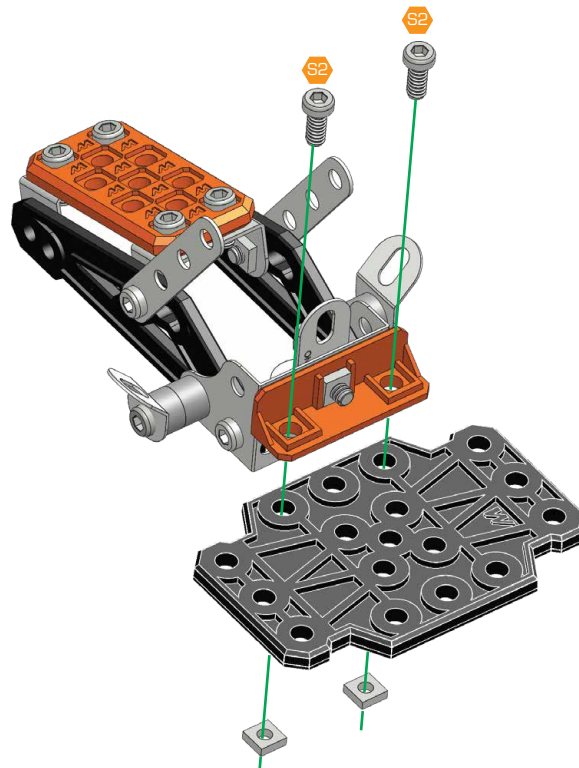
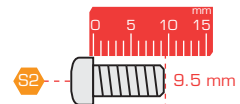
5

-  x 1
-  x 1
-  x 1
-  x 1


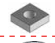



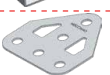


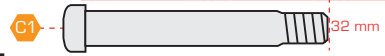
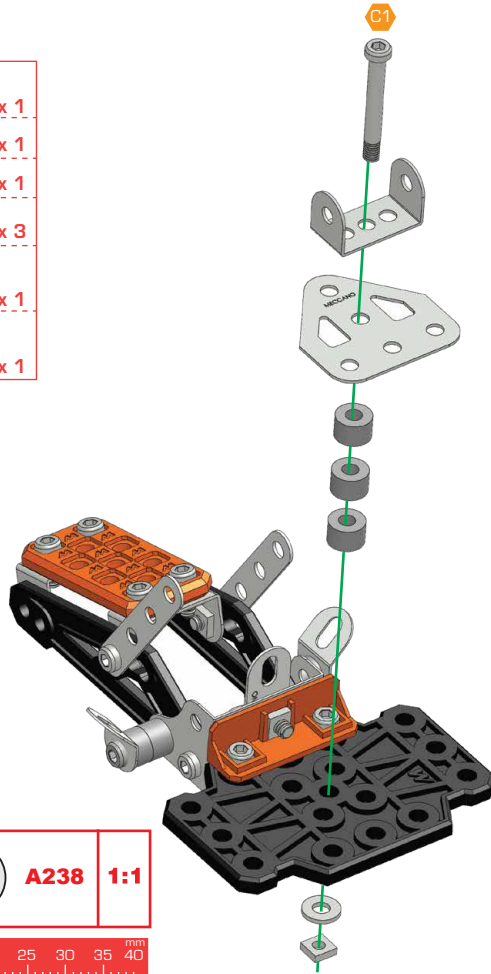
6

-  x 2
-  x 2
-  x 1




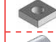


# 7

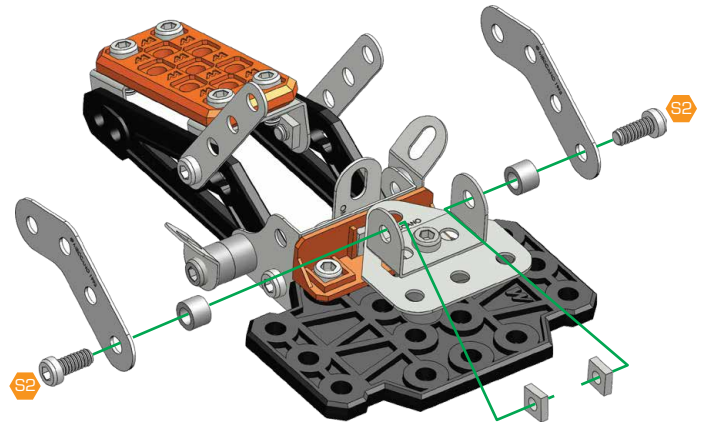
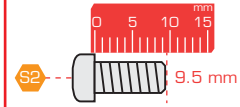
-  x 1
-  x 1
-  x 1
-  x 3
-  x 1
-  x 1



4

# 8

-  x 2
-  x 2
-  x 2
-  x 2



9

S1



x 6



x 6



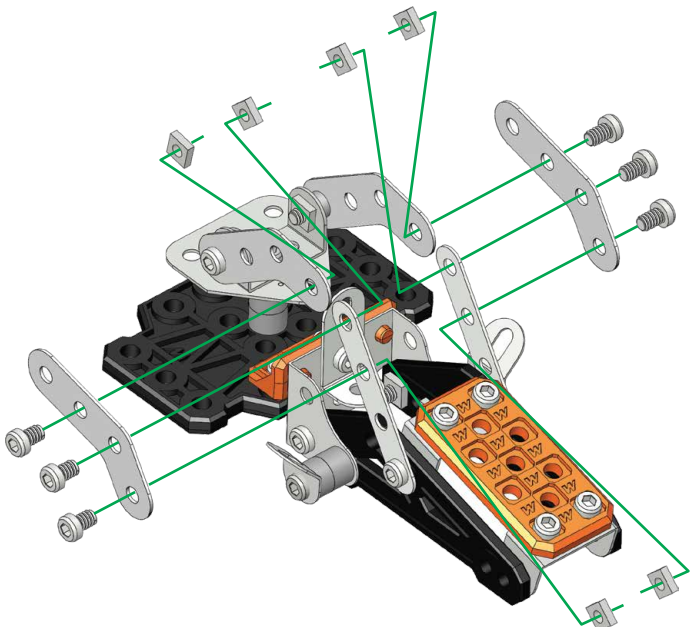
x 2



S1



5.8 mm



10

S1



x 2



x 2



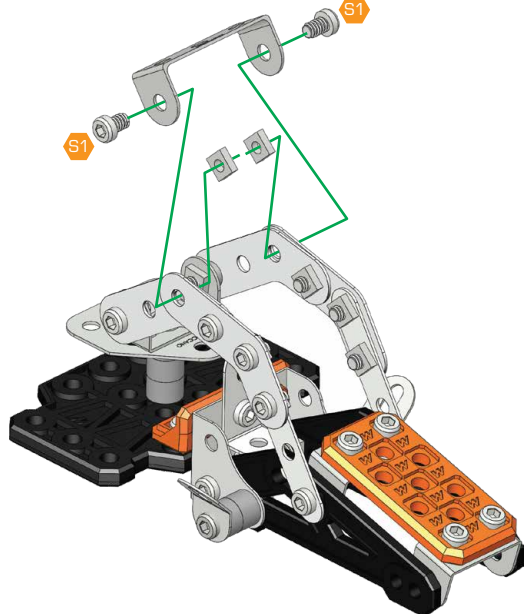
x 1






S1

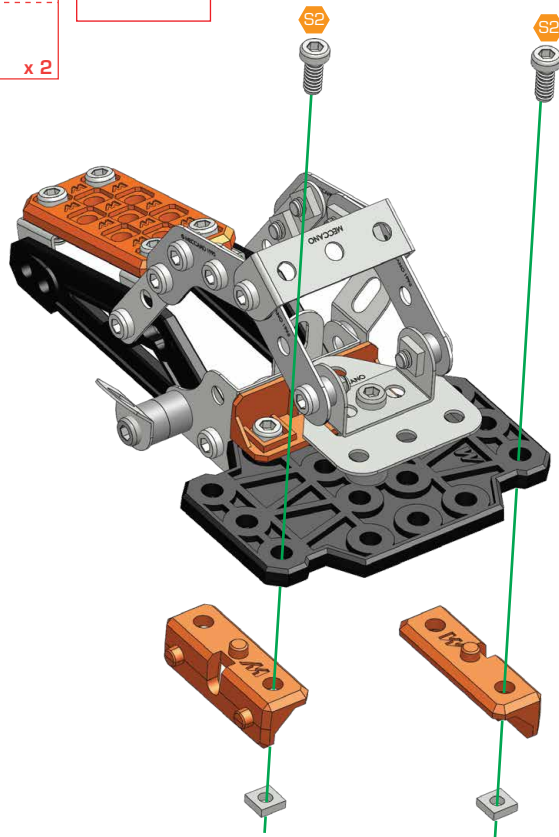
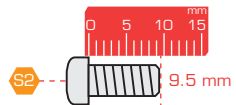


5.8 mm







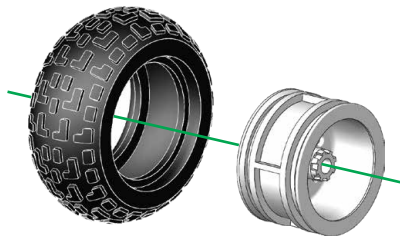
# 11

-  x 2
-  x 2
-  x 2






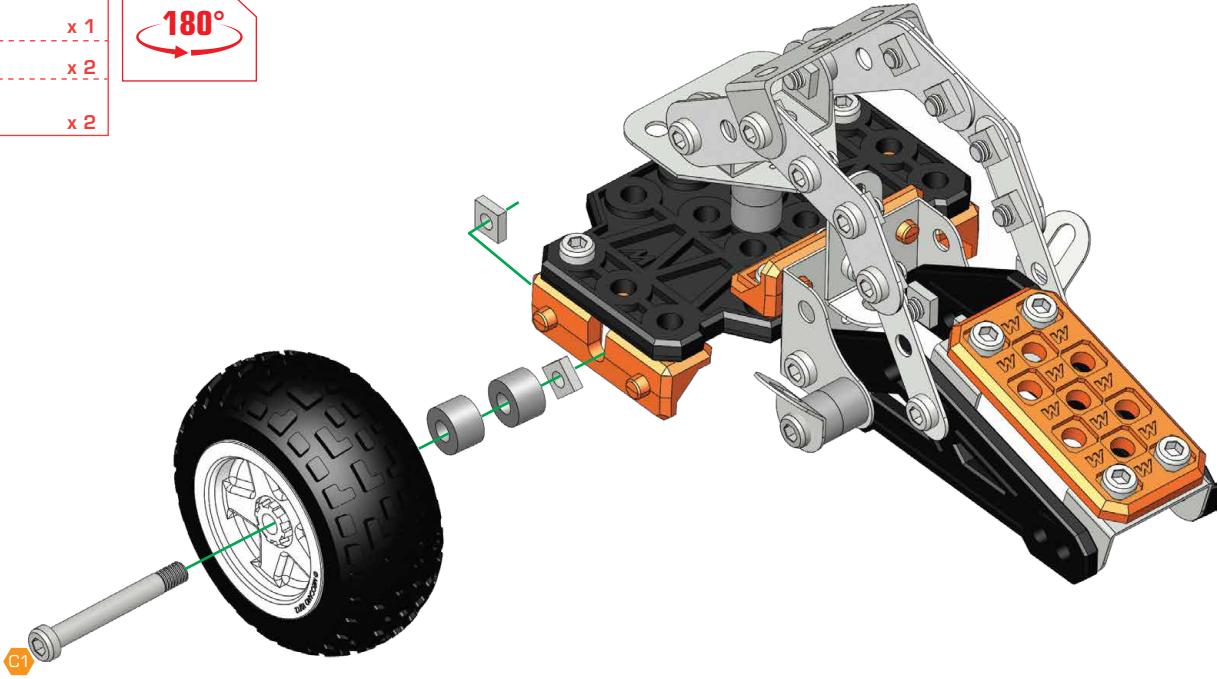
# 12

-  x 3
-  x 3
-  x 1
-  x 2

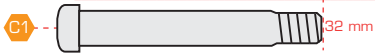


**13** 11+12

	x 1
	x 2
	x 2



		<b>A238</b>	<b>1:1</b>
---	---	-------------	------------





14

11+13

C1



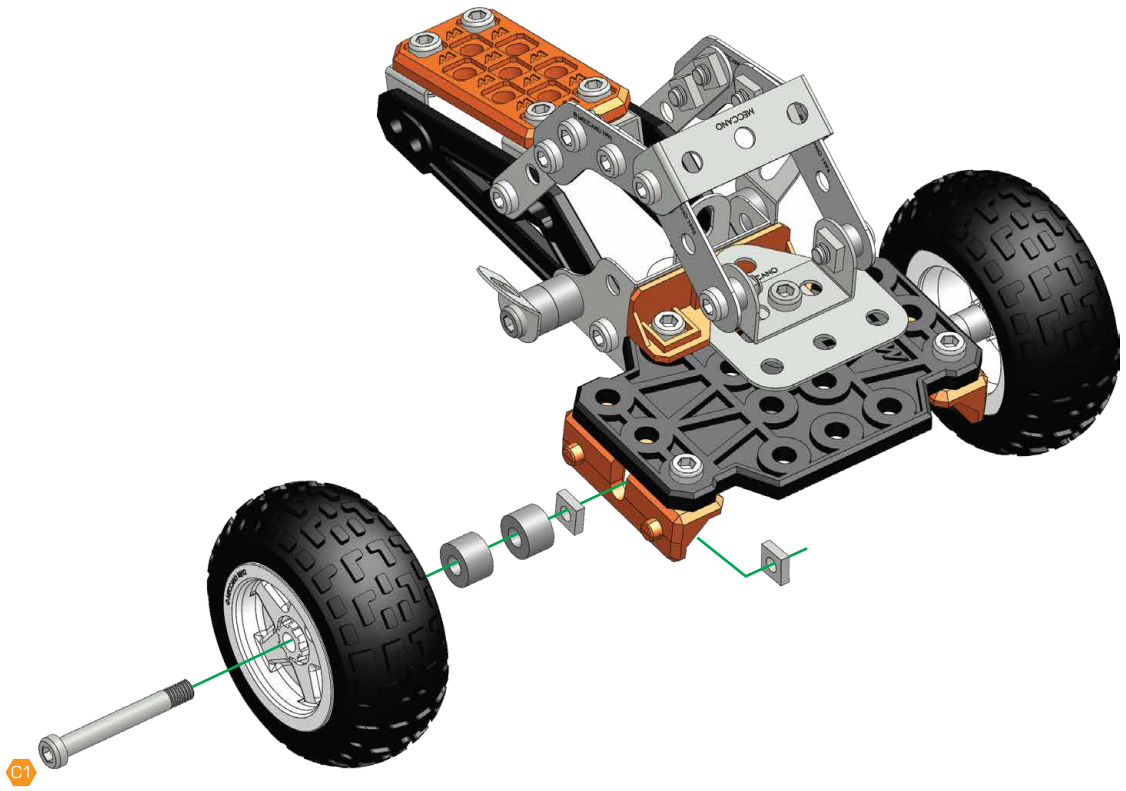
x 1



x 2



x 2






C1



32 mm

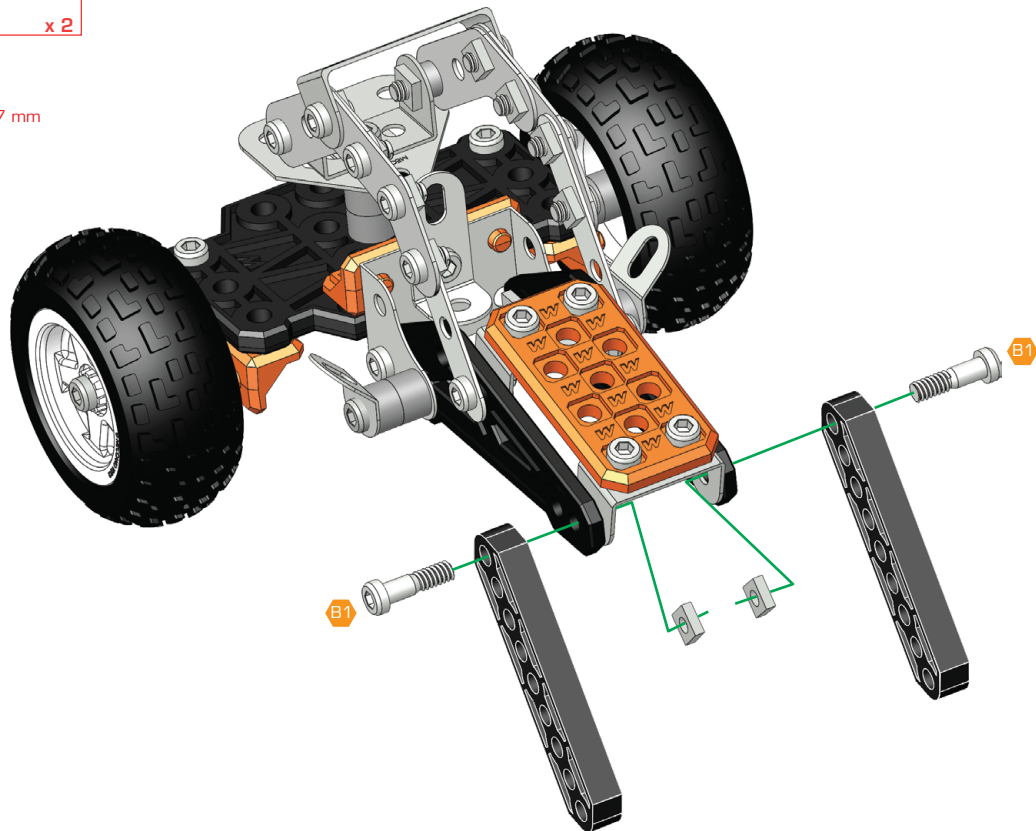


15




-  B1 x 2
-  x 2
-  x 2

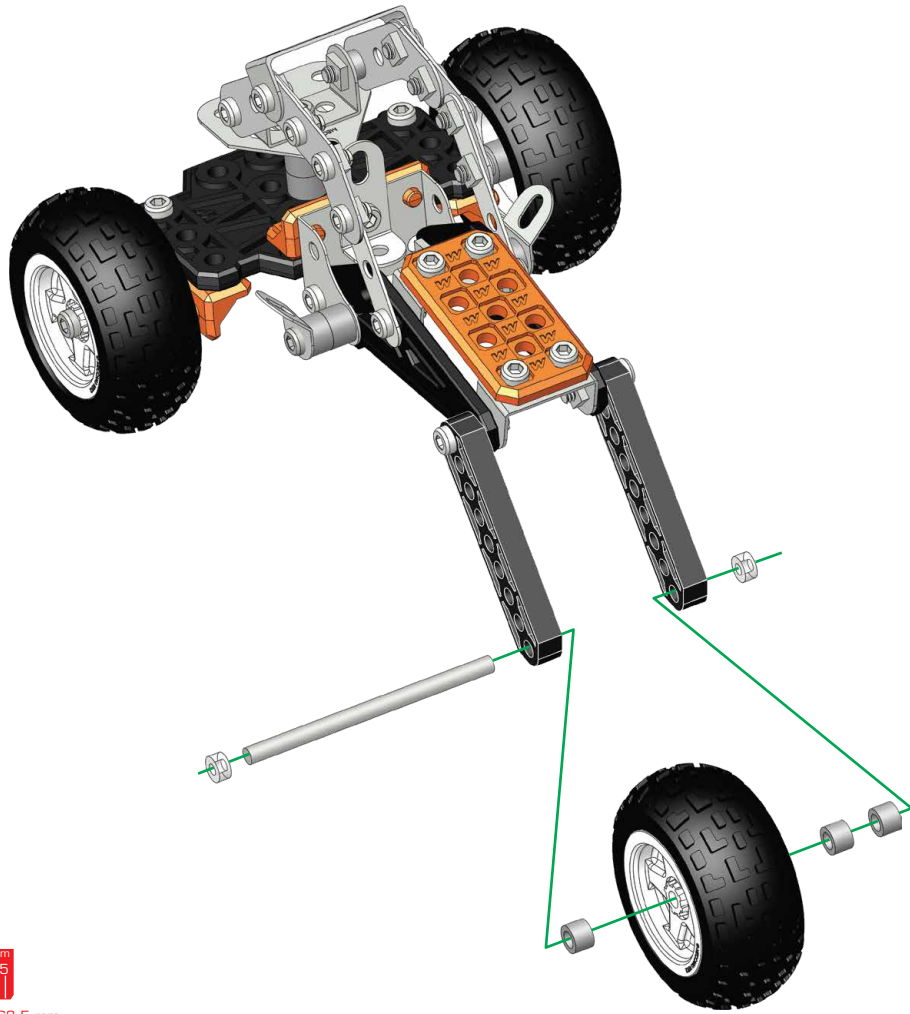


-  B1 14.7 mm

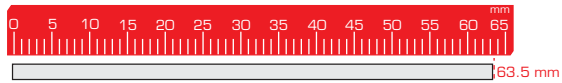


**16** 12+15

-  x 1
-  x 2
-  x 3



		<b>A338</b>	<b>1:1</b>
---	---	-------------	------------

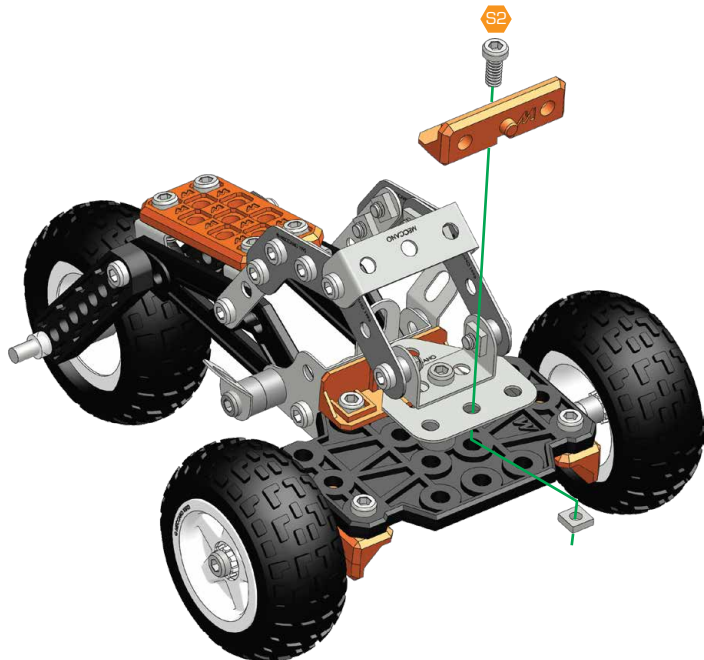


# 17

- S2 x 1
- x 1
- x 1



- S2 9.5 mm

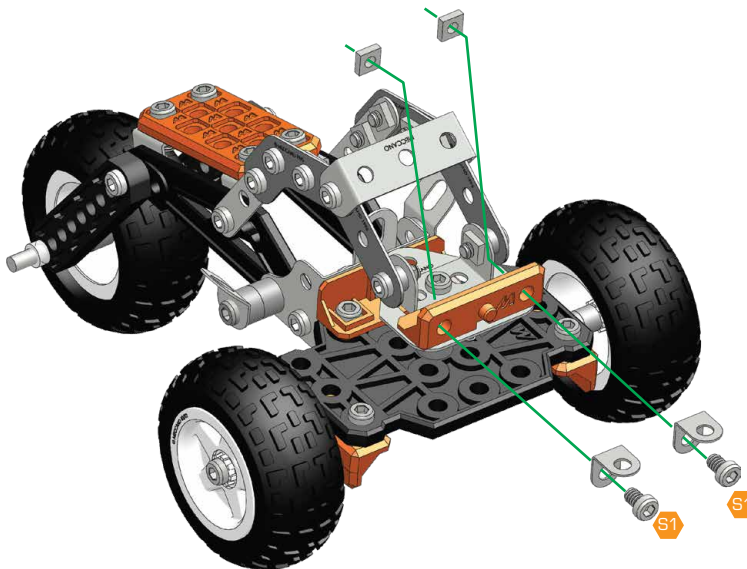


# 18






- S1 x 2
- x 2
- x 2

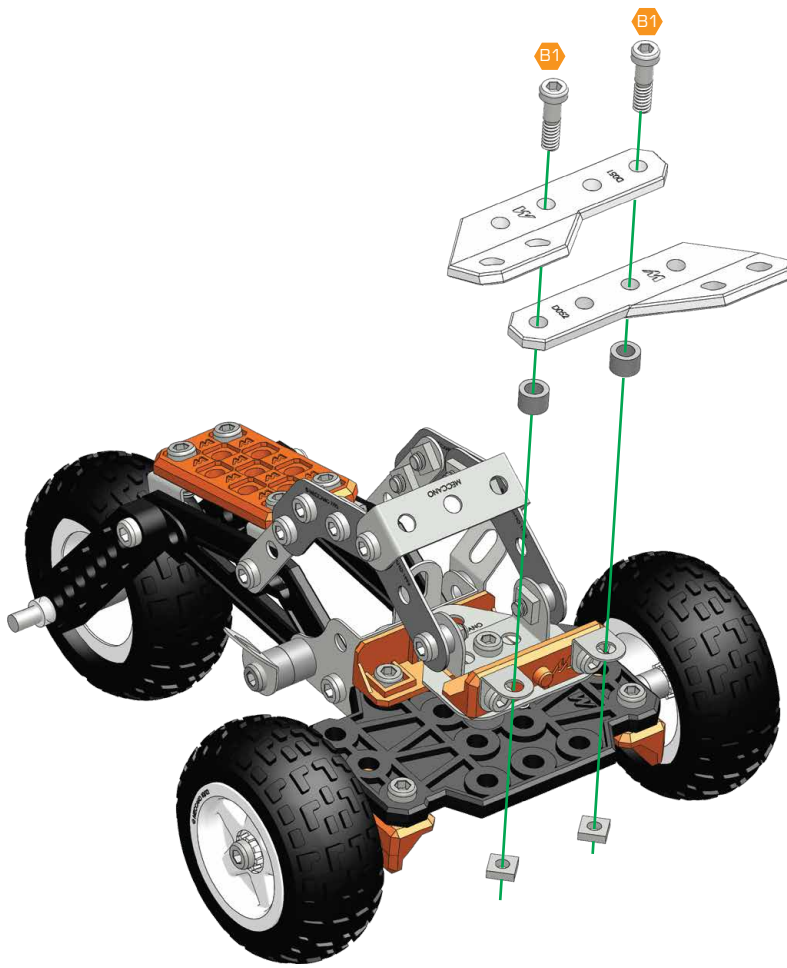
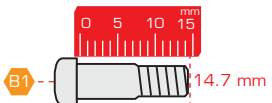


- S1 5.8 mm







# 19

-  **B1** x 2
-  x 2
-  x 2
-  x 1
-  x 1



20

-  x 2
-  x 2
-  x 1
-  x 1

