

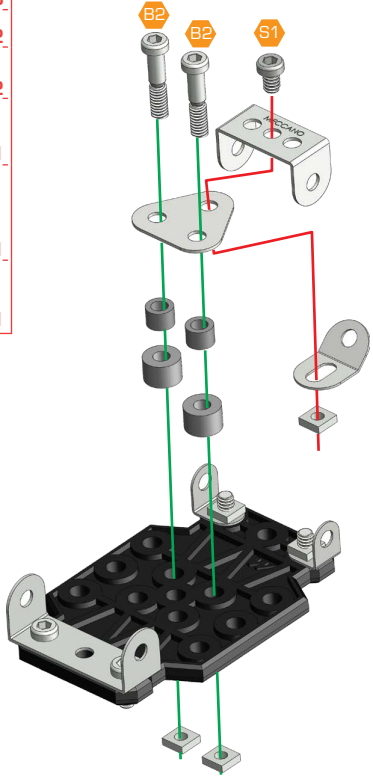
3

- S1 x 1
- B2 x 2
- x 3
- x 2
- x 2
- x 1
- x 1
- x 1



- S1 5.8 mm
- B2 19 mm

- A338
- A238
- 1:1

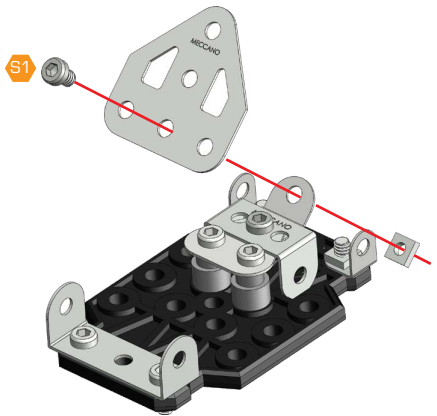


4

- S1 x 1
- x 1
- x 1



- S1 5.8 mm

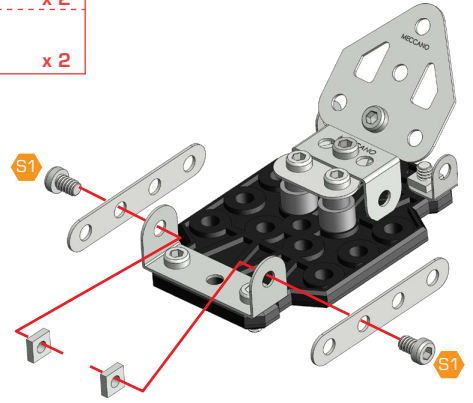


5

- S1 x 2
- x 2
- x 2

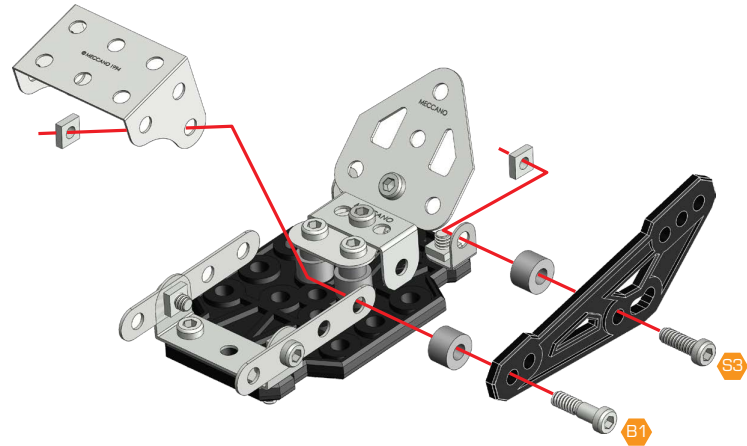
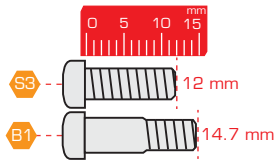


- S1 5.8 mm



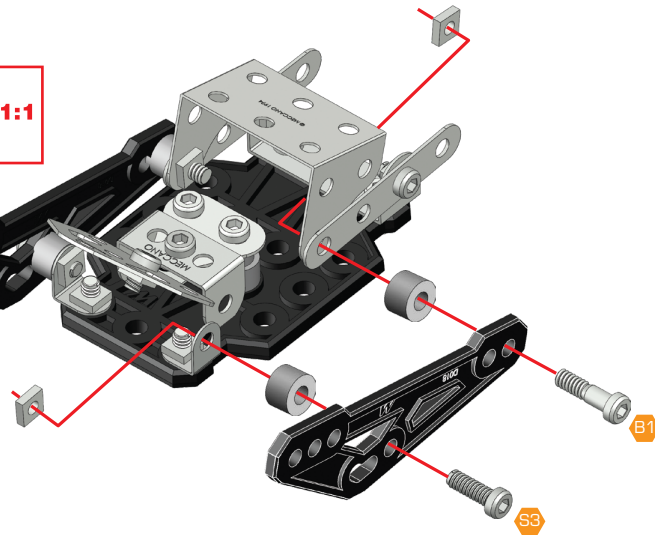
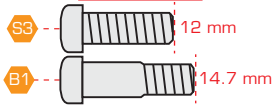
6

- S3 x 1
- B1 x 1
- x 2
- x 2
- x 1
- x 1



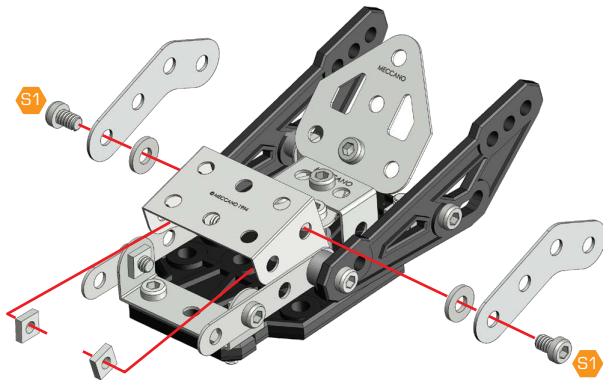
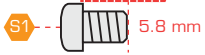
7

- S3 x 1
- B1 x 1
- x 2
- x 2
- x 1



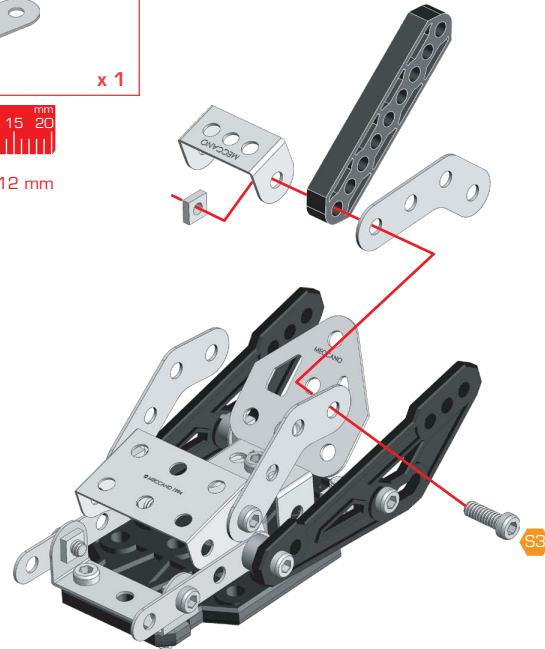
8

- S1 x 2
- x 2
- x 2
- x 2



9

- S3 x 1
- x 1
- x 1
- x 1
- x 1

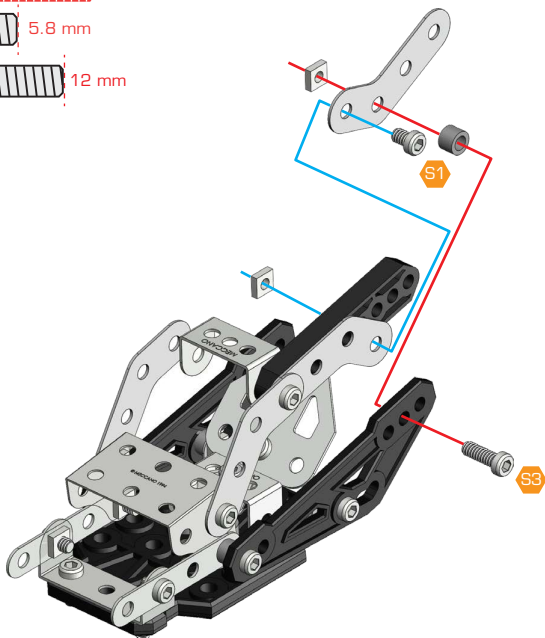


10

- S1 x 1
- S3 x 1
- x 2
- x 1
- x 1



- S1 5.8 mm
- S3 12 mm

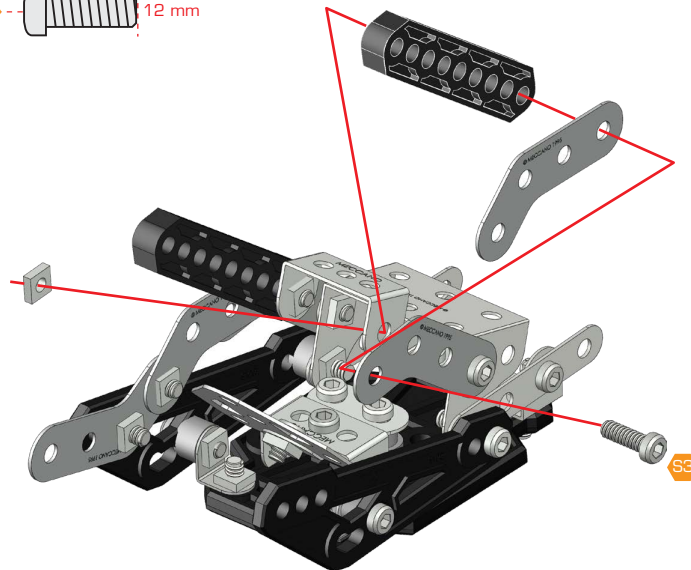


11








- S3 x 1
- x 1
- x 1
- x 1

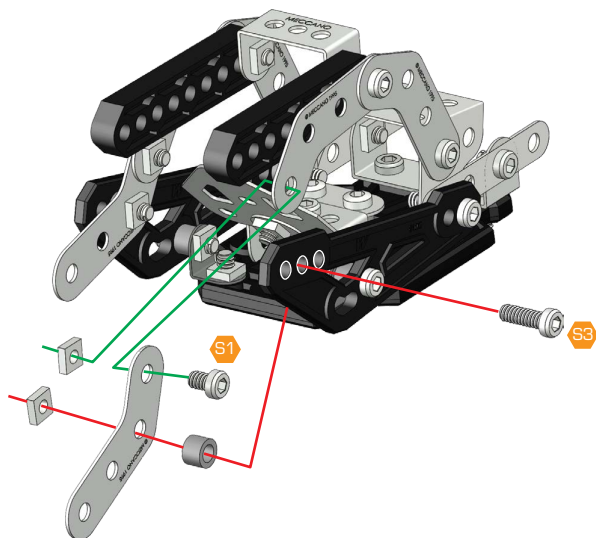


- S3 12 mm



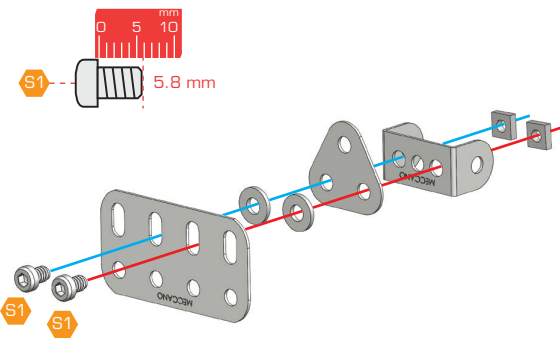
12

-  x 1
 -  x 1
 -  x 2
 -  x 1
 -  x 1
- 0 5 10 15 mm
-  5.8 mm
 -  12 mm







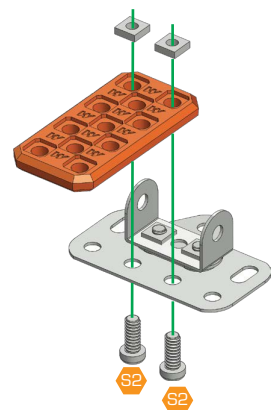
13

-  x 2
-  x 2
-  x 2
-  x 1
-  x 1
-  x 1



14

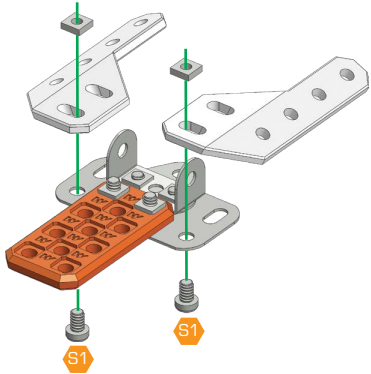
-  x 2
 -  x 2
 -  x 1
- 0 5 10 15 mm
-  9.5 mm



15

- S1 x 2
- x 2
- x 1
- x 1

S1 5.8 mm

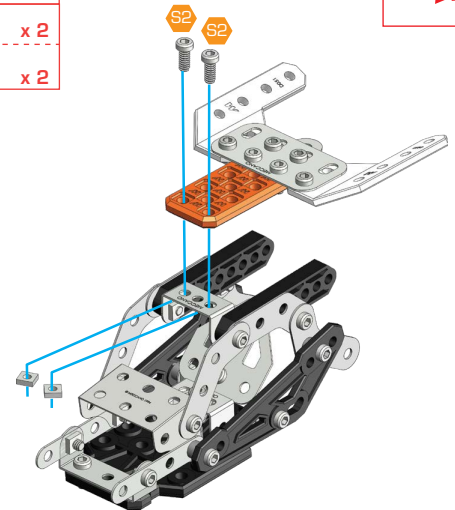


16

12+15

- S2 x 2
- x 2

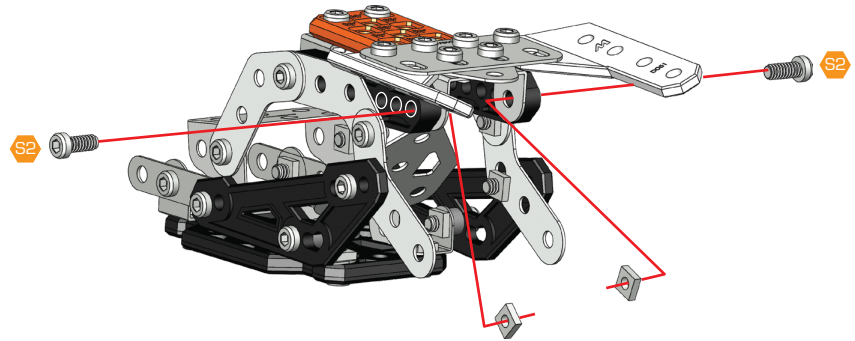
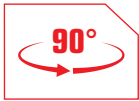
S2 9.5 mm







17

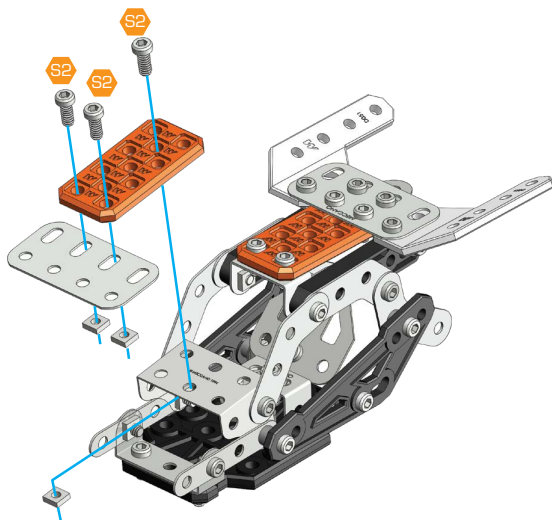
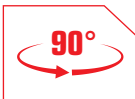
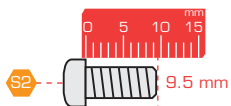
- S2 x 2
- x 2

S2 9.5 mm







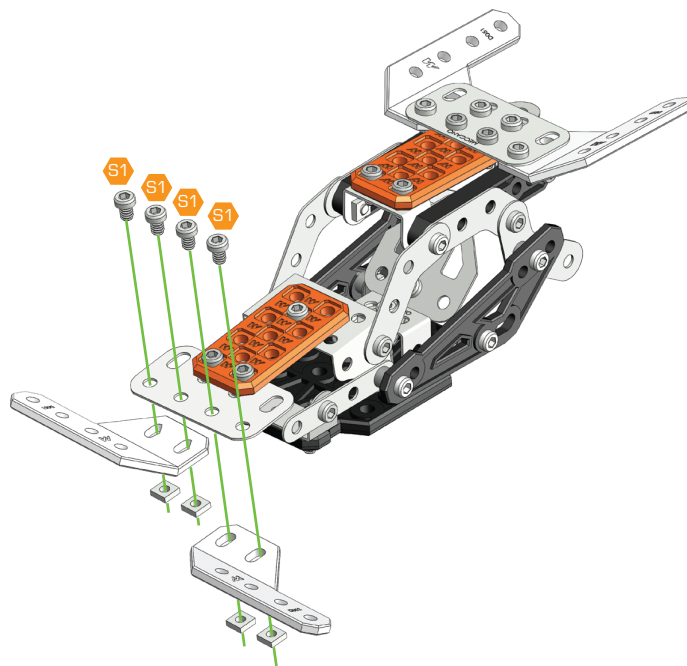
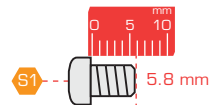
18

	x 3
	x 3
	x 1
	x 1



19

	x 4
	x 4
	x 1
	x 1

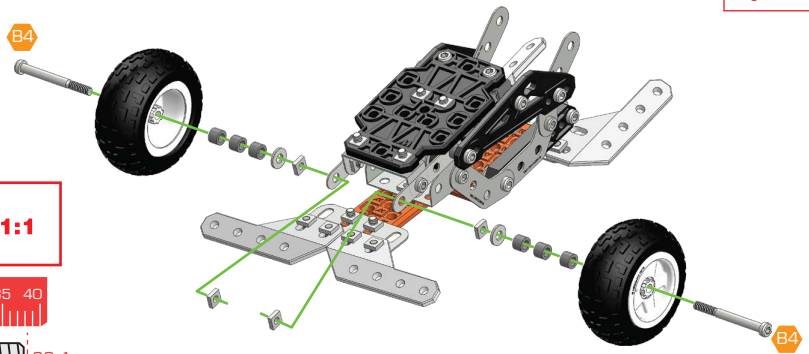
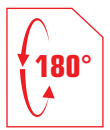
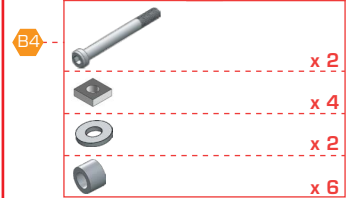


20



21

19+20



22

20+21

