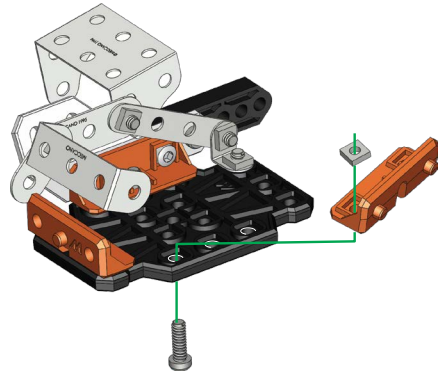
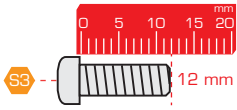


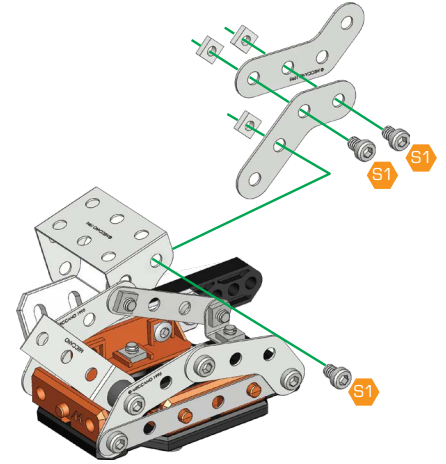
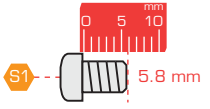
# 6

- S3 x 1
- x 1
- x 1



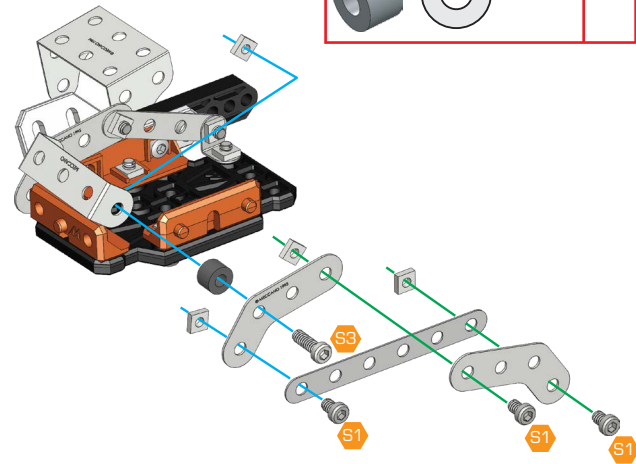
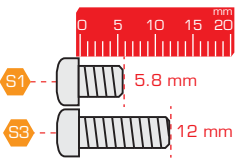
# 8

- S1 x 3
- x 3
- x 2



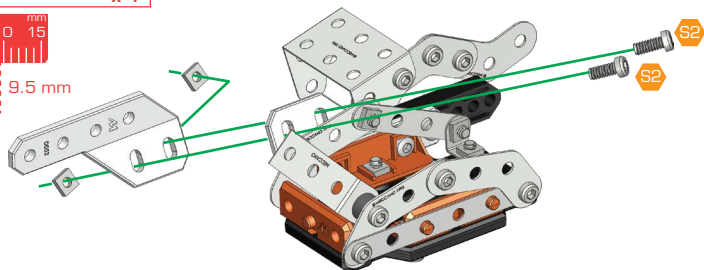
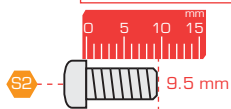
# 7

- S1 x 3
- S3 x 1
- x 4
- x 1
- x 2
- x 1



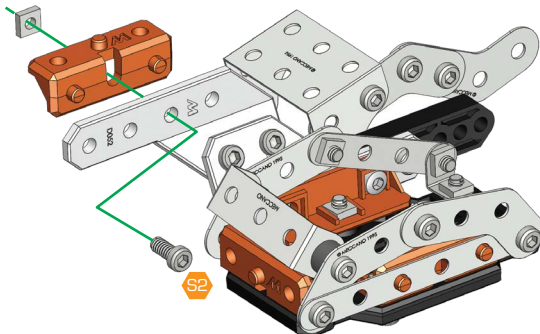
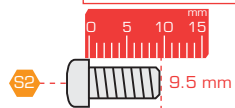
# 9

- S2 x 2
- x 2
- x 1



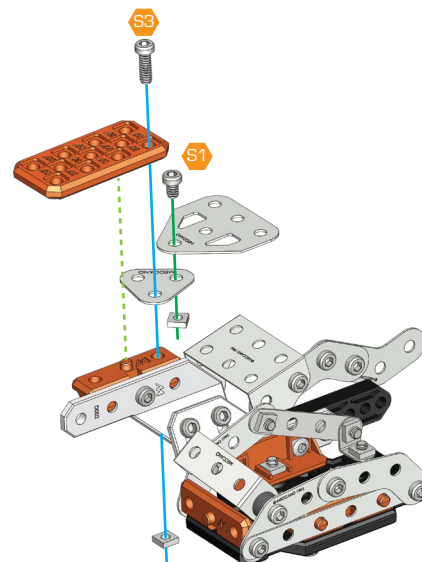
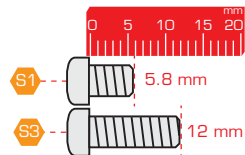
# 10

- S2 x 1
- x 1
- x 1








# 11



- S1 x 1
- S3 x 1
- x 2
- x 1
- x 1
- x 1

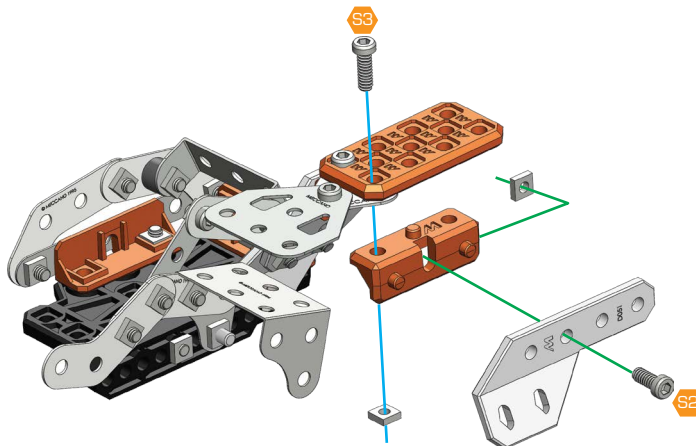


# 12






-  x 1
-  x 1
-  x 2
-  x 1
-  x 1





-  9.5 mm
-  12 mm

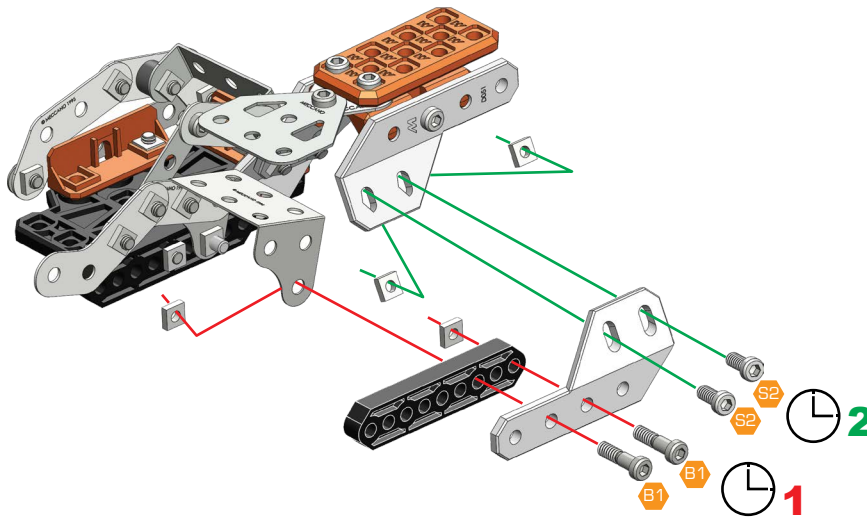


# 13








-  x 2
-  x 2
-  x 4
-  x 1
-  x 1

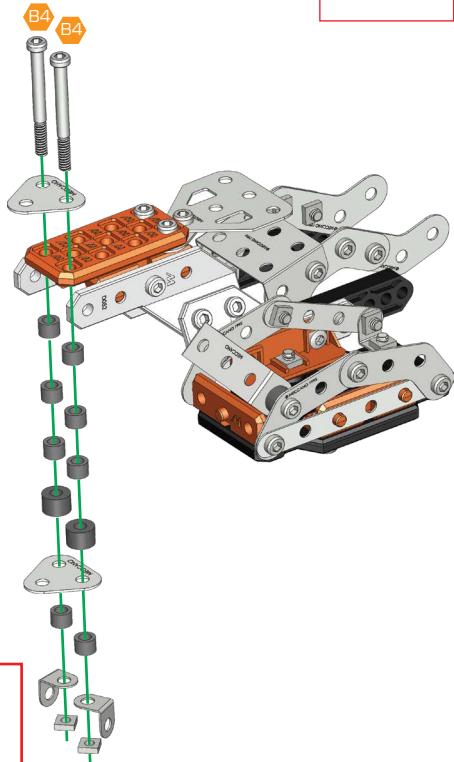






-  9.5 mm
-  14.7 mm



# 14

-  x 2
-  x 2
-  x 8
-  x 2
-  x 2
-  x 2
-  x 2




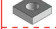

- |                                                                                     |                                                                                     |             |            |
|-------------------------------------------------------------------------------------|-------------------------------------------------------------------------------------|-------------|------------|
|   |   | <b>A238</b> | <b>1:1</b> |
|  |  | <b>A338</b> |            |




 38.1 mm

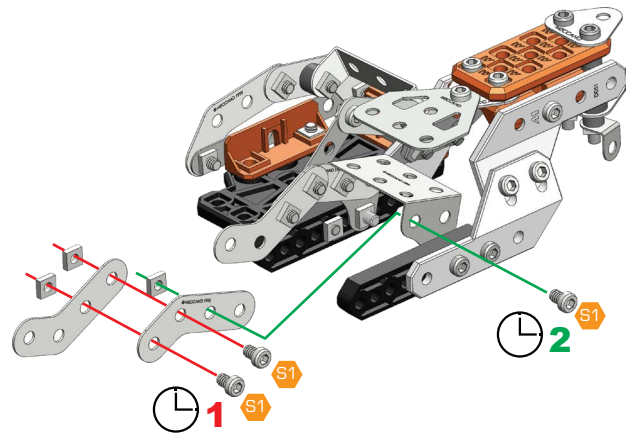
6

# 15

-  x 3
-  x 3
-  x 2



 5.8 mm



# 16

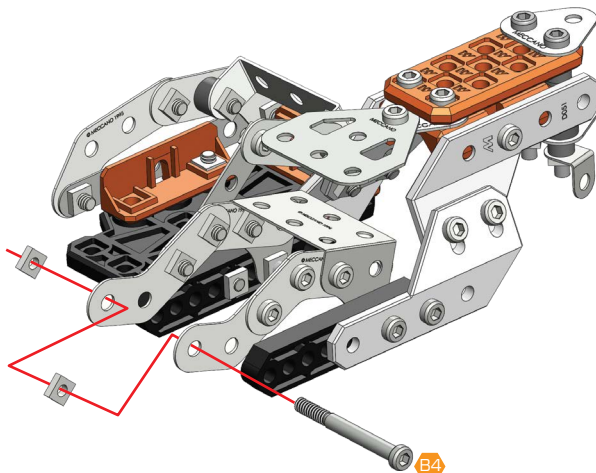
B4



x 1



x 2



B4



38.1 mm

B4

# 17

S1



x 2



x 2



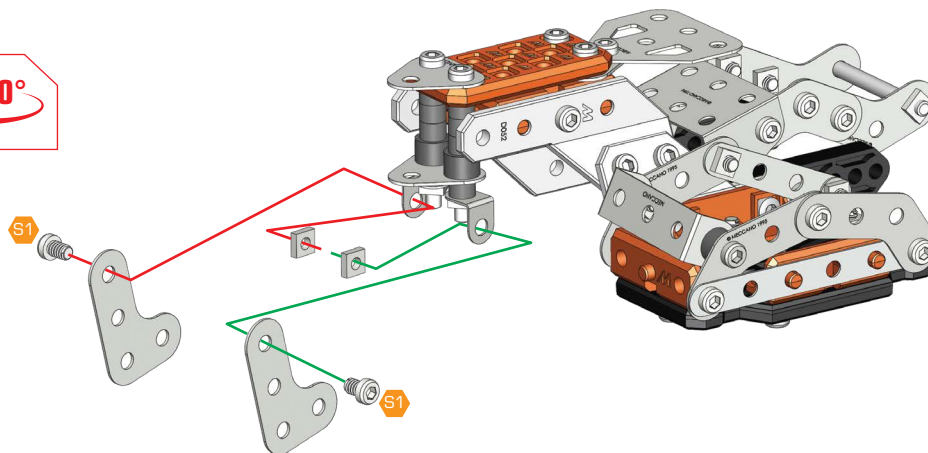
x 2



S1

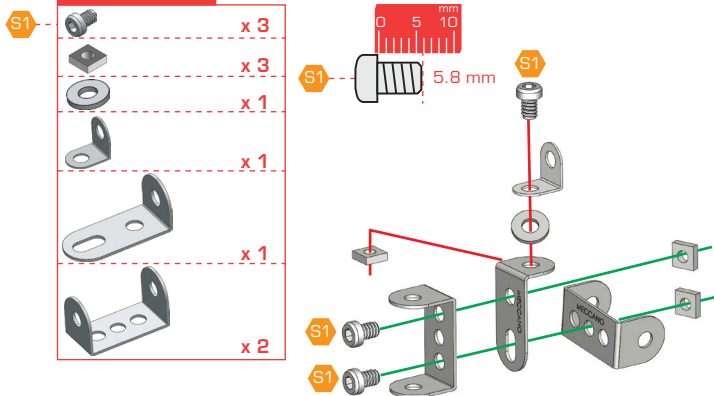


5.8 mm

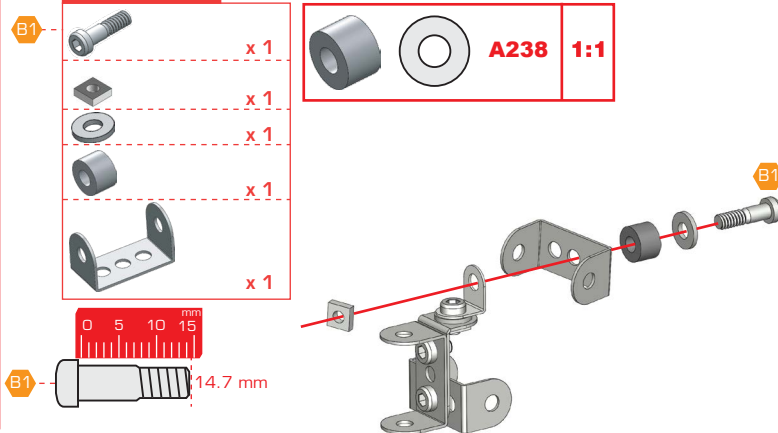




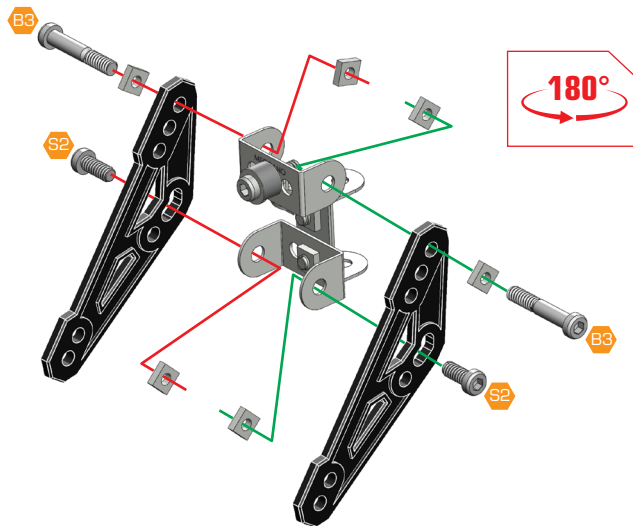
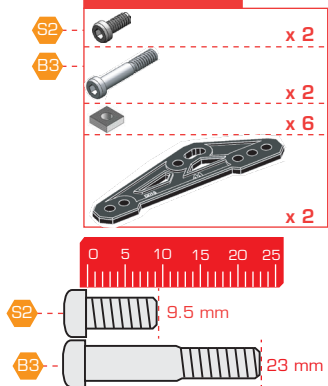
# 18



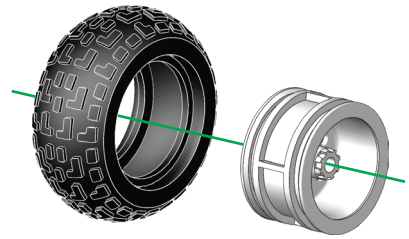
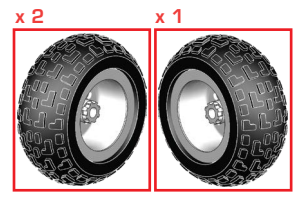
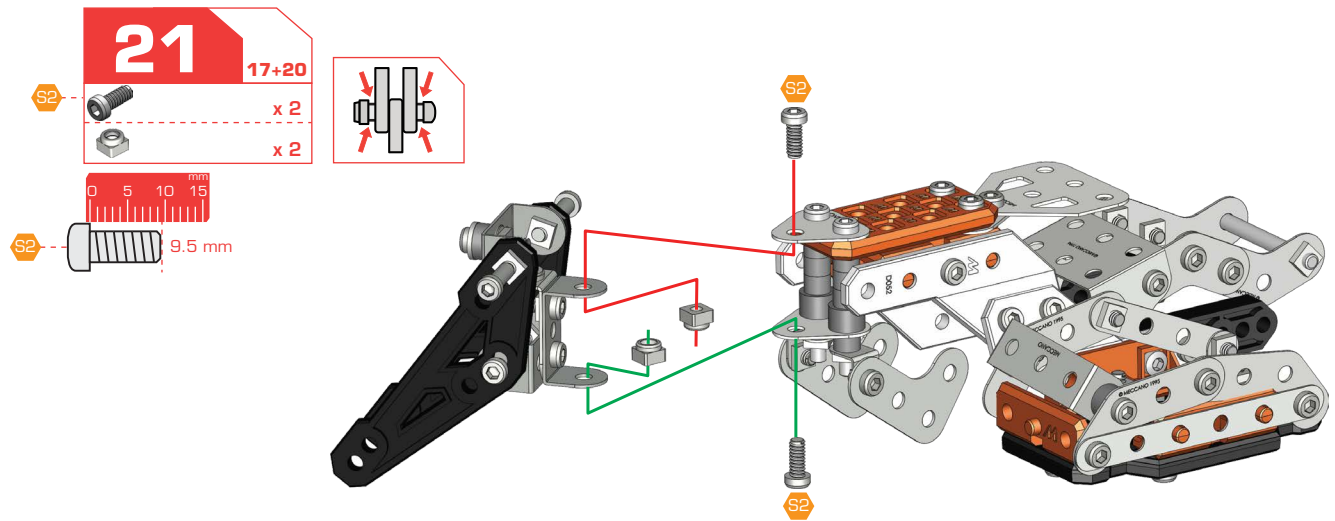
# 19



# 20










# 23

21+22

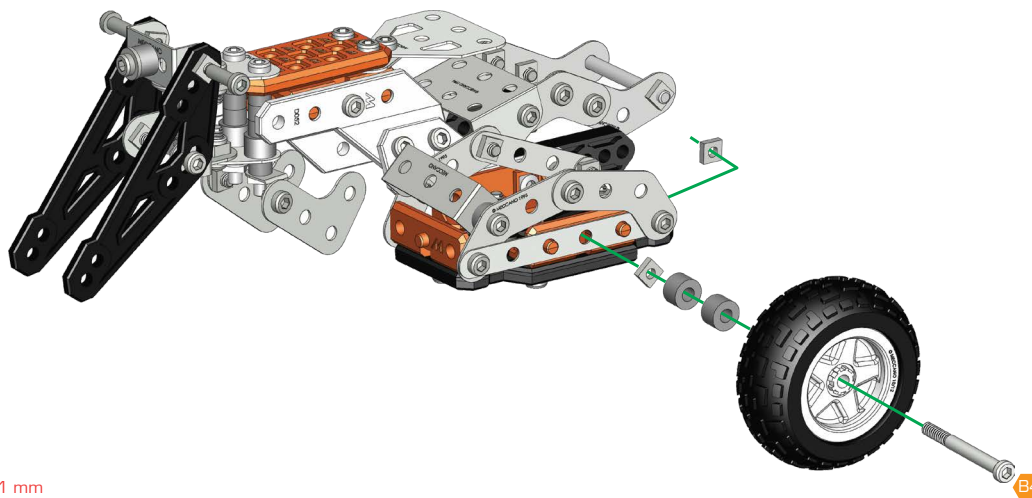
-  x 1
-  x 2
-  x 2



**A238** 1:1







-  38.1 mm



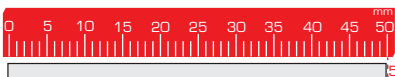
# 24

22+23

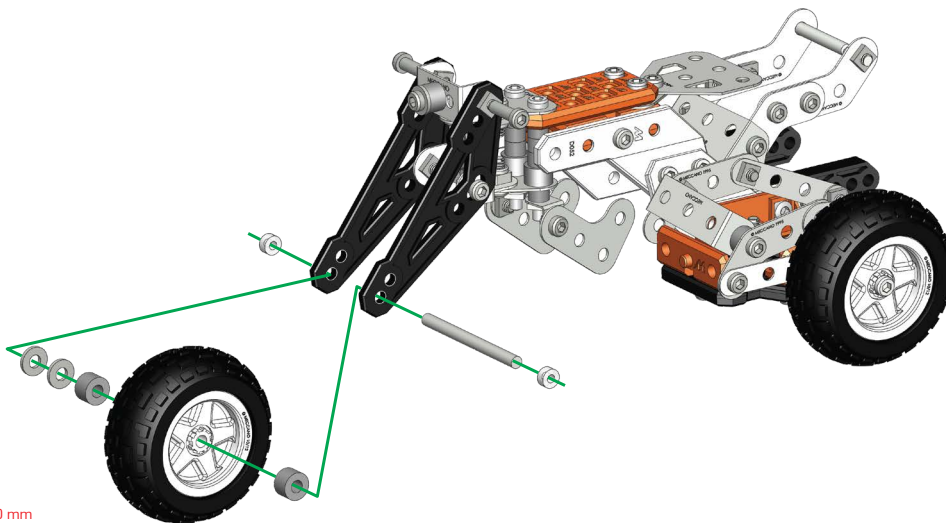
-  x 1
-  x 2
-  x 2
-  x 2



**A238** 1:1

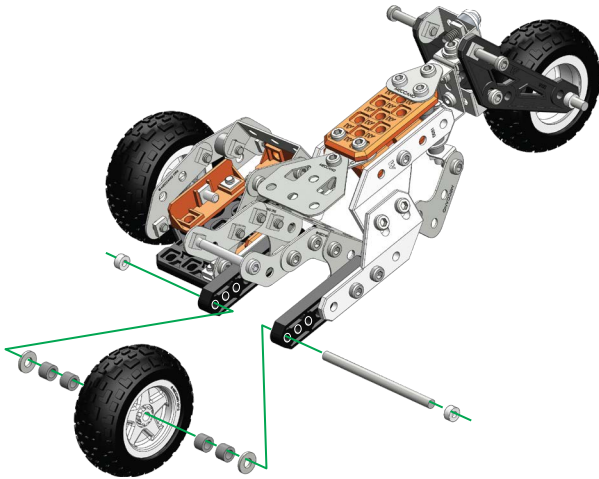


50 mm

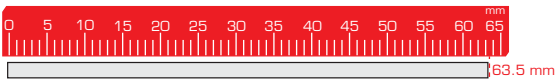


**25** 22+24

	x 1
	x 2
	x 4
	x 2



		<b>A338</b>	<b>1:1</b>
--	--	-------------	------------

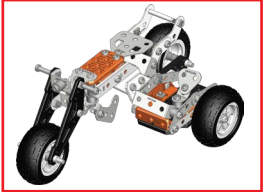


**26**

	x 1
	x 1
	x 2
	x 1
	x 1
	x 1



	5.8 mm
	14.7 mm



**1**

**2**

