






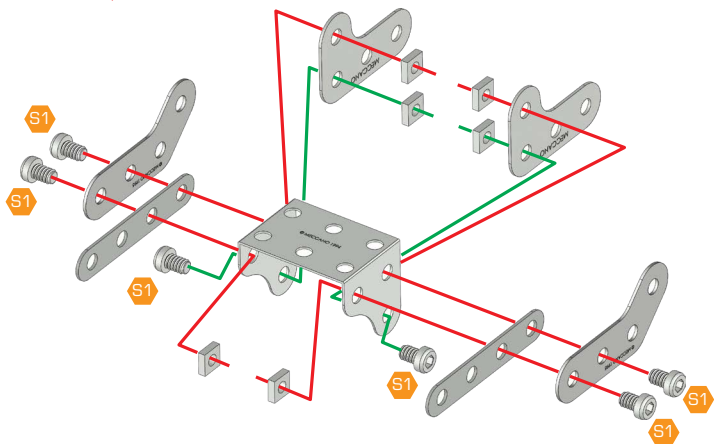


1

-  x 6
-  x 6
-  x 1
-  x 2
-  x 2
-  x 2

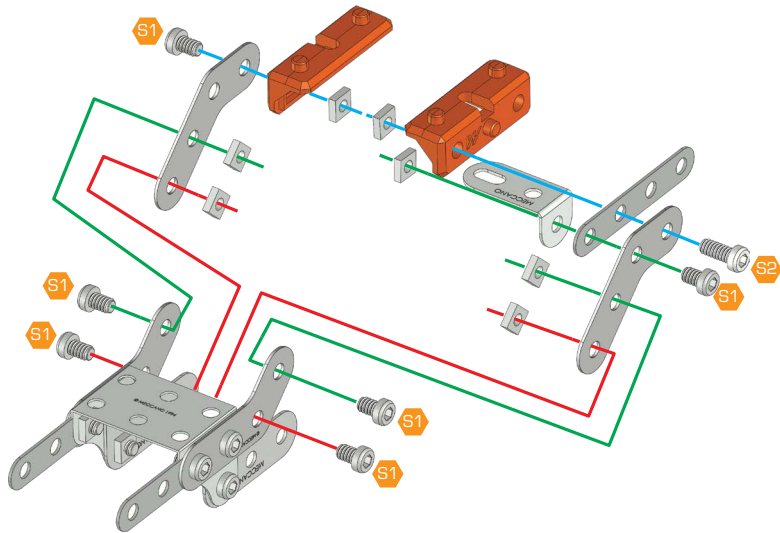


 5.8 mm



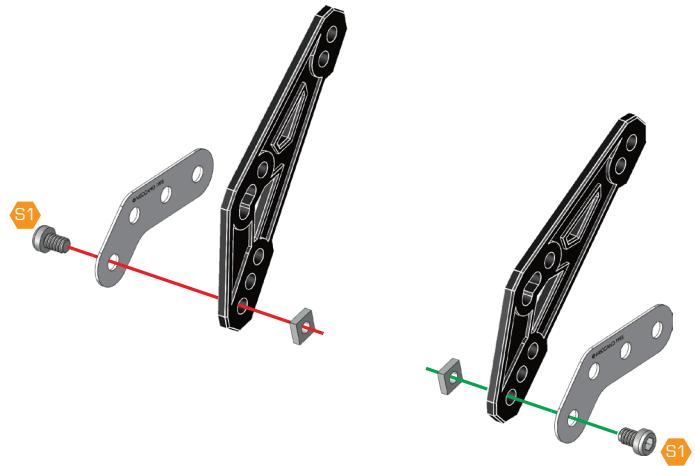
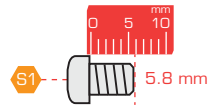
2

- S1 x 6
 - S2 x 1
 - x 7
 - x 2
 - x 1
 - x 1
 - x 2
- 5.8 mm
- 9.5 mm



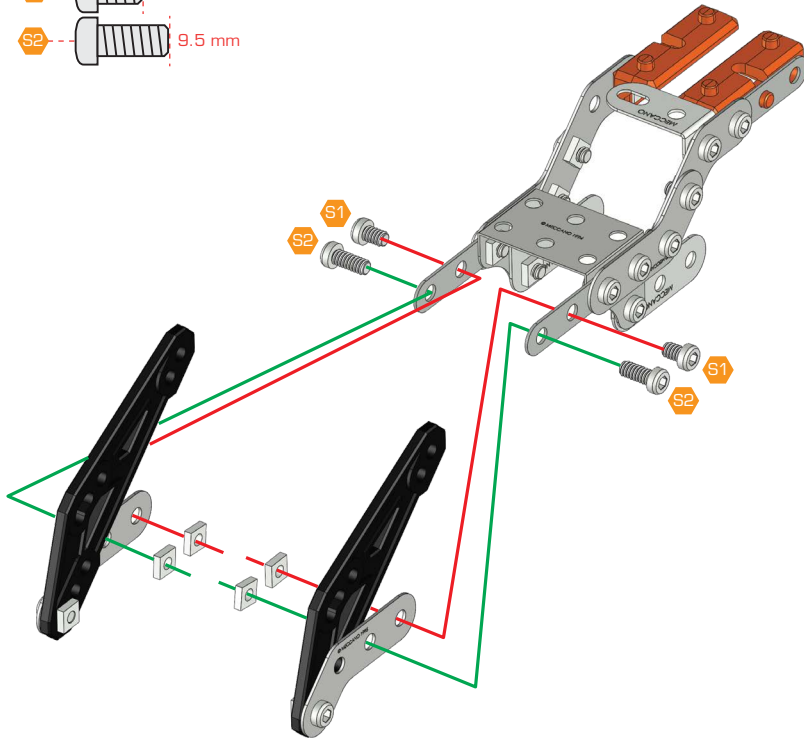
3

- S1 x 2
- x 2
- x 2
- x 2

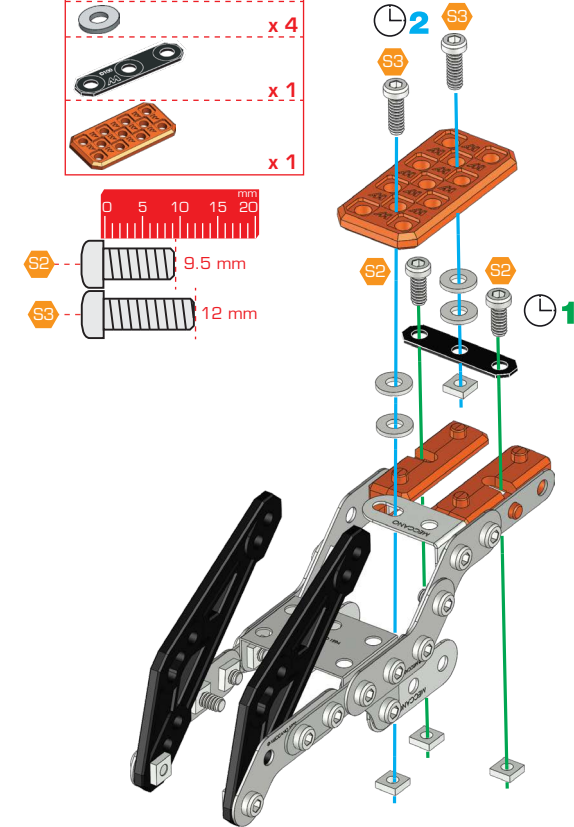


4**2+3**

S1		x 2
S2		x 2
		x 4

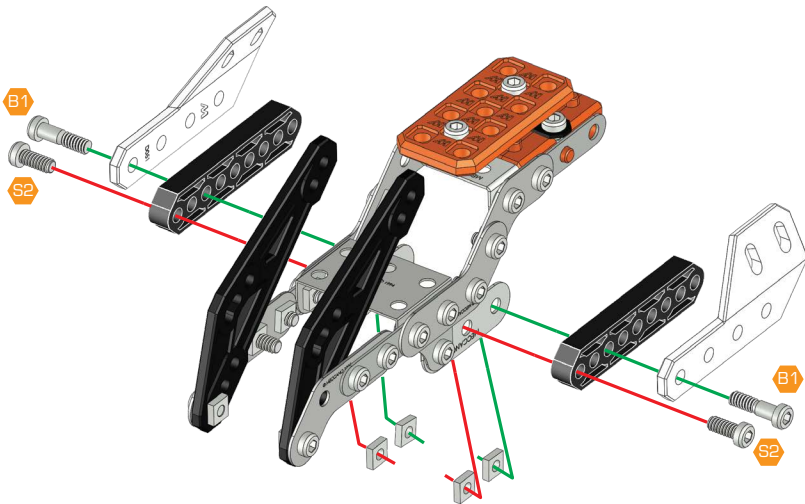
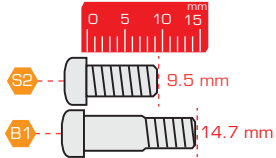
**5**

S2		x 2
S3		x 2
		x 4
		x 4
		x 1
		x 1



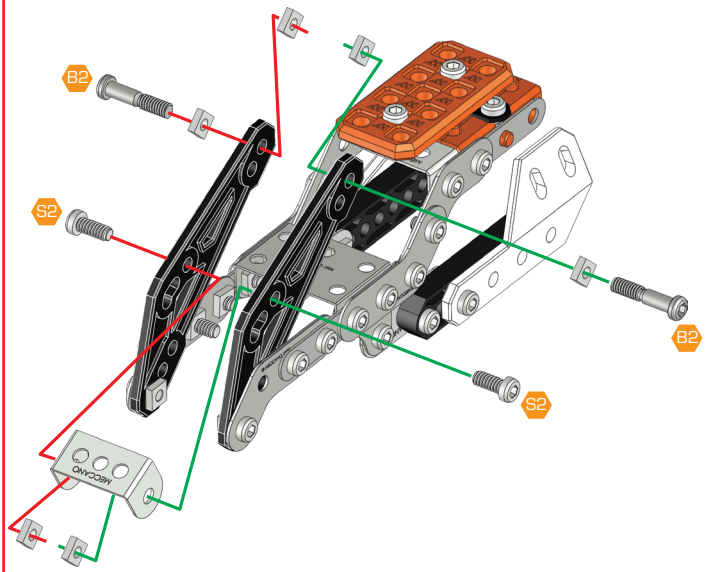
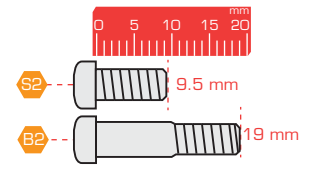
6

- S2 x 2
- B1 x 2
- x 4
- x 1
- x 1
- x 2









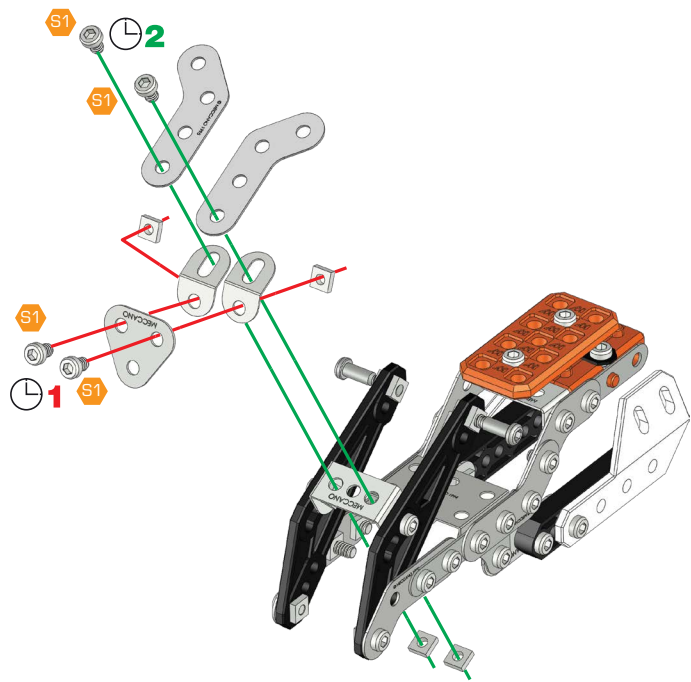
7

- S2 x 2
- B2 x 2
- x 6
- x 1






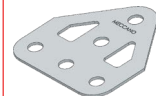






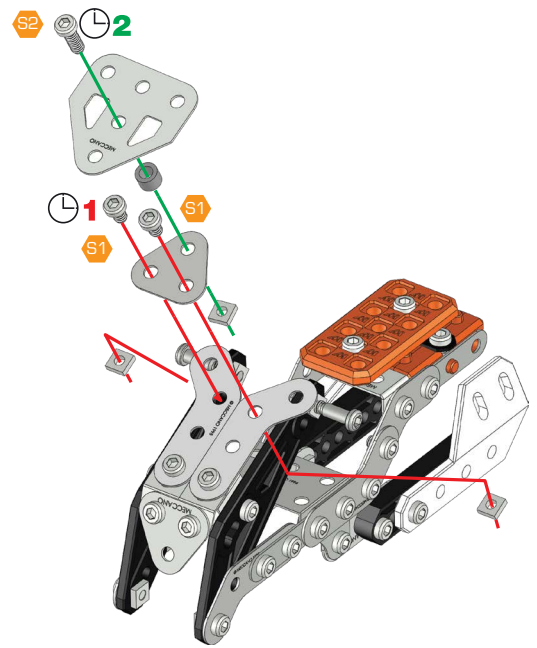
8

-  x 4
 -  x 4
 -  x 2
 -  x 1
 -  x 2
-  5.8 mm

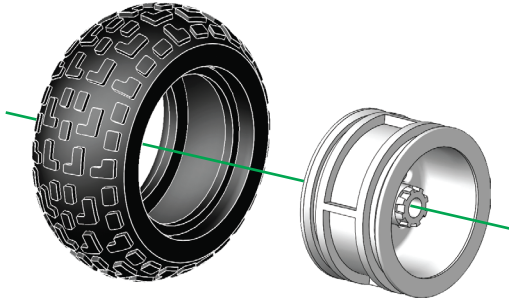
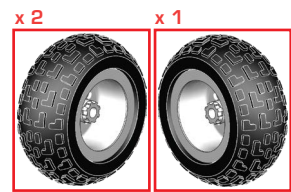


9






-  x 2
 -  x 1
 -  x 3
 -  x 1
 -  x 1
 -  x 1
-  5.8 mm
-  9.5 mm
- | | | | |
|---|---|-------------|------------|
|  |  | A338 | 1:1 |
|---|---|-------------|------------|

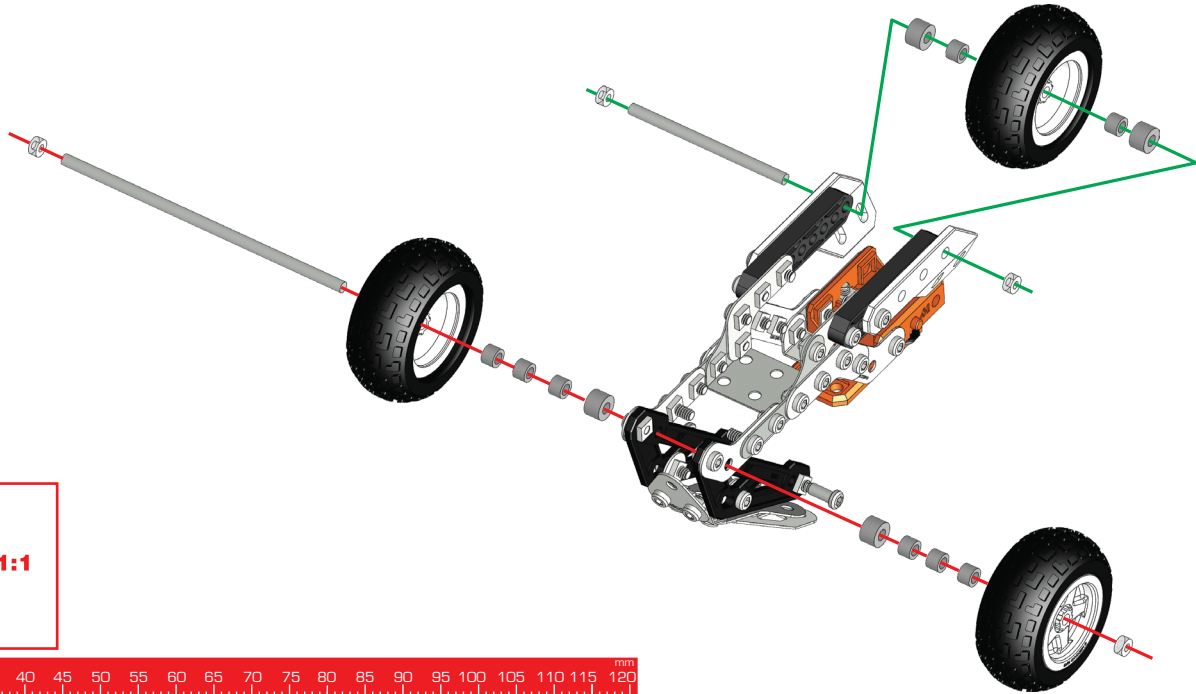
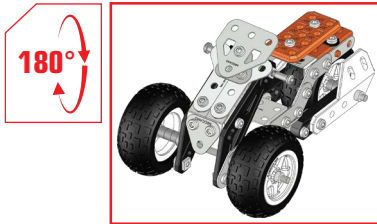






10



11 **9+10**

-  x 1
-  x 1
-  x 4
-  x 8
-  x 4



		A238	1:1
		A338	

