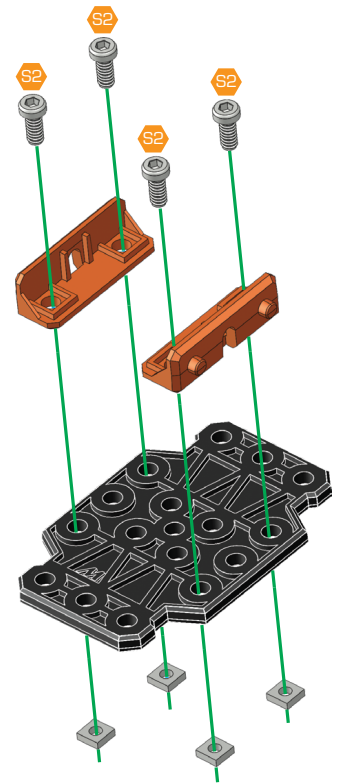
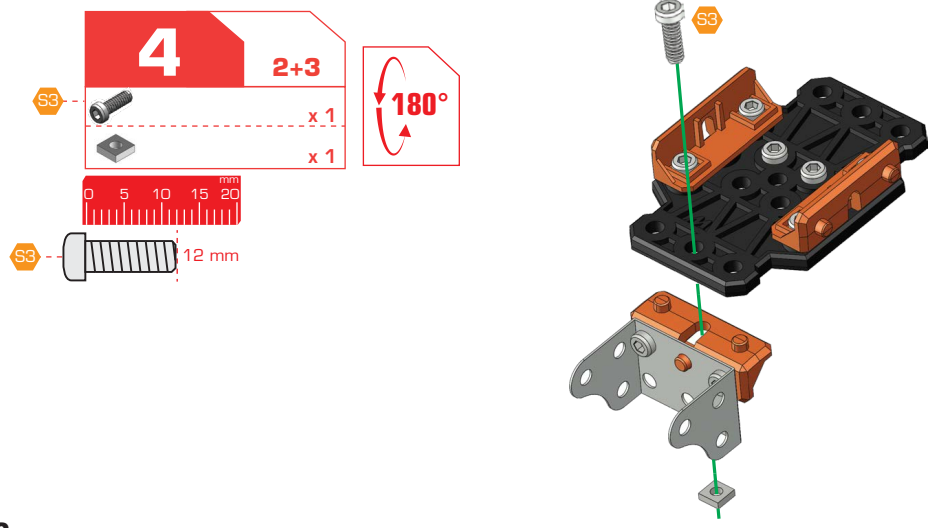
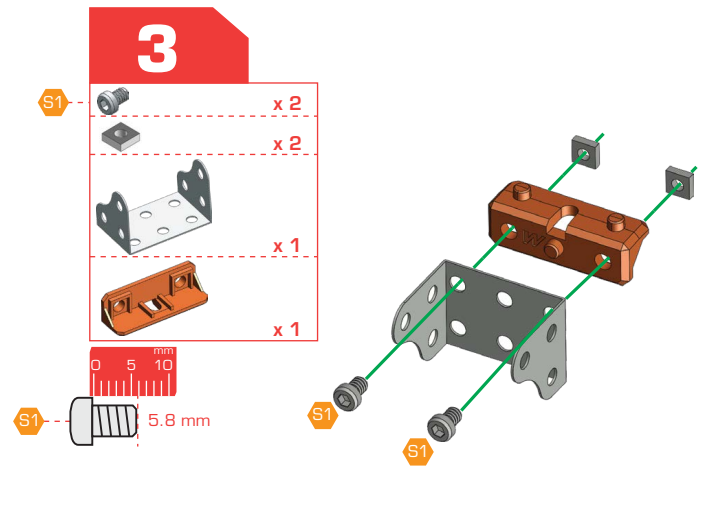
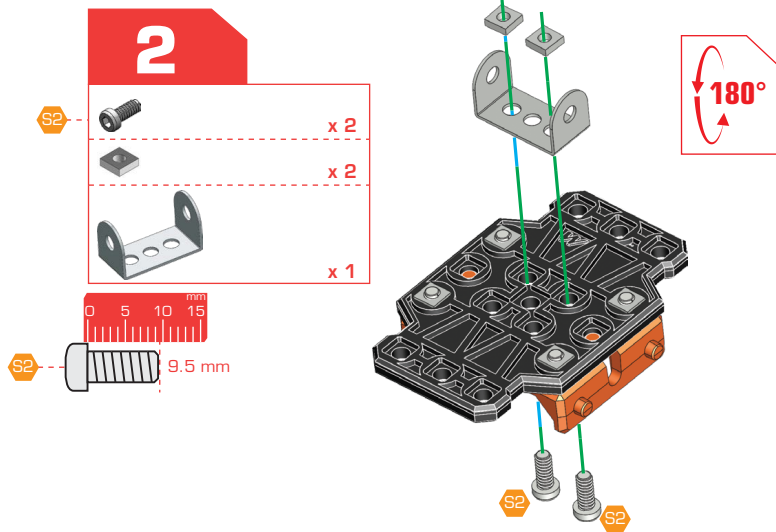









1

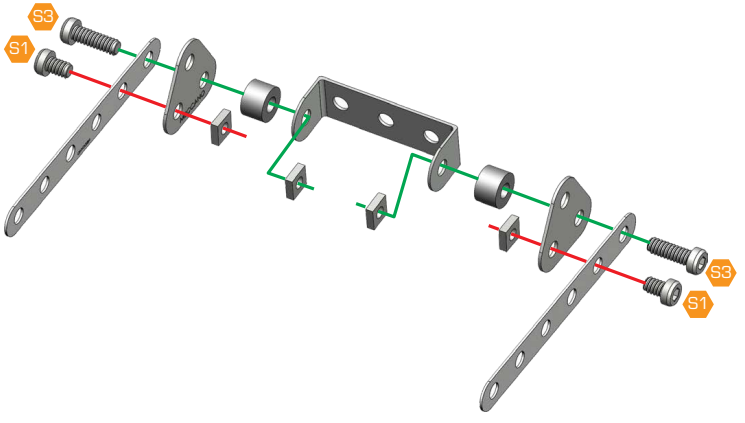
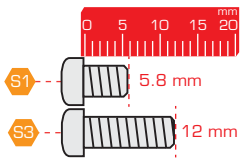
-   x 4
 -  x 2
 -  x 1
-  9.5 mm






5

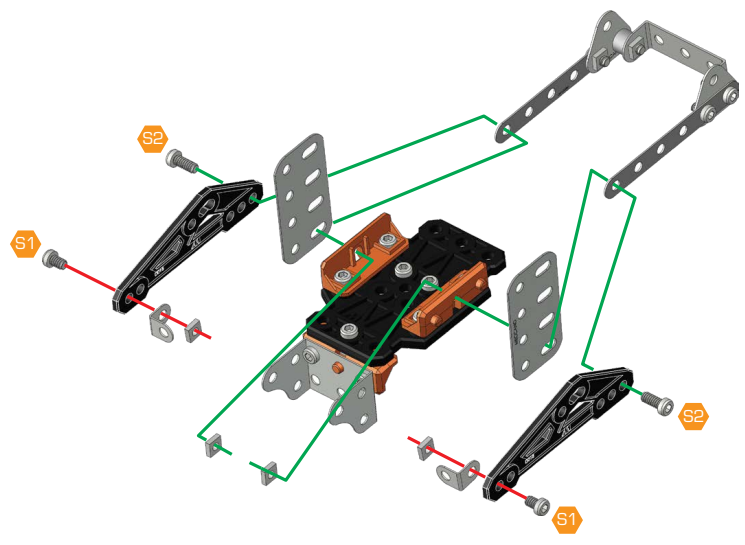
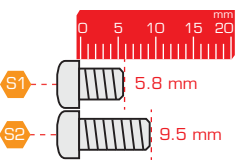
-  x 2
-  x 2
-  x 4
-  x 2
-  x 2
-  x 1
-  x 2



6

4+5

-  x 2
-  x 2
-  x 4
-  x 2
-  x 2
-  x 2

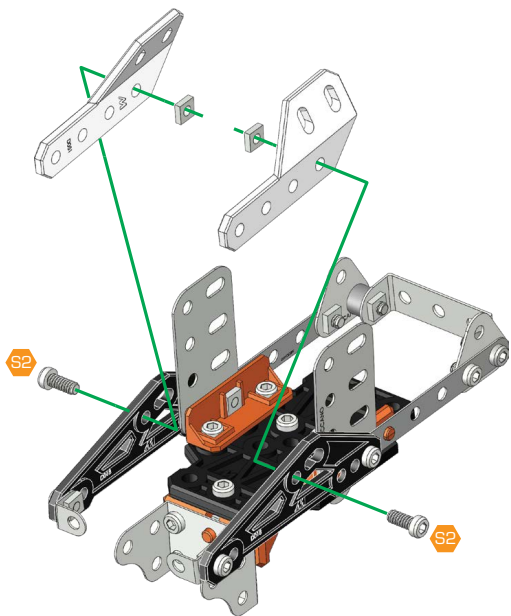


7

- S2 x 2
- x 2
- x 1
- x 1

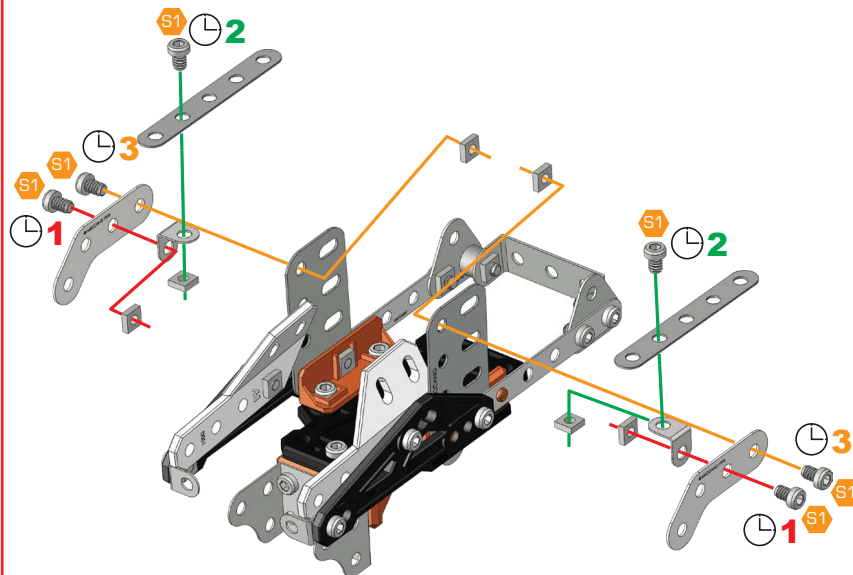
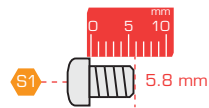


S2 9.5 mm



8

- S1 x 6
- x 6
- x 2
- x 2
- x 2



9

- S1 x 2
- x 2
- x 1
- x 2

5.8 mm

10

8+9

- S1 x 2
- x 2

5.8 mm

11

- S2 x 2
- B1 x 1
- x 3
- x 1
- x 1
- x 2

9.5 mm

14.7 mm

A238 1:1

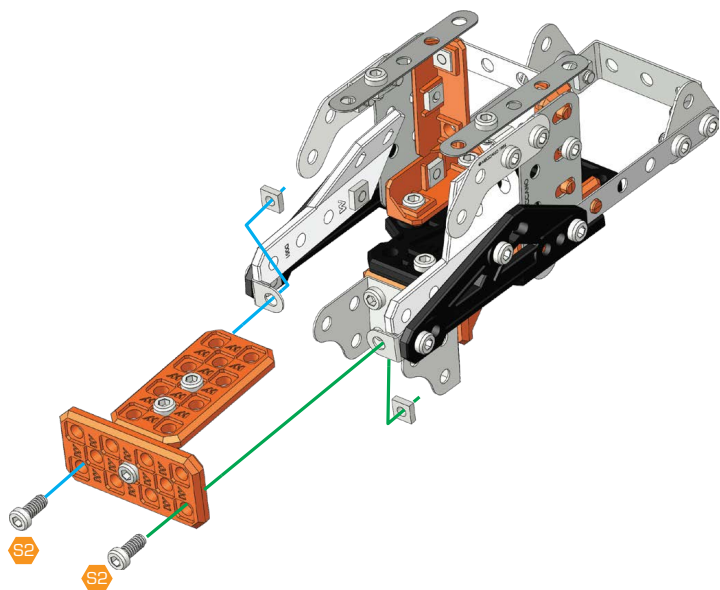
12

10+11










- S2  x 2
-  x 2



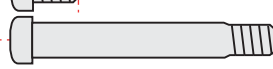
- S2  9.5 mm

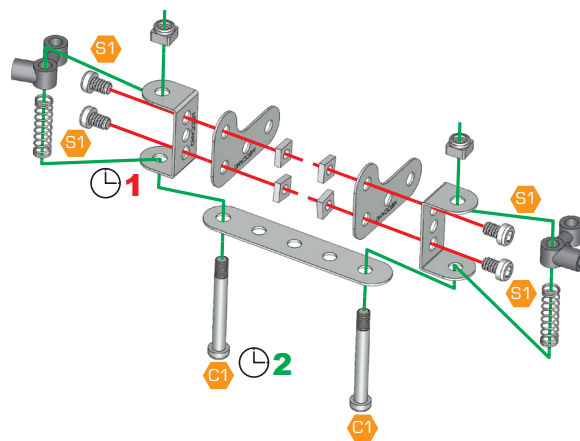
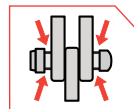


13




- S1  x 4
- C1  x 2
-  x 4
-  x 2
-  x 2
-  x 1
-  x 2
-  x 2
-  x 2

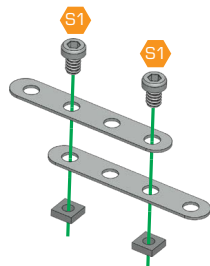
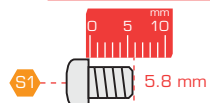


- S1  5.8 mm
- C1  32 mm



14

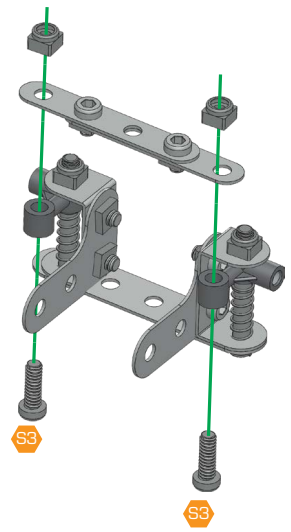
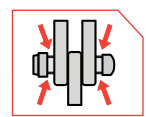
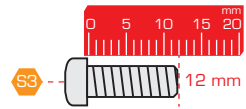
- S1  x 2
-  x 2
-  x 2



15

13+14

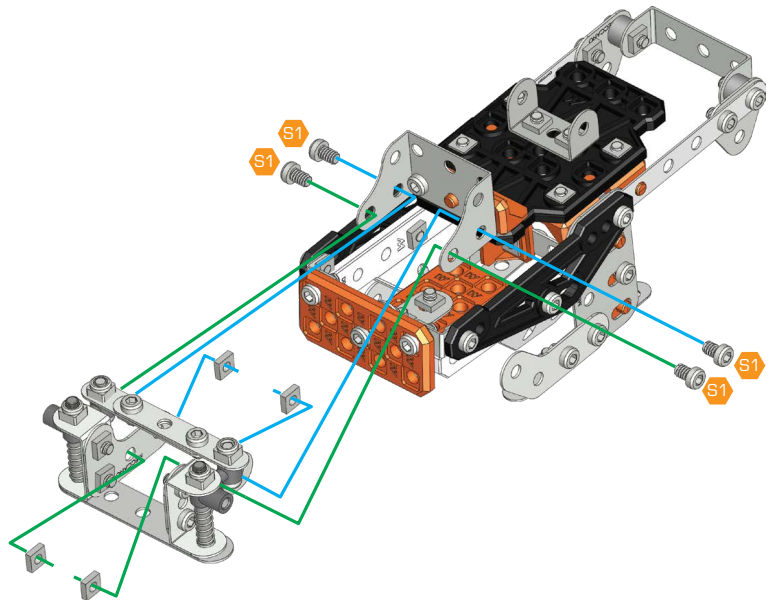
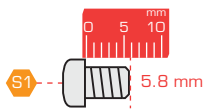
- S3  x 2
-  x 2



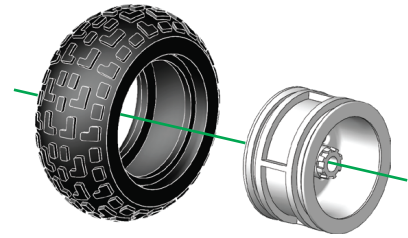
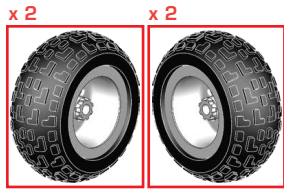
16

12+15

- S1  x 4
-  x 4

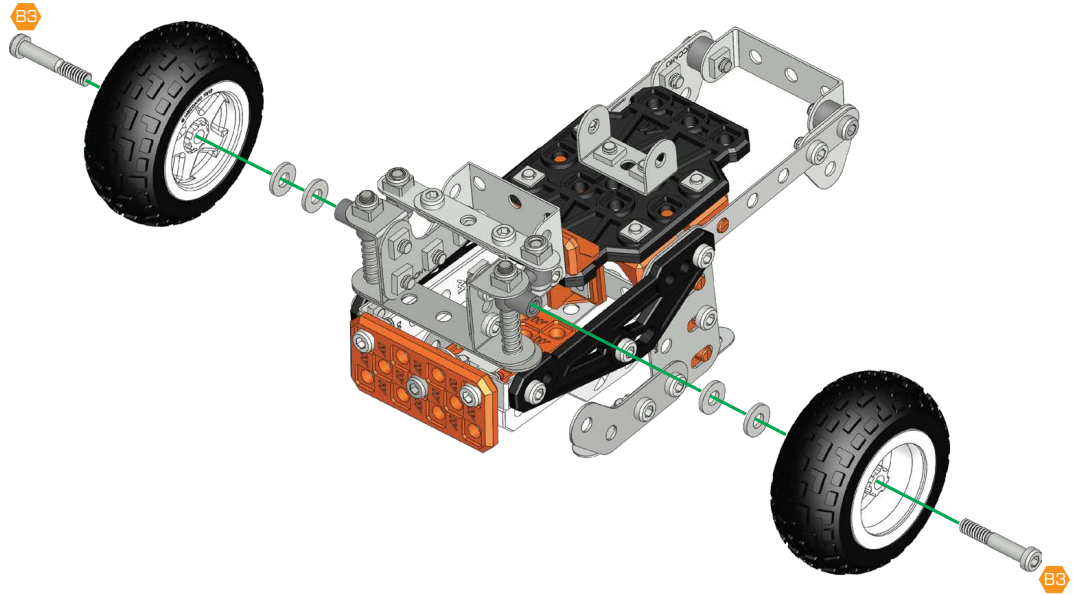
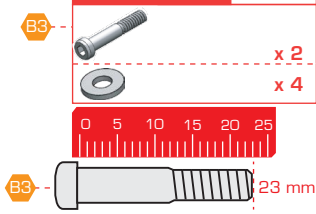


17

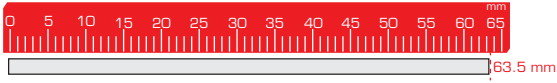
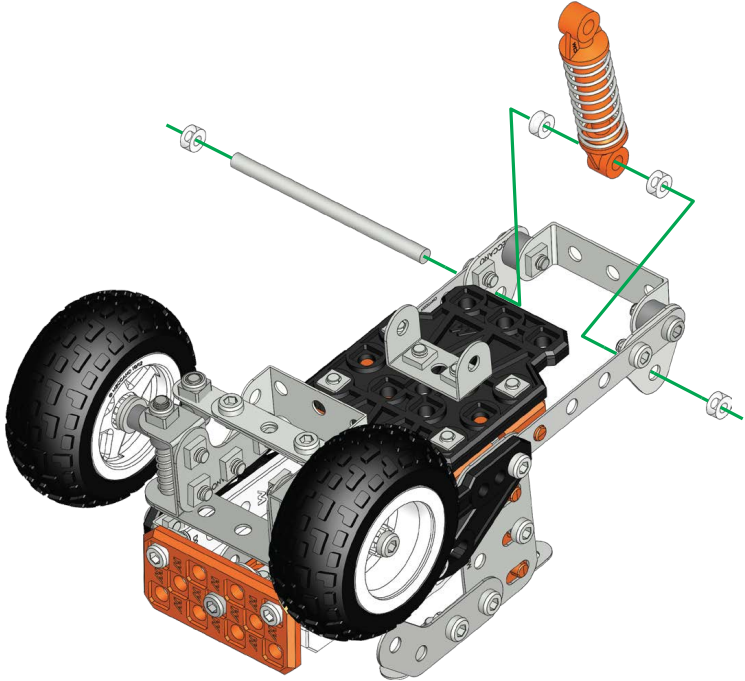
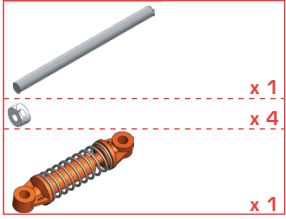


18


16+17

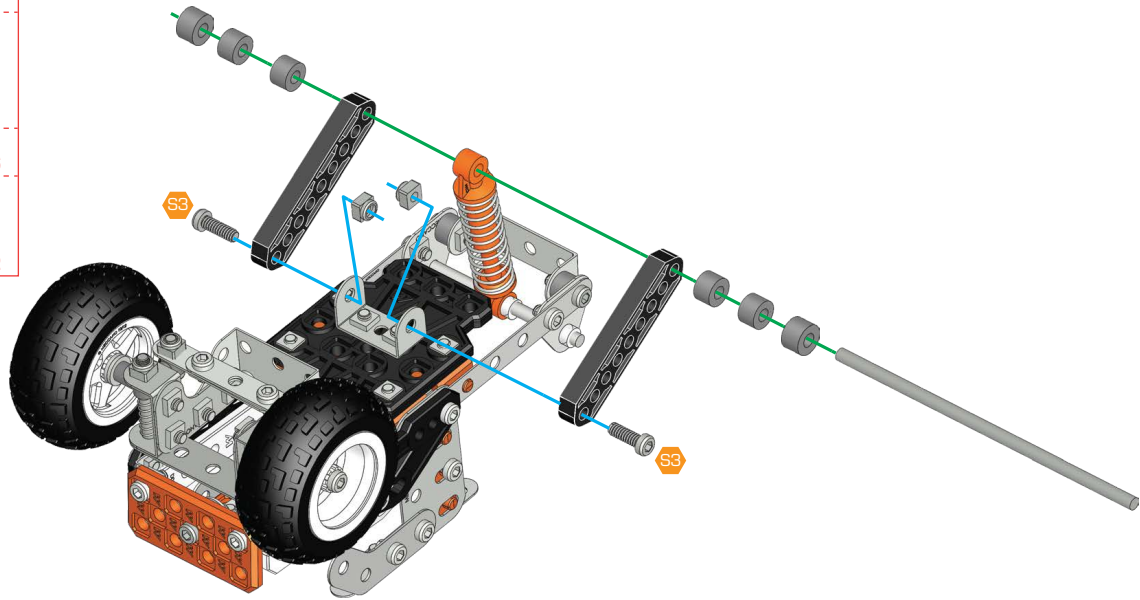


19

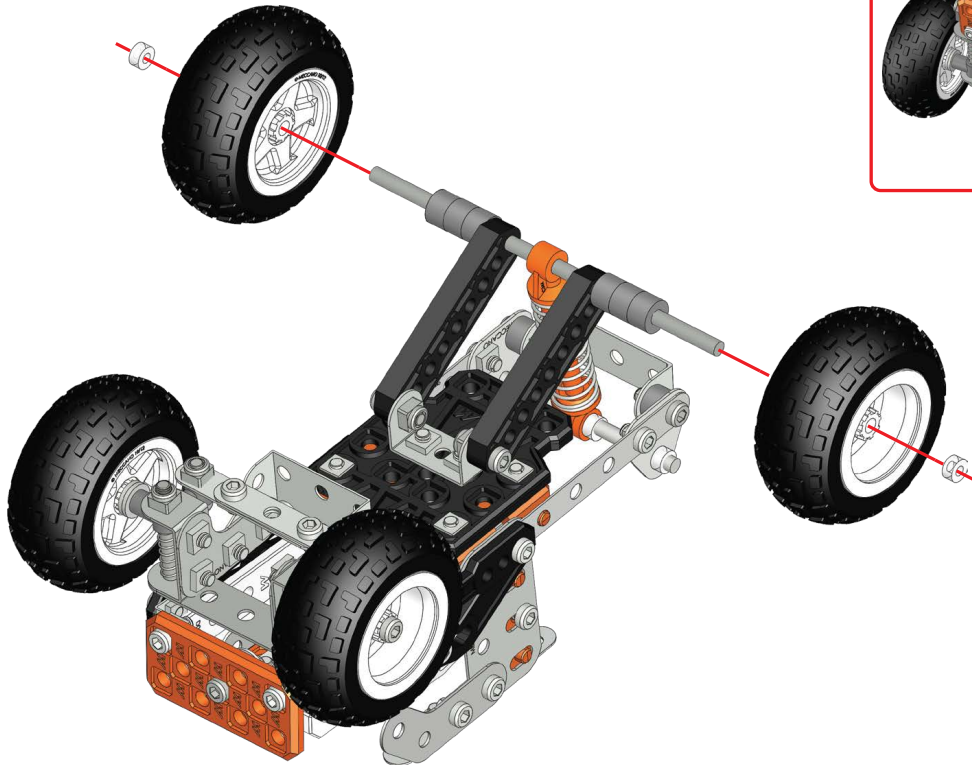


20

-  x 2
-  x 2
-  x 1
-  x 6
-  x 2



21 17+20
x 2



180°

