


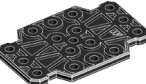
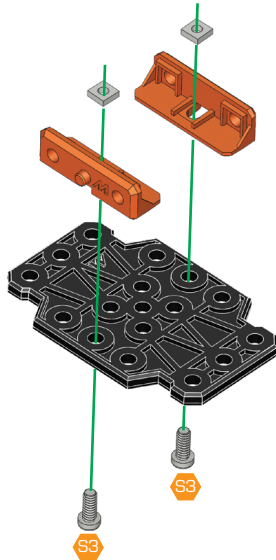

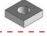

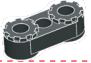



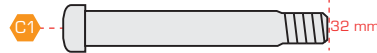
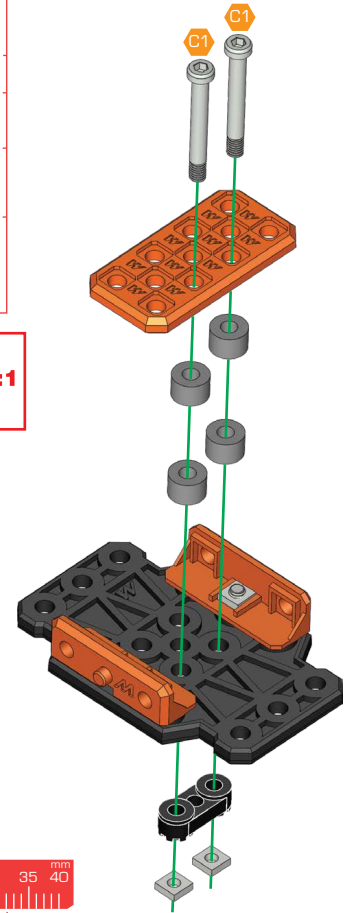
1

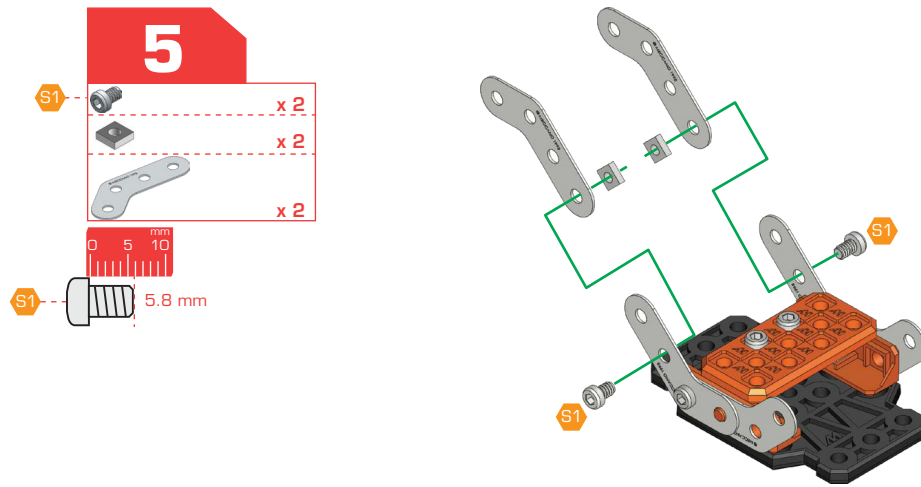
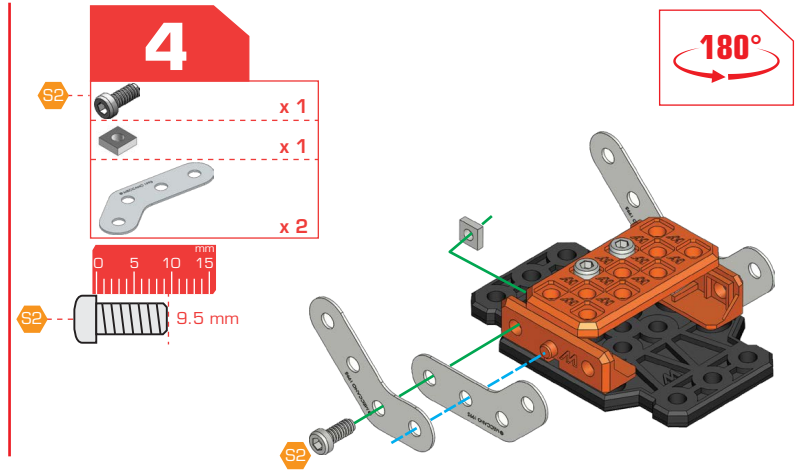
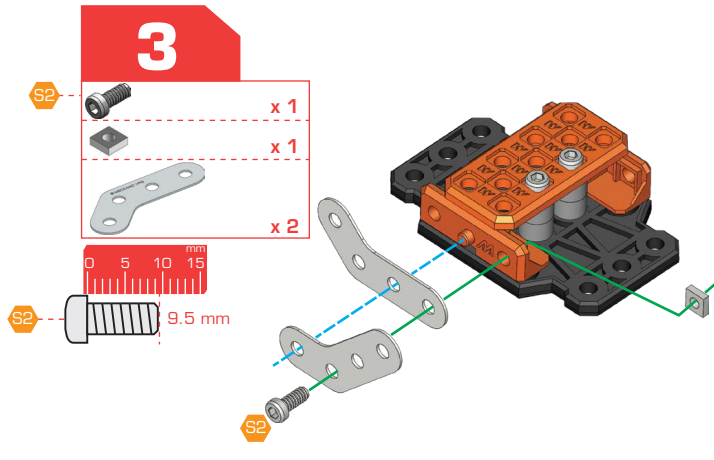
-  x 2
-  x 2
-  x 2
-  x 1







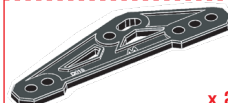
2

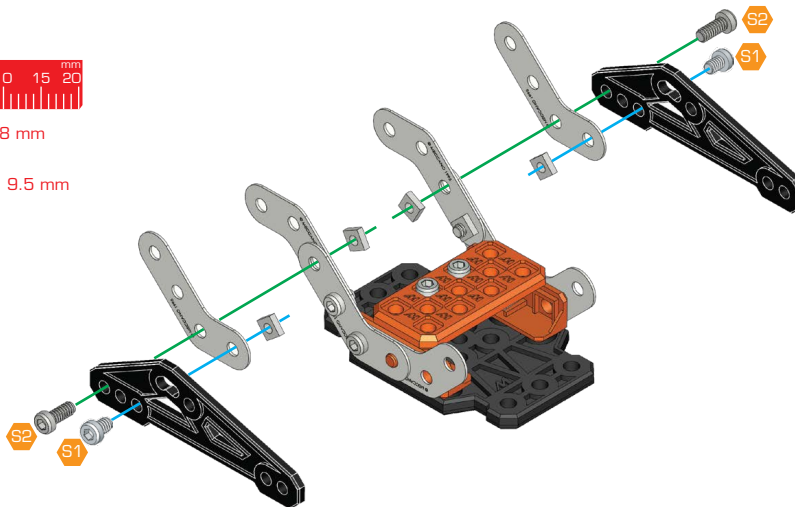
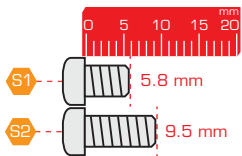
-  x 2
-  x 2
-  x 4
-  x 1
-  x 1








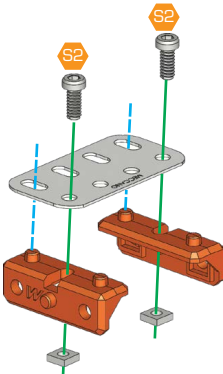
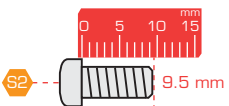
# 6

	x 2
	x 2
	x 4
	x 2
	x 2







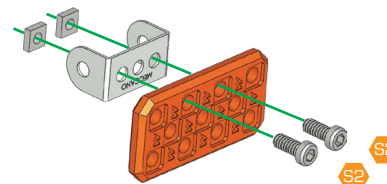
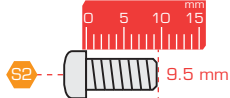
# 7

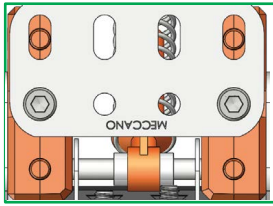
	x 2
	x 2
	x 2
	x 1



# 8

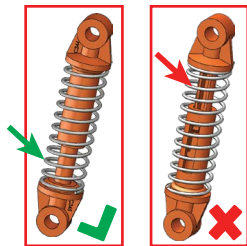
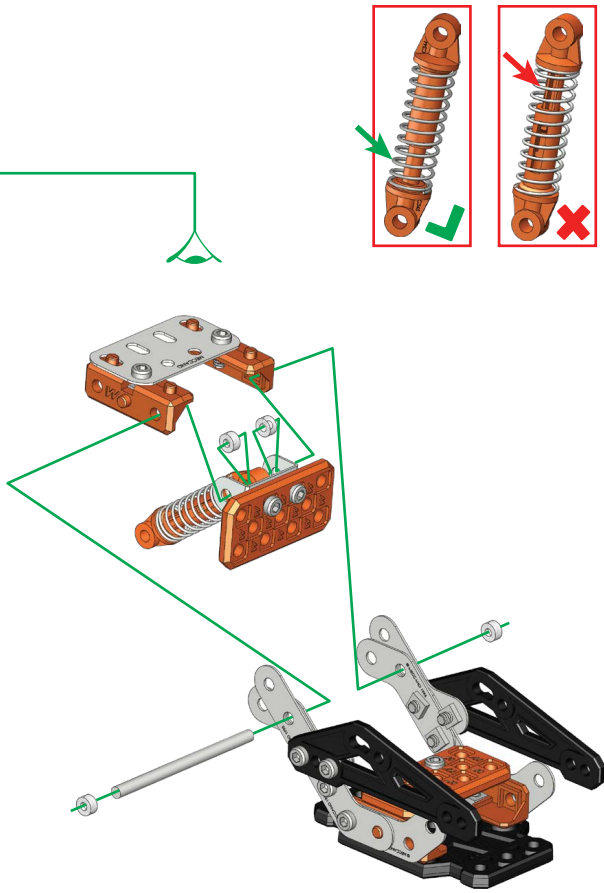
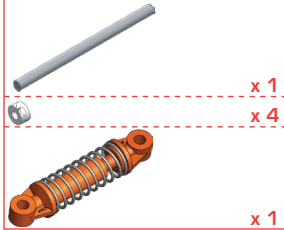
	x 2
	x 2
	x 1
	x 1



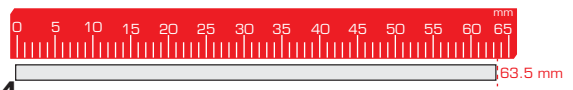
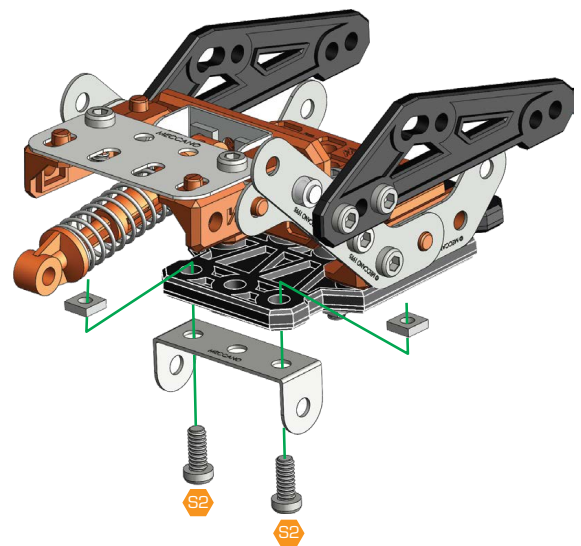
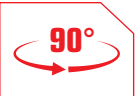
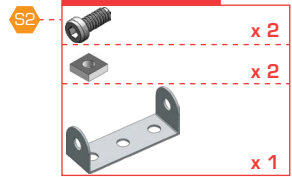


**9**








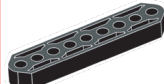
**6+7+8**

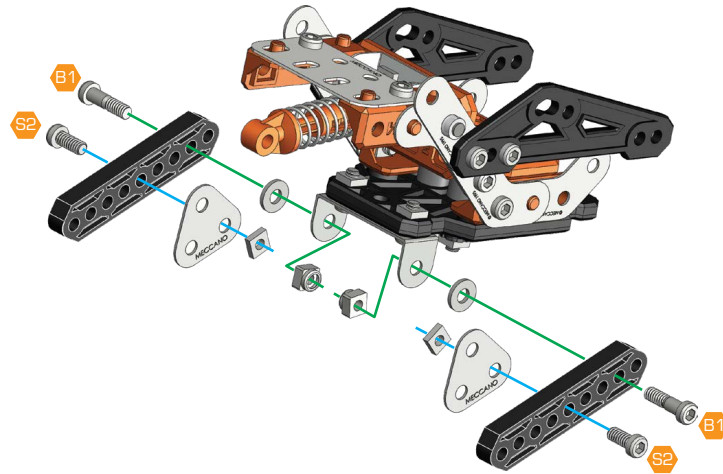
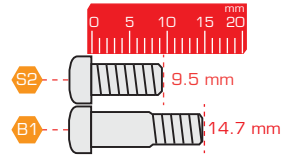
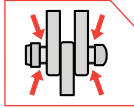


**10**







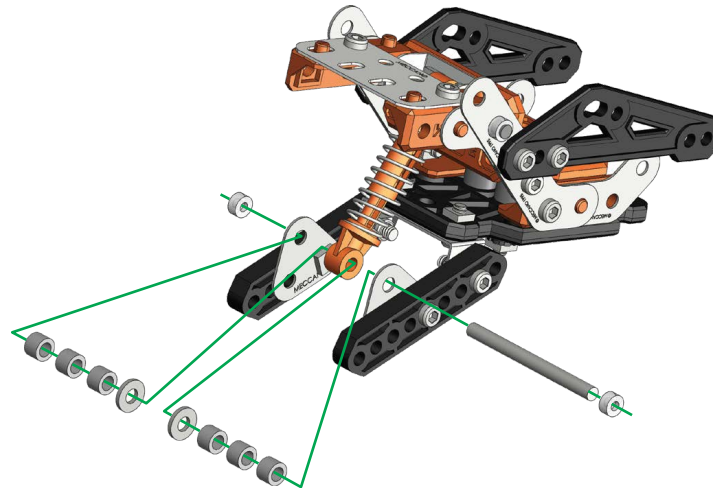
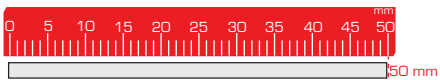
# 11

-  x 2
-  x 2
-  x 2
-  x 2
-  x 2
-  x 2
-  x 2
-  x 2

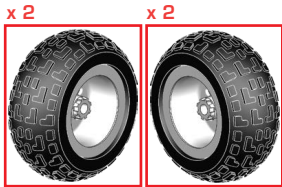


# 12

-  x 1
-  x 2
-  x 6
-  x 2

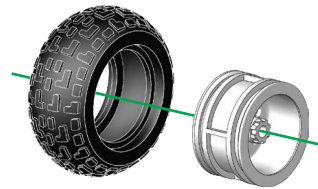
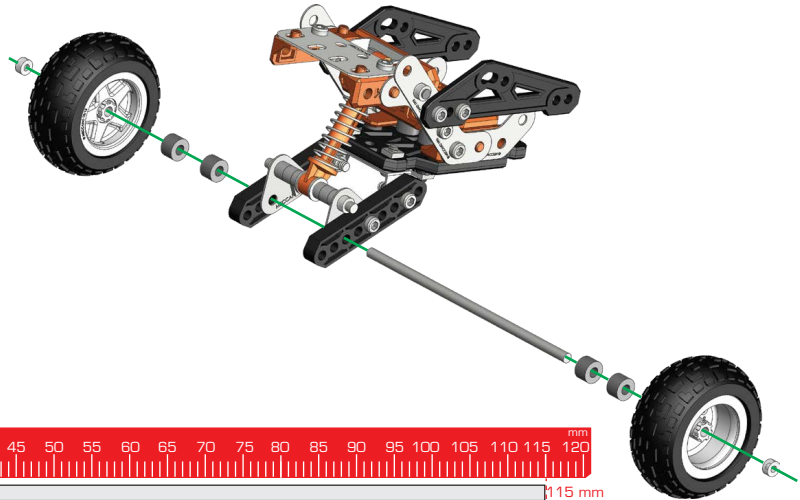
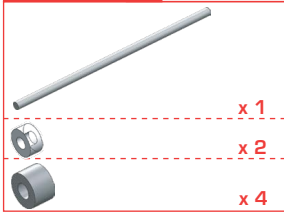


# 13

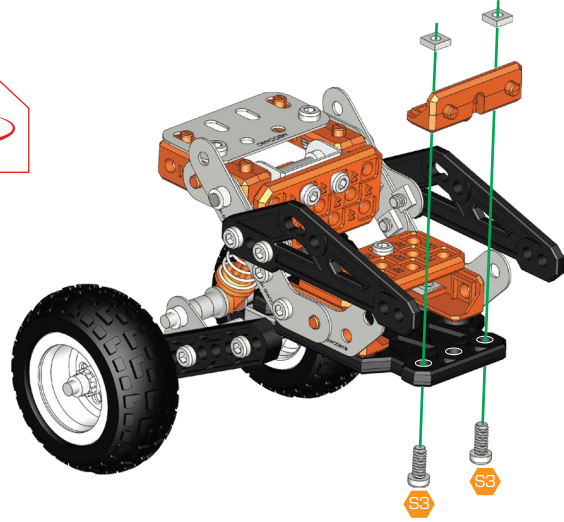
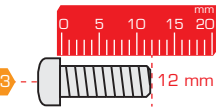
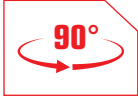
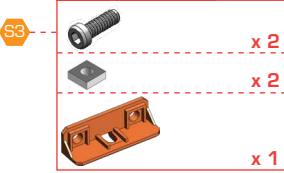


# 14

12+13

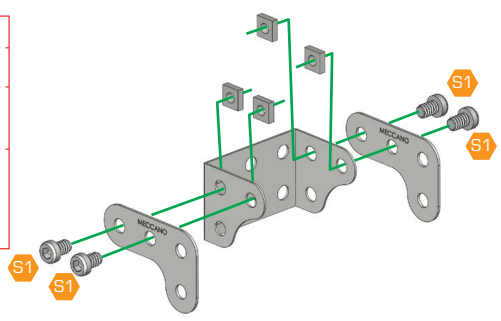
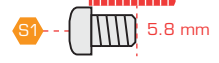


# 15



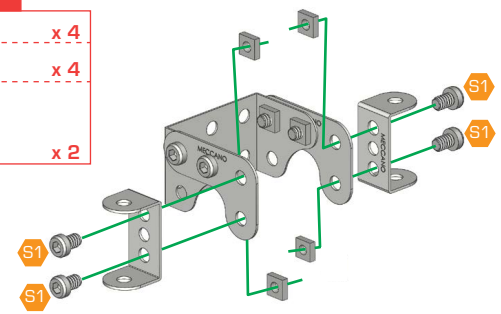
# 16

- S1 x 4
- x 4
- x 2
- x 1



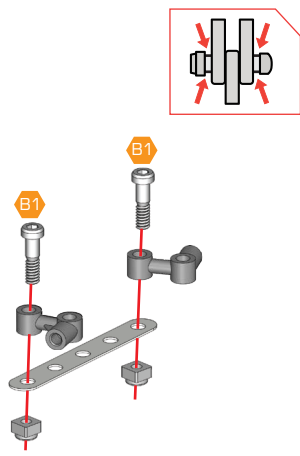
# 17

- S1 x 4
- x 4
- x 2



# 18

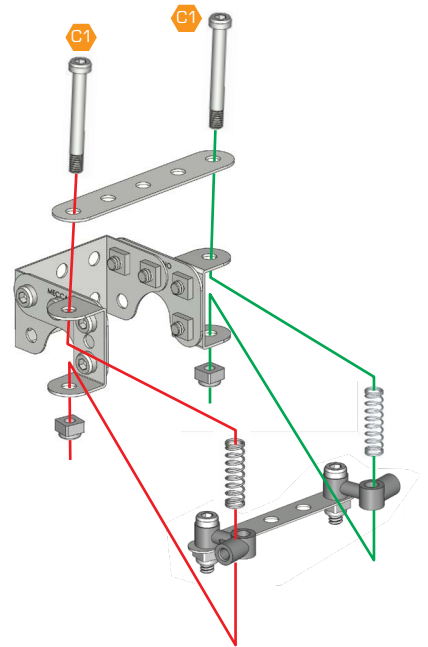
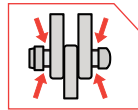
- B1 x 2
- x 2
- x 1
- x 2



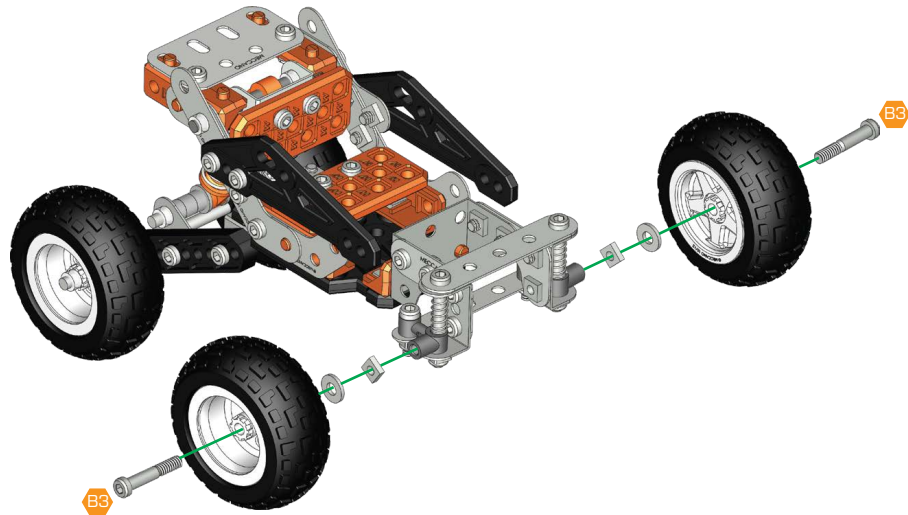
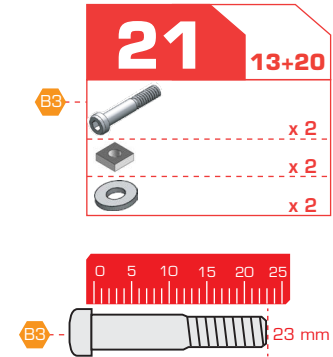
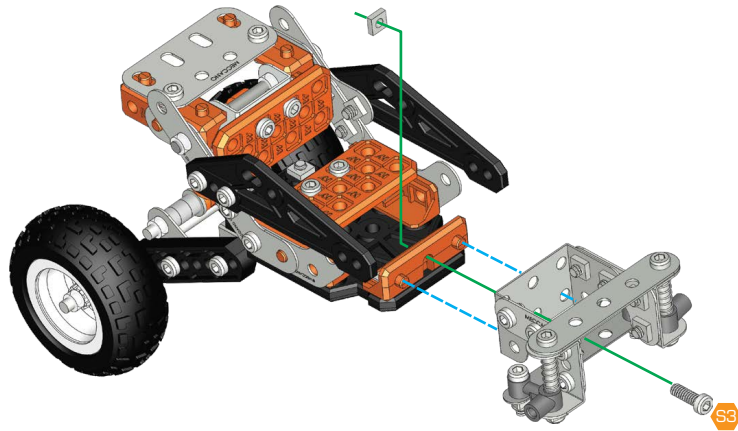
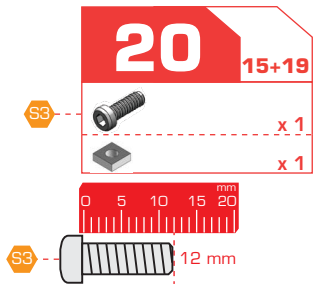
# 19

17+18

- C1 x 2
- x 2
- x 1
- x 2










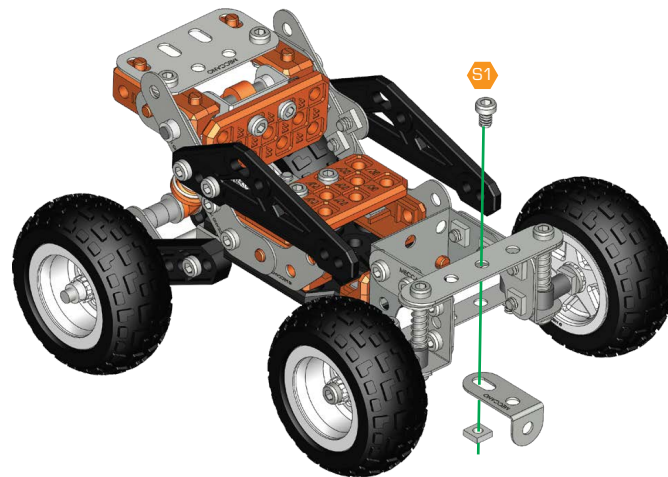








# 22


-   x 1
-  x 1
-  x 1



 5.8 mm

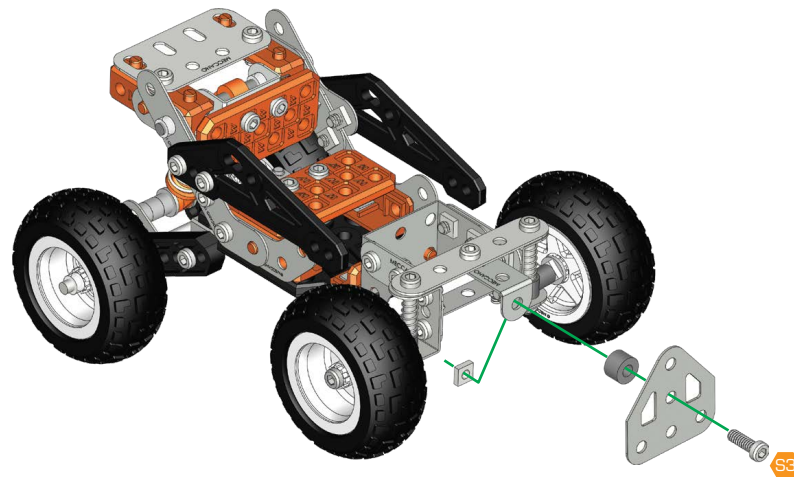


# 23






-  x 1
-  x 1
-  x 1
-  x 1

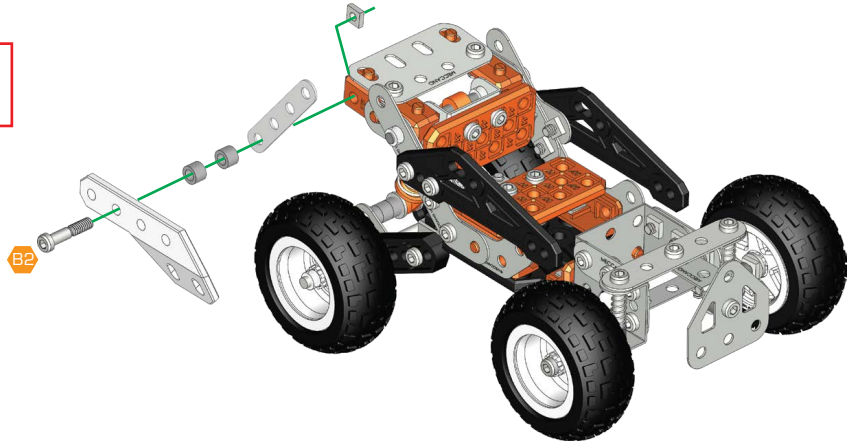
 12 mm

		<b>A238</b>	<b>1:1</b>
---	---	-------------	------------


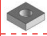




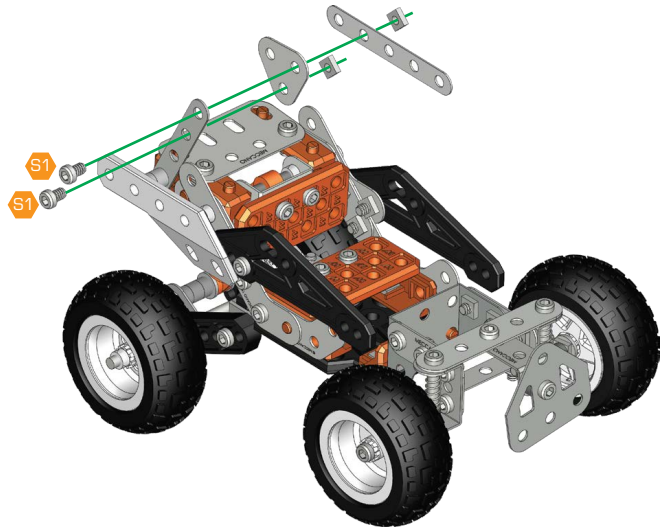
# 24

-  x 1
-  x 1
-  x 2
-  x 1
-  x 1



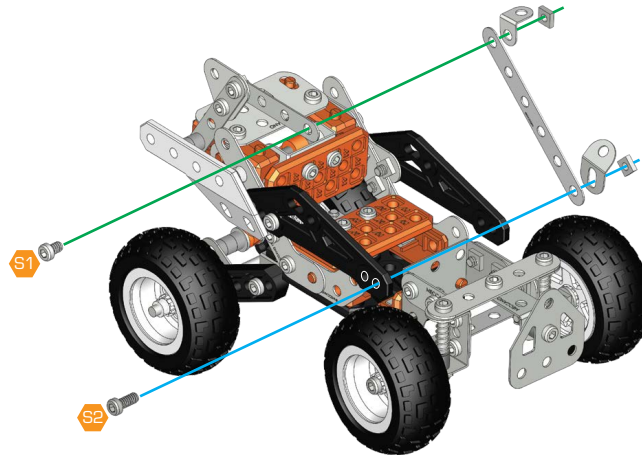
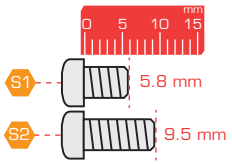
# 25

-  x 2
-  x 2
-  x 1
-  x 1



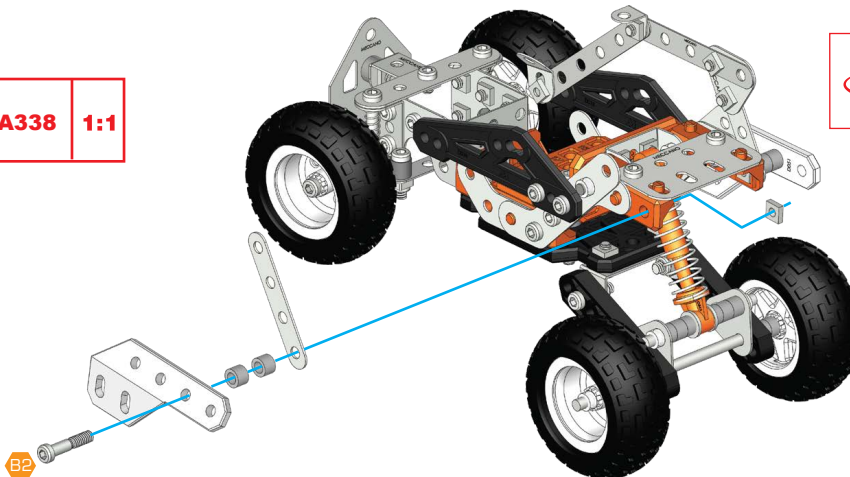
# 26

- S1 x 1
- S2 x 1
- x 2
- x 1
- x 1
- x 1








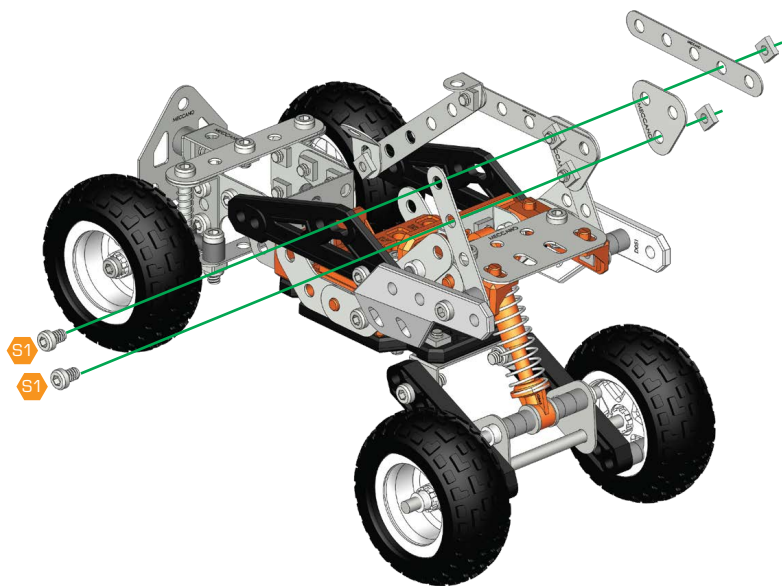
# 27

- B2 x 1
- x 1
- x 2
- x 1
- x 1










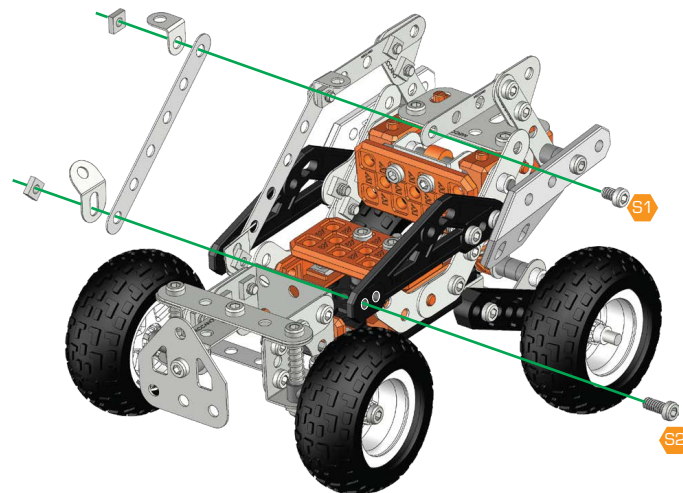
# 28

-  x 2
  -  x 2
  -  x 1
  -  x 1
-  5.8 mm






# 29

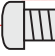
-  x 1
  -  x 1
  -  x 2
  -  x 1
  -  x 1
-  5.8 mm
-  9.5 mm
- 90°

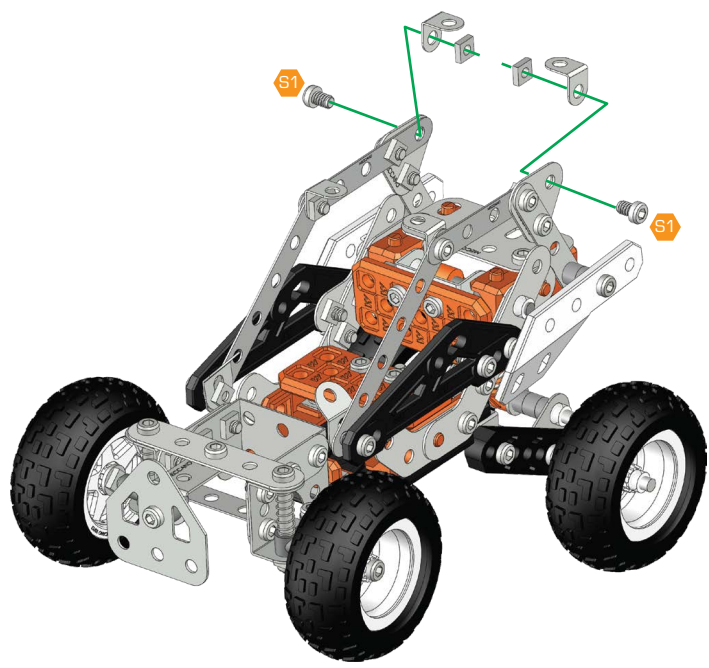


# 30



- S1  x 2
-  x 2
-  x 2

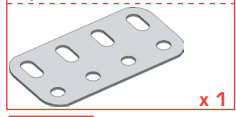


- S1  5.8 mm

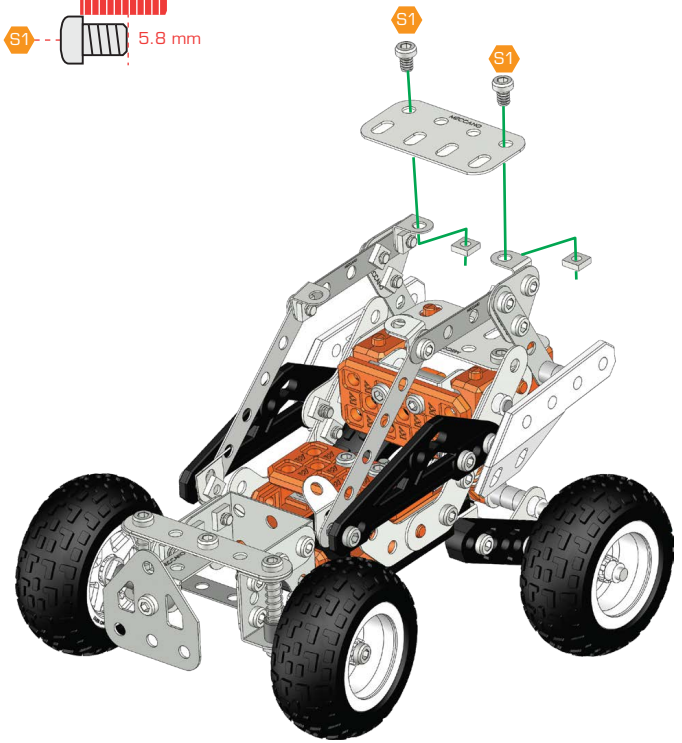


# 31

- S1  x 2
-  x 2



- S1  5.8 mm



# 32

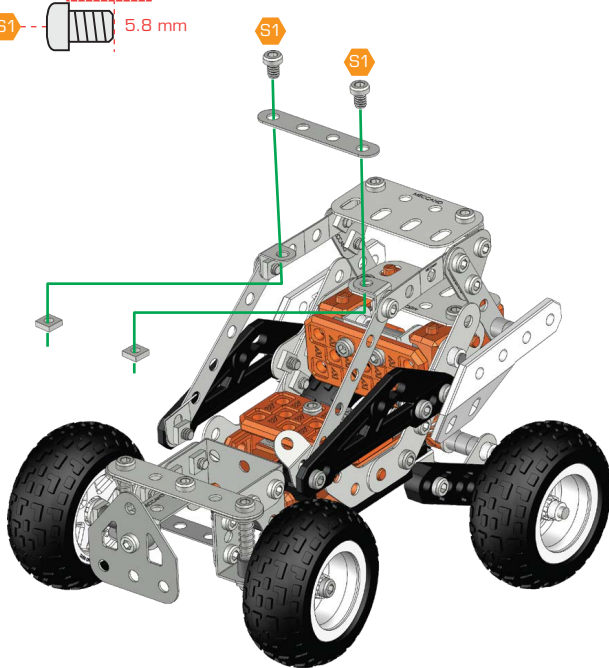
- S1 x 2
- x 2
- x 1



S1 5.8 mm

S1

S1

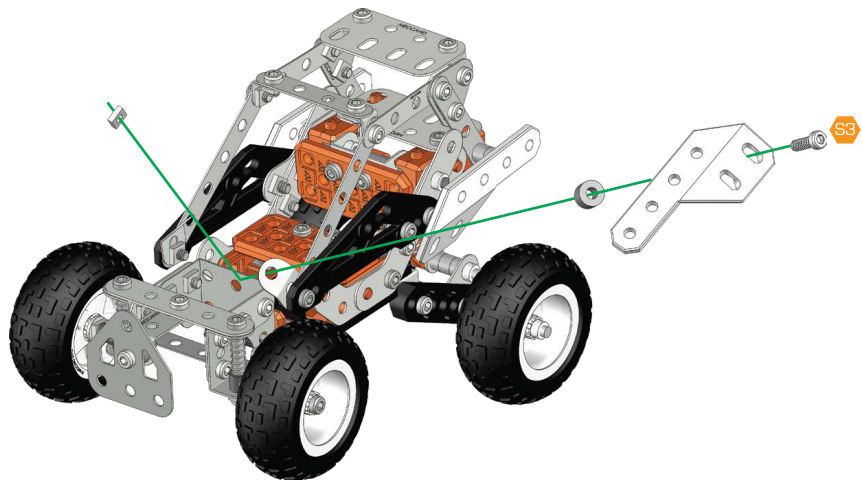


# 33

- S3 x 1
- x 1
- x 1
- x 1



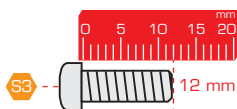
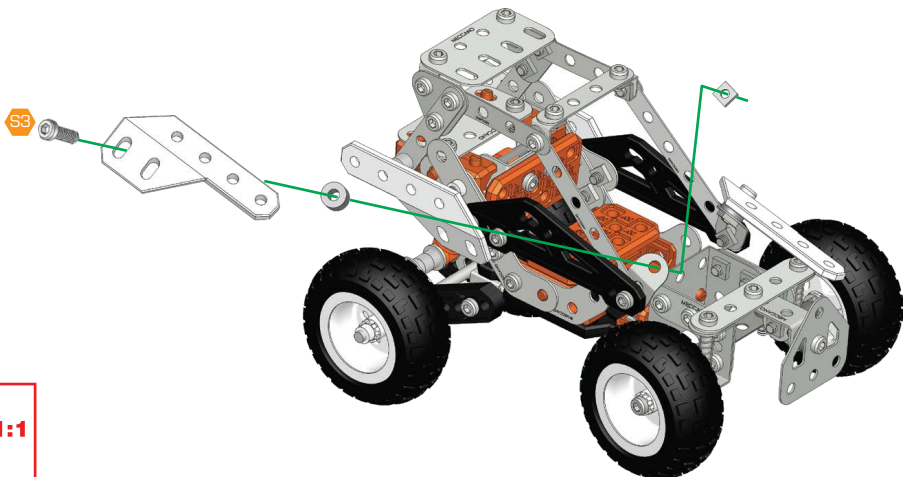
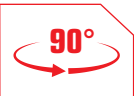
S3 12 mm





# 34

- S3 x 1
- x 1
- x 1
- x 1



	<b>A238</b>	<b>1:1</b>
--	-------------	------------

# 35

- S2 x 2
- x 2
- x 1

