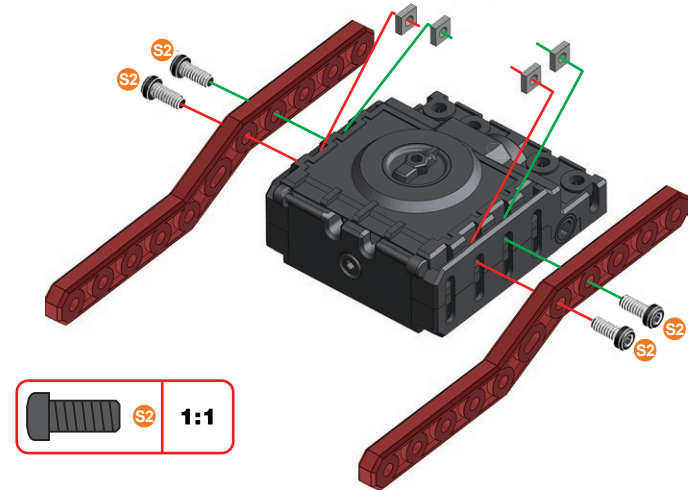


1

- 9.5 mm | 3/8" | x4
- x4
- x2
- x1

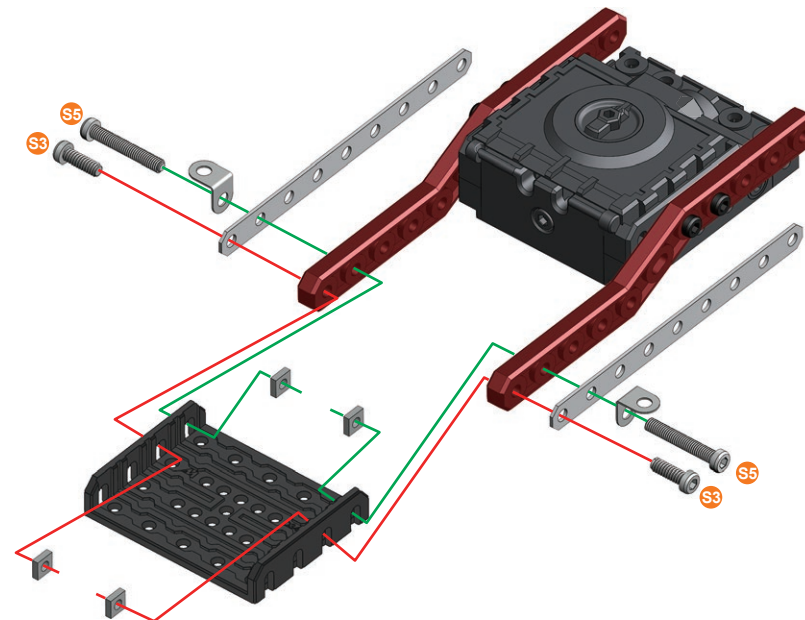


2






- 12 mm | 1/2" | x2
- 25.4 mm | 1" | x2
- x4
- x2
- x2
- x1

- x1
- x1

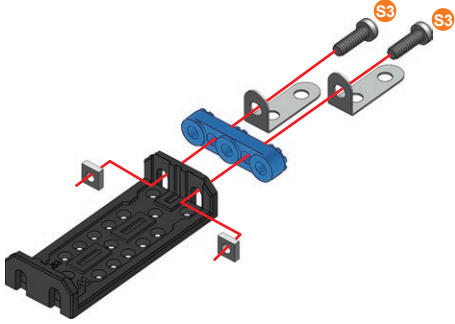
1:1



3

	12 mm 1/2"	x2
		x2
		x2
		x1
		x1

	S3	1:1
---	----	-----

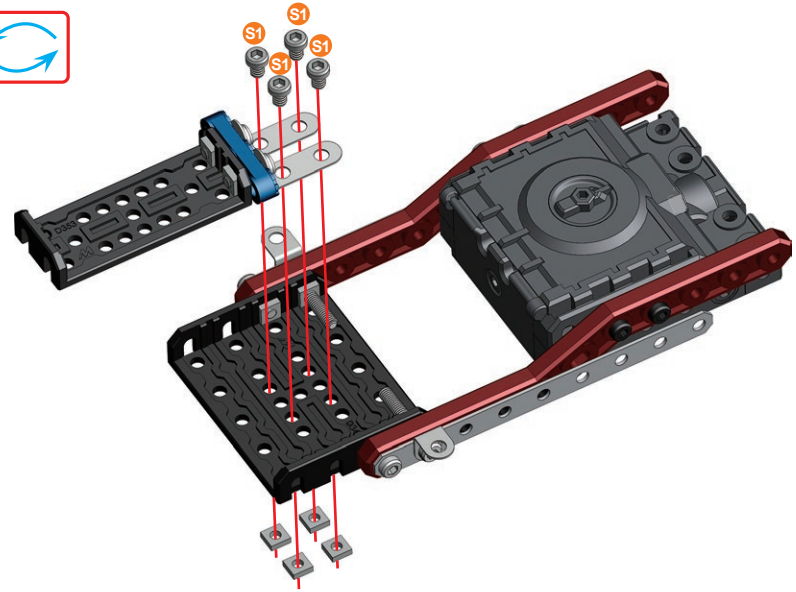
**4**


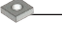


②+③+

	5.8 mm 15/64"	x4
		x4

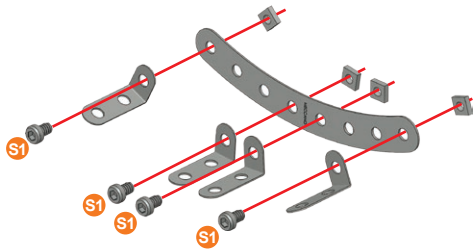


	S1	1:1
--	----	-----




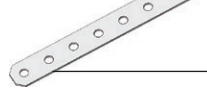
**5**

	5.8 mm 15/64"	x4
		x4
		x4
		x1

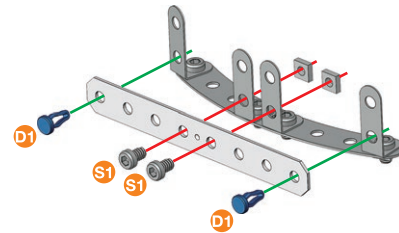
	S1	1:1
---	----	-----

**6**

⑤+

	11.25mm 7/16"	x2
	5.8 mm 15/64"	x2
		x2
		x1

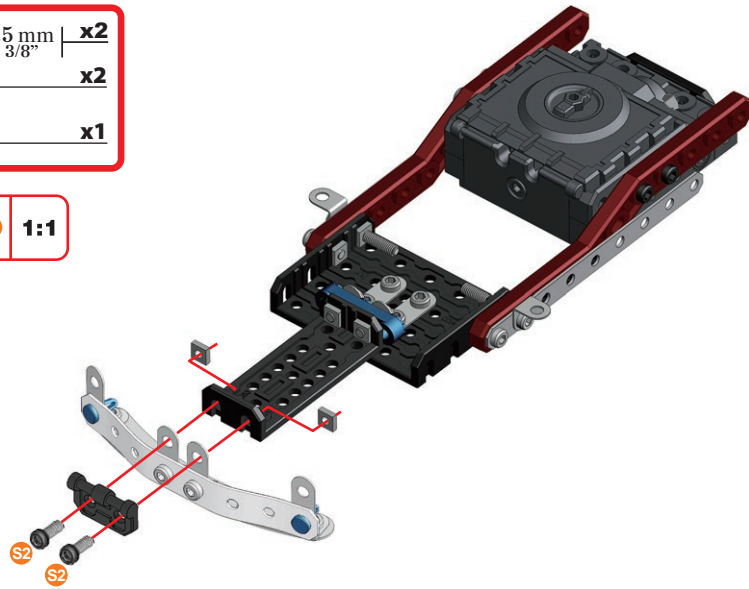
	S1	1:1
	D1	



7 ④+⑥+

	x2
	x2
	x1

	1:1
--	-----

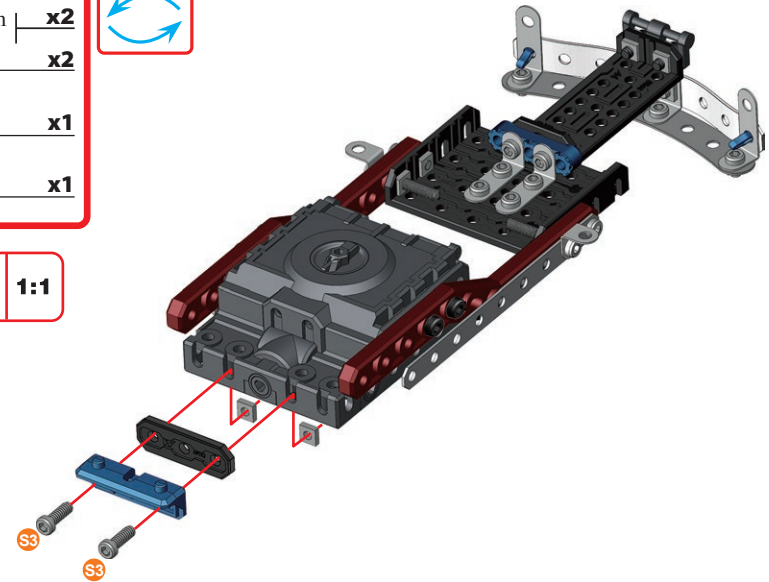


8

	x2
	x2
	x1
	x1



	1:1
--	-----



9

	x2
	x2

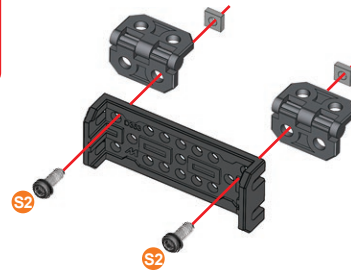
x2



10 ⑨+

	x2
	x2
	x1

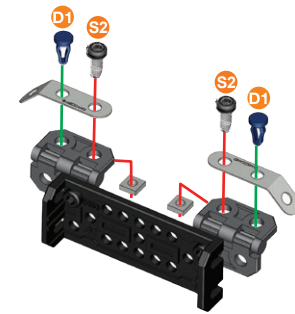
	1:1
--	-----







11

	x2
	x2
	x2
	x2

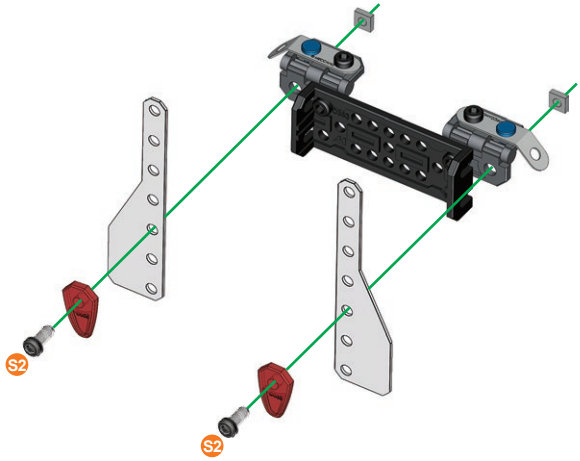
	D1
	S2
1:1	







12

-  9.5 mm | 3/8" | x2
-  x2
-  x2
-  x2

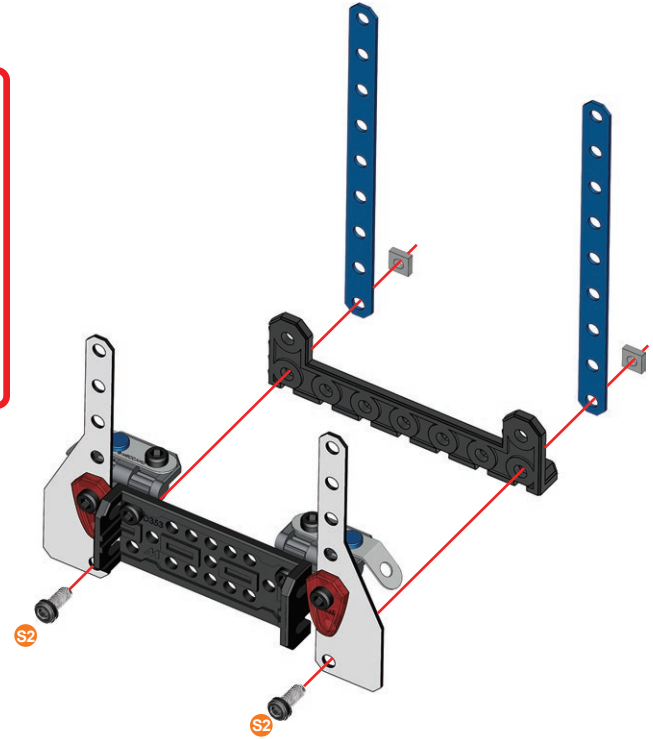
-  S2 | 1:1





13

-  9.5 mm | 3/8" | x2
-  x2
-  x1
-  x2

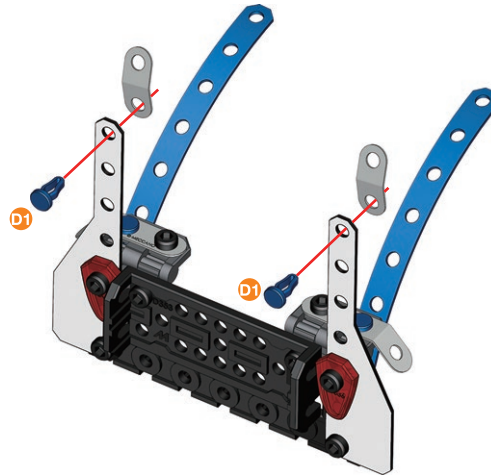
-  S2 | 1:1



14



-  D1 | 11.25mm | 7/16" | x2
-  x2

-  D1 | 1:1



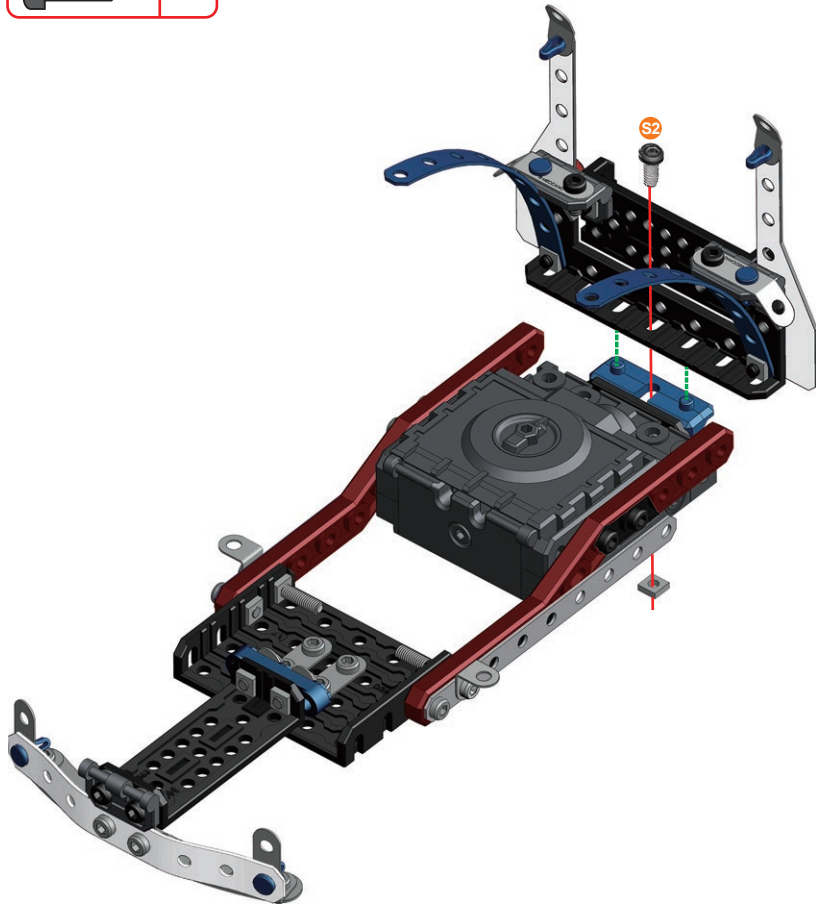
15

(8)+(14)+





	S2	9.5 mm 3/8"	x1
			x1



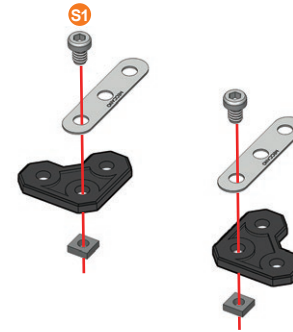
	S2	1:1
---	----	-----



16




	S1	5.8 mm 15/64"	x2
			x2
			x2
			x2

	S1	1:1
---	----	-----

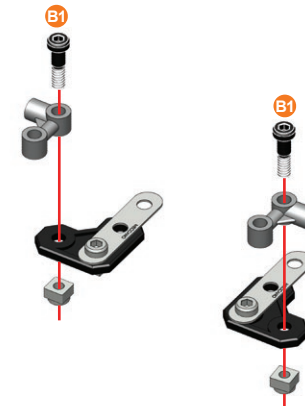


17




(16)+


	B1	14.7 mm 37/64"	x2
			x2
			x2

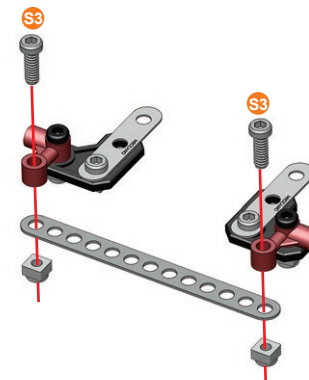
	B1	1:1
---	----	-----



18

	S3	12 mm 1/2"	x2
			x2
			x1

	S3	1:1
---	----	-----

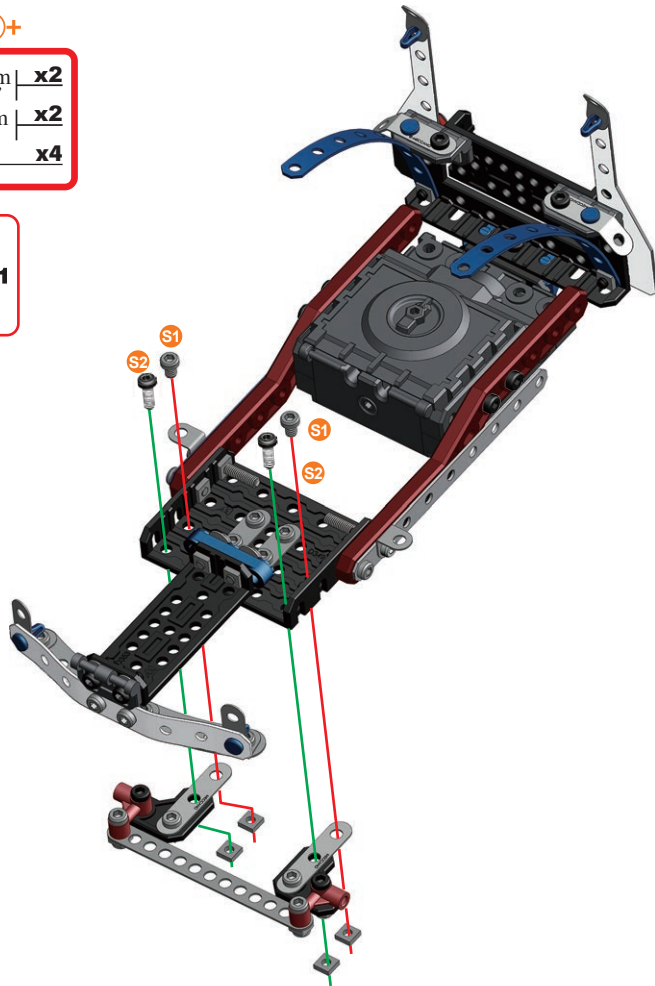


19

(15)+(18)+

	5.8 mm 15/64"	x2
	9.5 mm 3/8"	x2
		x4

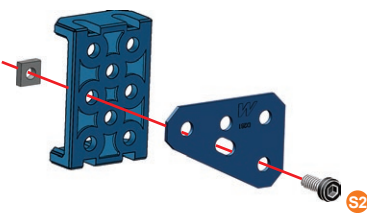
	S1	1:1
	S2	



20

	9.5 mm 3/8"	x1
		x1
		x1
		x1

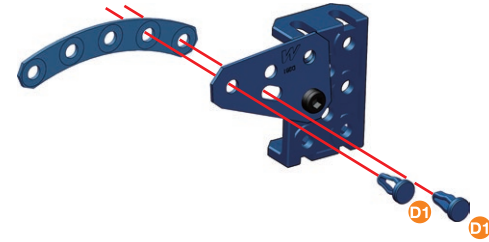
	S2	1:1
--	----	-----



21

	11.25mm 7/16"	x2
		x1

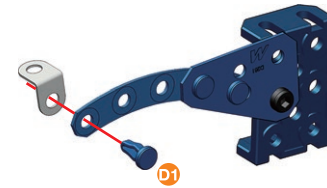
	D1	1:1
--	----	-----



22

	11.25mm 7/16"	x1
		x1

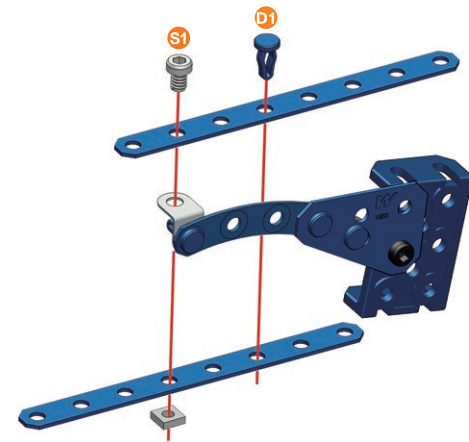
	D1	1:1
--	----	-----





23


	11.25mm 7/16"	x1
	5.8 mm 15/64"	x1
		x1
		x2

	D1	1:1
	S1	

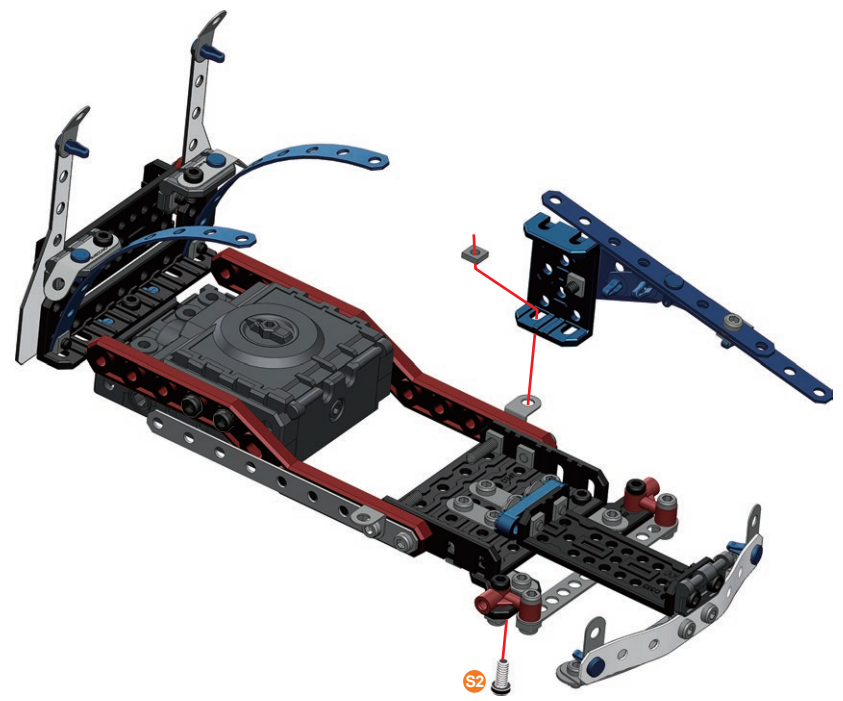


24 (19)+(23)+




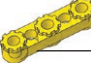
	9,5 mm 3/8"	x1
		x1






	1:1
---	-----

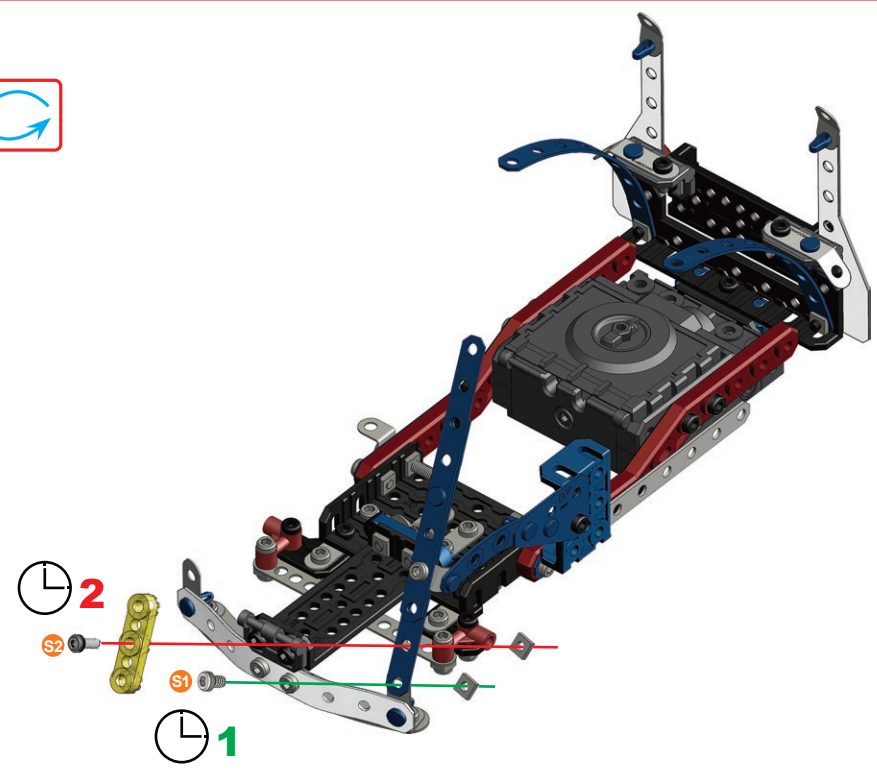


25





	5,8 mm 15/64"	x1
	9,5 mm 3/8"	x1
		x2
		x1

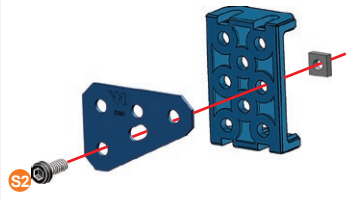


	1:1
	





26

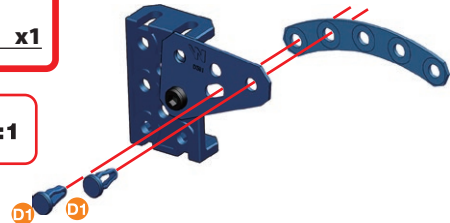
	9.5 mm 3/8"	x1
		x1
		x1
		x1



	1:1
---	-----



27

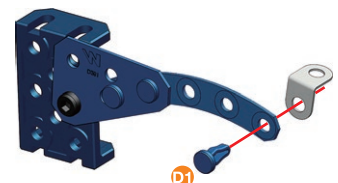
	11.25 mm 7/16"	x2
		x1



	1:1
---	-----

28

	11.25 mm 7/16"	x1
		x1



	1:1
---	-----

29



	11.25 mm 7/16"	x1
	5.8 mm 15/64"	x1
		x1

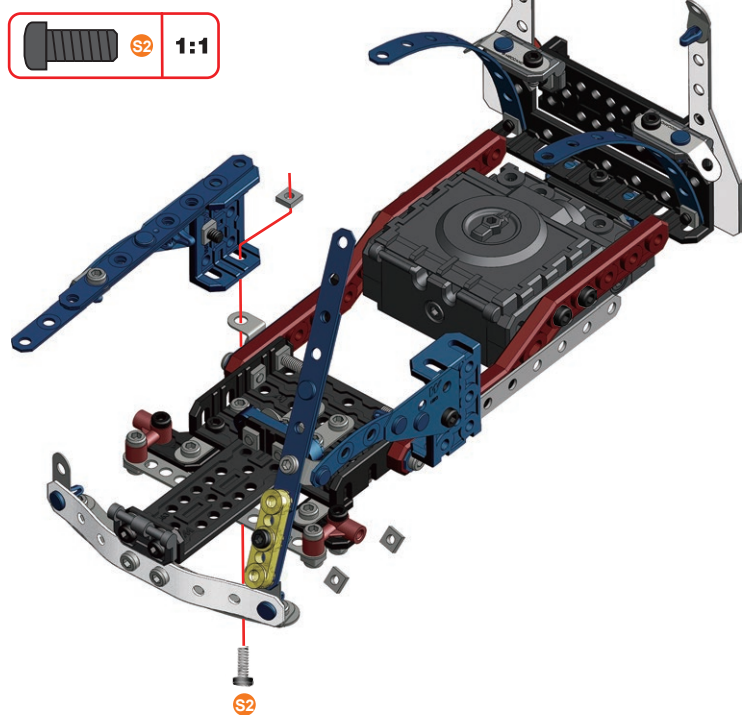
	x2
---	----



	1:1
	




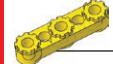
30 (25)+(29)+

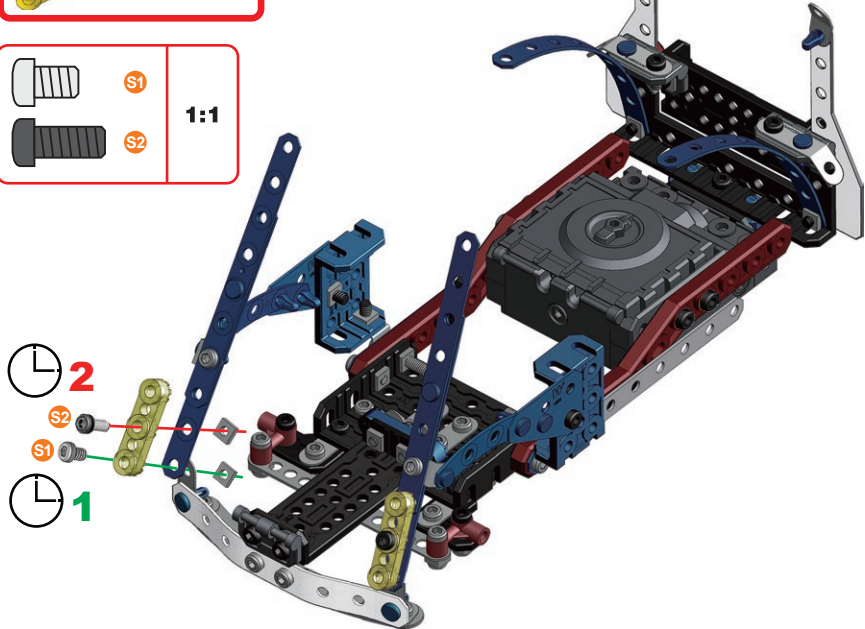
	9.5 mm 3/8"	x1
		x1




	1:1
---	-----

31

	5.8 mm 15/64"	x1
	9.5 mm 3/8"	x1
		x2
		x1



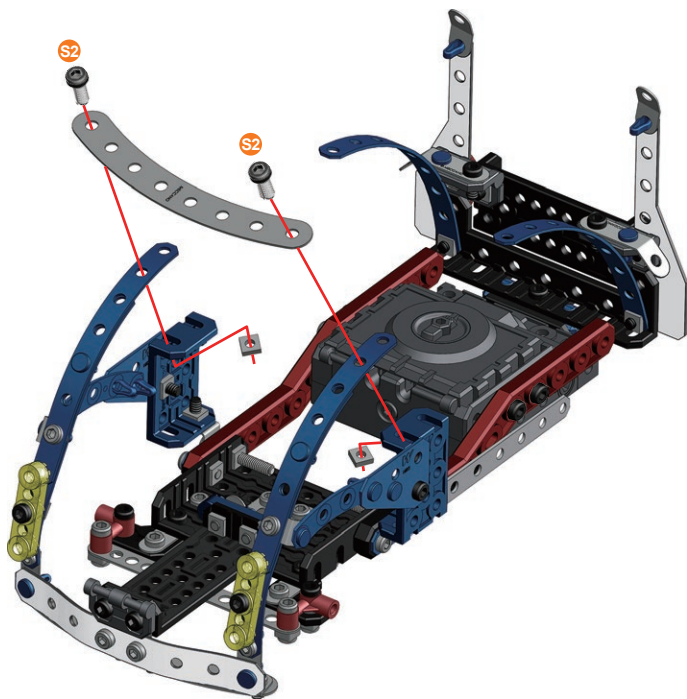
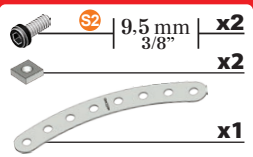
	1:1
	

2

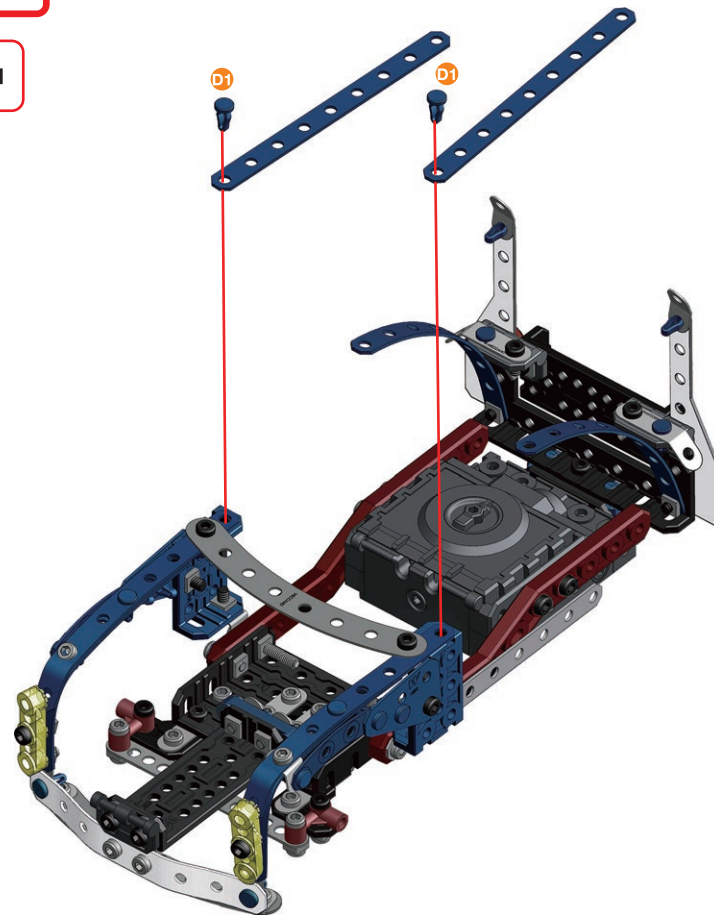
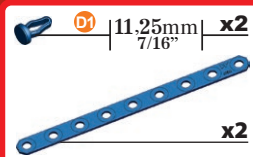
1



32

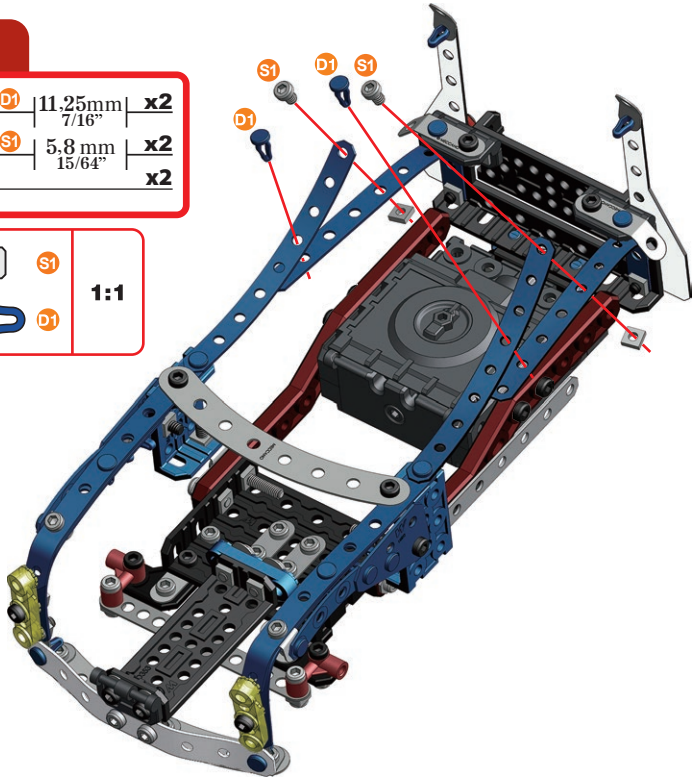


33



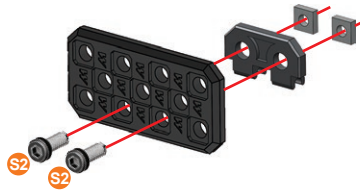
- 34**
- | | | | |
|--|----|-------------------|----|
| | D1 | 11.25 mm
7/16" | x2 |
| | S1 | 5.8 mm
15/64" | x2 |
| | S1 | | x2 |

- | | | |
|--|----|-----|
| | S1 | 1:1 |
| | D1 | |



- 35**
- | | | | |
|--|----|----------------|----|
| | S2 | 9.5 mm
3/8" | x2 |
| | S2 | | x2 |
| | | | x1 |
| | | | x1 |

- | | | |
|--|----|-----|
| | S2 | 1:1 |
|--|----|-----|

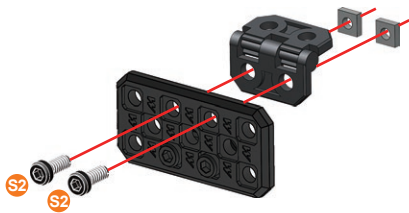


- 36**
- | | | |
|--|--|----|
| | | x1 |
| | | x1 |



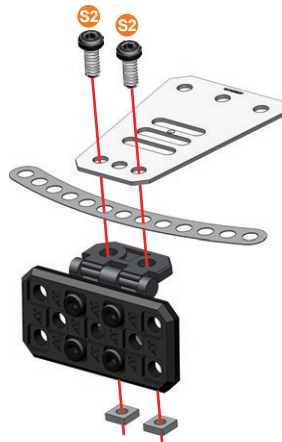
- 37** (35)+(36)+
- | | | | |
|--|----|----------------|----|
| | S2 | 9.5 mm
3/8" | x2 |
| | S2 | | x2 |

- | | | |
|--|----|-----|
| | S2 | 1:1 |
|--|----|-----|



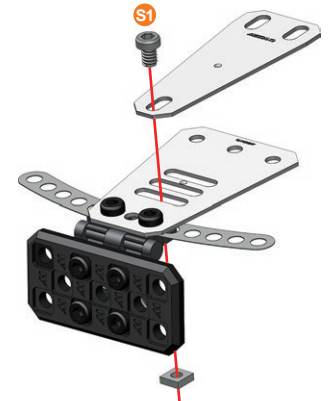
- 38**
- | | | | |
|--|----|----------------|----|
| | S2 | 9.5 mm
3/8" | x2 |
| | S2 | | x2 |
| | | | x1 |
| | | | x1 |

- | | | |
|--|----|-----|
| | S2 | 1:1 |
|--|----|-----|



- 39**
- | | | | |
|--|----|------------------|----|
| | S1 | 5.8 mm
15/64" | x1 |
| | S1 | | x1 |
| | | | x1 |

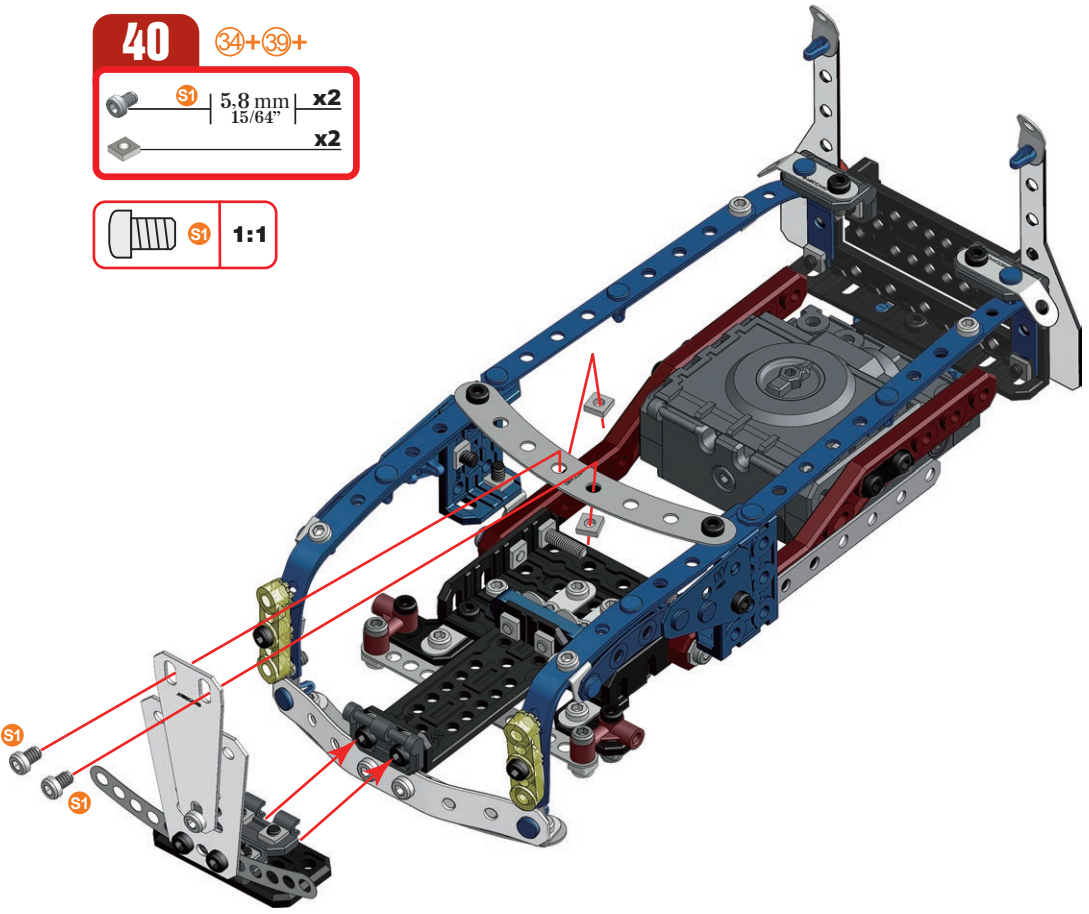
- | | | |
|--|----|-----|
| | S1 | 1:1 |
|--|----|-----|



40 (34)+(39)+

	5.8 mm 15/64"	x2
		x2

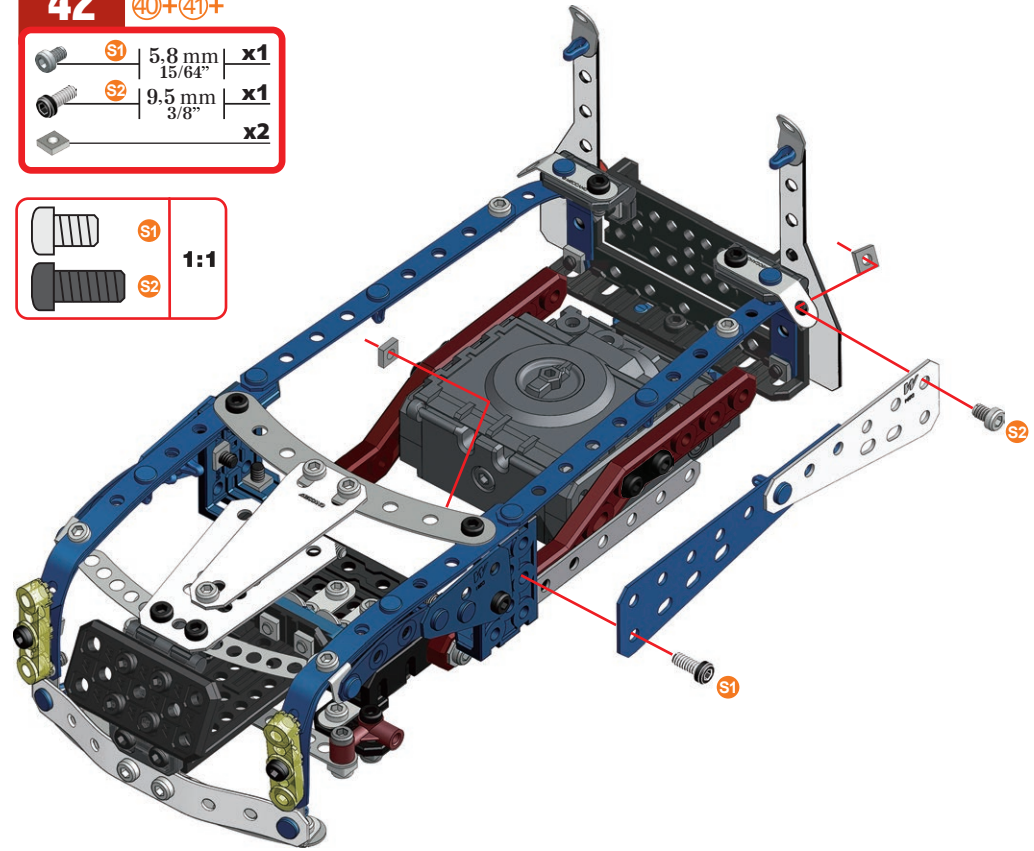
	S1	1:1
--	----	-----



42 (40)+(41)+

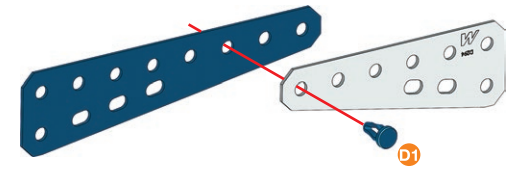
	5.8 mm 15/64"	x1
	9.5 mm 3/8"	x1
		x2

	S1	1:1
	S2	



41

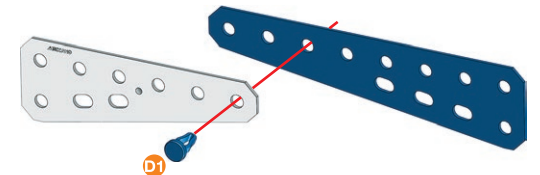
	11.25mm 7/16"	x1
		x1
		x1



	D1	1:1
--	----	-----

43

	11.25mm 7/16"	x1
		x1
		x1



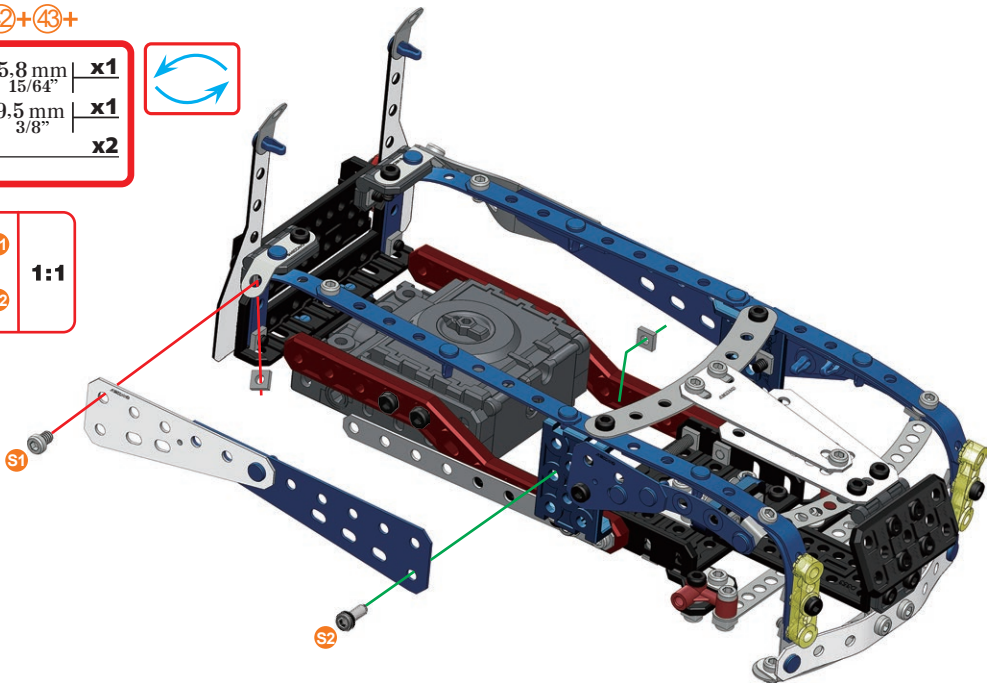
	D1	1:1
--	----	-----

44 (42)+(43)+

	5.8 mm 15/64"	x1
	9.5 mm 3/8"	x1
		x2



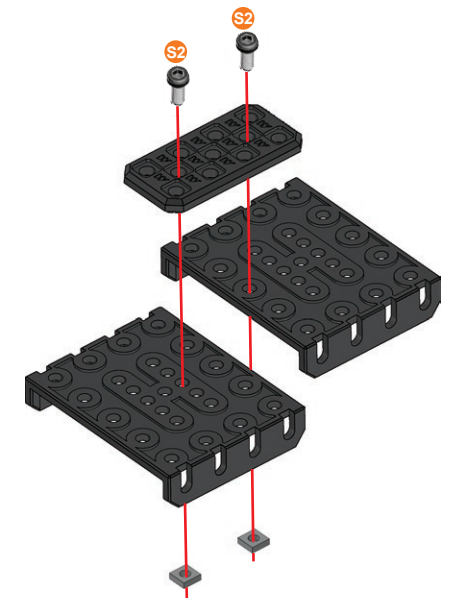
	S1	1:1
	S2	



45

	9.5 mm 3/8"	x2
		x2
		x1
		x2

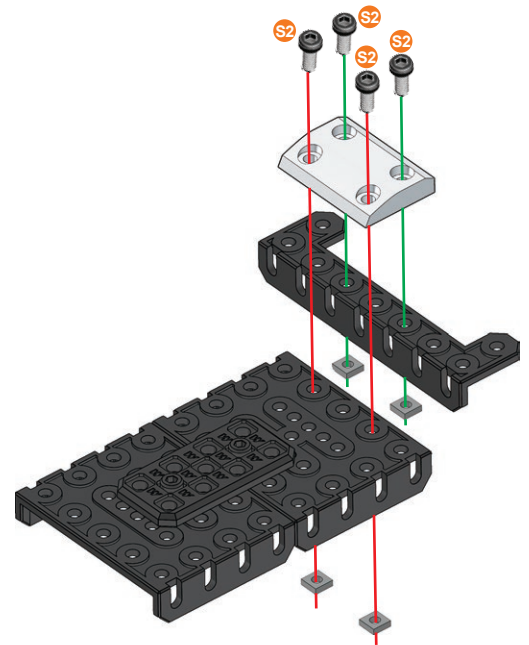
	S2	1:1
--	----	-----



46

	9.5 mm 3/8"	x4
		x4
		x1
		x1

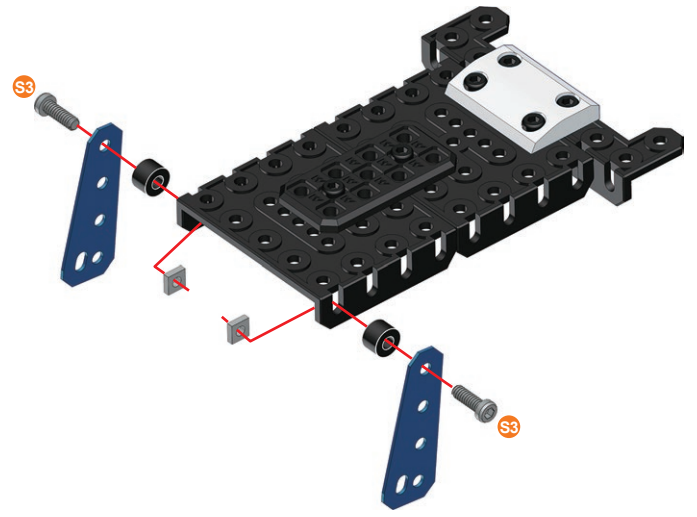
	S2	1:1
--	----	-----



47



	12 mm 1/2"	x2
		x2
		x2
		x2

	S3	1:1
	A238	



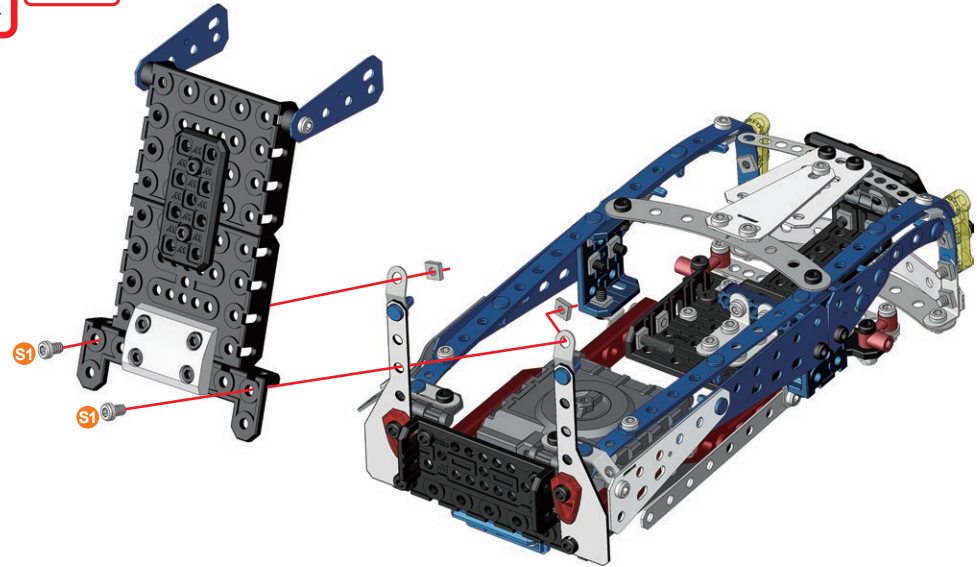
48

44+47+




	S1 5.8 mm x2
	x2



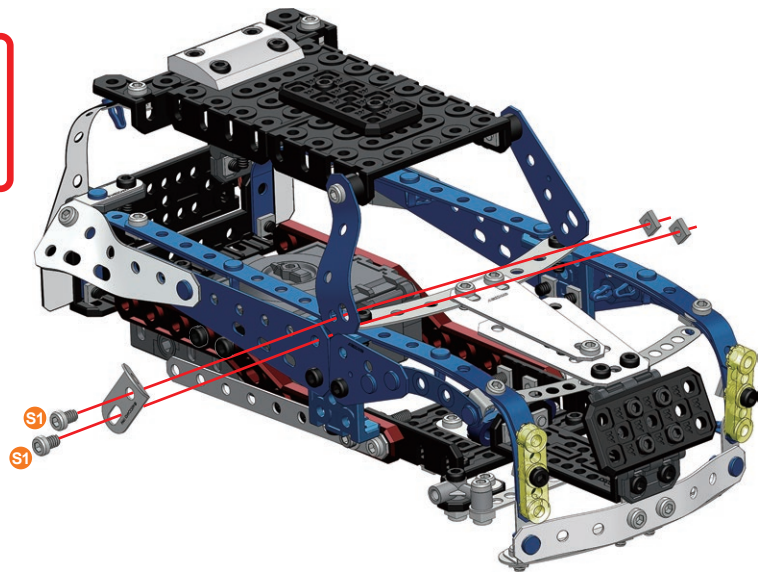
	S1 1:1
---	----------






49

	S1 5.8 mm x2
	x2
	x1

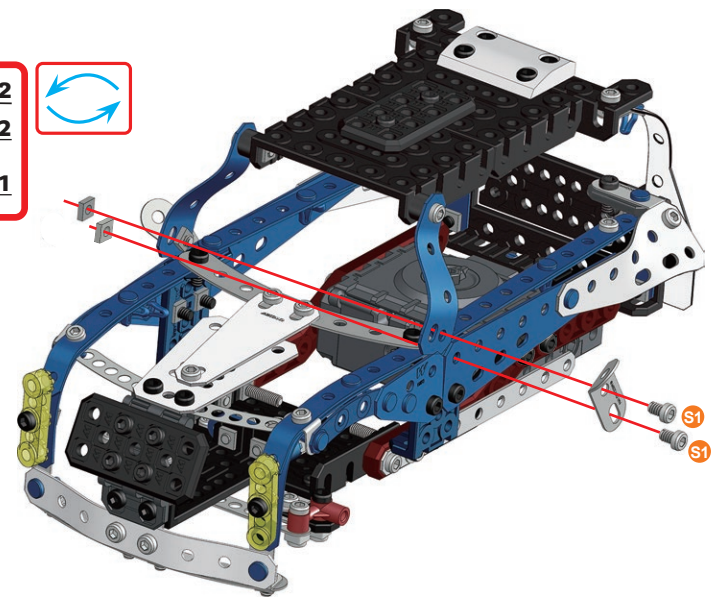
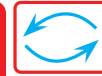
	S1 1:1
---	----------



50

	S1 5.8 mm x2
	x2
	x1

	S1 1:1
---	----------




51




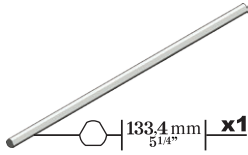
	x4
	x4

x2

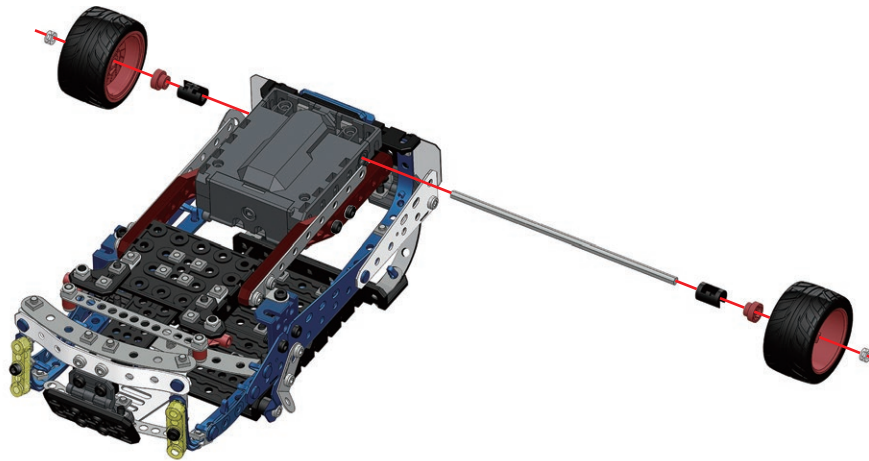
x2






52 (51)+(51)+

	x2
	x2
	x2
	x1

133,4 mm
5 1/4"

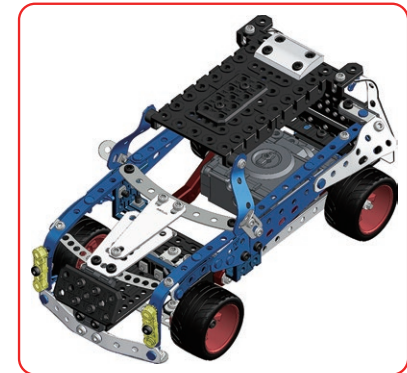
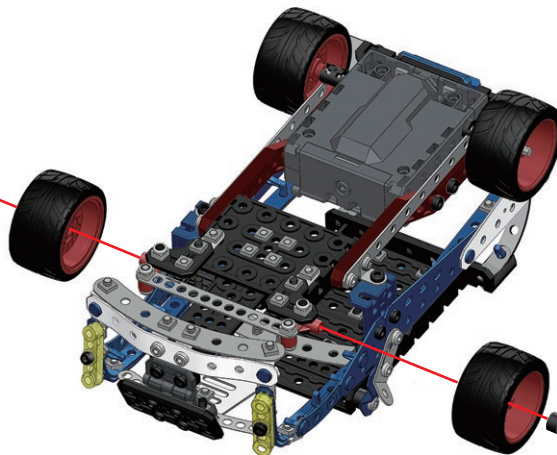


53 (51)+(52)+

	23 mm 15/16"	x2
		x2

	B3	1:1
	A238	

B3



B3