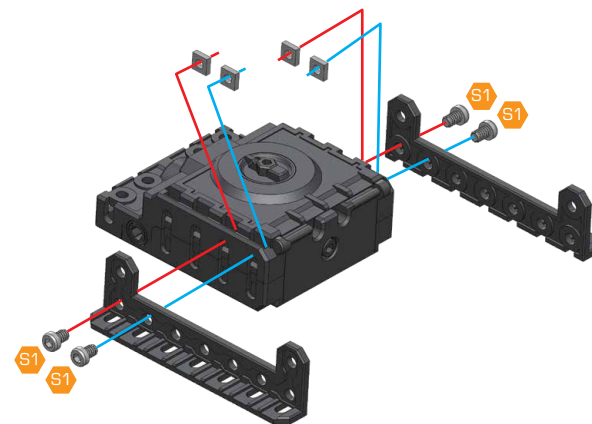
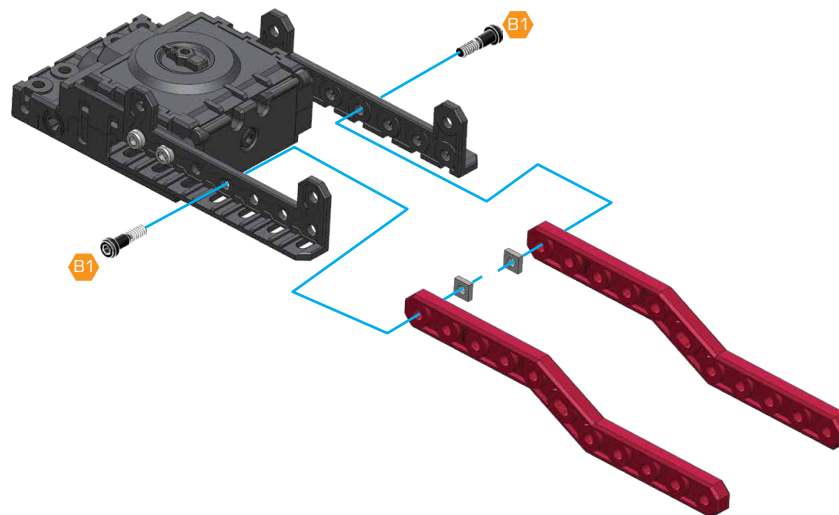
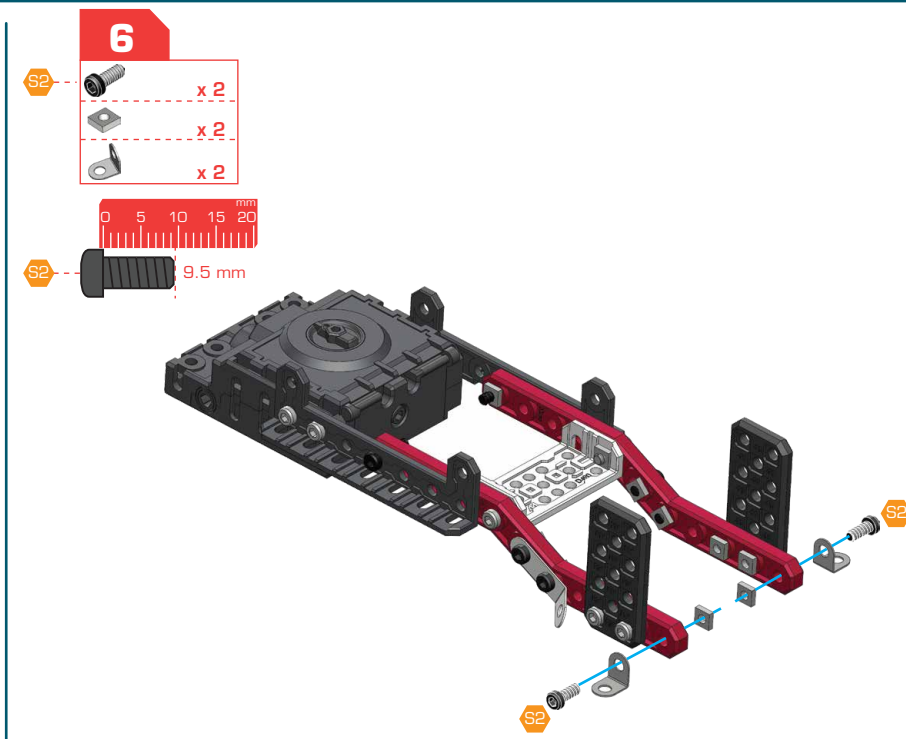
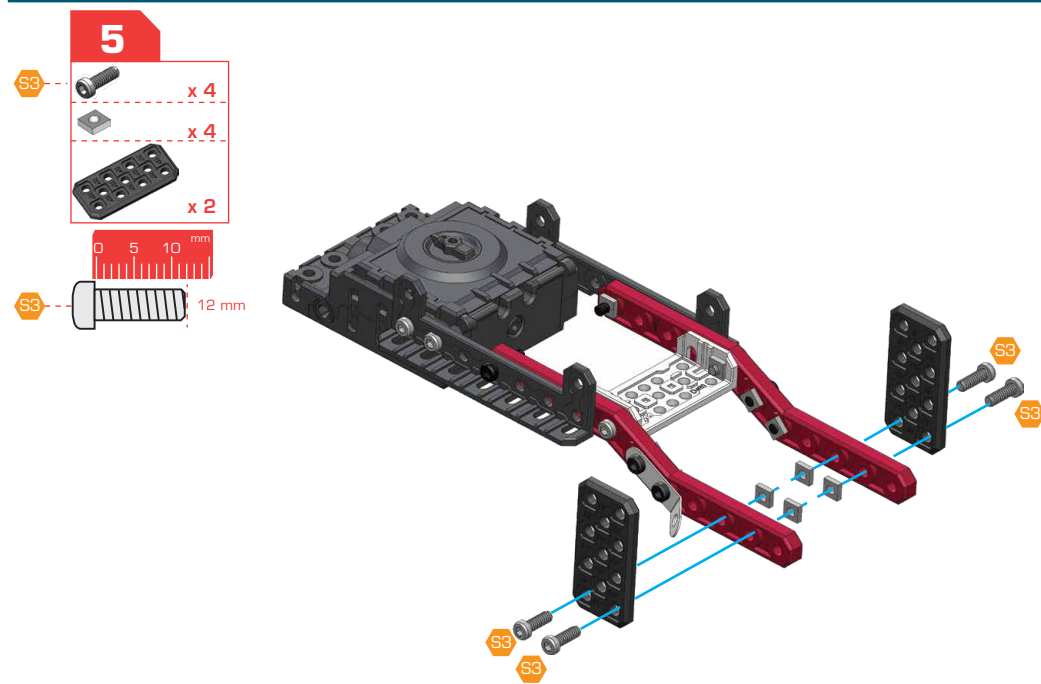
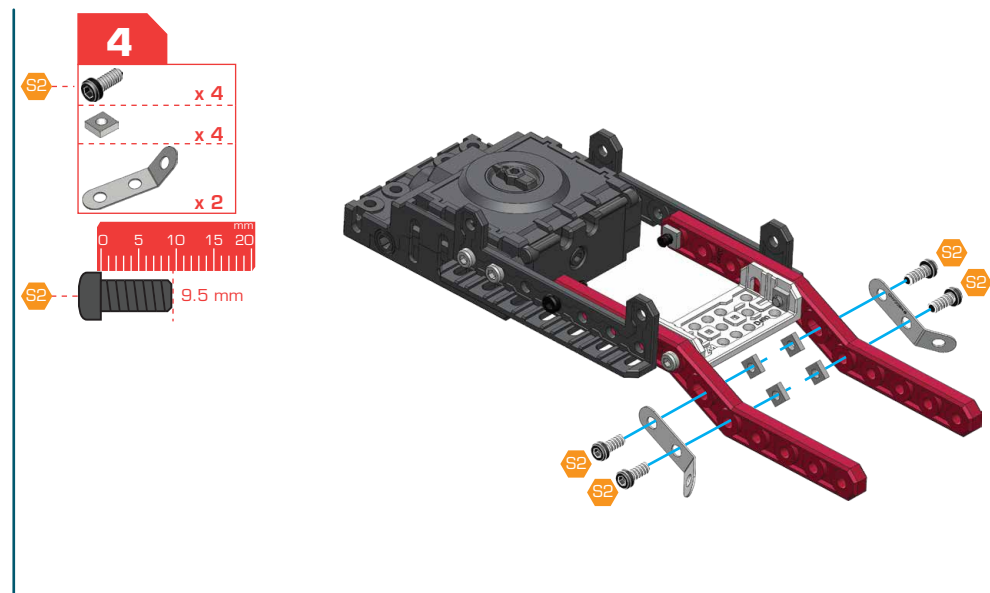
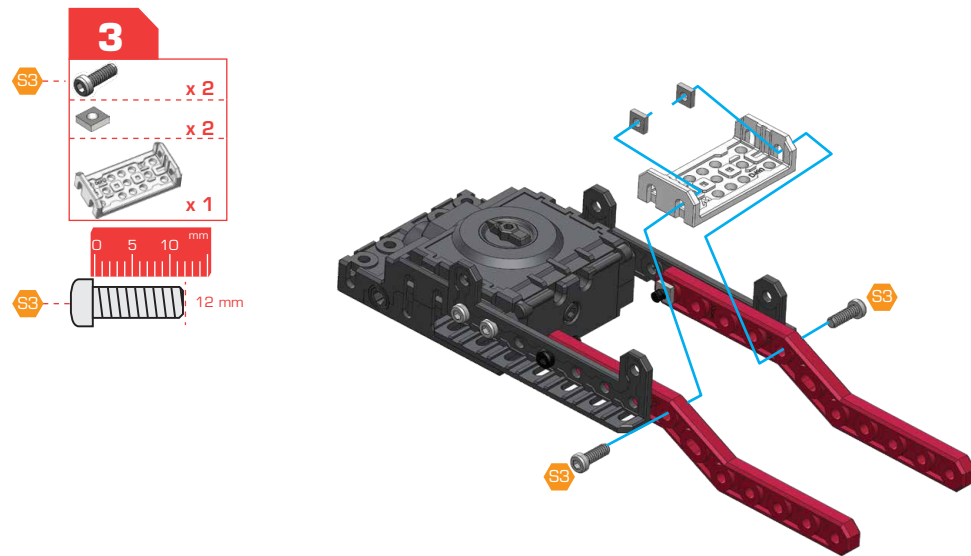


- 1**
- S1 x 4
  - x 4
  - x 2
  - x 1
- 0 5 10 mm
- S1 5.8 mm



- 2**
- B1 x 2
  - x 2
  - x 2
- 0 5 10 15 20 mm
- B1 14.7 mm



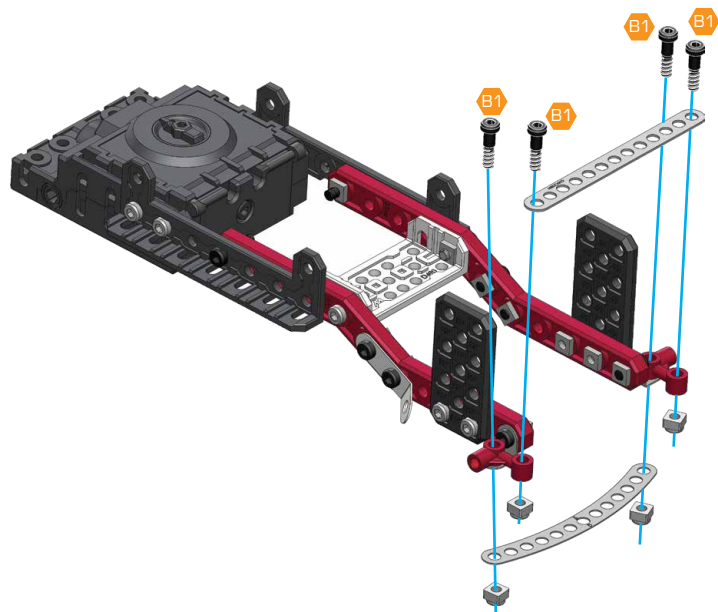


**7**

- B1 x 4
- x 4
- x 2
- x 1
- x 1

0 5 10 15 20 mm

B1 14.7 mm

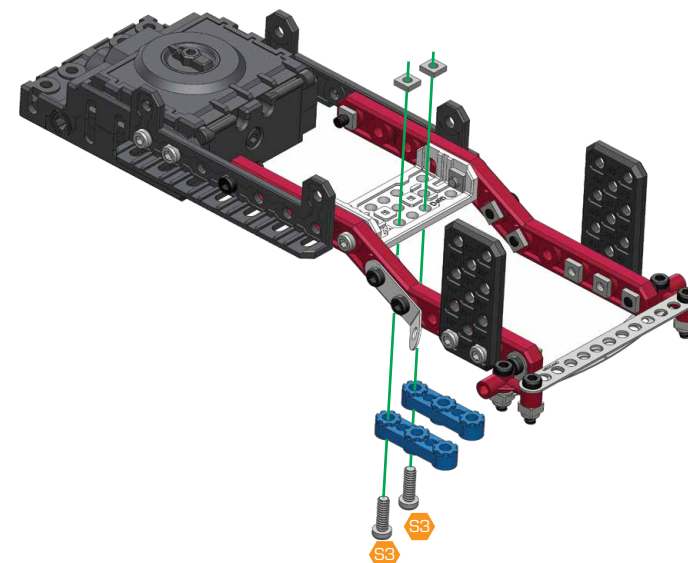


**8**

- S3 x 2
- x 2
- x 2

0 5 10 mm

S3 12 mm



**9**

- S2 x 2
- S3 x 2
- x 4
- x 1
- x 1

0 5 10 mm

S2 9.5 mm

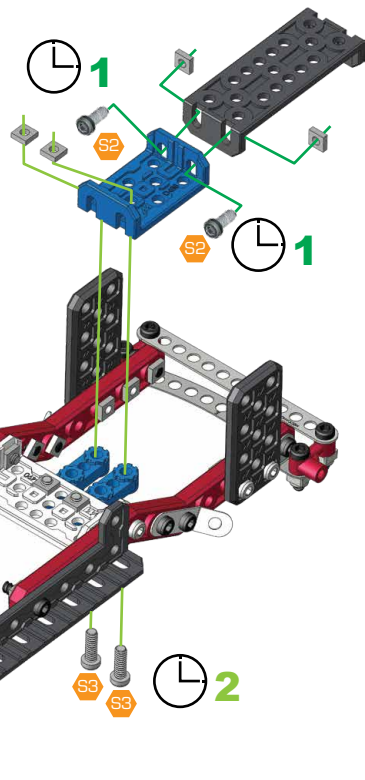
S3 12 mm

90°

1

1

2



**10**

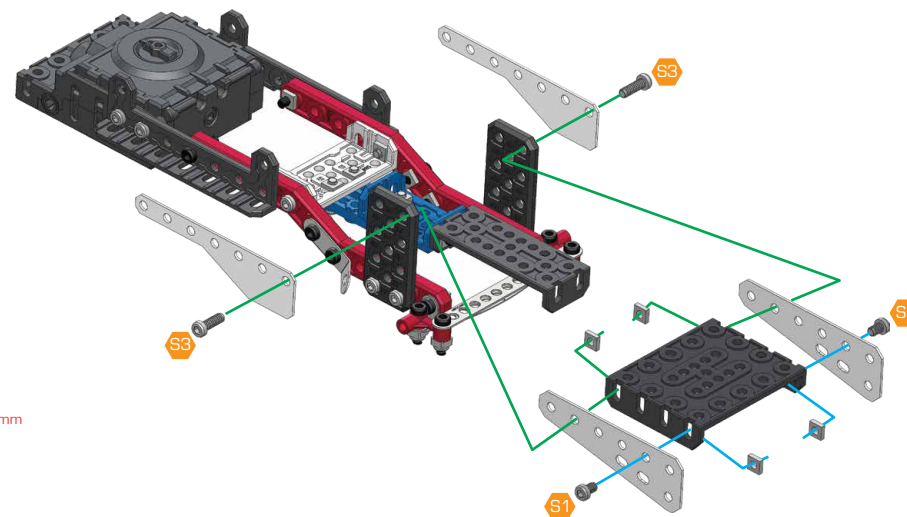
- S1 x 2
- S3 x 2
- x 4
- x 2
- x 2
- x 1

0 5 10 mm

S1 5.8 mm

S3 12 mm

90°



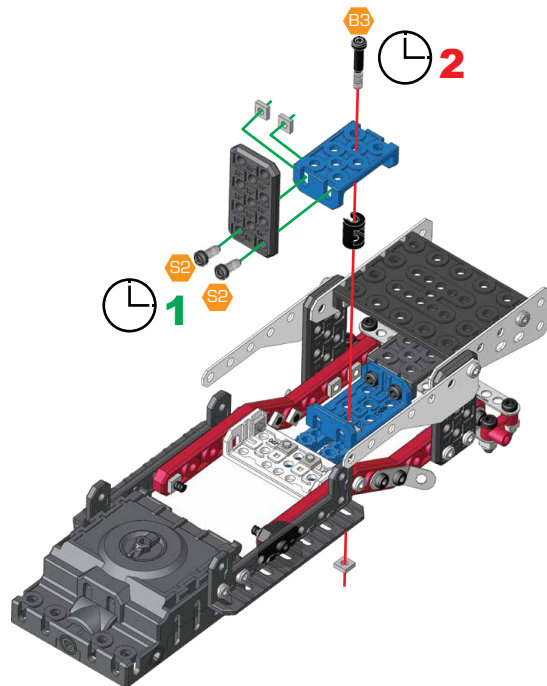
### 11

- S2 x 2
- B3 x 1
- x 3
- x 1
- x 1
- x 1

90°

0 5 10 15 20 25 30 mm

- S2 9.5 mm
- B3 23 mm

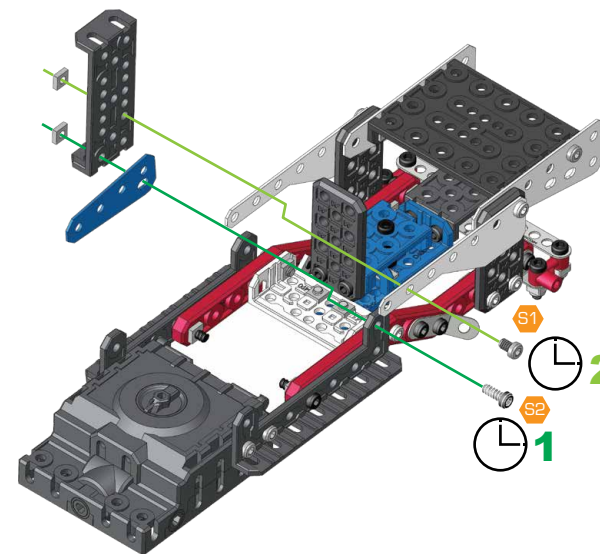


### 12

- S1 x 1
- S2 x 1
- x 2
- x 1
- x 1

0 5 10 15 20 mm

- S1 5.8 mm
- S2 9.5 mm

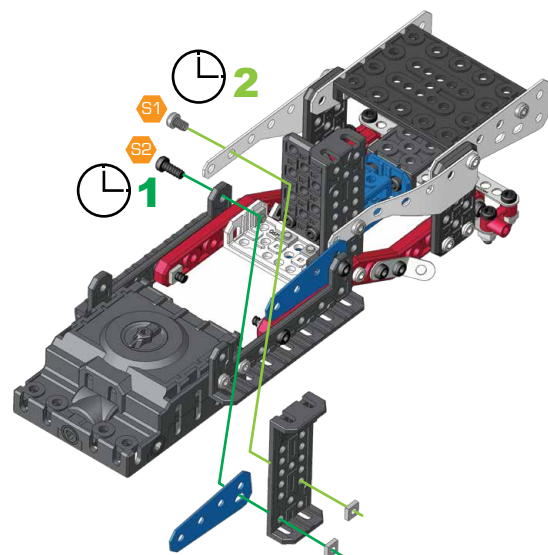


### 13

- S1 x 1
- S2 x 2
- x 2
- x 1
- x 1

0 5 10 15 20 mm

- S1 5.8 mm
- S2 9.5 mm

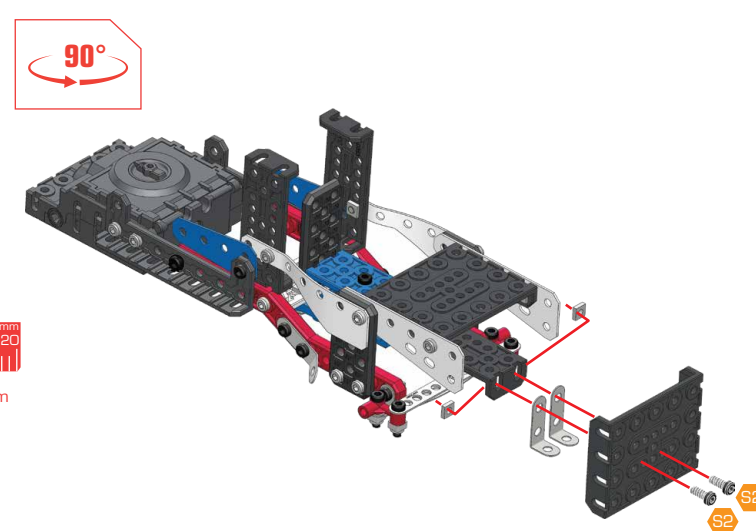



### 14

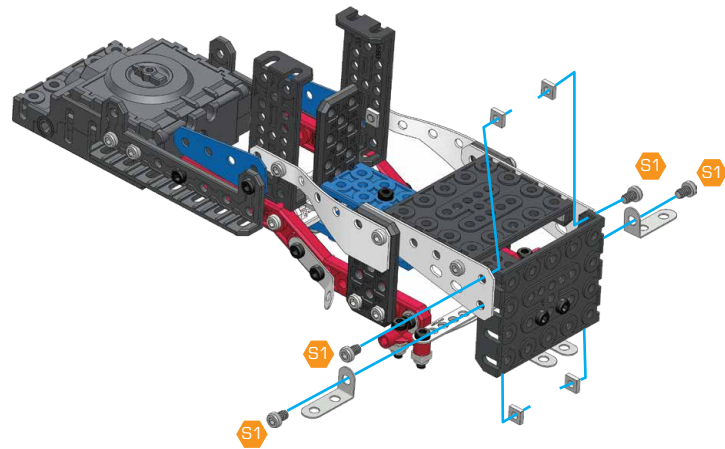
- S2 x 2
- x 2
- x 2
- x 1


0 5 10 15 20 mm

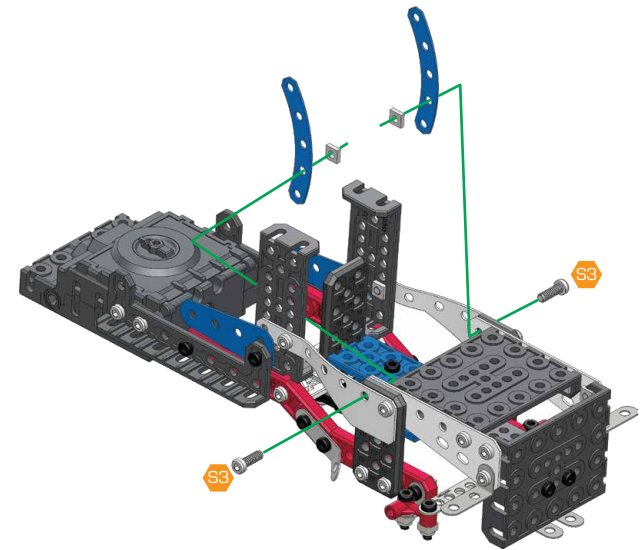
- S2 9.5 mm




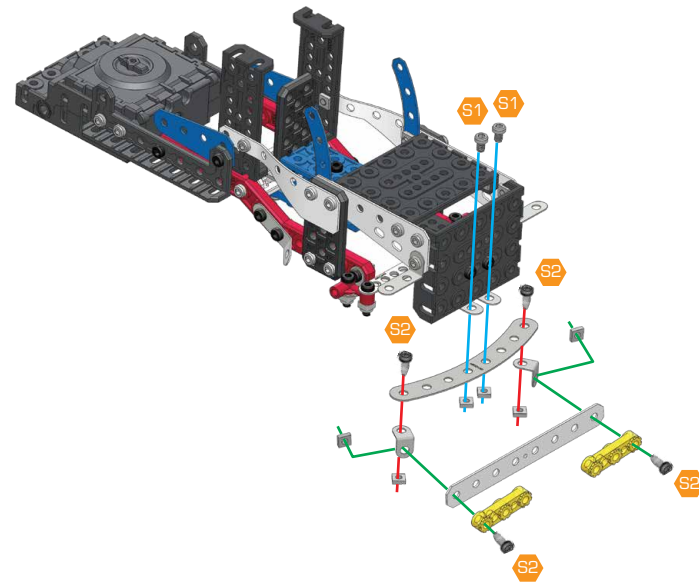
- 15**
- S1 x 4
  - x 4
  - x 2
- 
- S1 5.8 mm

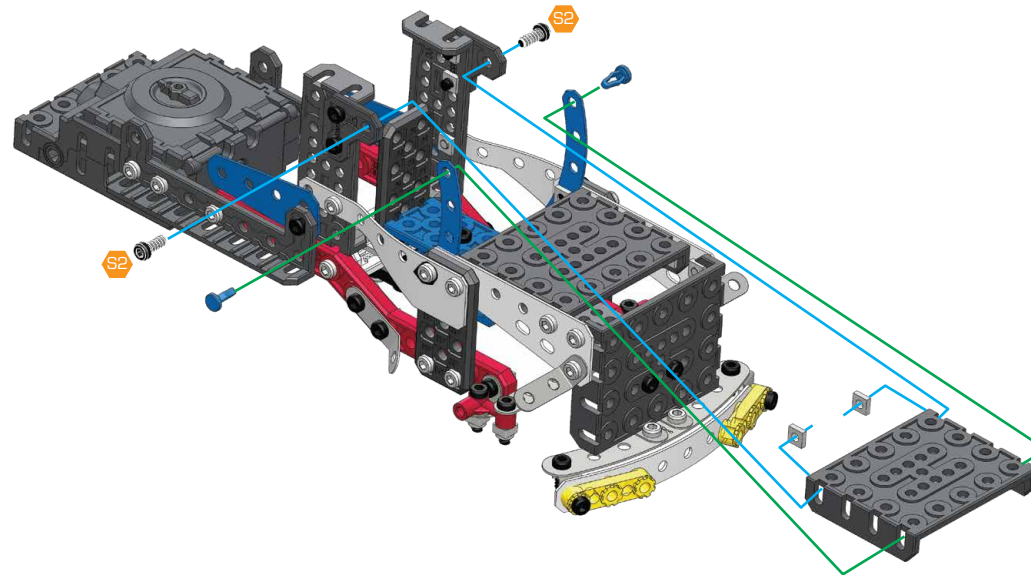
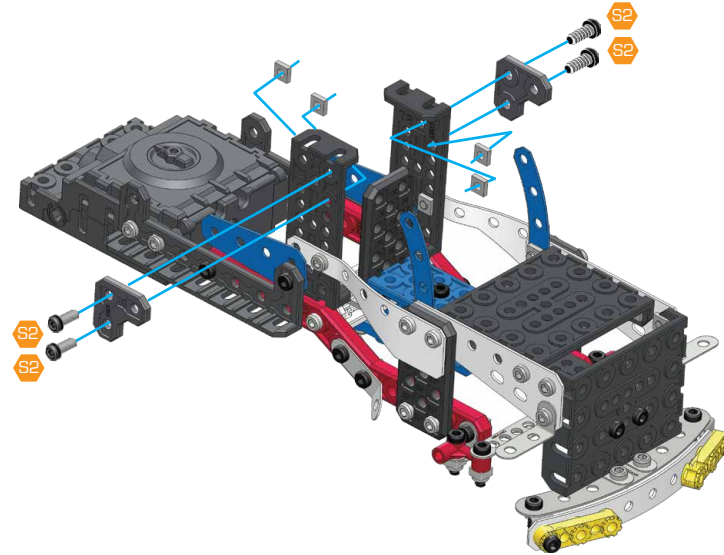
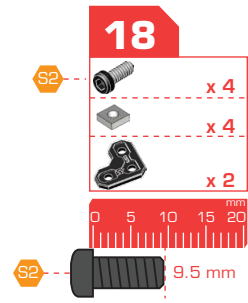


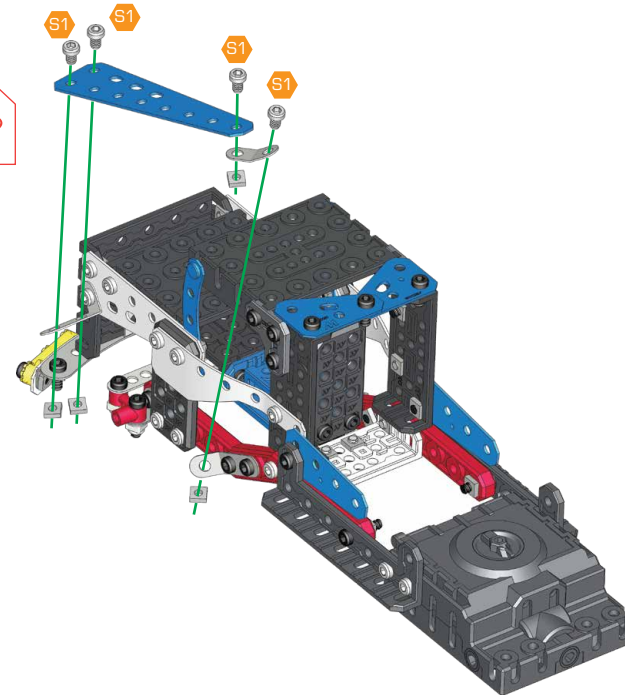
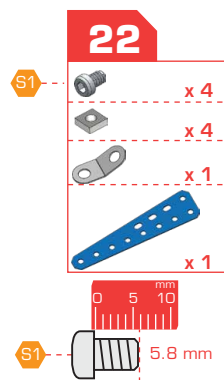
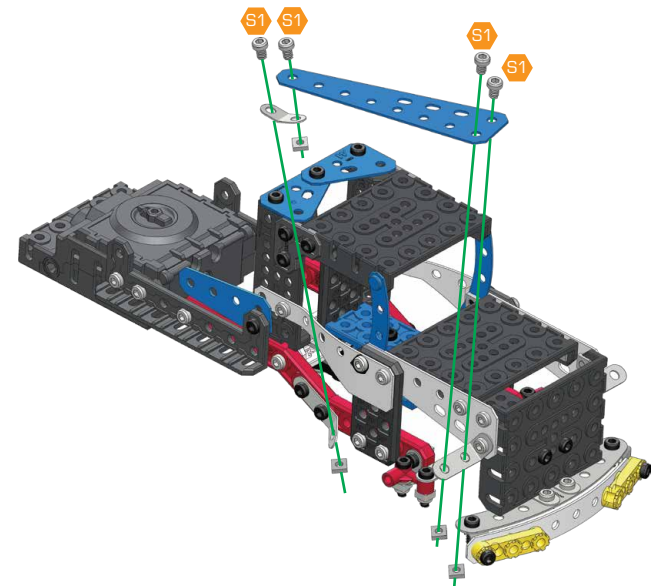
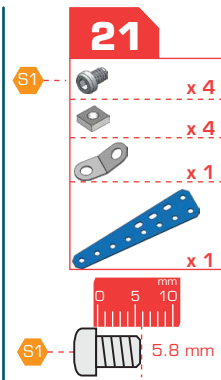
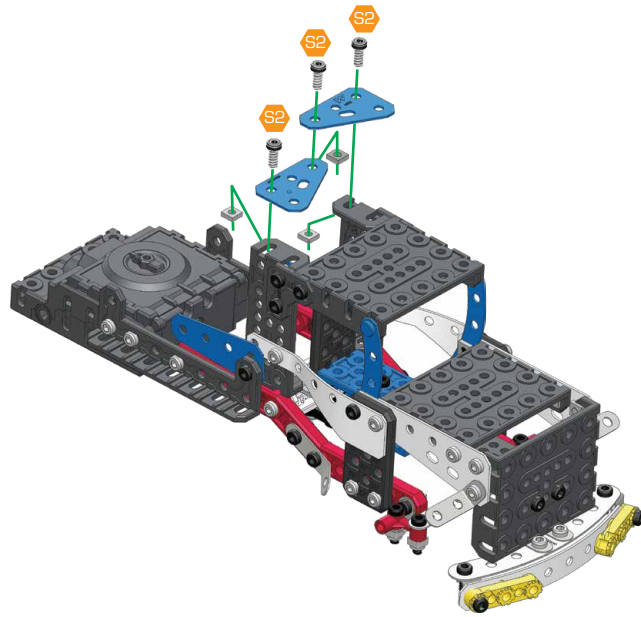
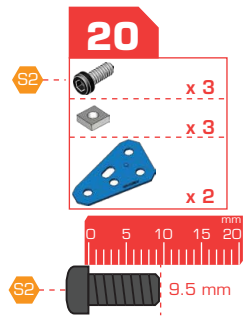
- 16**
- S3 x 2
  - x 2
  - x 2
- 
- S3 12 mm






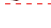






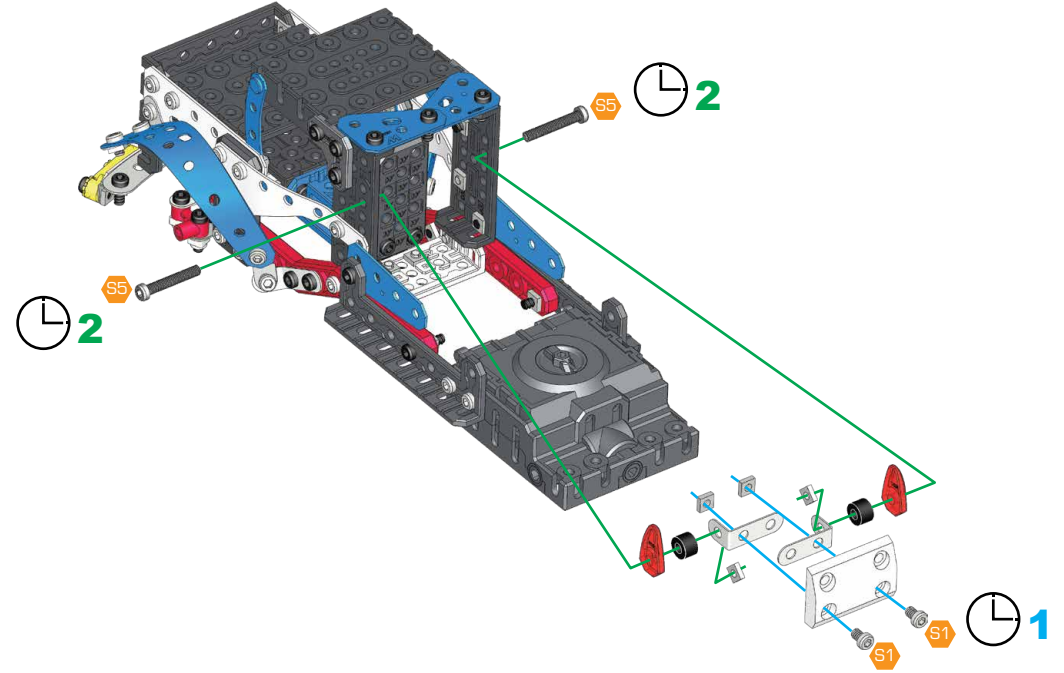
- 17**
- S1 x 2
  - S2 x 4
  - x 6
  - x 2
  - x 2
  - x 1
  - x 1
- 
- S1 5.8 mm
- S2 9.5 mm









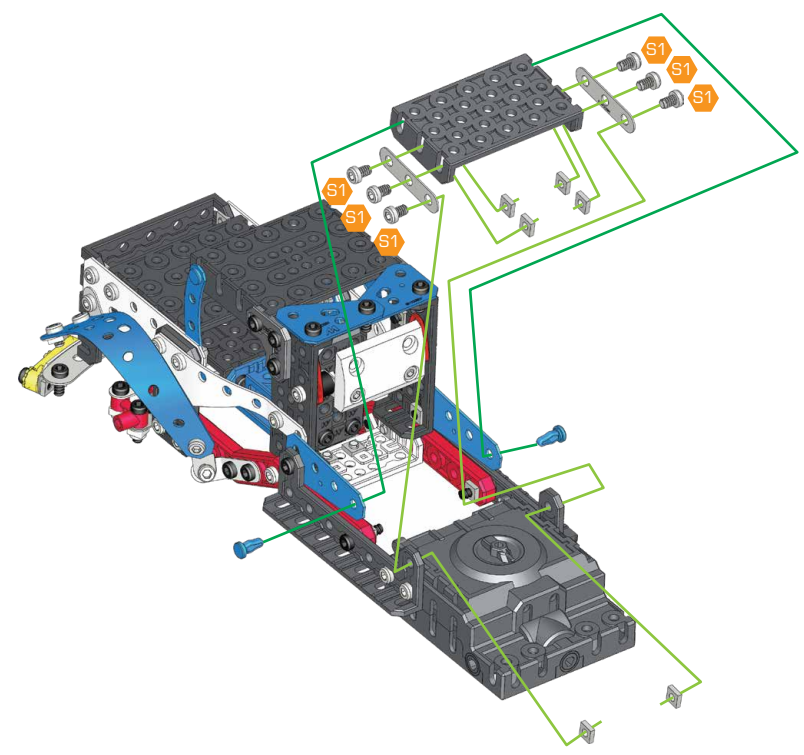




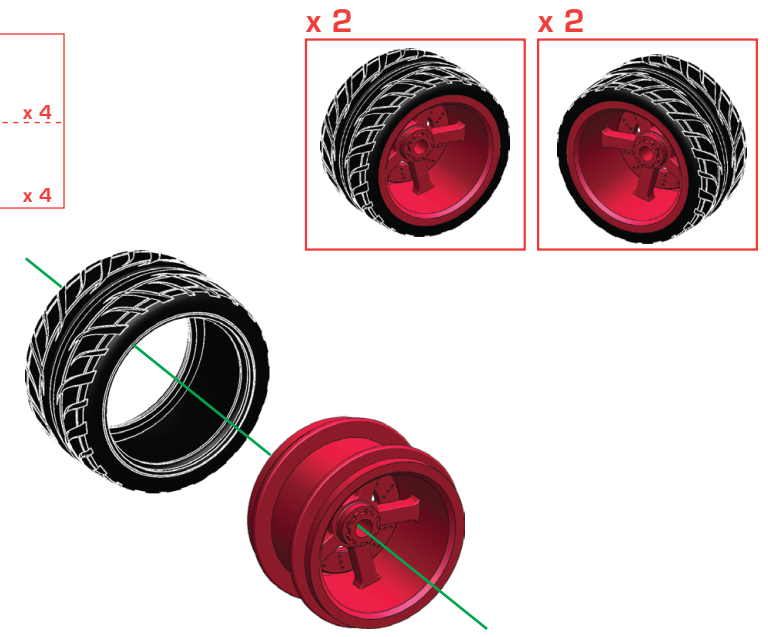
- 23**
-  x 2
  -  x 2
  -  x 4
  -  x 2
  -  x 2
  -  x 2
  -  x 2
  -  x 1
- 0 5 10 15 20 25 30 mm
-  5.8 mm
  -  25.4 mm



- 24**
-  x 6
  -  x 6
  -  x 2
  -  x 2
  -  x 1
- 0 5 10 mm
-  5.8 mm







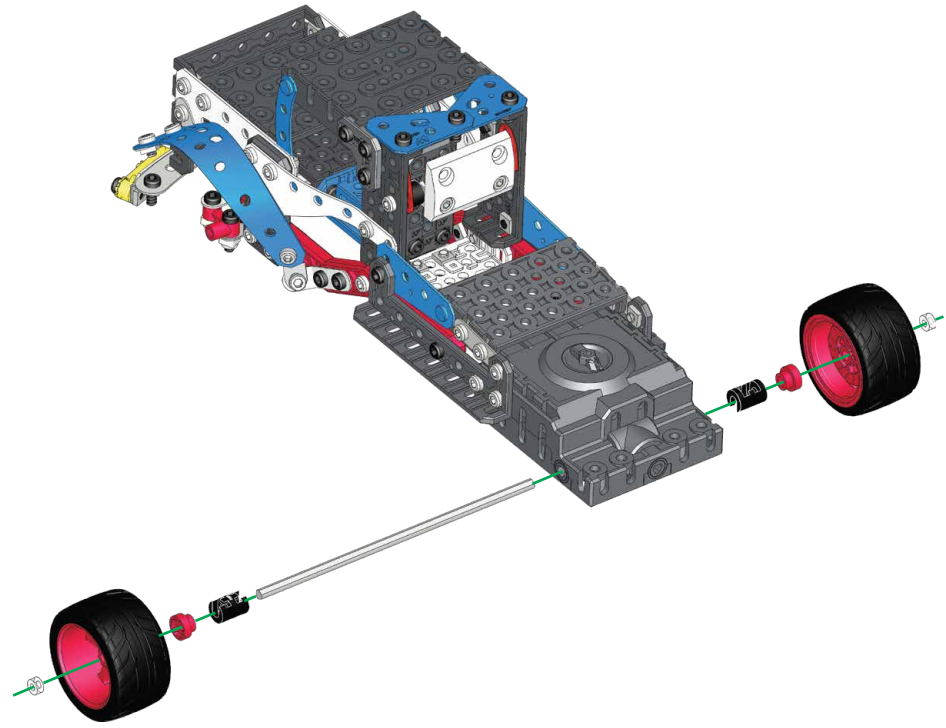
- 25**
-  x 4
  -  x 4









**26** 24+25

-  x 2
-  x 2
-  x 1
-  x 1



**27** 25+26

-  x 2
-  x 2
-  x 2

 23 mm

