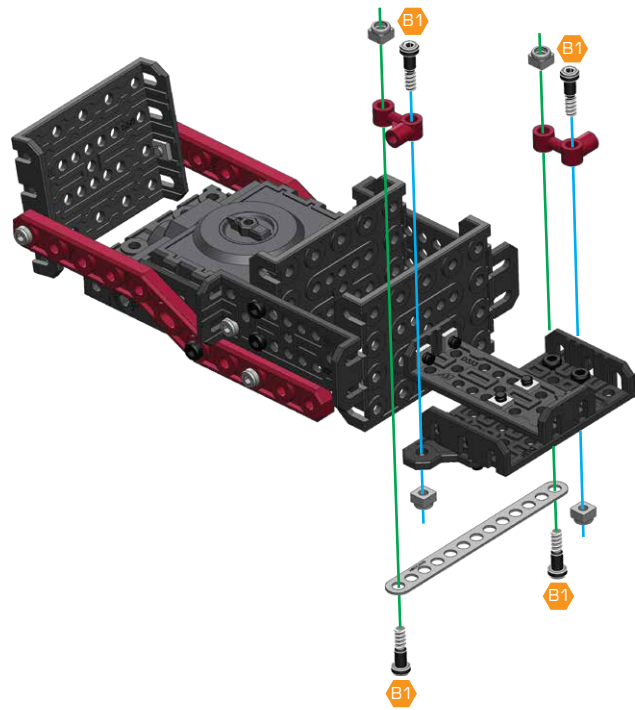


8

- B1 x 4
- x 4
- x 2
- x 1

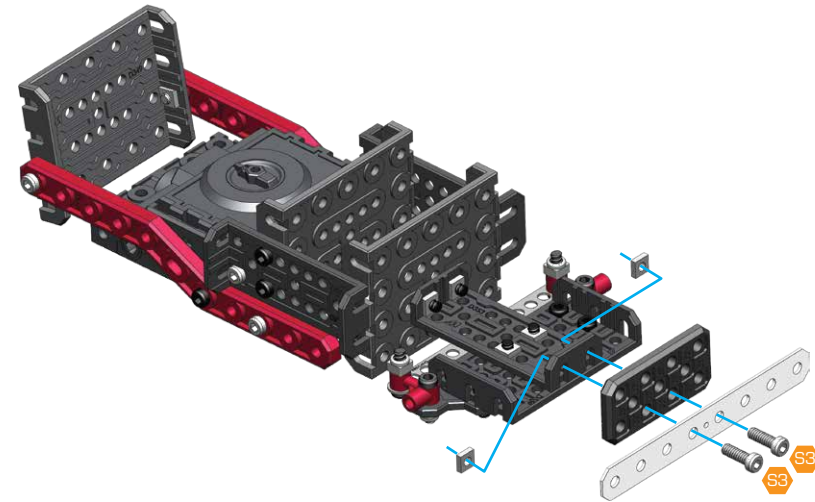
14.7 mm



9

- S3 x 2
- x 2
- x 1
- x 1

12 mm

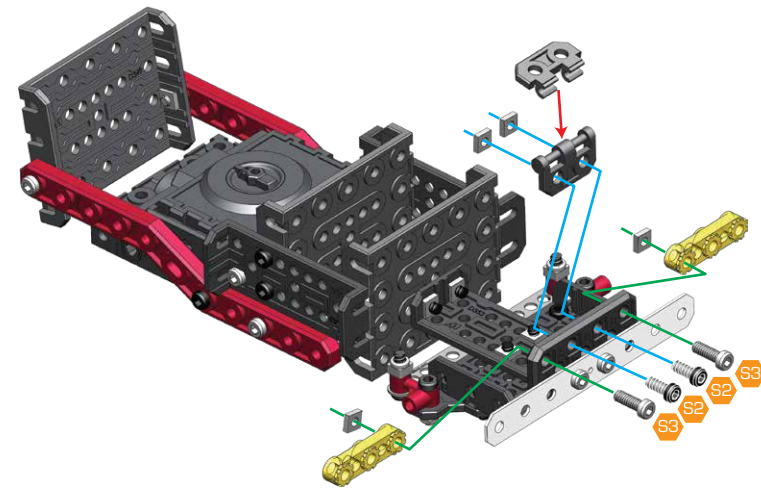


10

- S2 x 2
- S3 x 2
- x 4
- x 1
- x 1
- x 2

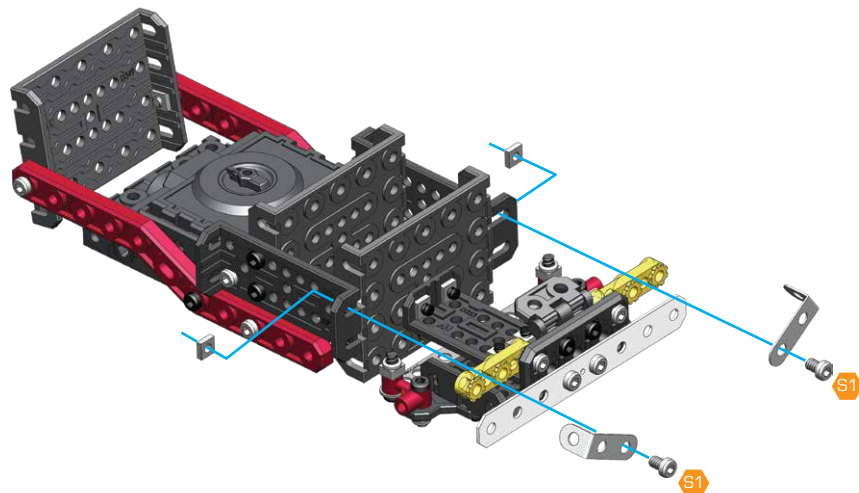
9.5 mm

12 mm



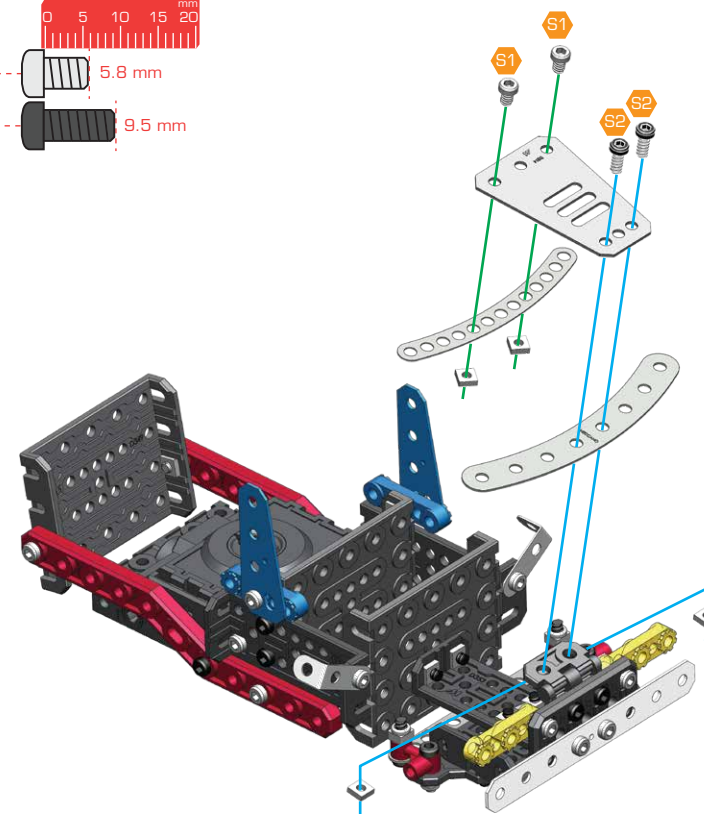
11

- S1 x 2
 - x 2
 - x 2
- 0 5 10 15 20 mm
- S1 5.8 mm



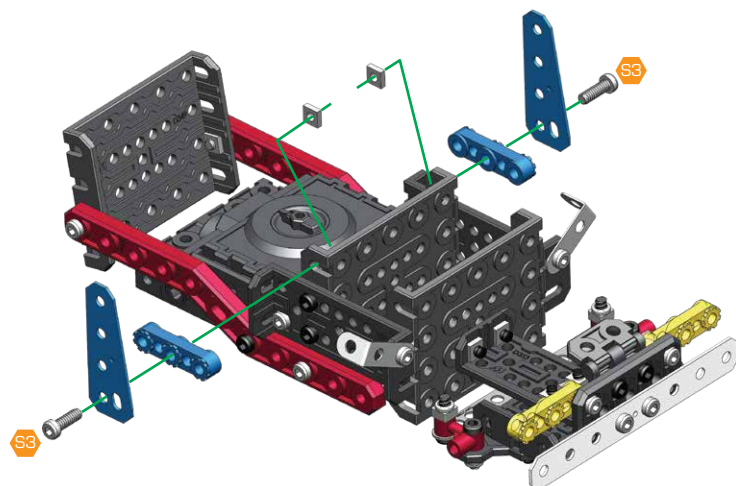
13

- S1 x 2
 - S2 x 2
 - x 4
 - x 1
 - x 1
 - x 1
- 0 5 10 15 20 mm
- S1 5.8 mm
- S2 9.5 mm



12

- S3 x 2
 - x 2
 - x 2
 - x 2
- 0 5 10 mm
- S3 12 mm

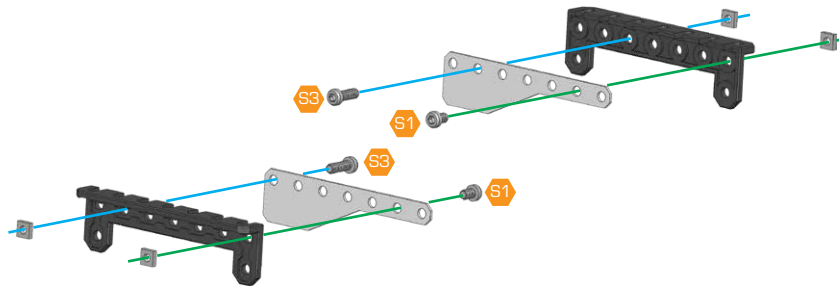


14

- S1 x 2
- S3 x 2
- x 4
- x 2
- x 2



- S1 5.8 mm
- S3 12 mm

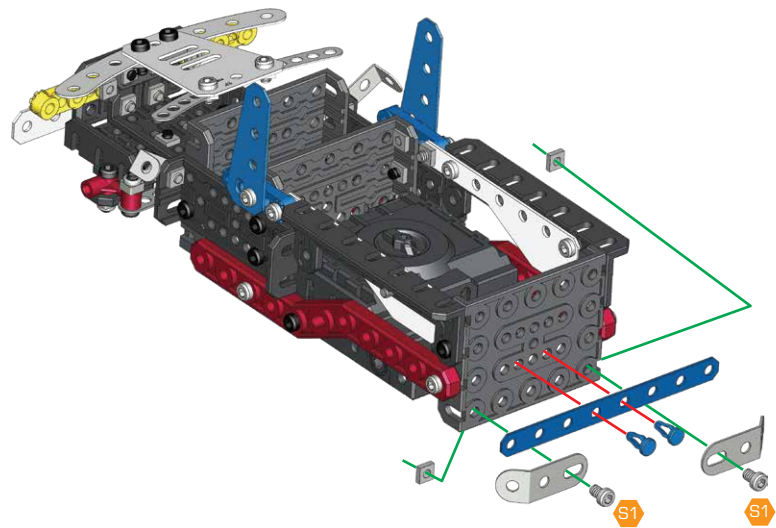


16

- S1 x 2
- x 2
- x 2
- x 2
- x 1



- S1 5.8 mm

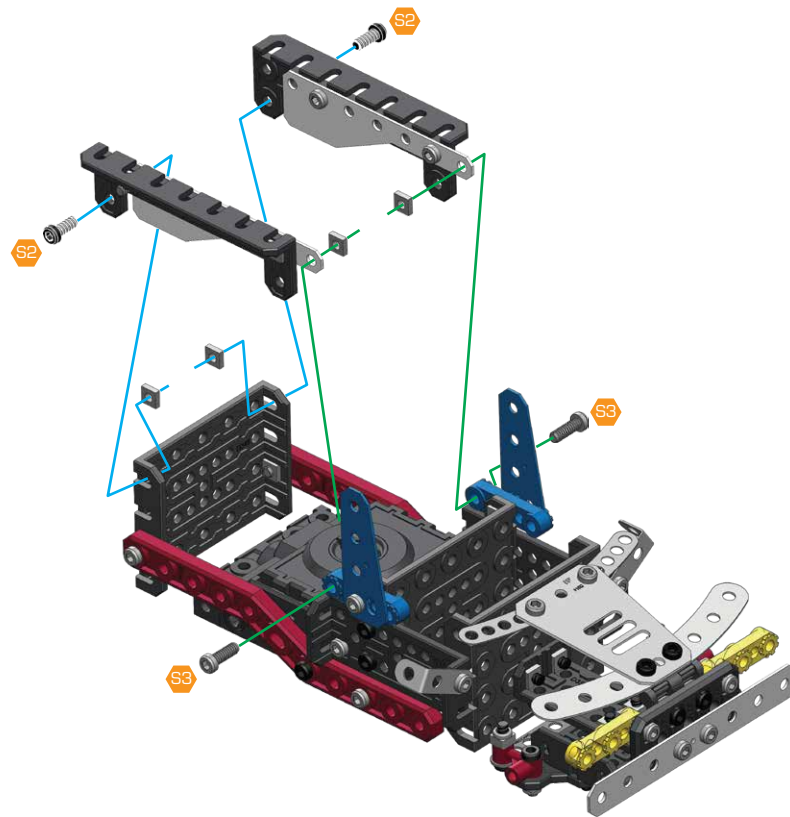


15 13+14

- S2 x 2
- S3 x 2
- x 4



- S2 9.5 mm
- S3 12 mm



17

	x 4
	x 2
	x 4
	x 2
	x 2
	x 1

5.8 mm

18

	x 2
	x 1
	x 4
	x 3
	x 1
	x 1
	x 1
	x 1
	x 1
	x 1

5.8 mm
 9.5 mm

19

	x 3
	x 3
	x 1
	x 1

5.8 mm

20

	x 1
	x 2
	x 3
	x 3
	x 1
	x 2
	x 1

5.8 mm
 9.5 mm

21 17+20

S1		x 2
		x 1
		x 2

0 5 10 15 20 mm

S1 5.8 mm

22

S1		x 2
S2		x 1
		x 4
		x 3
		x 1
		x 1
		x 1
		x 1
		x 1
		x 1
		x 1

0 5 10 15 20 mm

S1 5.8 mm

S2 9.5 mm

23

S1		x 3
		x 3
		x 1
		x 1

0 5 10 15 20 mm

S1 5.8 mm

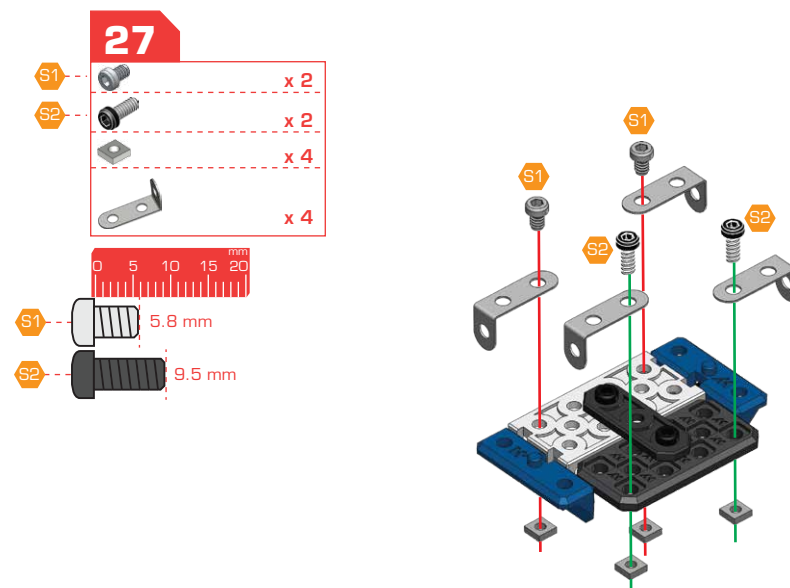
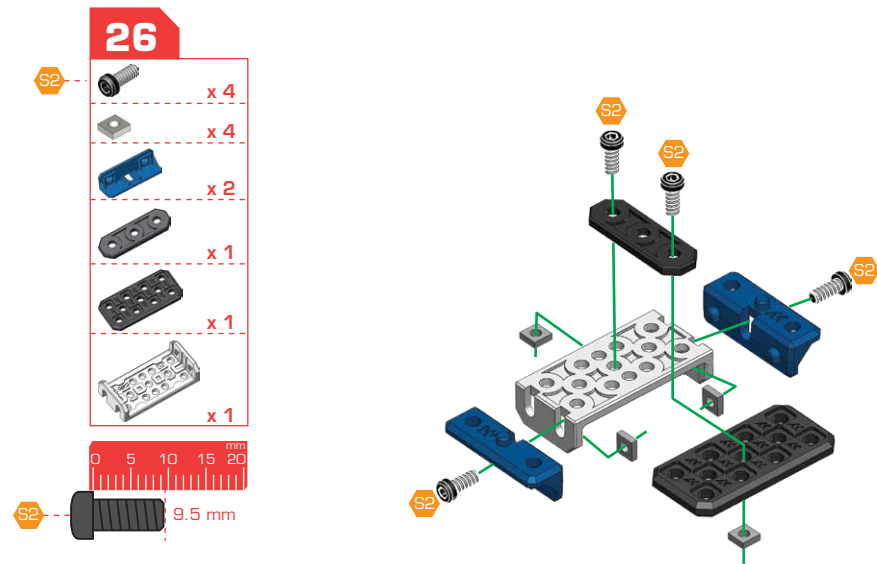
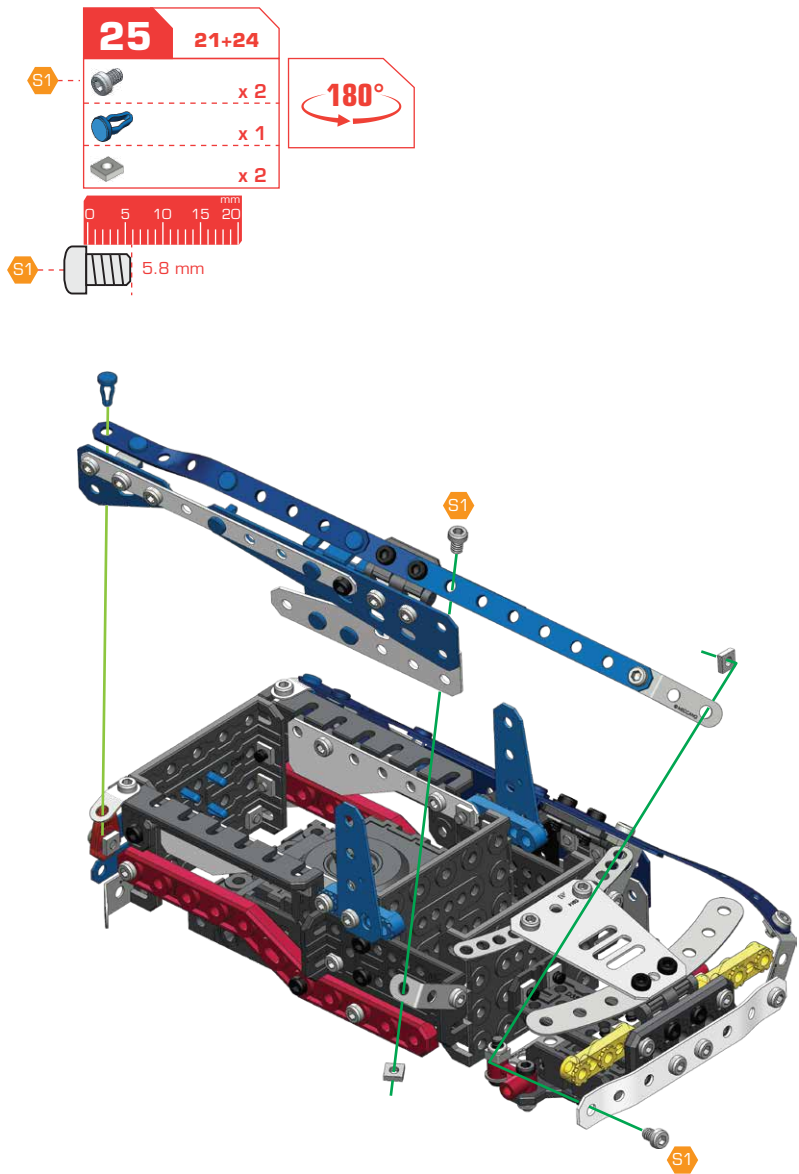
24

S1		x 1
S2		x 2
		x 3
		x 3
		x 1
		x 2
		x 1

0 5 10 15 20 mm

S1 5.8 mm

S2 9.5 mm

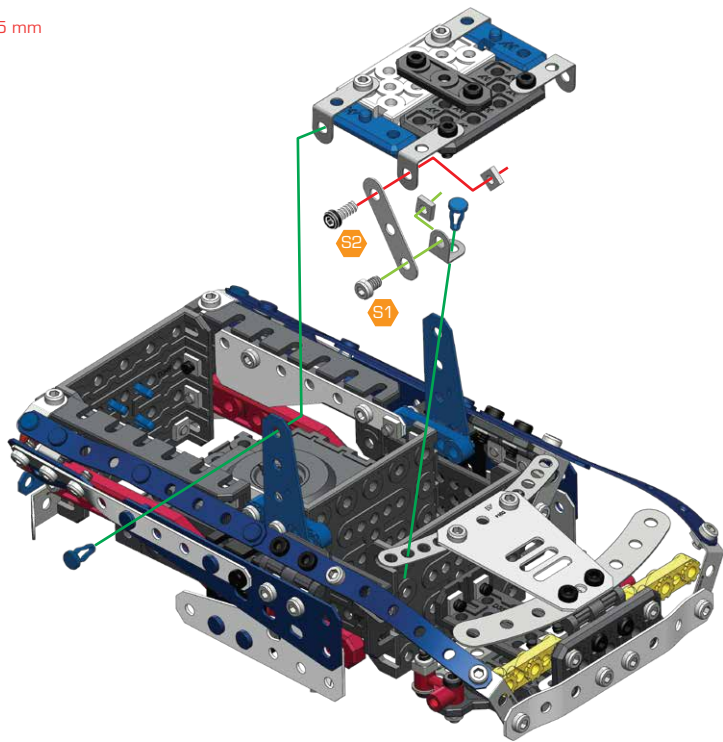


28

- S1 x 1
- S2 x 1
- x 2
- x 2
- x 1
- x 1

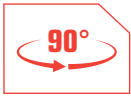


- S1 5.8 mm
- S2 9.5 mm

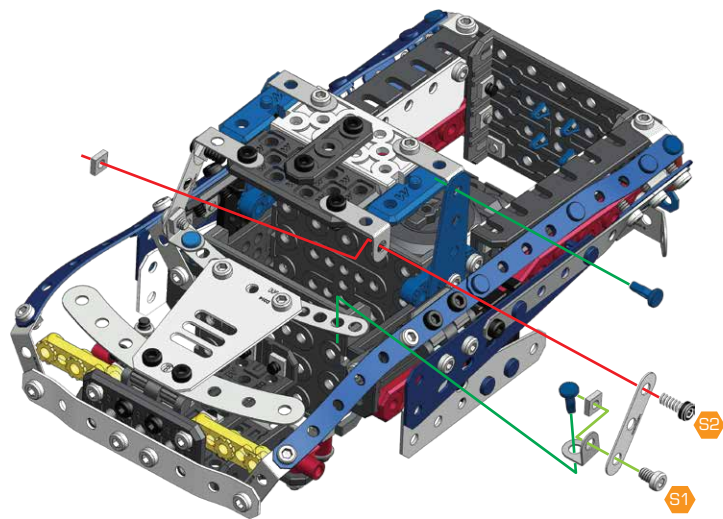


29

- S1 x 1
- S2 x 1
- x 2
- x 2
- x 1
- x 1



- S1 5.8 mm
- S2 9.5 mm



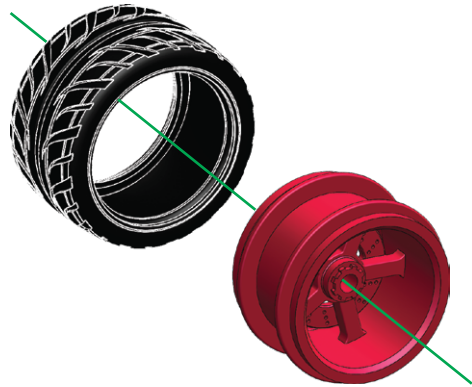
30



x 2



x 2



31 29+30

