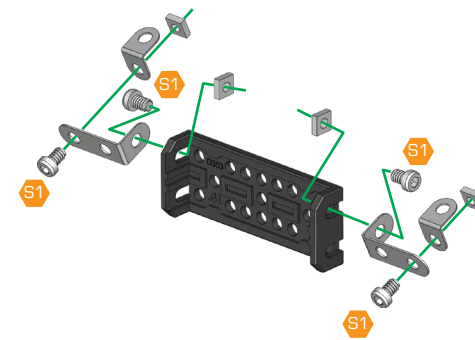


1

- S1 x 4
- x 4
- x 2
- x 2
- x 1

0 5 10 15 20 mm

S1 5.8 mm



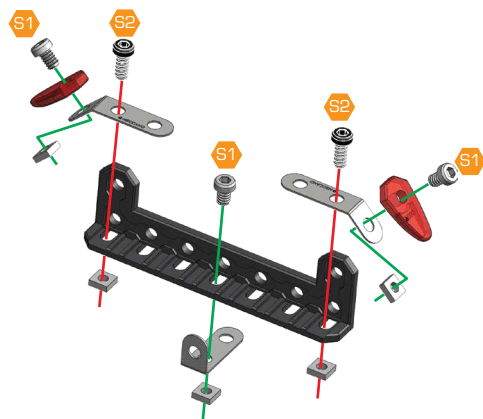
2

- S1 x 3
- S2 x 2
- x 5
- x 2
- x 1
- x 2
- x 1

0 5 10 15 20 mm

S1 5.8 mm

S2 9.5 mm

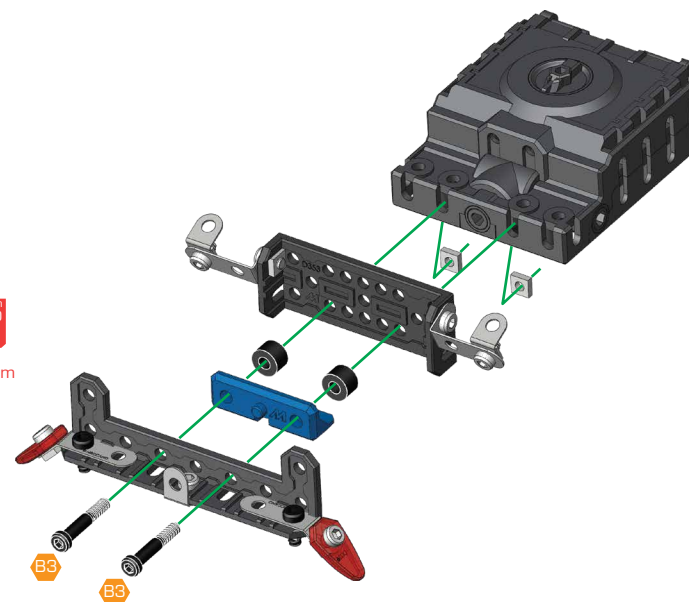


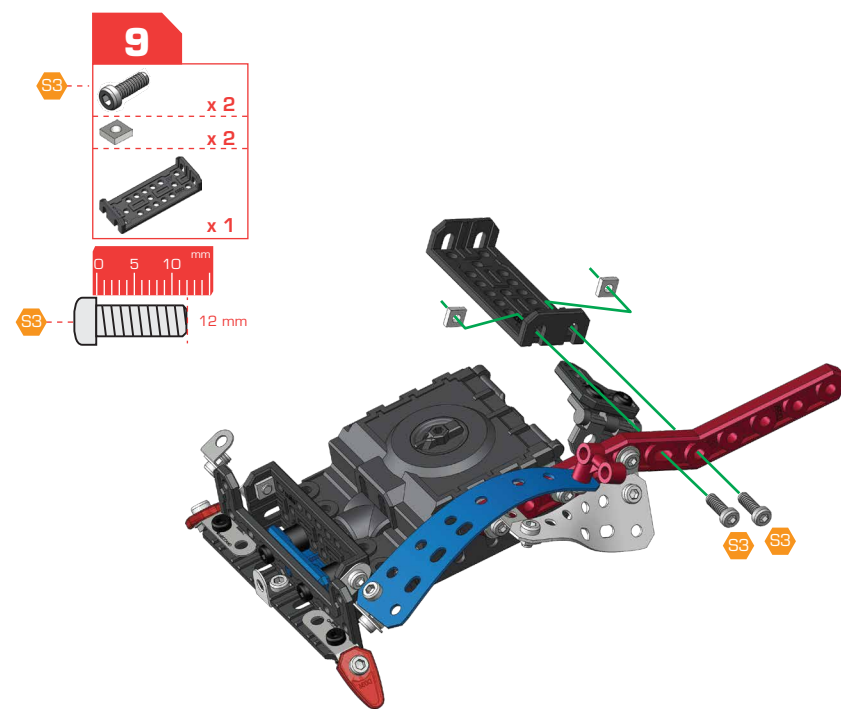
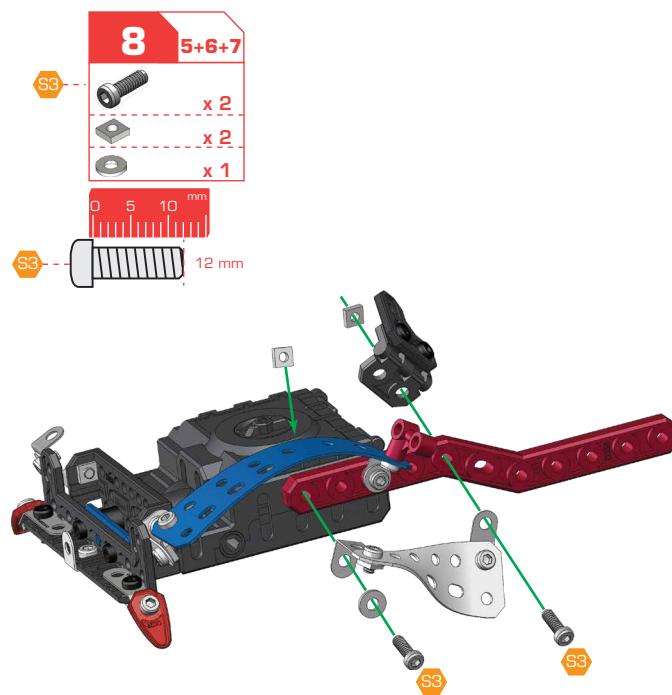
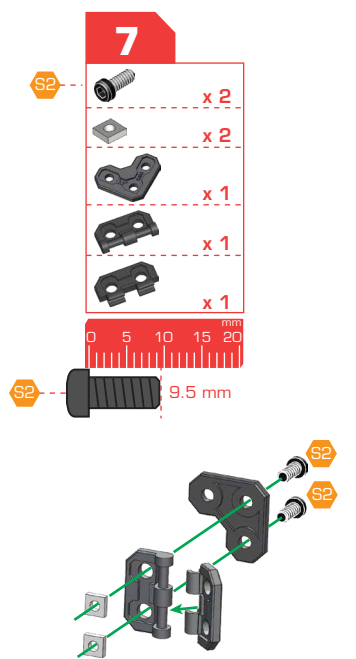
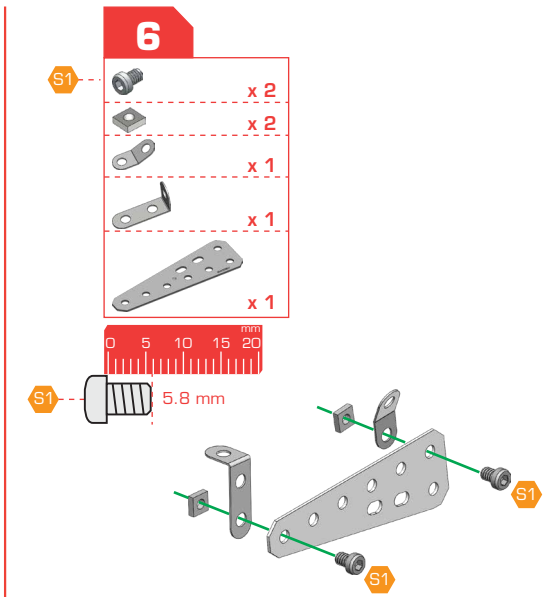
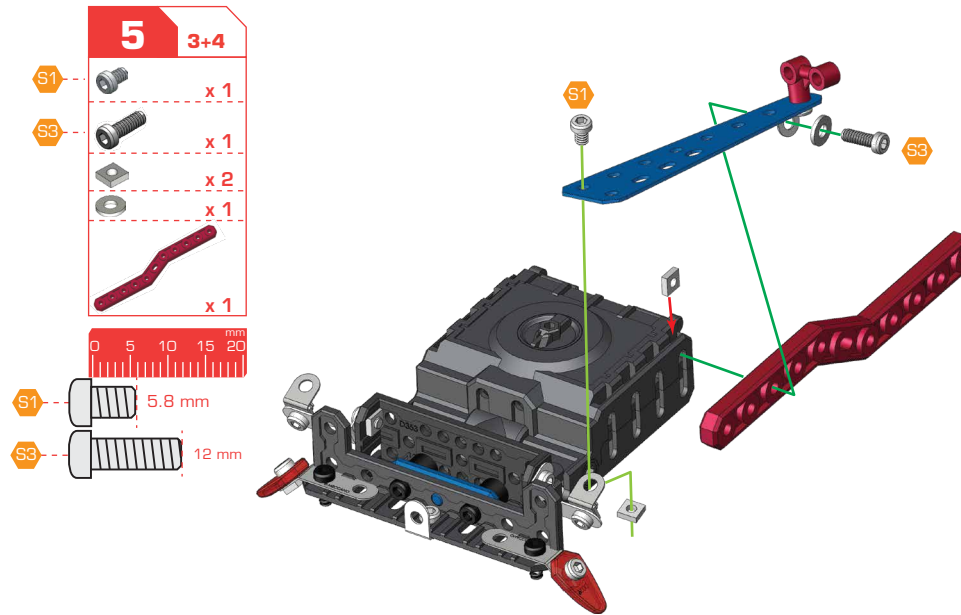
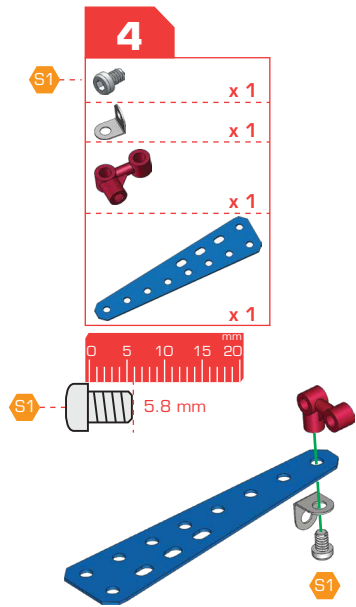
3 1+2

- B3 x 2
- x 2
- x 2
- x 1
- x 1

0 5 10 15 20 25 30 mm

B3 23 mm





10

- S1 x 1
- x 1
- x 1
- x 1

5.8 mm

11 9+10

- S1 x 1
- S3 x 1
- x 1
- x 2
- x 1
- x 1

90°

5.8 mm

12 mm

12

- S1 x 2
- x 2
- x 1
- x 1
- x 1

5.8 mm

13

- S2 x 2
- x 2
- x 1
- x 1
- x 1

9.5 mm

14 11+12+13

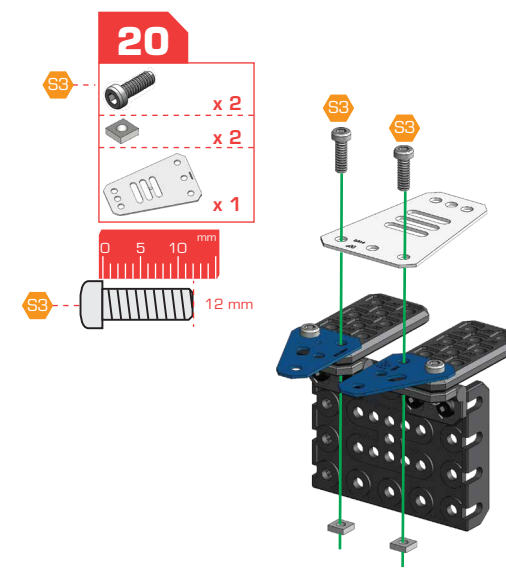
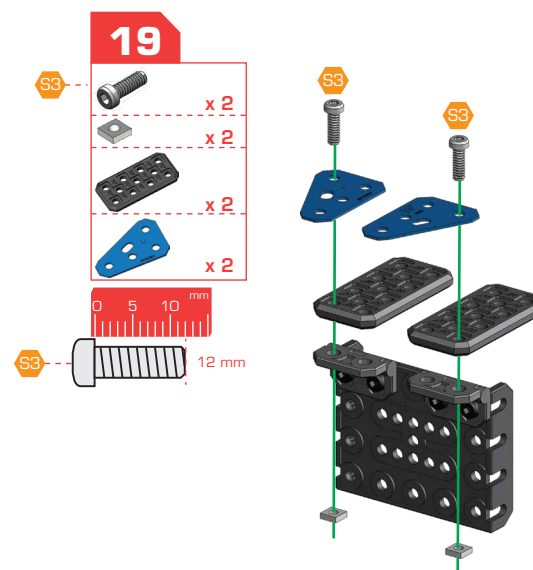
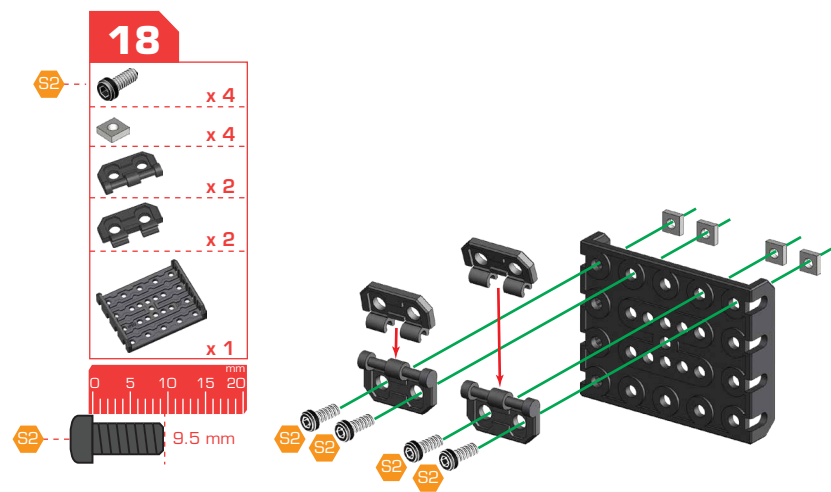
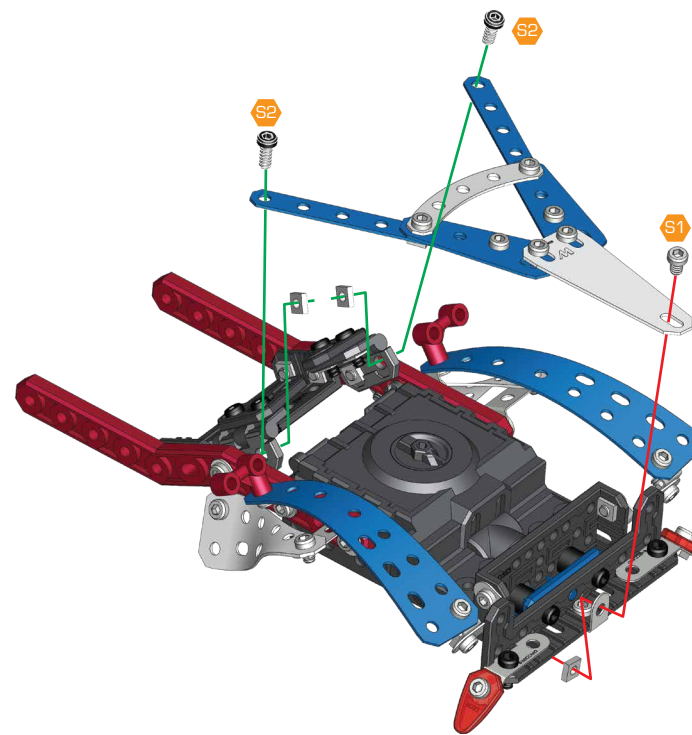
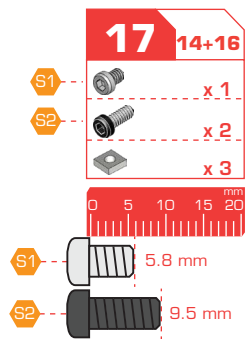
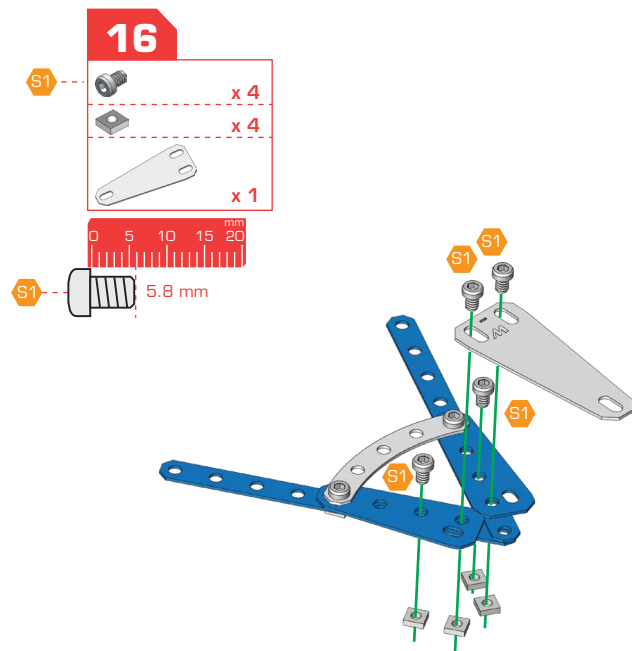
- S3 x 2
- x 2
- x 1

12 mm

15

- S1 x 2
- x 2
- x 2
- x 1
- x 2

5.8 mm



21

- x 1
- x 1
- x 1

25.4 mm

22

- x 1
- x 2
- x 3

23 21+22

- x 1
- x 1

24 20+23

- x 2
- x 2

9.5 mm

25

- x 2
- x 2
- x 1

9.5 mm

26 17+25

- x 1
- x 1

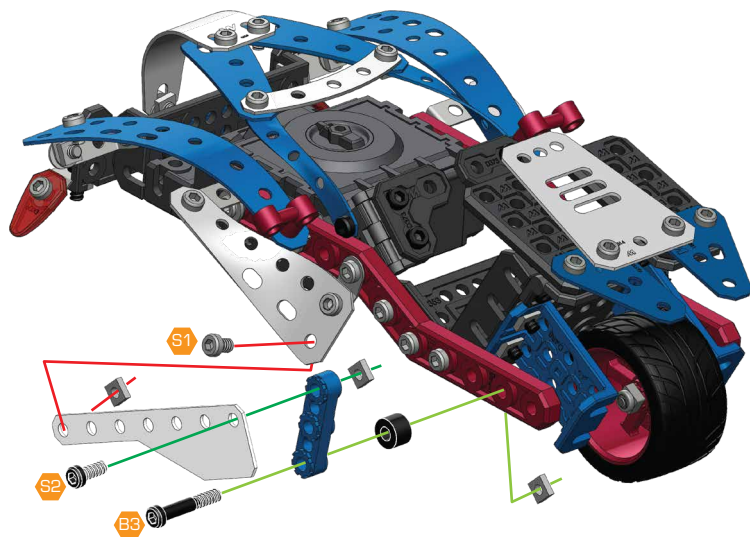
12 mm

27

- S1 x 1
- S2 x 1
- B3 x 1
- x 3
- x 1
- x 1
- x 1

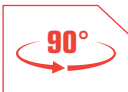


- S1 5.8 mm
- S2 9.5 mm
- B3 23 mm

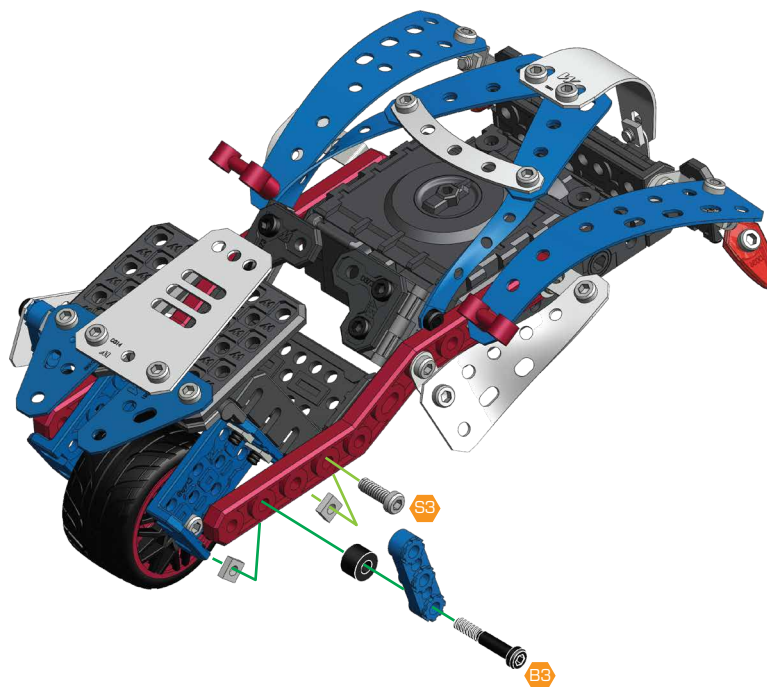


28

- S3 x 1
- B3 x 1
- x 2
- x 1
- x 1



- S3 12 mm
- B3 23 mm

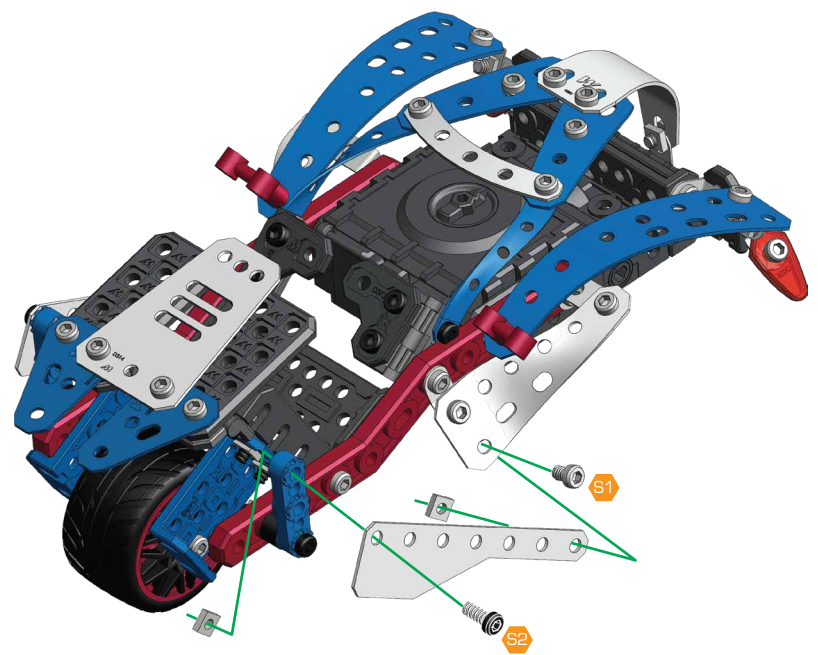


29

- S1 x 1
- S2 x 1
- x 2
- x 1



- S1 5.8 mm
- S2 9.5 mm



30 22+29

- x 1
- x 2
- x 2
- x 2

