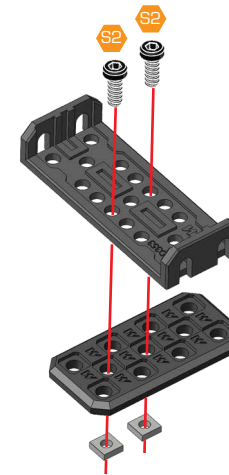
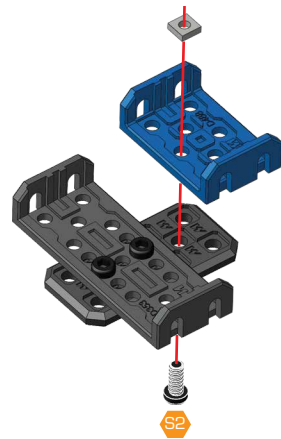


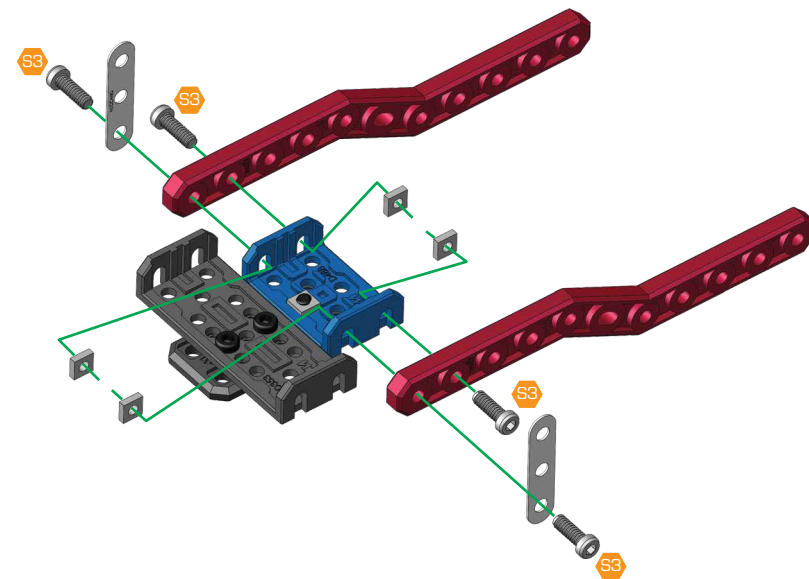
- 1**
- x 2
  - x 2
  - x 1
  - x 1
  - 9.5 mm

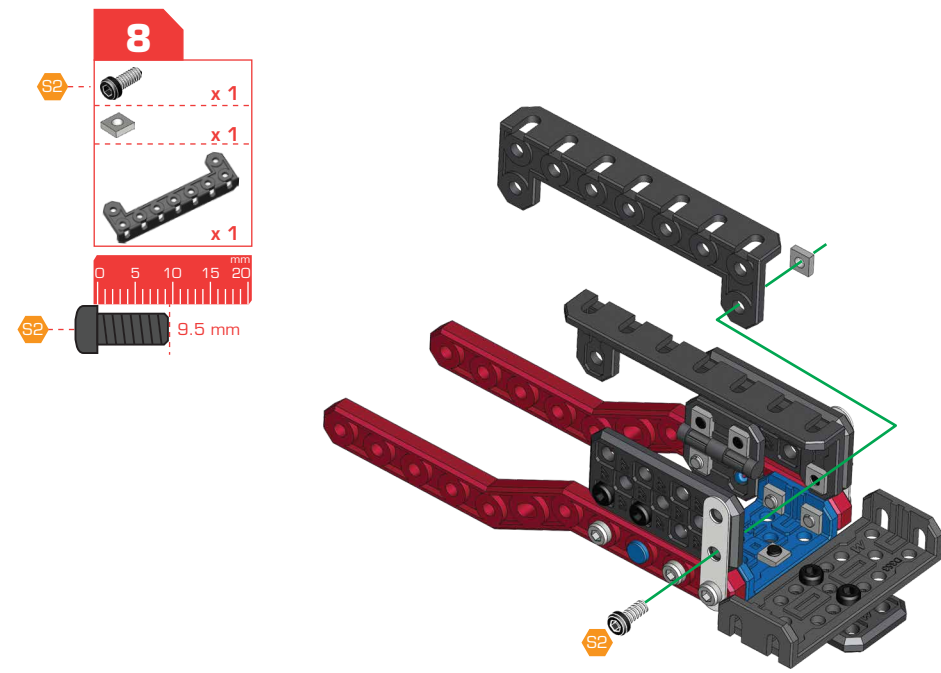
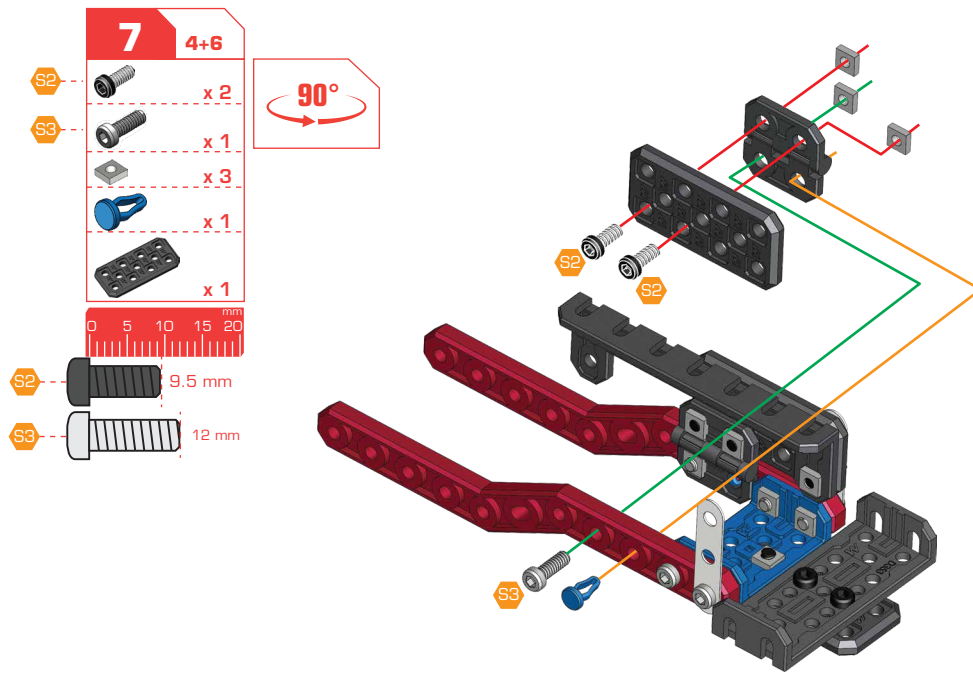
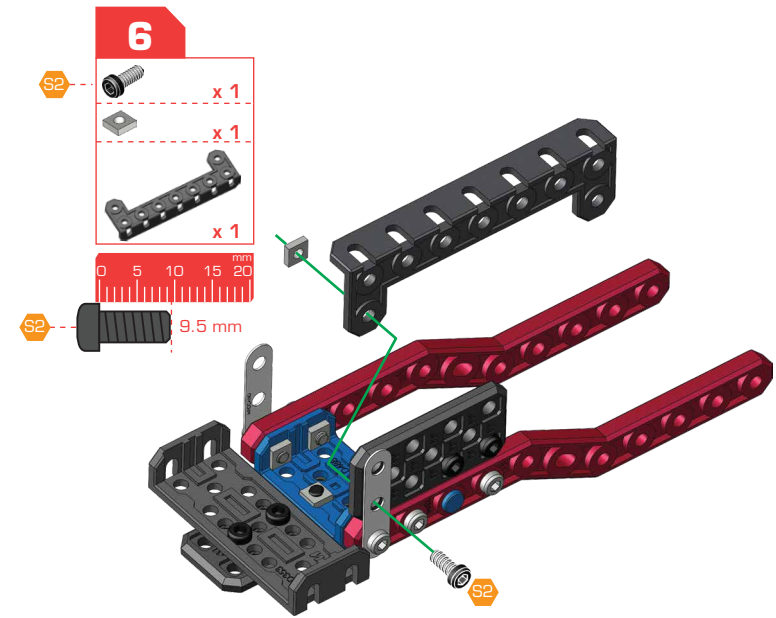
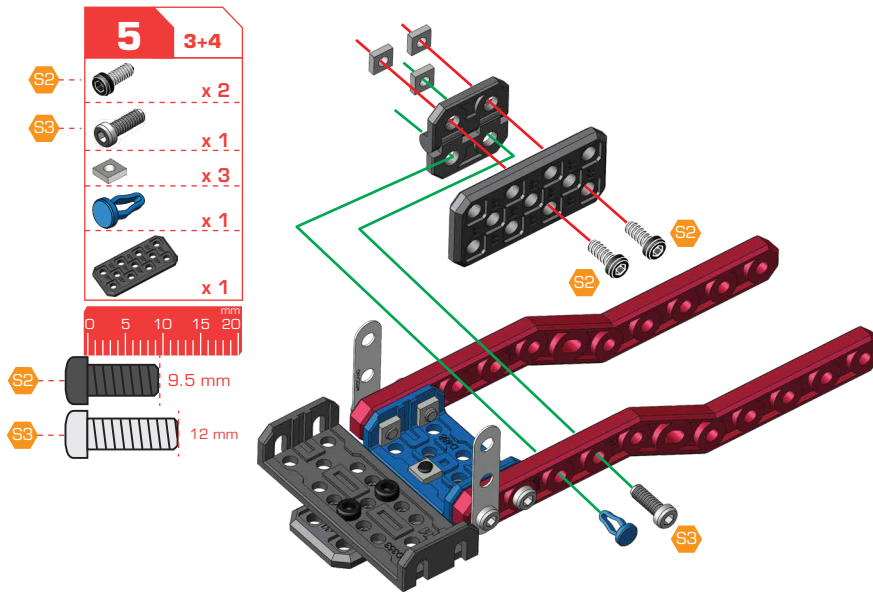
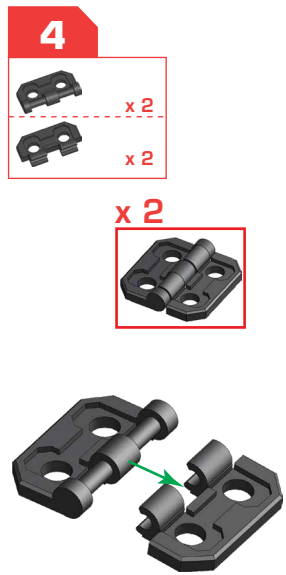


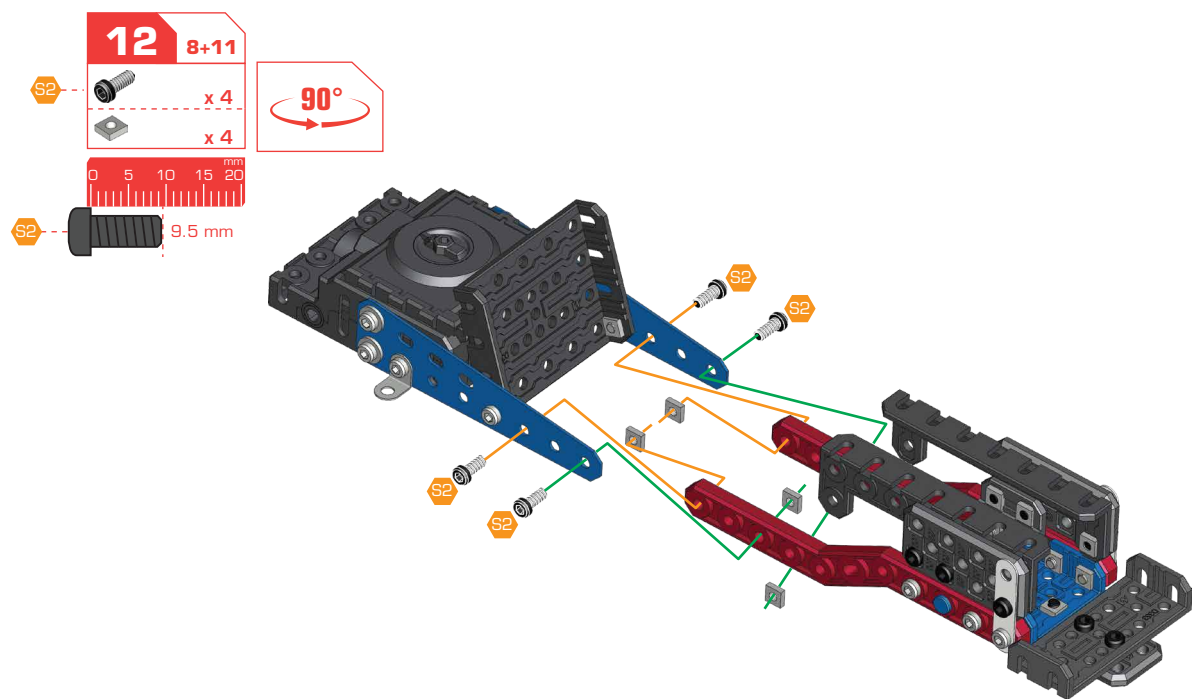
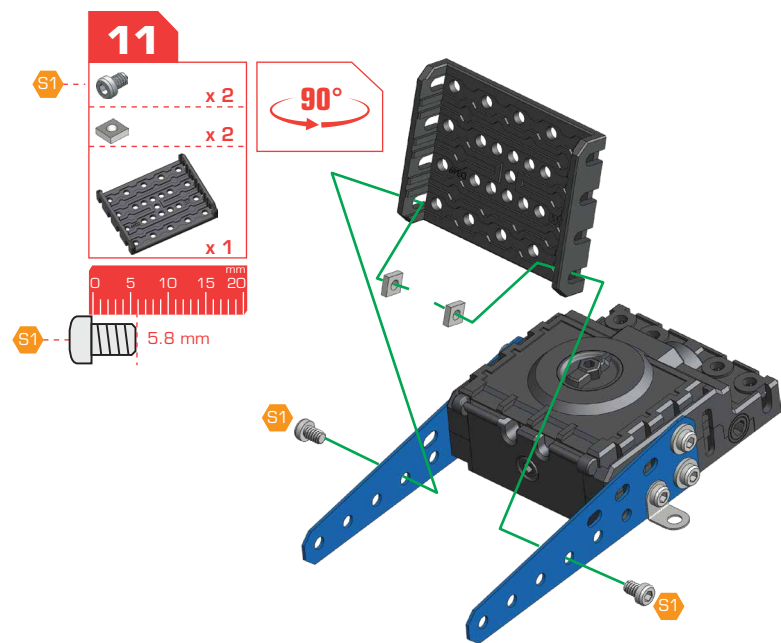
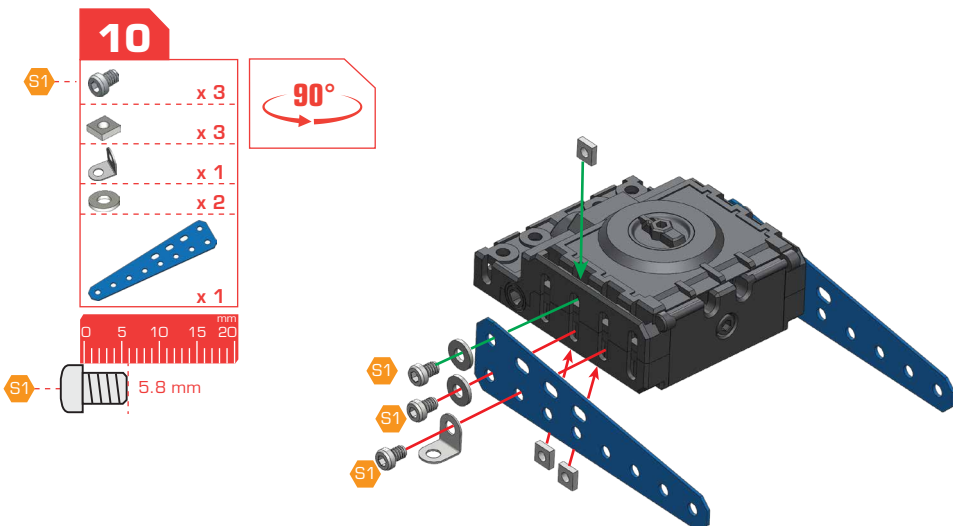
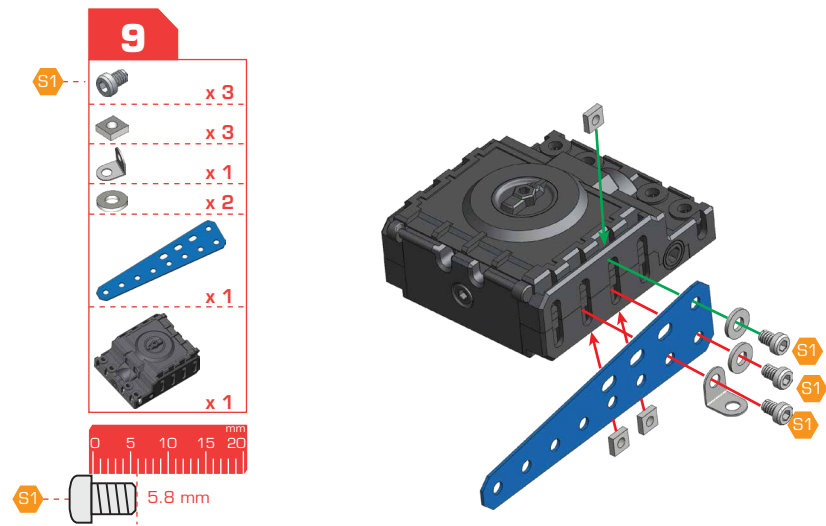
- 2**
- x 1
  - x 1
  - x 1
  - 9.5 mm



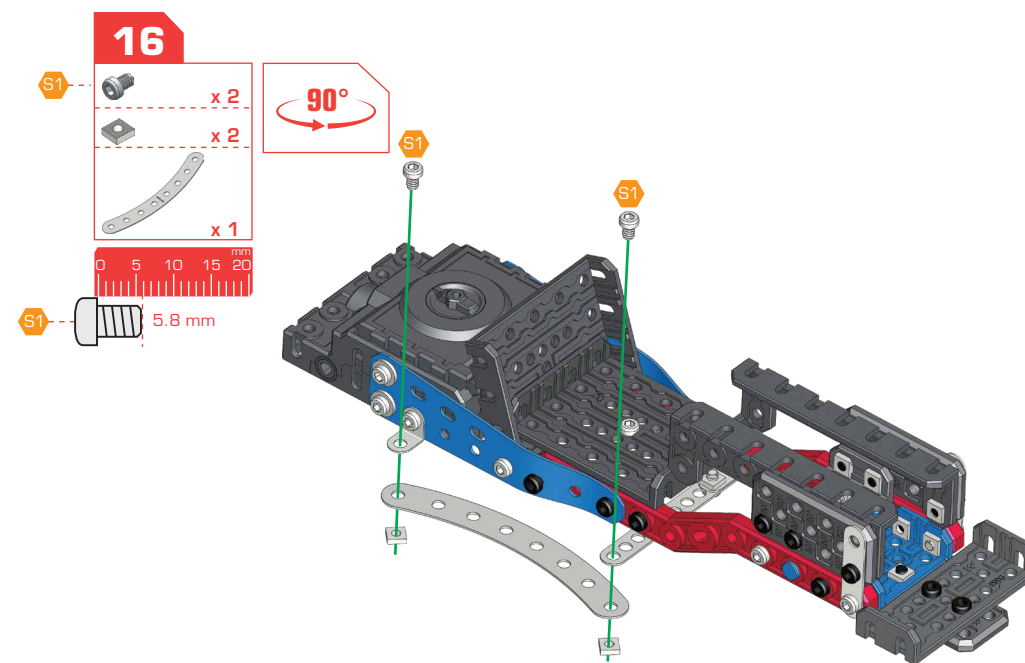
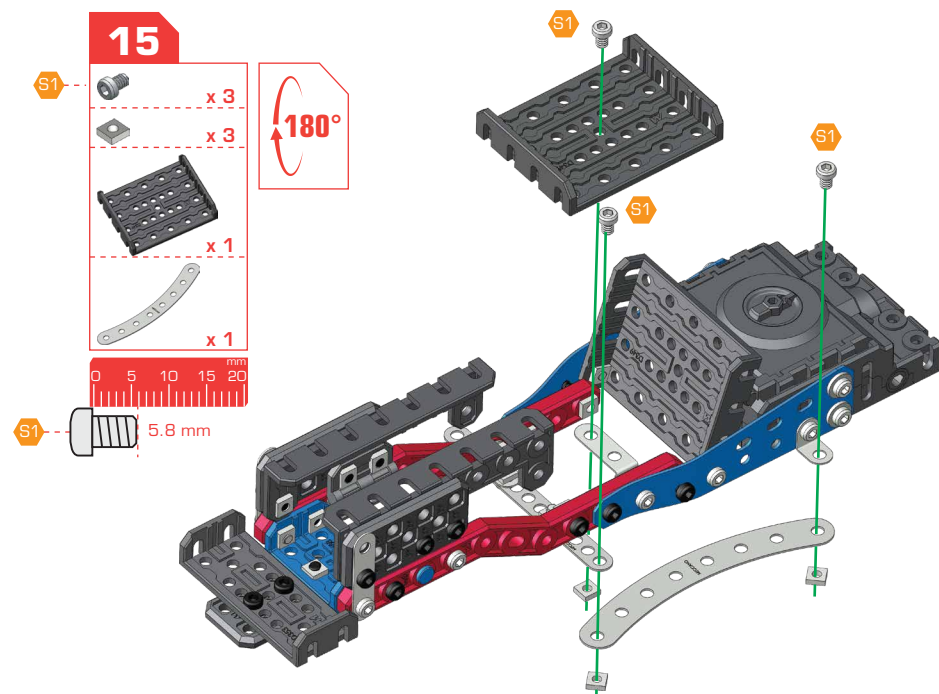
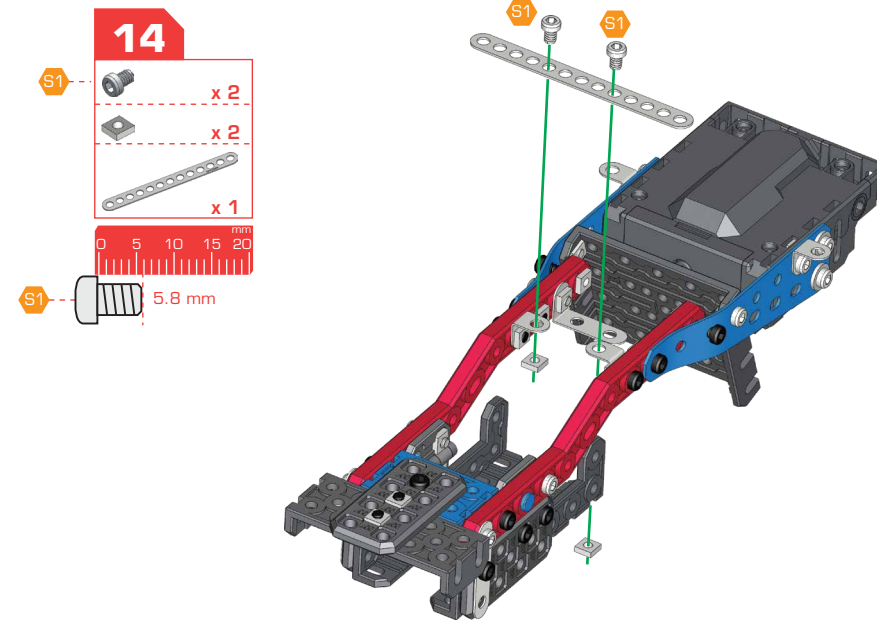
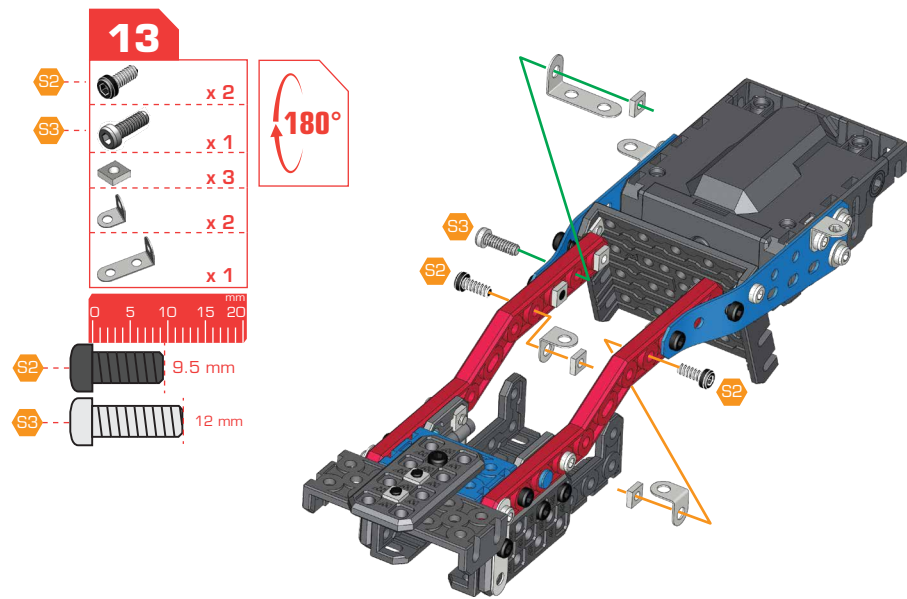
- 3**
- x 4
  - x 4
  - x 2
  - x 2
  - 12 mm

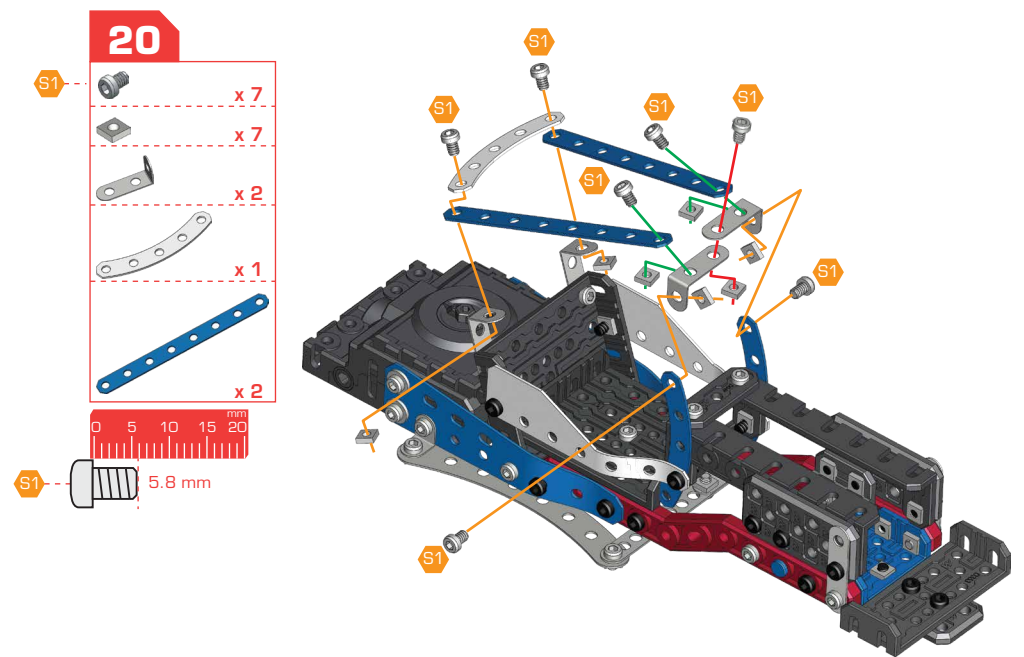
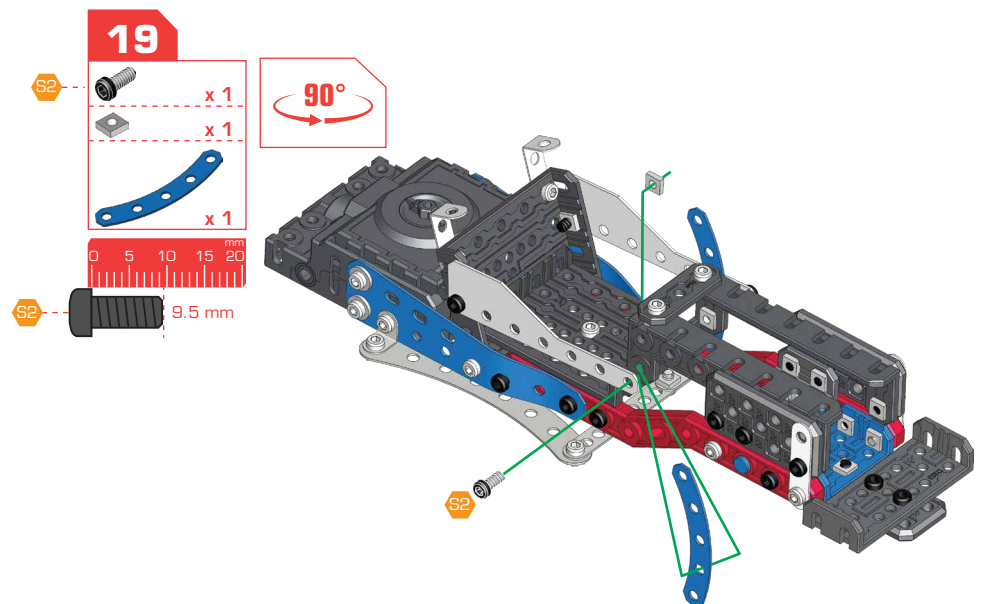
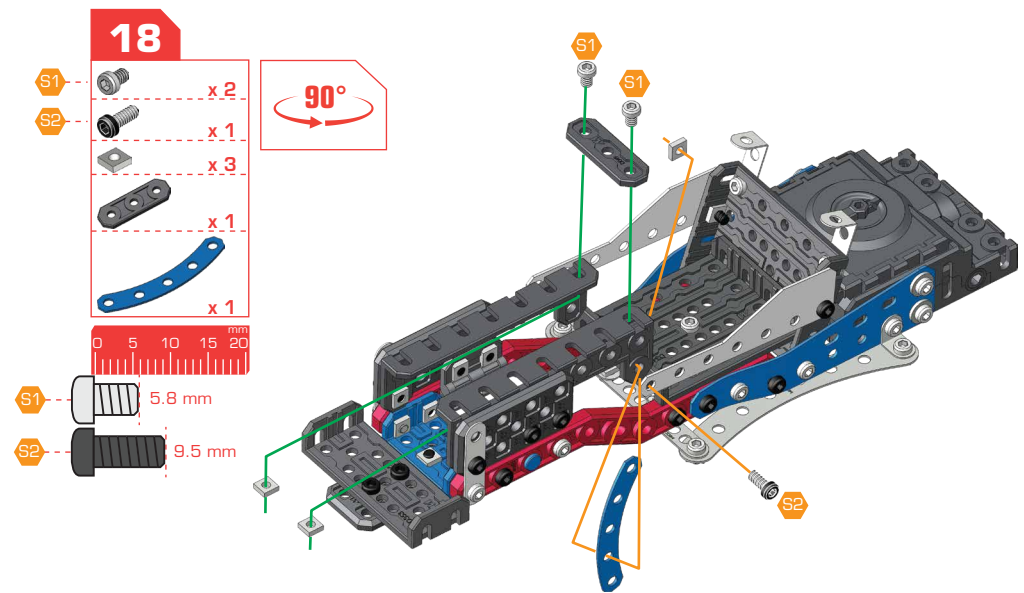
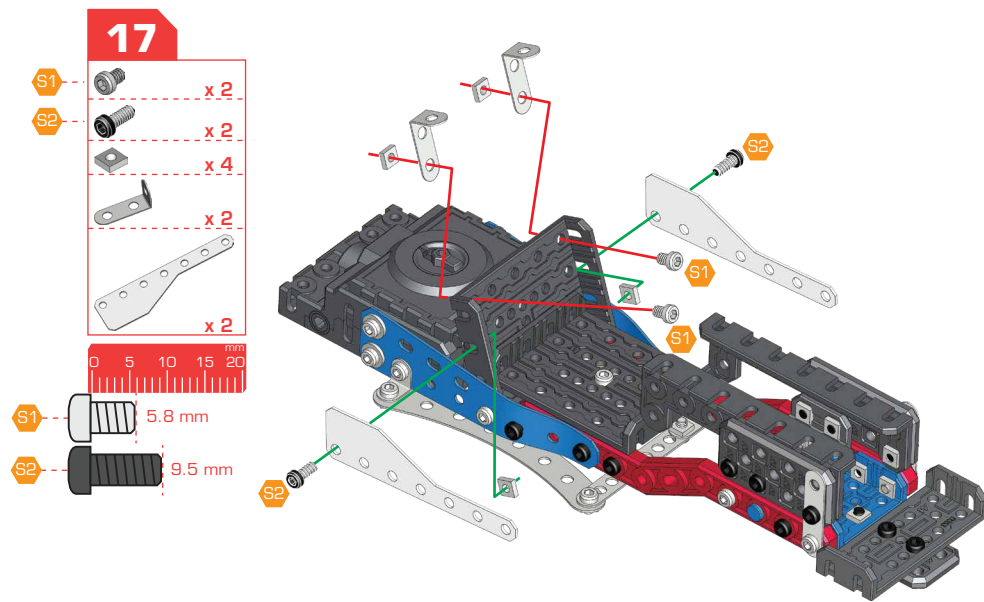


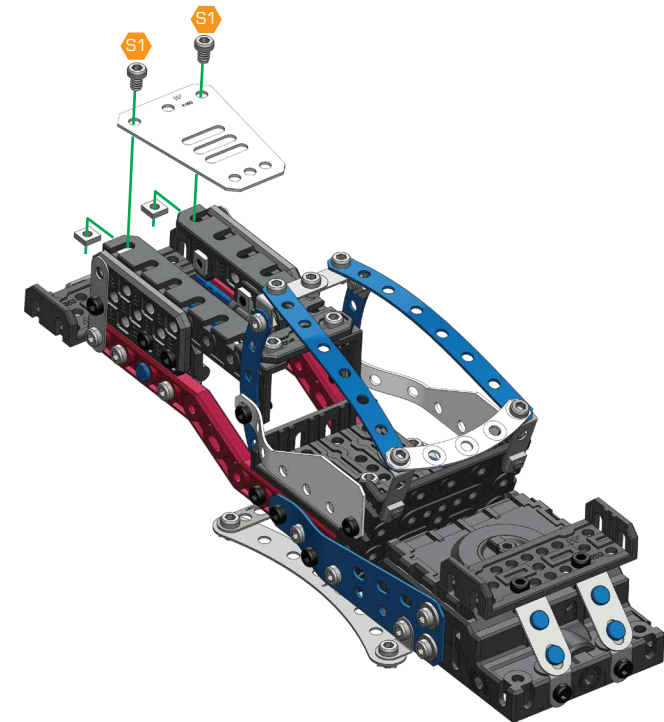
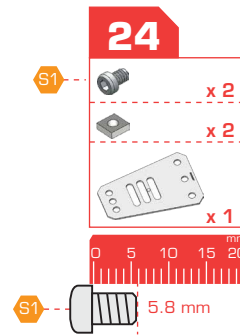
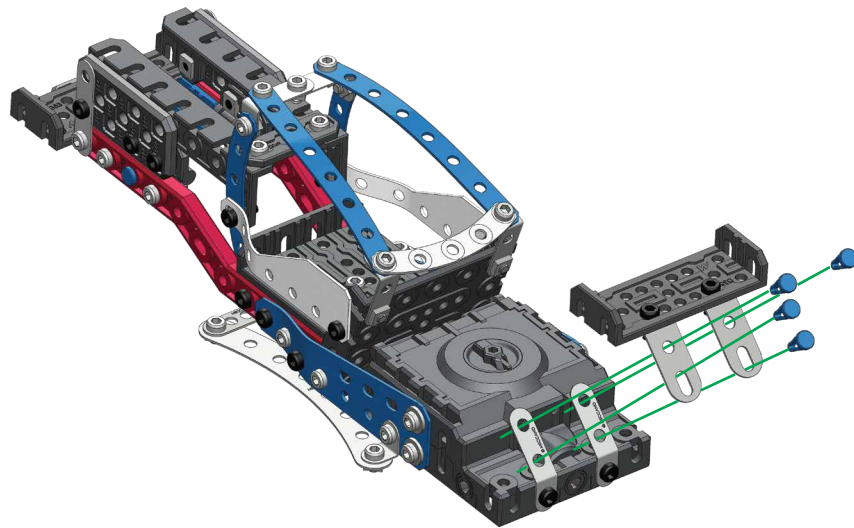
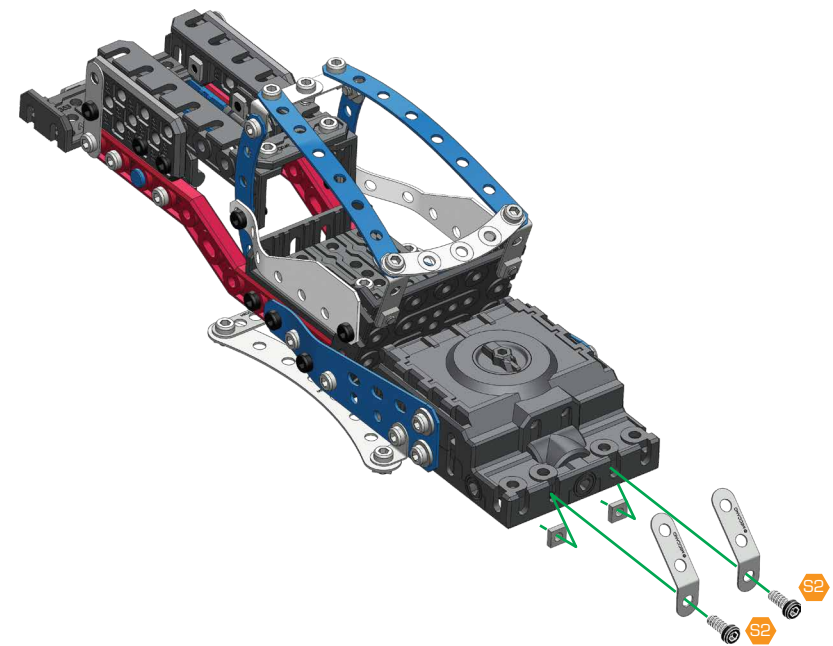
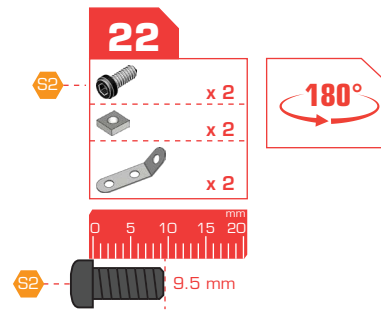
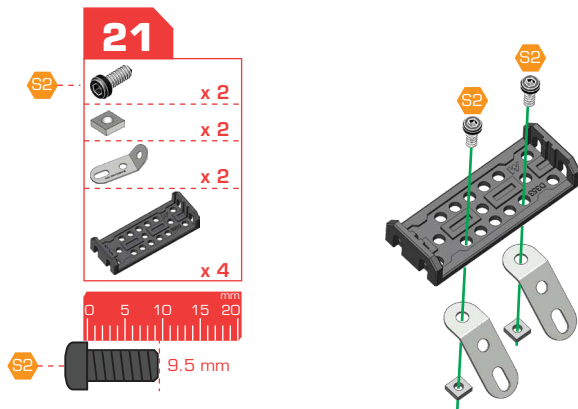




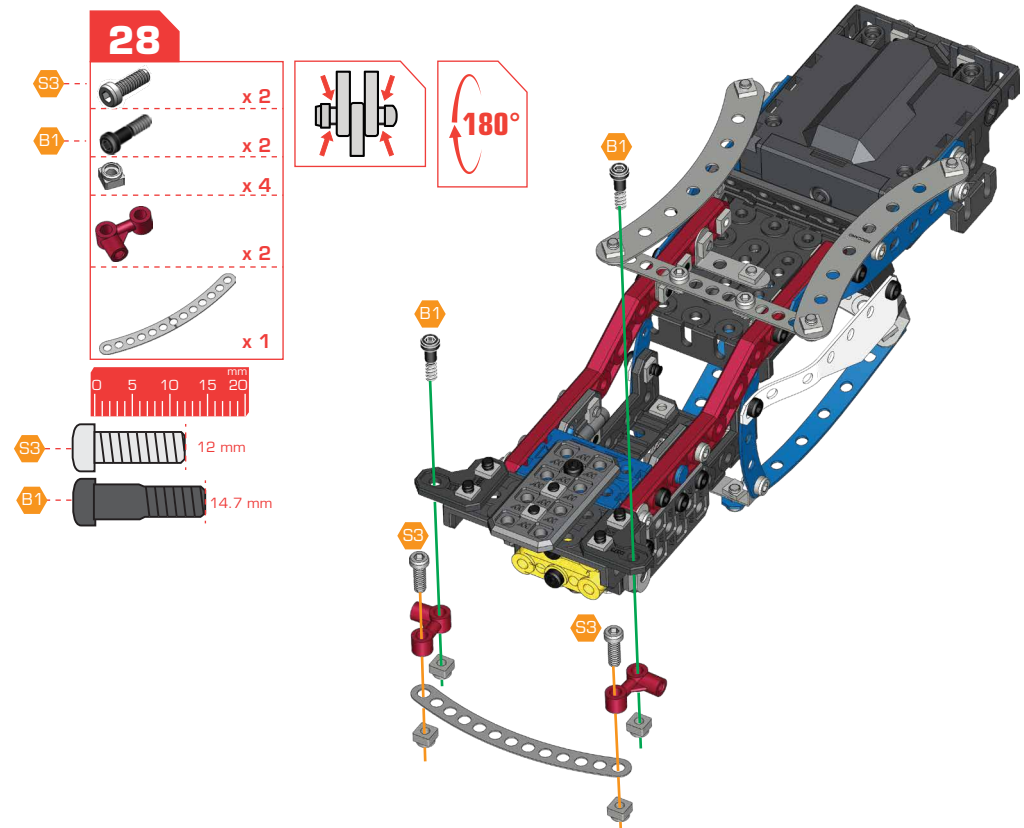
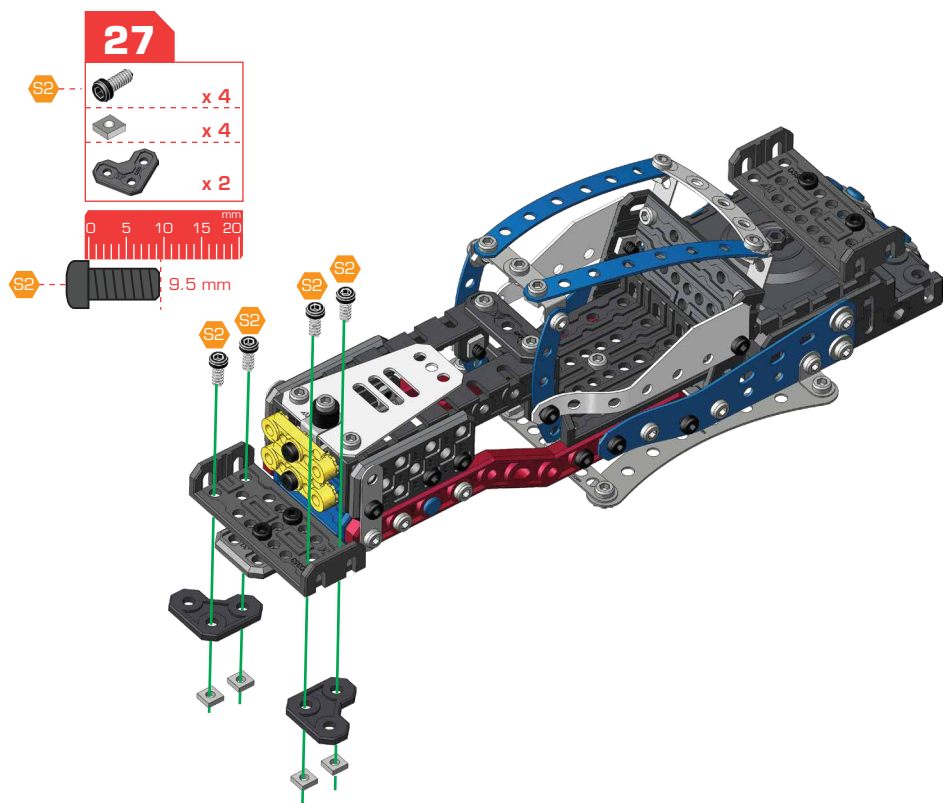
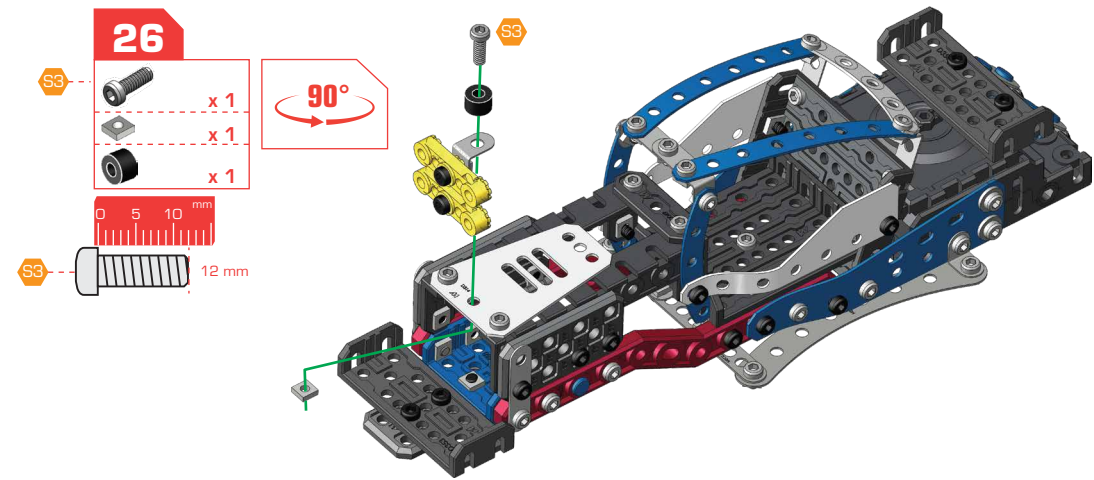
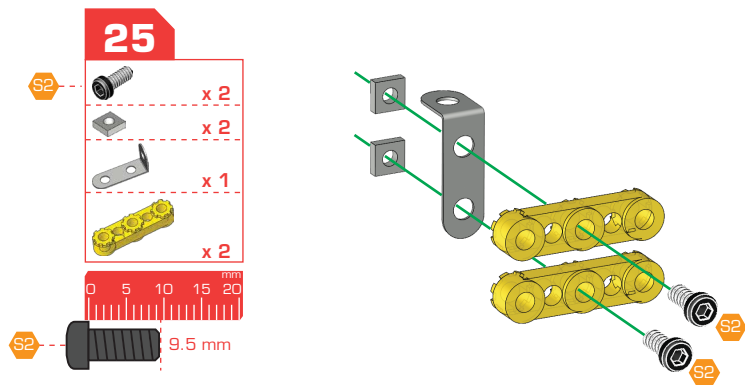












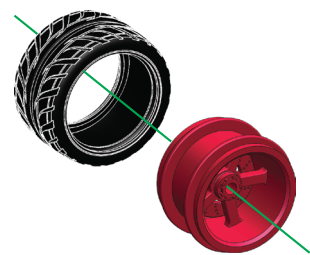
**29**



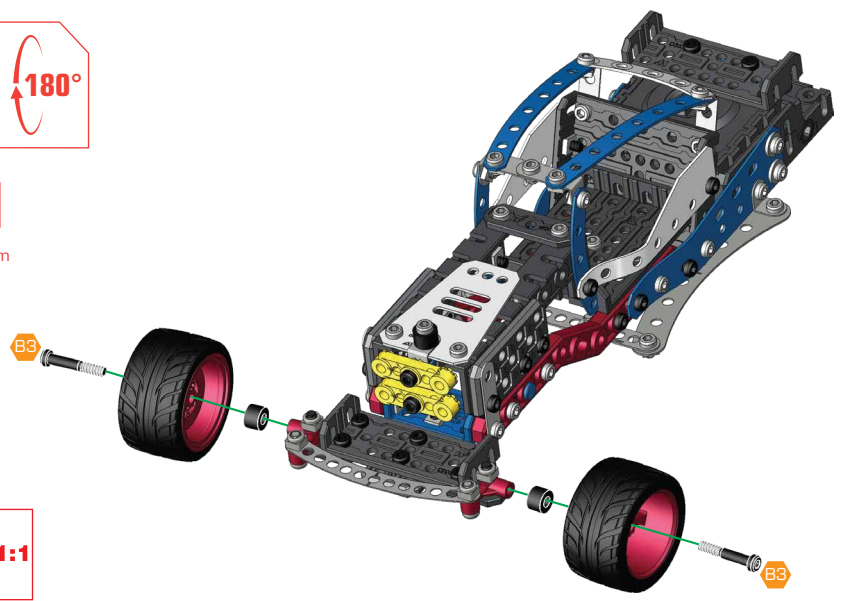
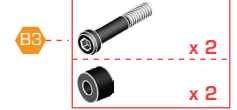
x 2



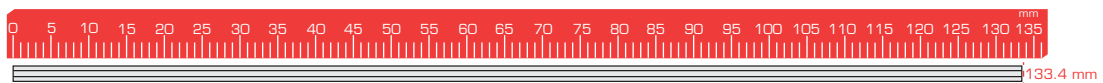
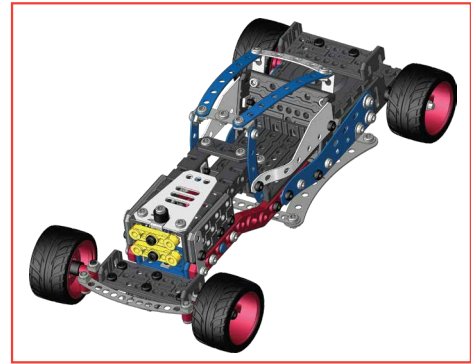
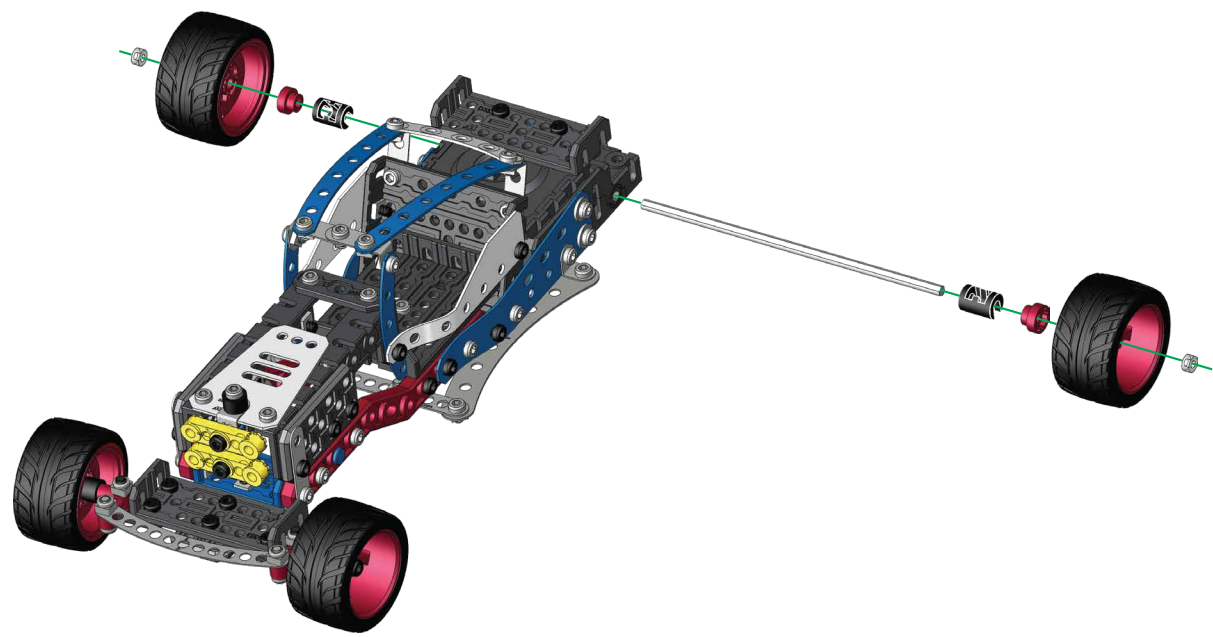
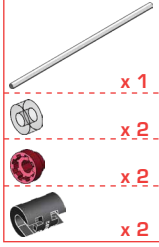
x 2



**30** 28+29



**31** 29+30



133.4 mm