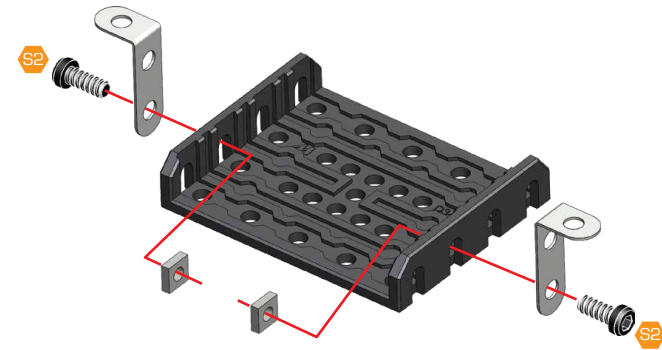
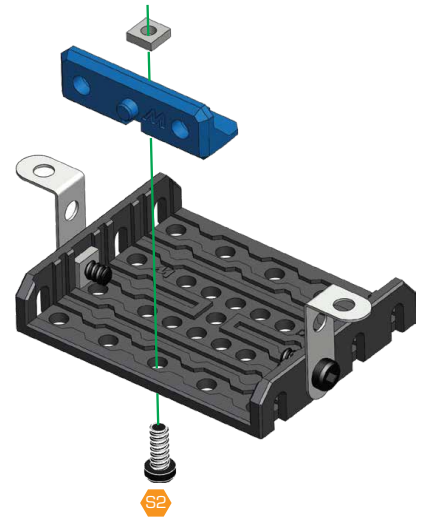


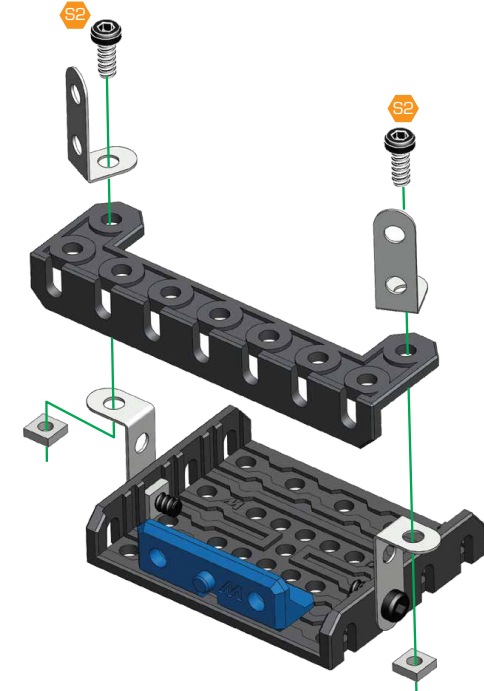
- 1**
- x 2
 - x 2
 - x 2
 - x 1
- 0 5 10 15 20 mm
- 9.5 mm

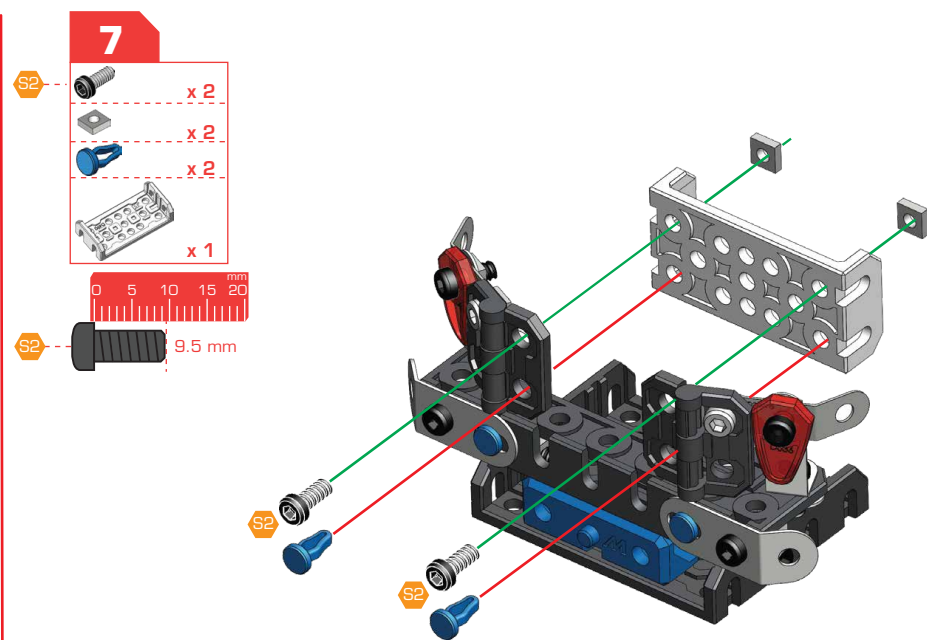
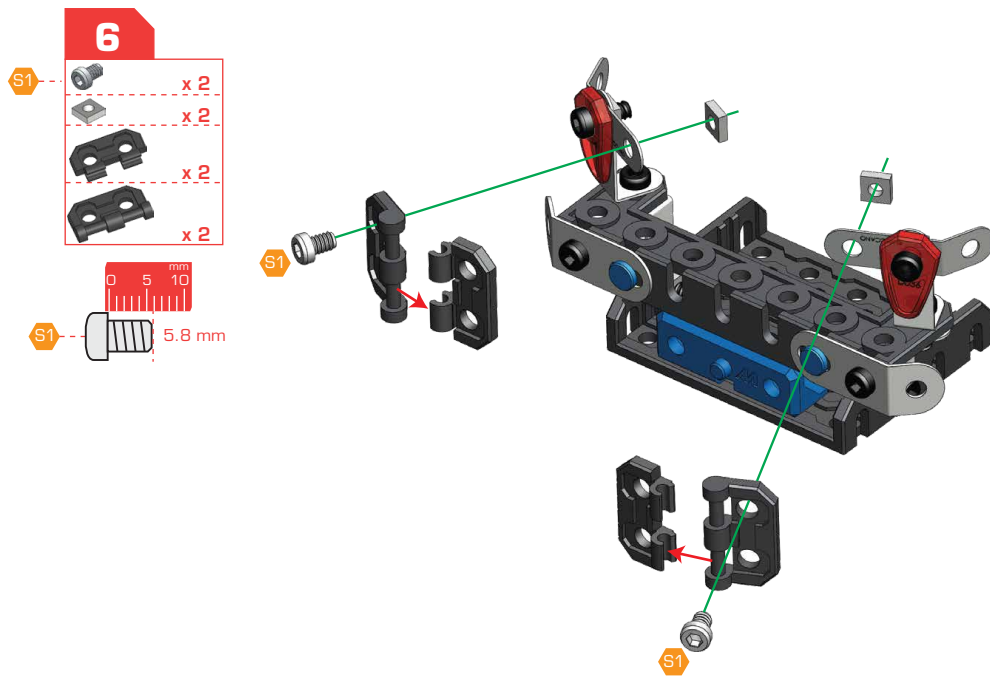
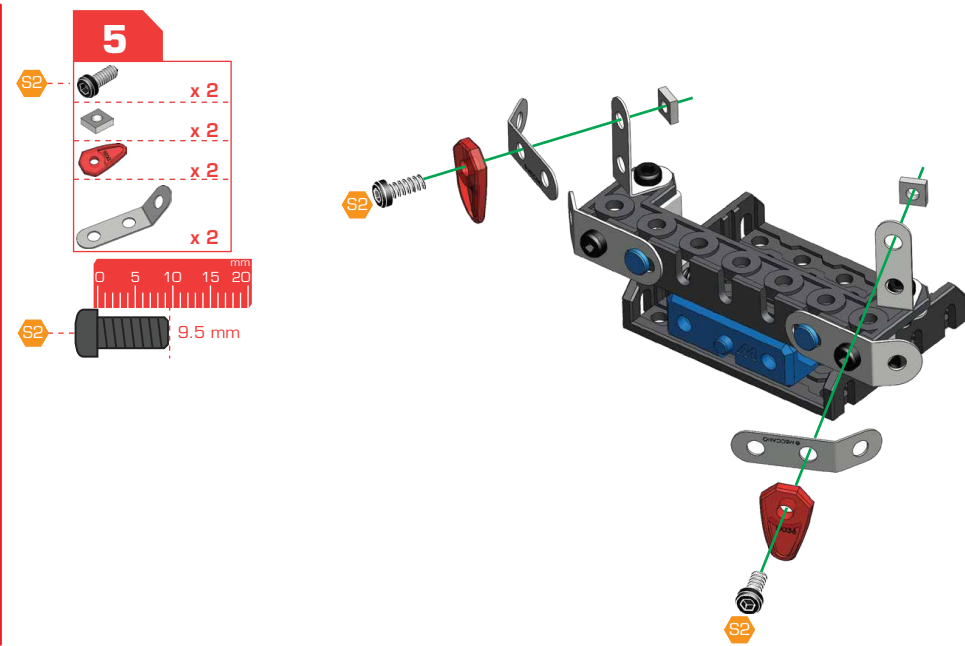
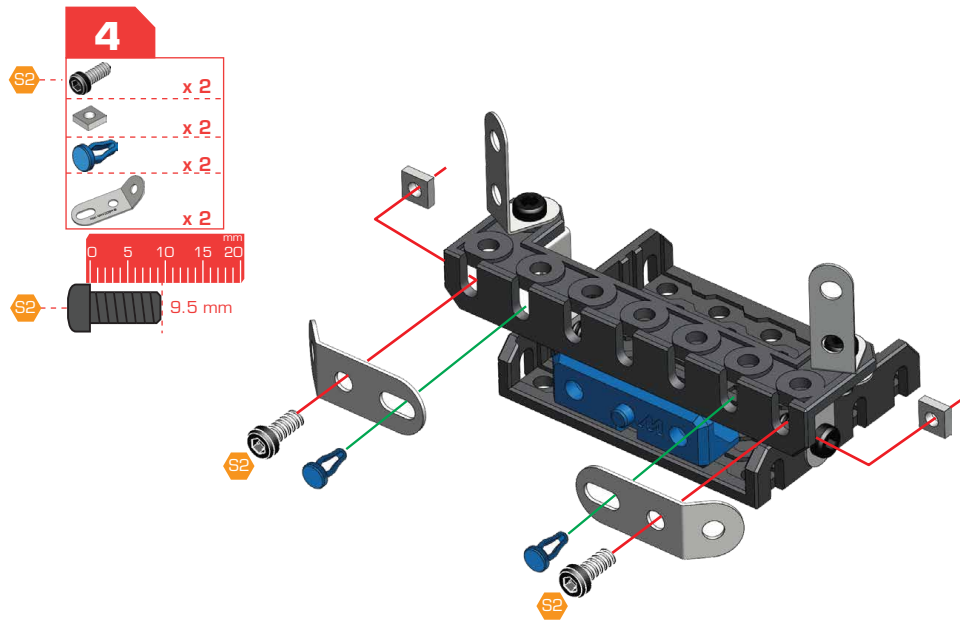


- 2**
- x 1
 - x 1
 - x 1
- 0 5 10 15 20 mm
- 9.5 mm

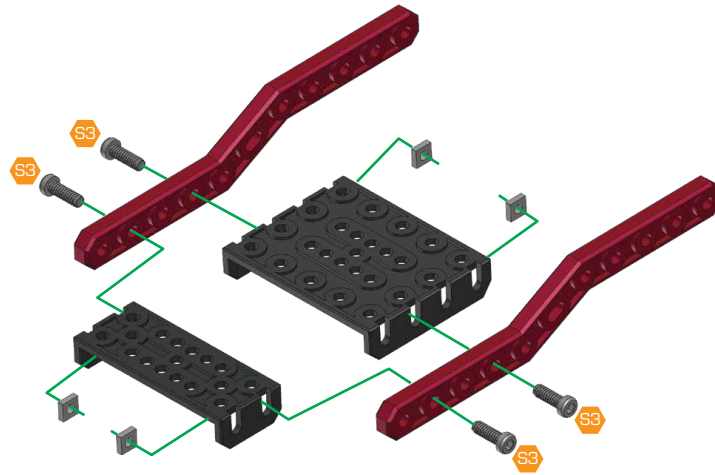


- 3**
- x 2
 - x 2
 - x 2
 - x 1
- 0 5 10 15 20 mm
- 9.5 mm

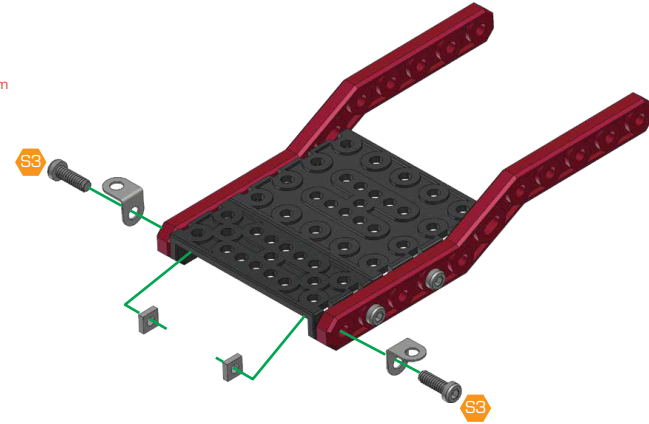




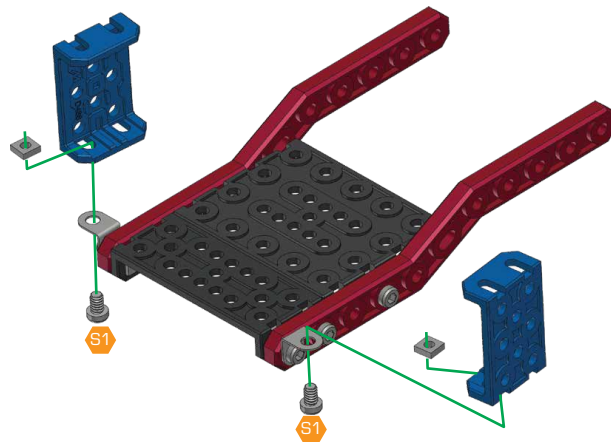
- 8**
- S3 x 4
 - x 4
 - x 2
 - x 1
 - x 1
 - 0 5 10 mm
 - S3 12 mm



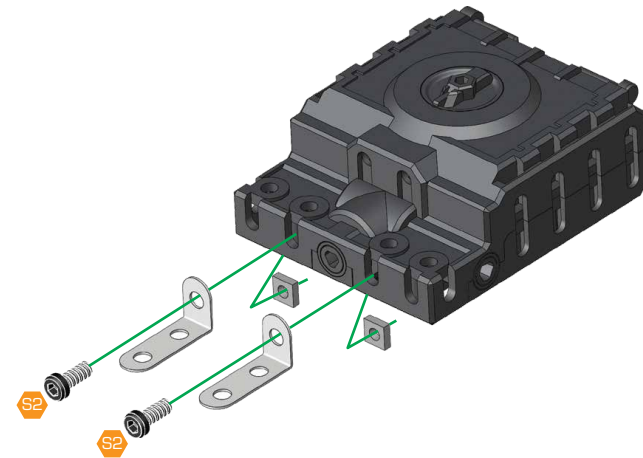
- 9**
- S3 x 2
 - x 2
 - x 2
 - 0 5 10 mm
 - S3 12 mm

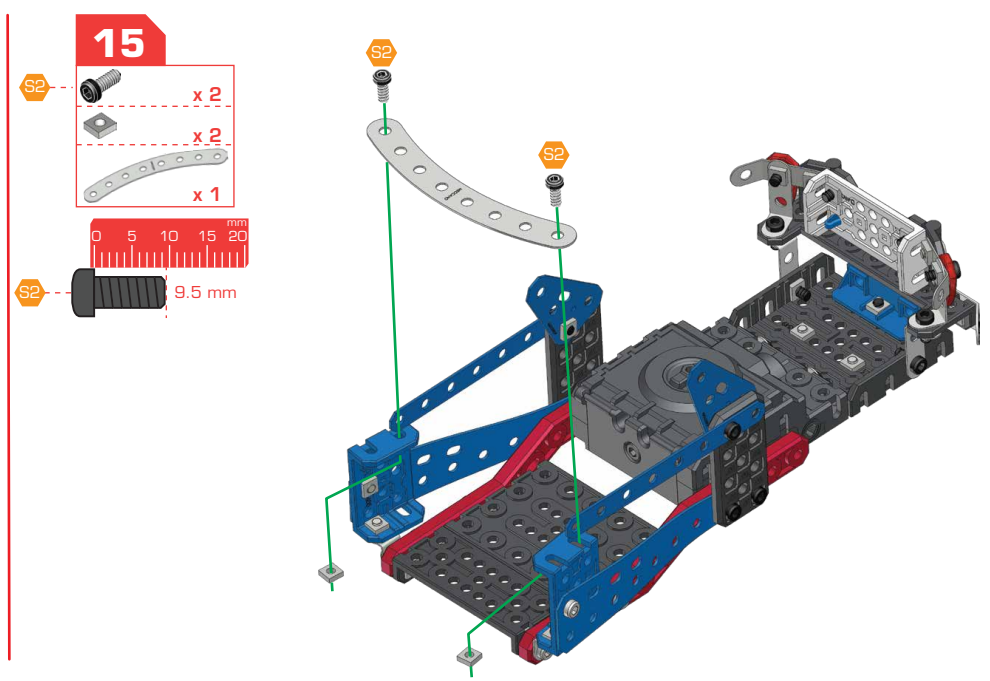
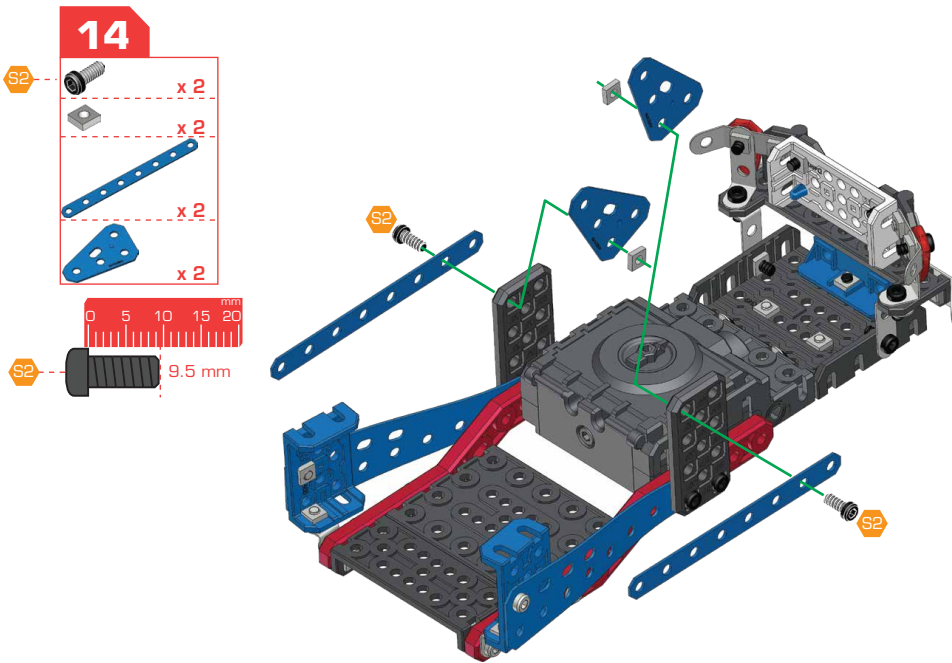
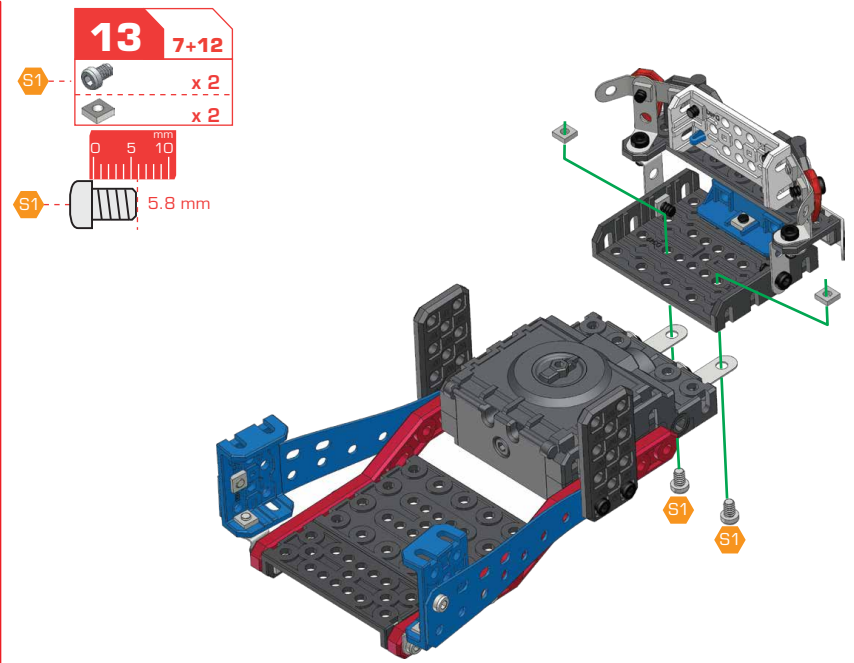
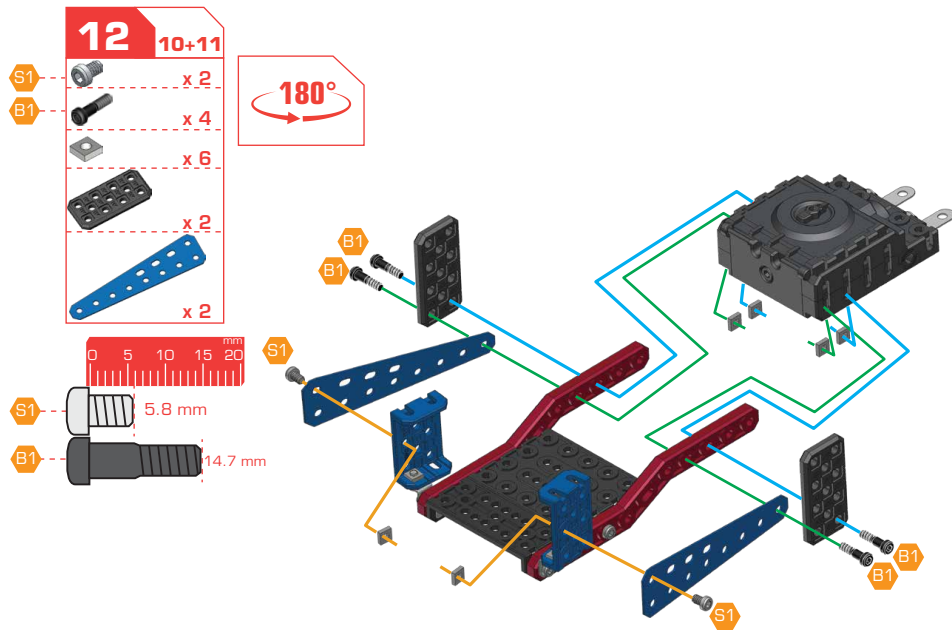


- 10**
- S1 x 2
 - x 2
 - x 2
 - 0 5 10 mm
 - S1 5.8 mm



- 11**
- S2 x 2
 - x 2
 - x 2
 - x 1
 - 0 5 10 15 20 mm
 - S2 9.5 mm



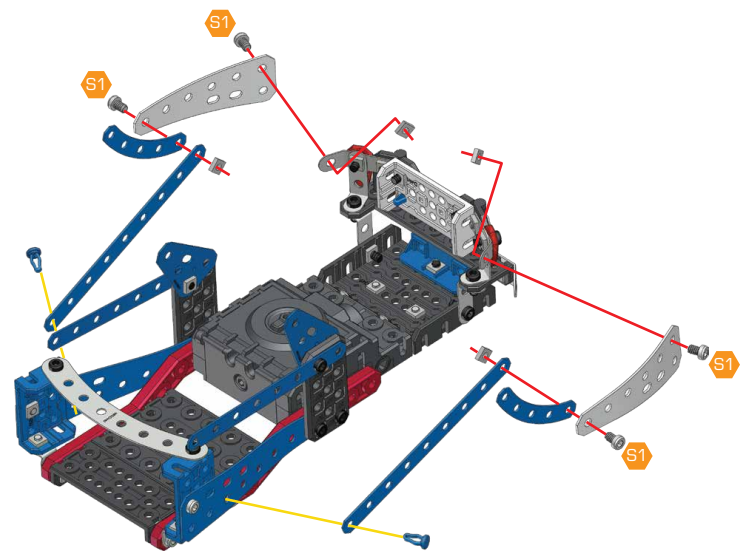


16

- S1 x 4
- x 2
- x 4
- x 2
- x 2
- x 2

0 5 10 mm

S1 5.8 mm

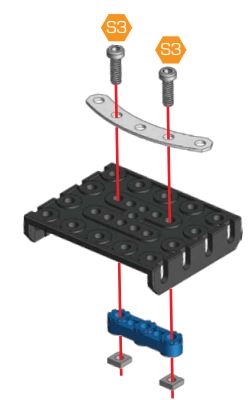


17

- S3 x 2
- x 2
- x 1
- x 1
- x 1

0 5 10 mm

S3 12 mm

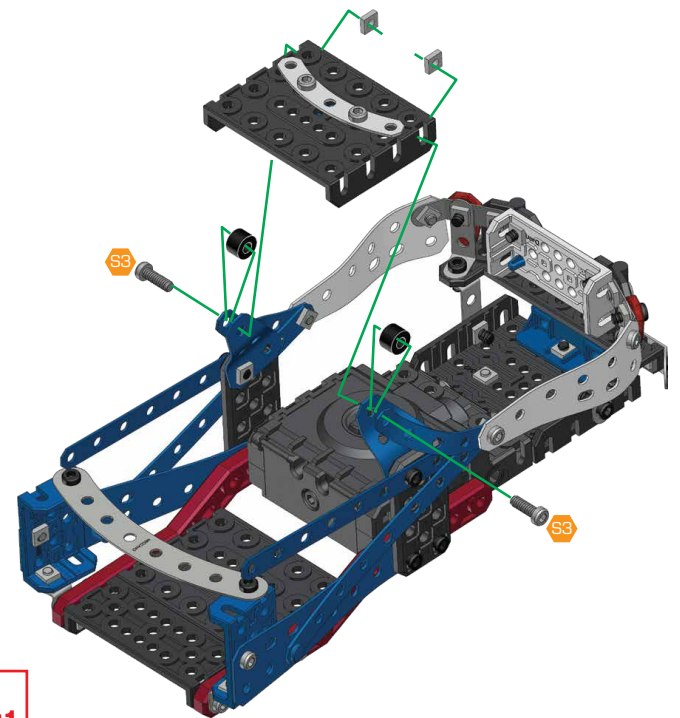


18 16+17

- S3 x 2
- x 2
- x 2

0 5 10 mm

S3 12 mm

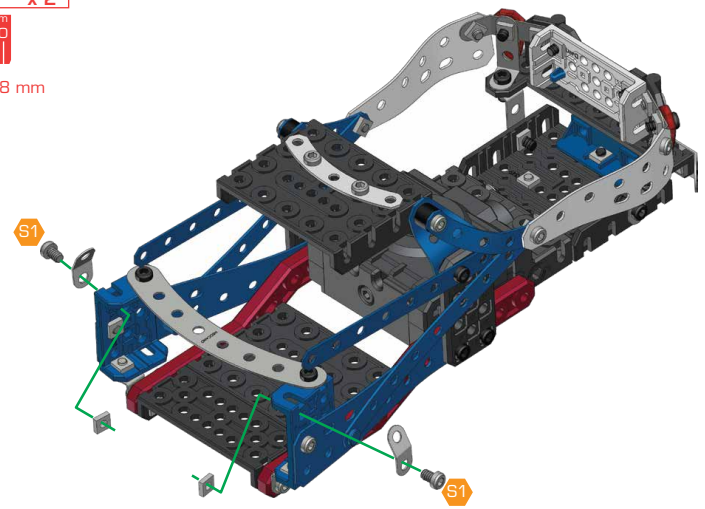


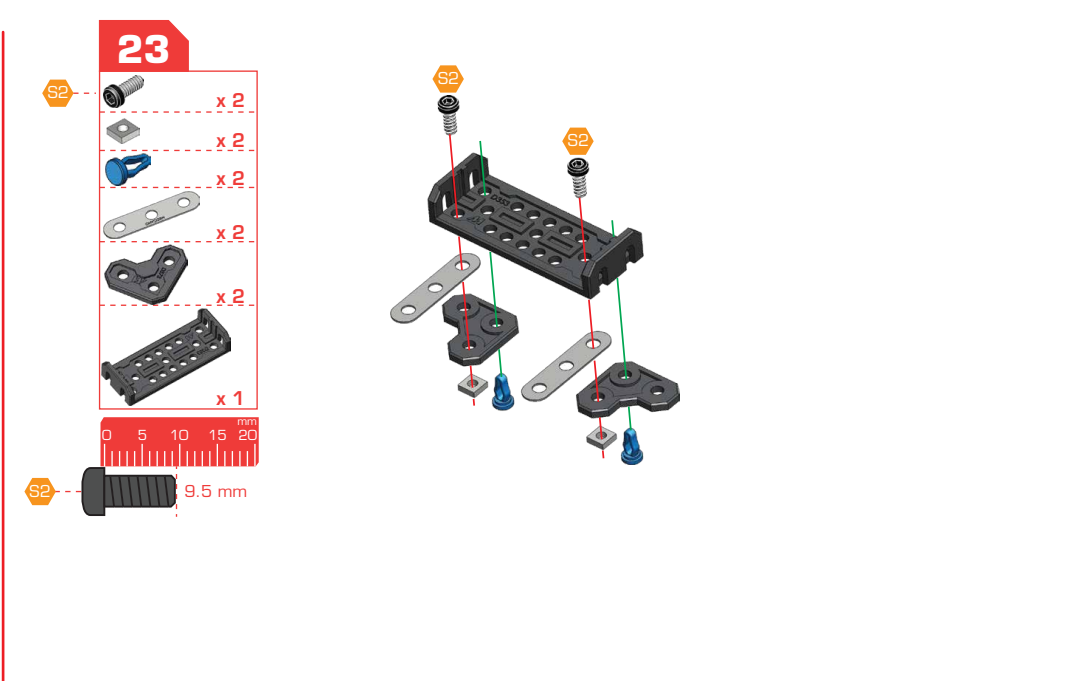
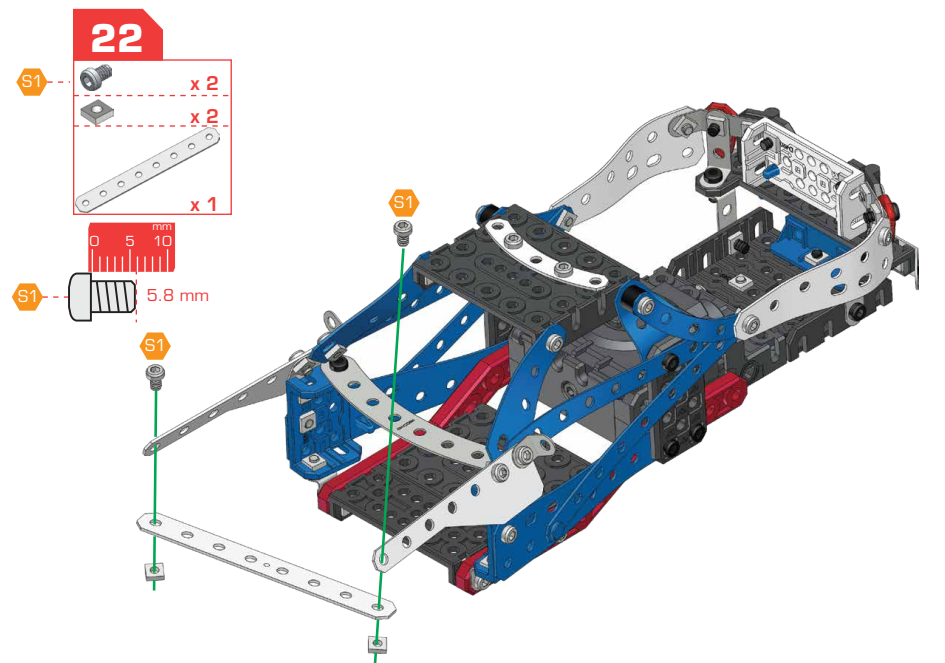
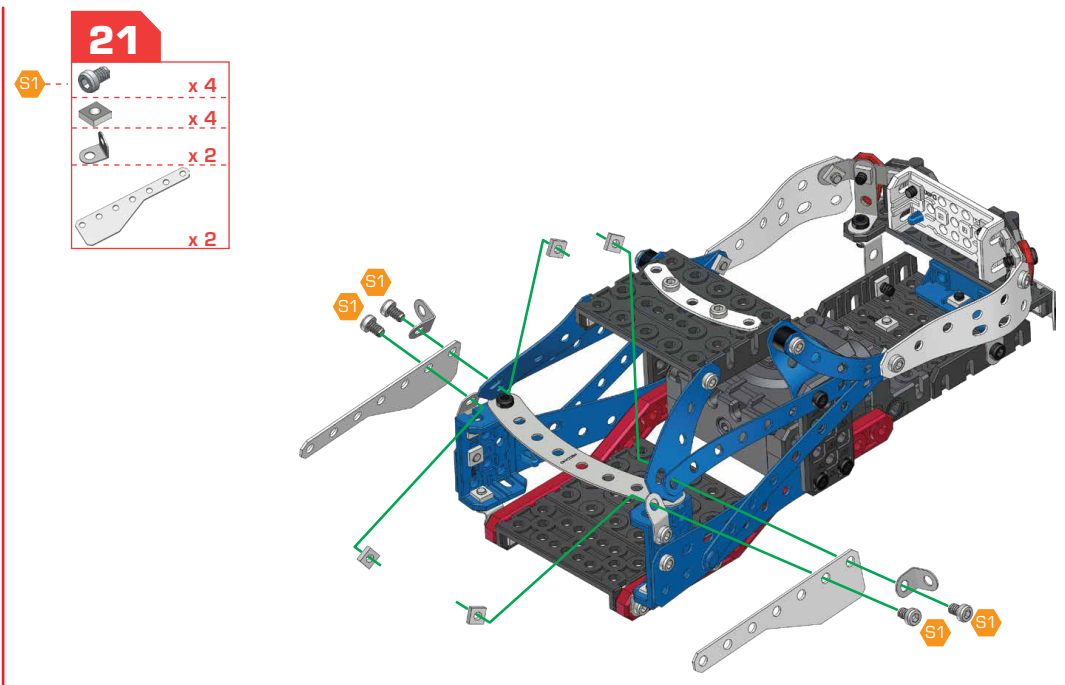
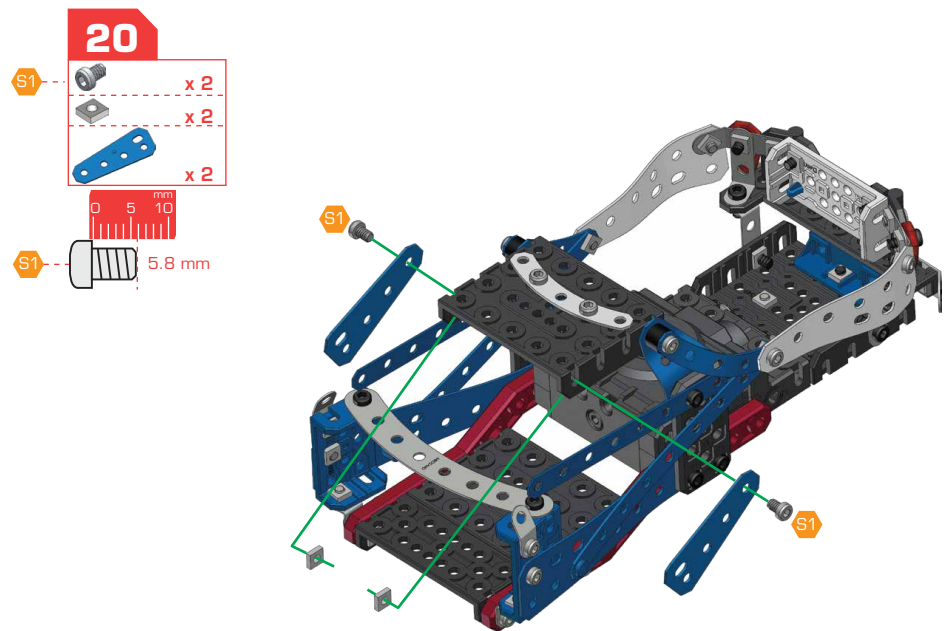
19

- S1 x 2
- x 2
- x 2

0 5 10 mm

S1 5.8 mm



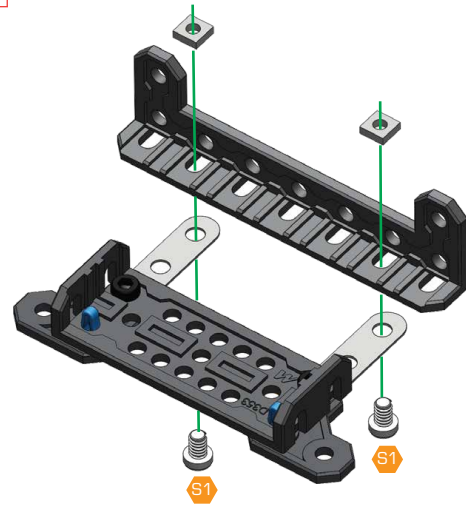


24

- S1 x 2
- x 2
- x 1

180°

S1 5.8 mm

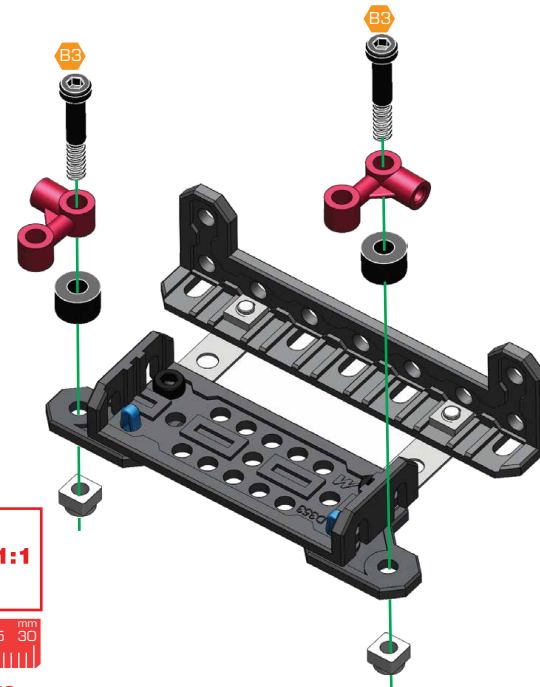


25

- B3 x 2
- x 2
- x 2
- x 2

A238 1:1

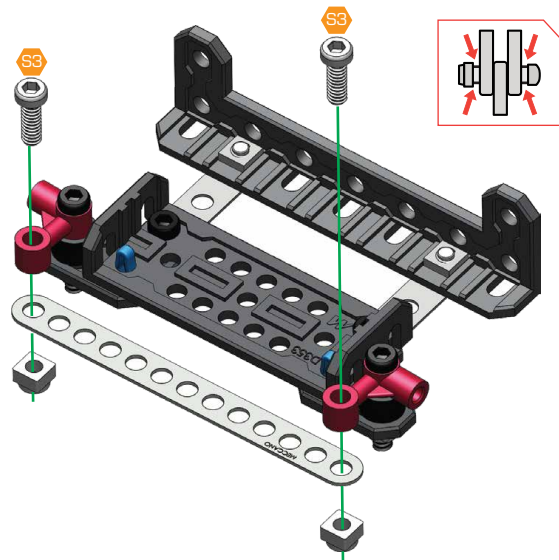
B3 23 mm



26

- S3 x 2
- x 2
- x 1

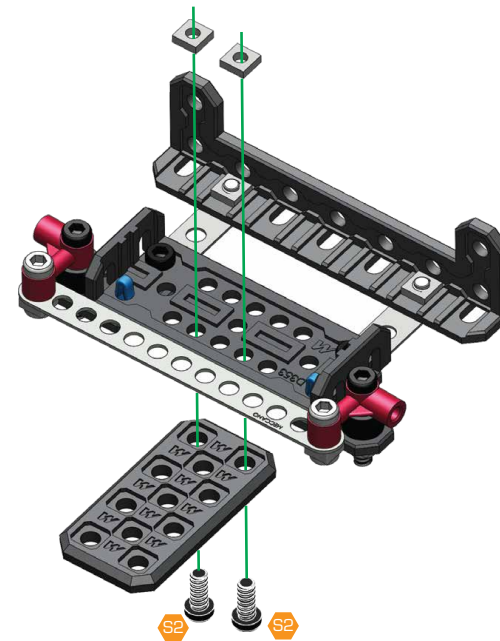
S3 12 mm


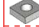






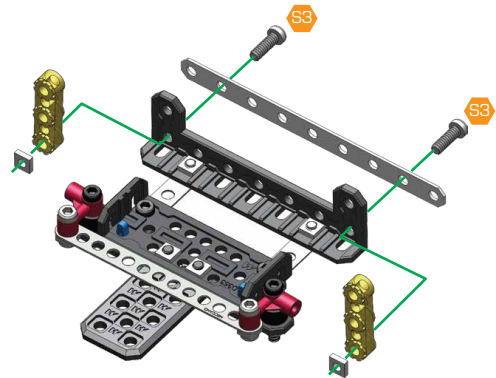
27





- S2 x 2
- x 2
- x 1

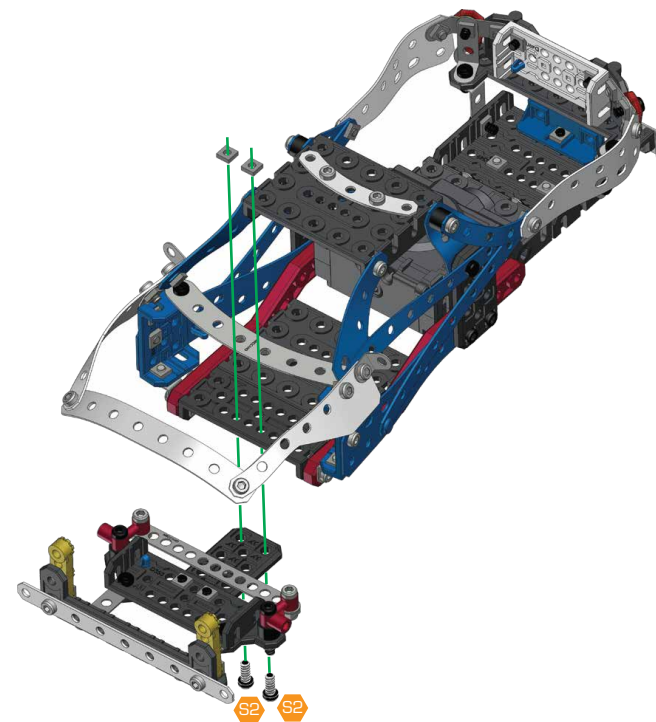
S2 9.5 mm









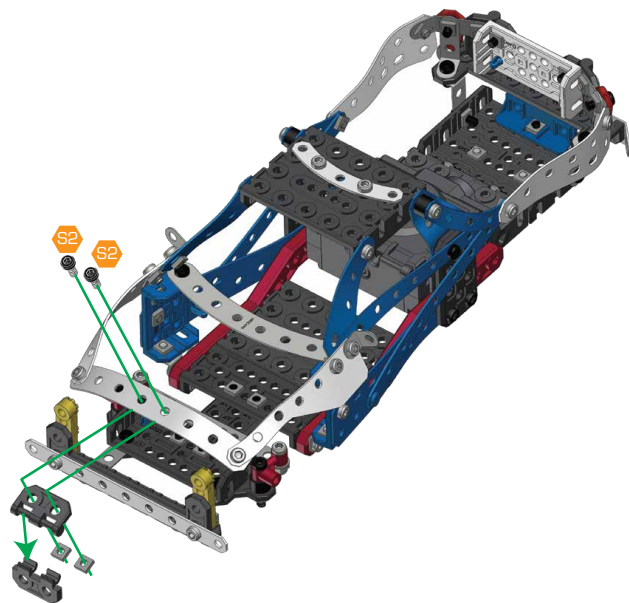
- 28**
-  x 2
 -  x 2
 -  x 2
 -  x 1
-  0 5 10 mm
-  12 mm









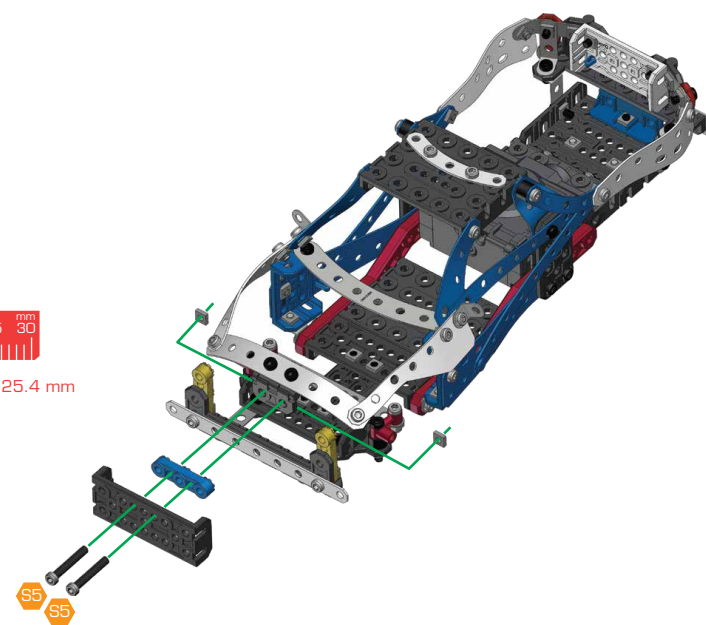
- 29** 22+28
-  x 2
 -  x 2
 -  9.5 mm
-  0 5 10 15 20 mm

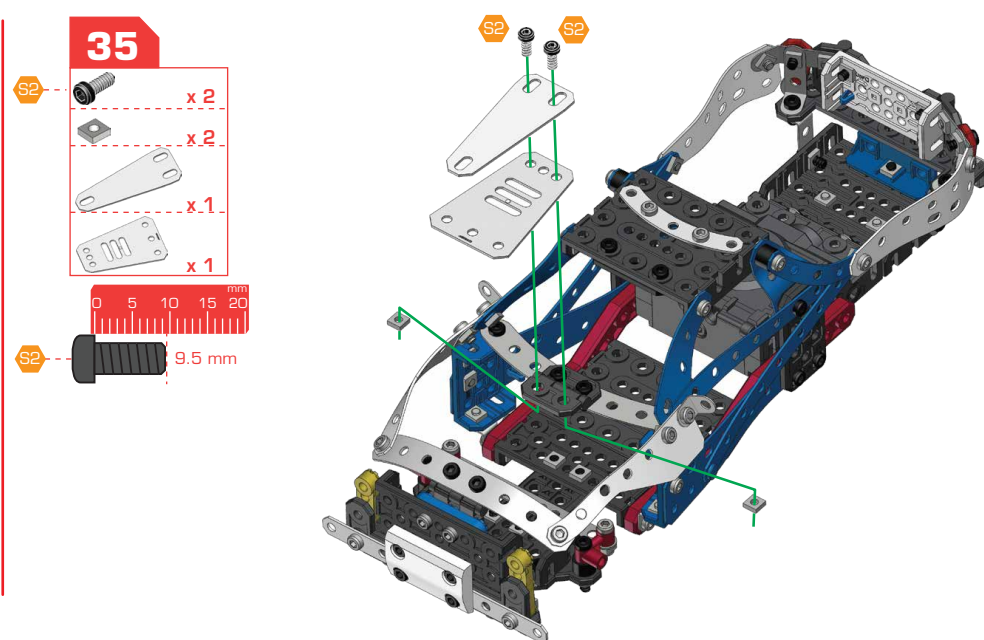
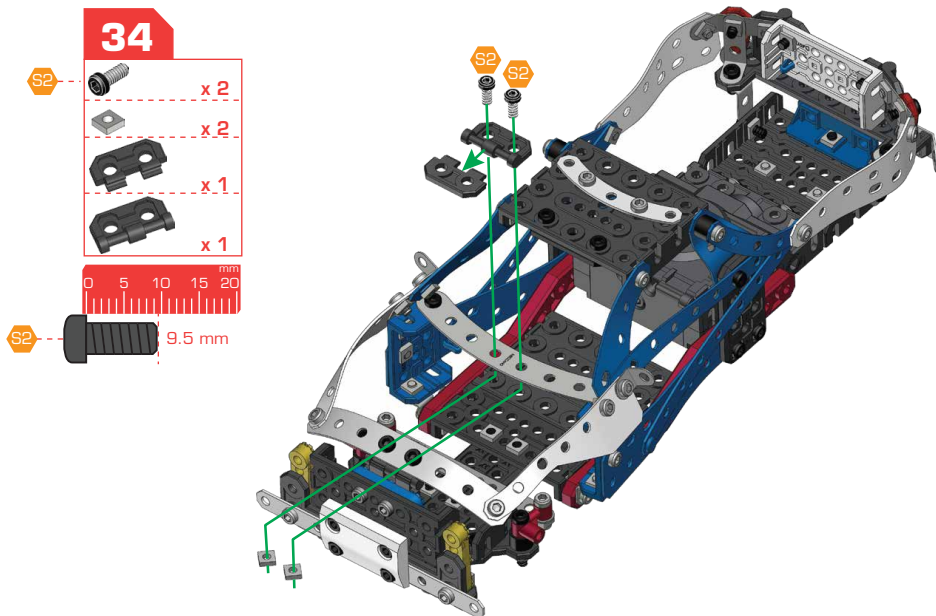
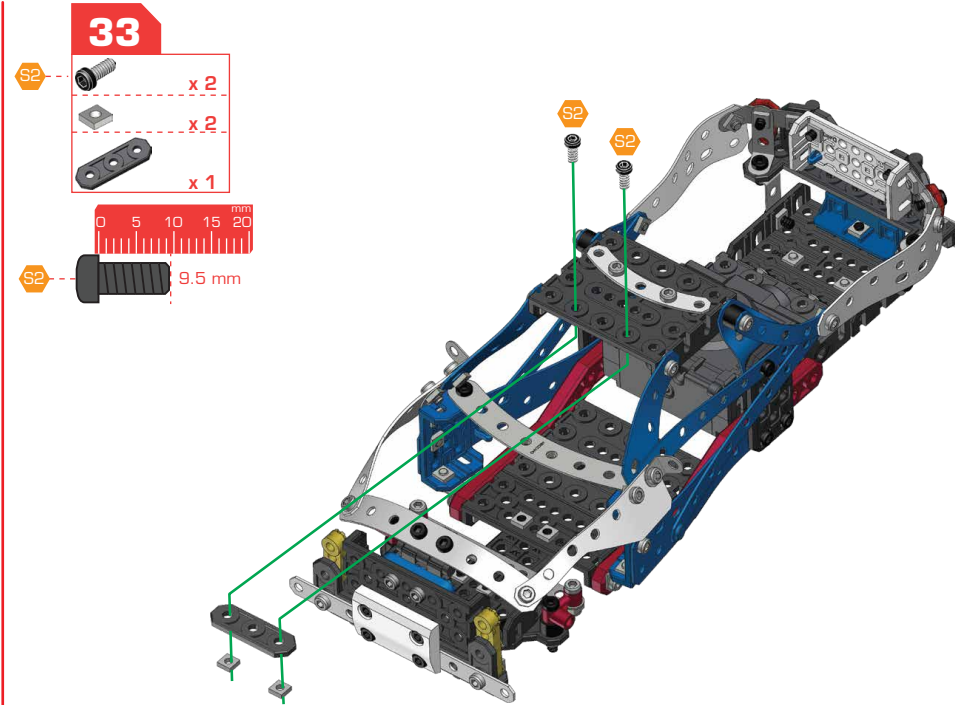
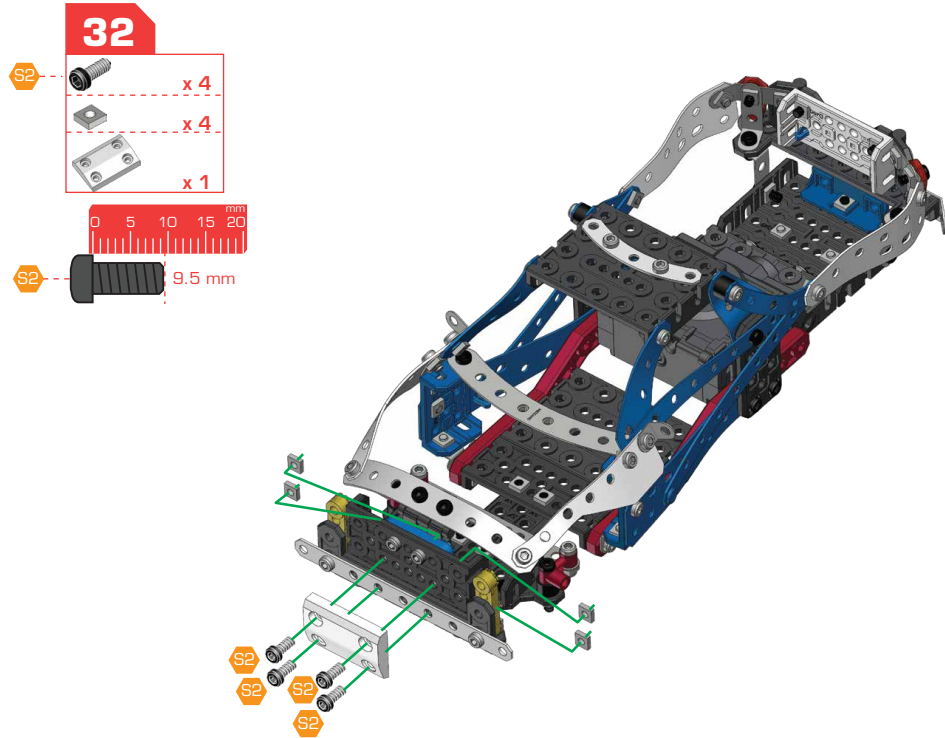


- 30**
-  x 2
 -  x 2
 -  x 1
 -  x 1
-  0 5 10 15 20 mm
-  9.5 mm

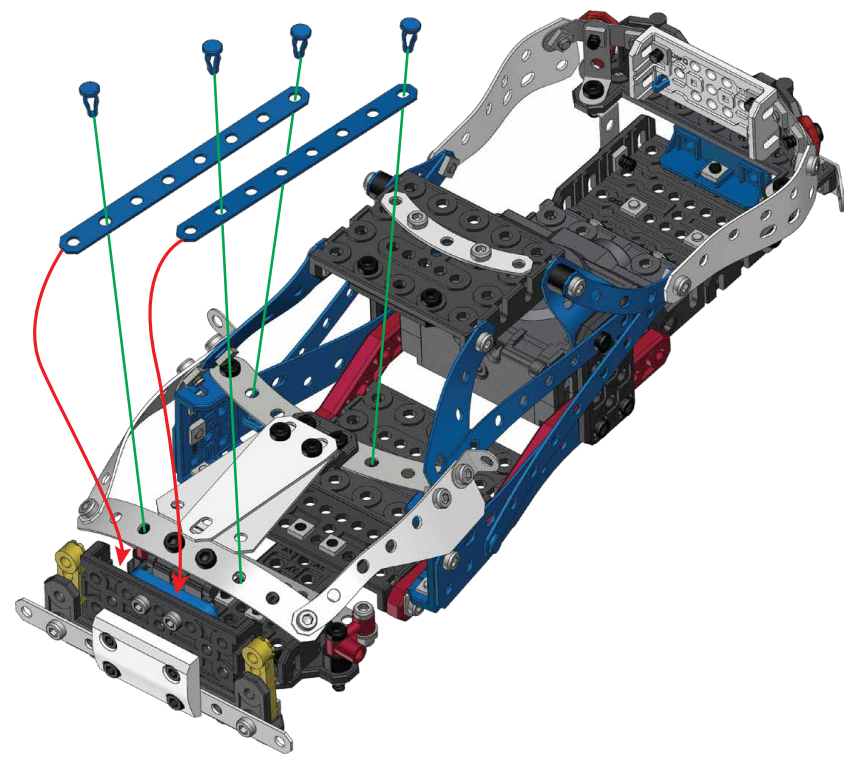
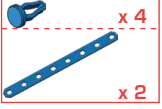


- 31**
-  x 2
 -  x 2
 -  x 1
 -  x 1
-  0 5 10 15 20 25 30 mm
-  25.4 mm





36



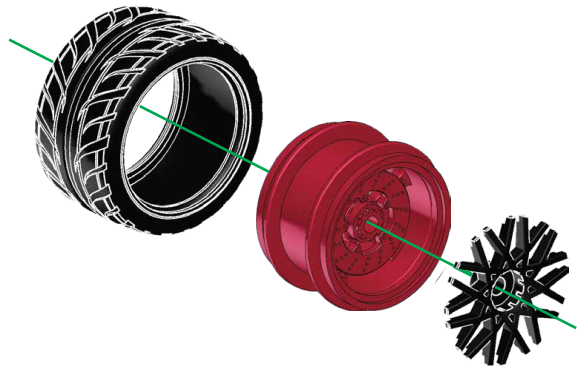
37







x2

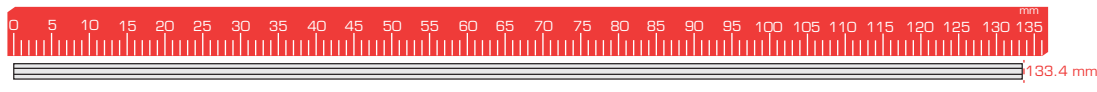
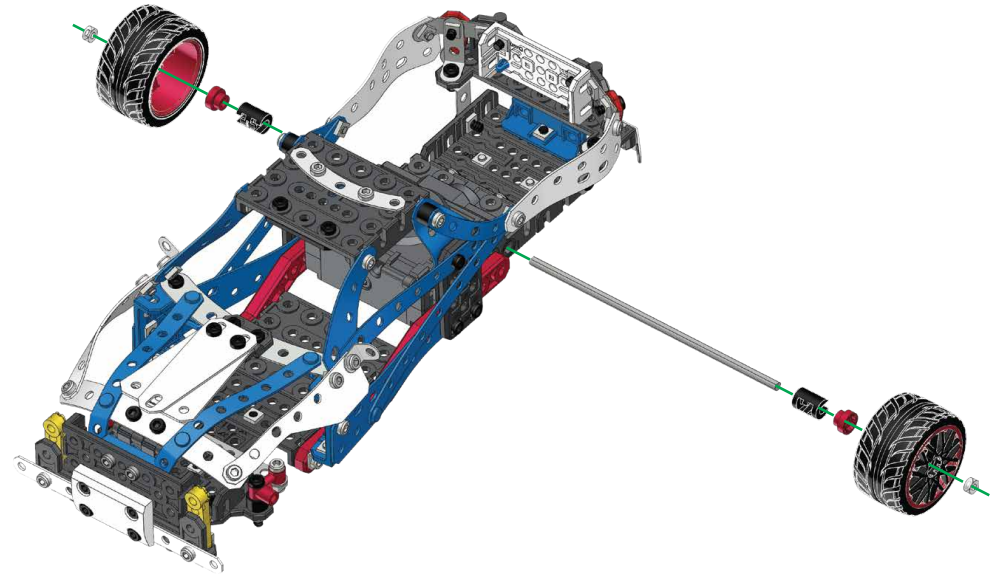


x2


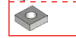


38 36+37

-  x 2
-  x 2
-  x 2
-  x 1



39 37+38

-  x 2
-  x 2

