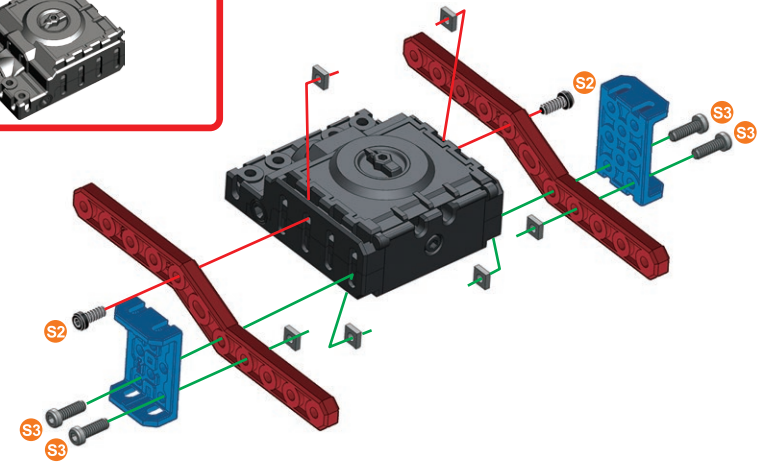


1

	12 mm 1/2"	x4		x2
	9.5 mm 3/8"	x2		
		x6		
		x2		

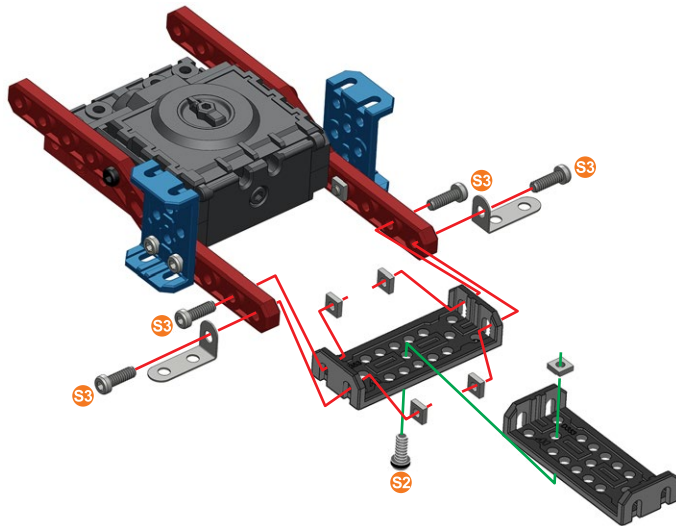
	1:1



2

	9.5 mm 3/8"	x1
	12 mm 1/2"	x4
		x5
		x2
		x2

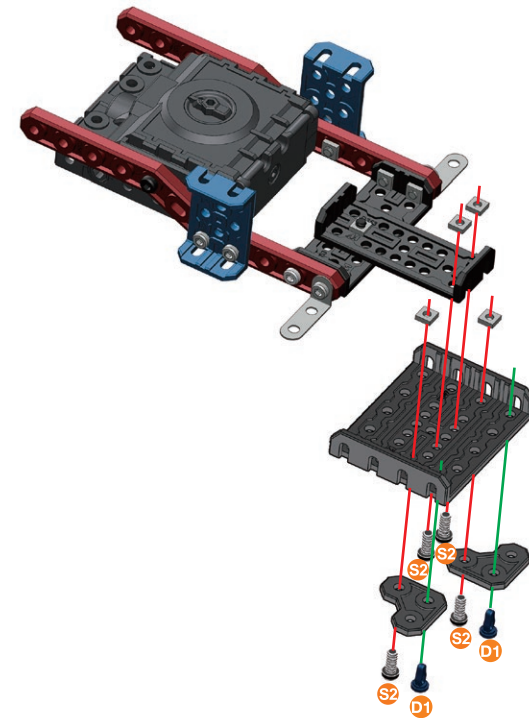
	1:1








3

	9.5 mm 3/8"	x4
		x4
	11.25 mm 7/16"	x2
		x1
		x2

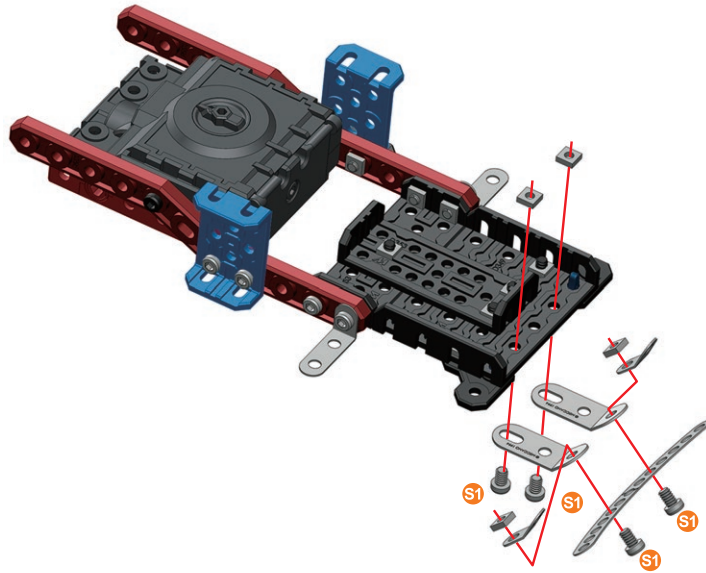
	1:1







4

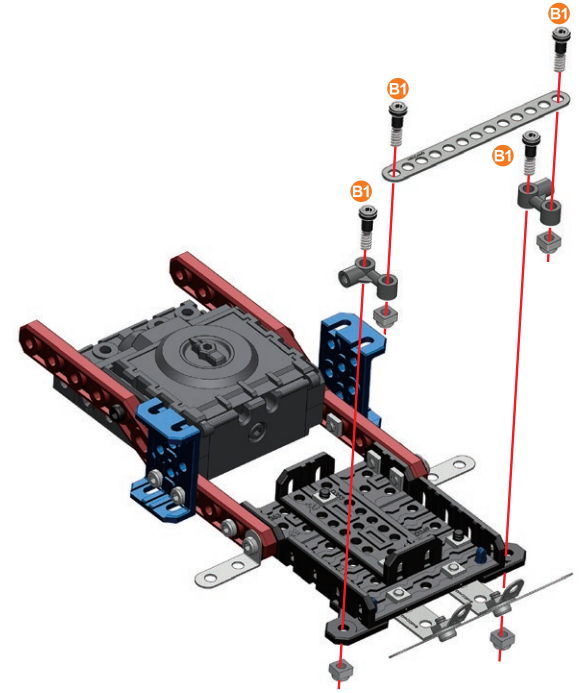
	5.8 mm 15/64"	x4
		x4
		x2
		x2
		x1









	S1	1:1
---	----	-----

**5**

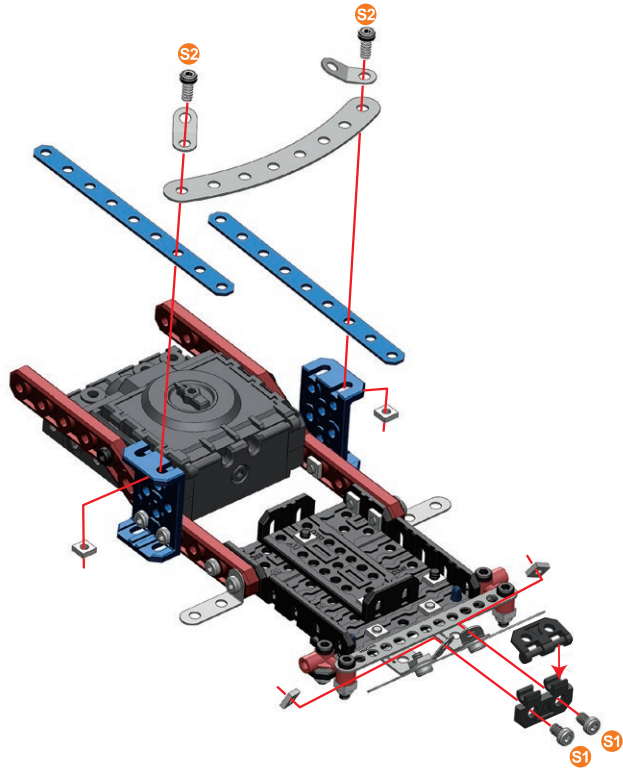
	14.7 mm 37/64"	x4
		x4
		x2
		x1

	B1	1:1
---	----	-----

**6**

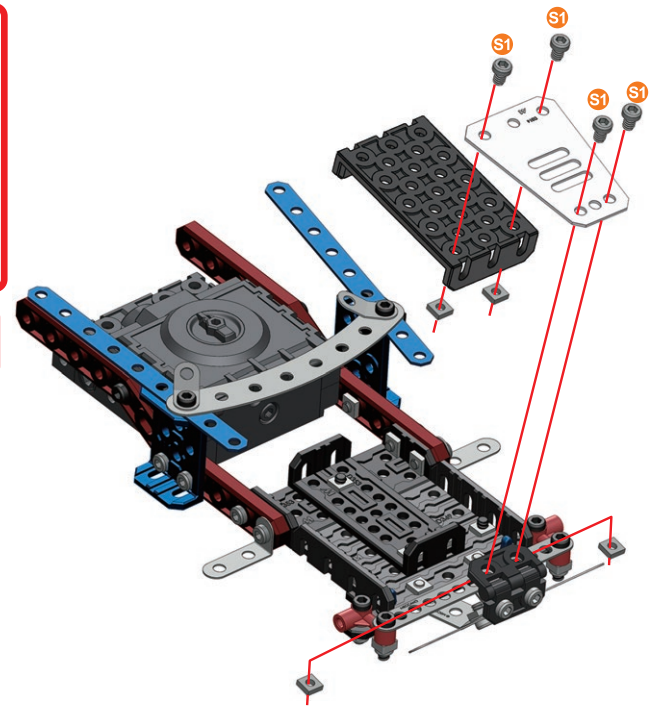
	5.8 mm 15/64"	x2
	9.5 mm 3/8"	x2
		x4
		x2
		x2
		x1
		x1
		x1

	S1	1:1
	S2	

**7**

	5.8 mm 15/64"	x4
		x4
		x1
		x1

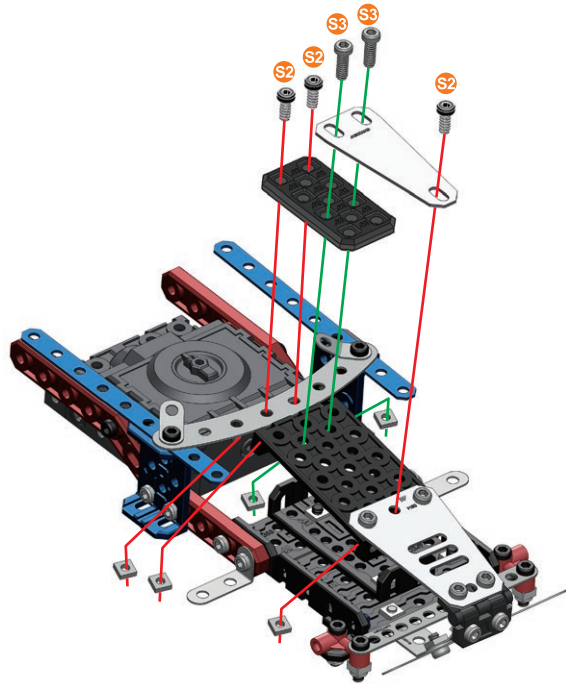
	S1	1:1
---	----	-----











8

	9,5 mm 3/8"	x3
	12 mm 1/2"	x2
		x5
		x1
		x1

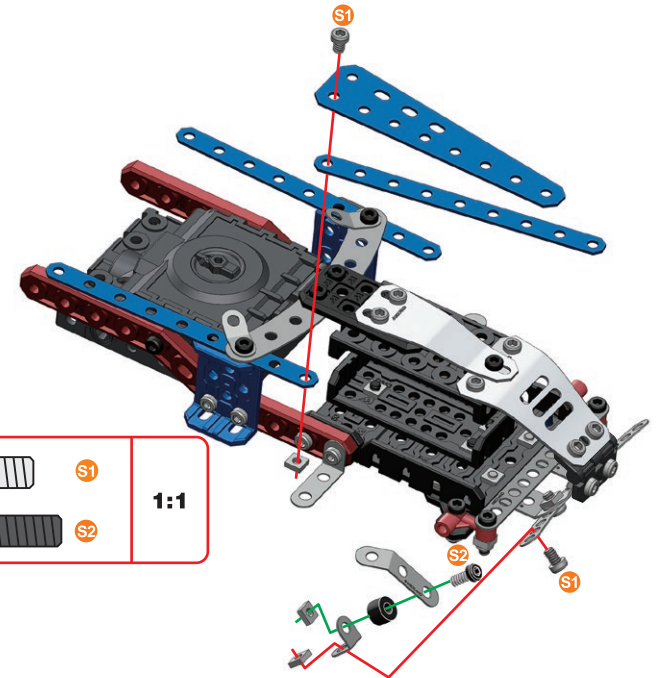
	S2	1:1
	S3	



**9**

	5,8 mm 15/64"	x2
	9,5 mm 3/8"	x1
		x3
		x1
		x1
		x1
		x1
		x1

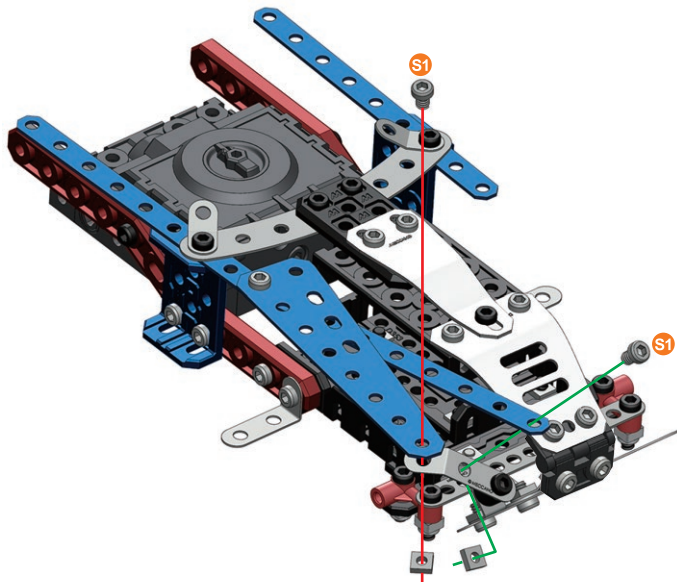
	S1	1:1
	S2	




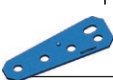

		A238	1:1
---	---	------	-----



**10**

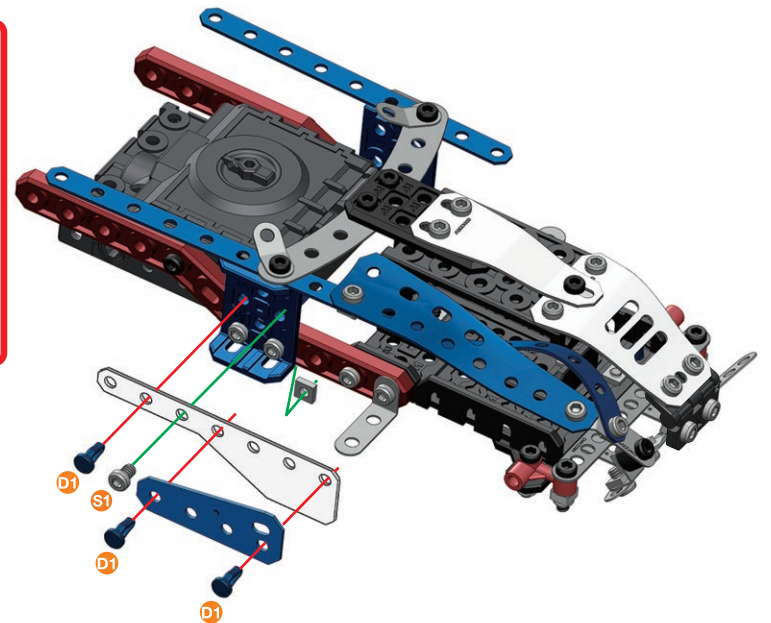
	5,8 mm 15/64"	x2
		x2

	S1	1:1
---	----	-----

**11**

	5,8 mm 15/64"	x1
		x1
	11,25mm 7/16"	x3
		x1
		x1

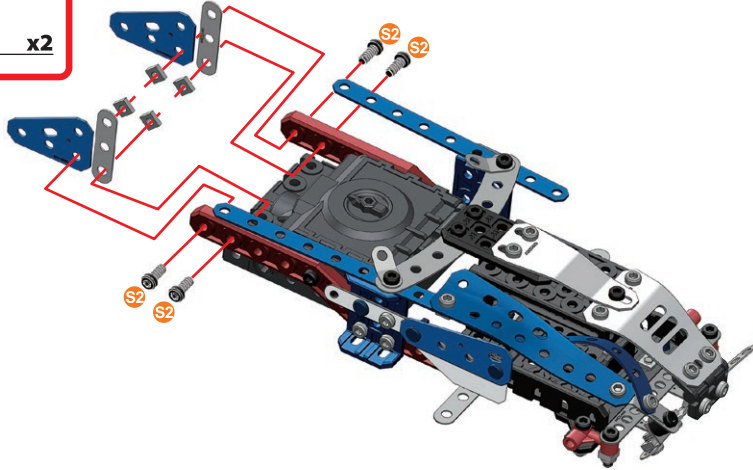
	S1	1:1
	D1	



12

- 9.5 mm | 3/8" | **x4**
- x4**
- x2**
- x2**

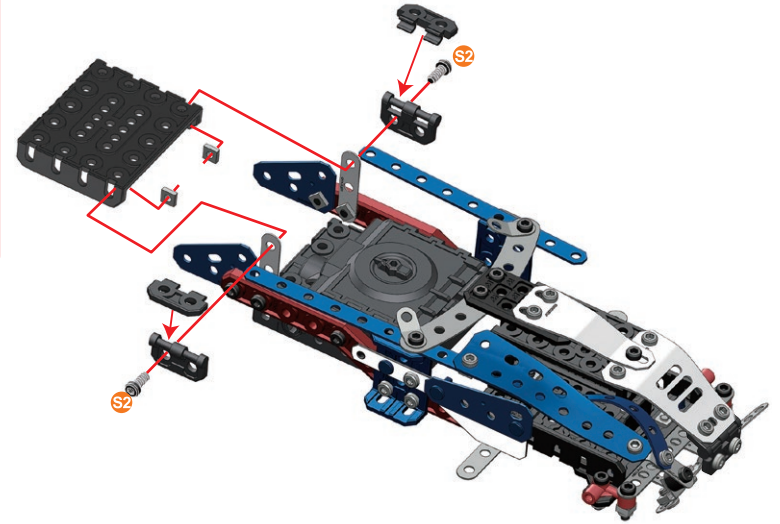
- 1:1**



13

- 9.5 mm | 3/8" | **x2**
- x2**
- x2**
- x1**

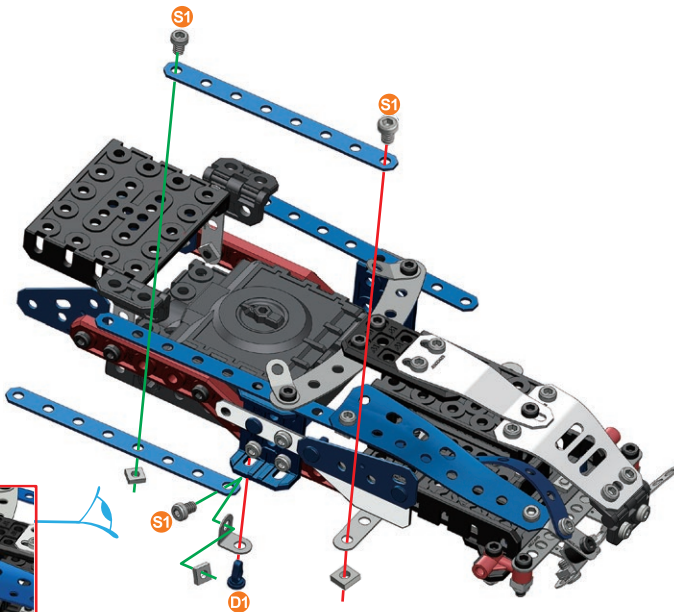
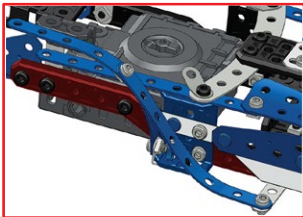
- 1:1**



14

- 5.8 mm | 15/64" | **x3**
- x3**
- 11.25mm | 7/16" | **x1**
- x2**
- x1**

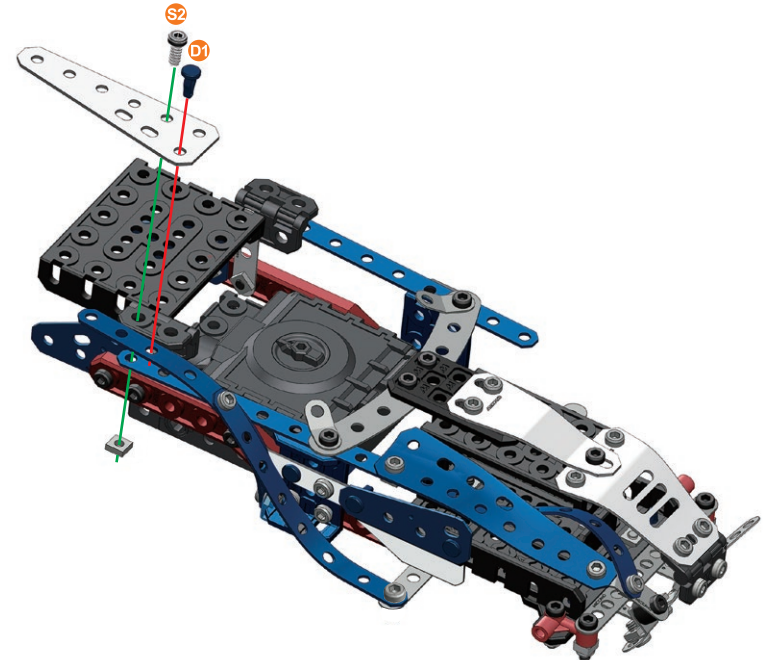
- 1:1**
- 1:1**



15

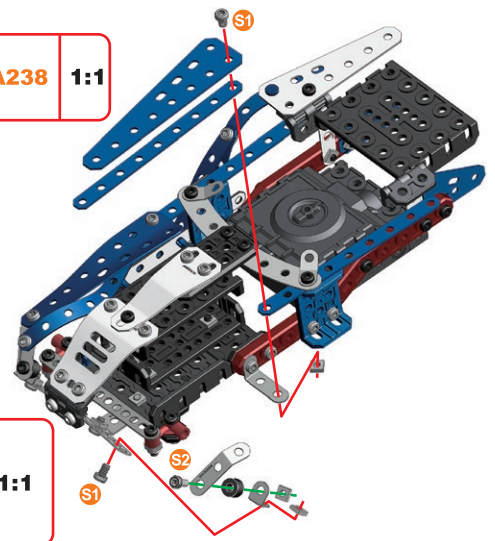
- 9.5 mm | 3/8" | **x1**
- x1**
- 11.25mm | 7/16" | **x1**
- x1**

- 1:1**
- 1:1**



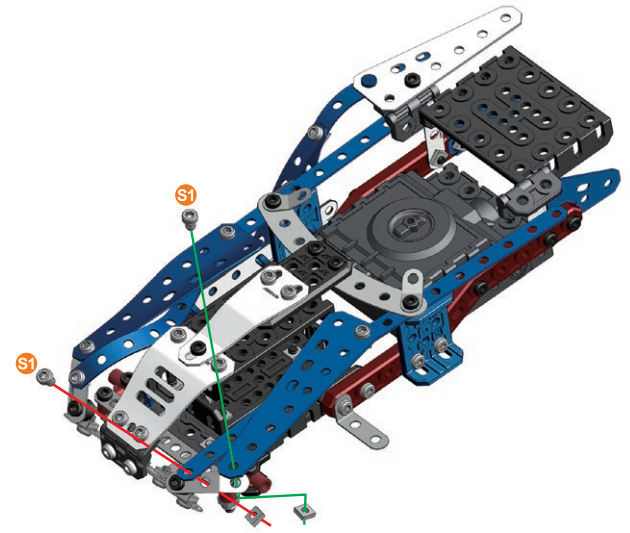
16

- S1 | 5.8 mm | 15/64" | x2
- S2 | 9.5 mm | 3/8" | x1
- x3
- x1
- x1
- x1
- x1
- x1



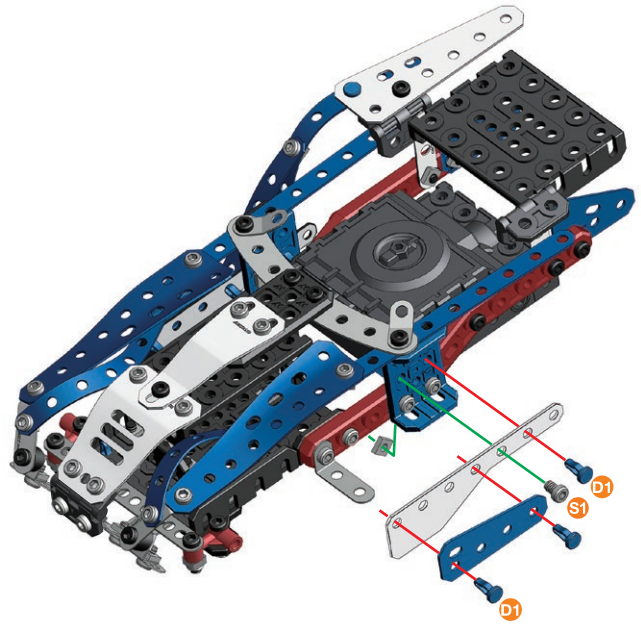
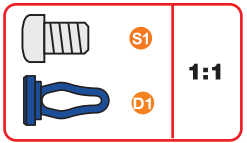
17

- S1 | 5.8 mm | 15/64" | x2
- x2
- S1 | 1:1



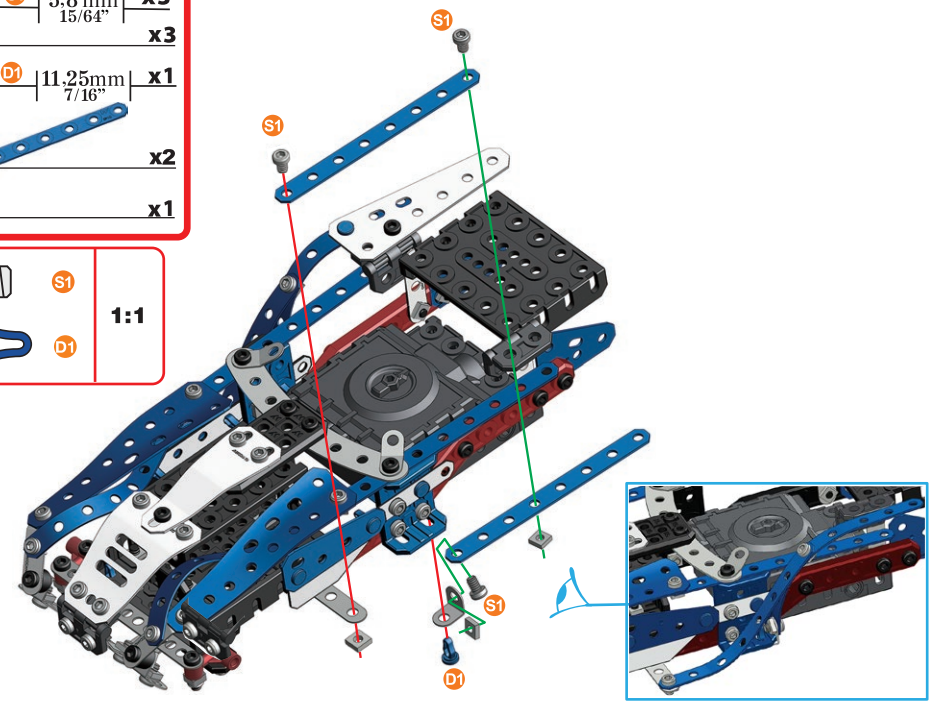
18

- S1 | 5.8 mm | 15/64" | x1
- x1
- D1 | 11.25mm | 7/16" | x3
- x1
- x1



19

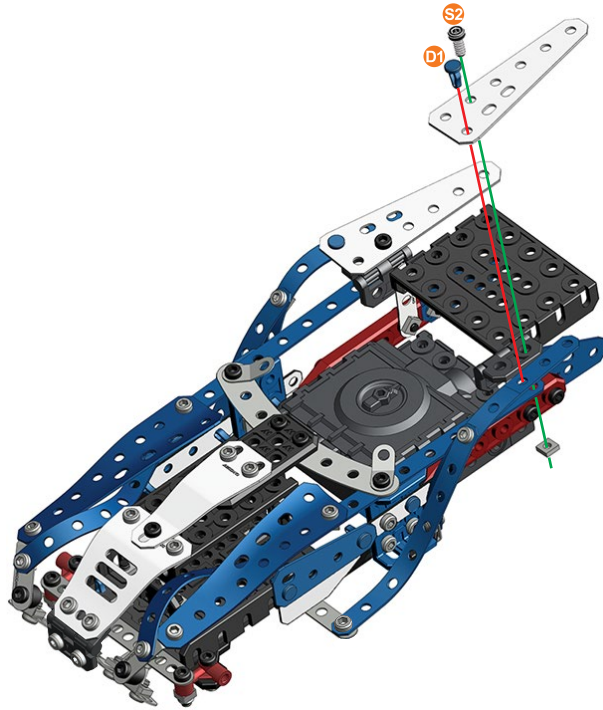
- S1 | 5.8 mm | 15/64" | x3
- x3
- D1 | 11.25mm | 7/16" | x1
- x2
- x1
- S1 | 1:1
- D1 | 1:1



20

- 9,5 mm | 3/8" | **x1**
- | **x1**
- 11,25mm | 7/16" | **x1**
- | **x1**

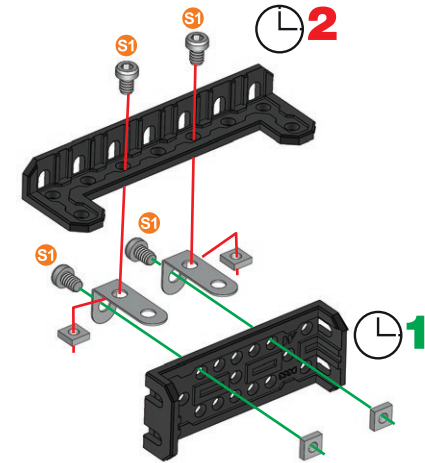
- 1:1**
- 1:1**



21

- 5,8 mm | 15/64" | **x4**
- | **x4**
- | **x2**
- | **x1**
- | **x1**

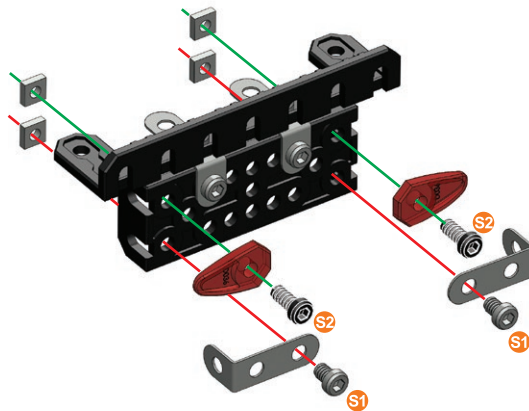
- 1:1**



22

- 9,5 mm | 3/8" | **x2**
- 5,8 mm | 15/64" | **x2**
- | **x4**
- | **x2**
- | **x2**

- 1:1**
- 1:1**

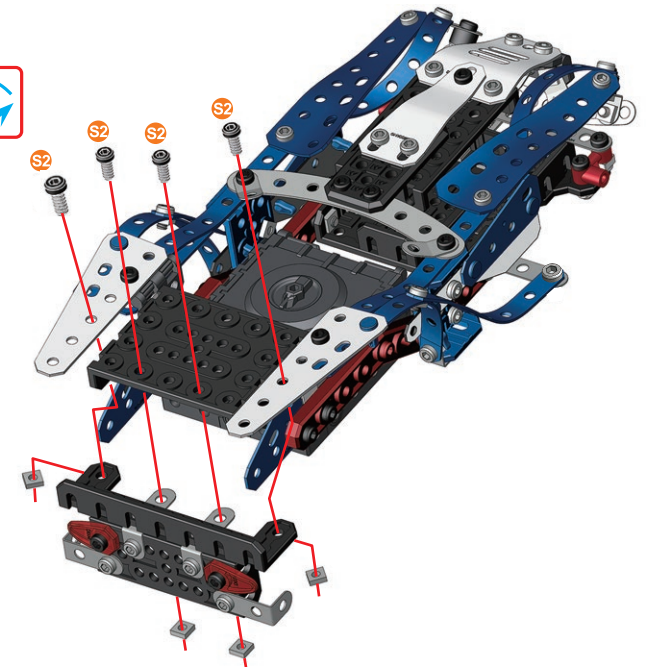


23





20+22+


- 9,5 mm | 3/8" | **x4**
- | **x4**

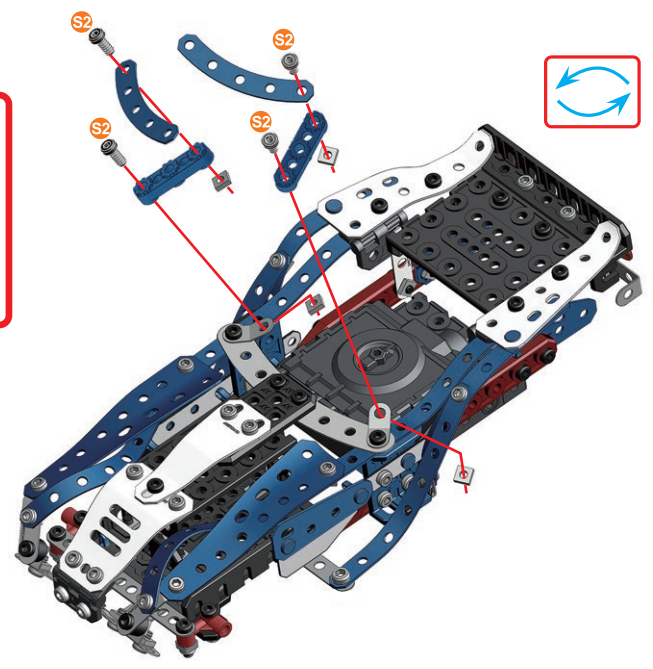
- 1:1**





24


	9.5 mm 3/8"	x4
		x4
		x2
		x2

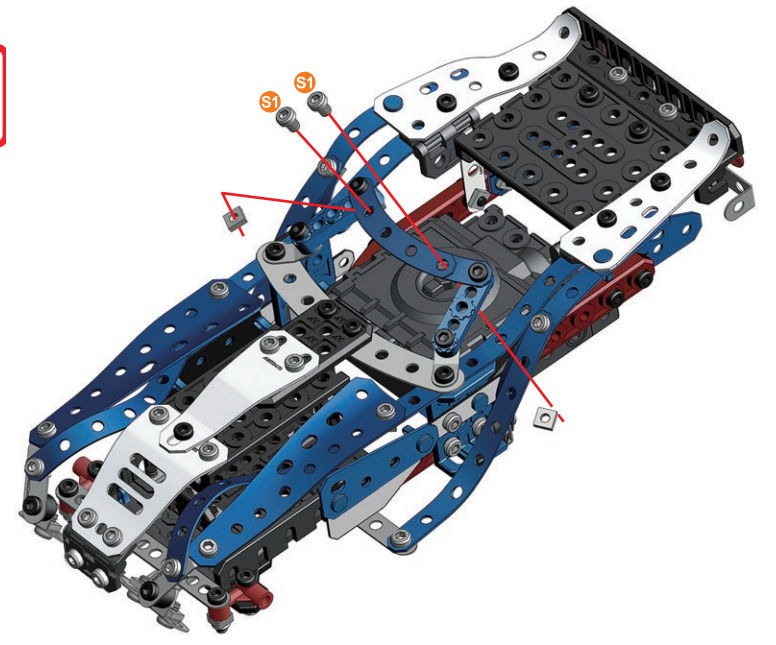
 **S2** 1:1



25

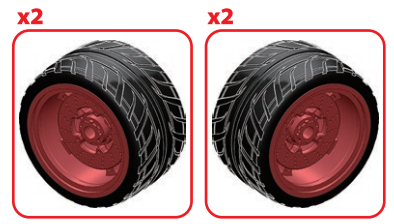
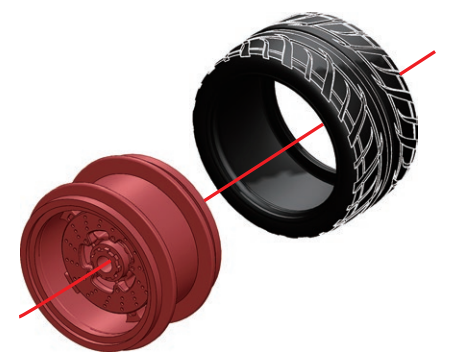
	5.8 mm 15/64"	x2
		x2

 **S1** 1:1





26

	x4
	x4

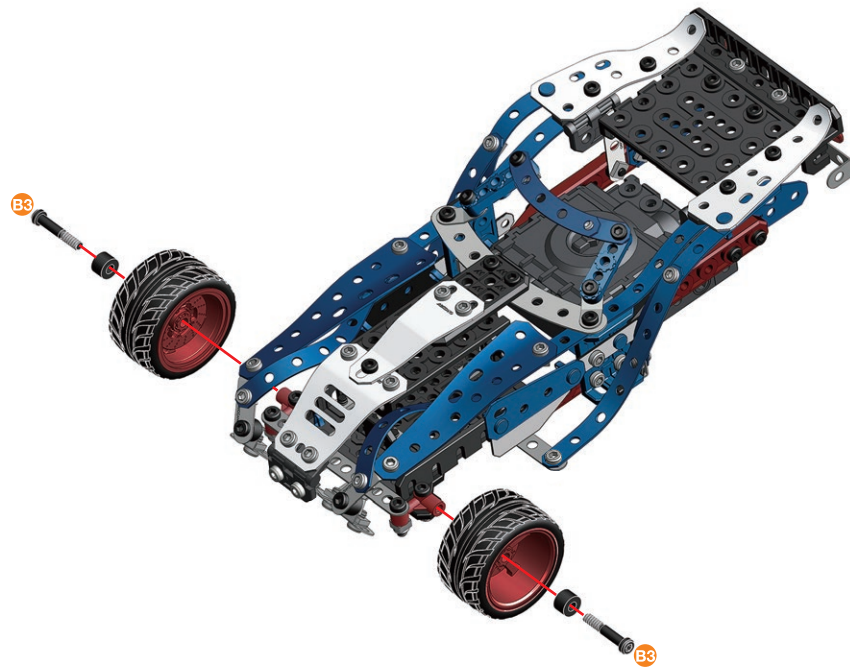


27

25+26+




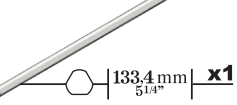
	B3	23 mm	x2
		15/16"	x2

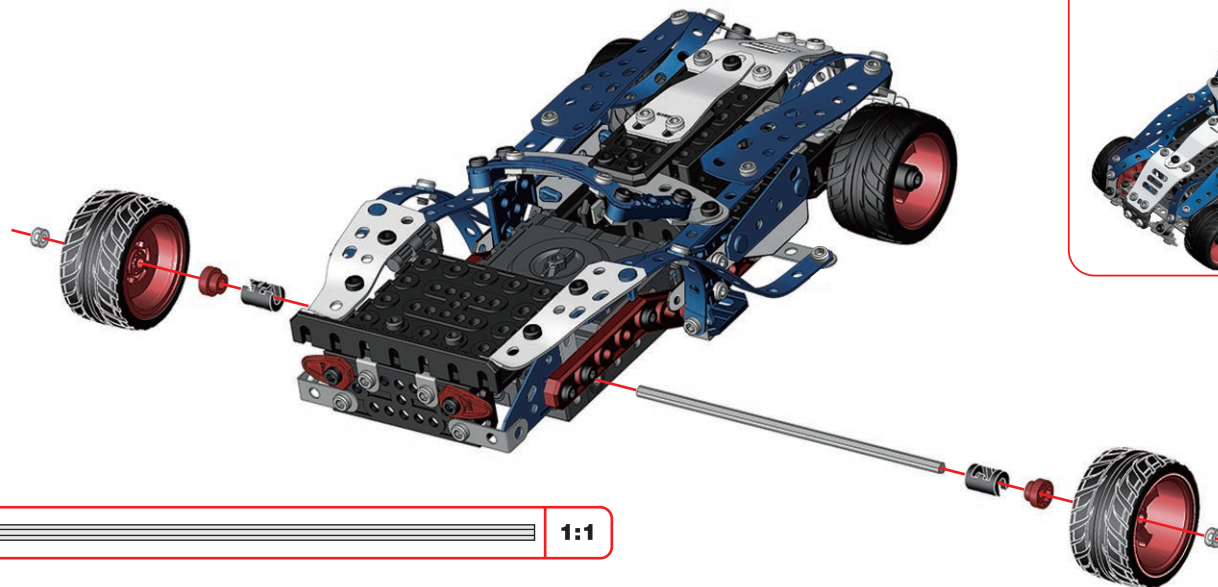
	B3	A238	1:1
			



28

26+27+

	x2	
	x2	
	x2	
	133,4 mm 5 1/4"	x1



	1:1
--	-----