



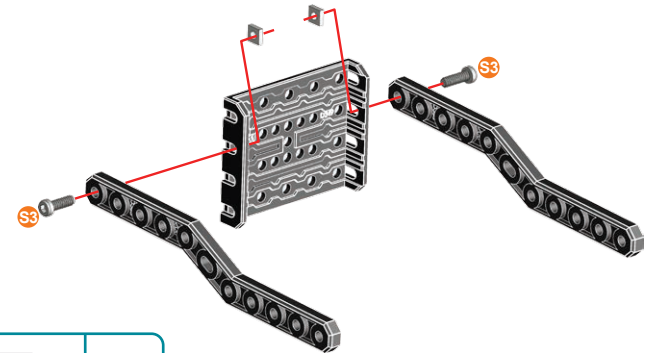
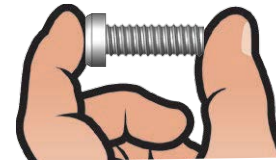


1




-  | 12 mm |  $\frac{1}{2}$ " | x2
-  | x2
-  | x2
-  | x1



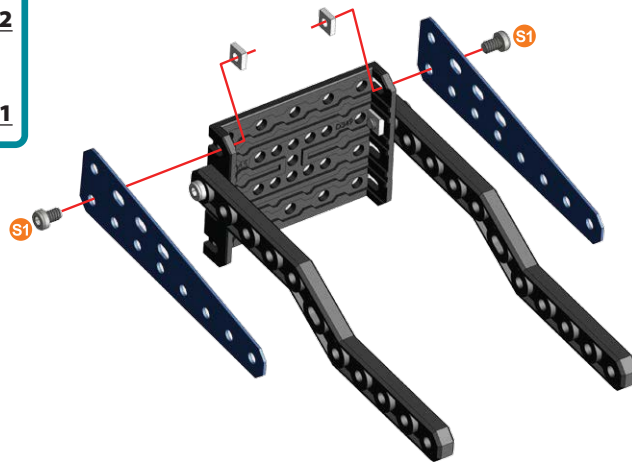
-  | x1







2

-  | 5.8 mm |  $\frac{15}{64}$ " | x2
-  | x2
-  | x1

-  | x1

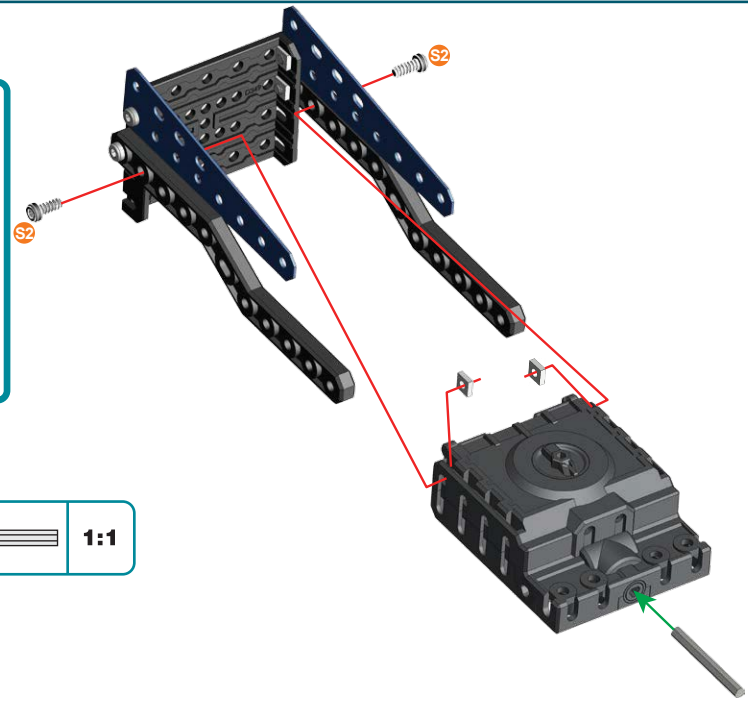


3

-  | 9.5 mm |  $\frac{3}{8}$ " | x2
-  | x2
-  | 40 mm |  $\frac{19}{16}$ " | x1
-  | x1

-  | x1

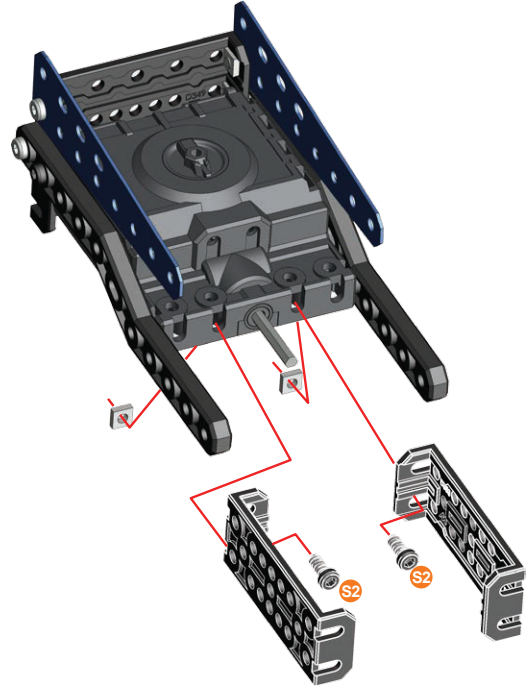
-  | x1



# 4

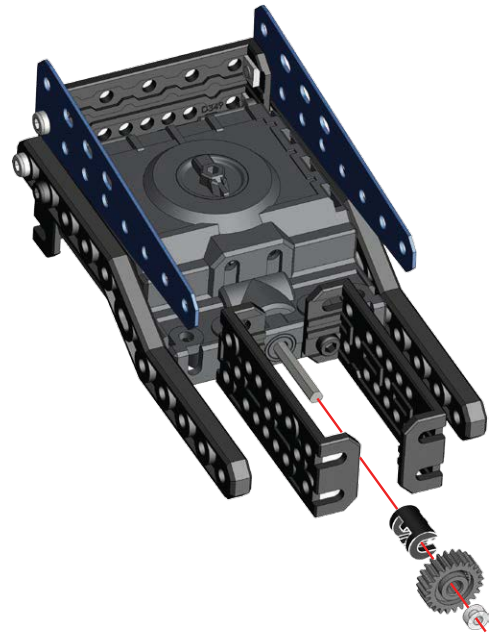
- 9.5 mm | 3/8" | x2
- x2
- x2

- 1:1



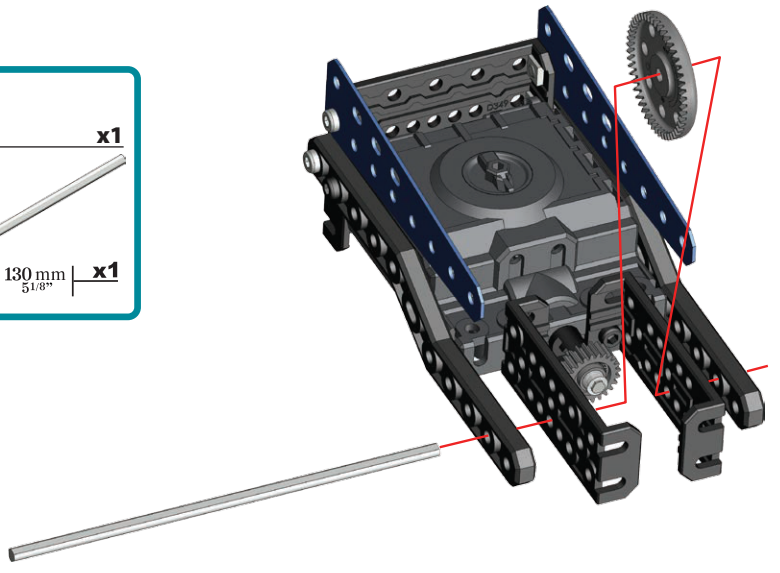
# 5

- x1
- x1
- x1



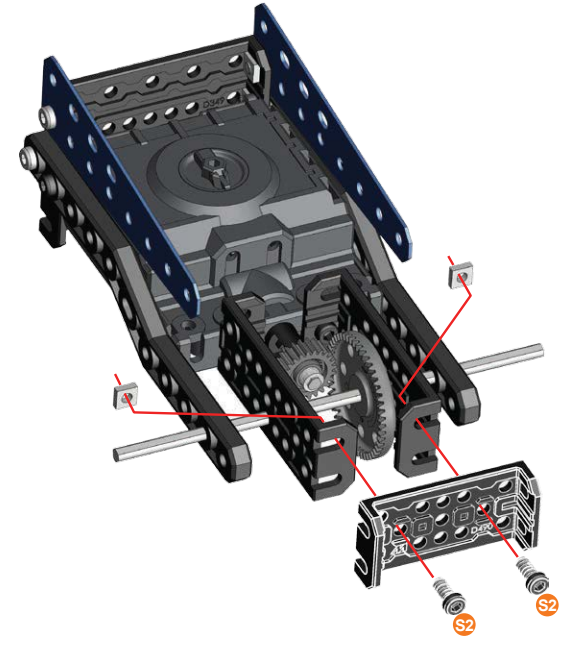
# 6

- x1
- 130 mm | 5 1/8" | x1



# 7

- 9.5 mm | 3/8" | x2
- x2
- x1
- 1:1

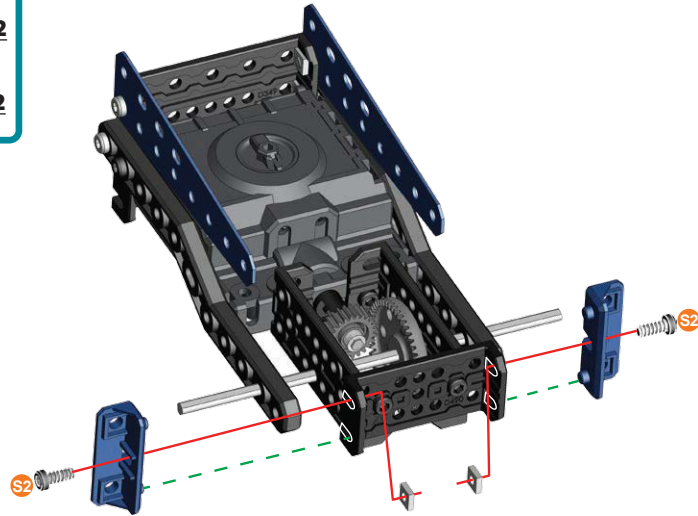


- 1:1

8

- | 9,5 mm |  $\frac{3}{8}$ " | x2
- | x2
- | x2

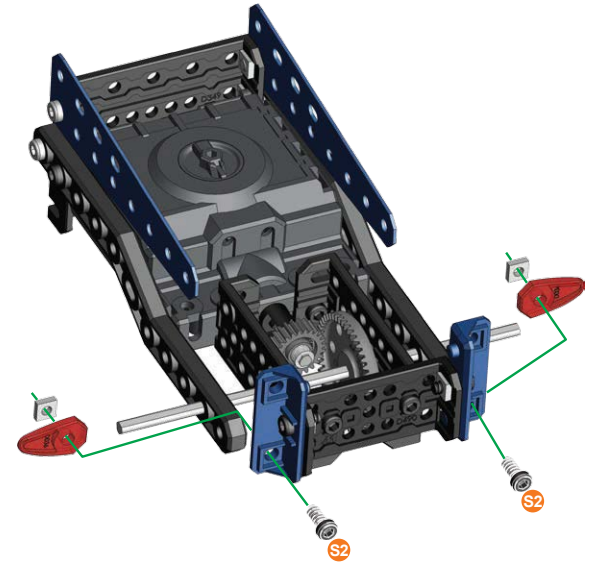
- | 1:1



9

- | 9,5 mm |  $\frac{3}{8}$ " | x2
- | x2
- | x2

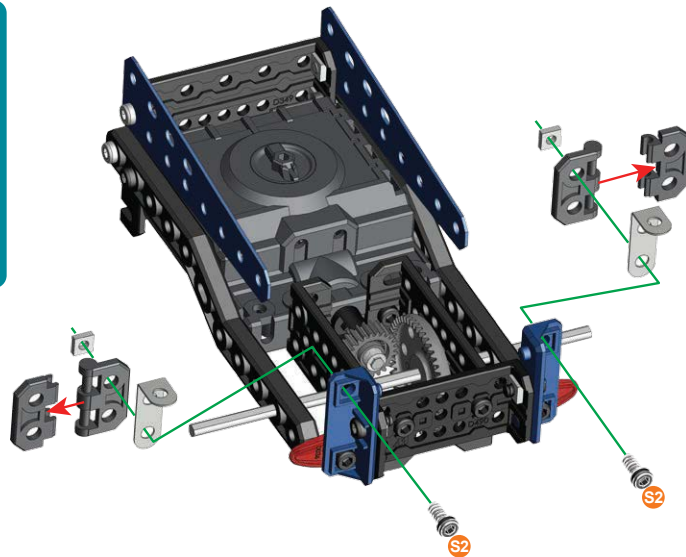
- | 1:1



10

- | 9,5 mm |  $\frac{3}{8}$ " | x2
- | x2
- | x2
- | x2

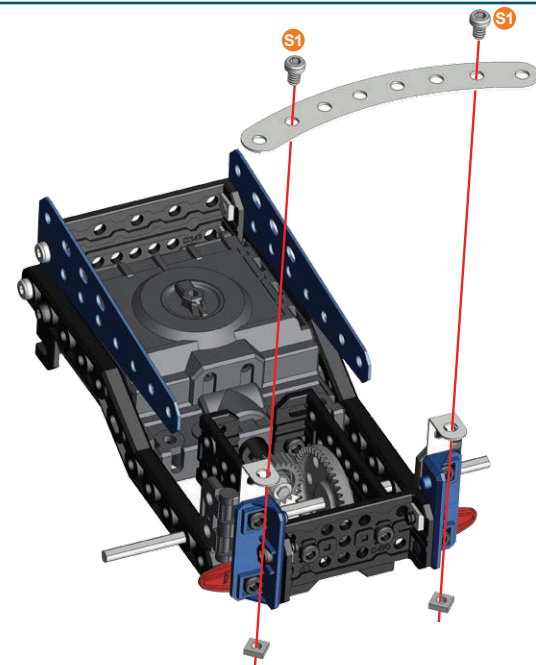
- | 1:1



11





- | 5,8 mm |  $\frac{15}{64}$ " | x2
- | x2
- | x1

- | 1:1

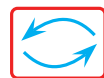
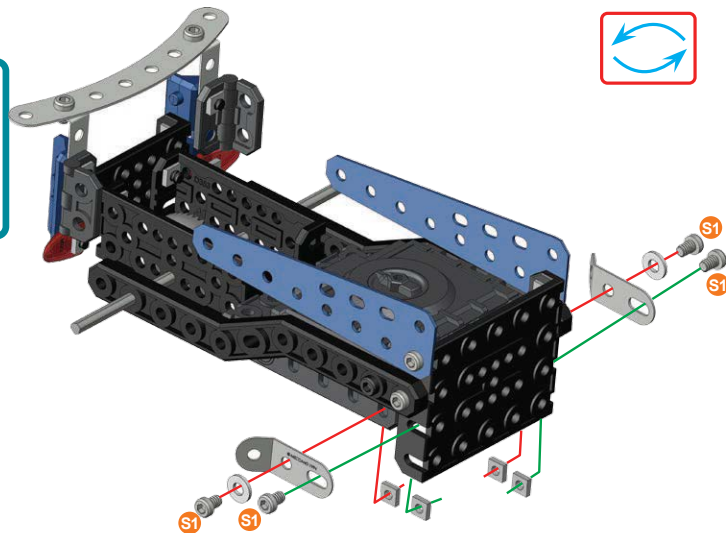







12

-  | 5.8 mm | x4  
15/64"
-  | x4
-  | x2
-  | x2

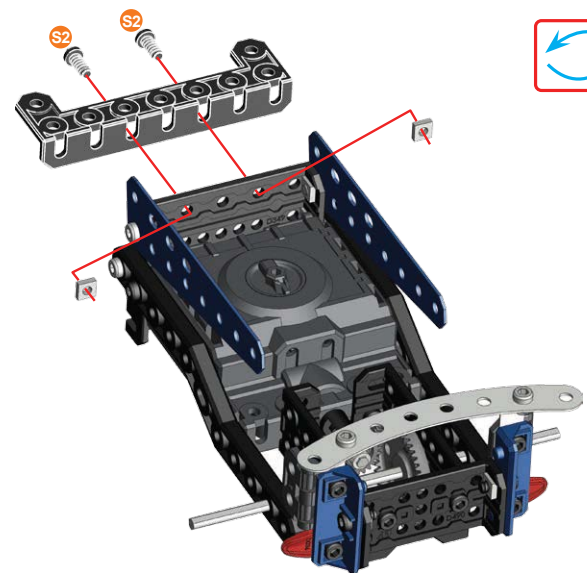
-  | 1:1







13

-  | 9.5 mm | x2  
3/8"
-  | x2
-  | x1

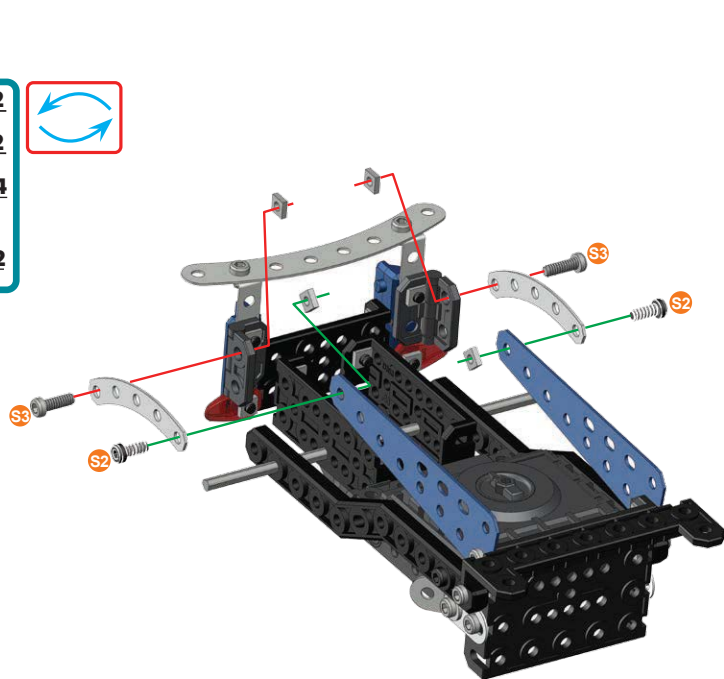
-  | 1:1







14

-  | 9.5 mm | x2  
3/8"
-  | 12 mm | x2  
1/2"
-  | x4
-  | x2

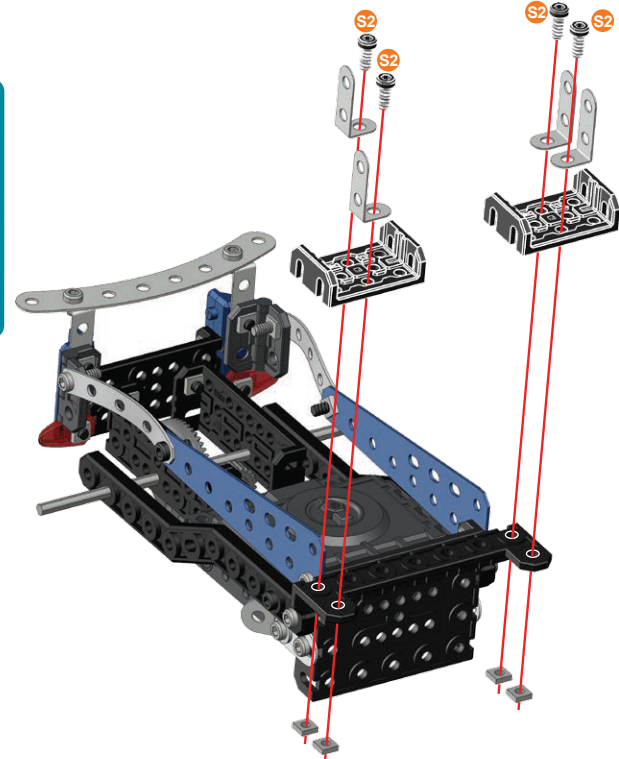
-  | 1:1
-  | 1:1






15

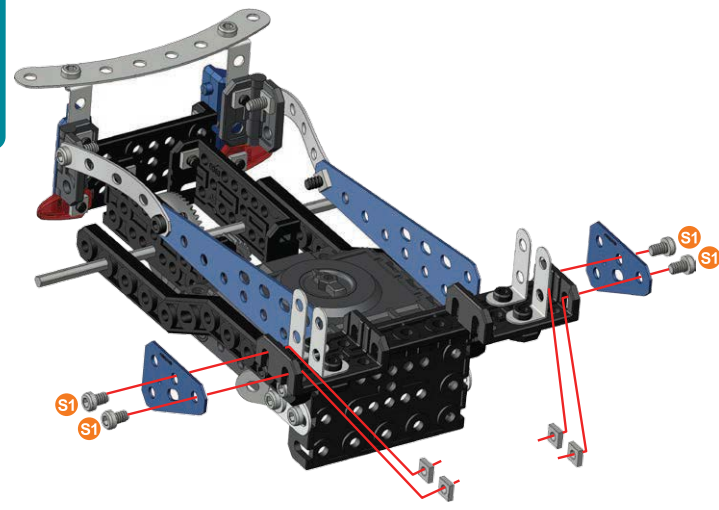
-  | 9.5 mm | x4  
3/8"
-  | x4
-  | x4
-  | x2

-  | 1:1



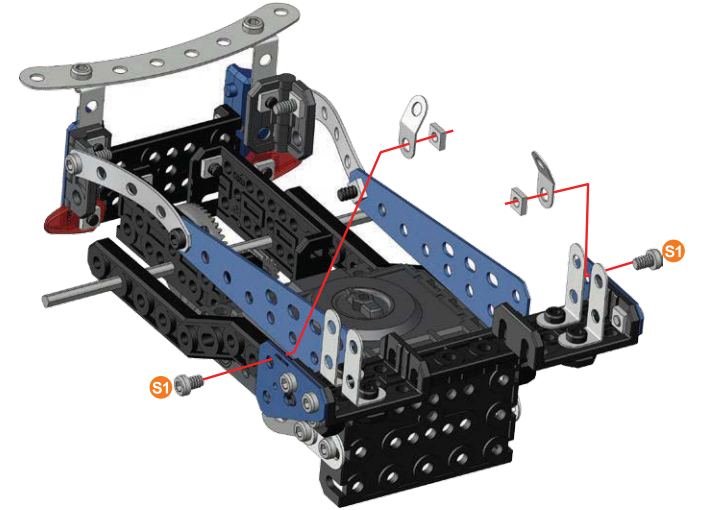
# 16

-  5.8 mm | 15/64" | **x4**
-  **x4**
-  **x2**



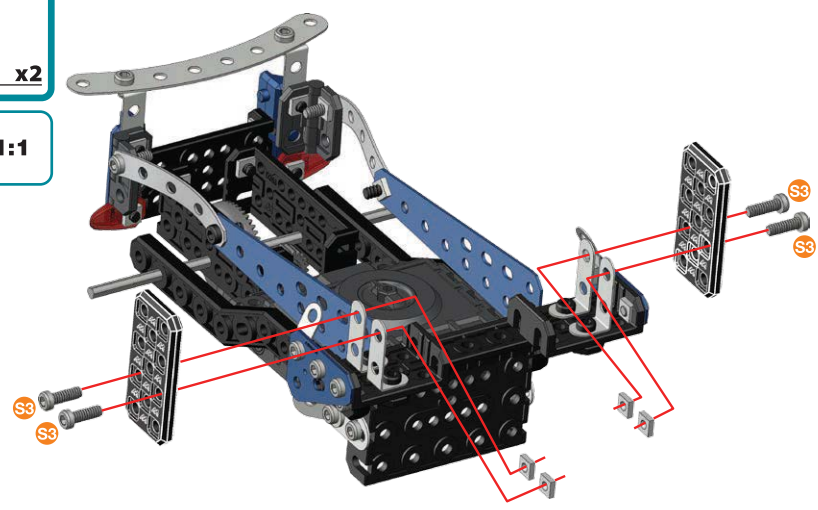
# 17

-  5.8 mm | 15/64" | **x2**
-  **x2**
-  **x2**



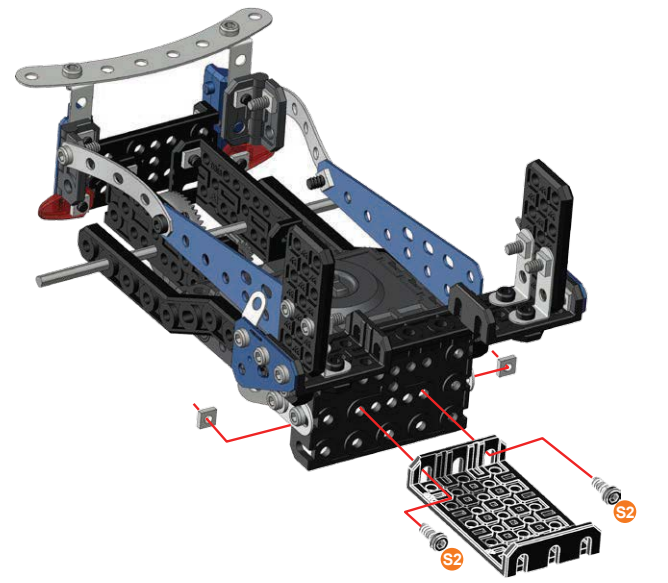
# 18

-  12 mm | 1/2" | **x4**
-  **x4**
-  **x2**



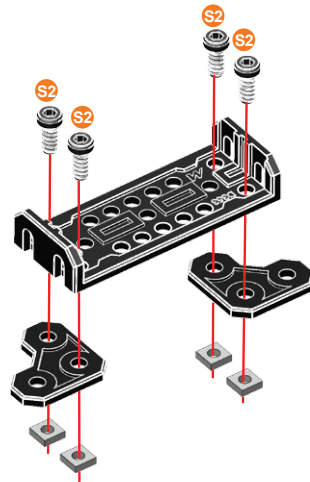
# 19

-  9.5 mm | 3/8" | **x2**
-  **x2**
-  **x1**



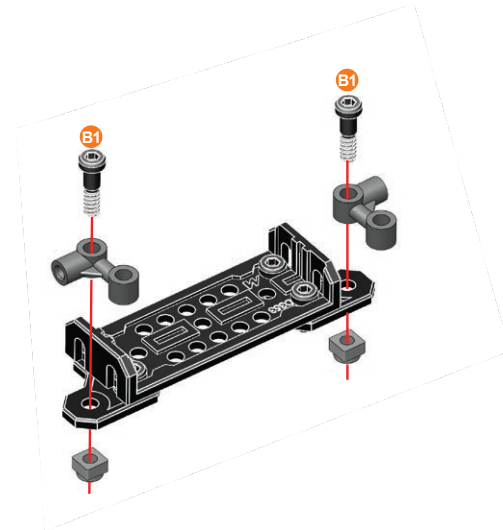
20

- 9.5 mm | 3/8" | x4
- x4
- x1
- x1
- 1:1



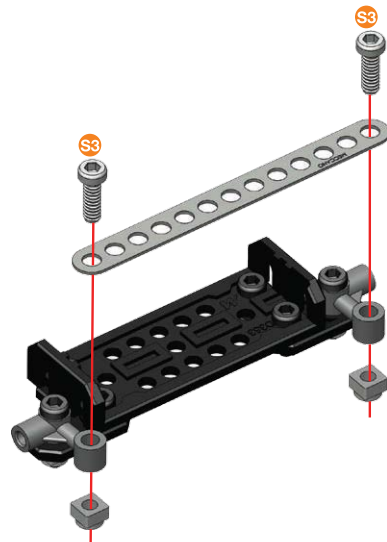
21

- 14.7 mm | 37/64" | x2
- x2
- x2
- 1:1



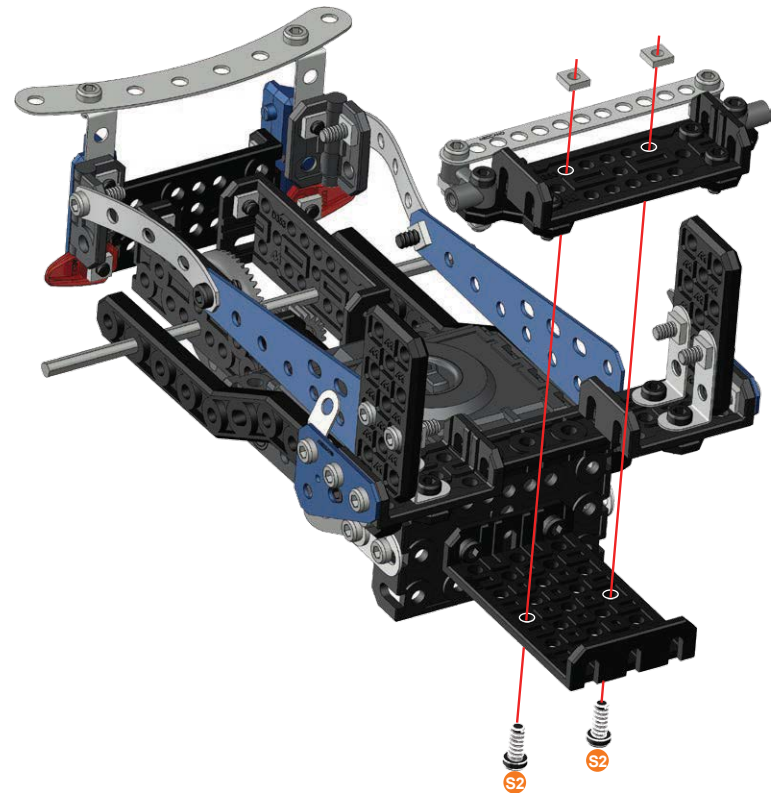
22

- 12 mm | 1/2" | x2
- x2
- x2
- 1:1



23

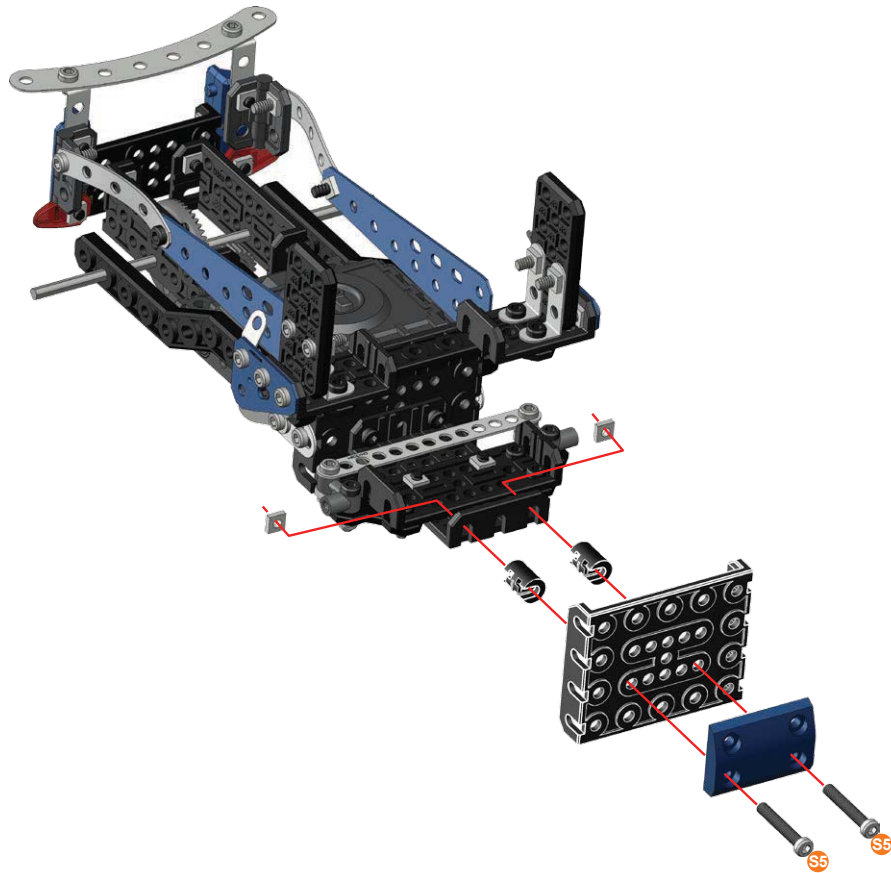
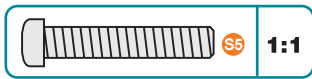
- $(19) + (22) +$
- 9.5 mm | 3/8" | x2
- x2
- 1:1





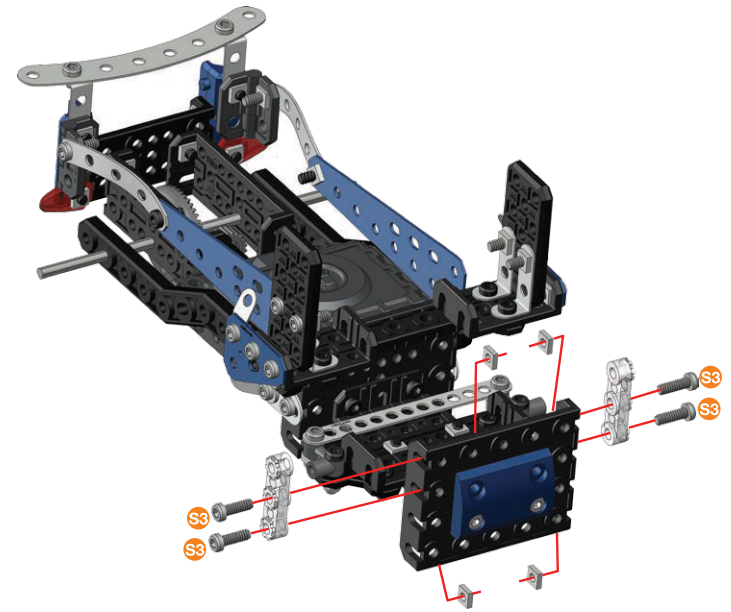
# 24

- 25.4 mm | 1" | x2
- x2
- x2
- x1
- x1



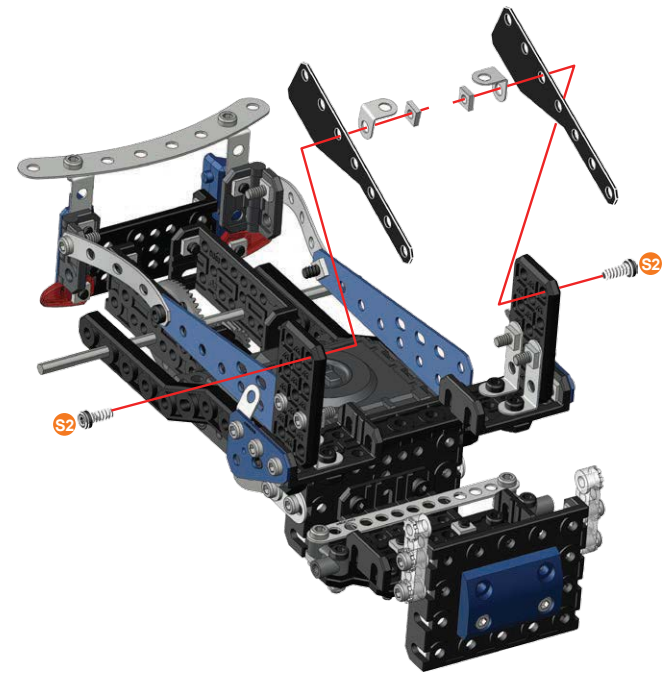
# 25

- 12 mm | 1/2" | x4
- x4
- x2



# 26

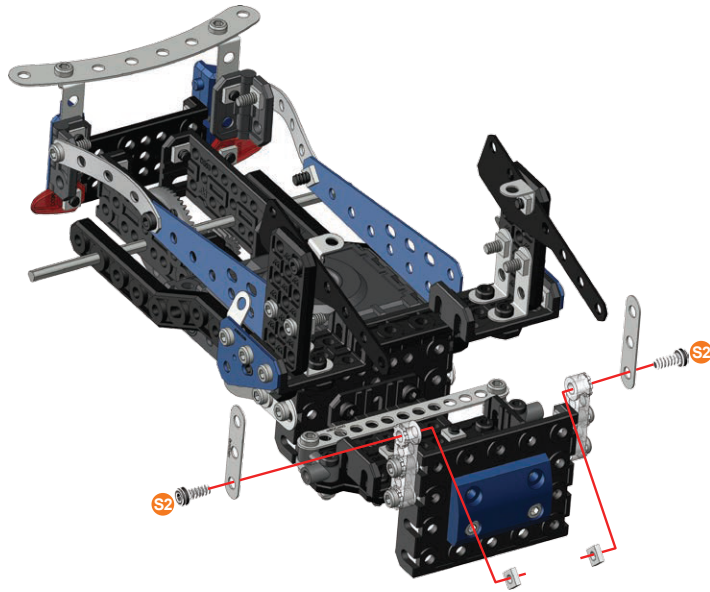
- 9.5 mm | 3/8" | x2
- x2
- x2
- x2






27

	9.5 mm 3/8"	x2
		x2
		x2

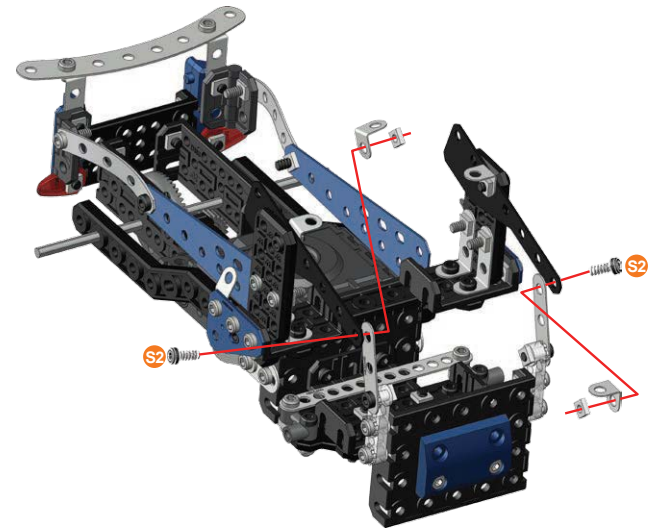
	S2	1:1
---	----	-----






28

	9.5 mm 3/8"	x2
		x2
		x2

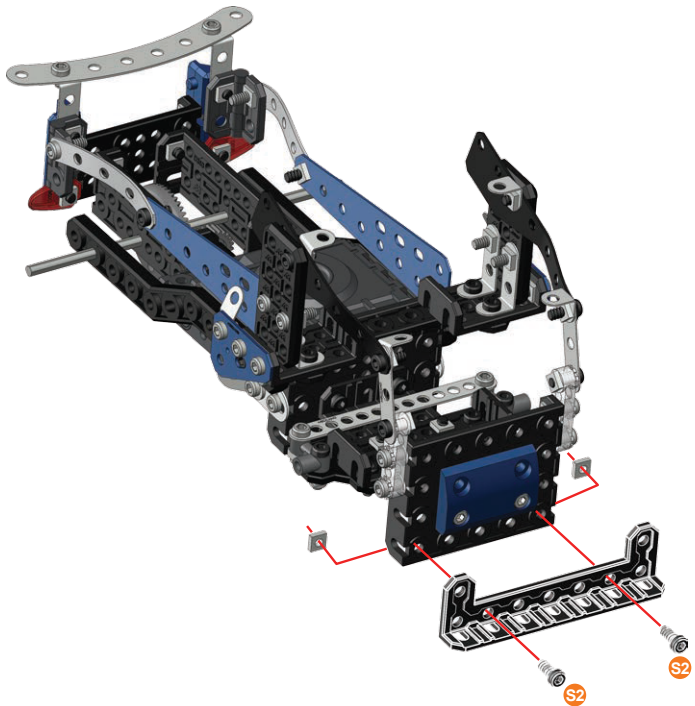
	S2	1:1
---	----	-----







29

	9.5 mm 3/8"	x2
		x2
		x1

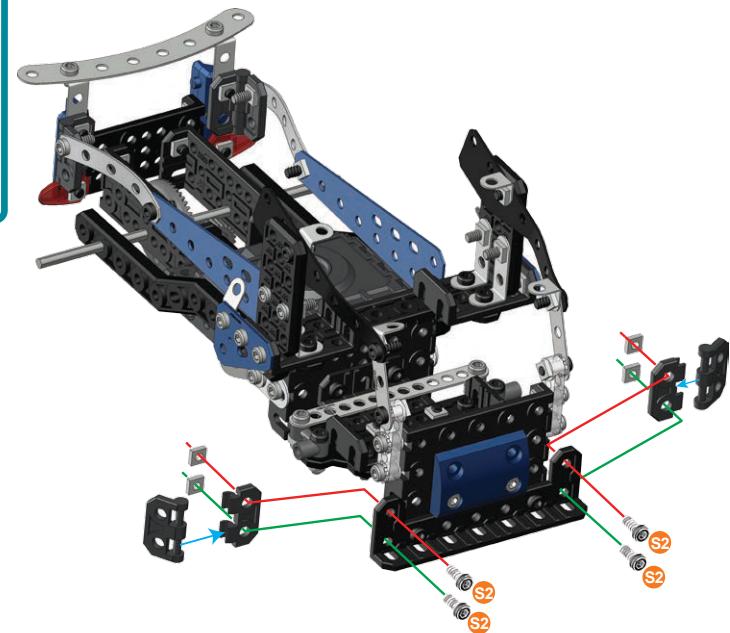
	S2	1:1
---	----	-----



30

	9.5 mm 3/8"	x4
		x4
		x2
		x2

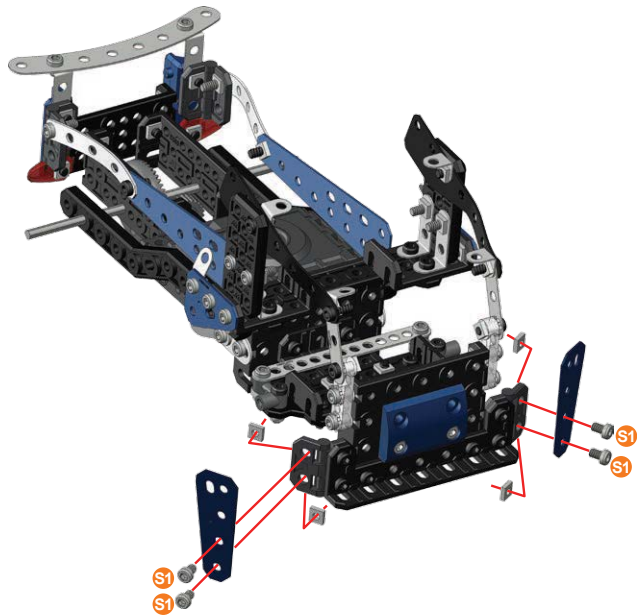
	S2	1:1
---	----	-----





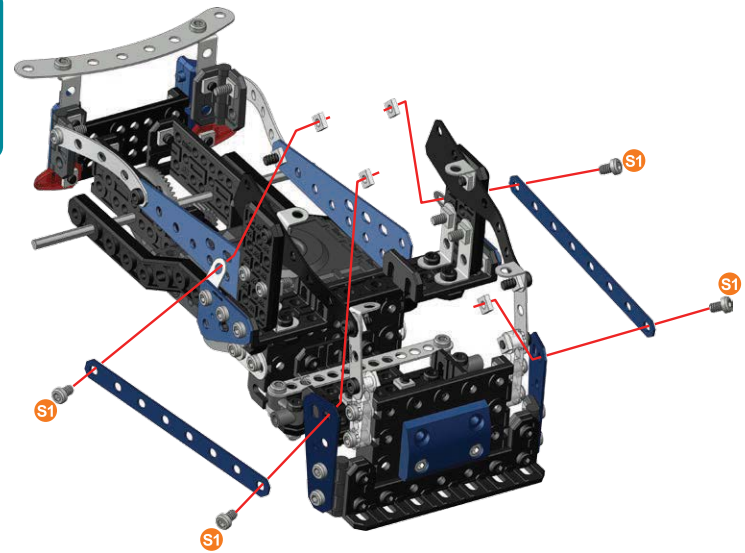
### 31

- 5.8 mm | 15/64" | x4
- x4
- x2



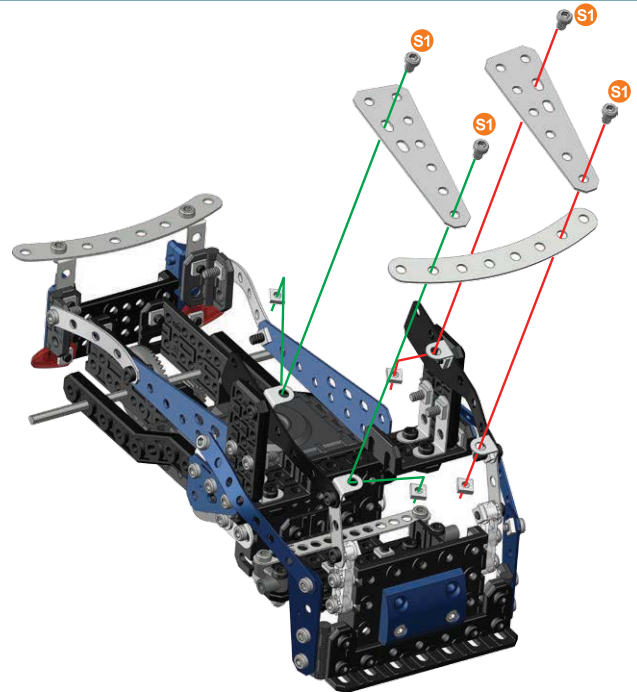
### 32

- 5.8 mm | 15/64" | x4
- x4
- x2



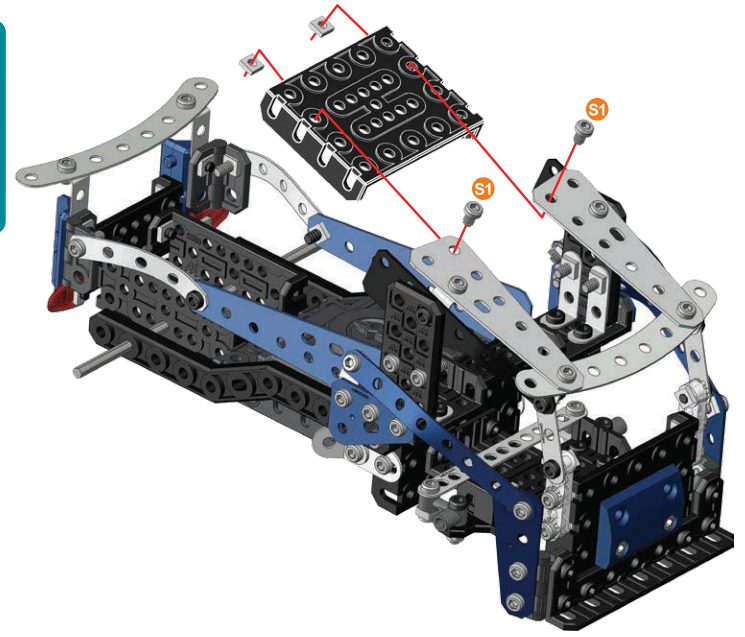
### 33

- 5.8 mm | 15/64" | x4
- x4
- x1
- x2



### 34

- 5.8 mm | 15/64" | x2
- x2
- x1



**35**

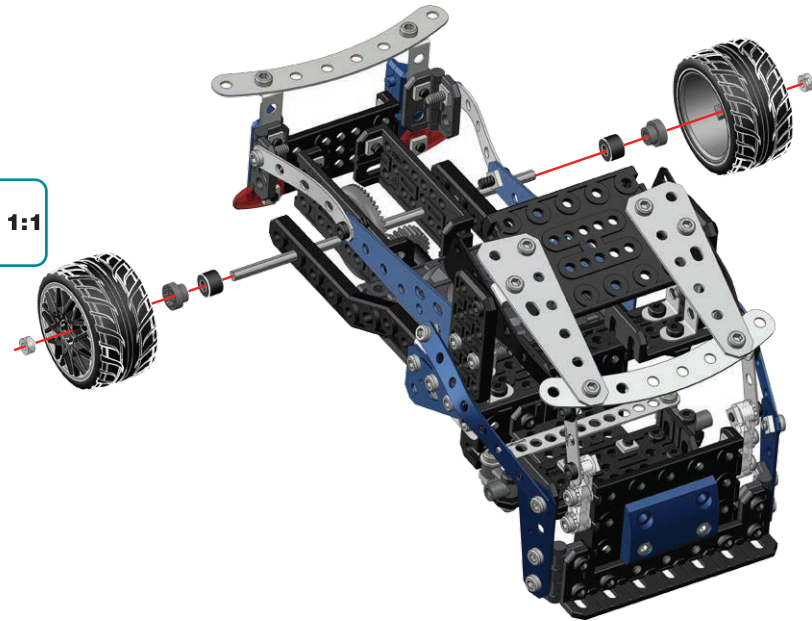
	x4
	x4
	x4



**36** 34+35+

	x2
	x2
	x2

**A238** 1:1



**37** 35+36+

23 mm   15/16"	x2
	x2

**B3** 1:1

