





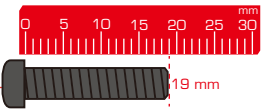
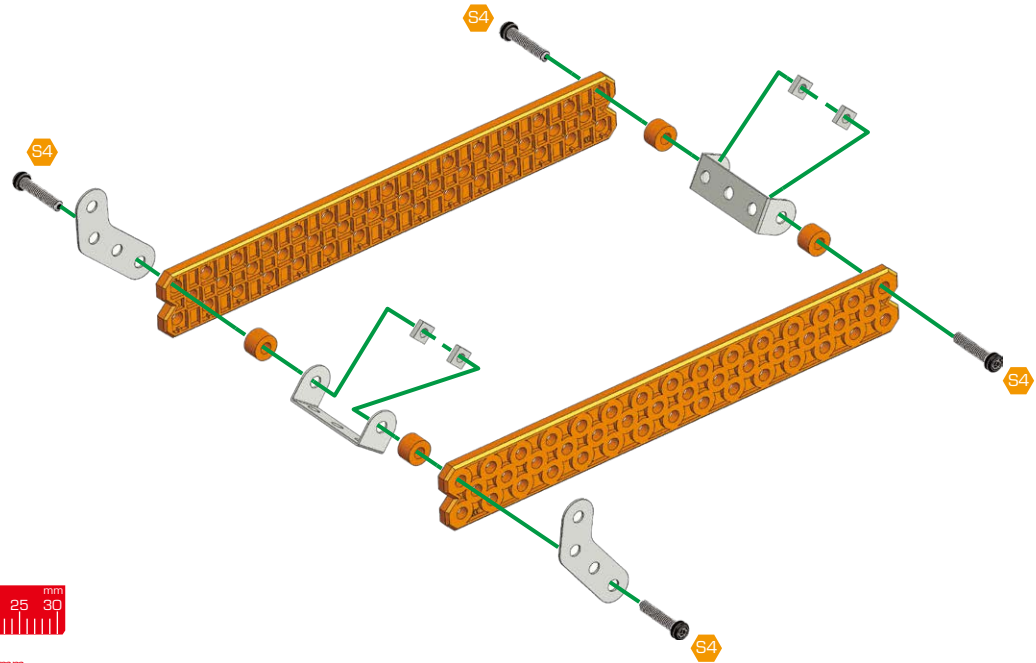




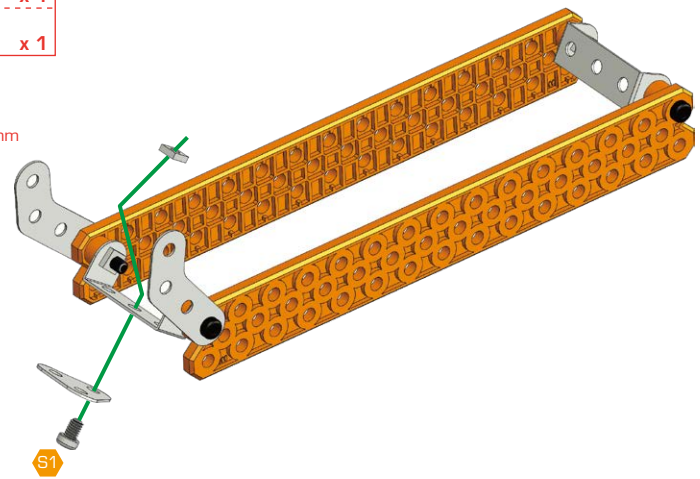


- 1**
-  x 4
  -  x 4
  -  x 4
  -  x 2
  -  x 2
  -  x 2







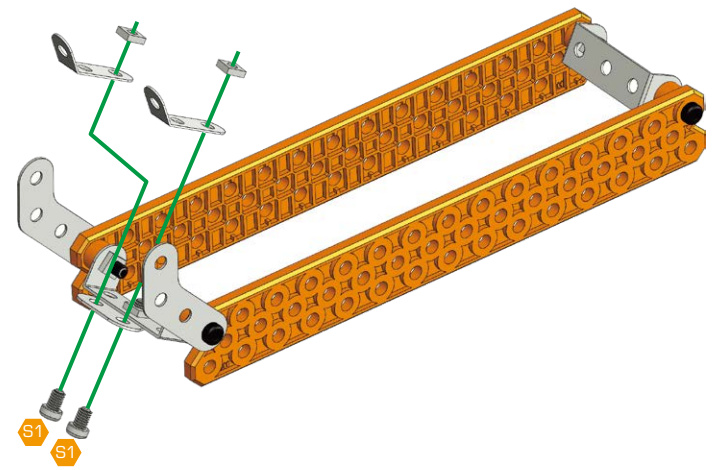
**2**

-  x 1
  -  x 1
  -  x 1
-  5.8 mm



**3**

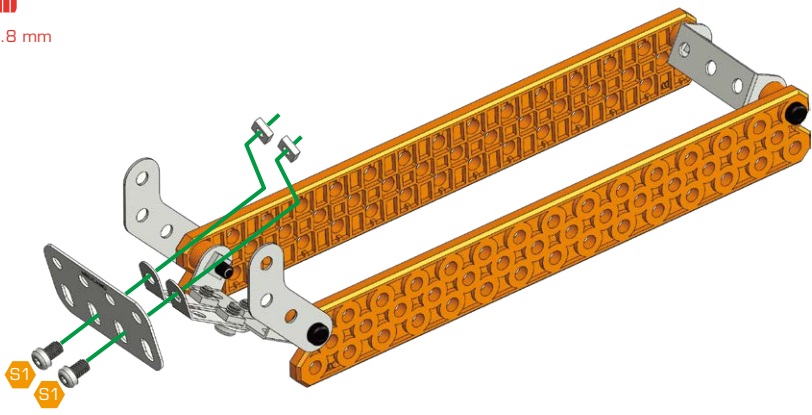
-  x 2
  -  x 2
  -  x 2
-  5.8 mm



- 4**
- S1 x 2
  - x 2
  - x 1



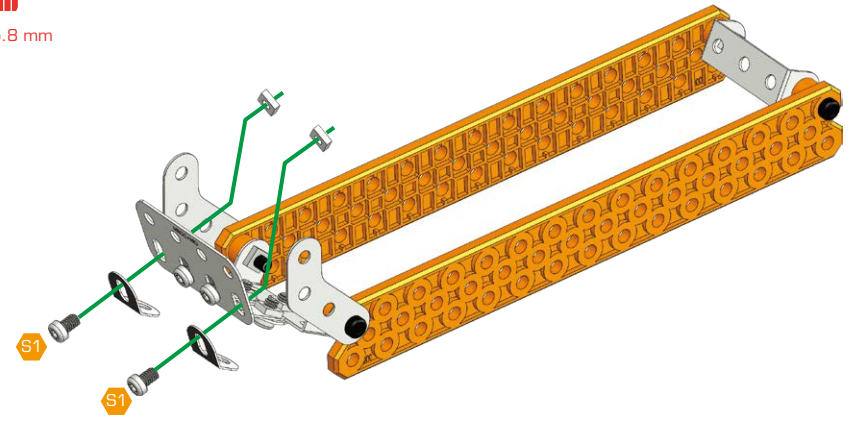
S1 5.8 mm



- 5**
- S1 x 2
  - x 2
  - x 2



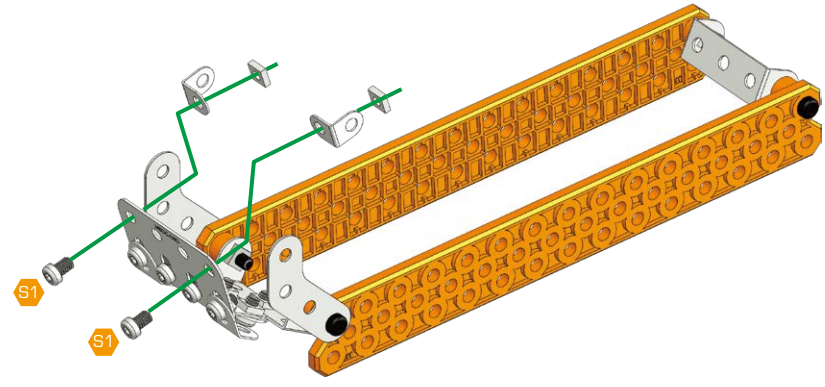
S1 5.8 mm



- 6**
- S1 x 2
  - x 2
  - x 2



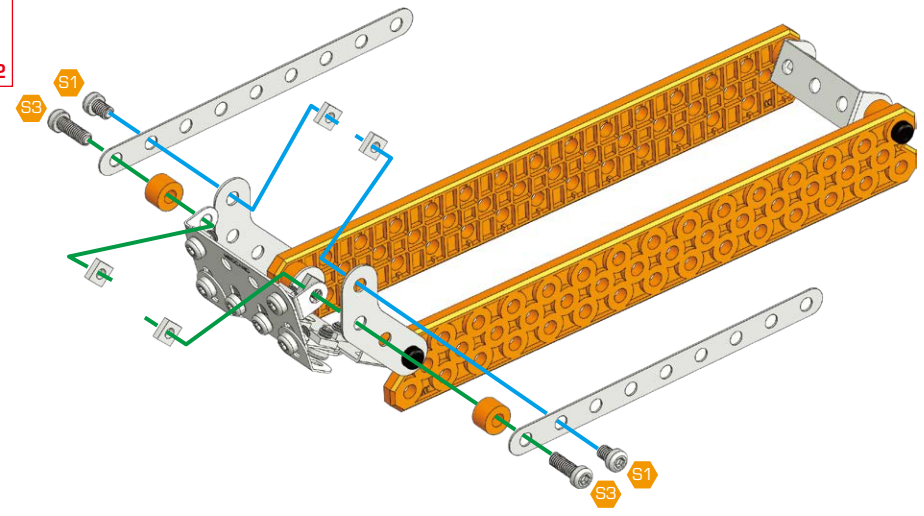
S1 5.8 mm



- 7**
- S1 x 2
  - S3 x 2
  - x 2
  - x 4
  - x 2



S1 5.8 mm  
S3 12 mm



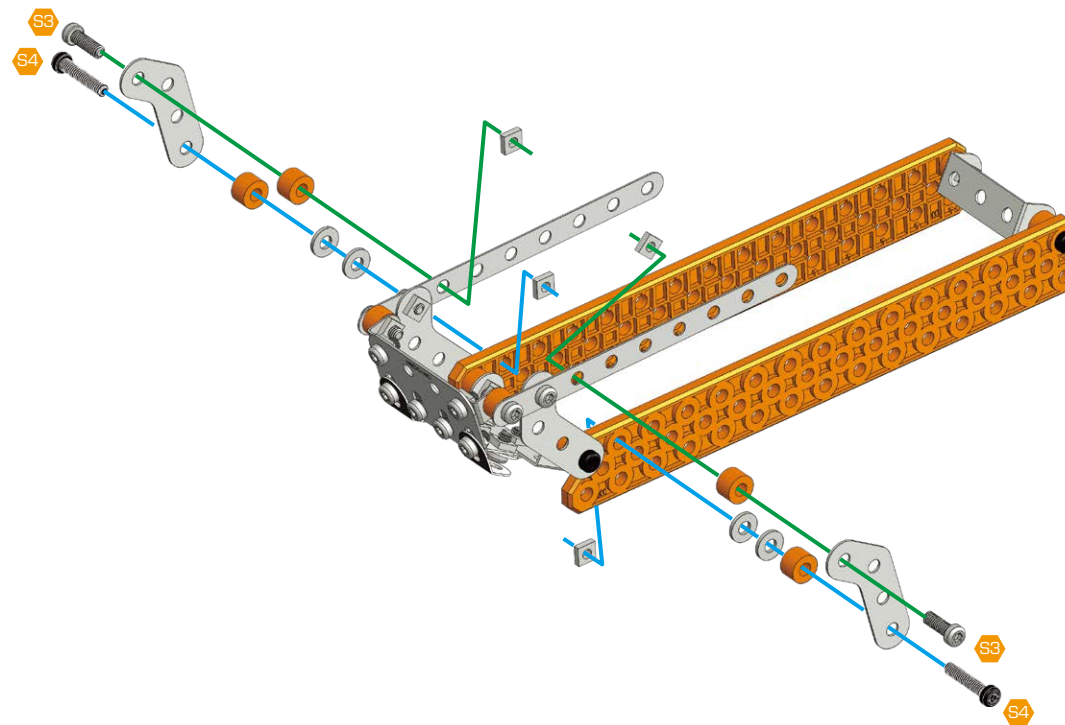
**8**

S3		x 2
S4		x 2
		x 4
		x 4
		x 4
		x 2

0 5 10 15 20 mm

S3 12 mm

S4 19 mm

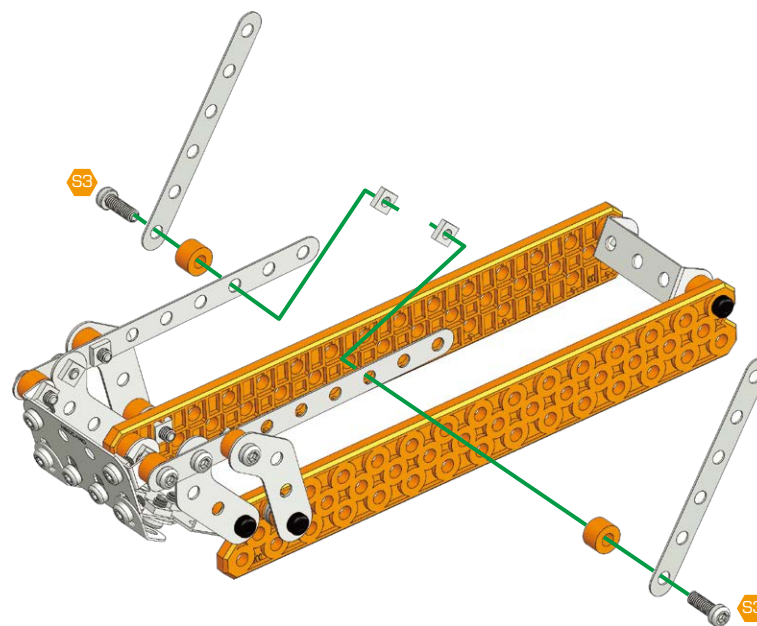


**9**

S3		x 2
		x 2
		x 2
		x 2

0 5 10 15 mm

S3 12 mm

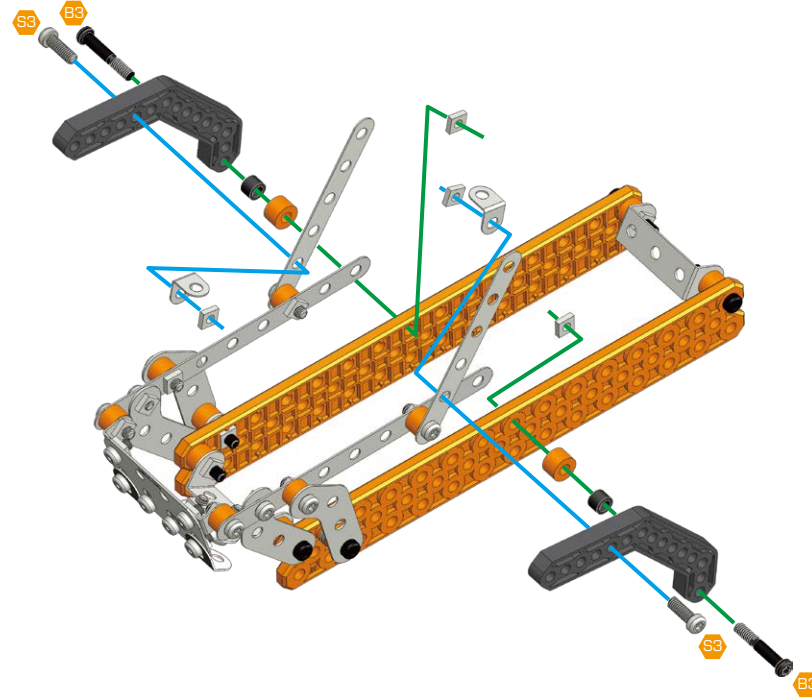


**10**

S3		x 2
B3		x 2
		x 4
		x 2
		x 2
		x 2
		x 2
		x 2

0 5 10 15 20 25 30

S3		12 mm
B3		23 mm

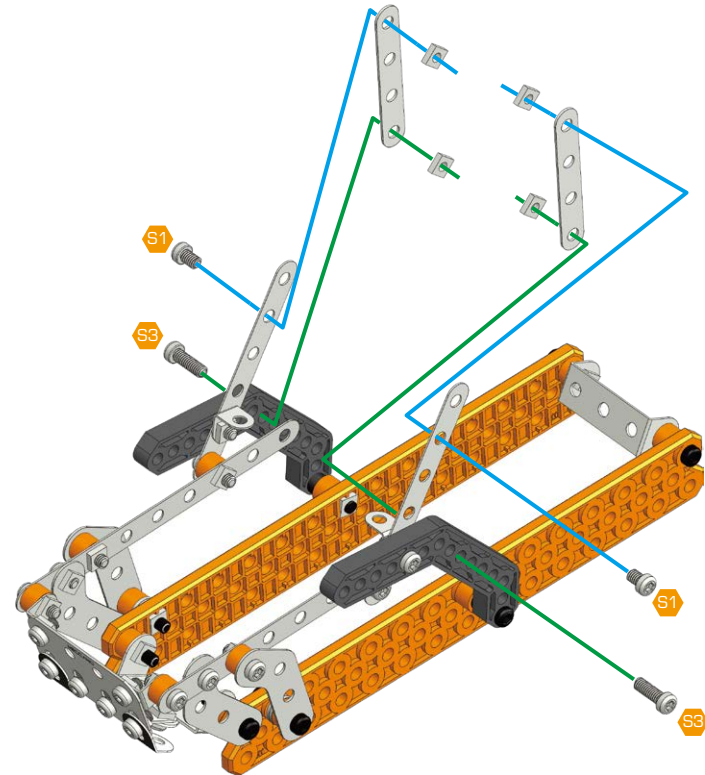


**11**

S1		x 2
S3		x 2
		x 4
		x 2

0 5 10 15 20

S1		5.8 mm
S3		12 mm



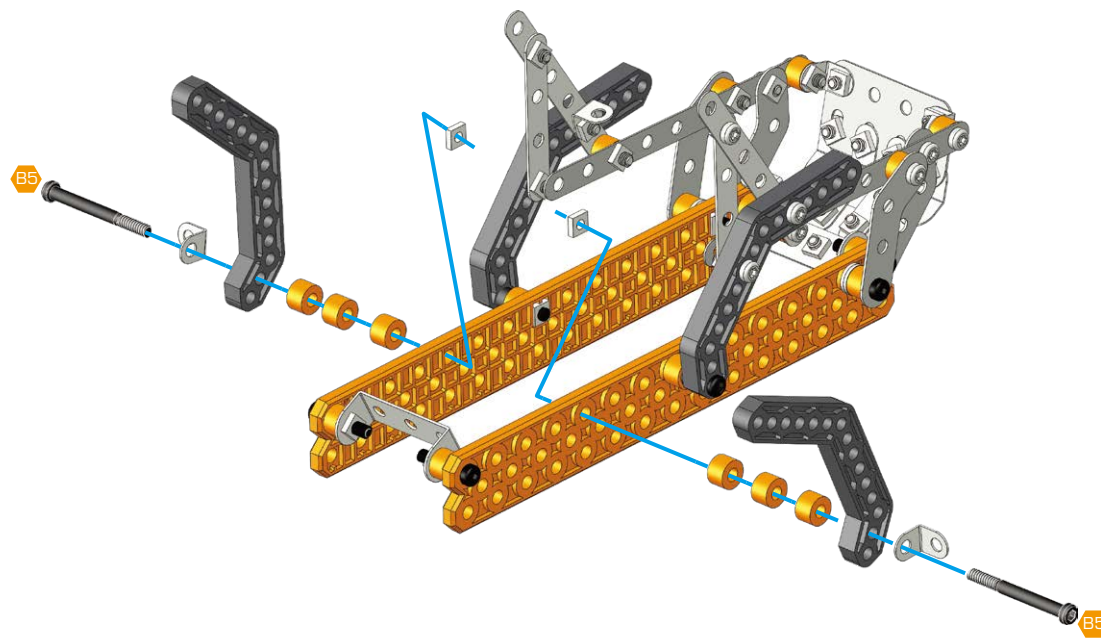
**12**

- x 2
- x 2
- x 6
- x 2
- x 2

180°

0 5 10 15 20 25 30 35 40 mm

38.1 mm



**13**

- x 2
- x 2
- x 2

0 5 10 15 20 mm

14.7 mm








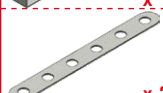
**14**

- x 2
- x 2
- x 2



0 5 10 mm

9.5 mm

**15**

-  x 2
-  x 2
-  x 4
-  x 4
-  x 4
-  x 2
-  x 1
-  x 2



-  12 mm
-  28 mm

