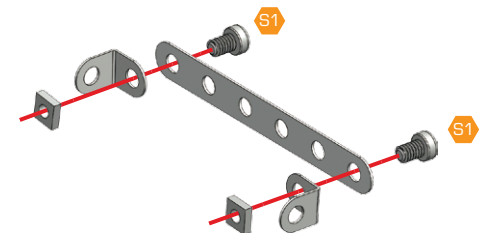
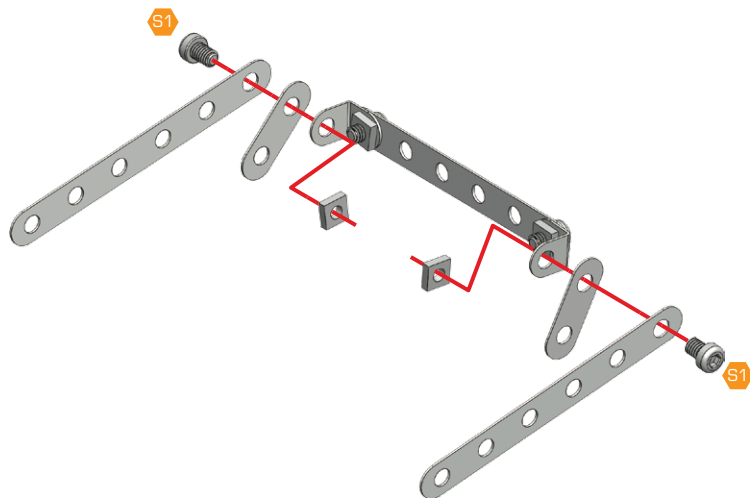




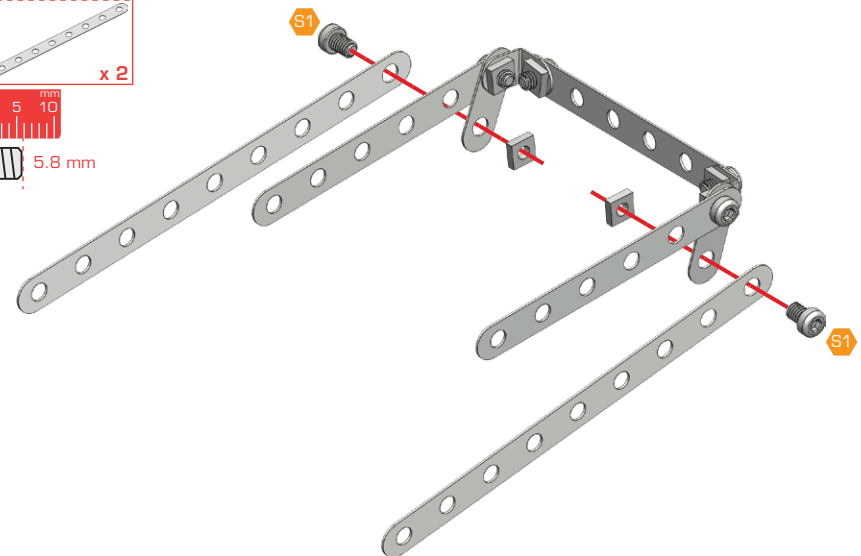
- 1**
- x 2
 - x 2
 - x 2
 - x 1
- 0 5 10 mm
- 5.8 mm

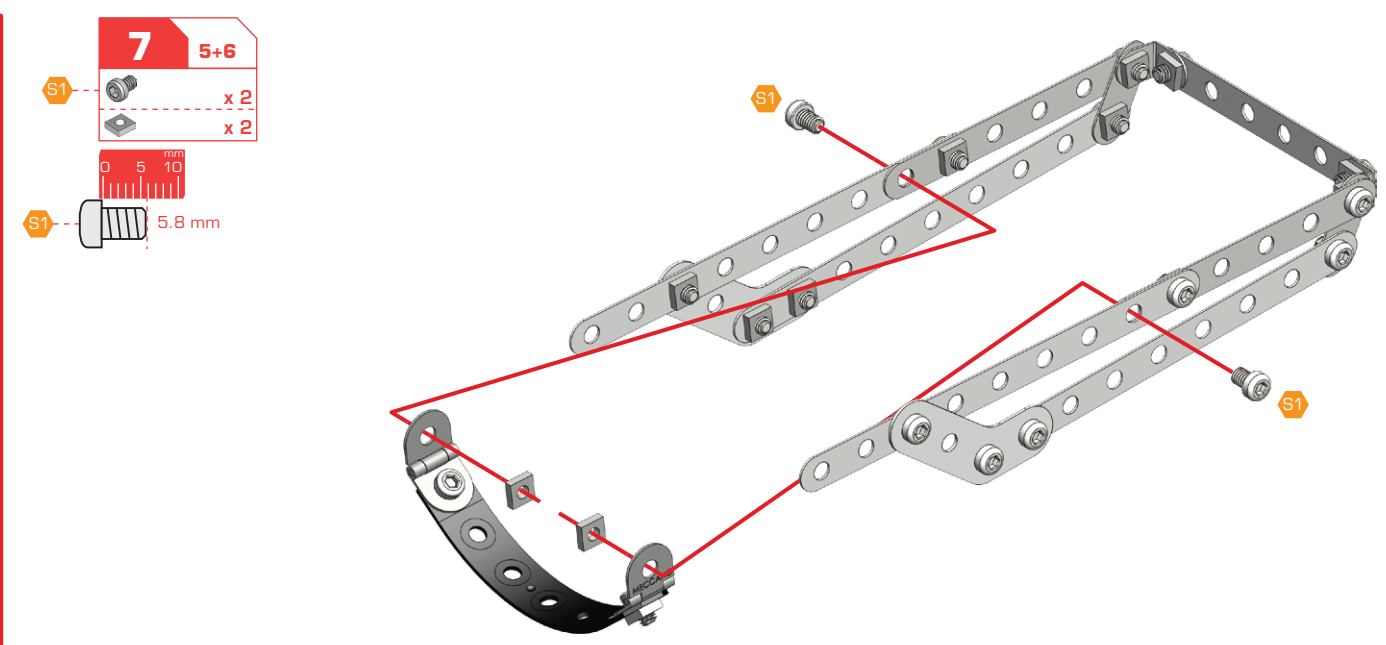
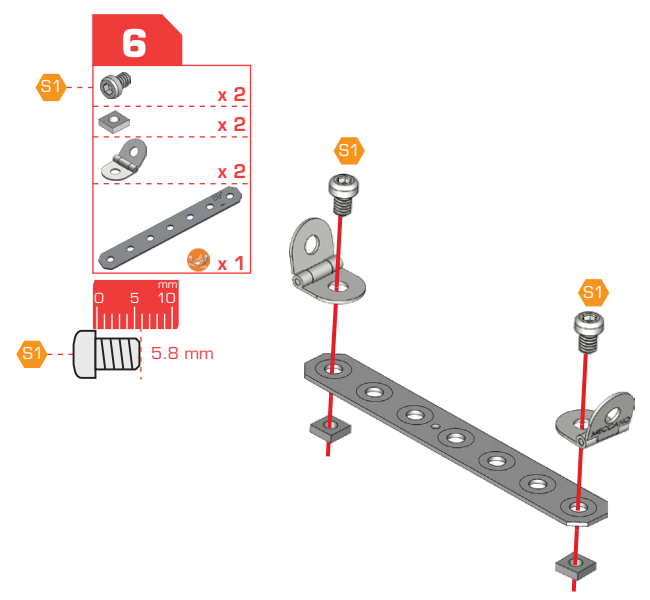
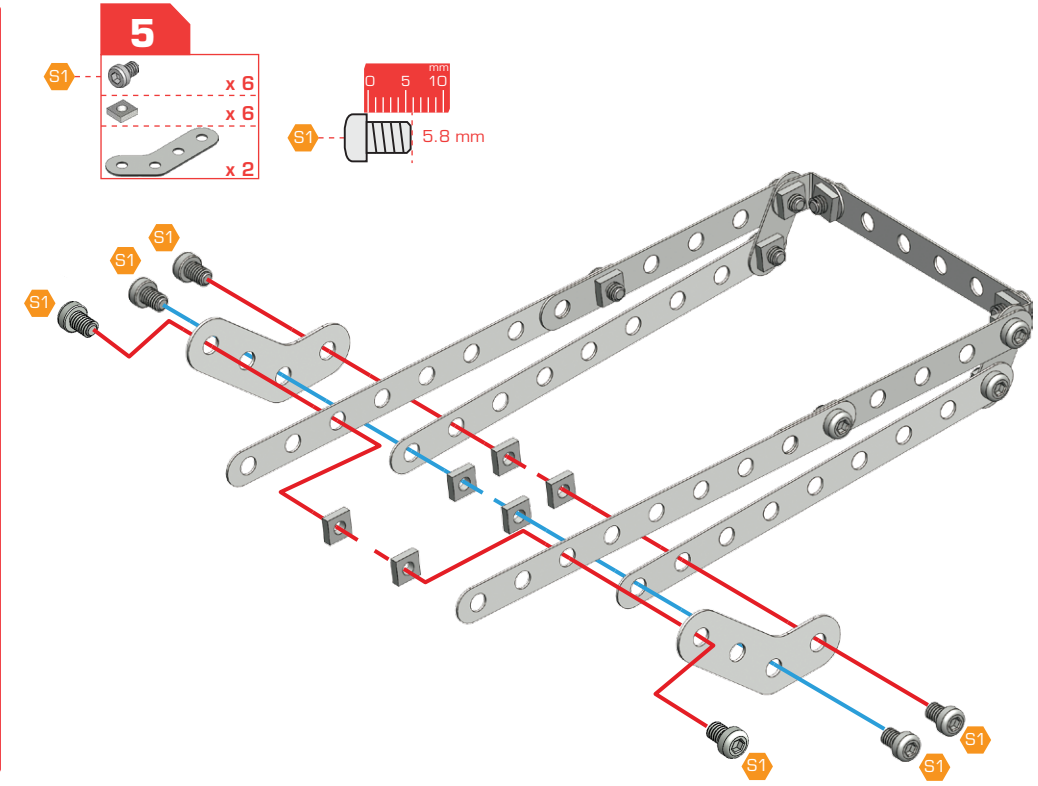
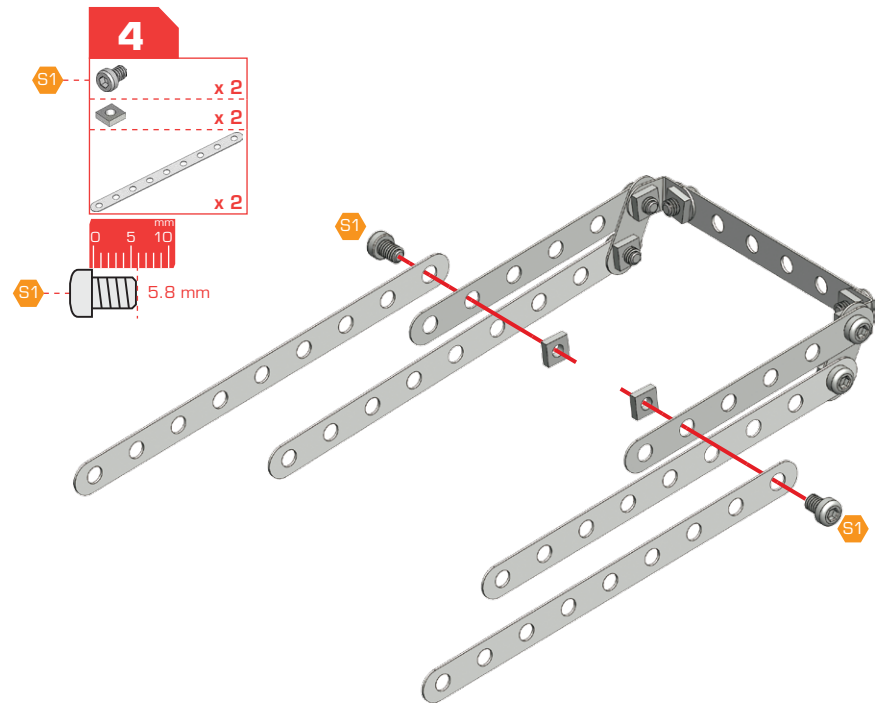


- 2**
- x 2
 - x 2
 - x 2
 - x 1
- 0 5 10 mm
- 5.8 mm

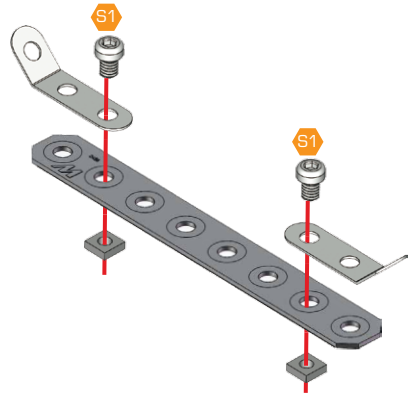


- 3**
- x 2
 - x 2
 - x 2
- 0 5 10 mm
- 5.8 mm

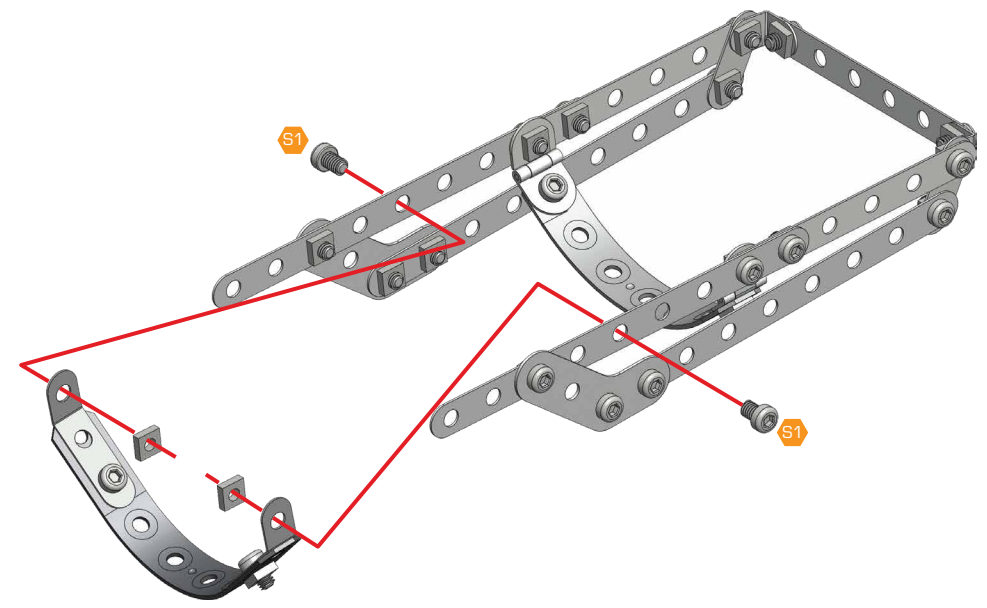




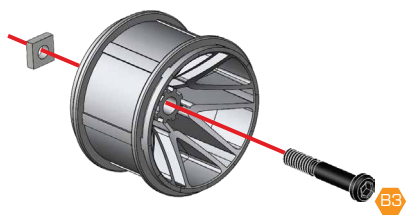
- 8**
- S1 x 2
 - x 2
 - x 2
 - x 1
- 0 5 10 mm
- S1 5.8 mm



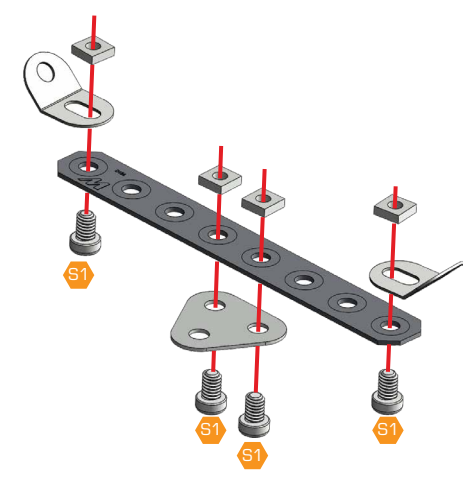
- 9** 7+8
- S1 x 2
 - x 2
- 0 5 10 mm
- S1 5.8 mm




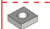



- 10**
- B3 x 2
 - x 2
 - x 2
- 0 5 10 15 20 25 30 mm
- B3 23 mm





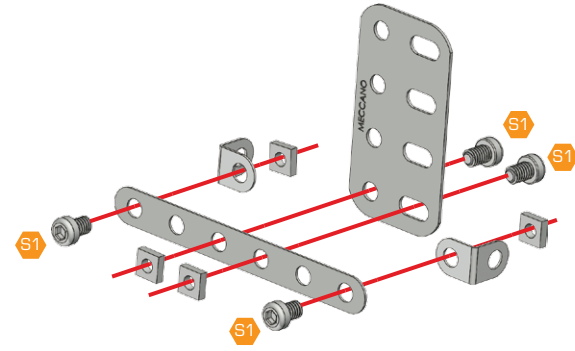
- 11**
- S1 x 4
 - x 4
 - x 2
 - x 1
 - x 1
- 0 5 10 mm
- S1 5.8 mm



12

	x 4
	x 4
	x 2
	x 2
	x 1

 5.8 mm

13 9+10+11+12

	x 6
	x 2

