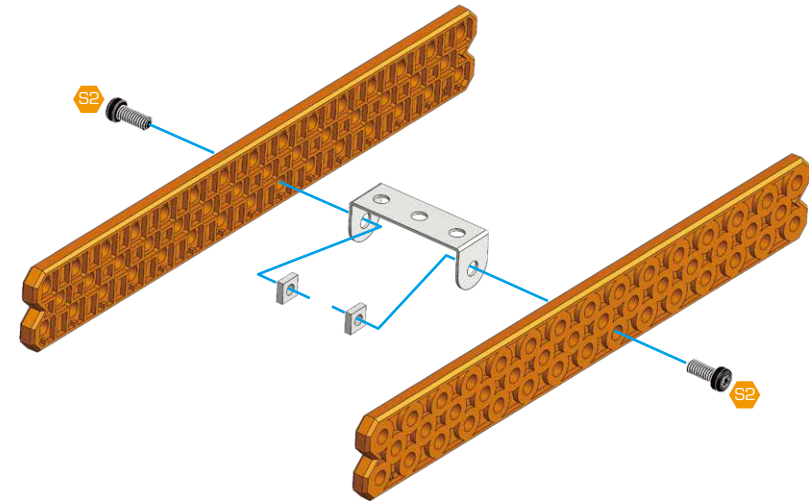
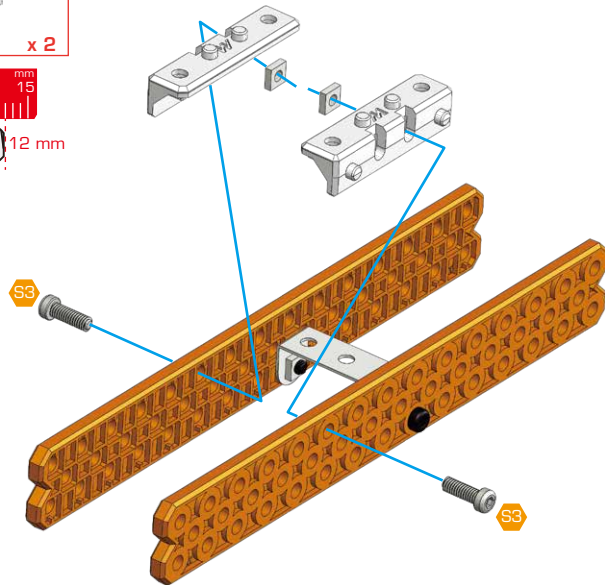




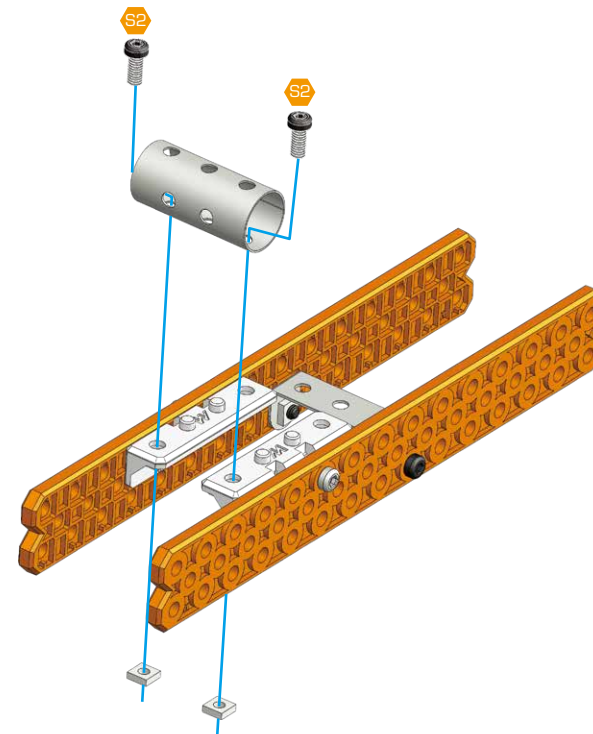
- 1**
- x 2
 - x 2
 - x 1
 - x 2
- 0 5 10 mm
- 9.5 mm

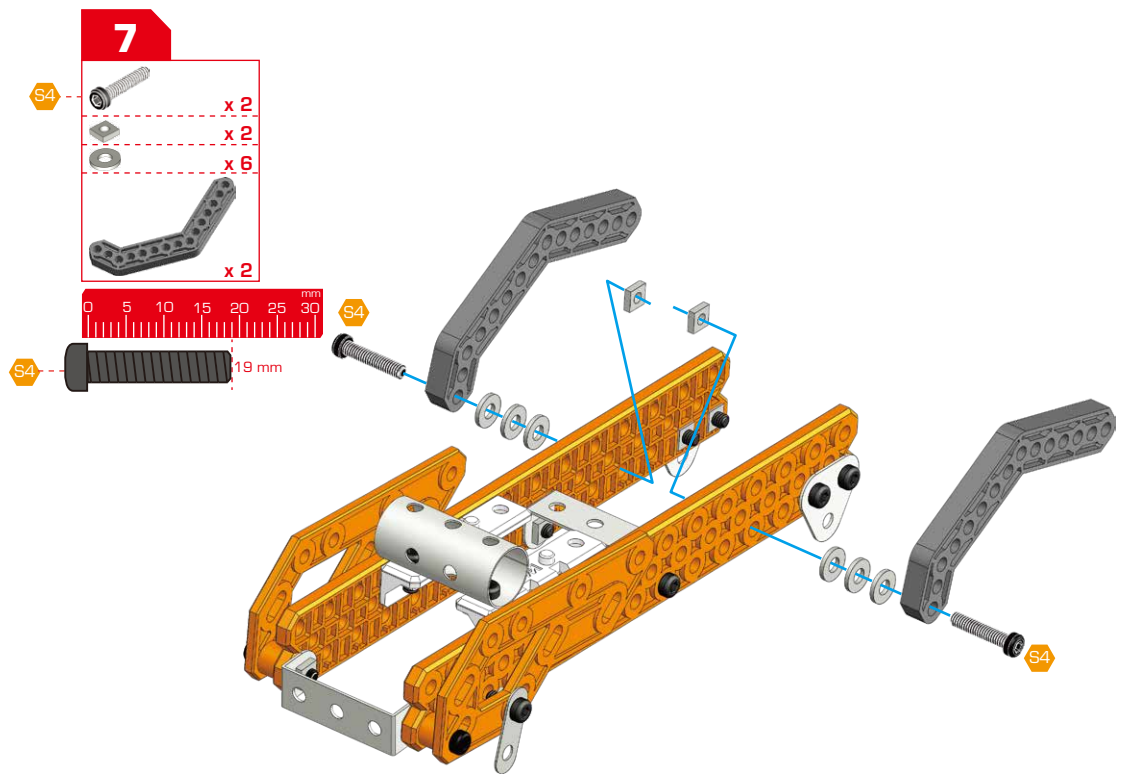
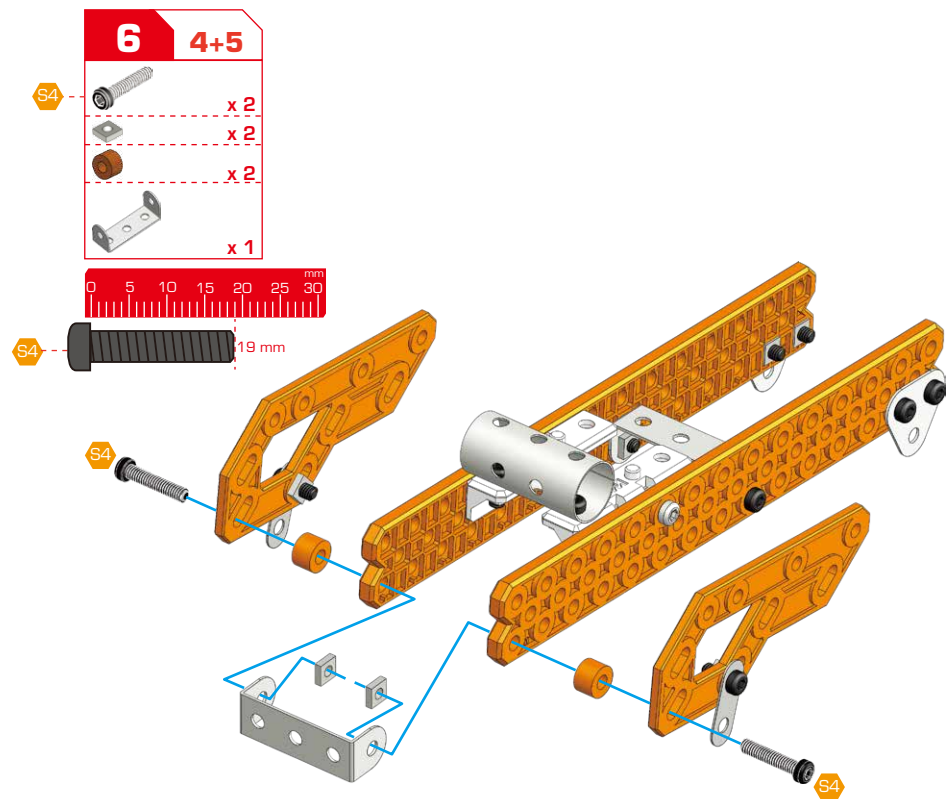
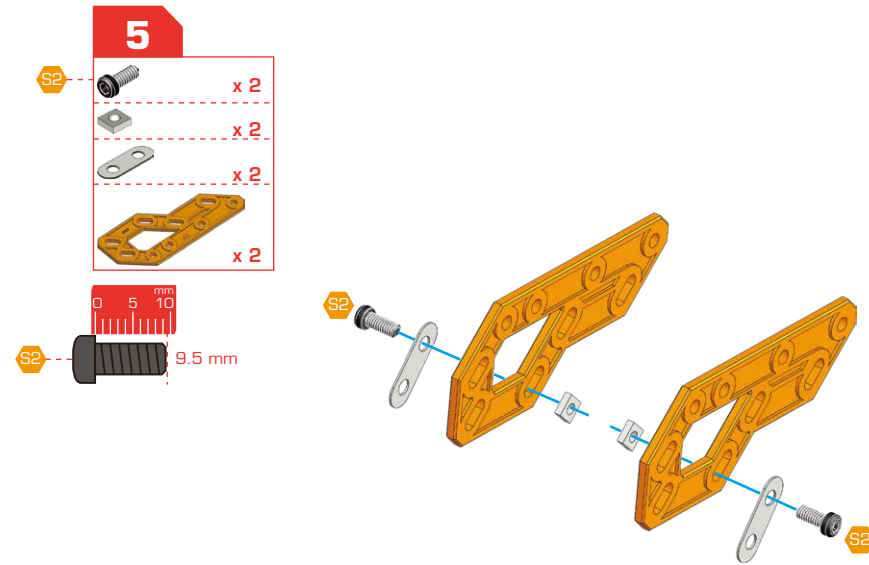
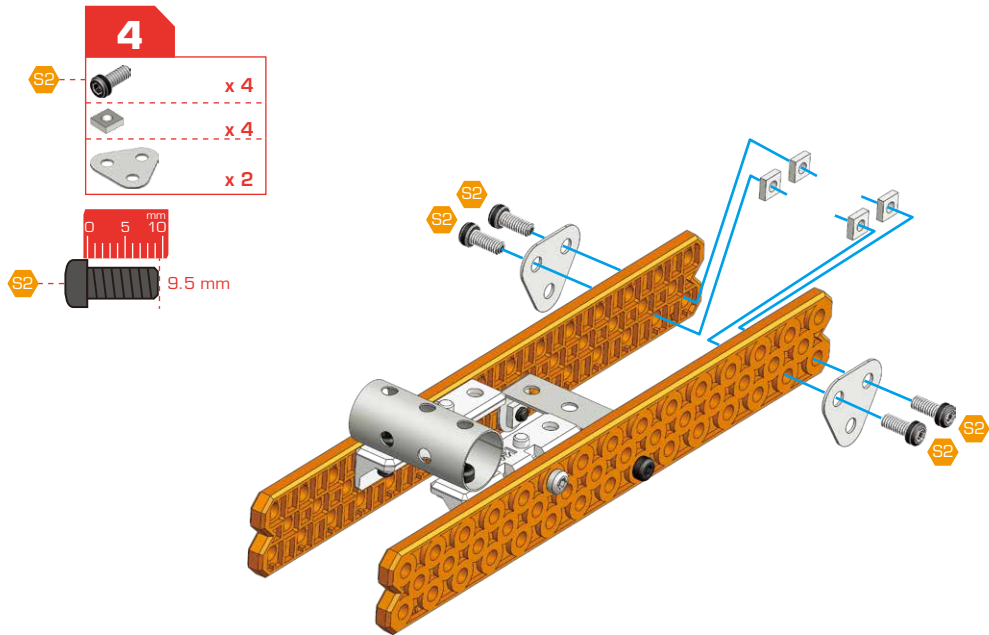


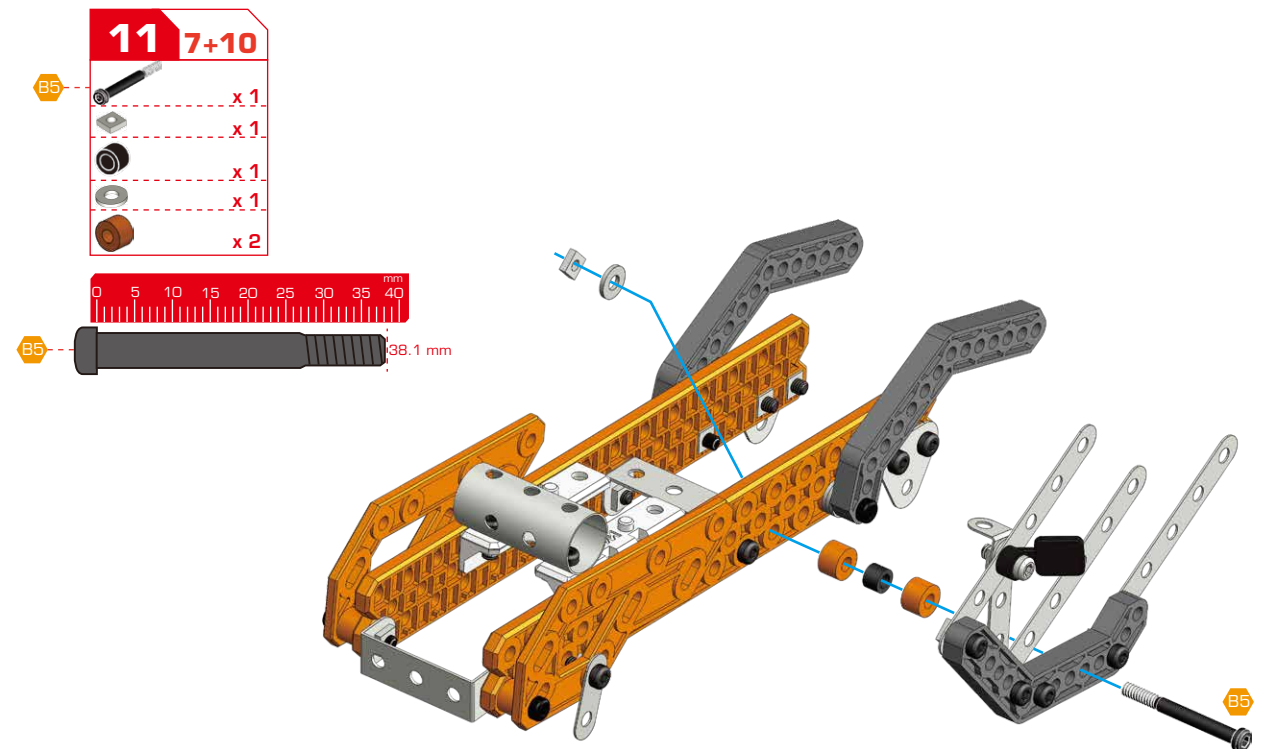
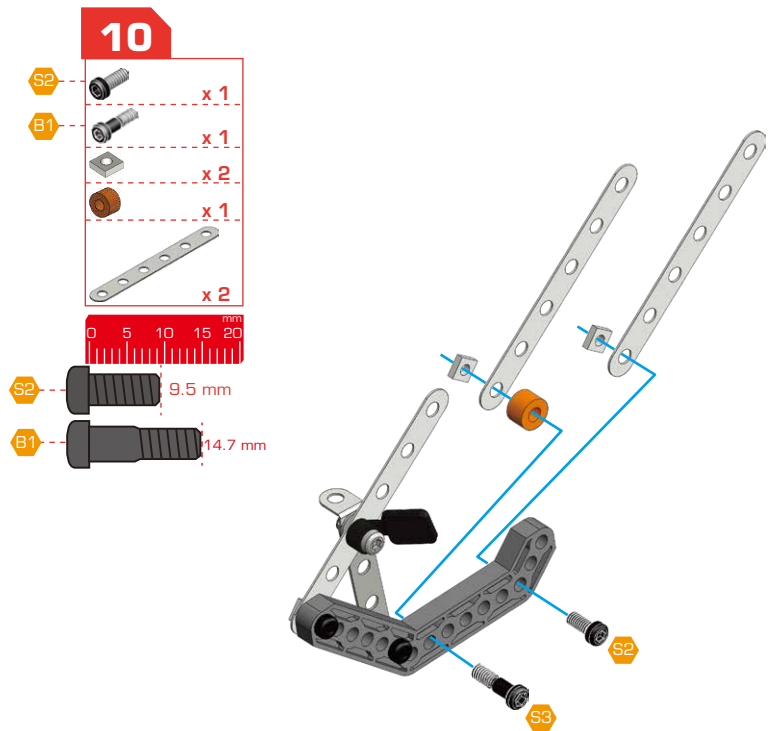
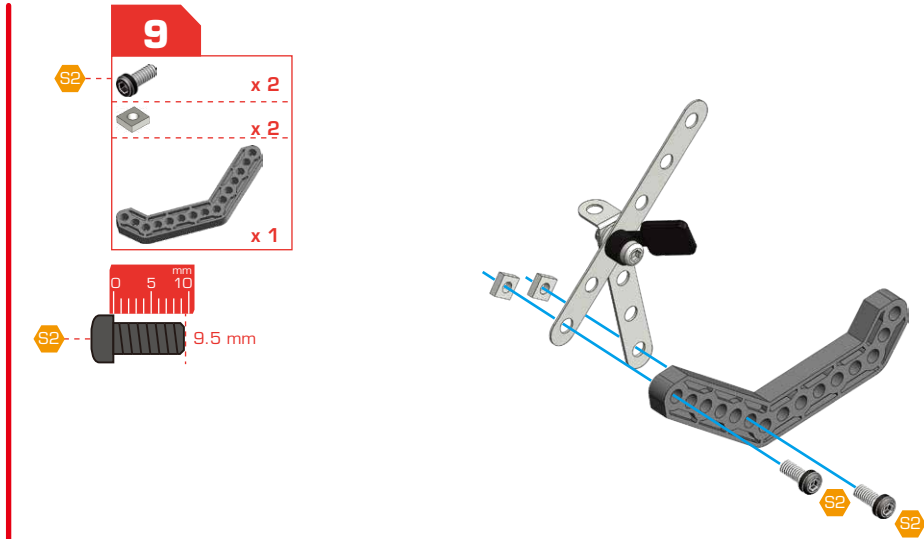
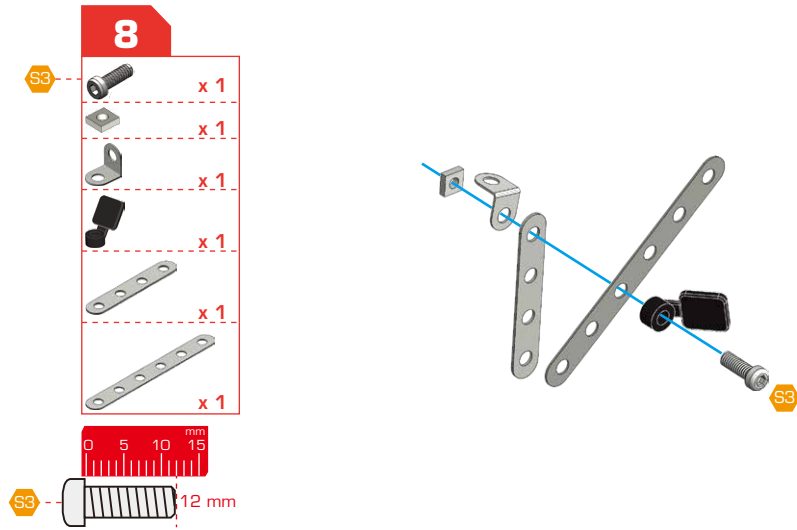
- 2**
- x 2
 - x 2
 - x 2
- 0 5 10 15 mm
- 12 mm

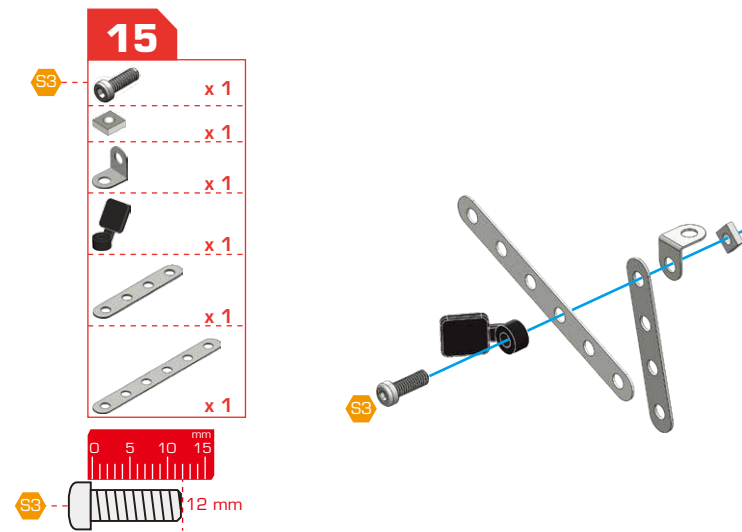
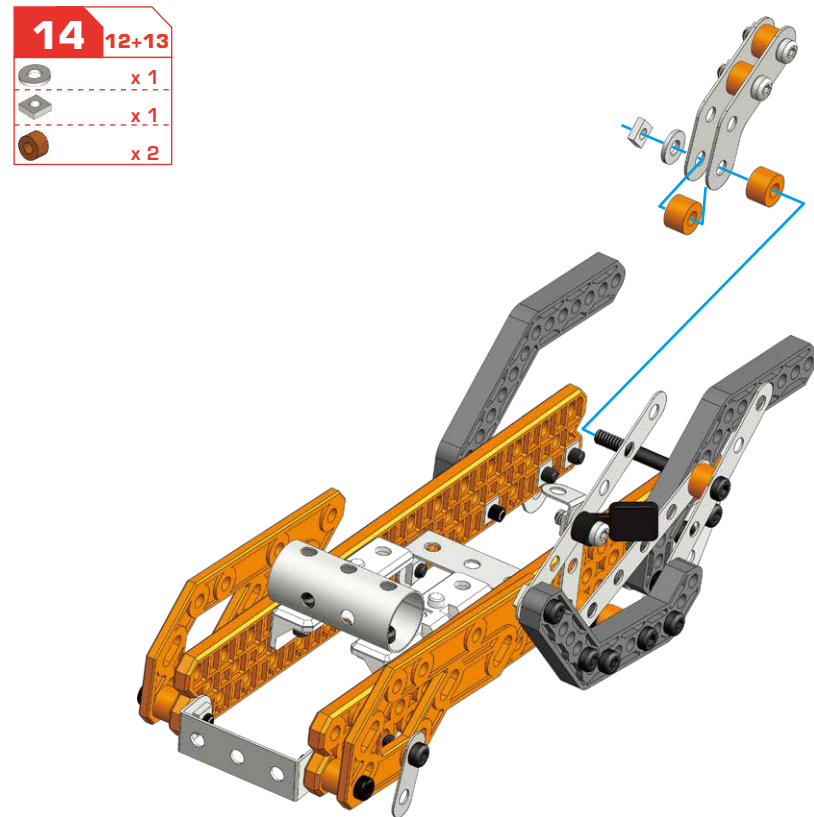
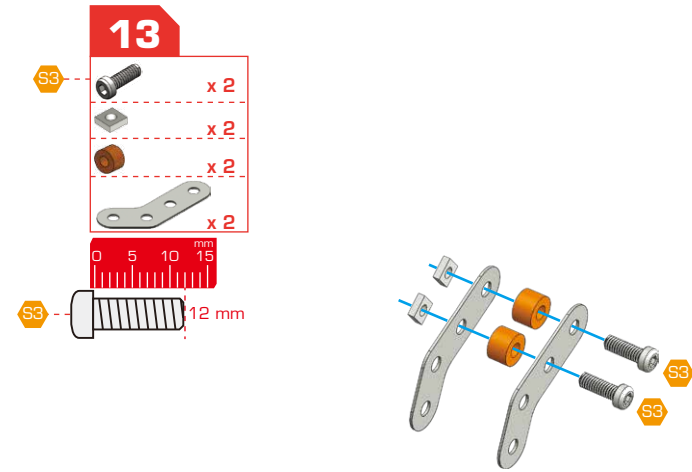
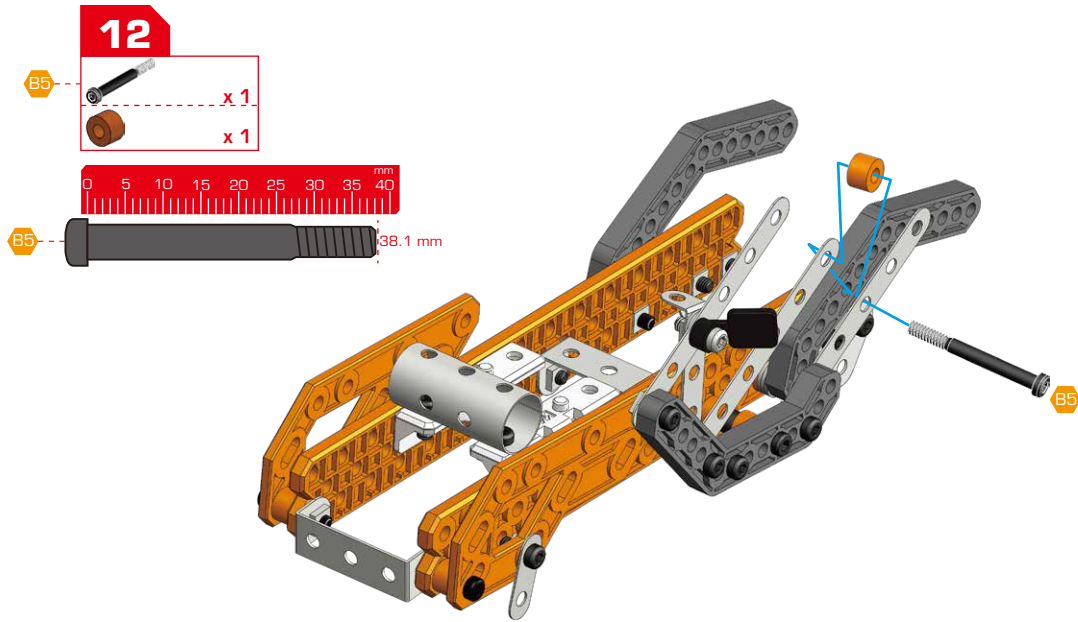


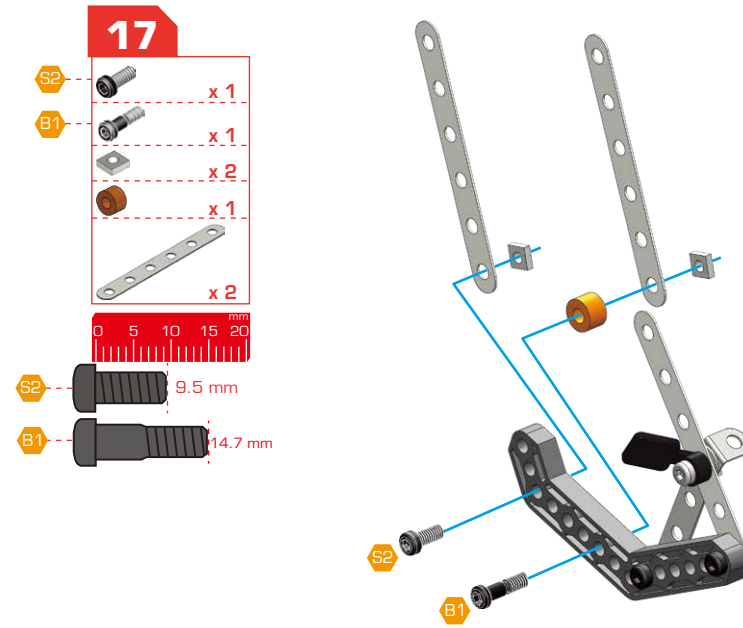
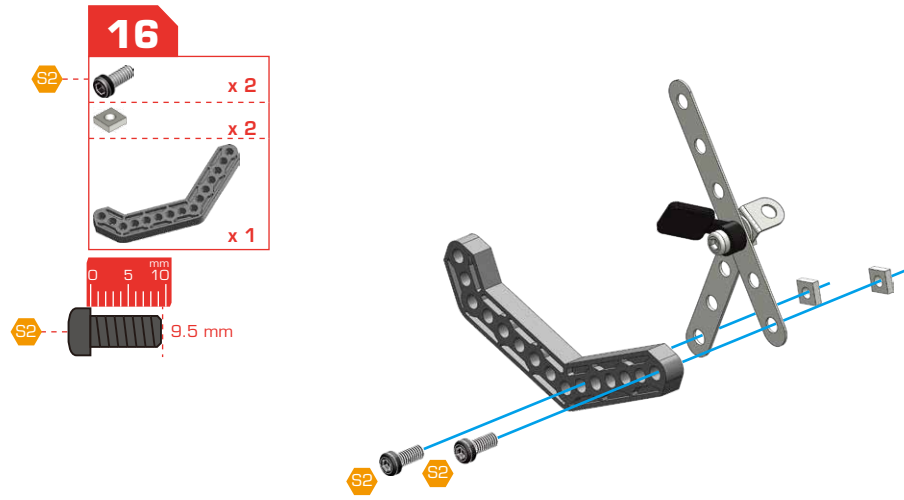
- 3**
- x 2
 - x 2
 - x 1
- 0 5 10 mm
- 9.5 mm





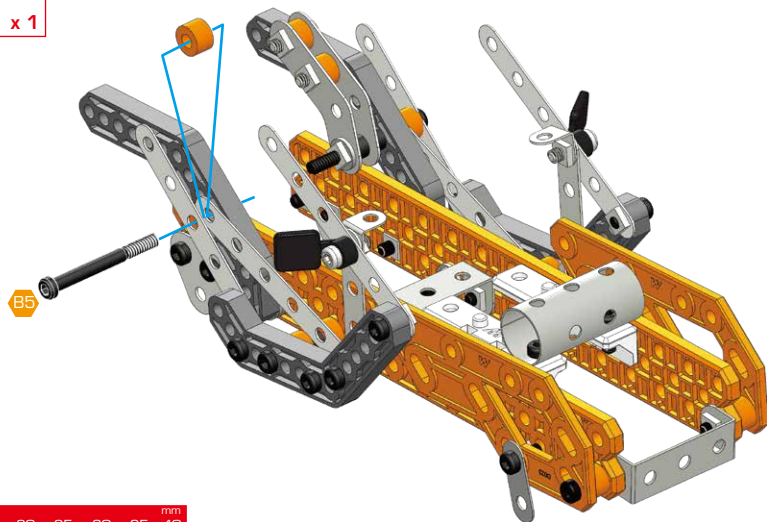






19

- B5 x 1
- x 1



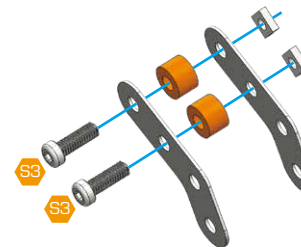
B5 38.1 mm

20

- S3 x 2
- x 2
- x 2
- x 2

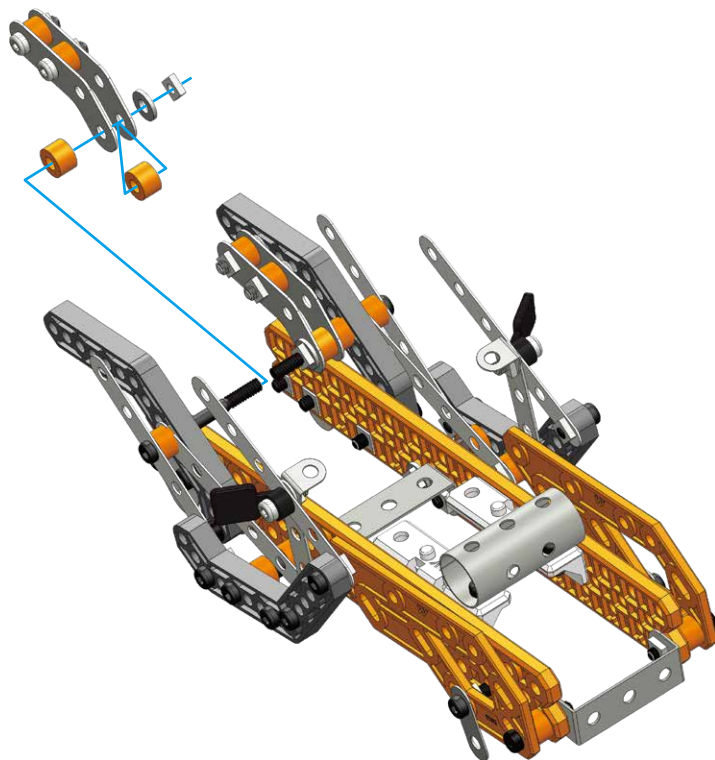


S3 12 mm



21 19+20

- x 1
- x 1
- x 2

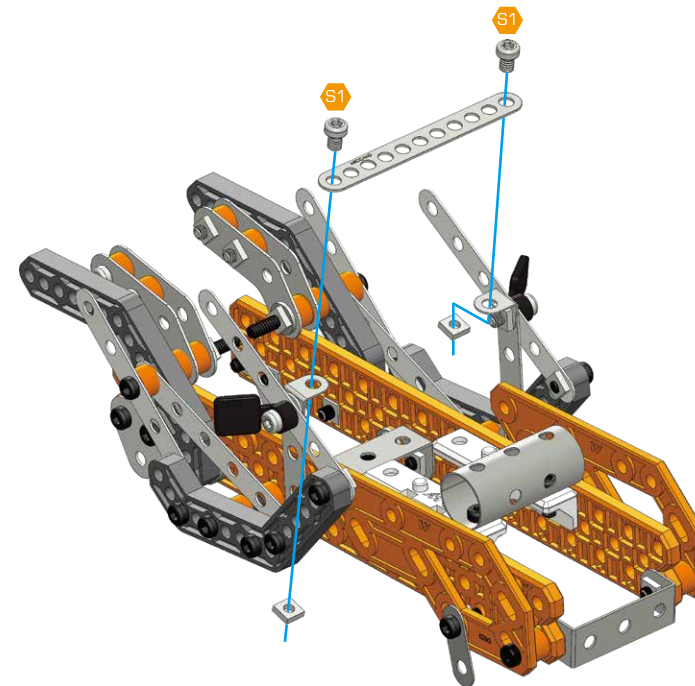


22

- S1 x 2
- x 2
- x 1



S1 5.8 mm

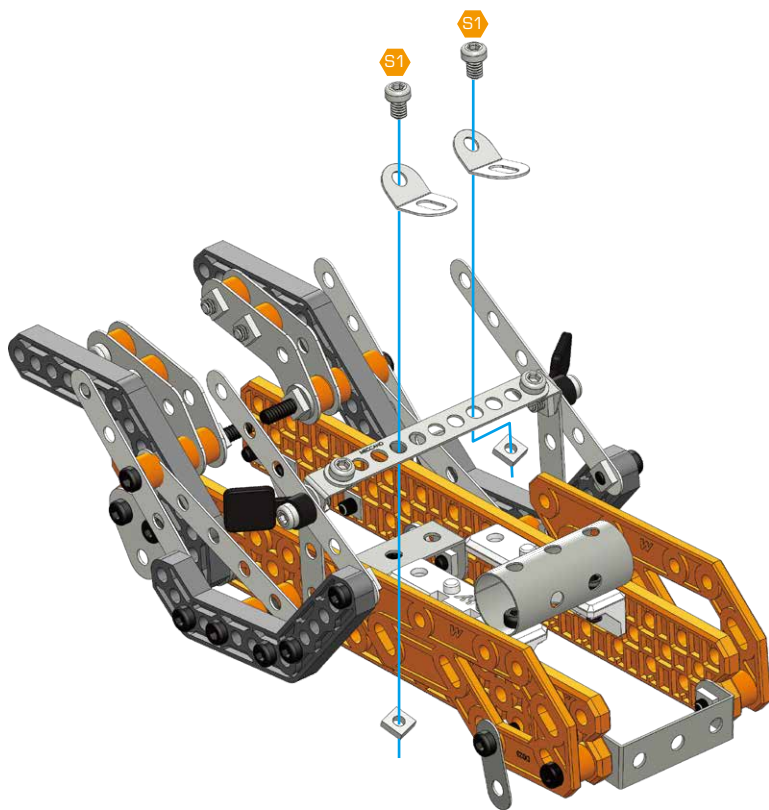


23

- S1 x 2
- x 2
- x 2



S1 5.8 mm

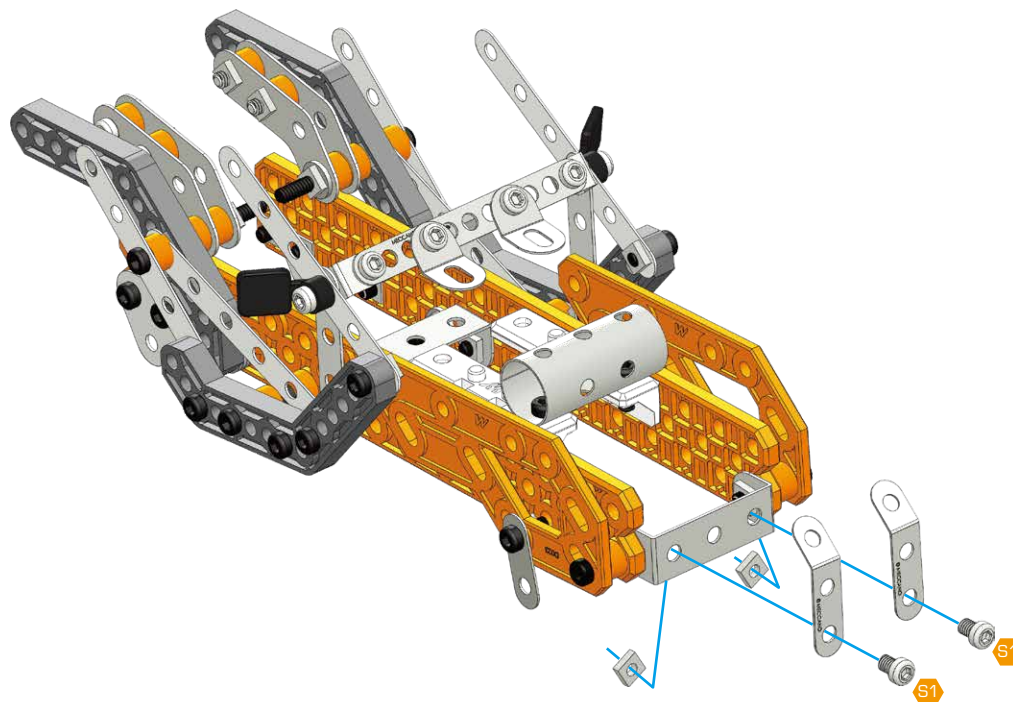


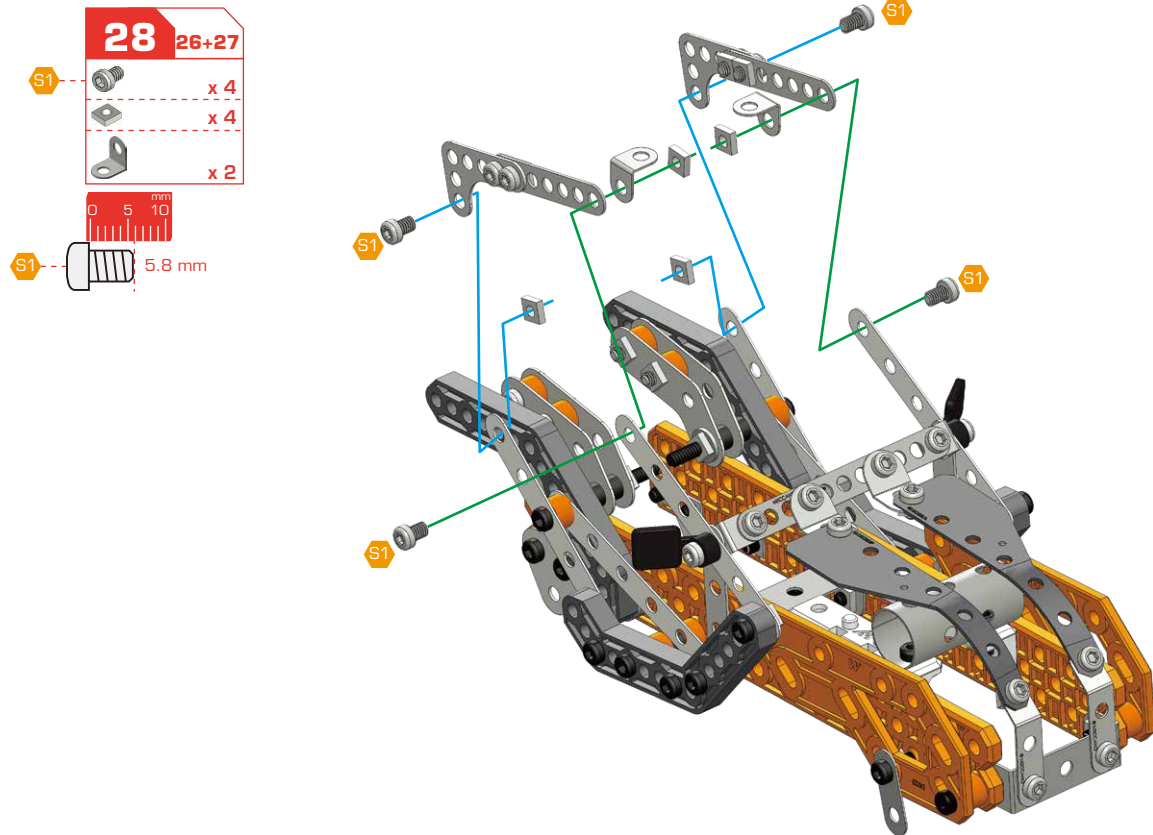
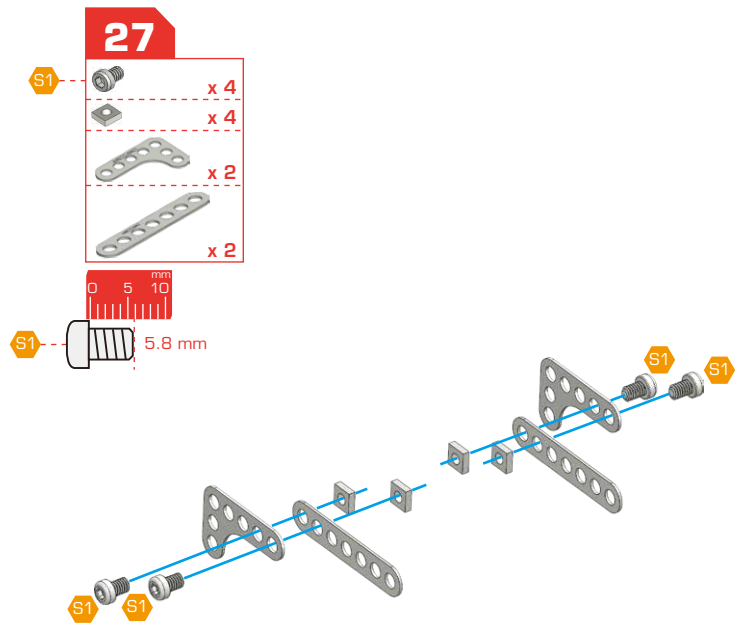
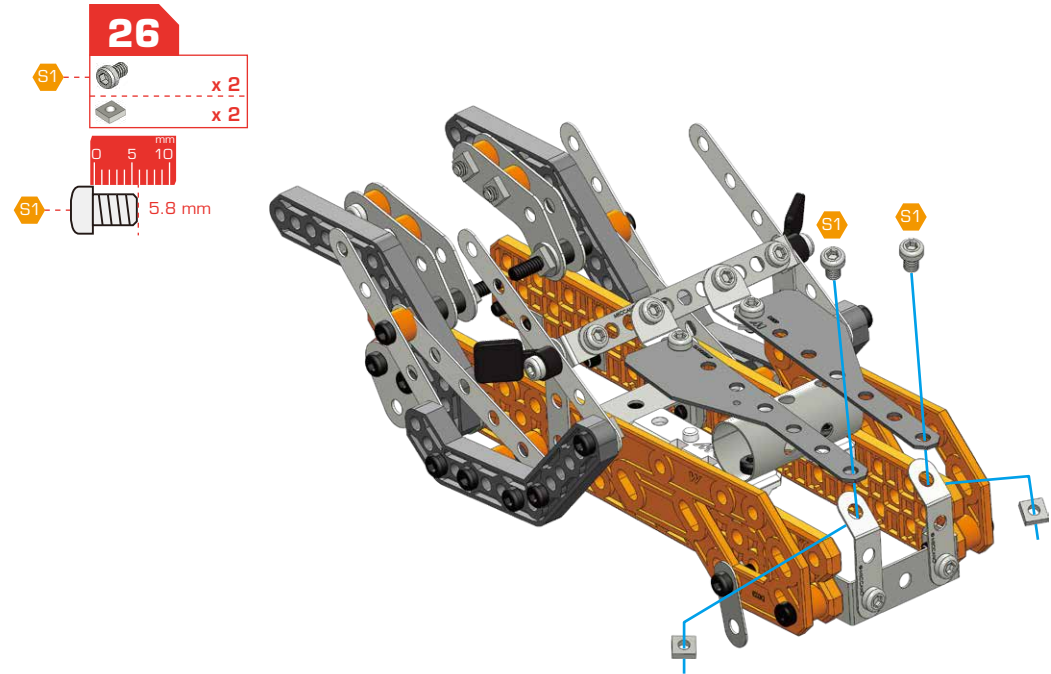
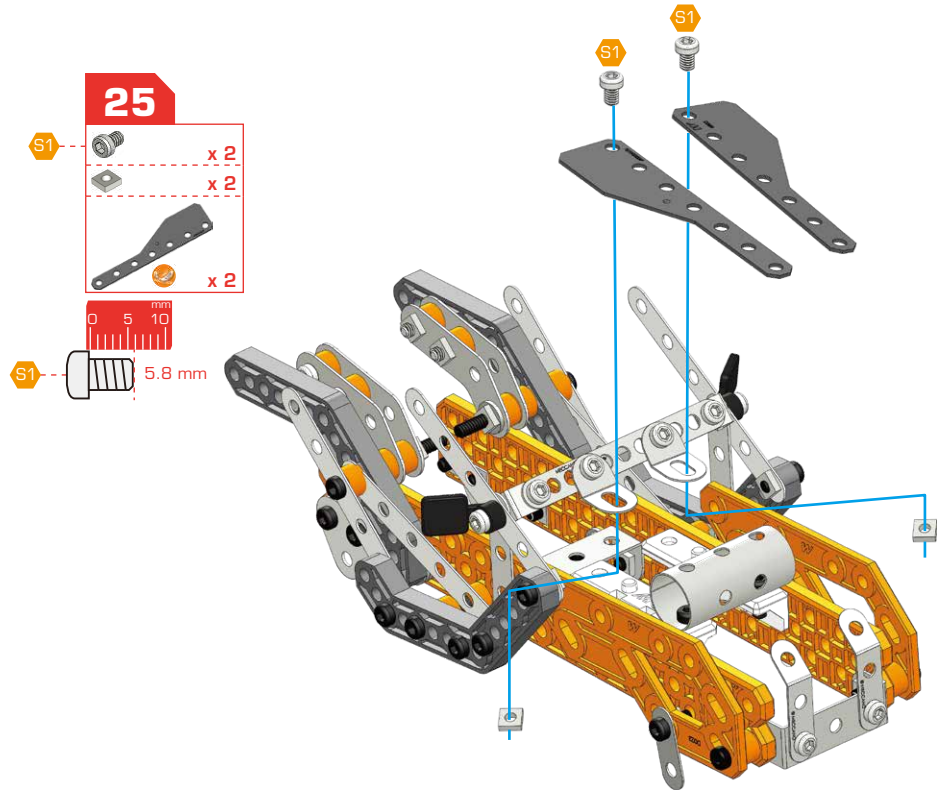
24

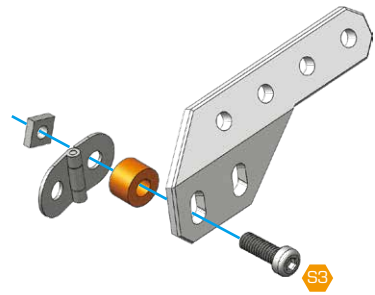
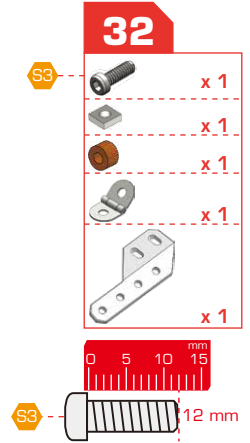
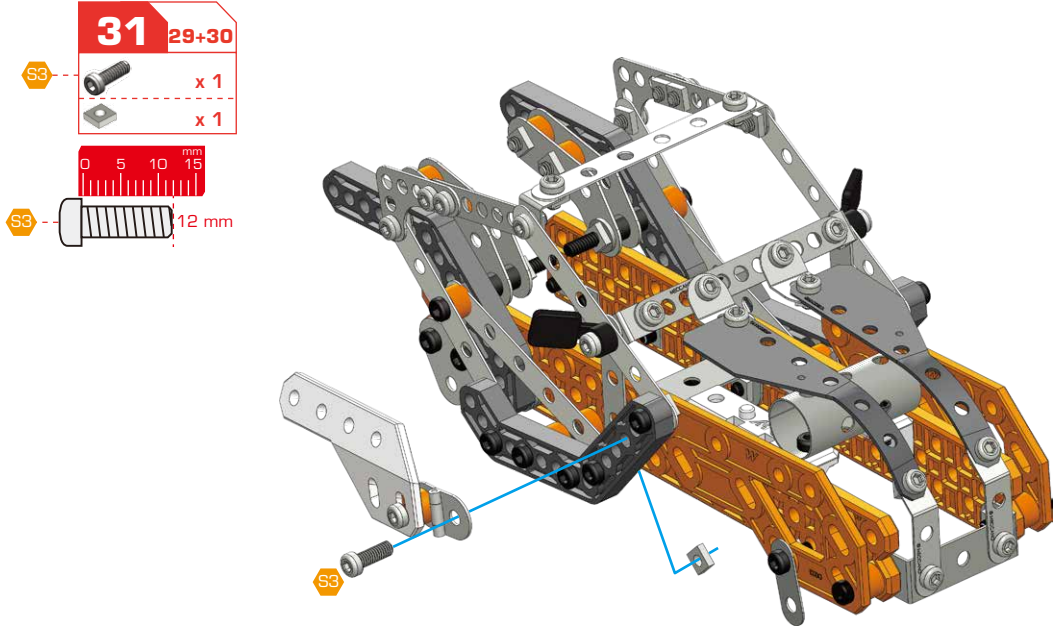
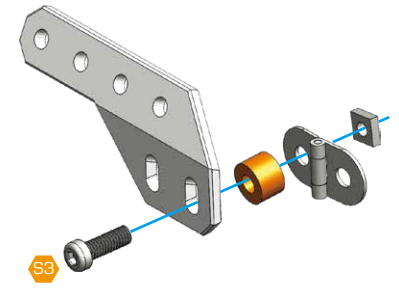
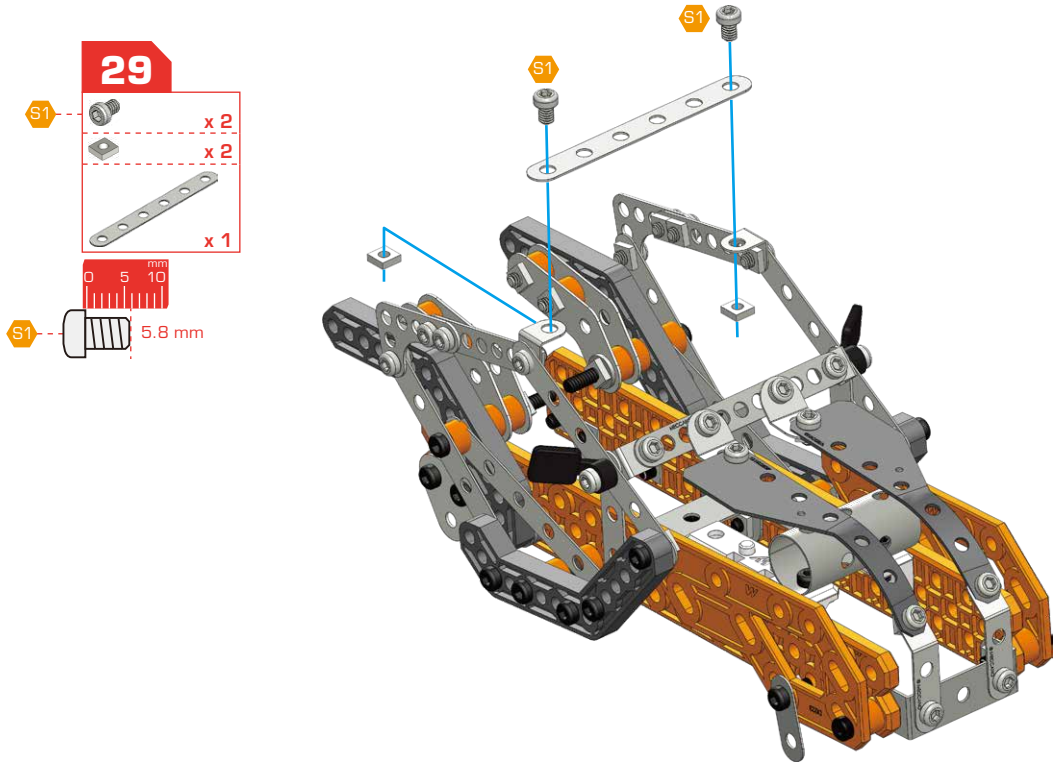
- S1 x 2
- x 2
- x 2

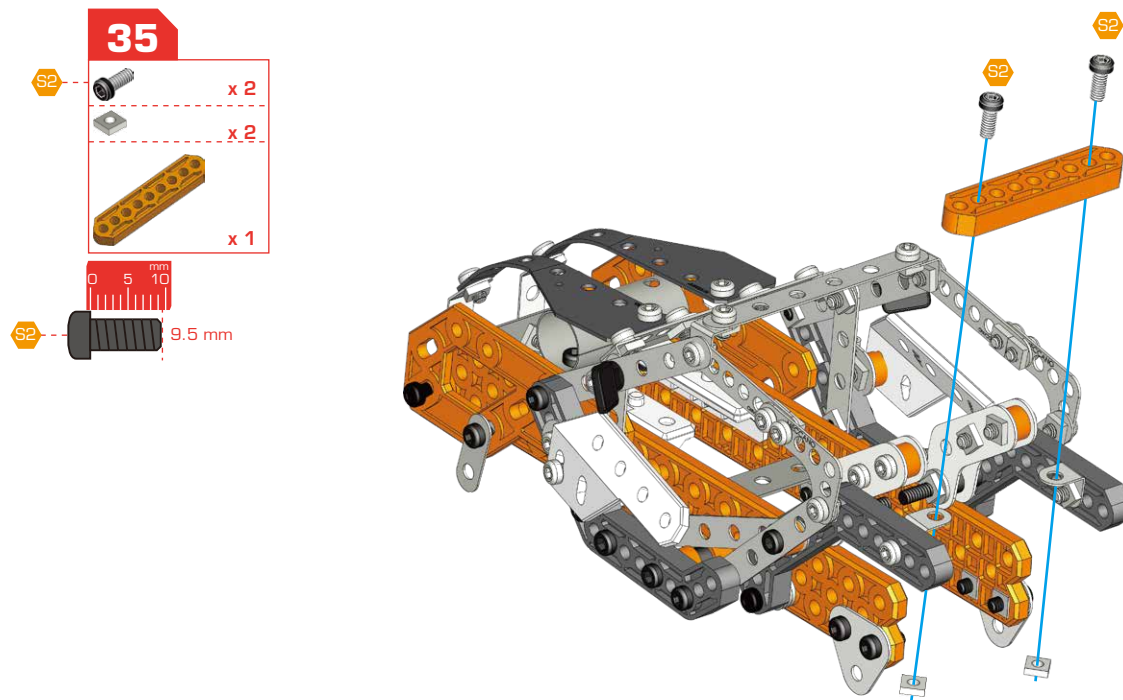
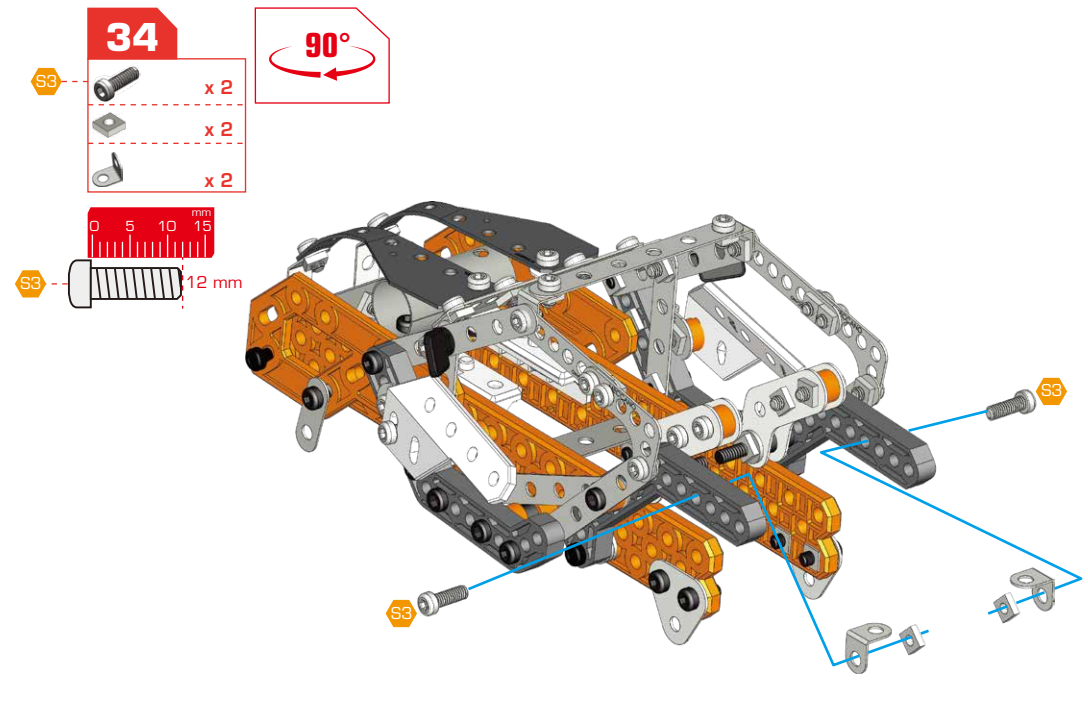
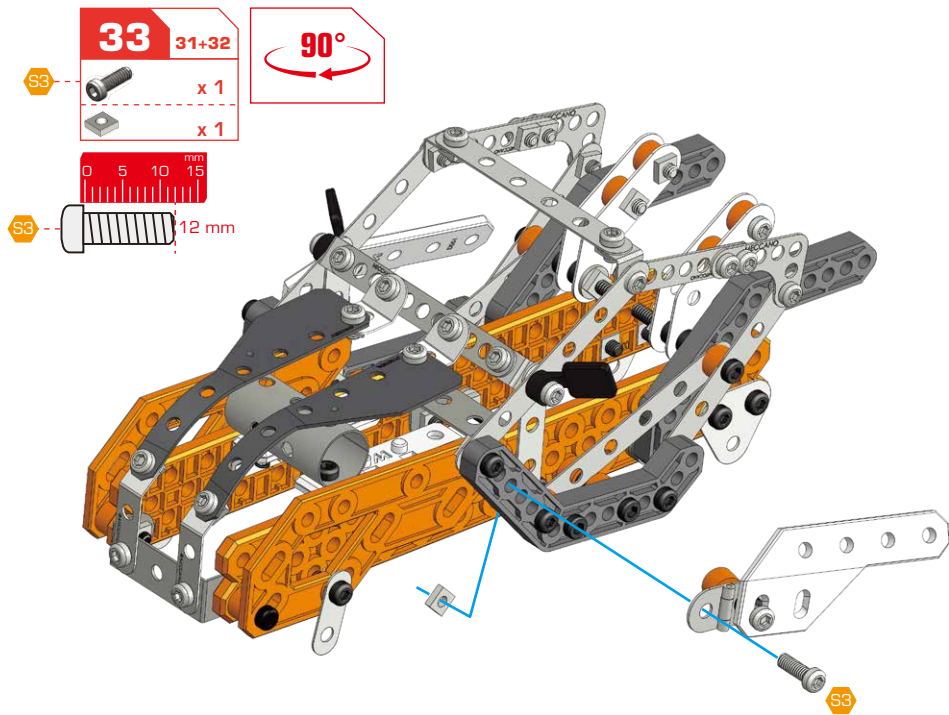


S1 5.8 mm

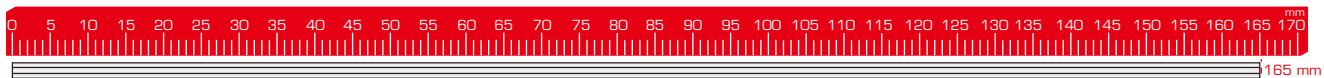
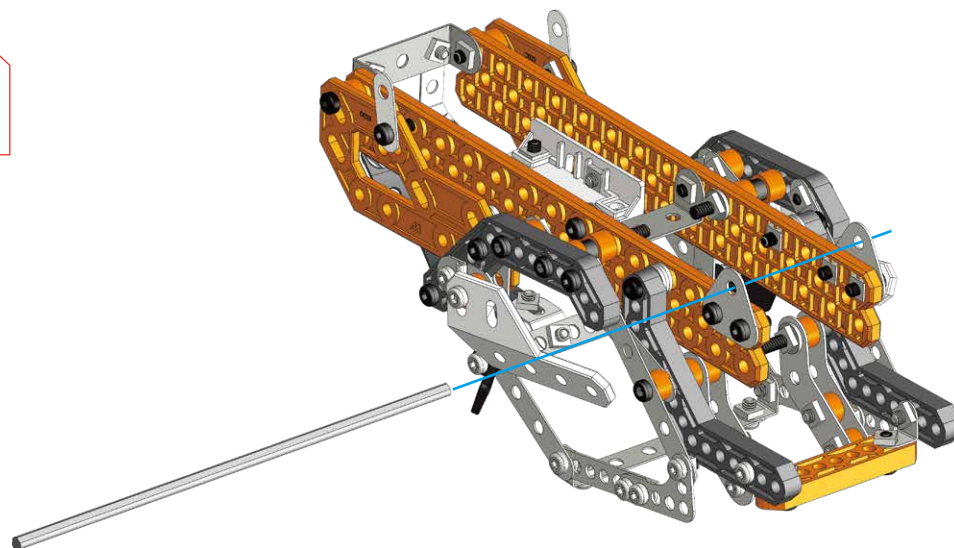








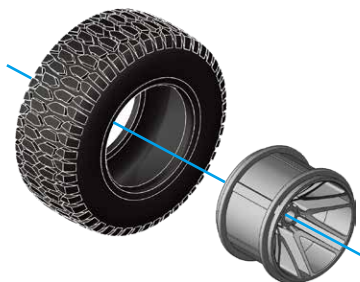
36



37

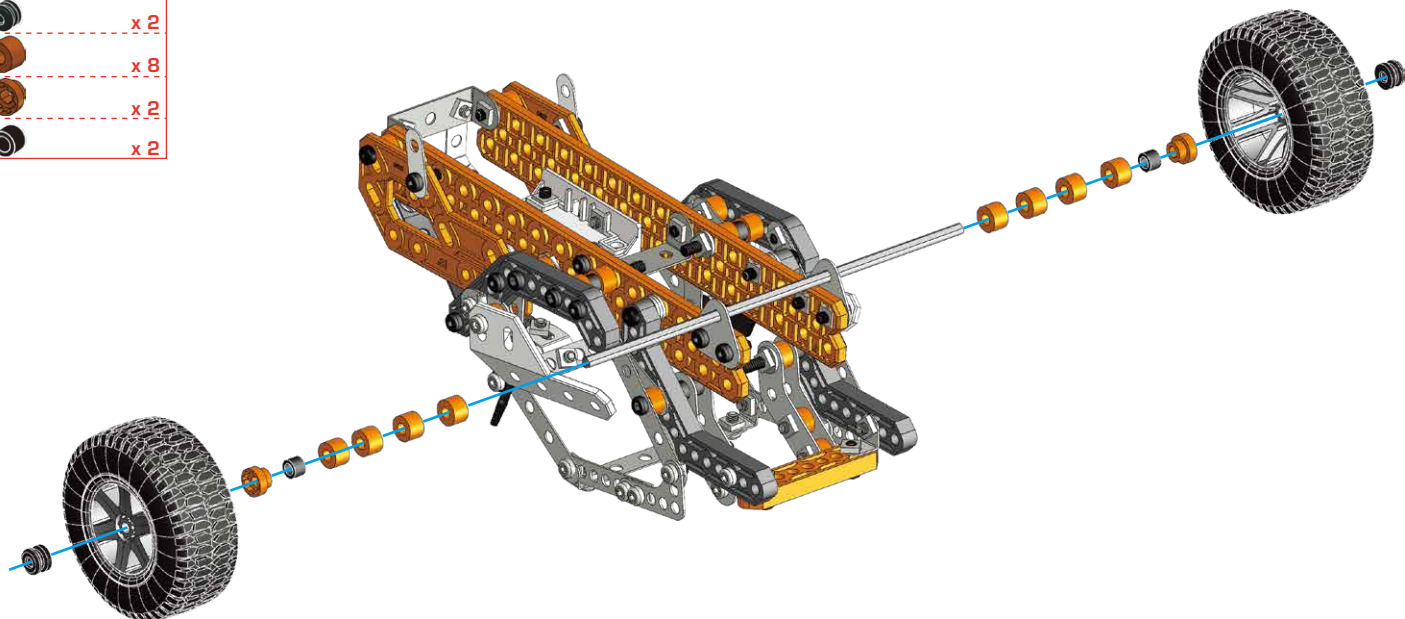


x 4

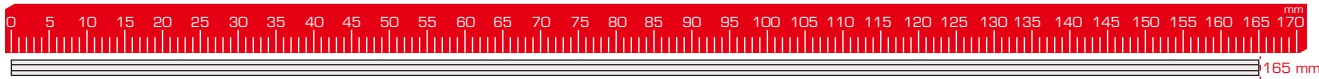
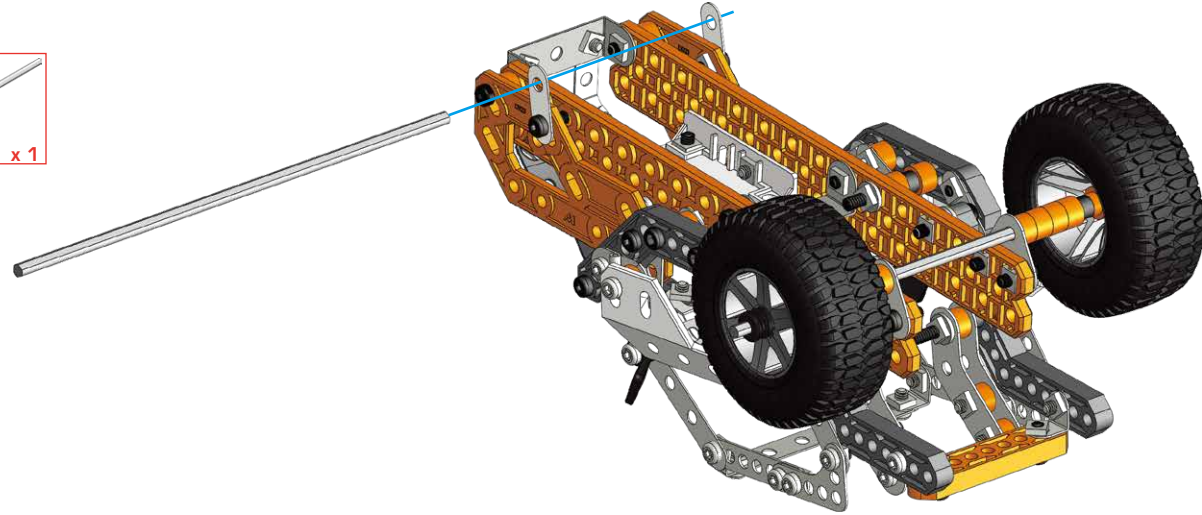


38

36+37

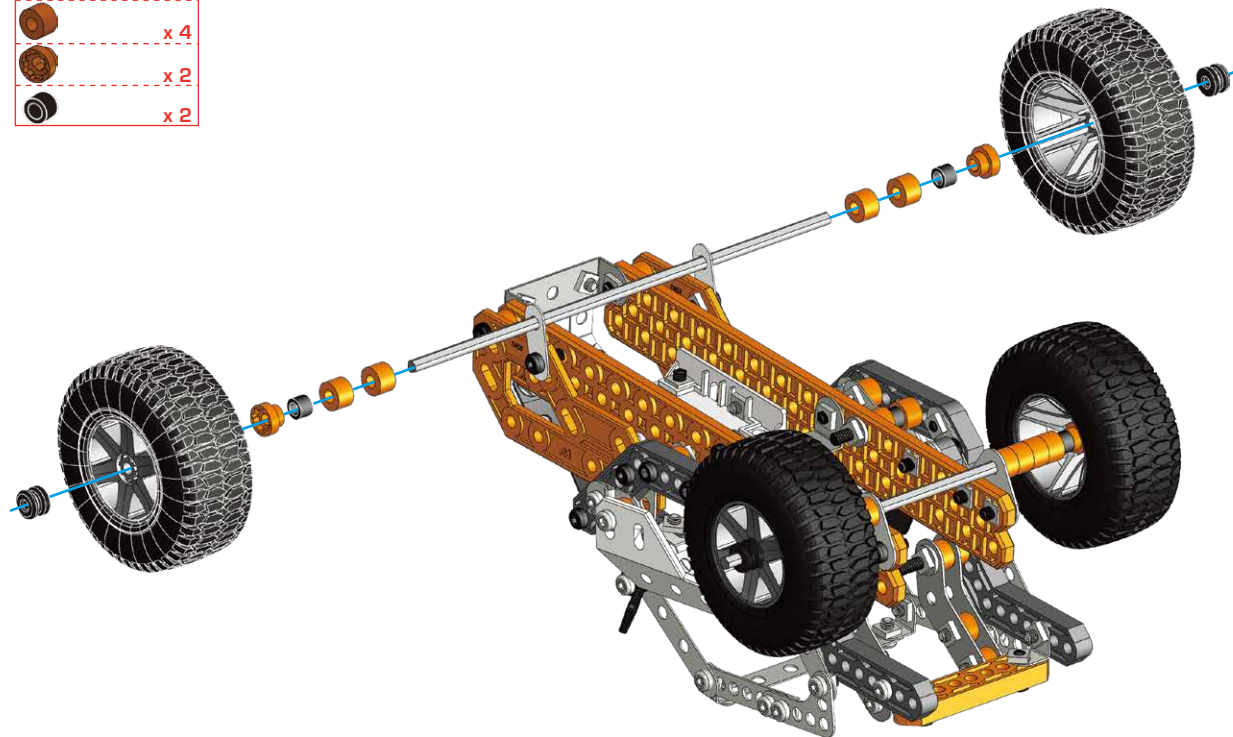


39
x 1



40 37+39

	x 2
	x 4
	x 2
	x 2



180°

