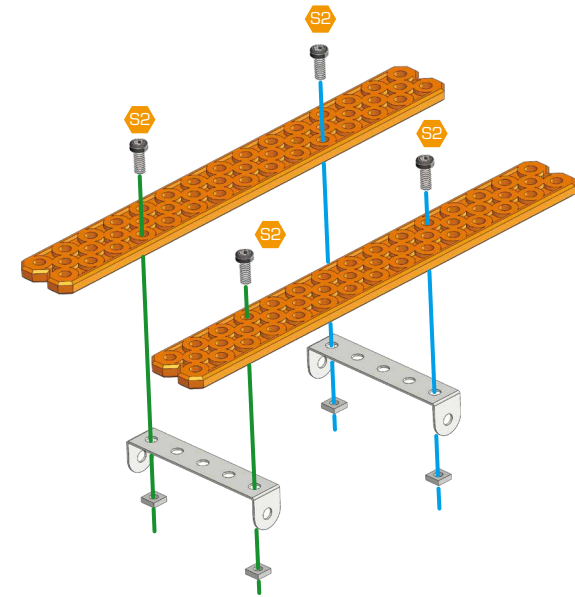
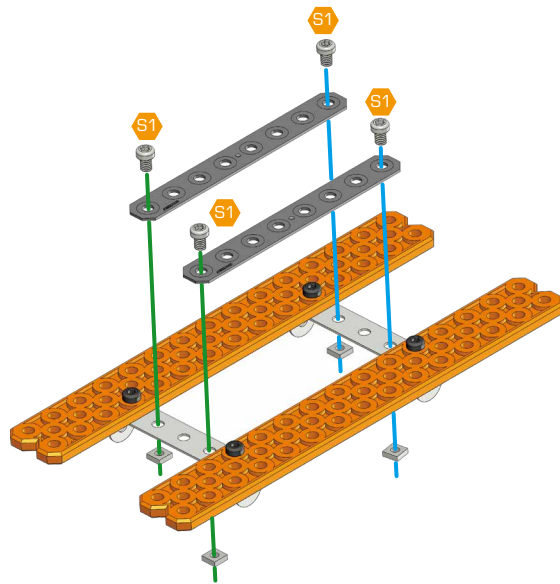




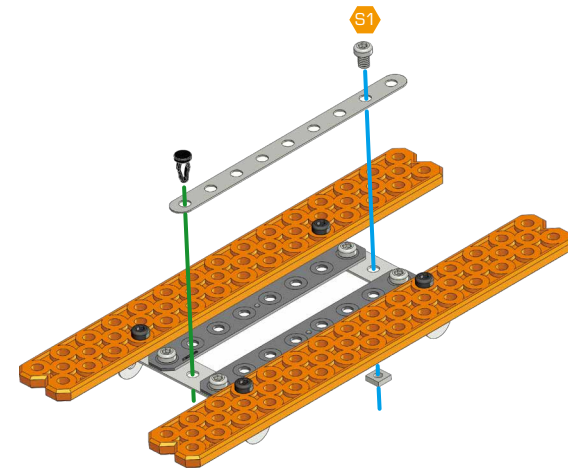
- 1**
- S2 x 4
 - x 4
 - x 2
 - x 2
- S2 9.5 mm

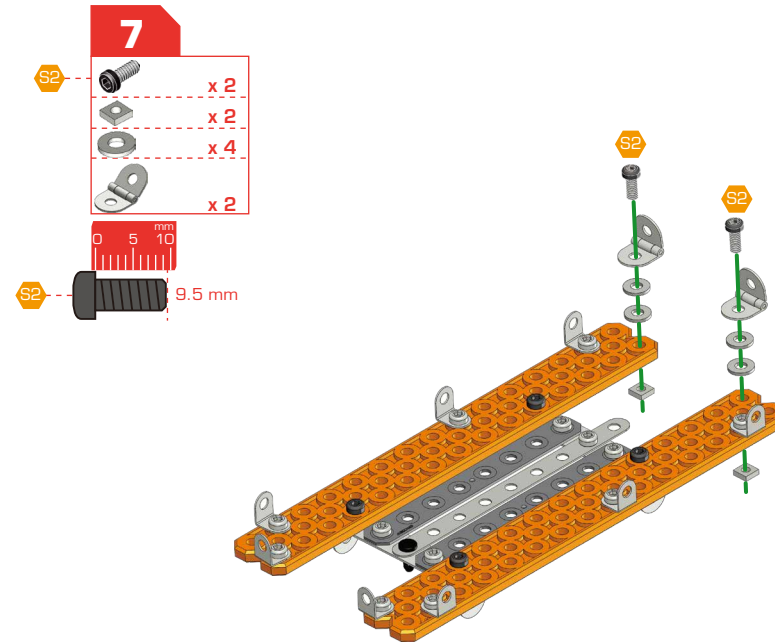
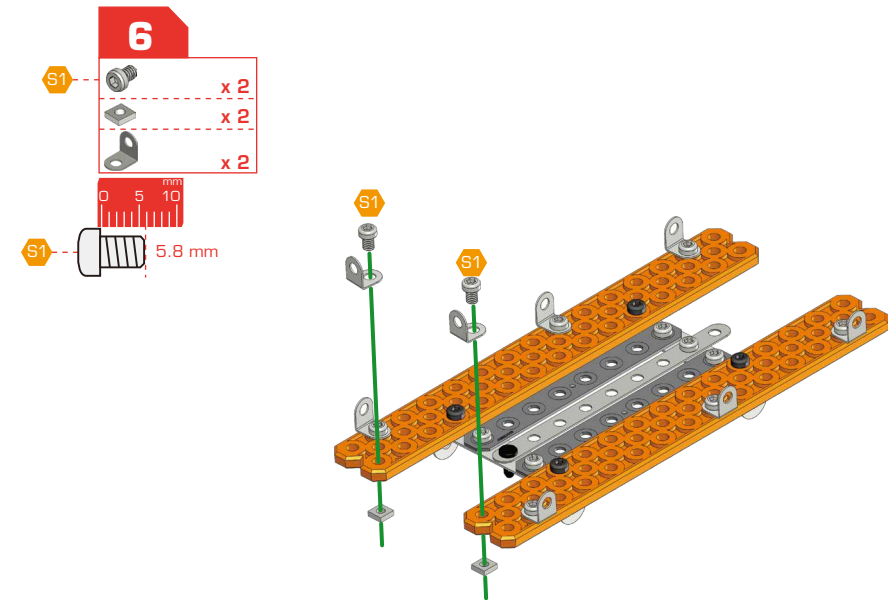
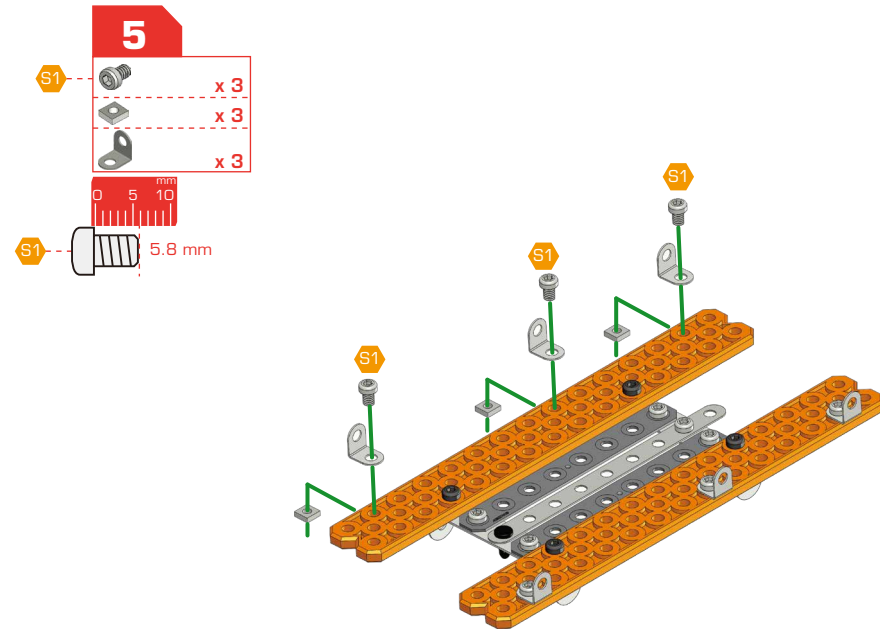
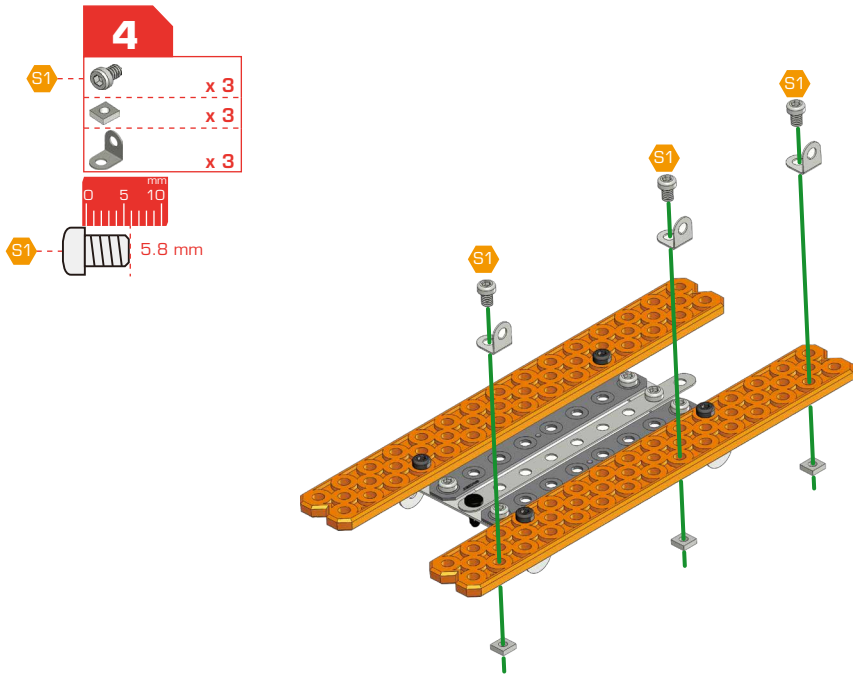


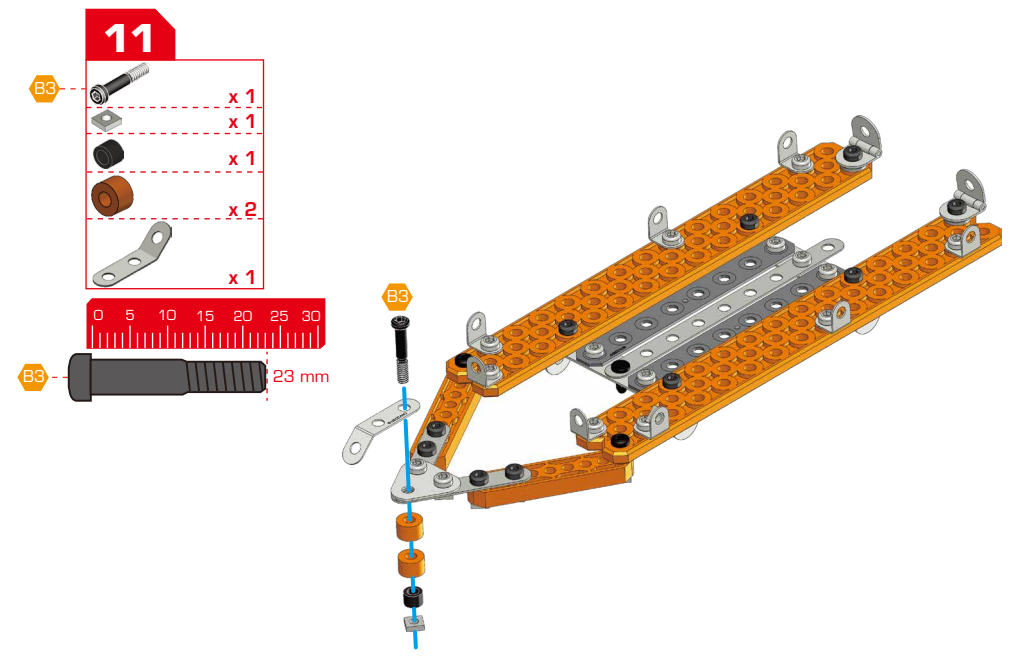
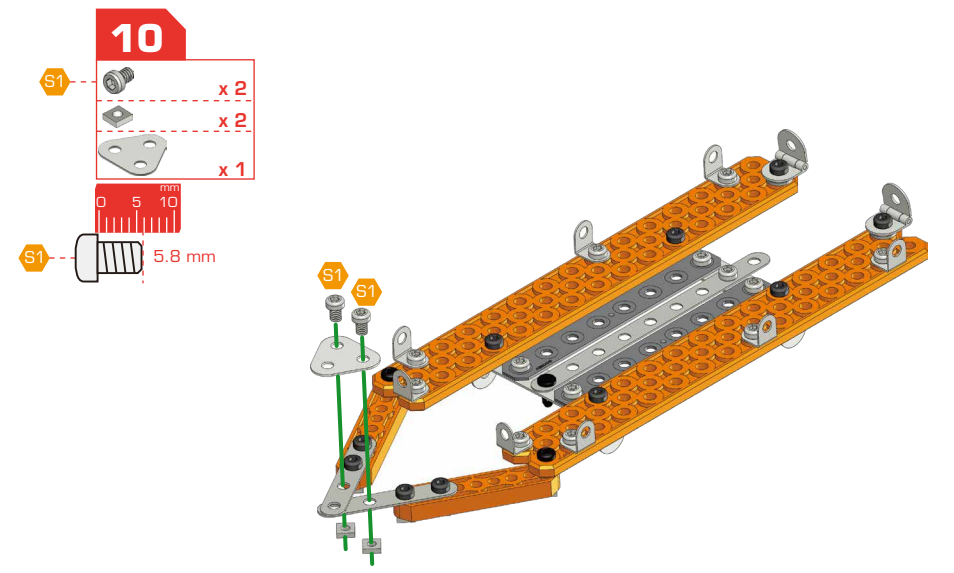
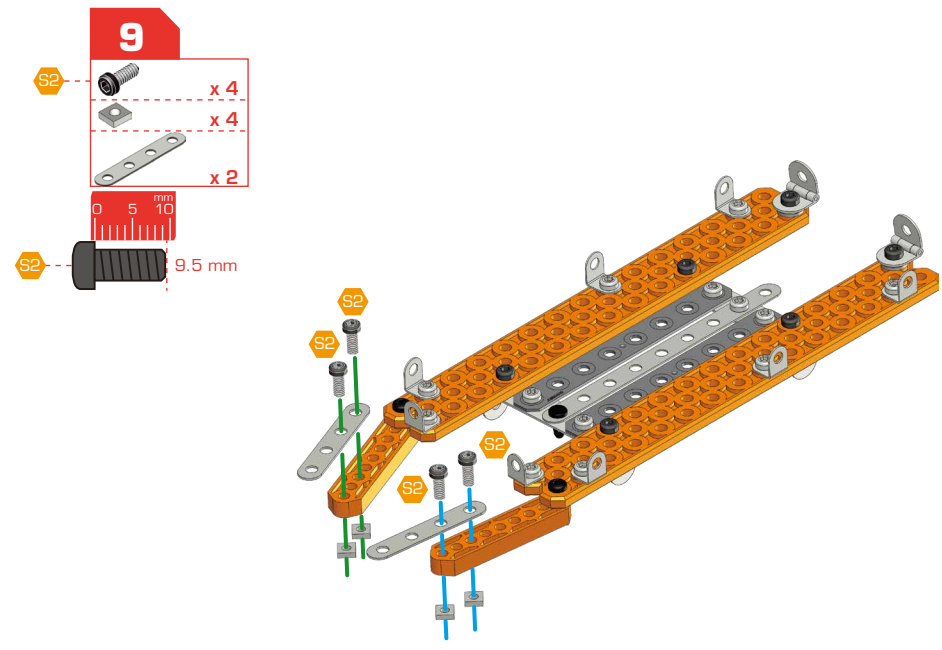
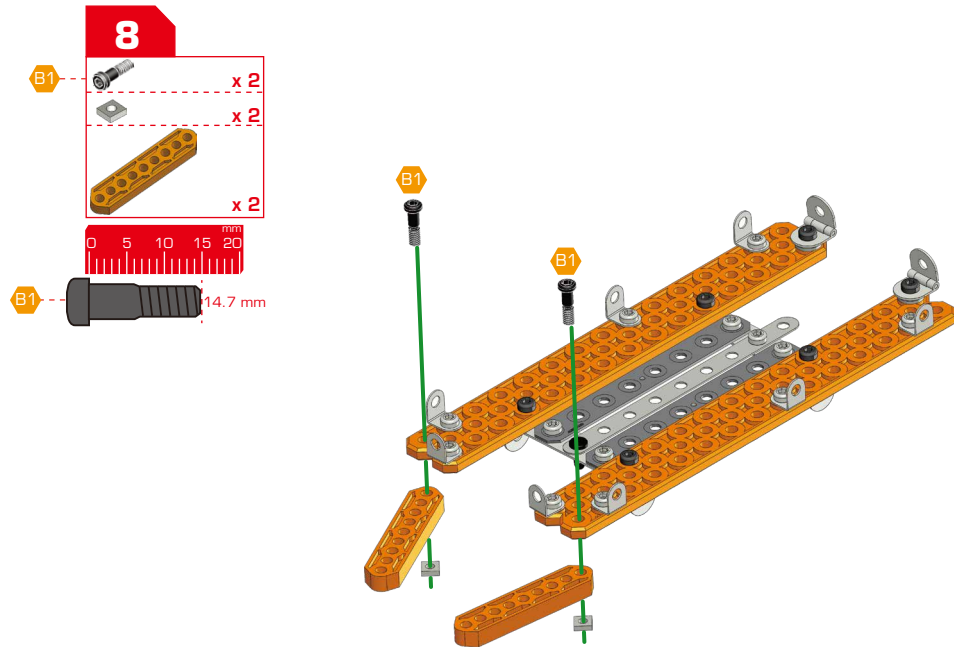
- 2**
- S1 x 4
 - x 4
 - x 2
- S1 5.8 mm

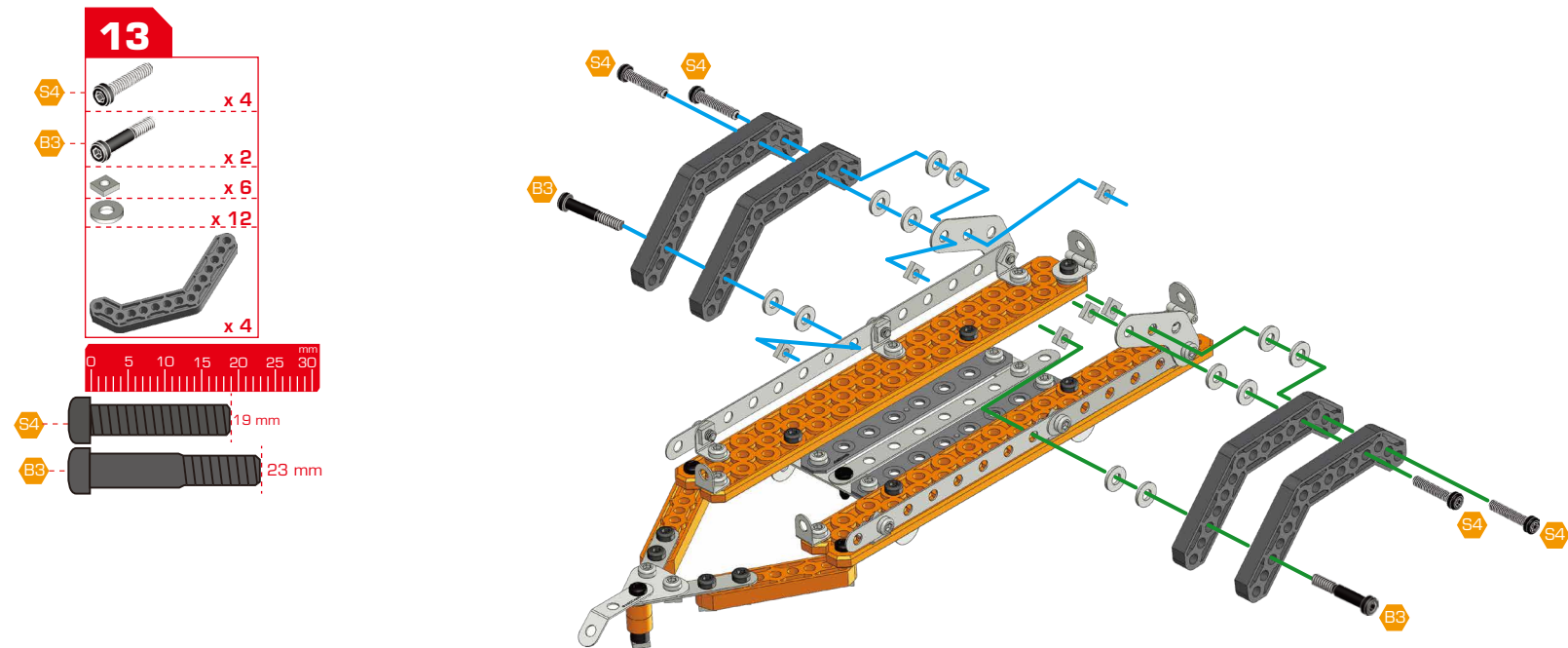
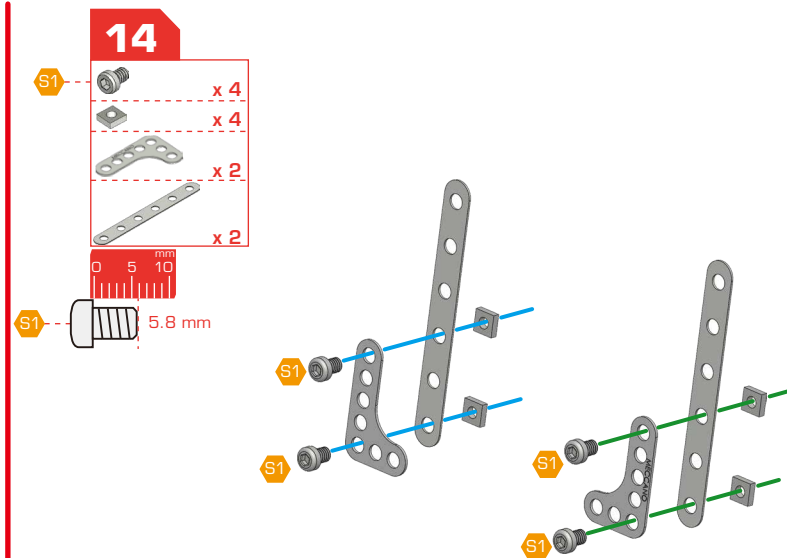
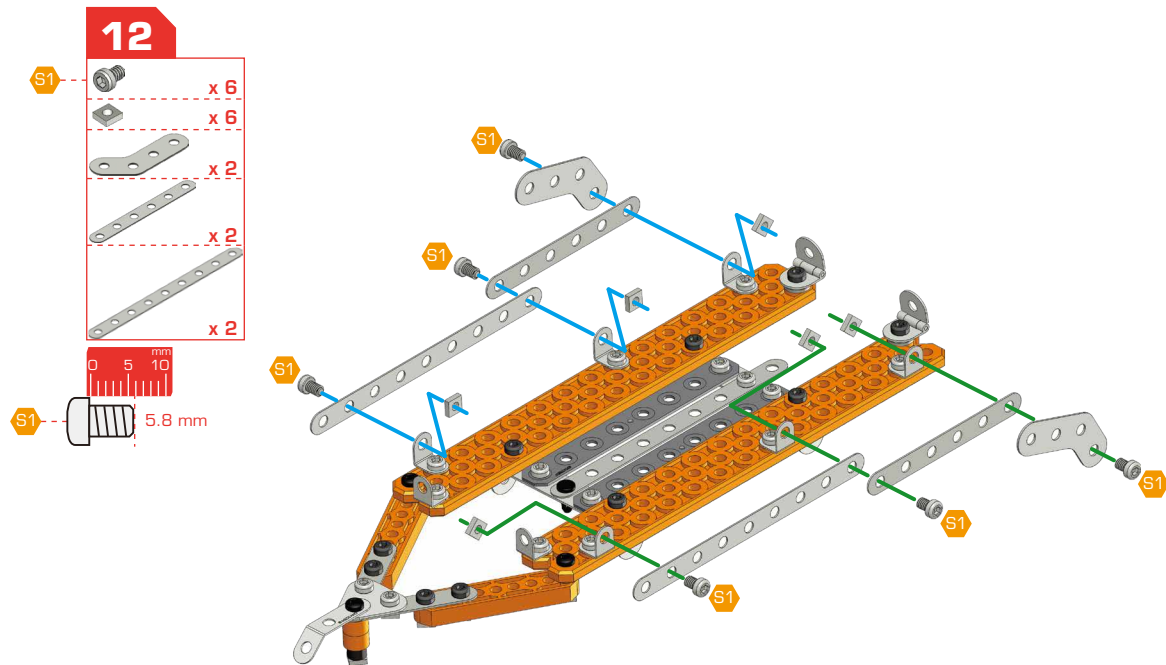


- 3**
- S1 x 1
 - x 1
 - x 1
 - x 1
- S1 5.8 mm





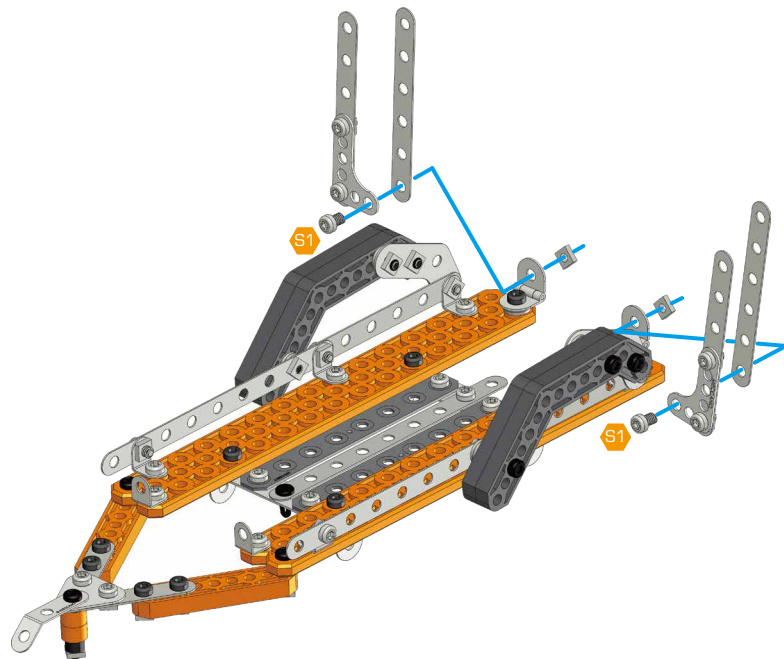




15 13+14

- x 2
- x 2
- x 2

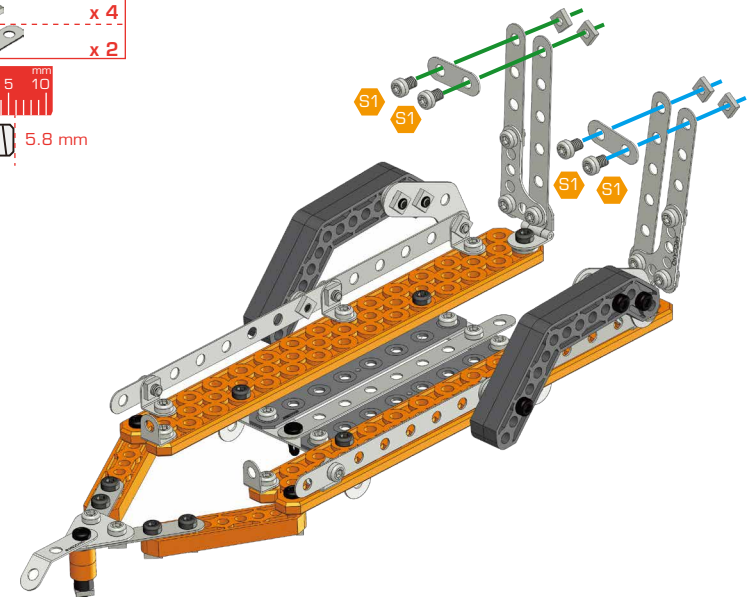
5.8 mm



16

- x 4
- x 4
- x 2

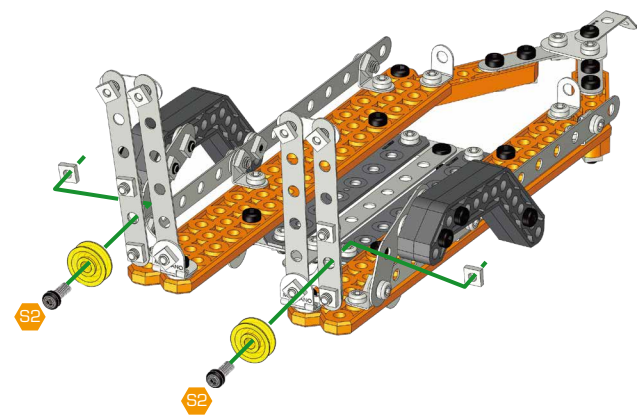
5.8 mm



17

- x 2
- x 2
- x 2

9.5 mm



18

- x 2

