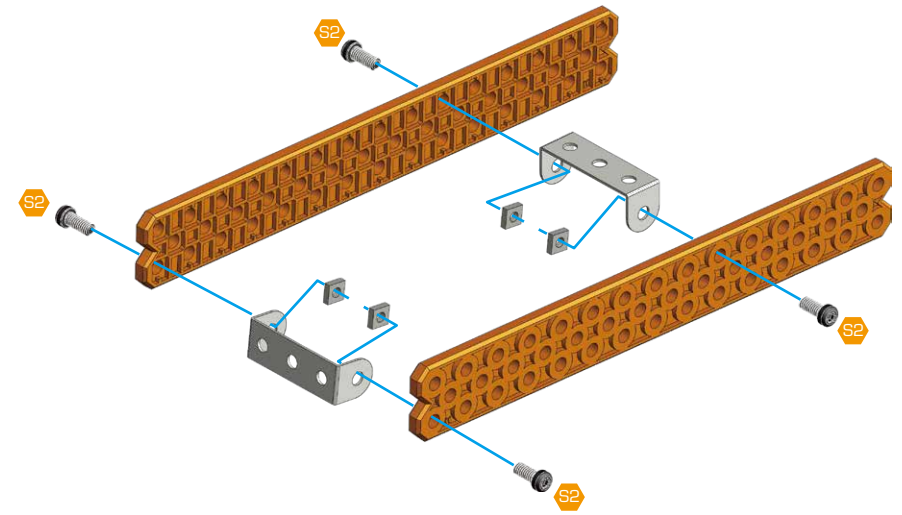




1

- x 4
- x 4
- x 2
- x 2

9.5 mm



2

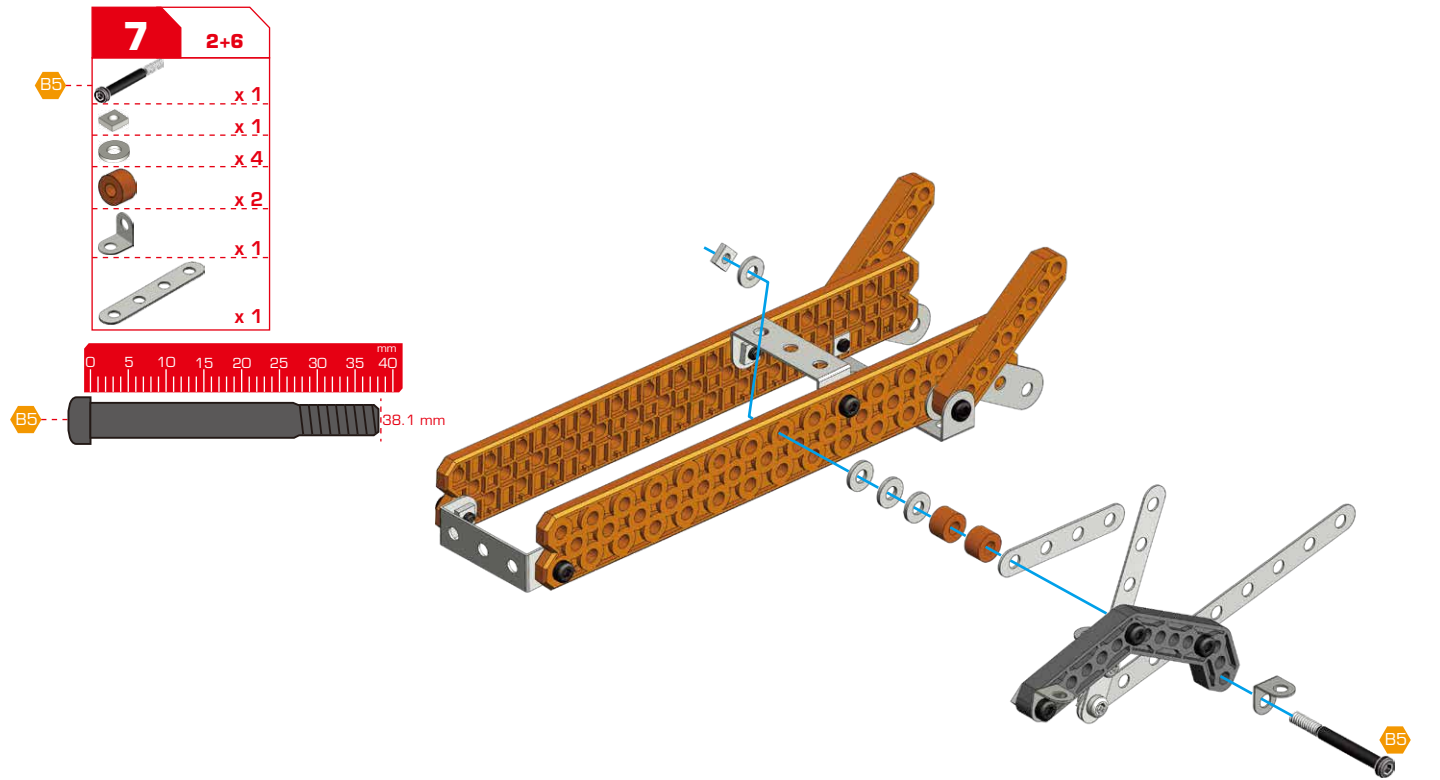
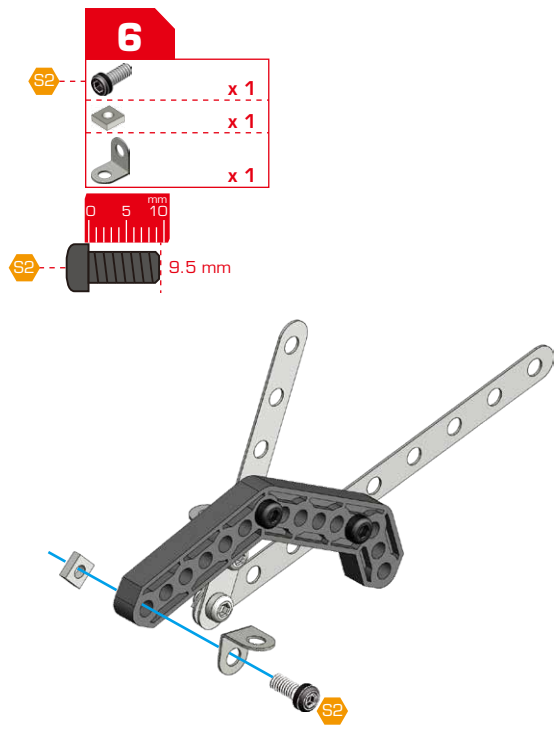
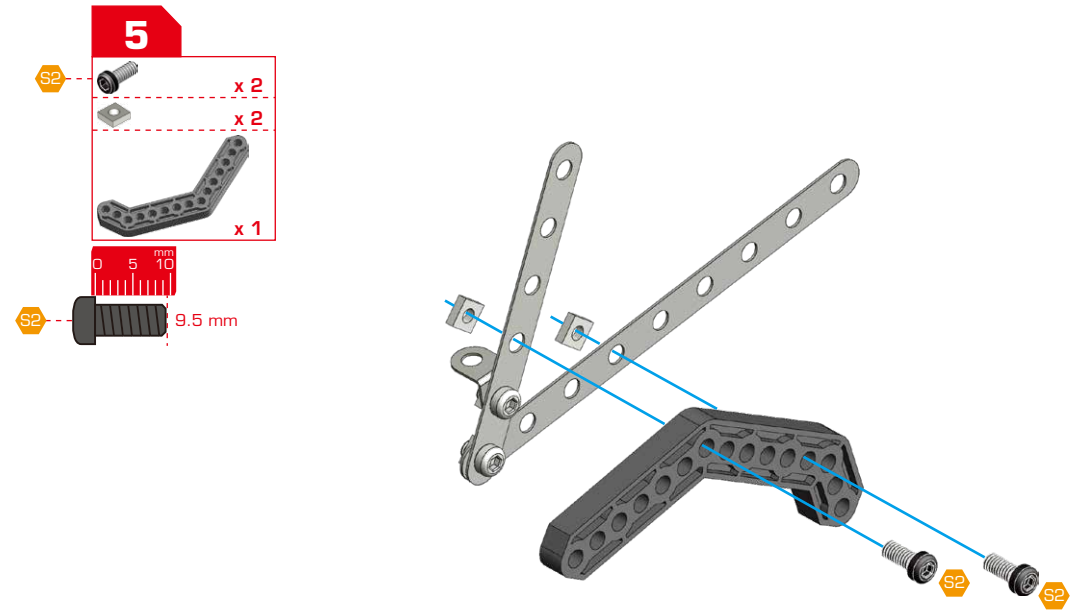
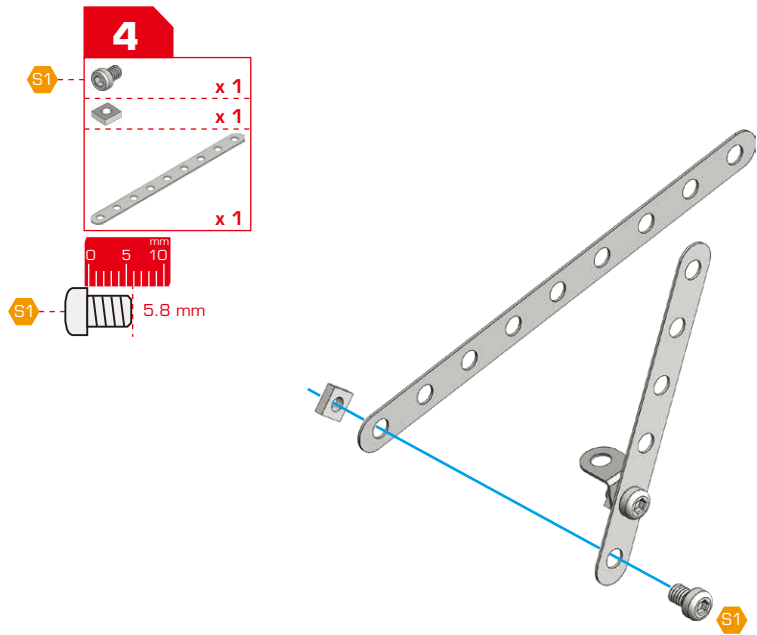
- x 2
- x 2
- x 2
- x 1
- x 2

14.7 mm

3

- x 1
- x 1
- x 1
- x 1

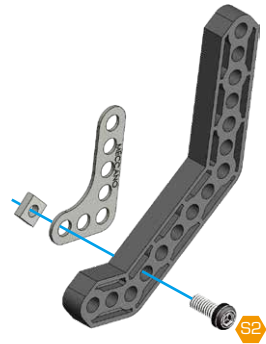
5.8 mm



8

- x 1
- x 1
- x 1
- x 1

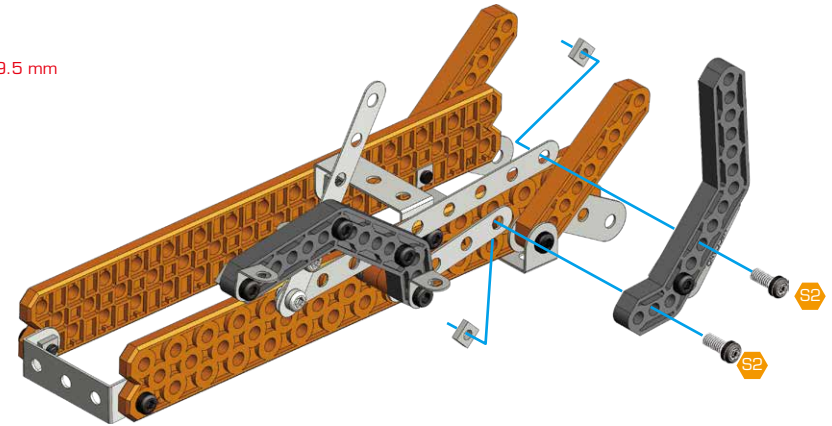
9.5 mm



9 **7+8**

- x 2
- x 2

9.5 mm

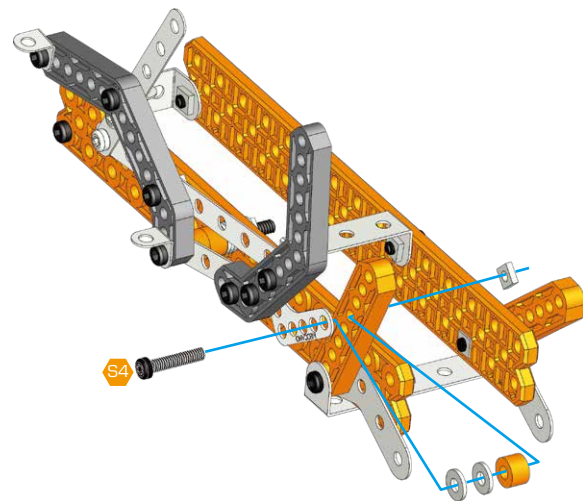


10

- x 1
- x 1
- x 1
- x 2

90°

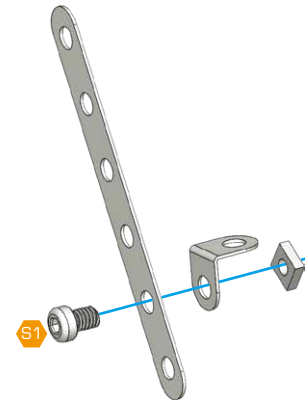
19 mm

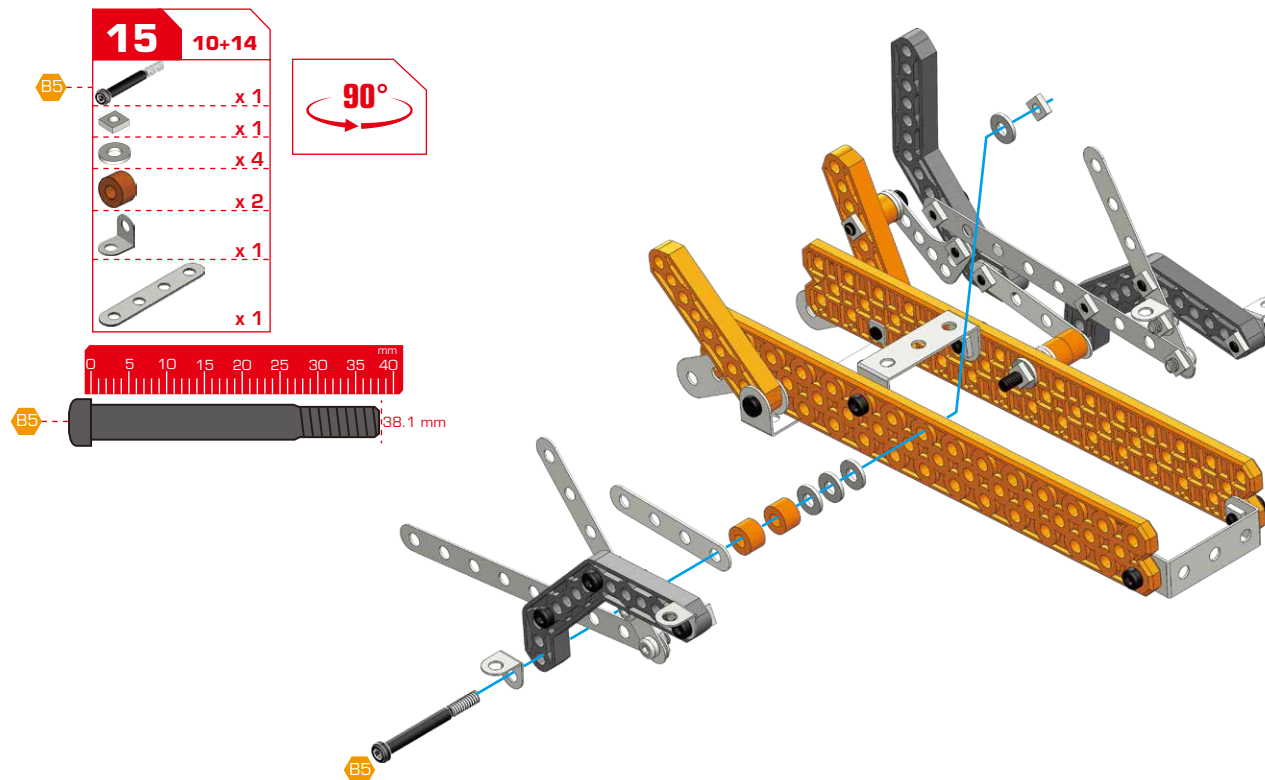
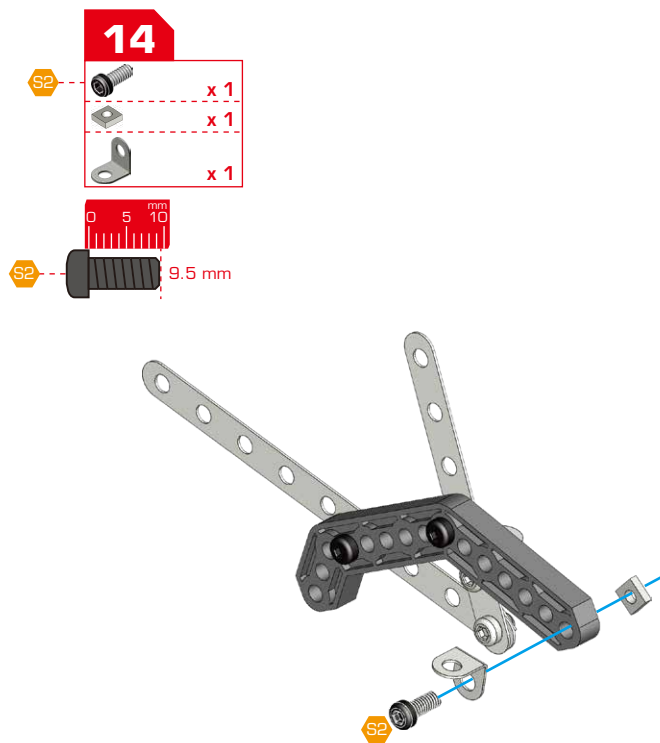
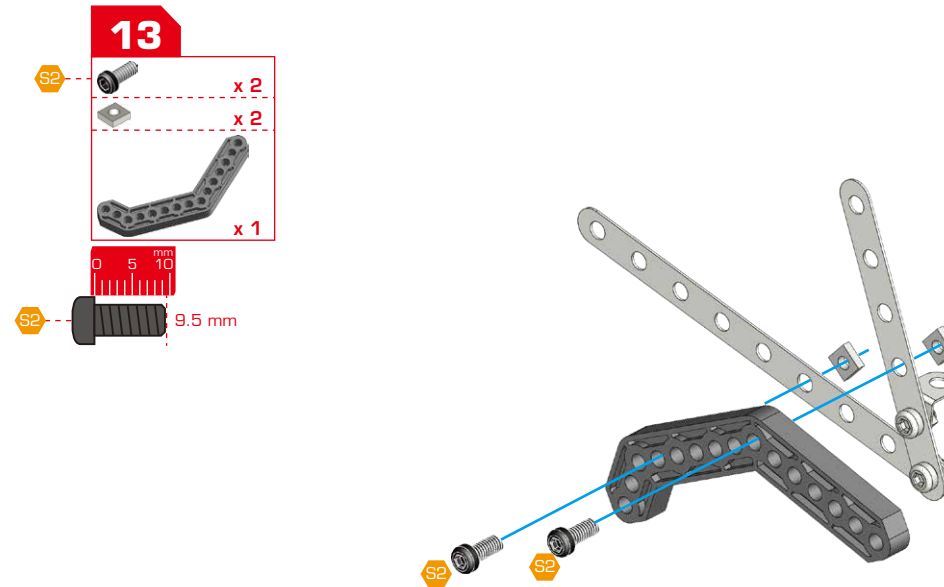
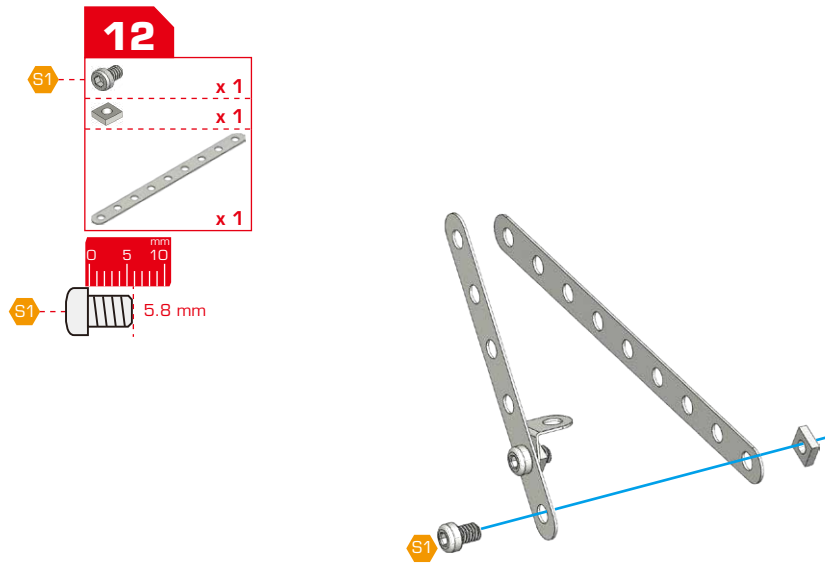


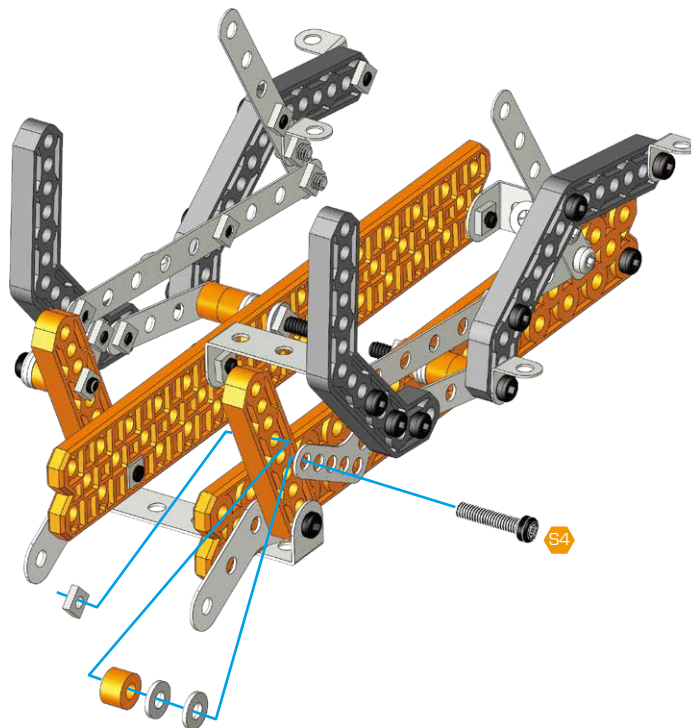
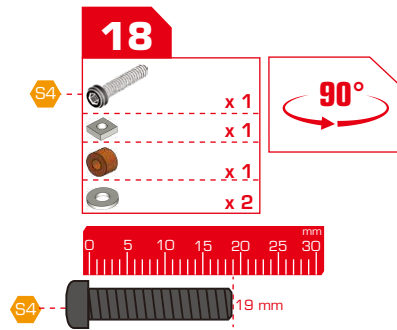
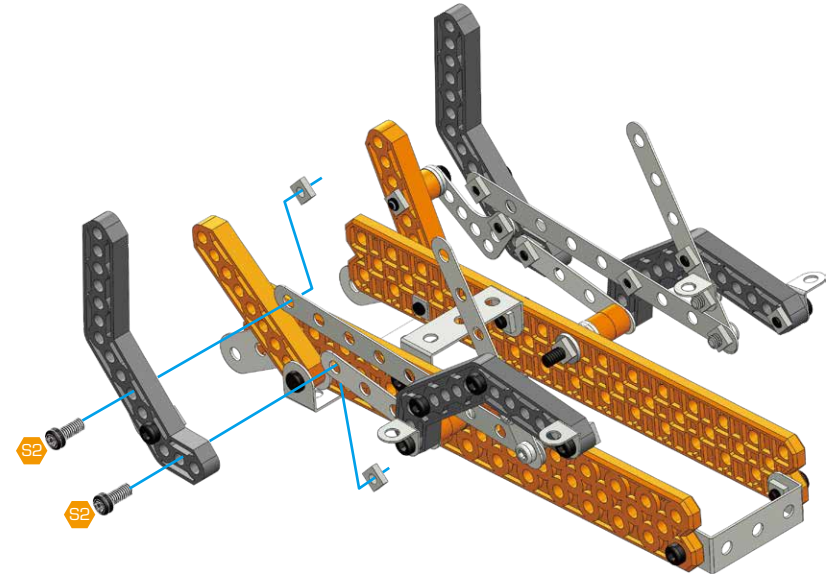
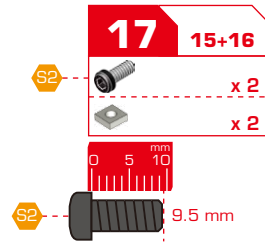
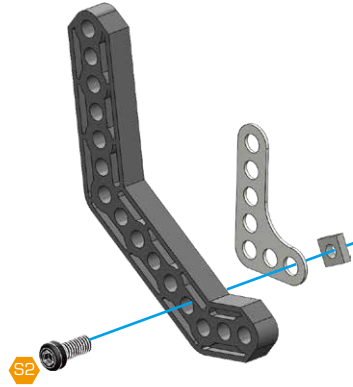
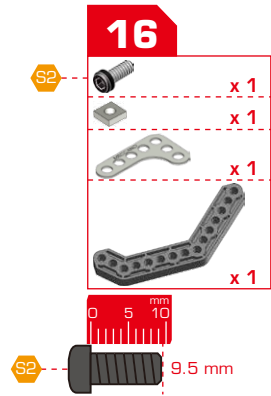
11

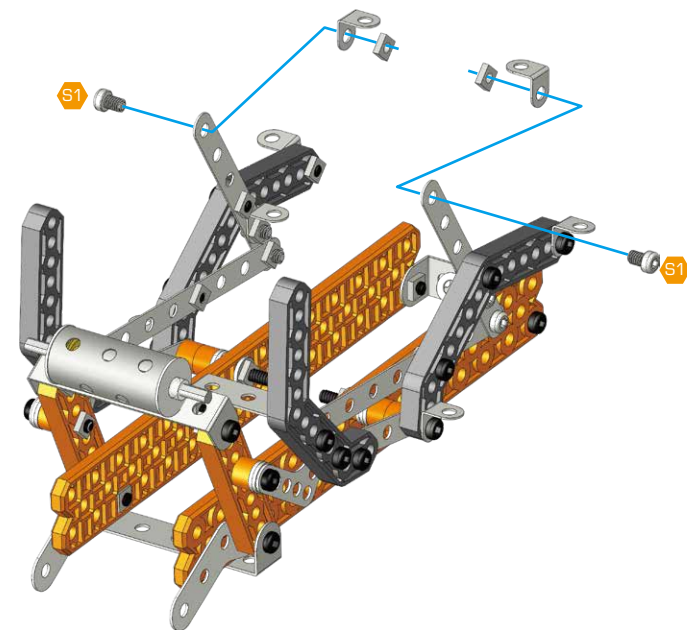
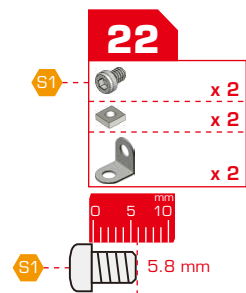
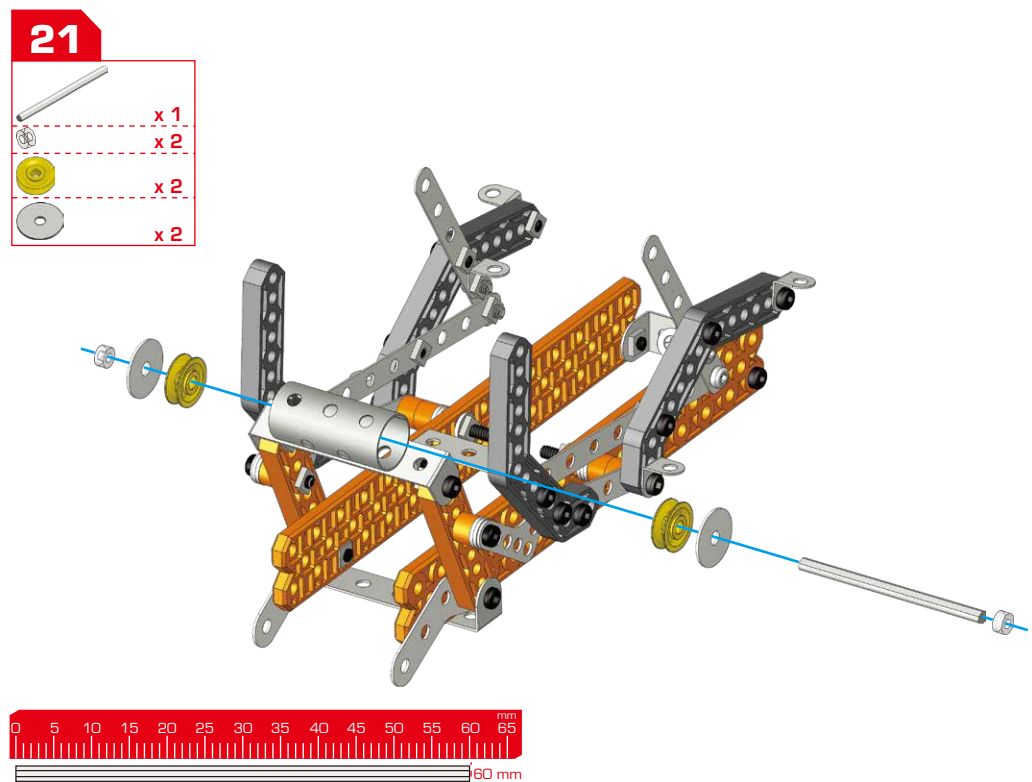
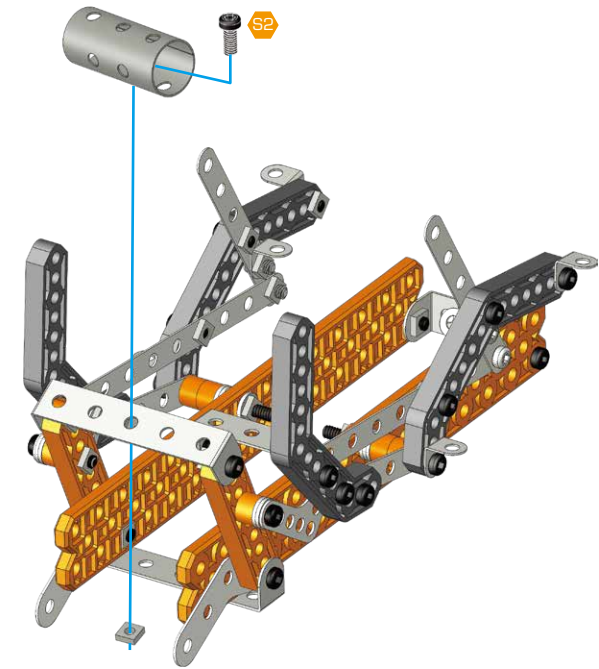
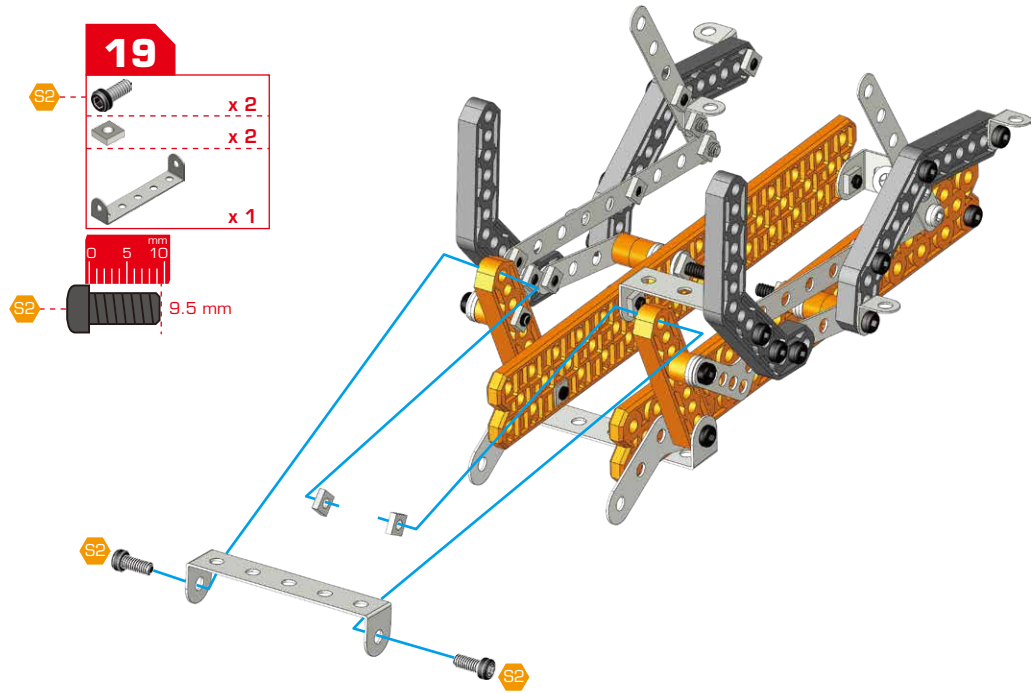
- x 1
- x 1
- x 1
- x 1

5.8 mm







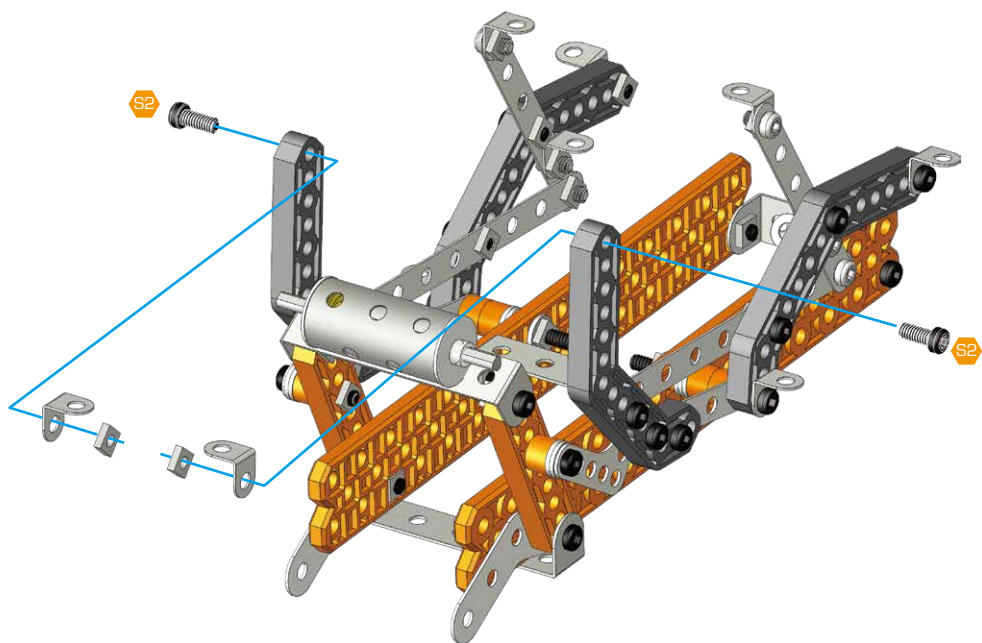


23

- S2 x 2
- x 2
- x 2



- S2 9.5 mm

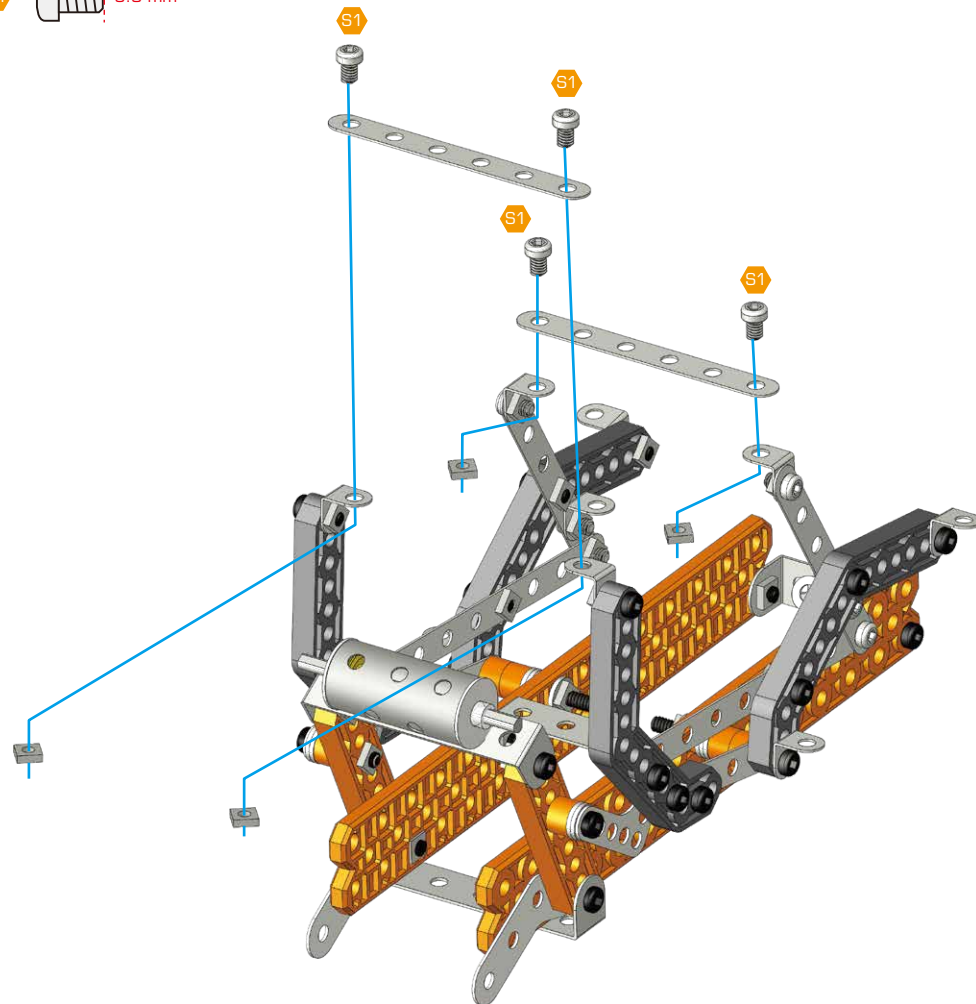


24




- S1 x 4
- x 4
- x 2



- S1 5.8 mm

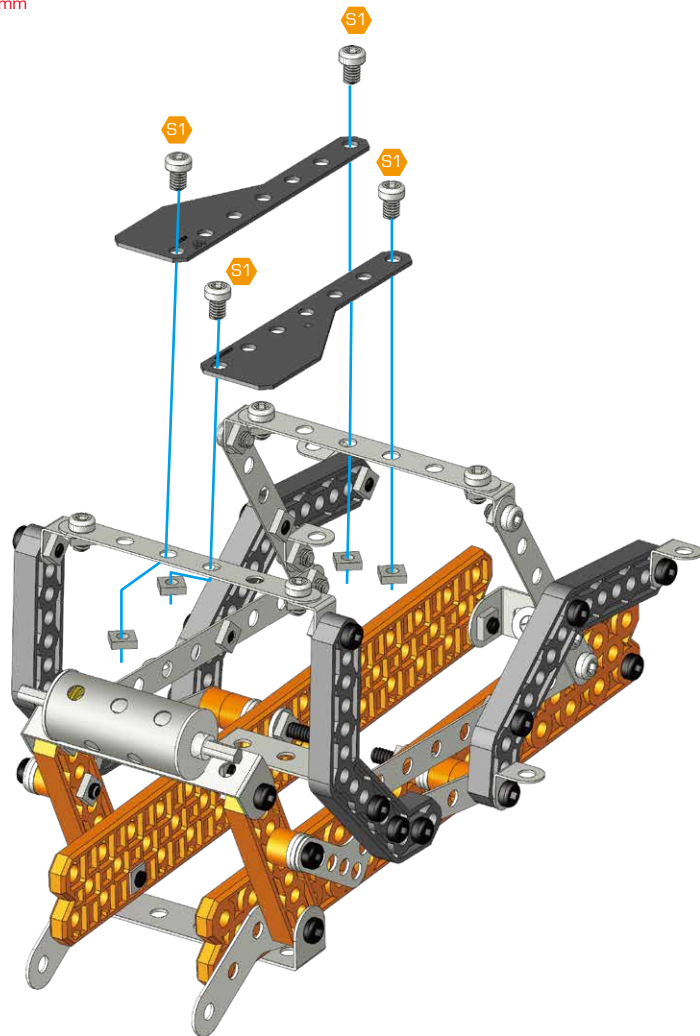


25




-  x 4
-  x 4
-  x 2



-  5.8 mm

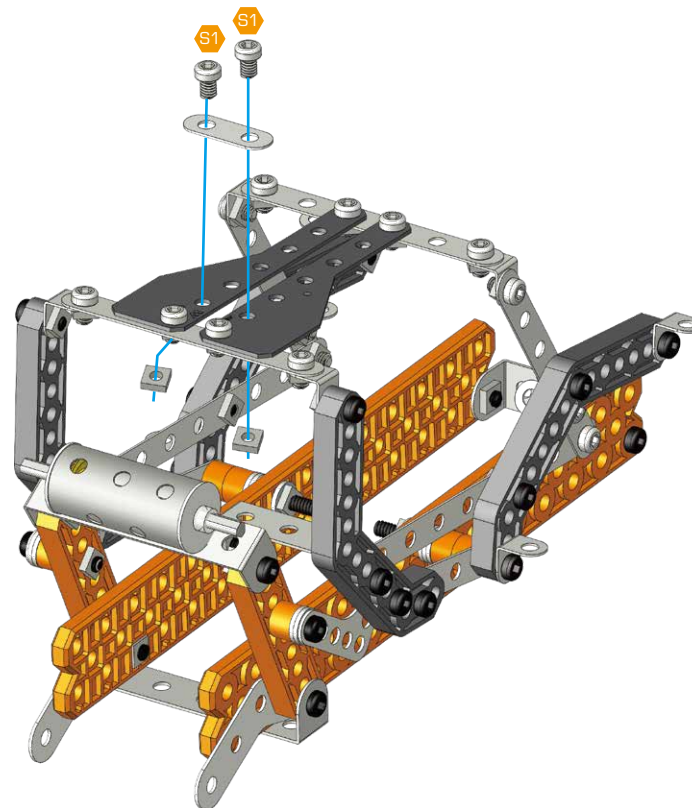


26

-  x 2
-  x 2
-  x 1



-  5.8 mm

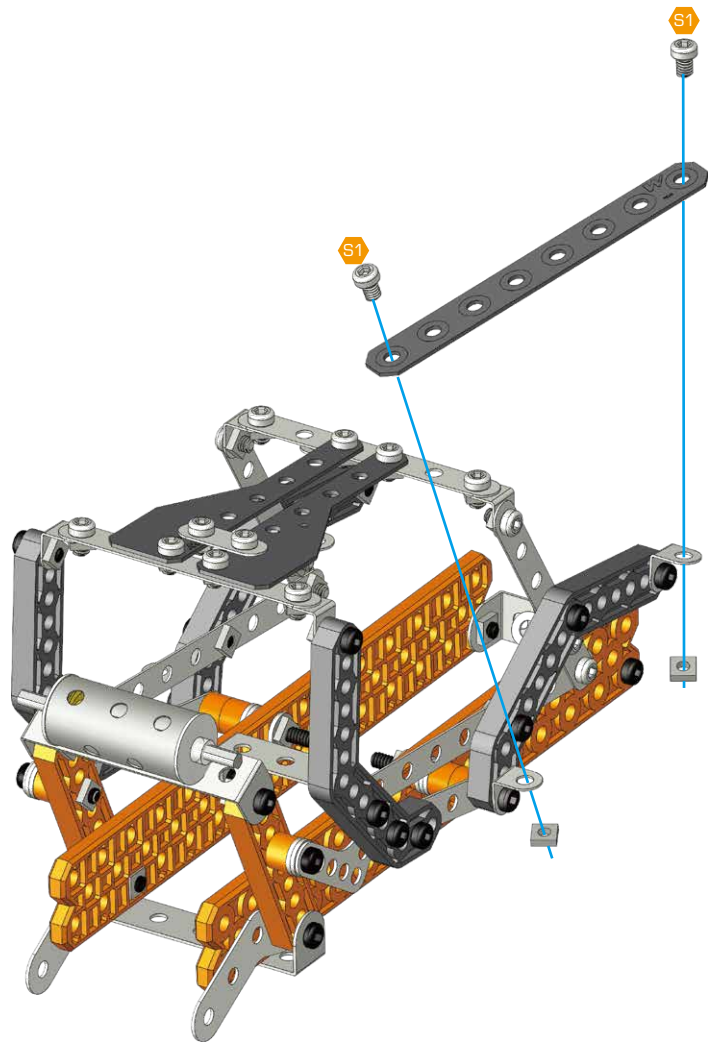


27

- S1 x 2
- x 2
- x 1



- S1 5.8 mm

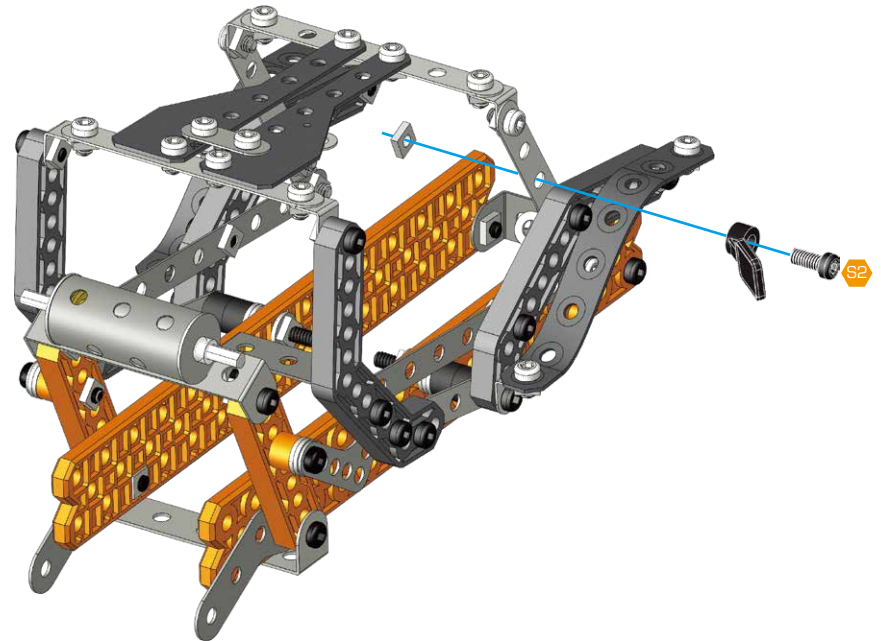


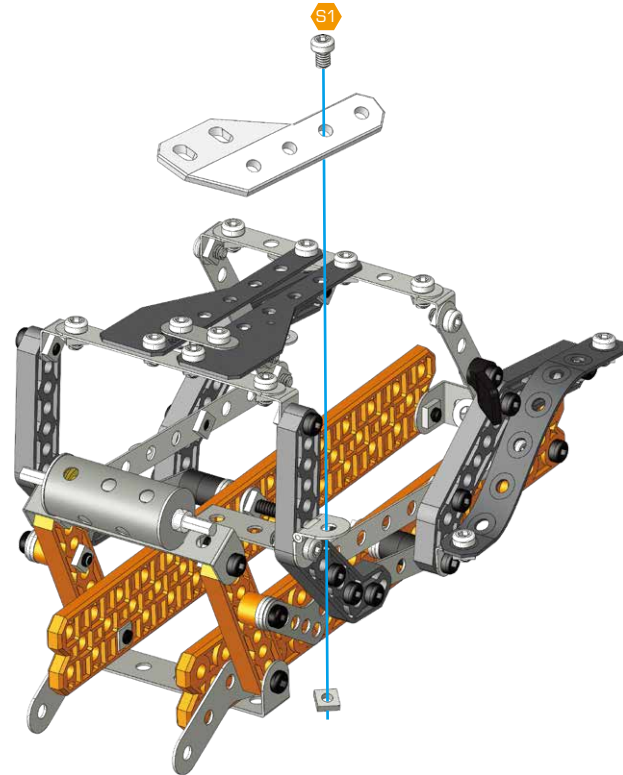
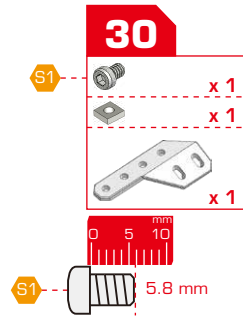
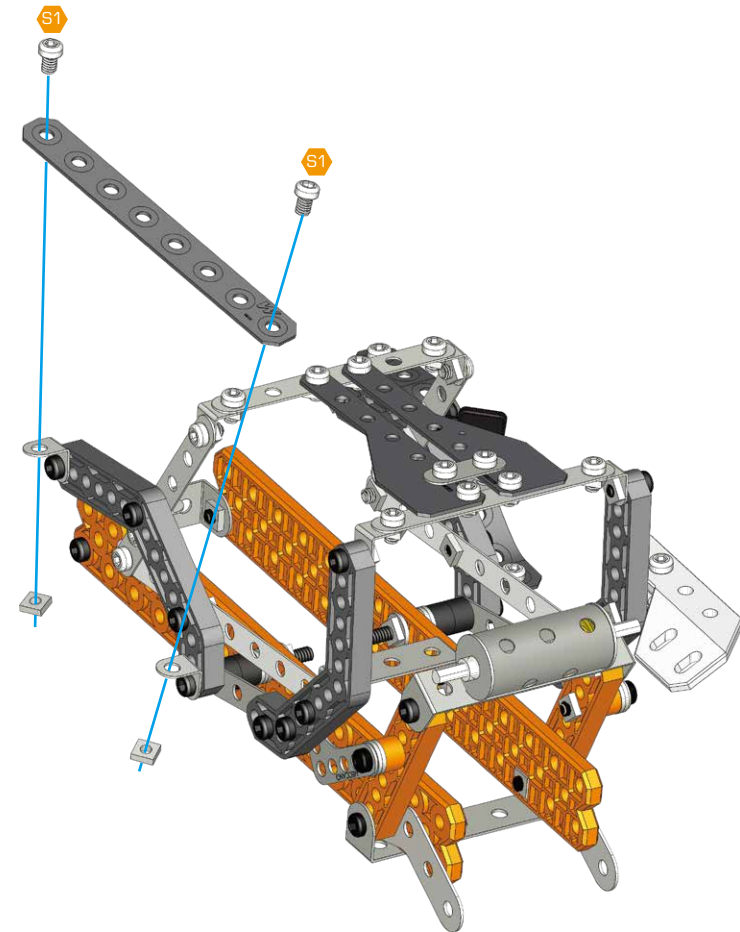
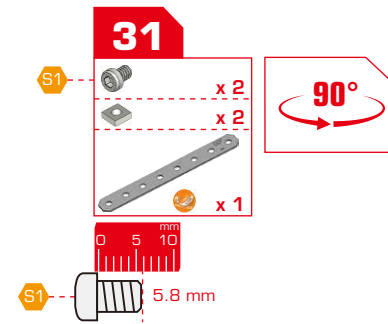
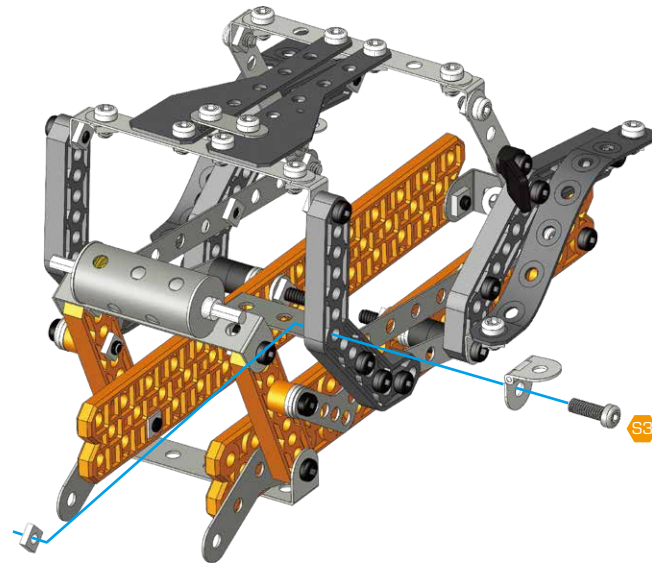
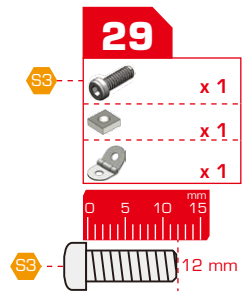
28

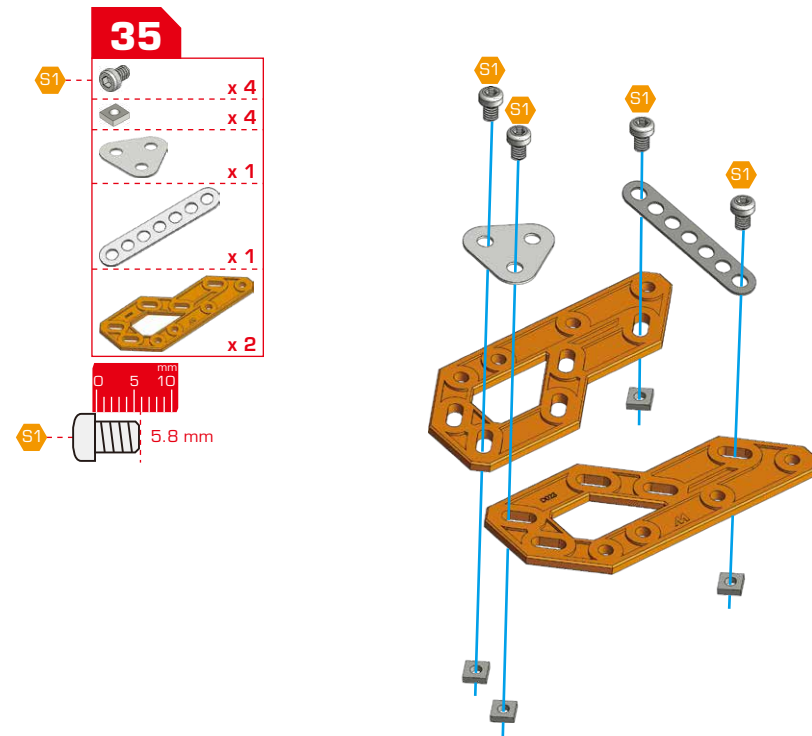
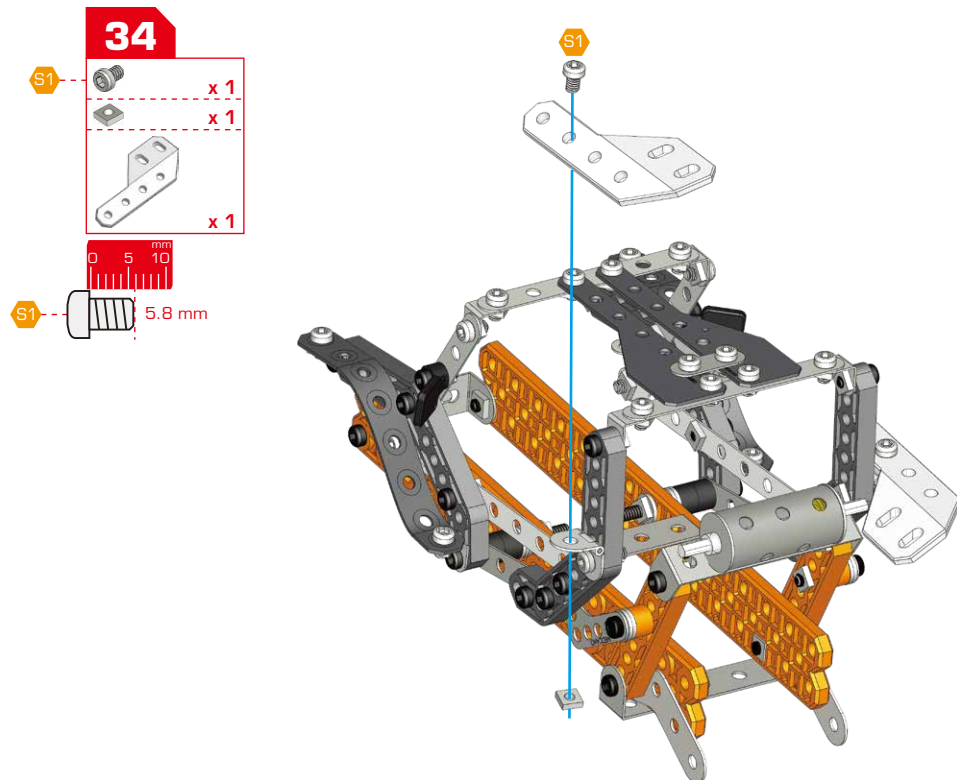
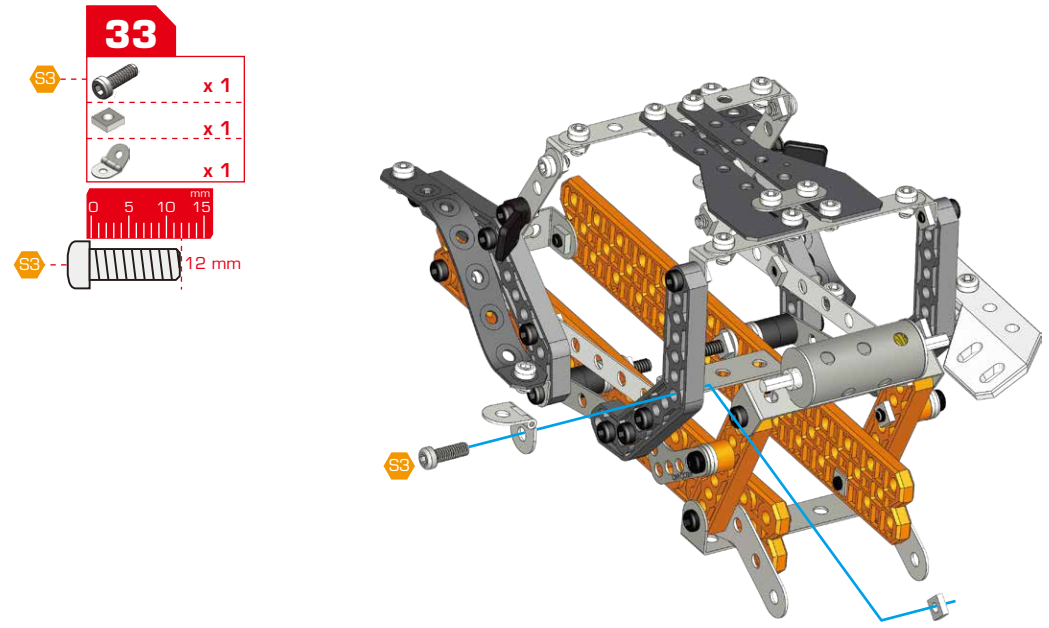
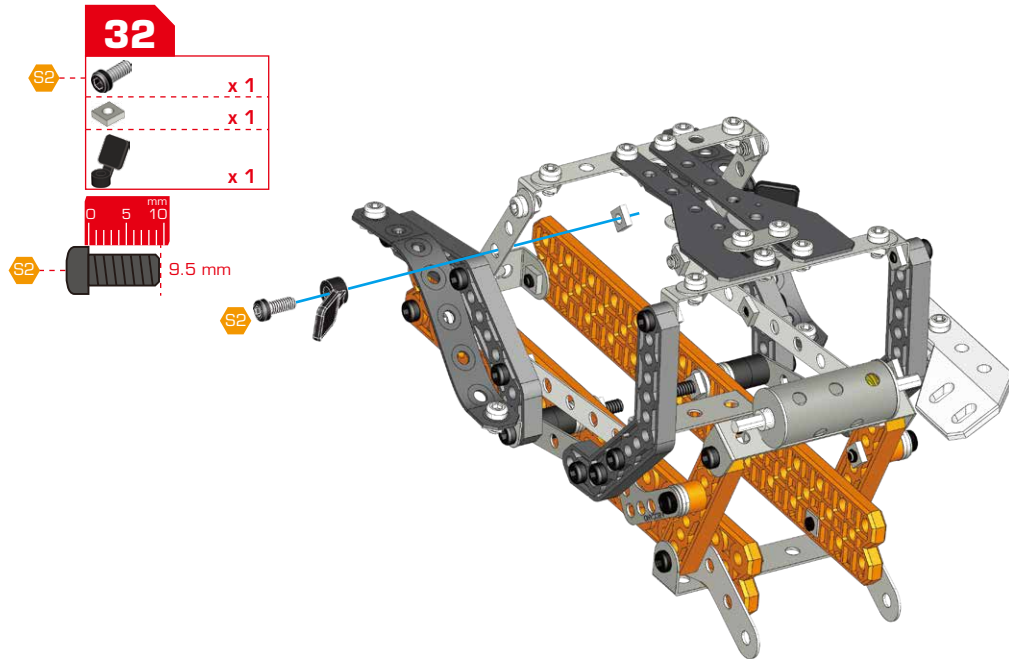
- S2 x 1
- x 1
- x 1

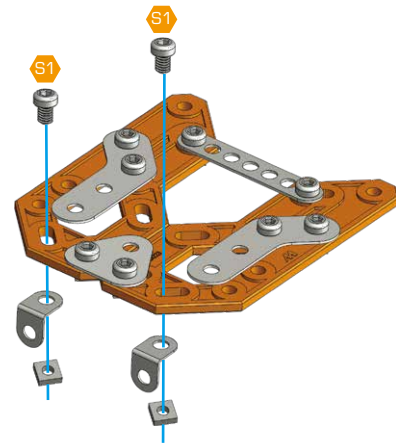
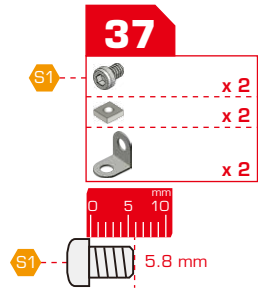
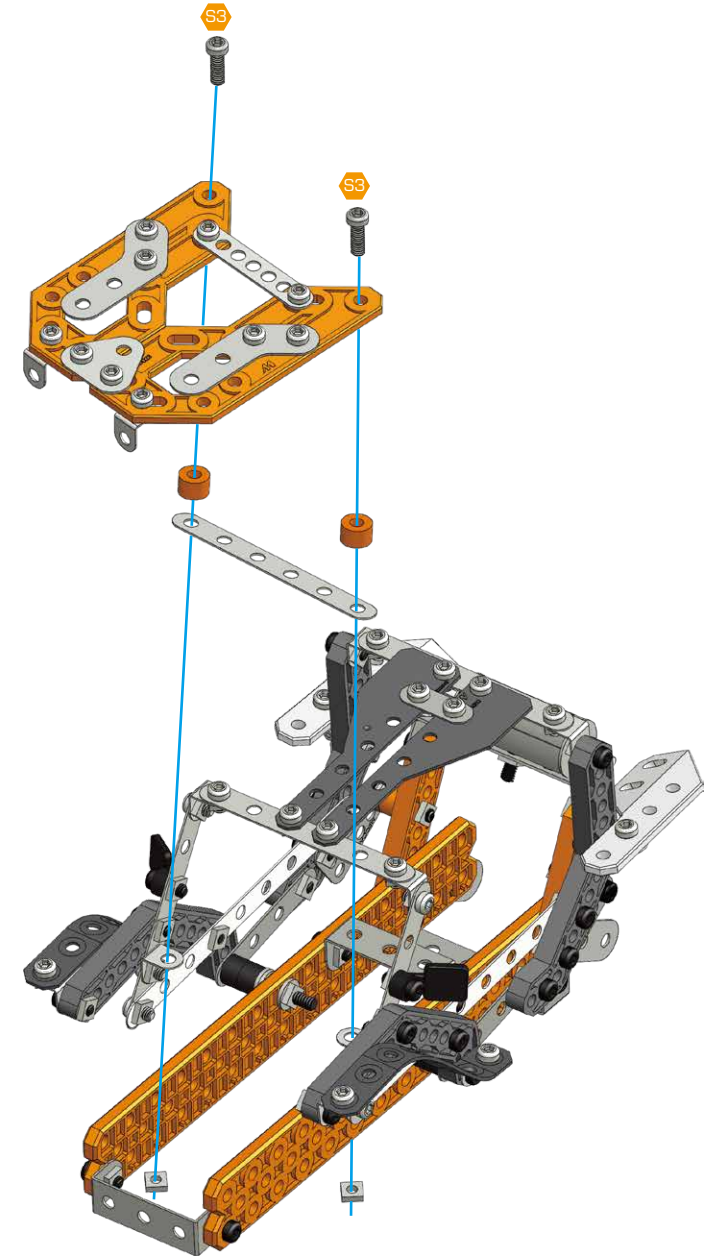
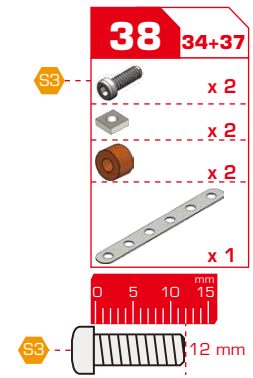
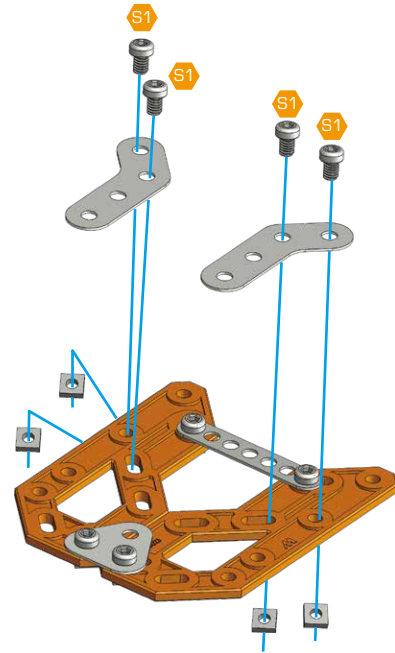
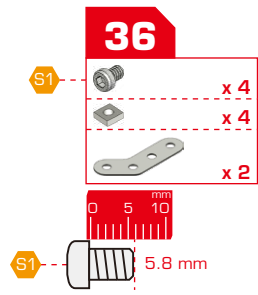


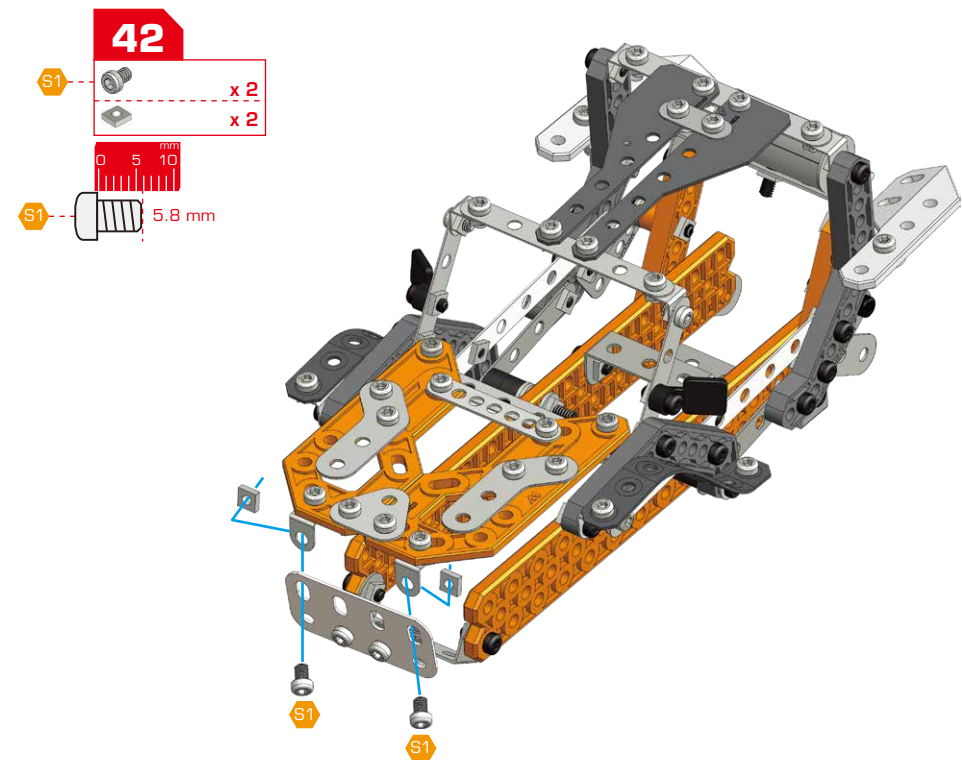
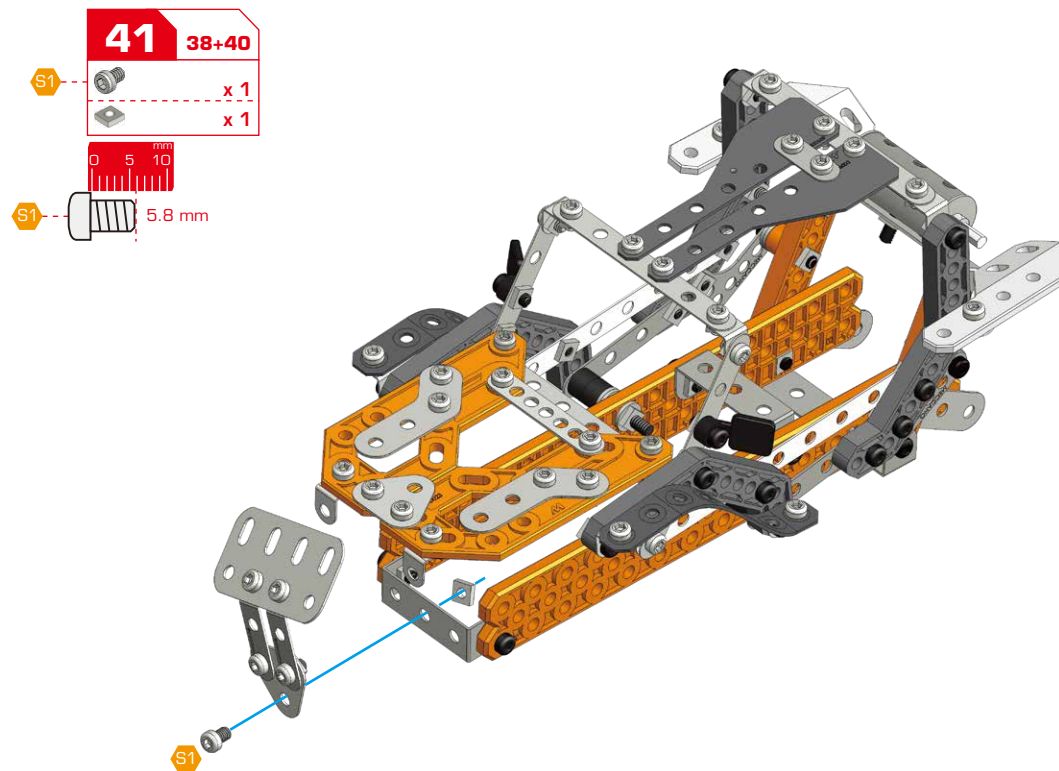
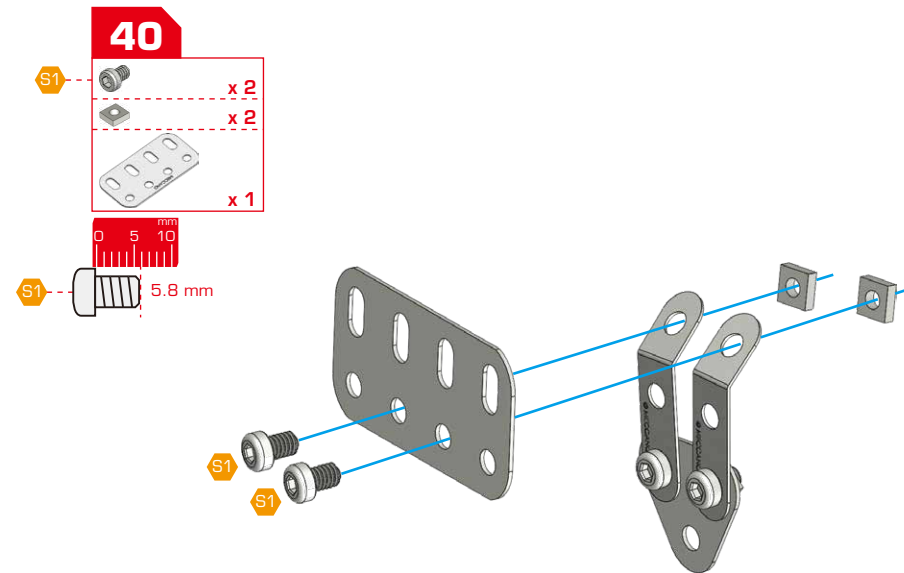
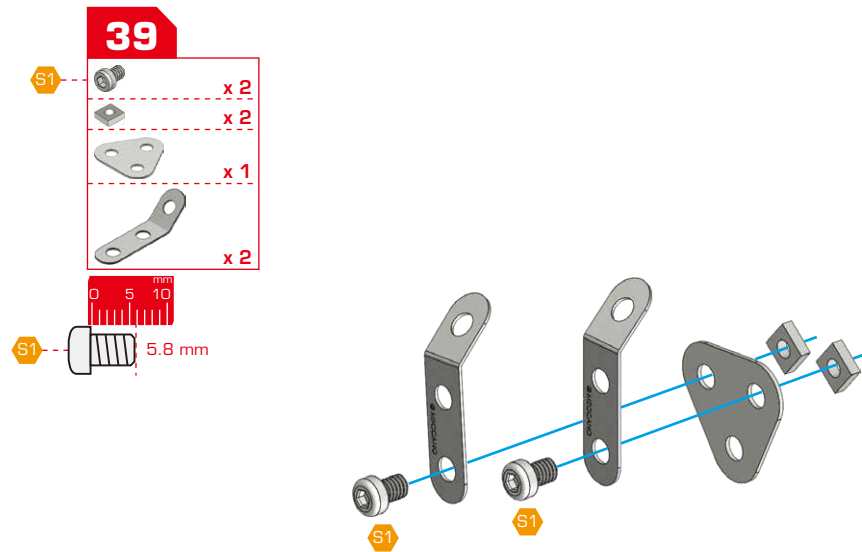
- S2 9.5 mm

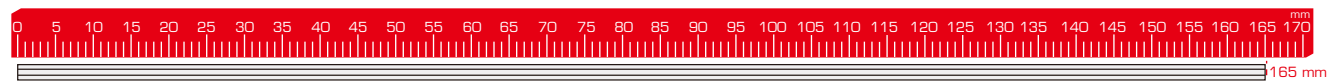
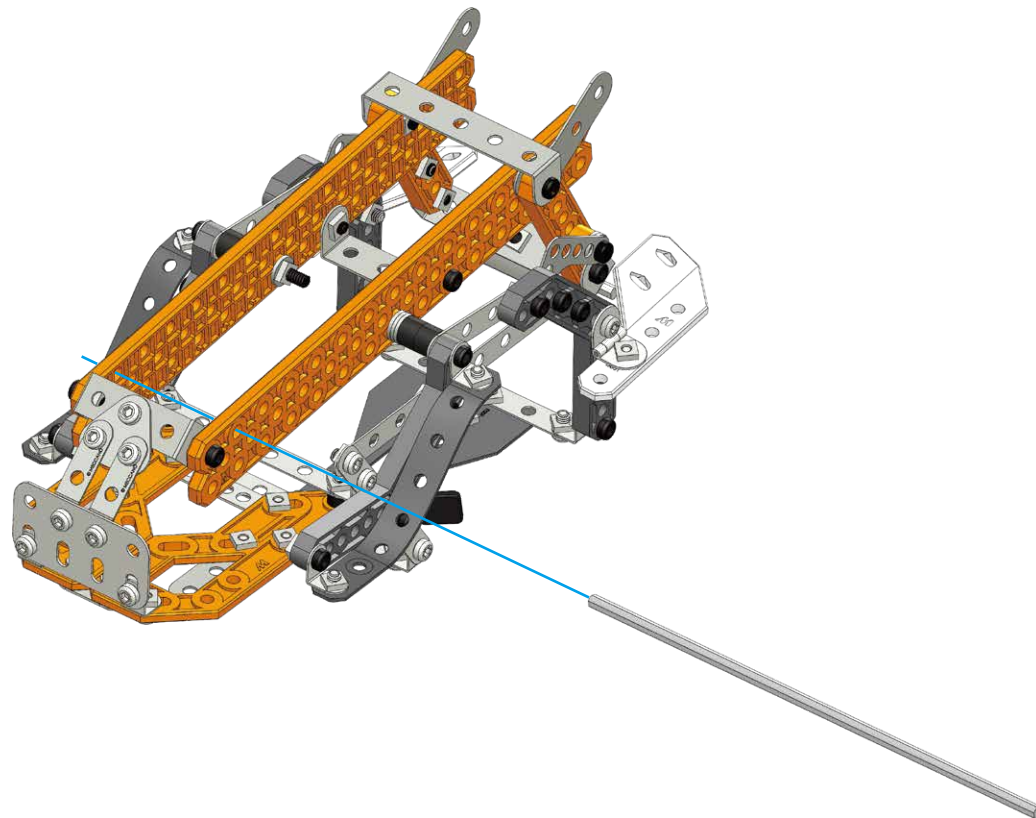
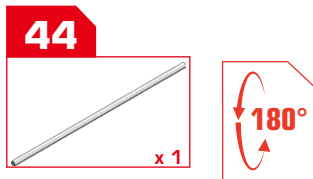
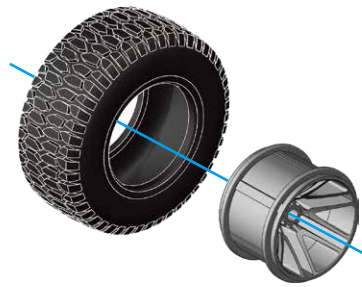





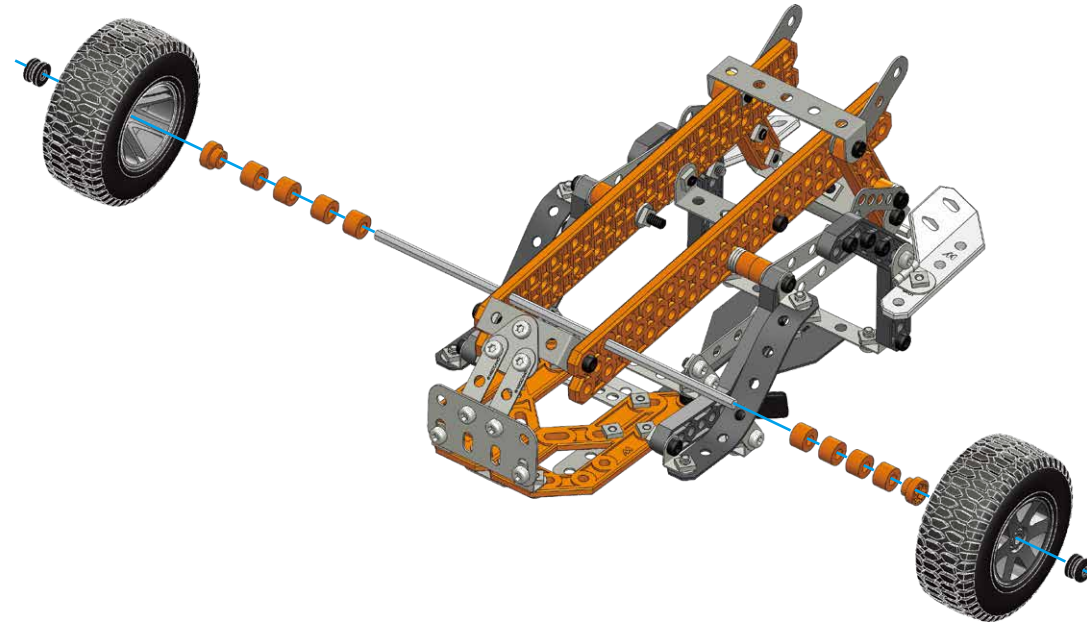





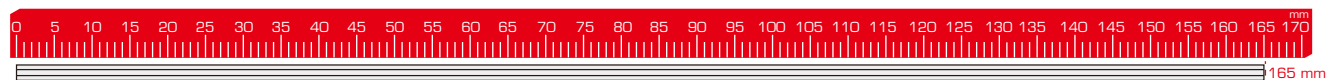
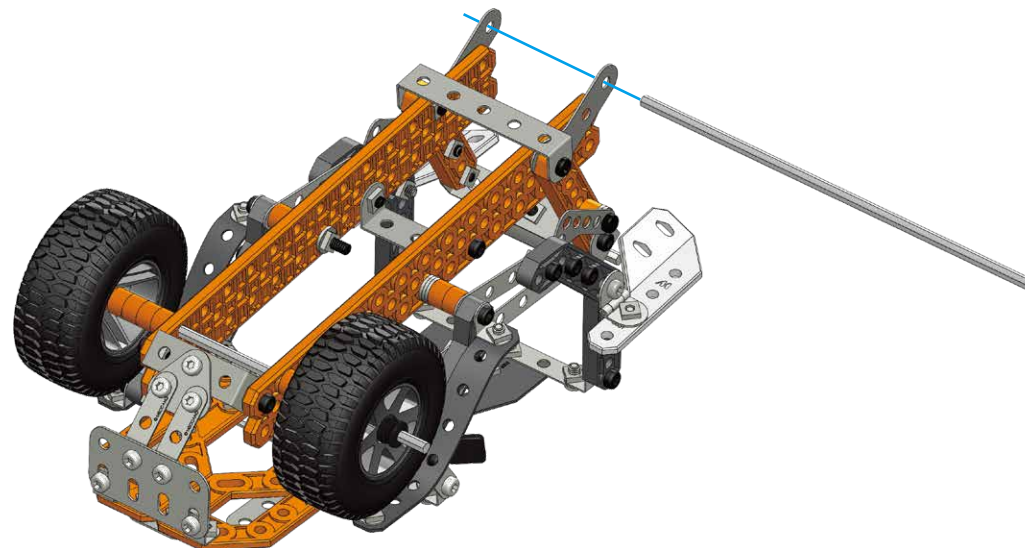







45	43+44
	x 2
	x 8
	x 2



46	
	x 1



47	43+46
	x 2
	x 8
	x 2

