




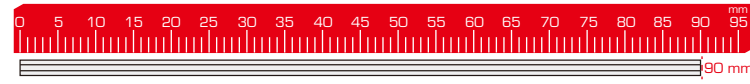
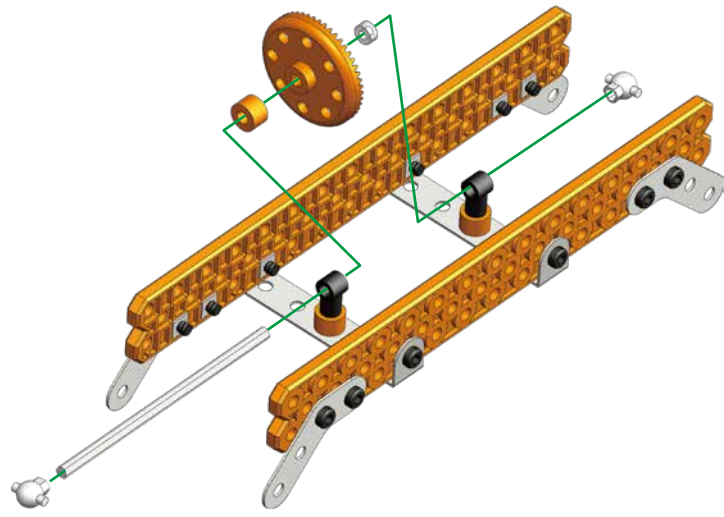










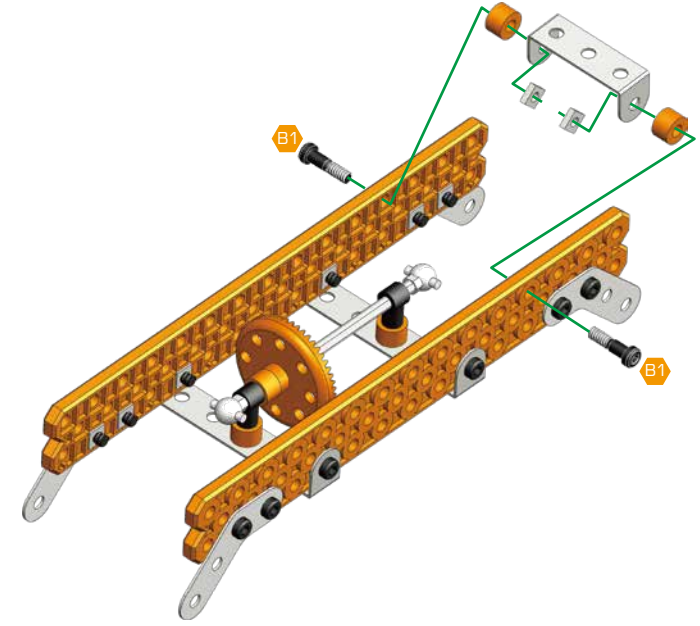
**4**

-  x 1
-  x 1
-  x 2
-  x 1
-  x 1






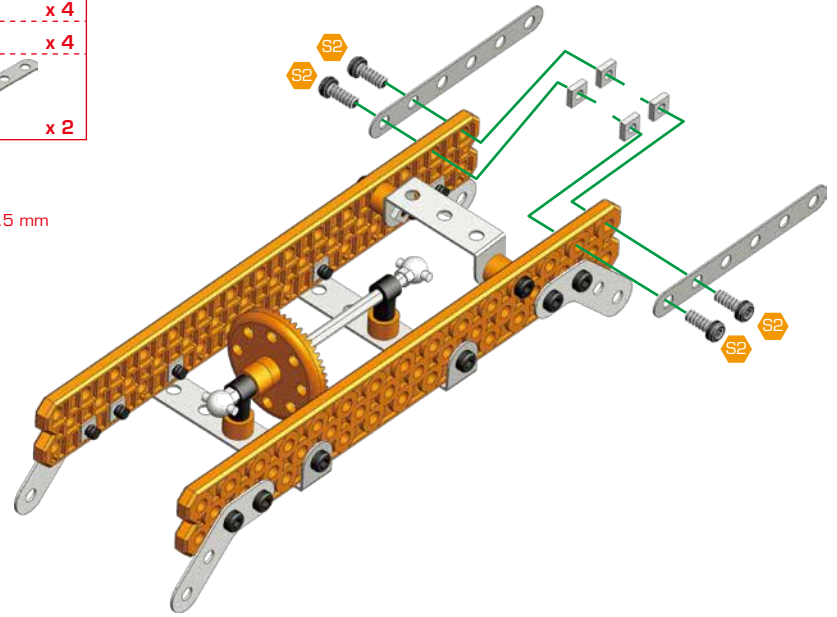
**5**

-  B1 x 2
-  x 2
-  x 2
-  x 1
-  x 1
-  x 1
-  x 1
-  x 1






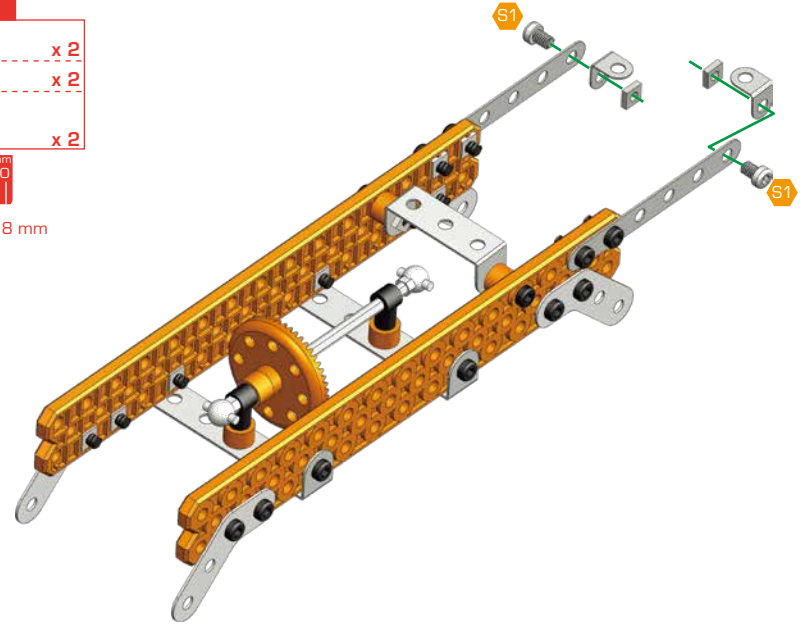
**6**

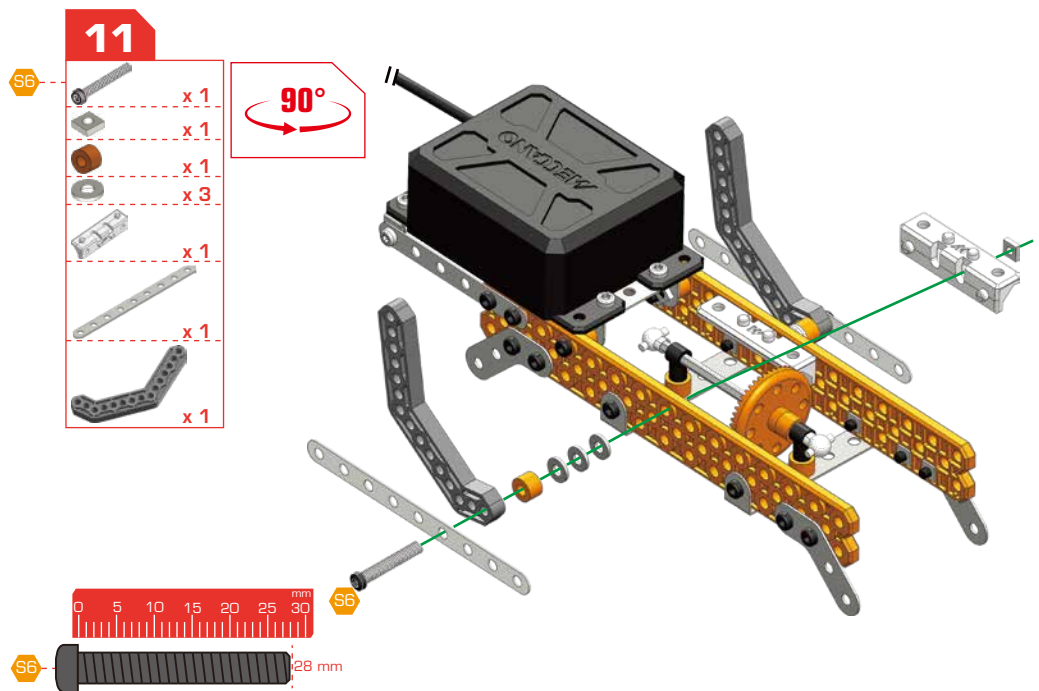
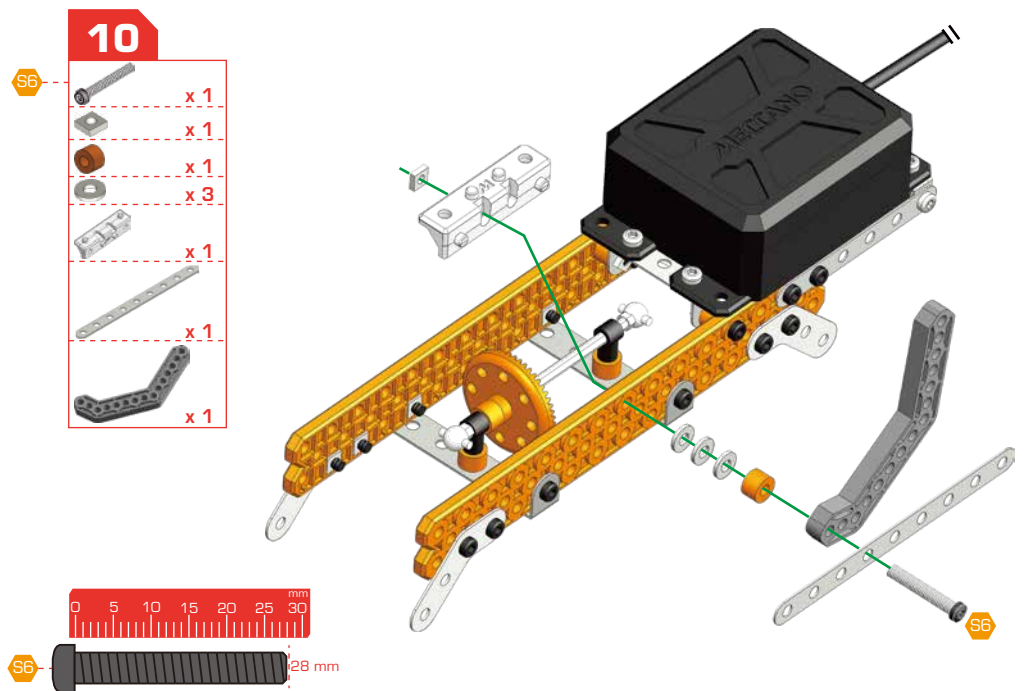
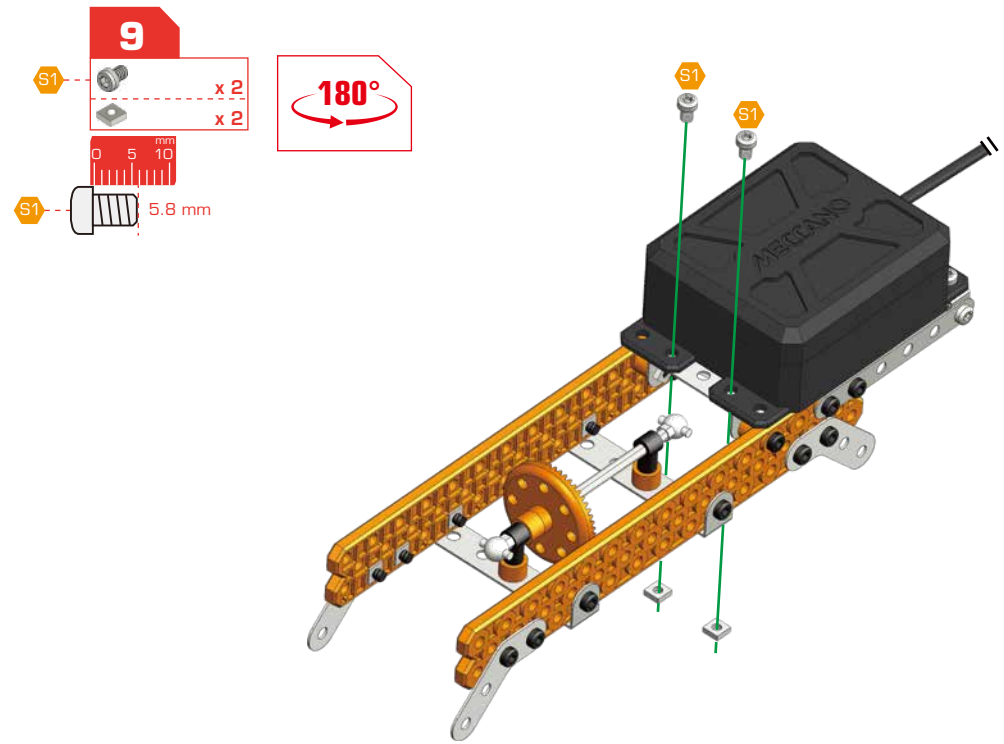
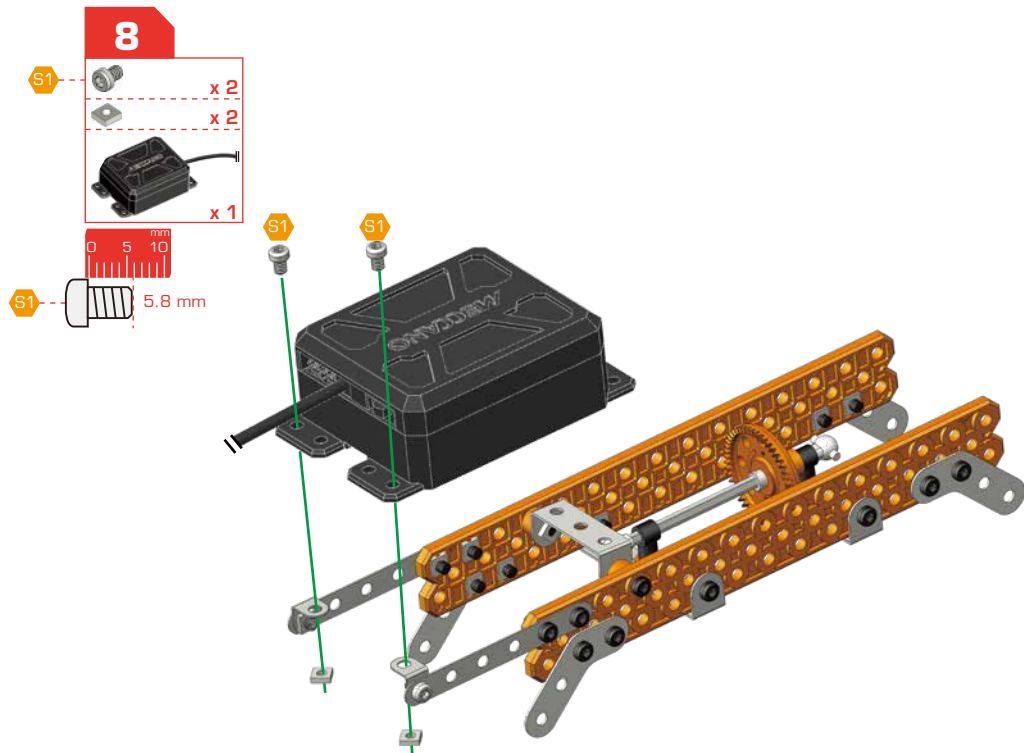
-  S2 x 4
-  x 4
-  x 2



**7**

-  S1 x 2
-  x 2
-  x 2

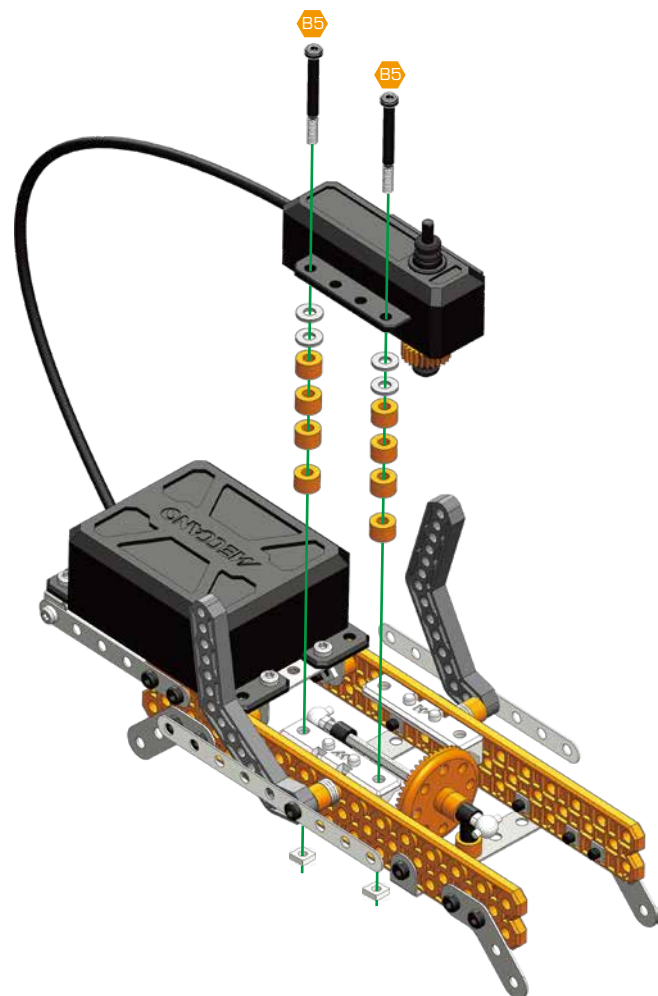
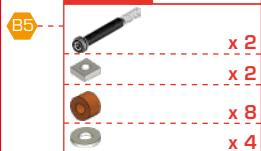




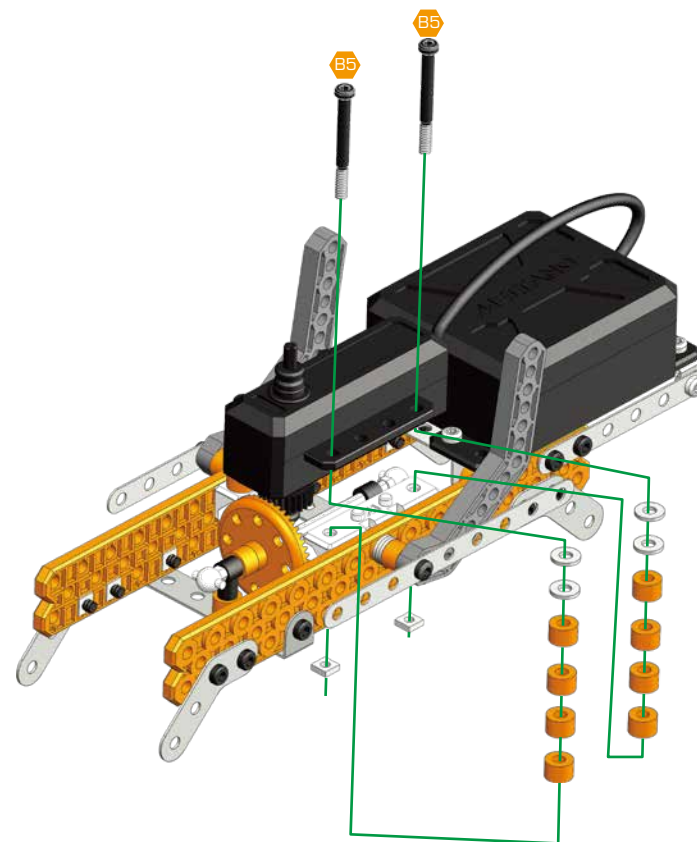
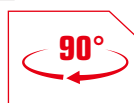
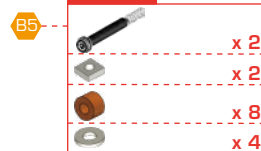
12

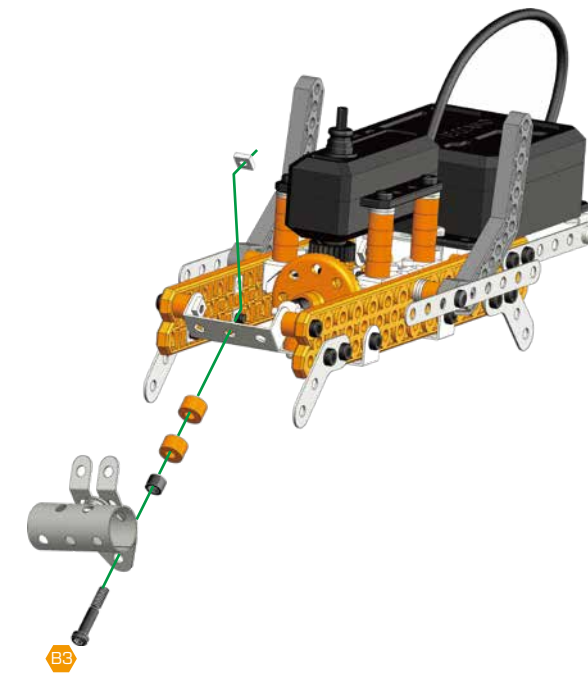
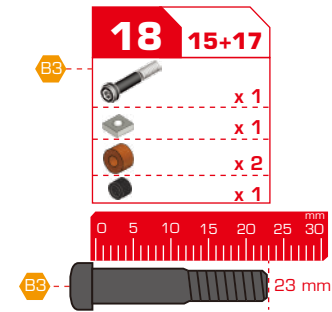
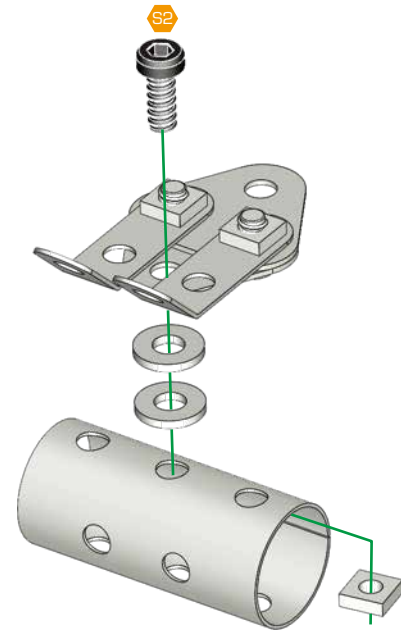
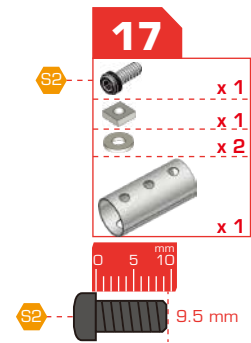
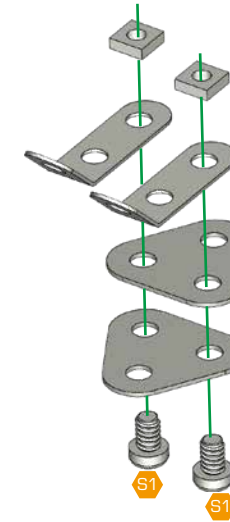
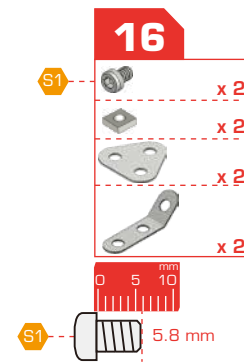
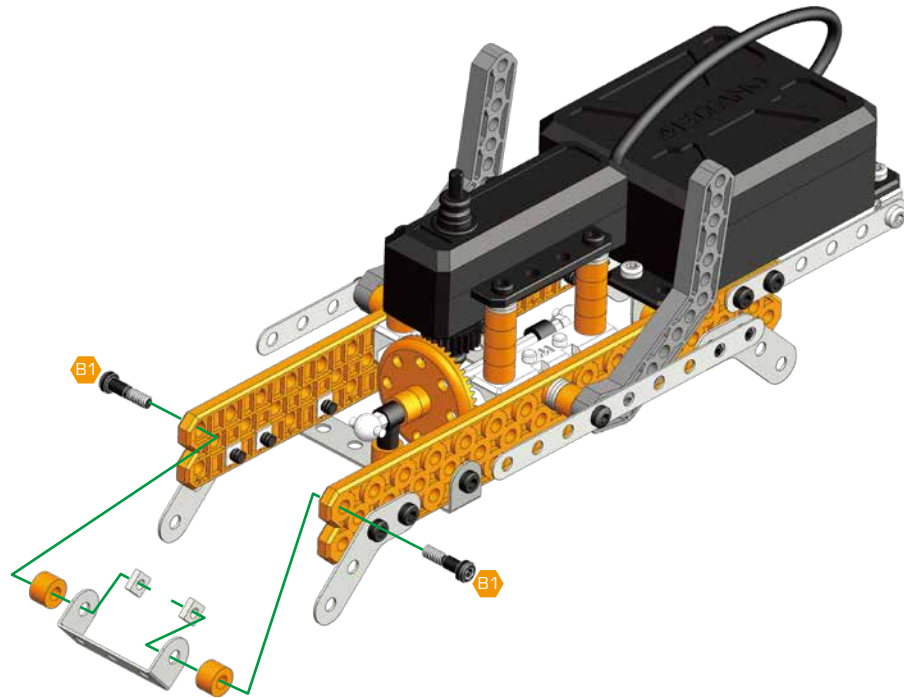
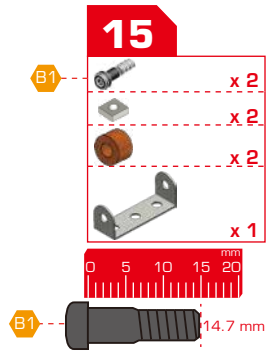


13 11+12











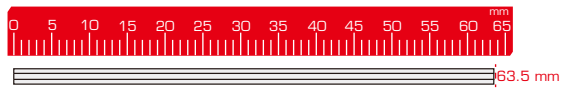
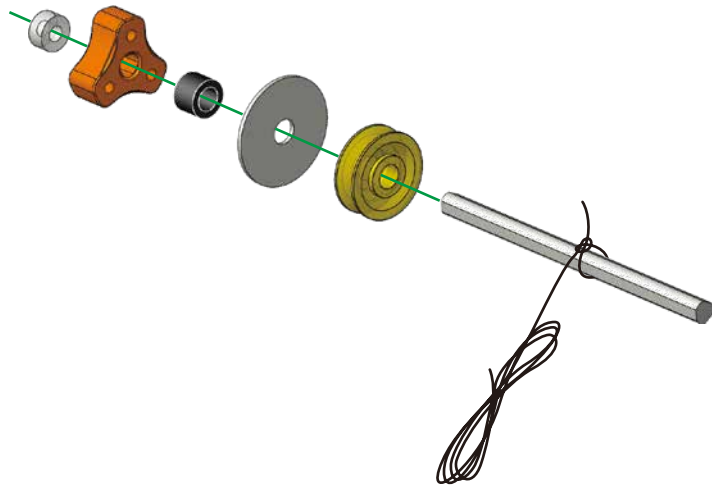
14



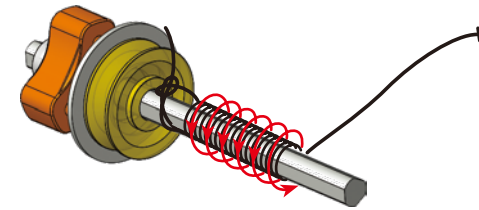


19




-  x 1
-  x 1
-  x 1
-  x 1
-  x 1
-  x 1
-  x 1
-  x 1

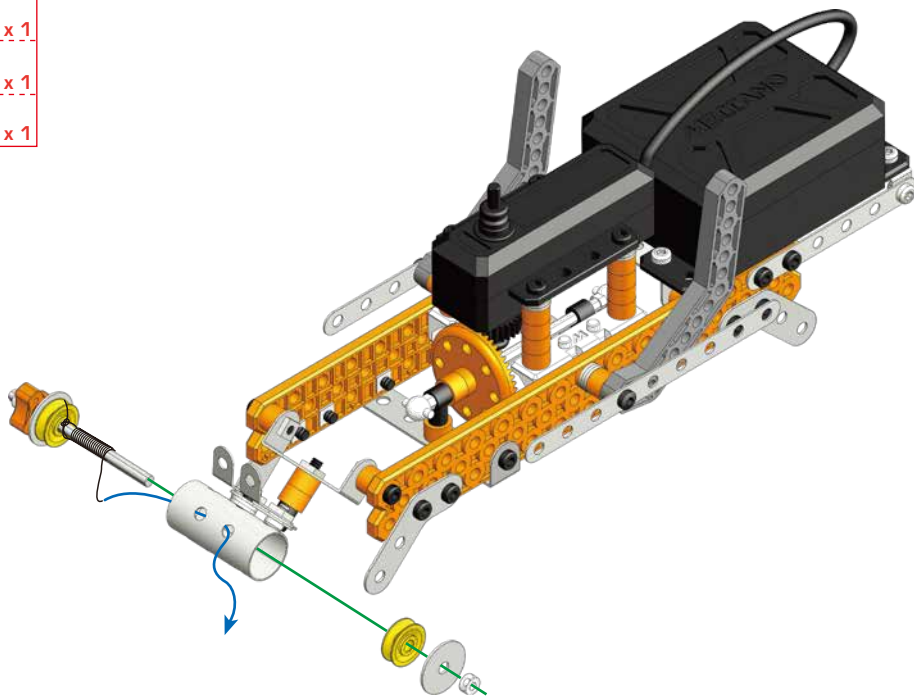


20



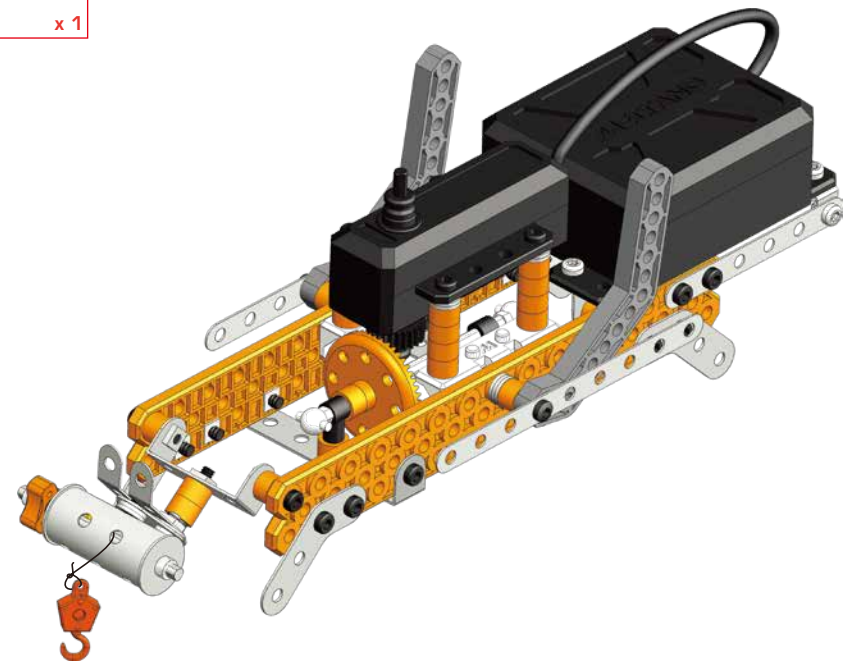
21 18+20

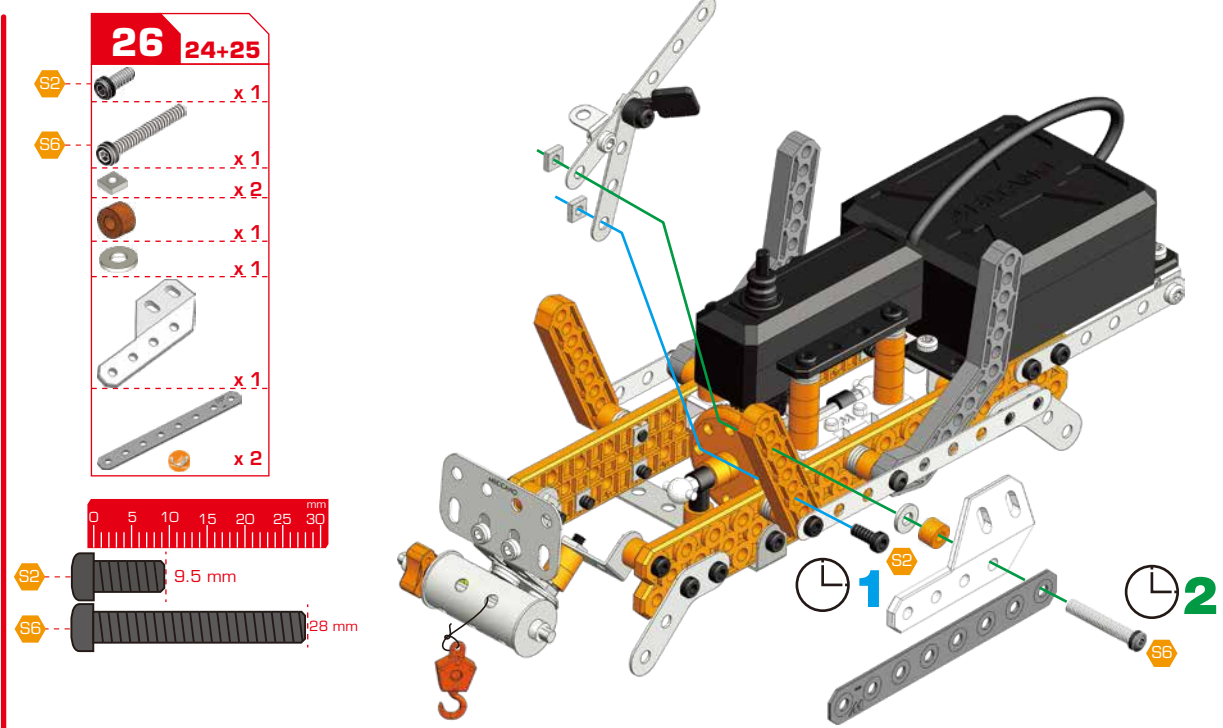
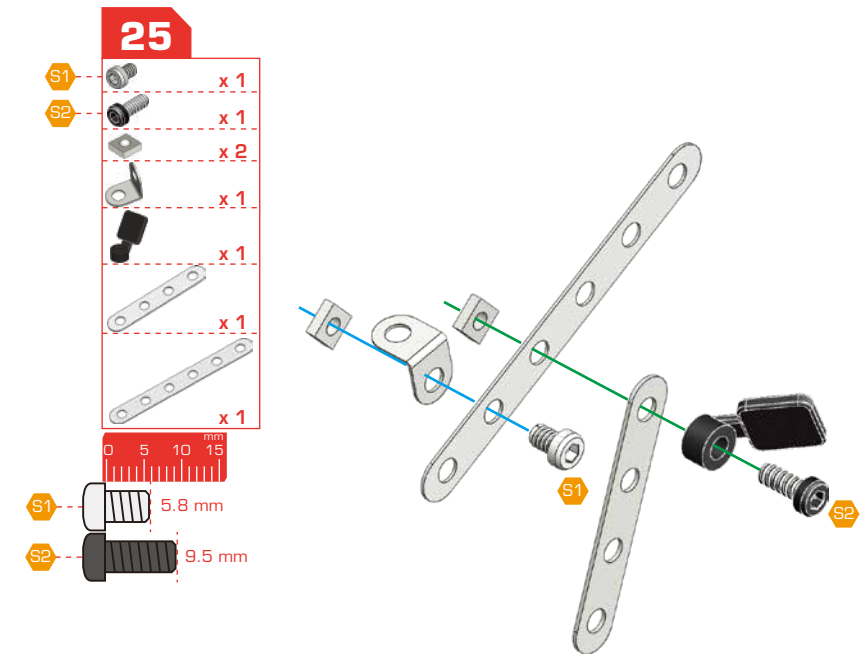
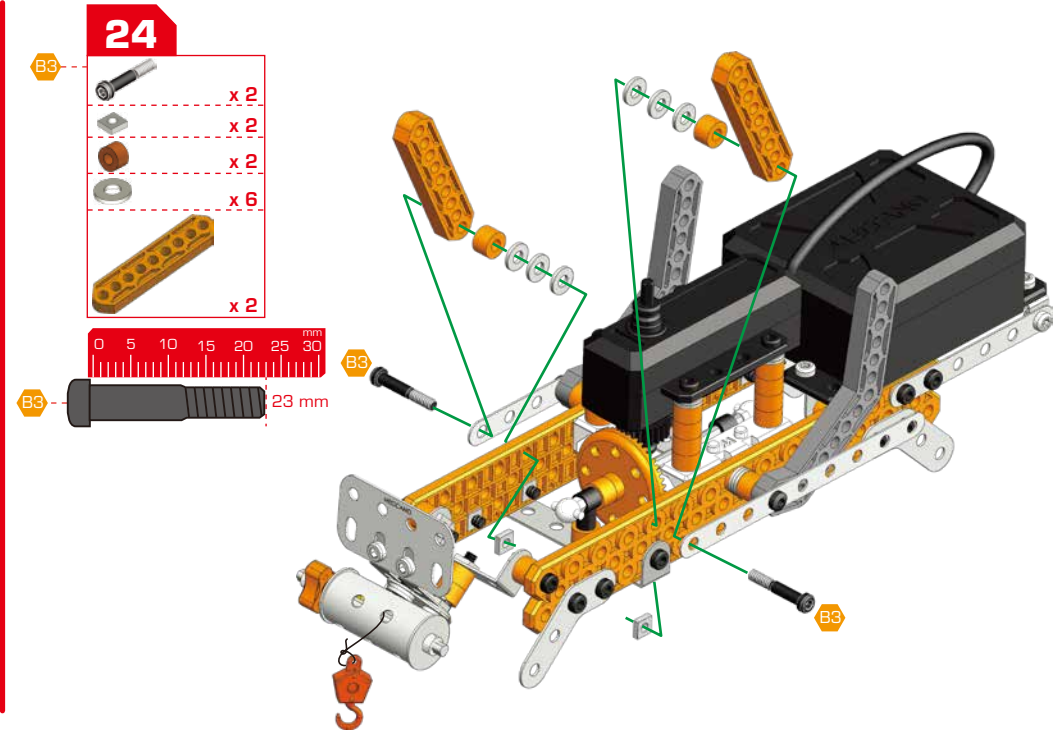
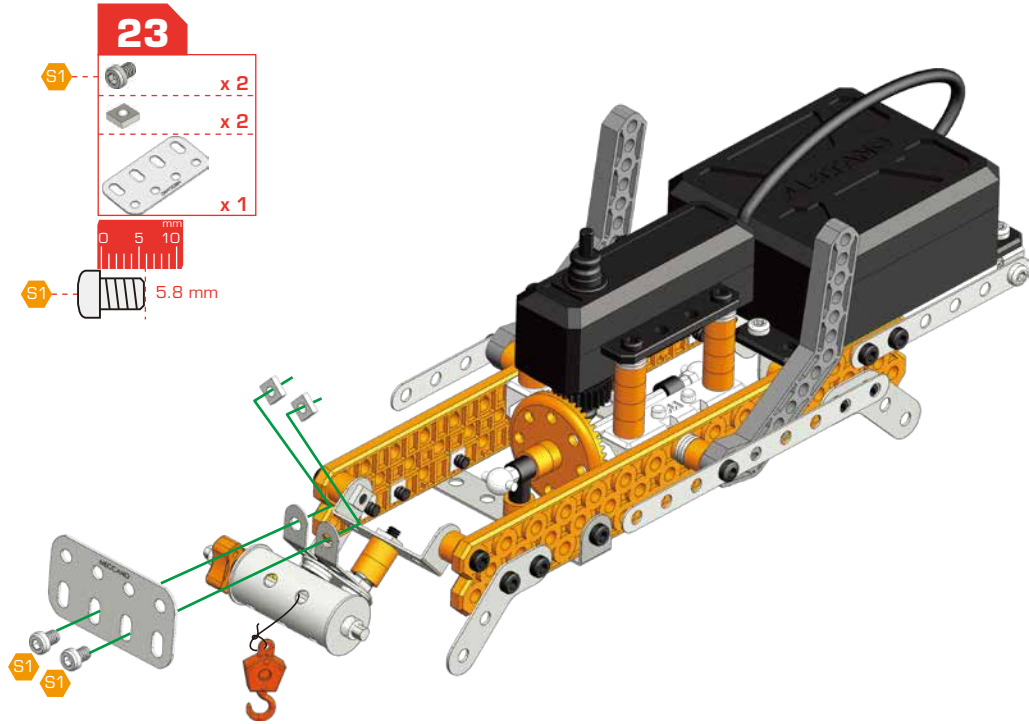
-  x 1
-  x 1
-  x 1



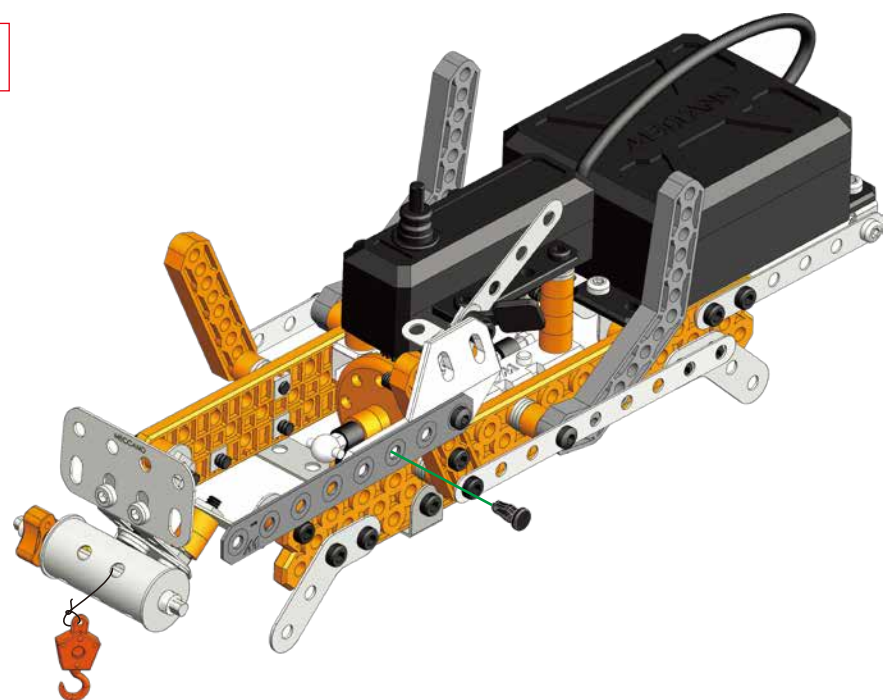
22

-  x 1

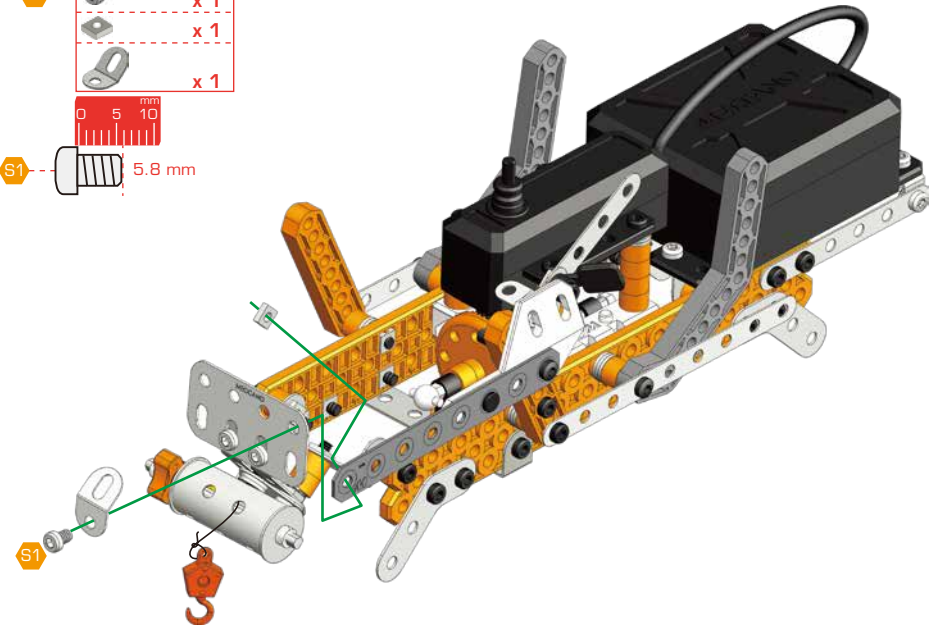
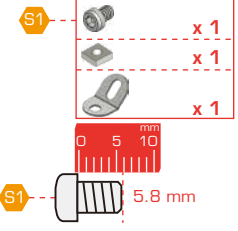




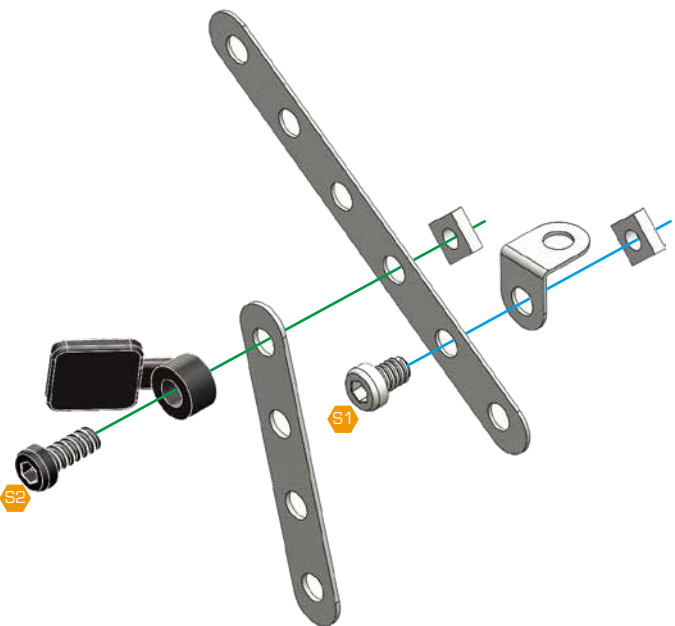
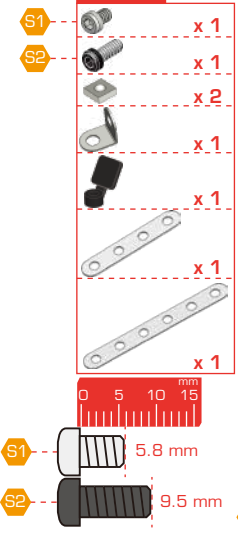
27



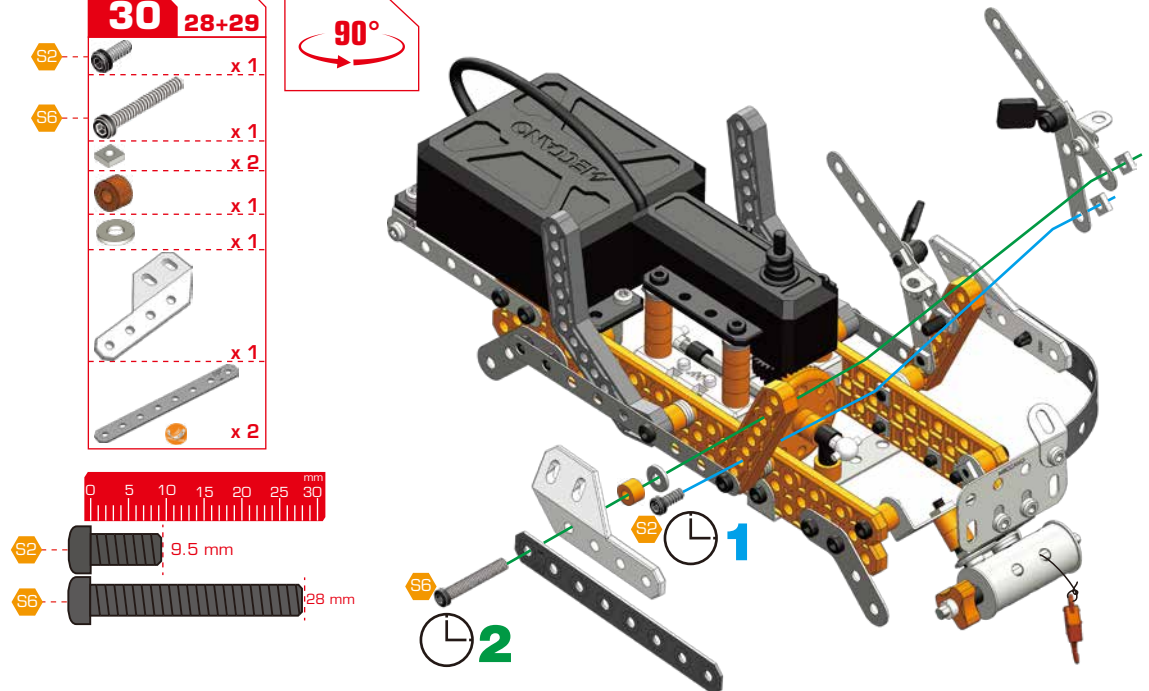
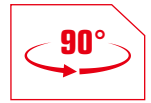
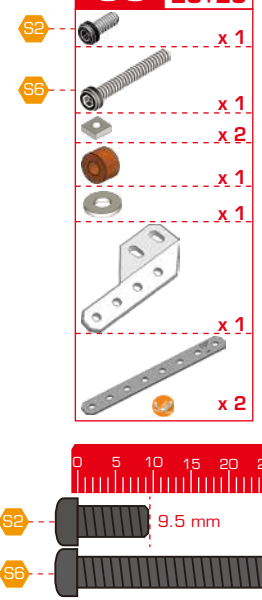
28



29

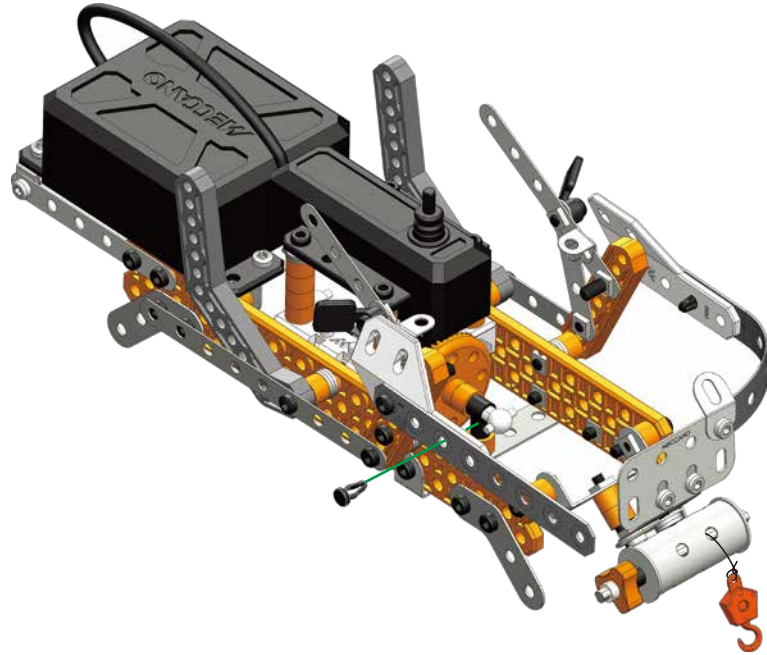


30 28+29

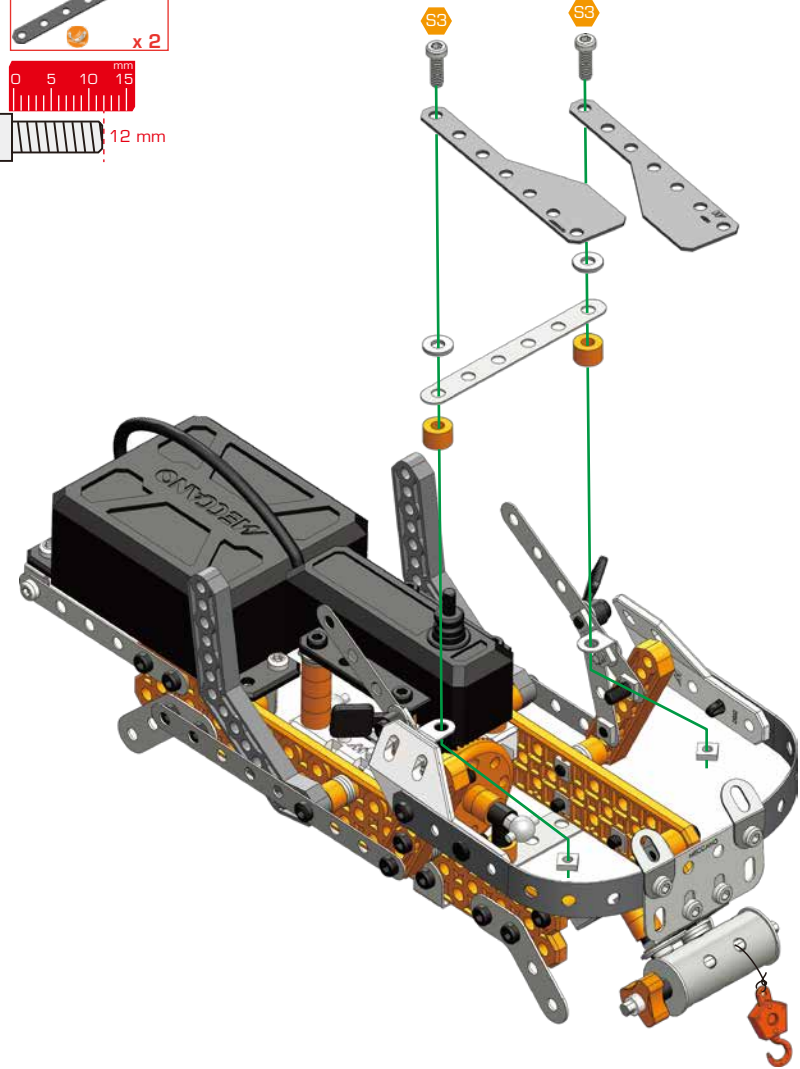
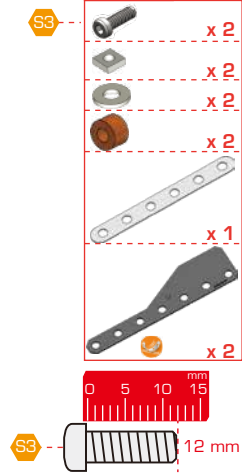




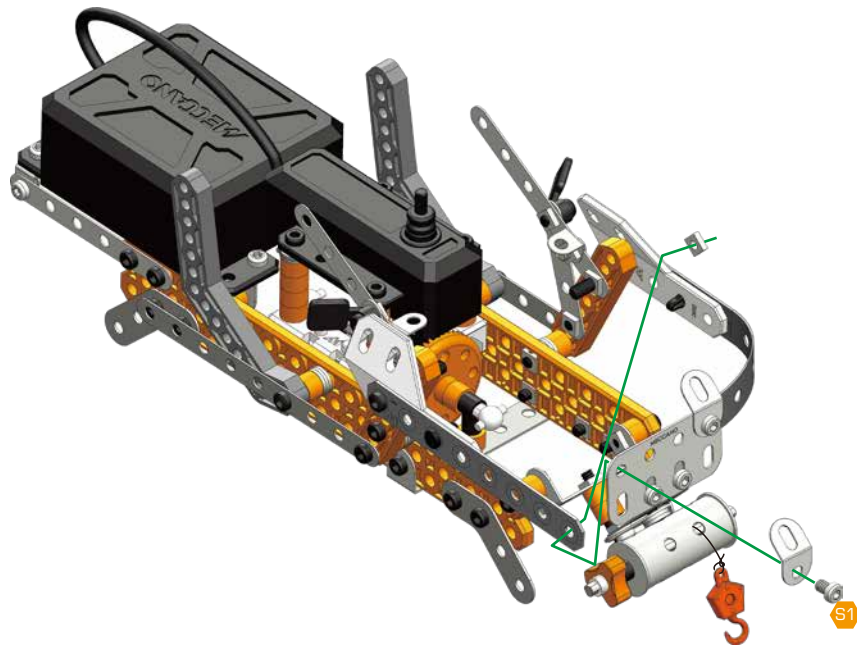
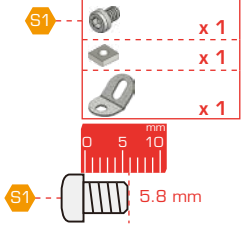
**31**

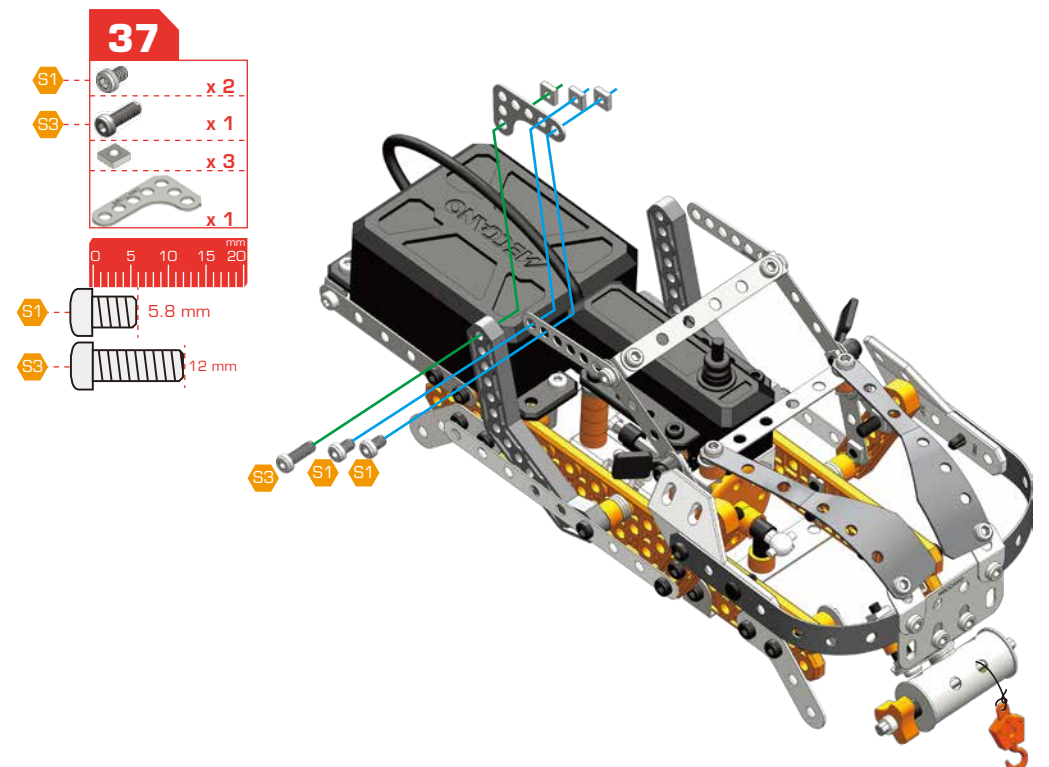
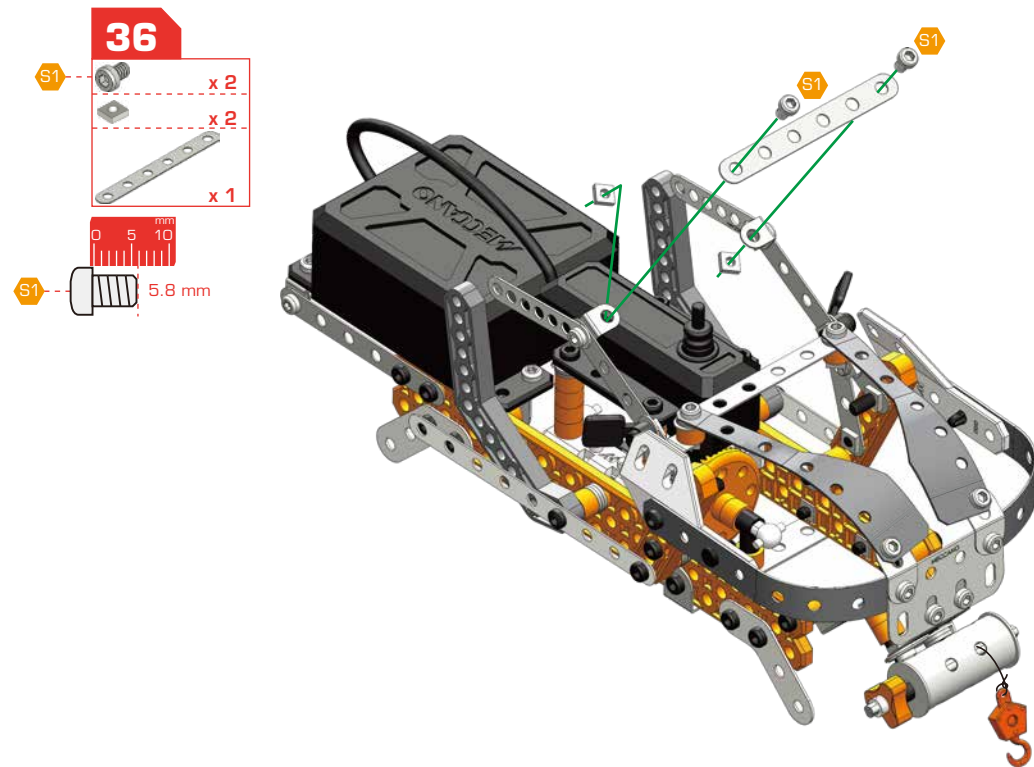
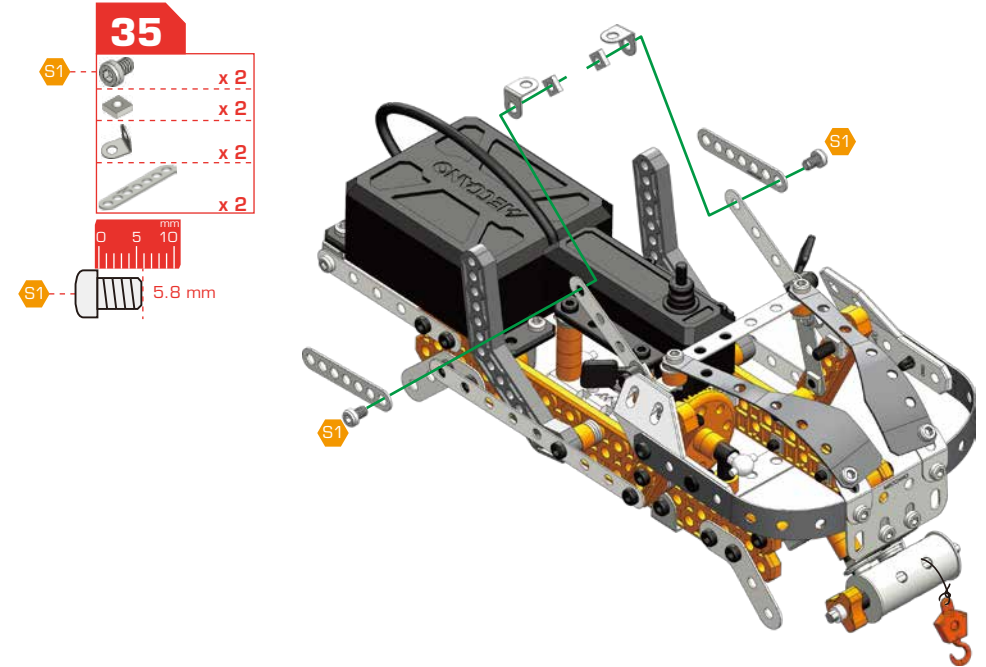
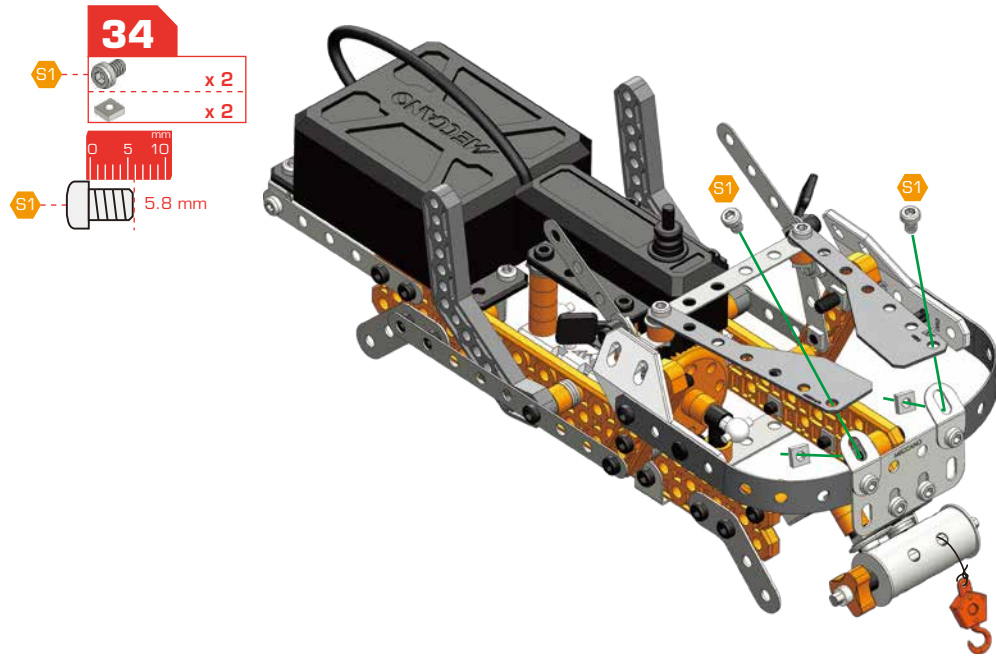


**33**

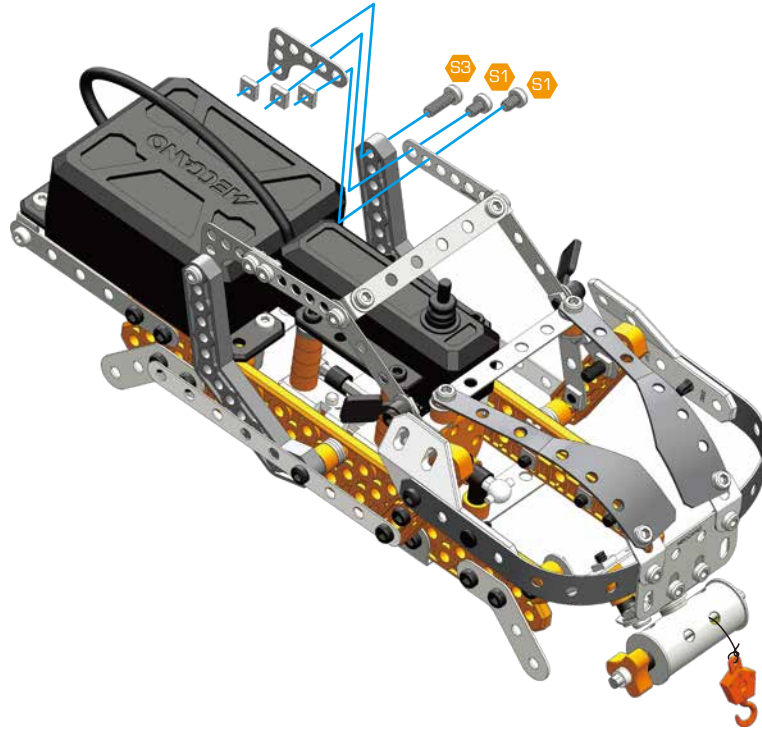


**32**

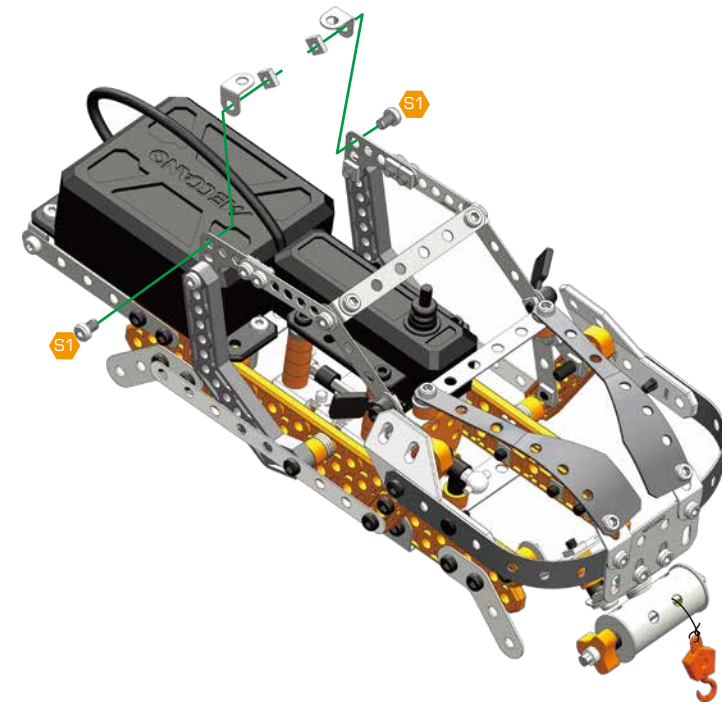




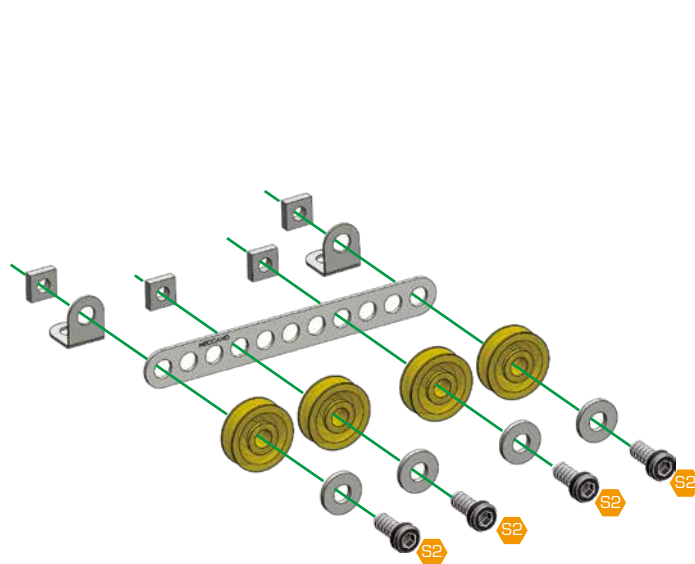
- 38**
- S1 x 2
  - S3 x 1
  - x 3
  - x 1
- 
- S1 5.8 mm
  - S3 12 mm



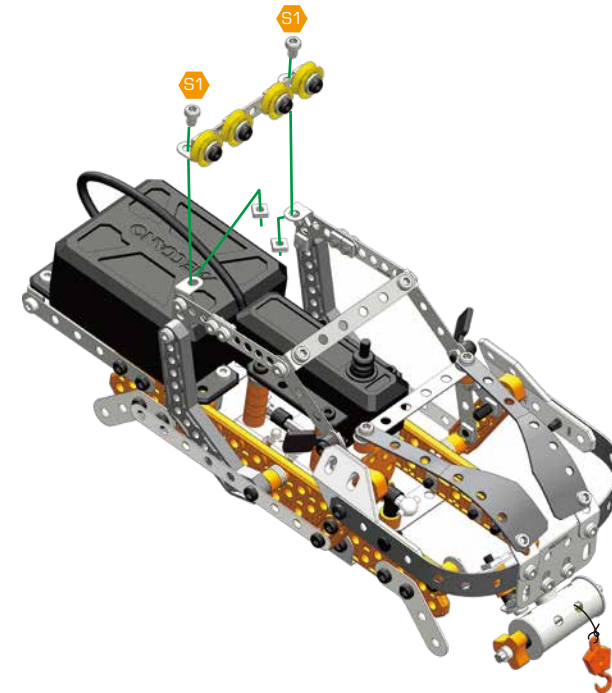
- 39**
- S1 x 2
  - x 2
  - x 2
- 
- S1 5.8 mm

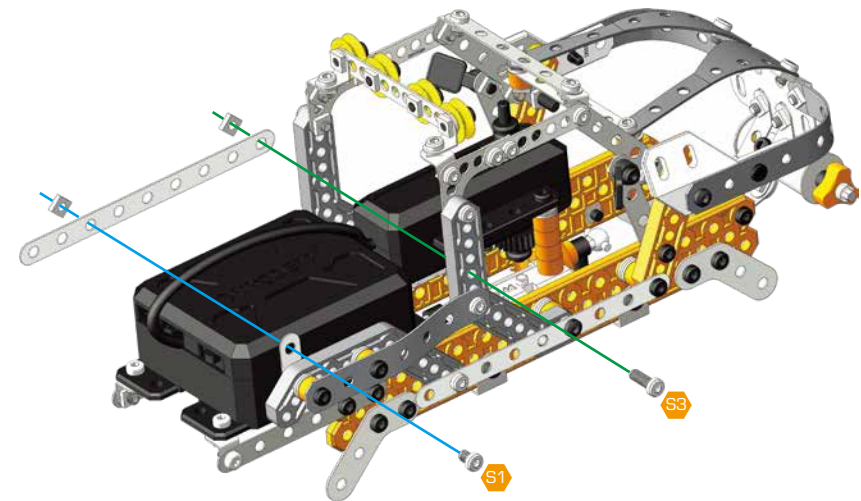
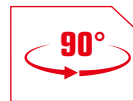
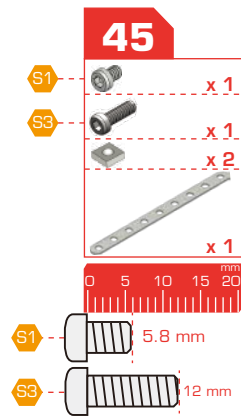
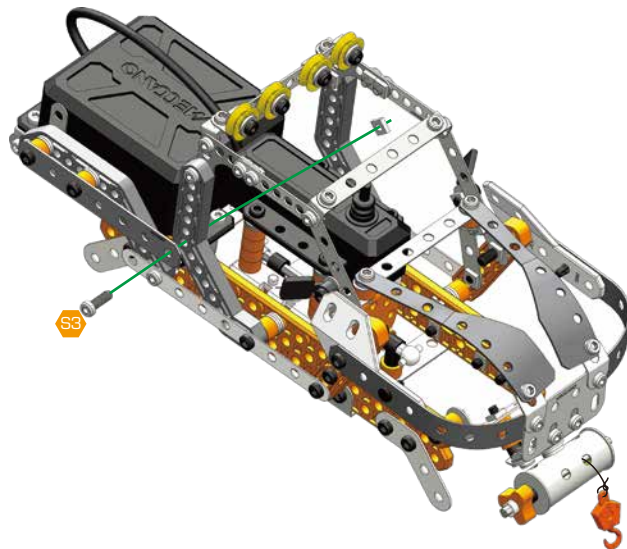
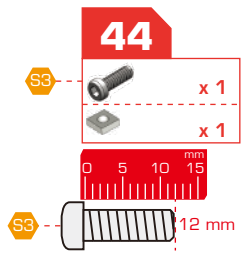
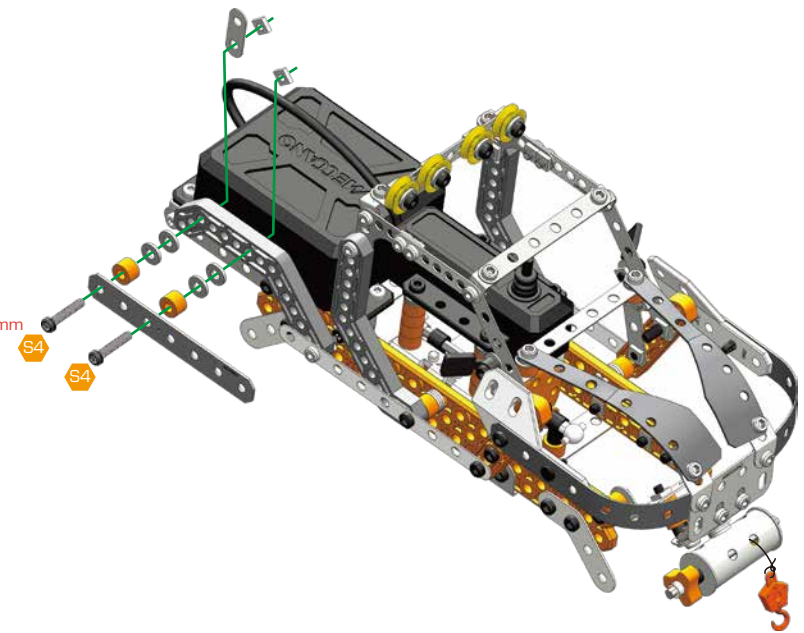
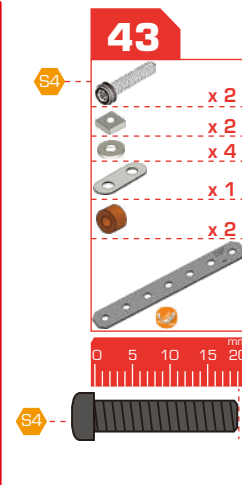
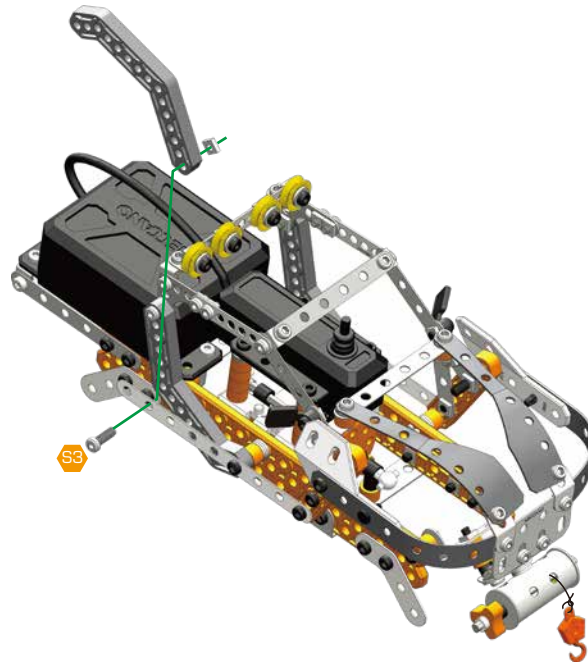
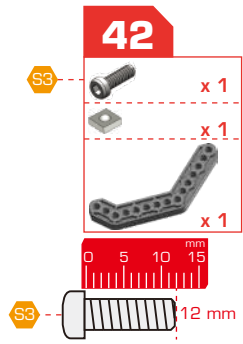


- 40**
- S2 x 4
  - x 4
  - x 2
  - x 4
  - x 4
  - x 1
- 
- S2 9.5 mm

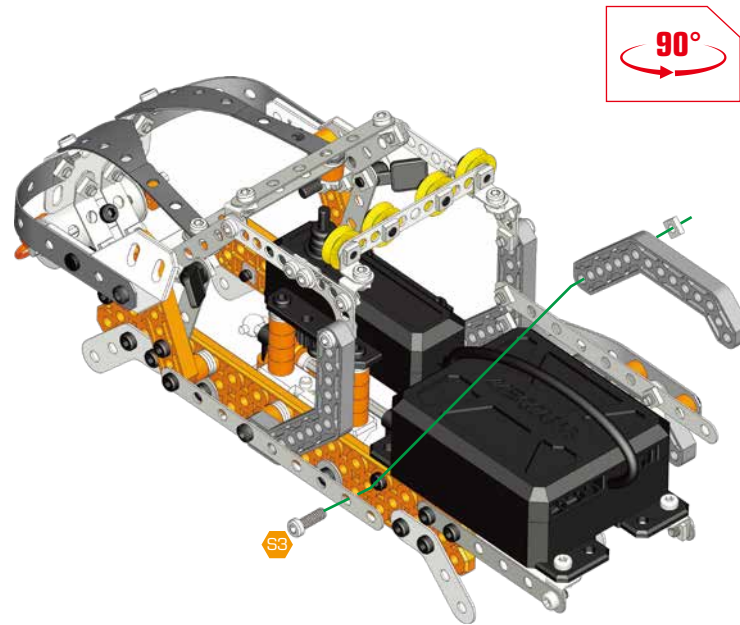


- 41** 39+40
- S1 x 2
  - x 2
- 
- S1 5.8 mm

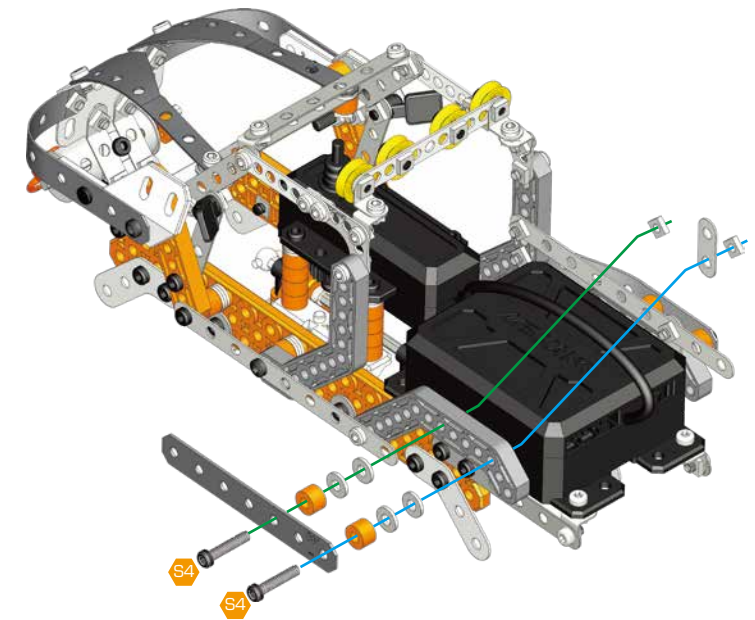




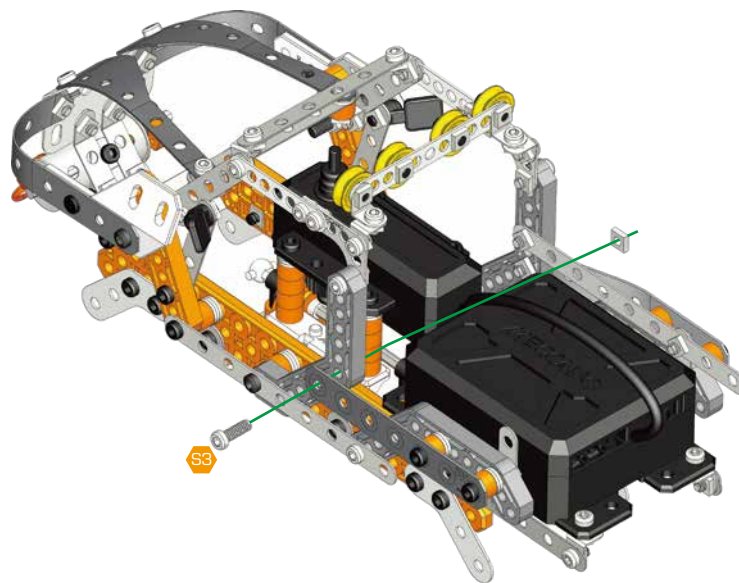
- 46**
- S3 x 1
  - x 1
  - x 1
- 
- S3 12 mm



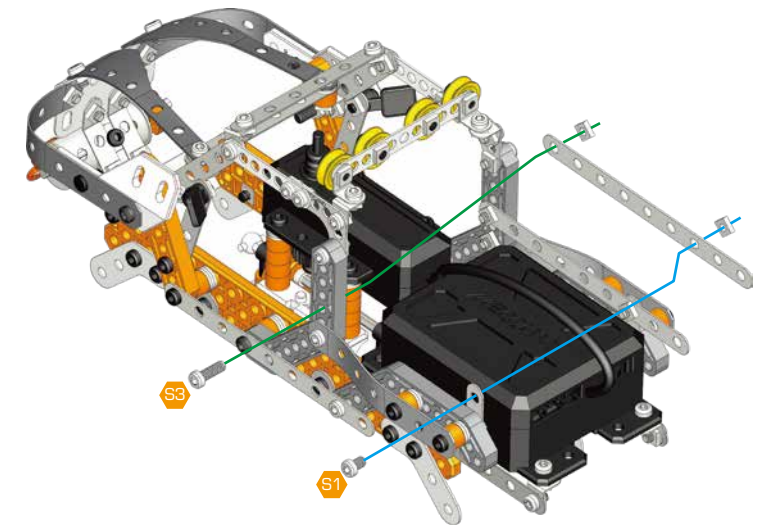
- 47**
- S4 x 2
  - x 2
  - x 4
  - x 1
  - x 2
  - x 1
- 
- S4 19 mm

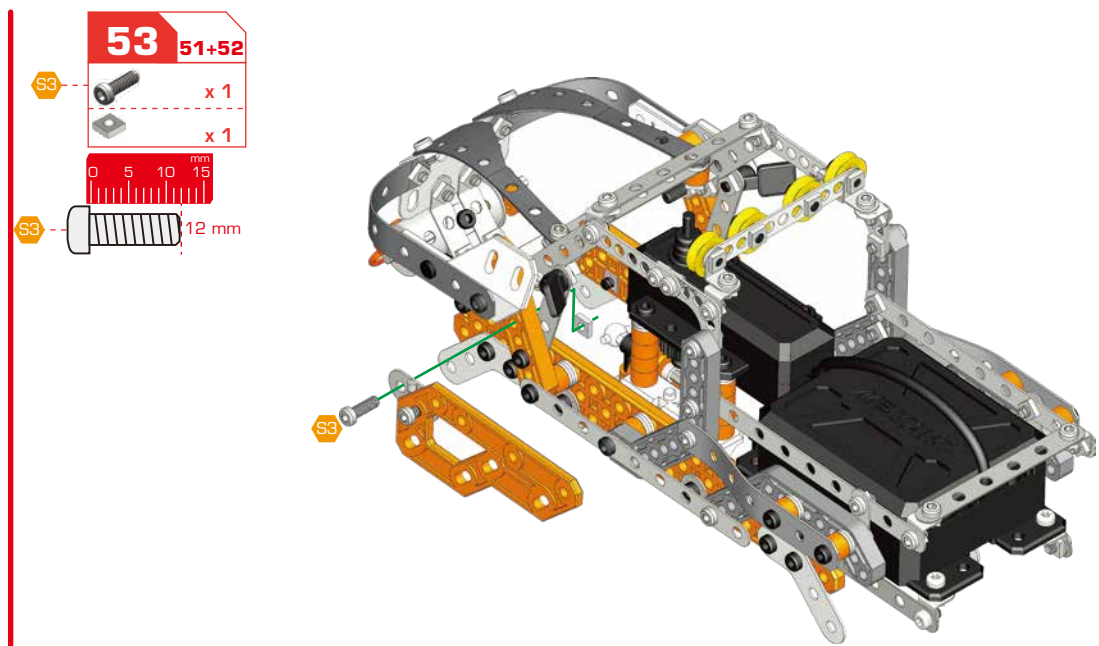
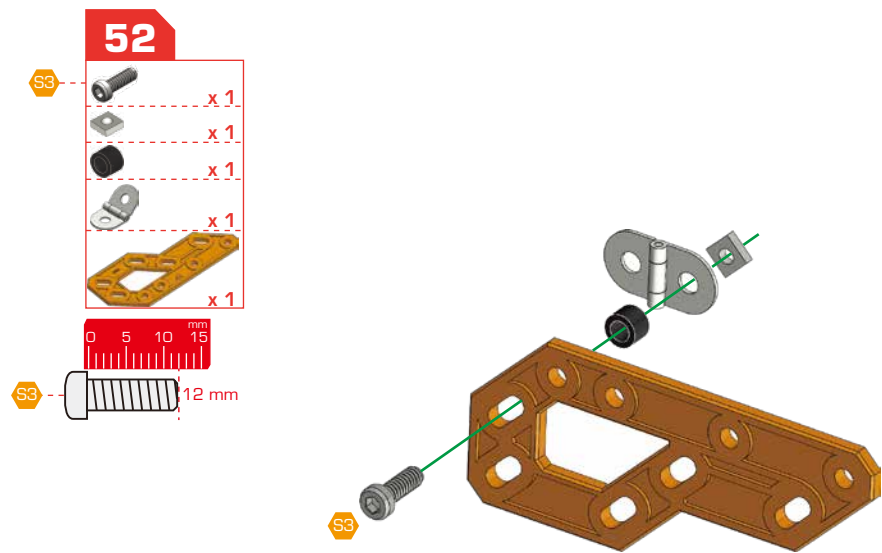
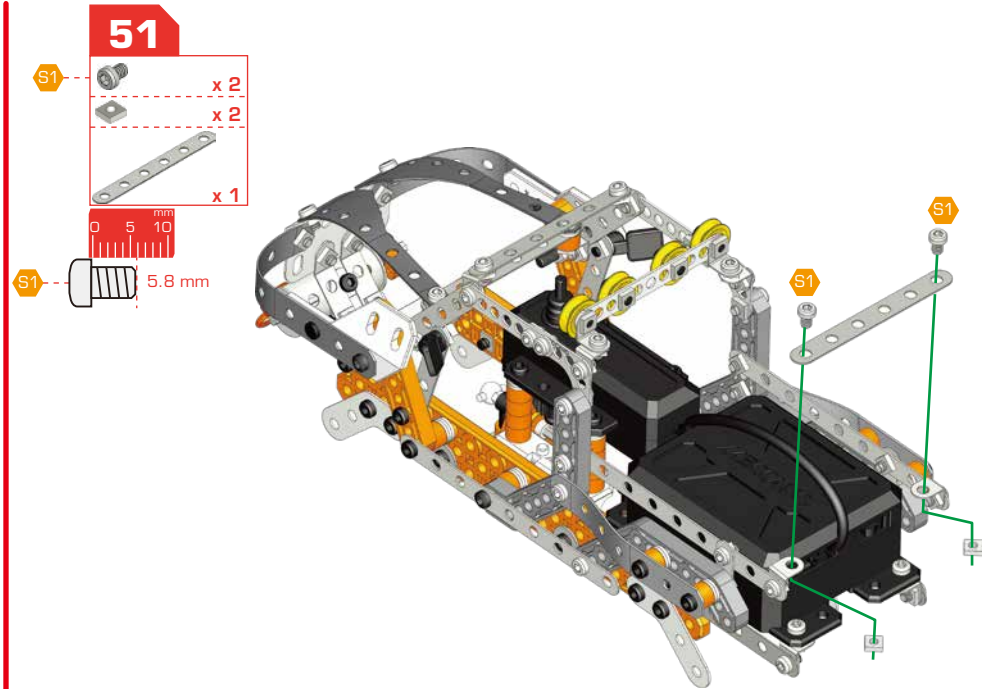
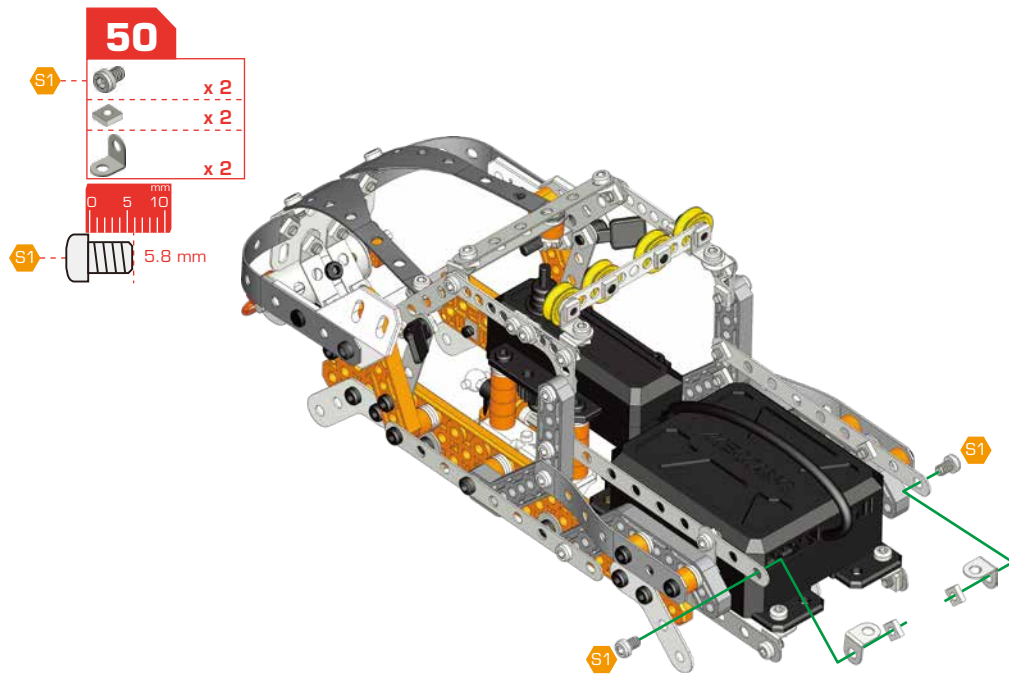


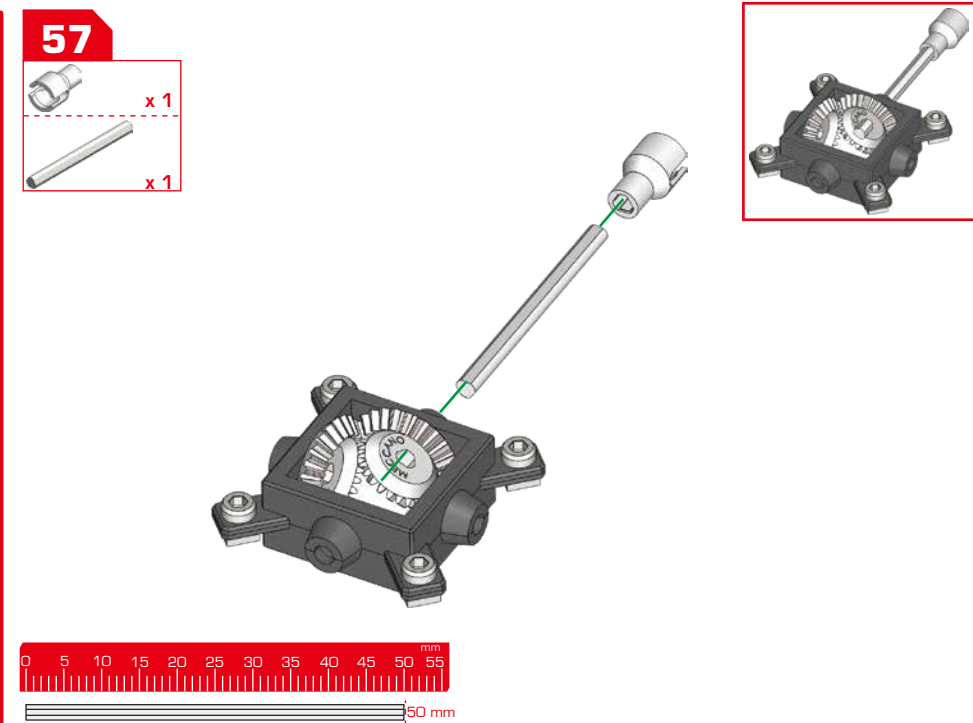
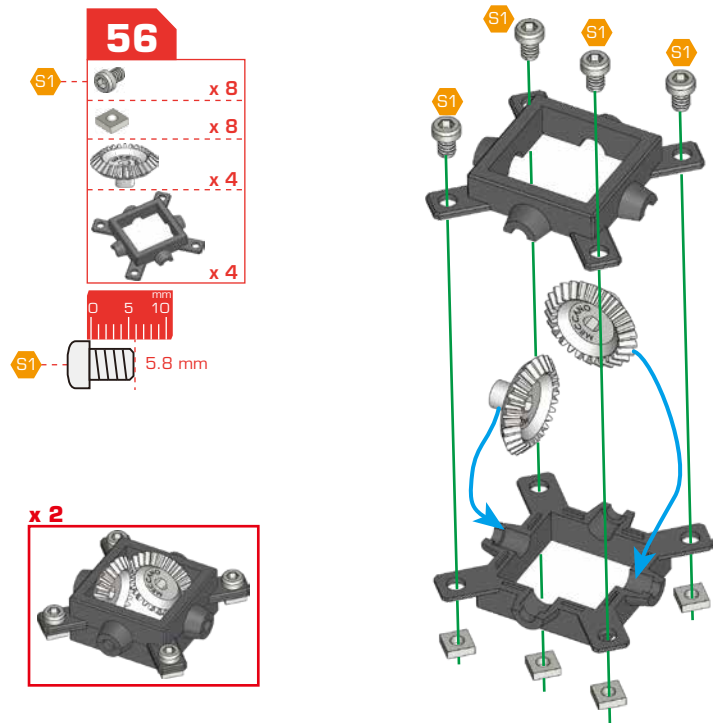
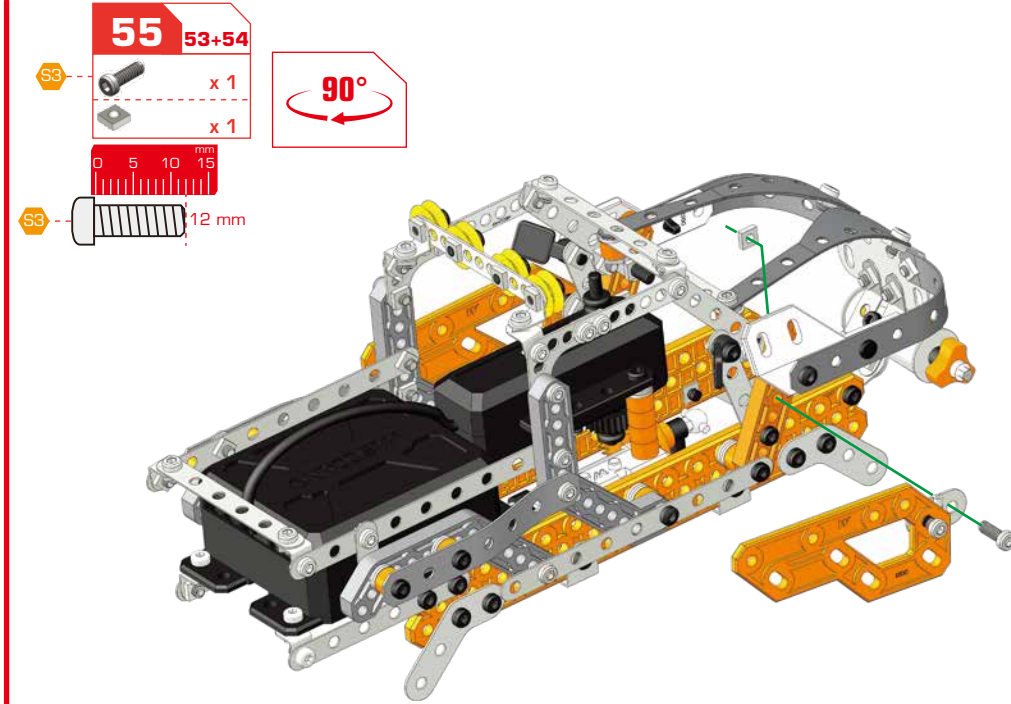
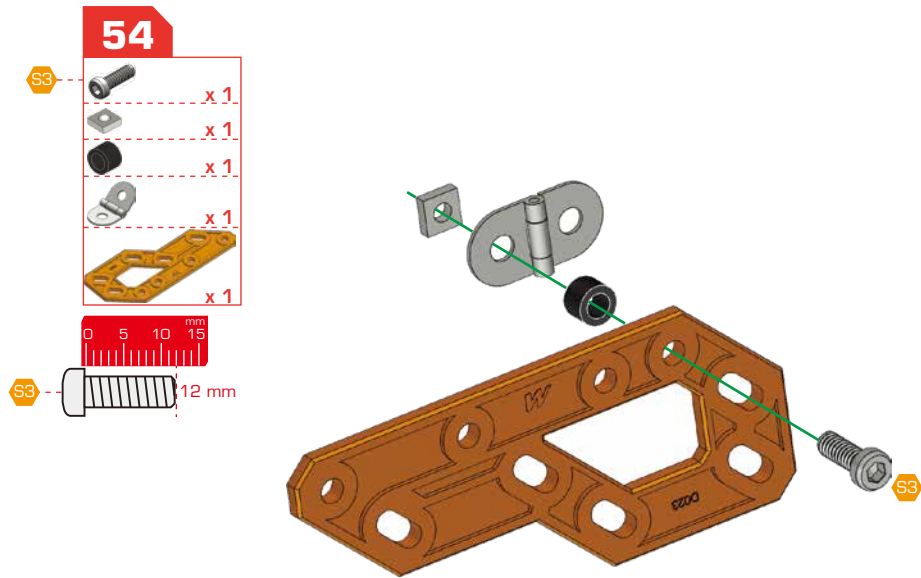
- 48**
- S3 x 1
  - x 1
- 
- S3 12 mm





- 49**
- S1 x 1
  - S3 x 1
  - x 2
  - x 1
- 
- S1 5.8 mm
- S3 12 mm

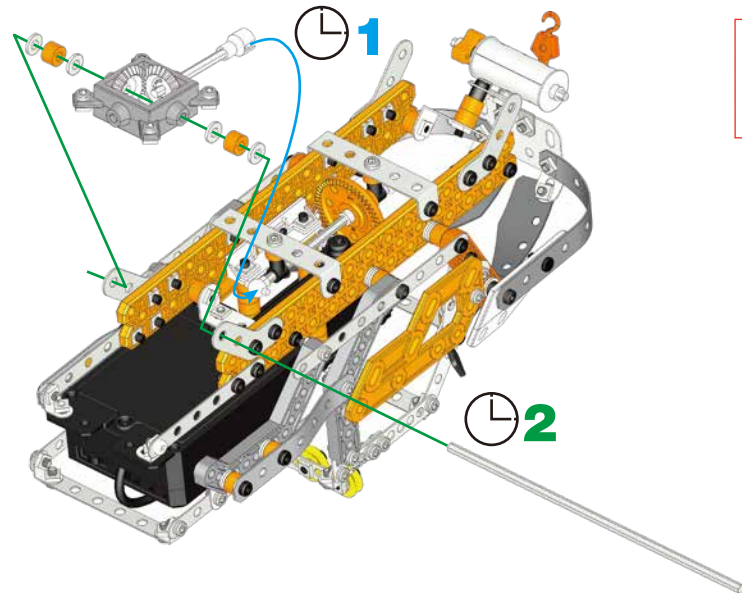






**58** 55+57

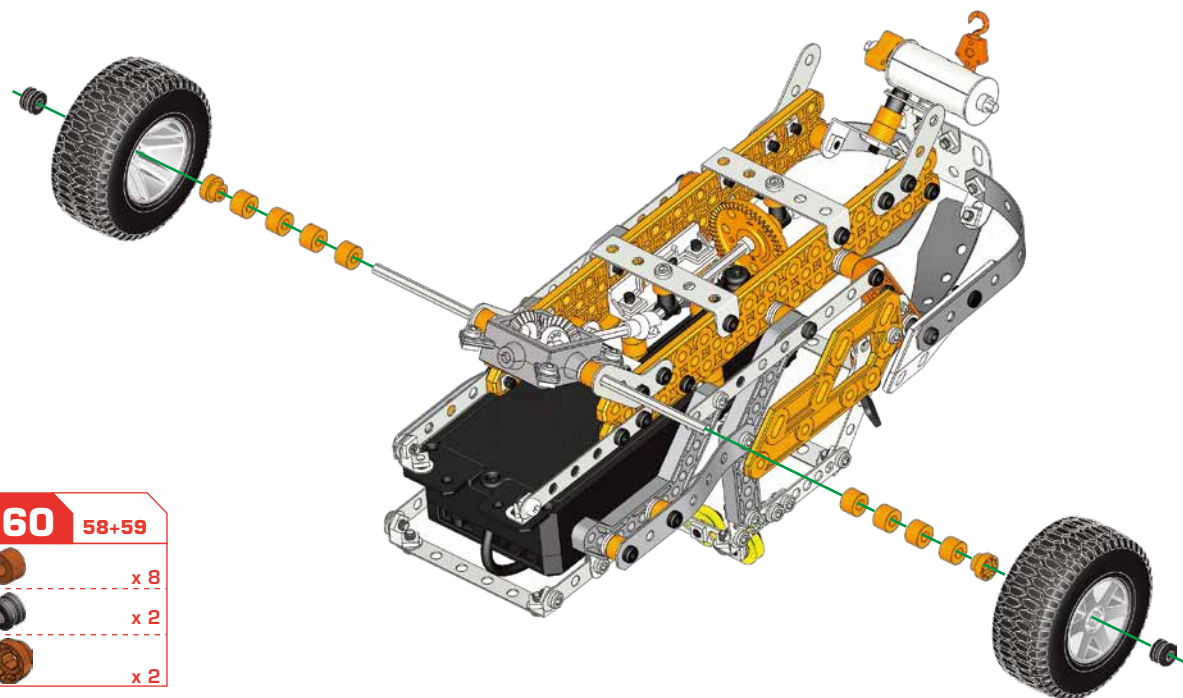
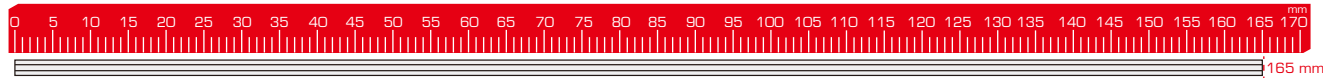
-  x 4
-  x 2
-  x 1



**59**

-  x 4
-  x 4

x 4

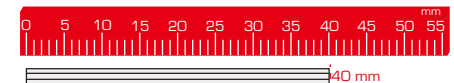
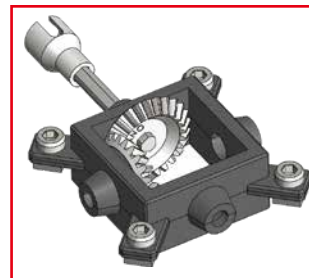
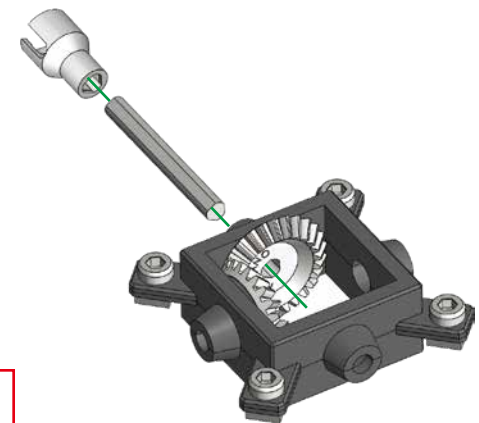



**60** 58+59




-  x 8
-  x 2
-  x 2

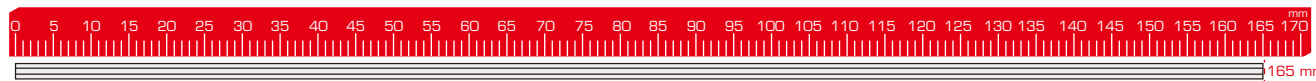
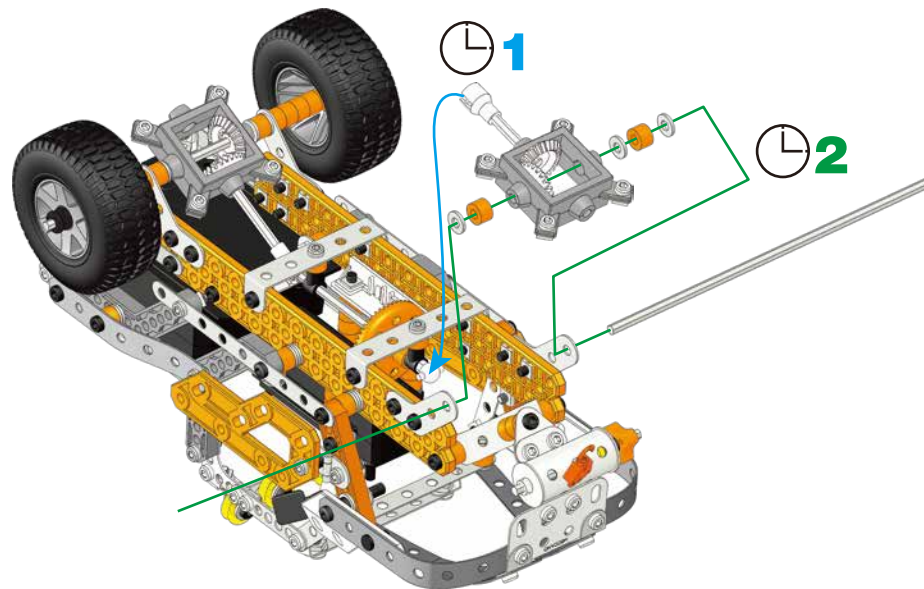
**61**

-  x 1
-  x 1





<b>62</b>	<b>60+61</b>
	x 4
	x 2
	x 1



<b>63</b>	<b>59+62</b>
	x 8
	x 2
	x 2

