





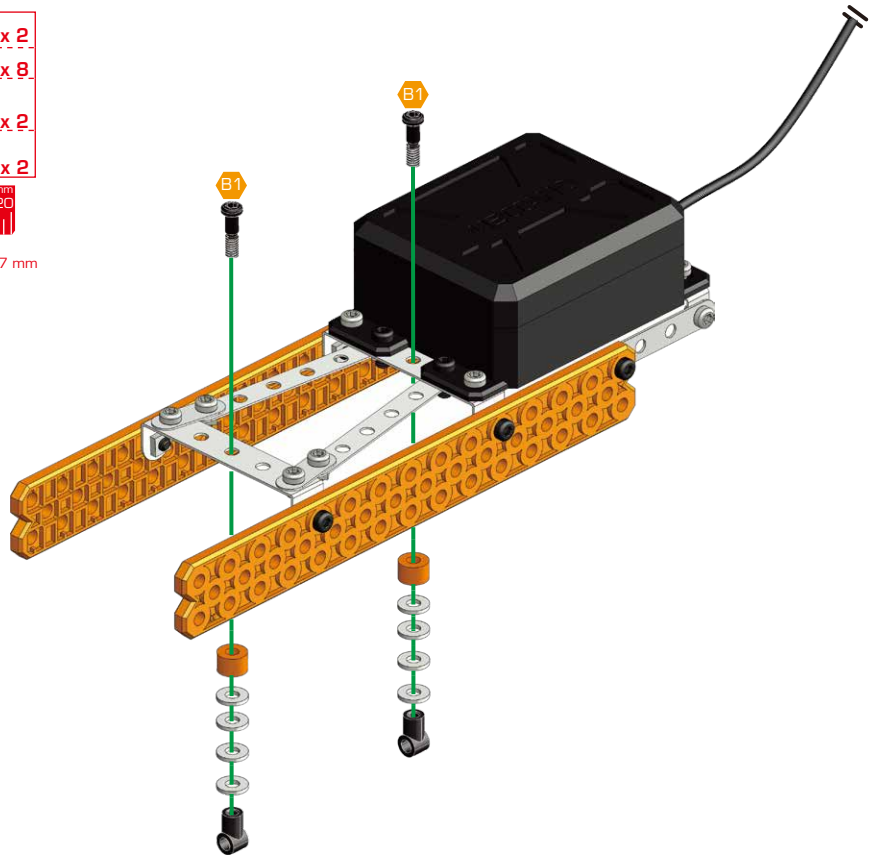
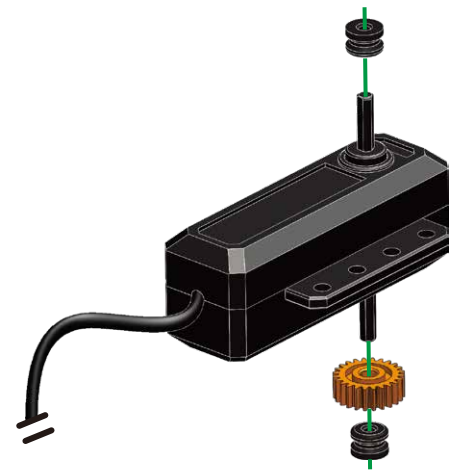


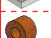




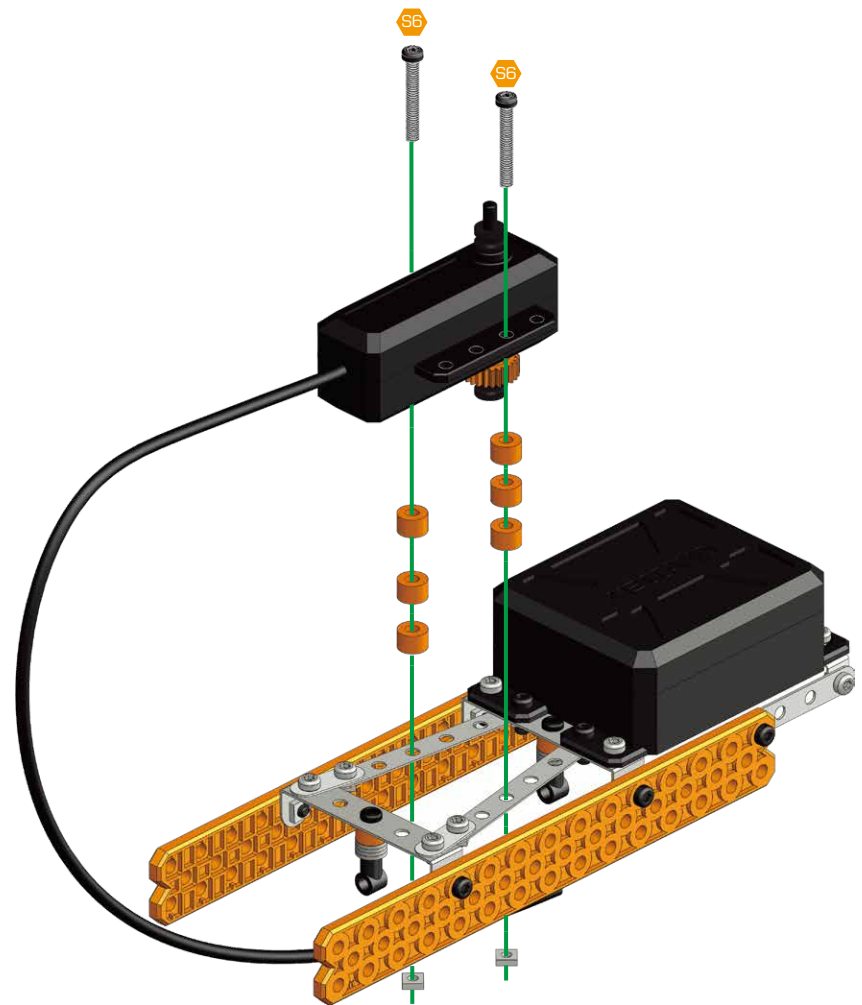
- 8**
-  x 2
 -  x 8
 -  x 2
 -  x 2
-  0 5 10 15 20 mm
-  x 14.7 mm

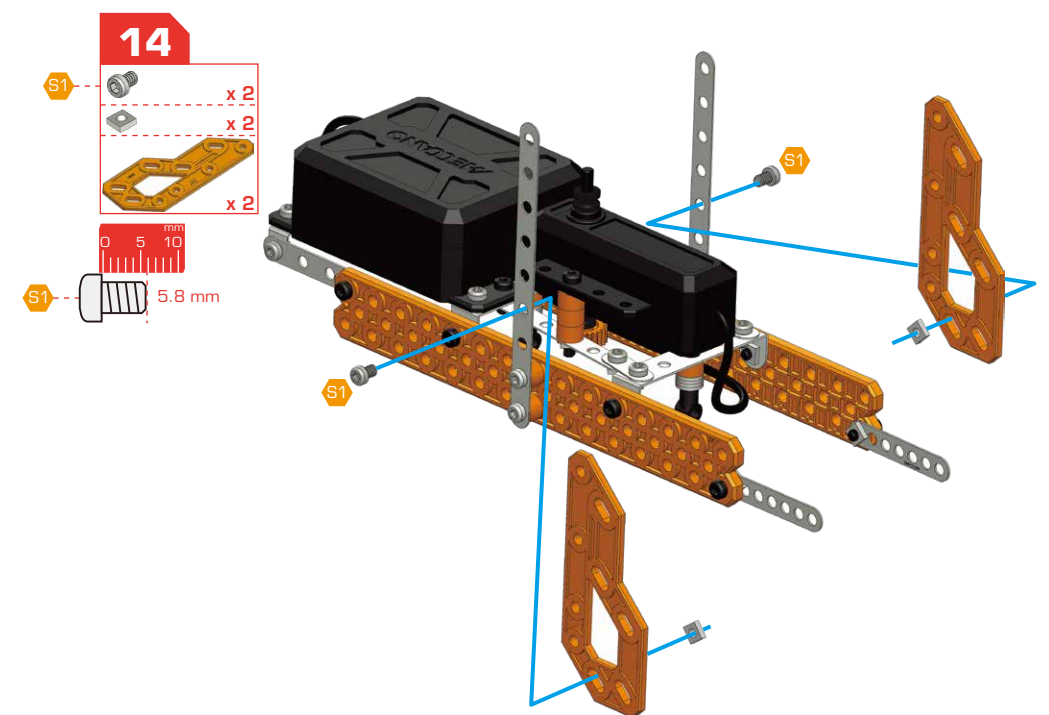
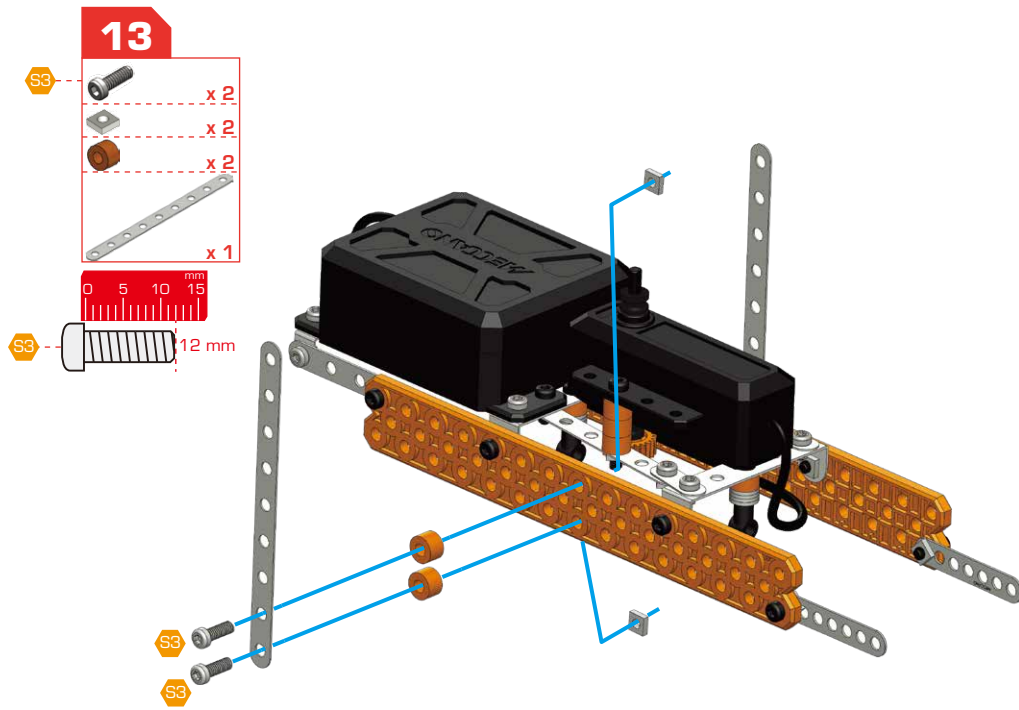
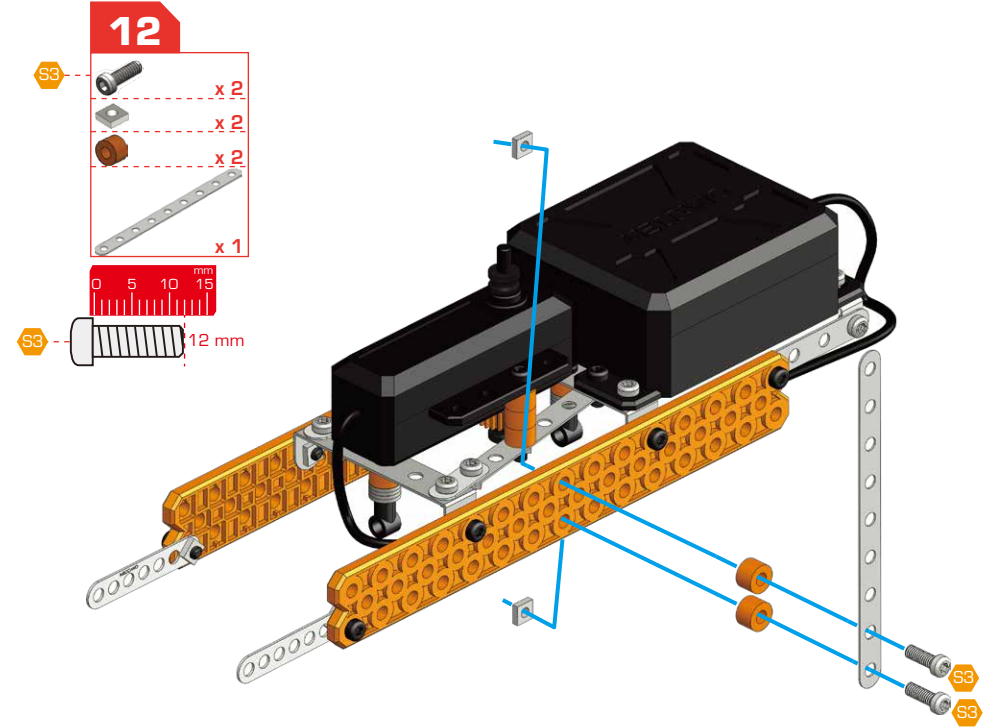
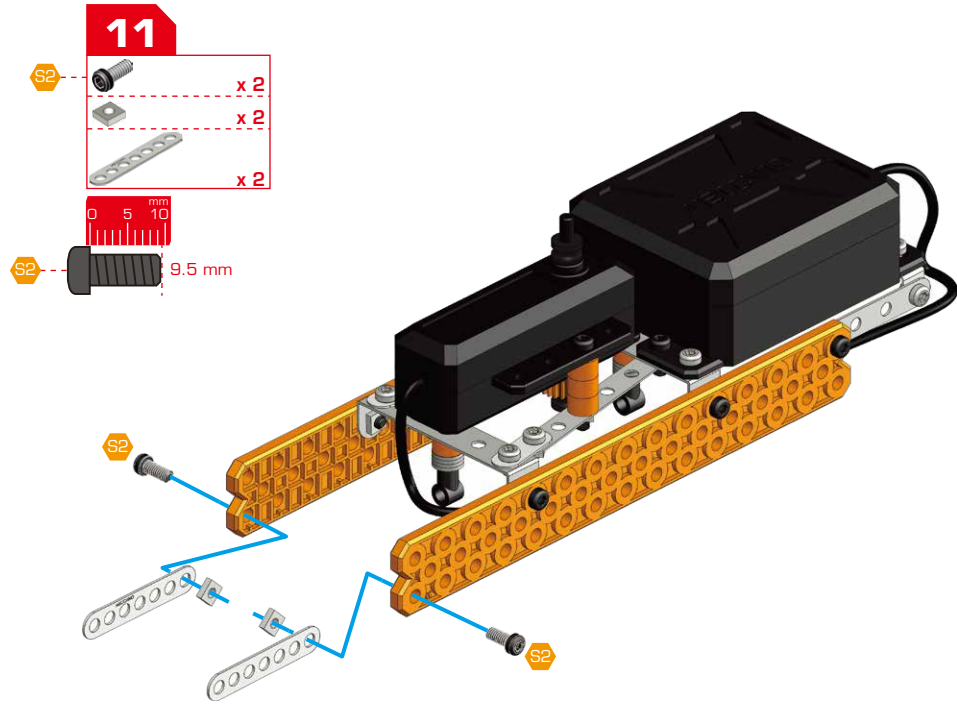


- 9**
-  x 2
 -  x 1
 -  x 1



- 10 8+9**
-  x 2
 -  x 2
 -  x 6
-  0 5 10 15 20 25 30 mm
-  x 28 mm



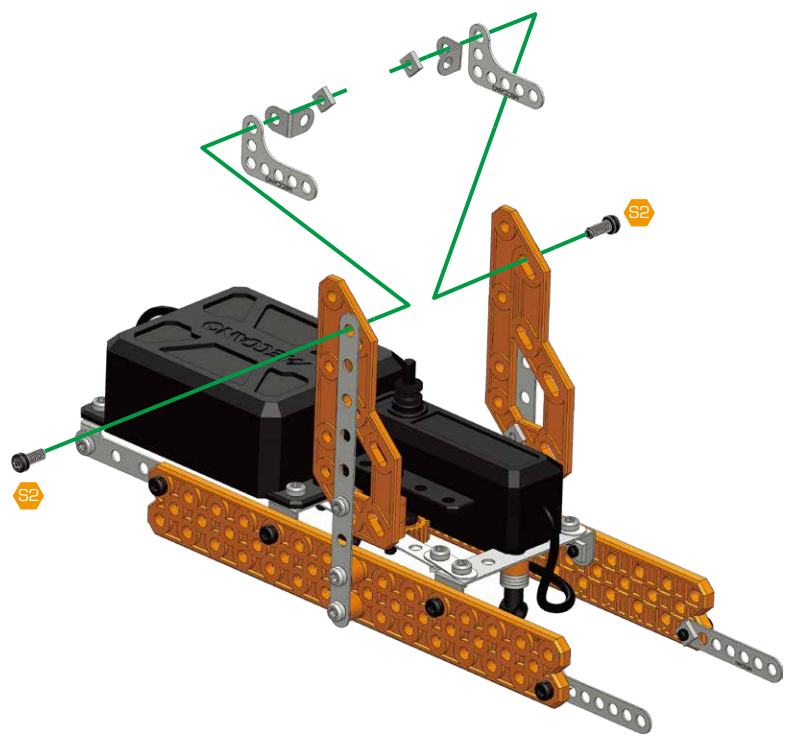


15

- S2 x 2
- x 2
- x 2
- x 2



S2 9.5 mm

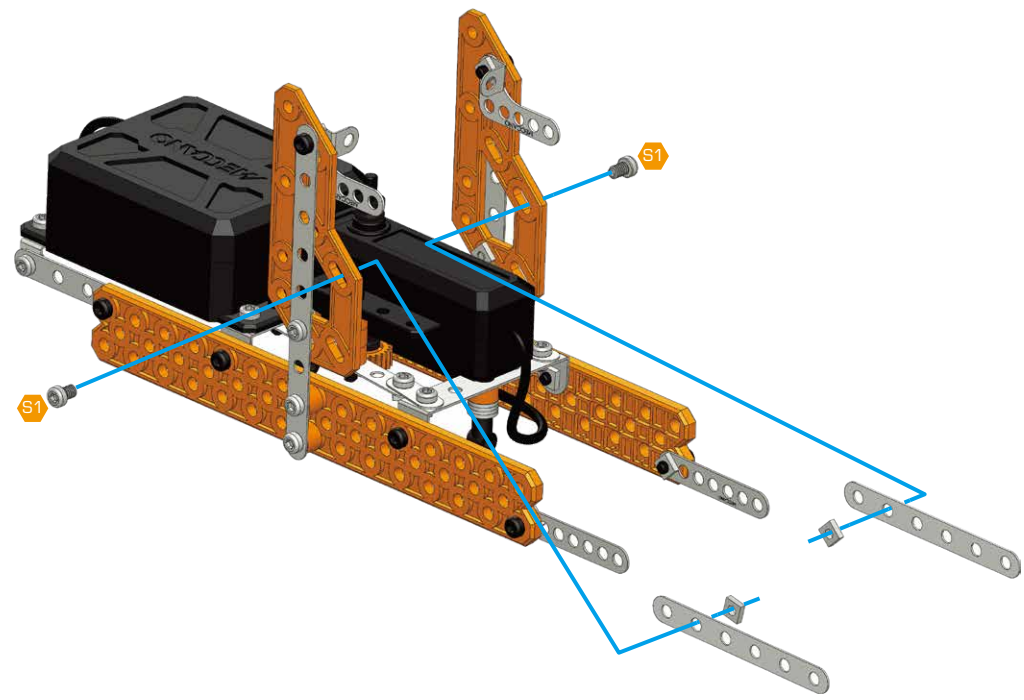


16

- S1 x 2
- x 2
- x 2

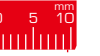


S1 5.8 mm

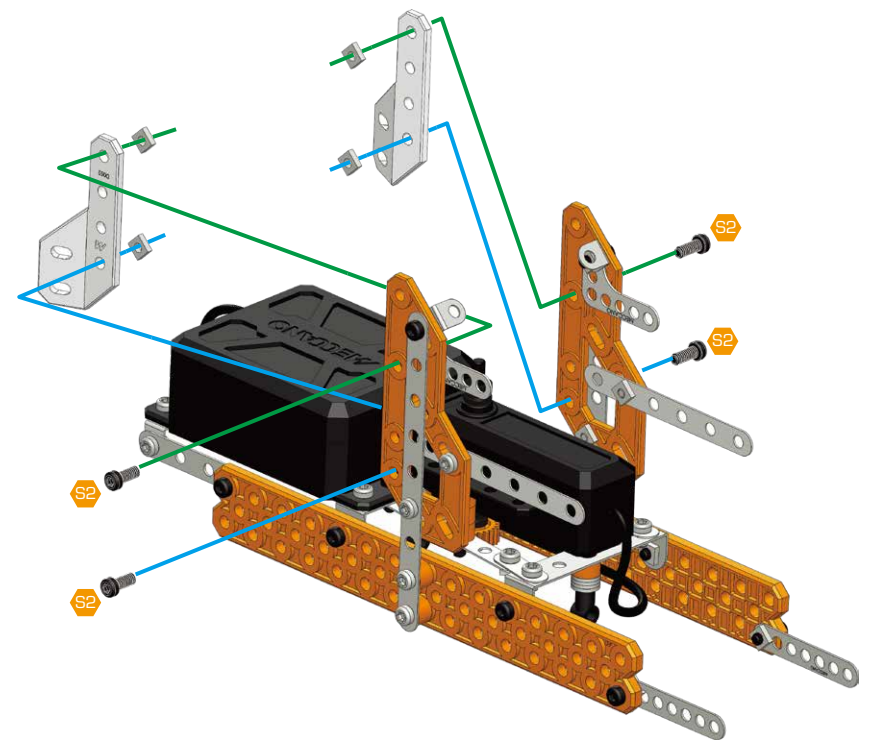


17

- S2 x 4
- x 4
- x 1
- x 1



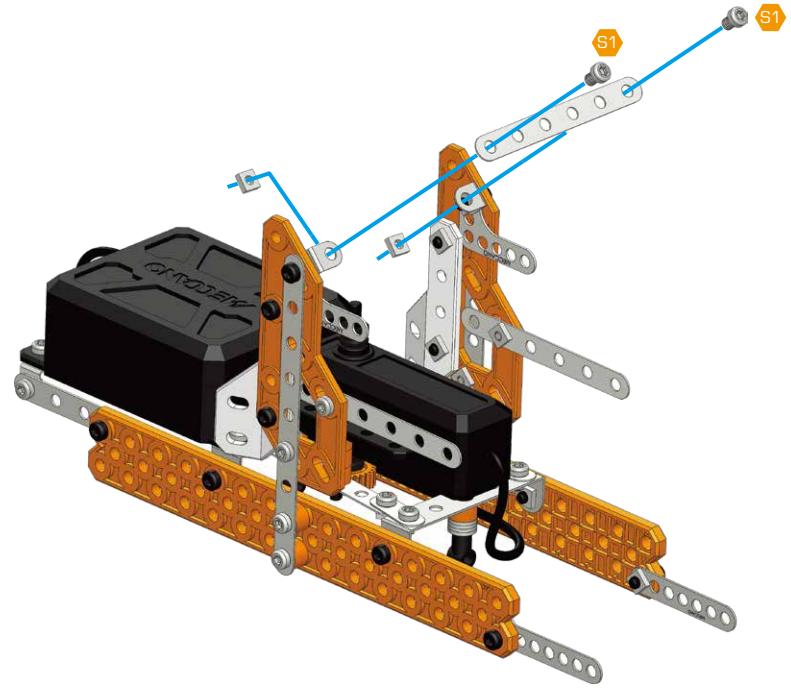
S2 9.5 mm



18

S1 x 2
 x 2
 x 2

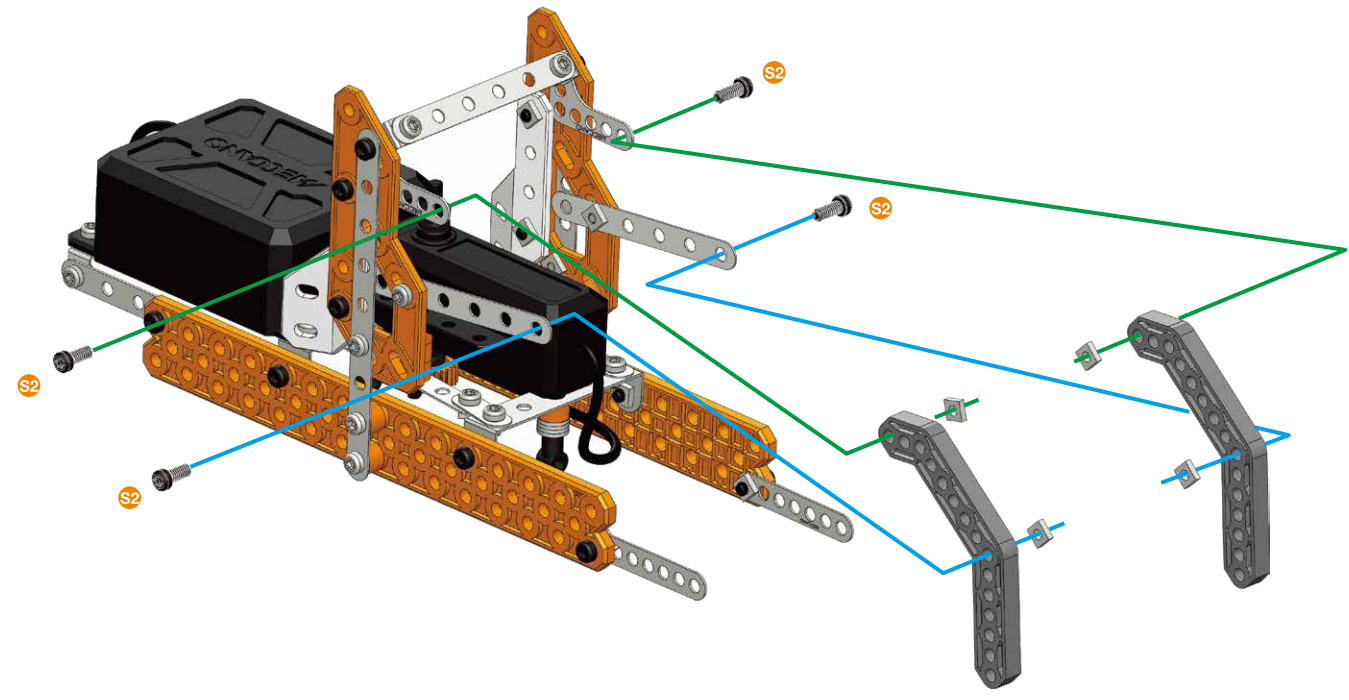
0 5 10 mm
 S1 5.8 mm




19

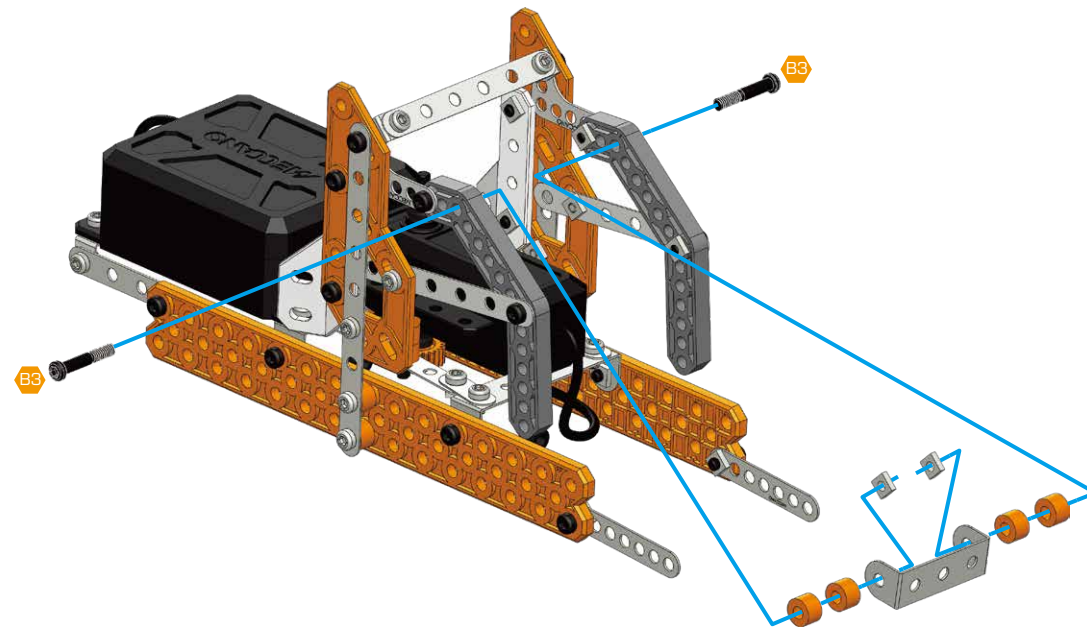
S2 x 4
 x 4
 x 2

0 5 10 mm
 S2 9.5 mm




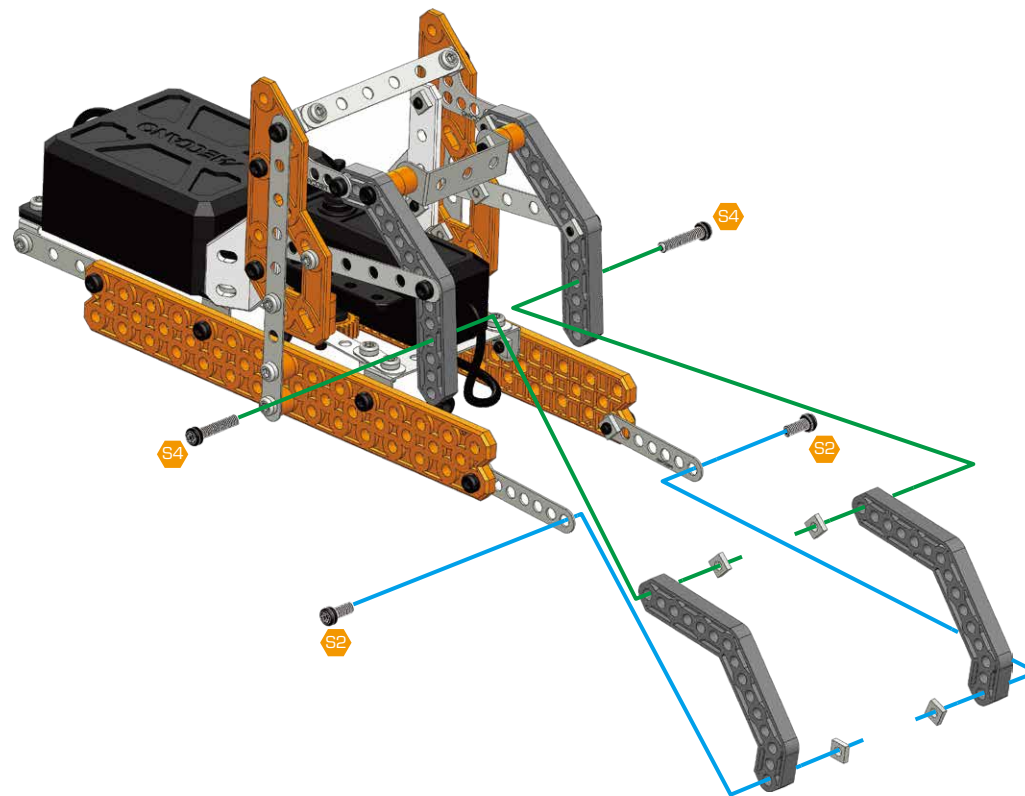
20

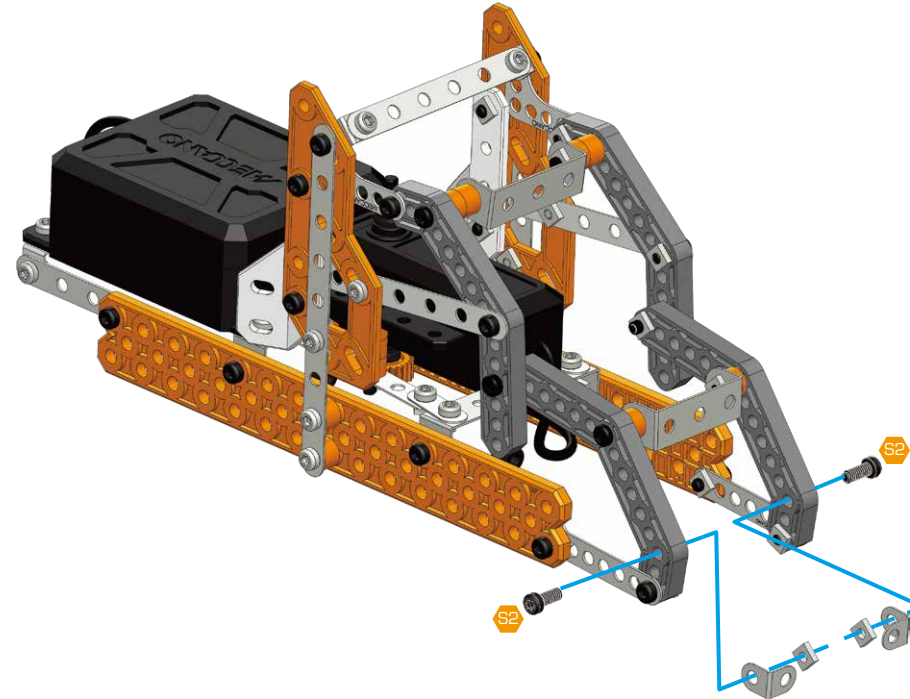
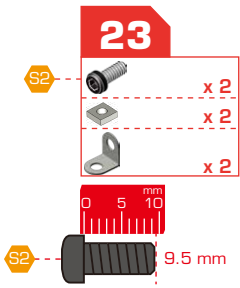
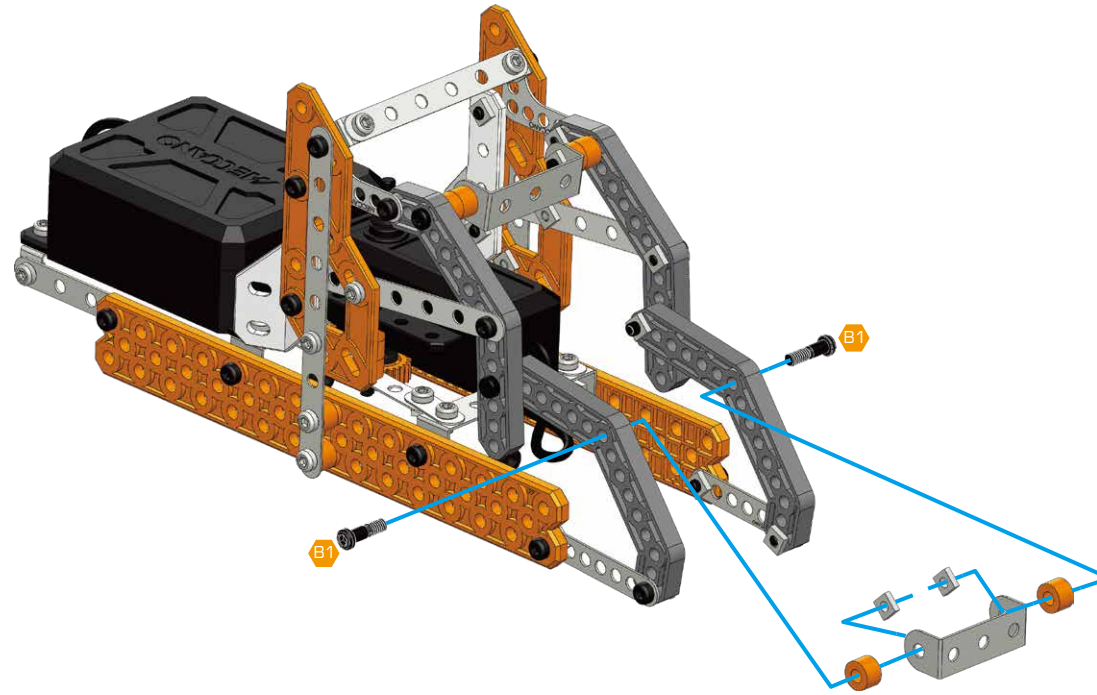
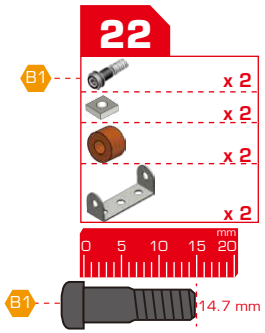
- B3 x 2
 - x 2
 - x 4
 - x 1
- 
- B3 23 mm

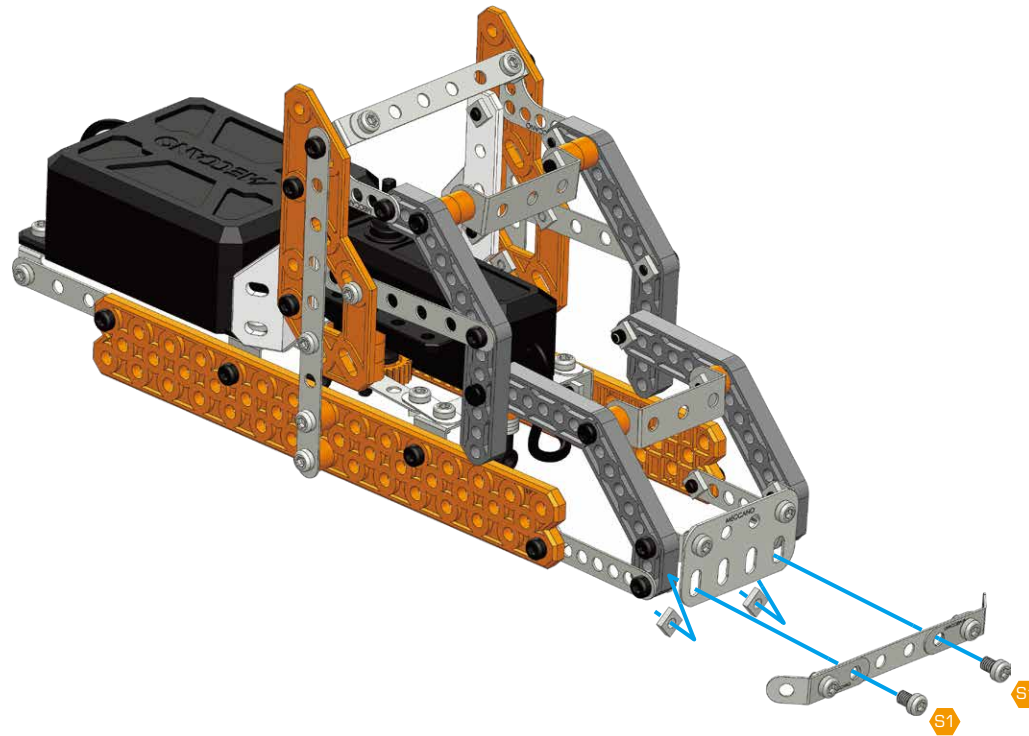
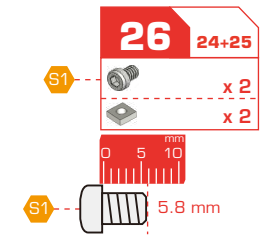
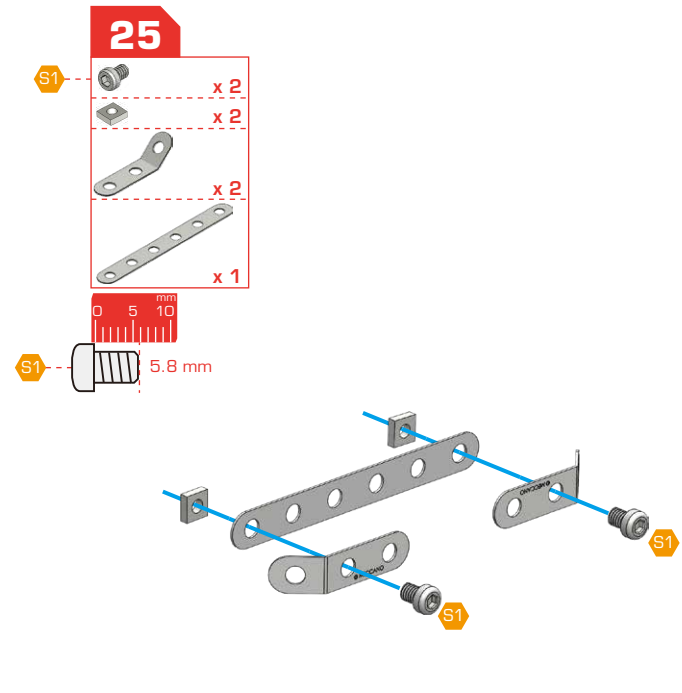
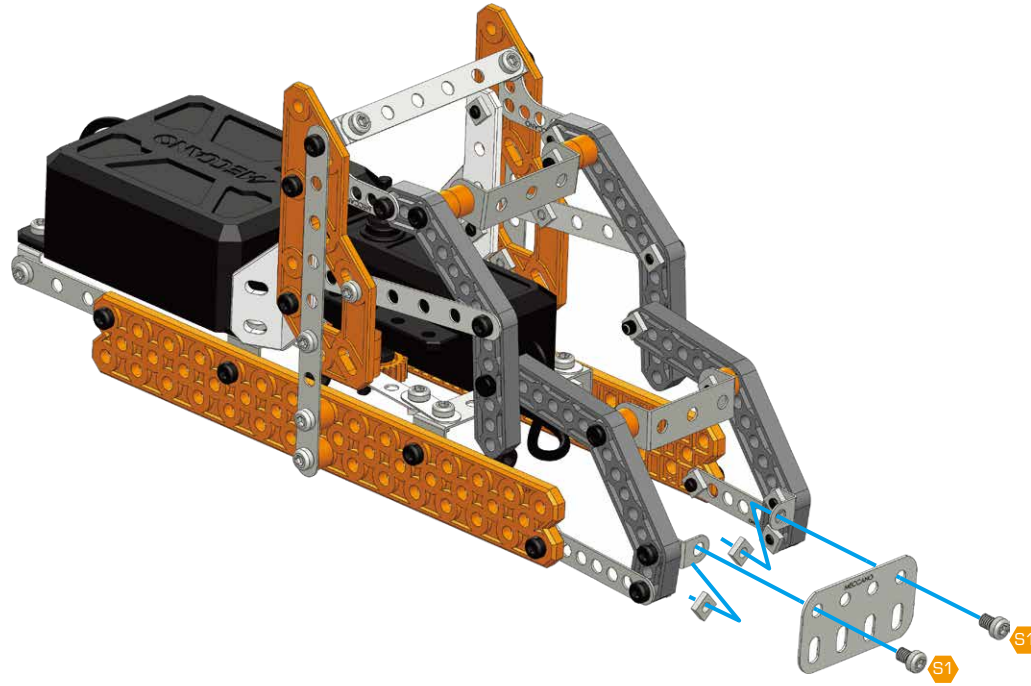
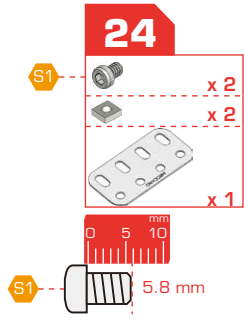


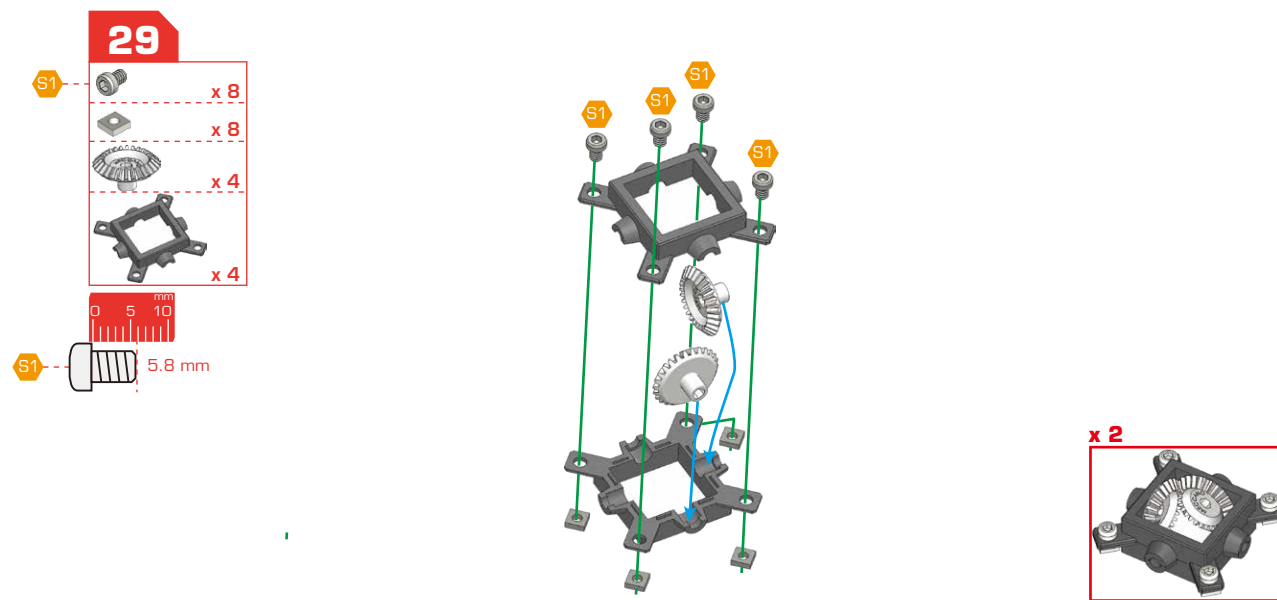
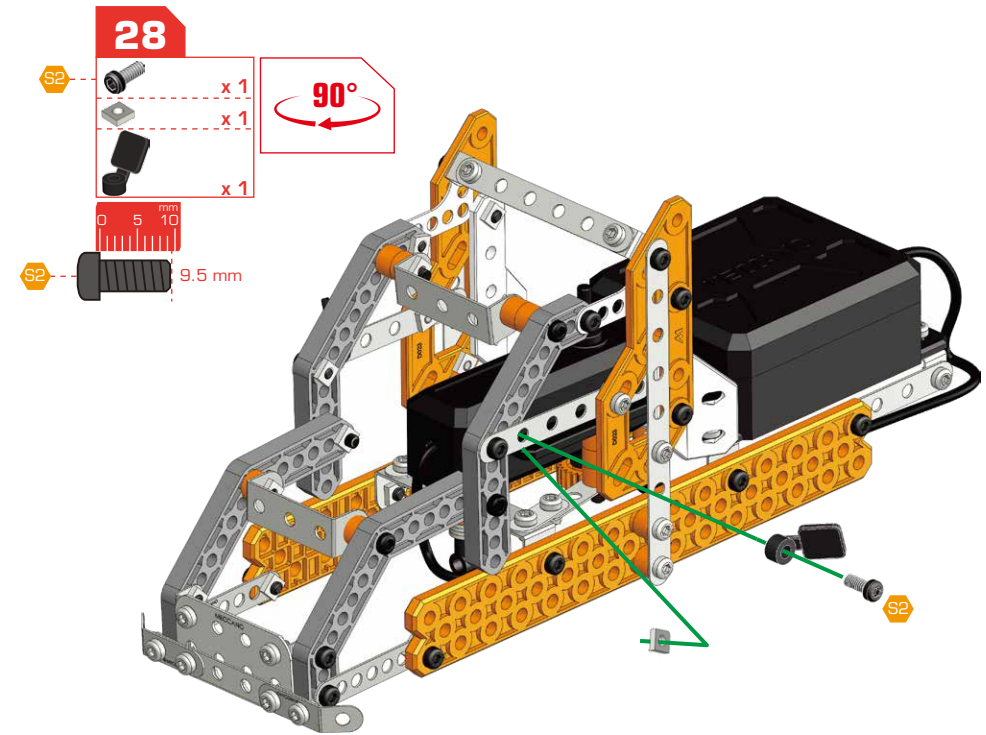
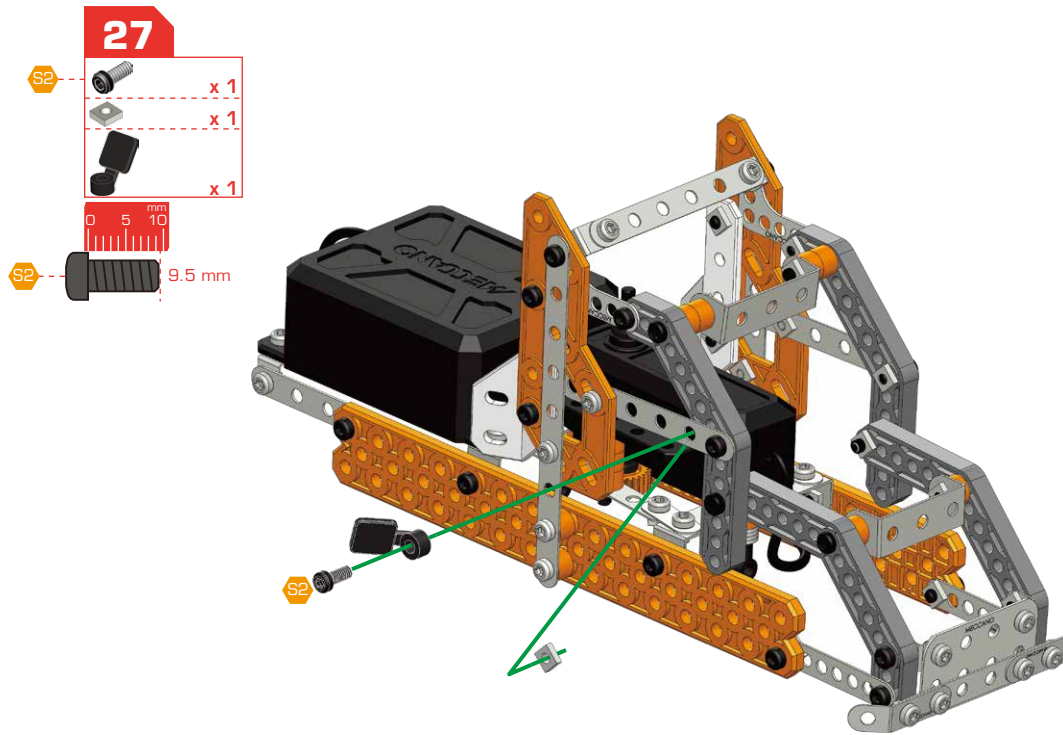
21

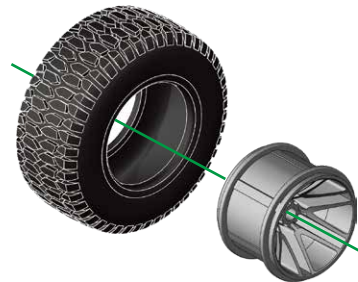
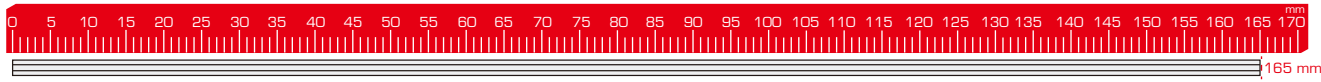
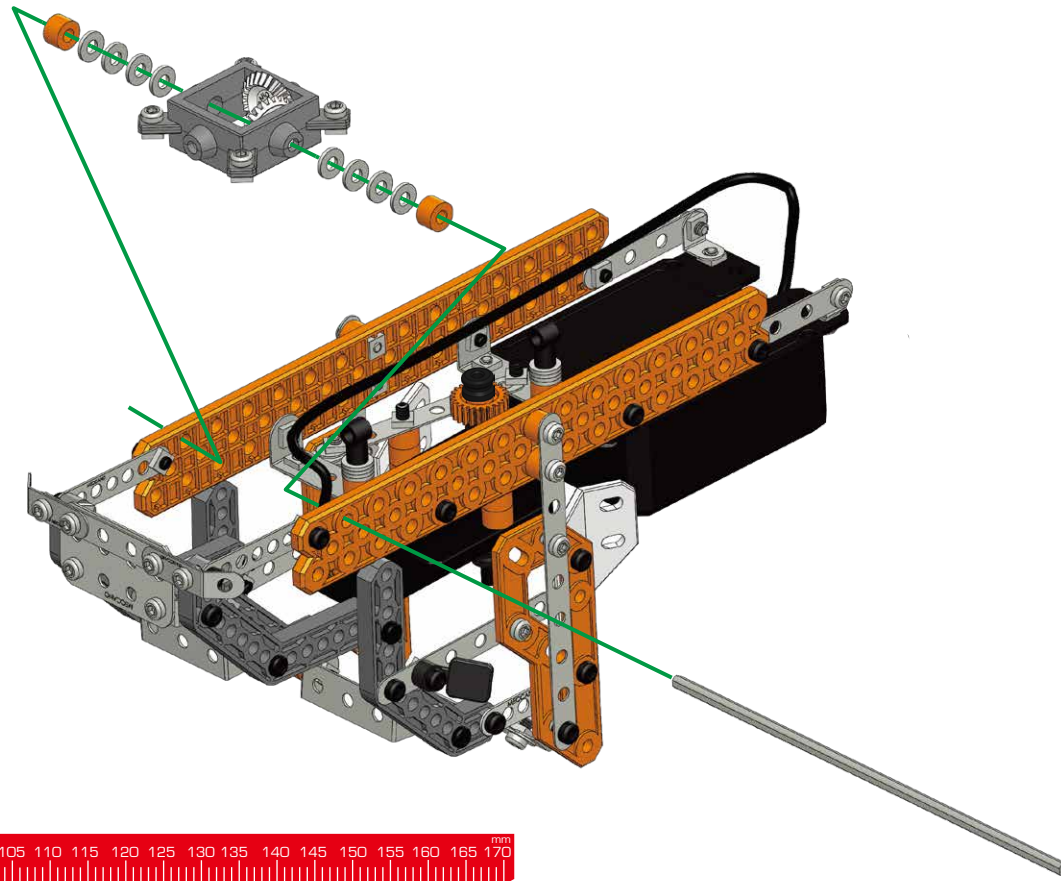
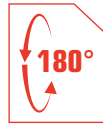
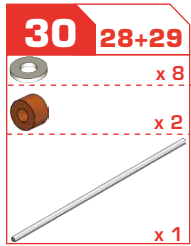
- S2 x 2
 - S4 x 2
 - x 4
 - x 2
- 
- S2 9.5 mm
- S4 19 mm



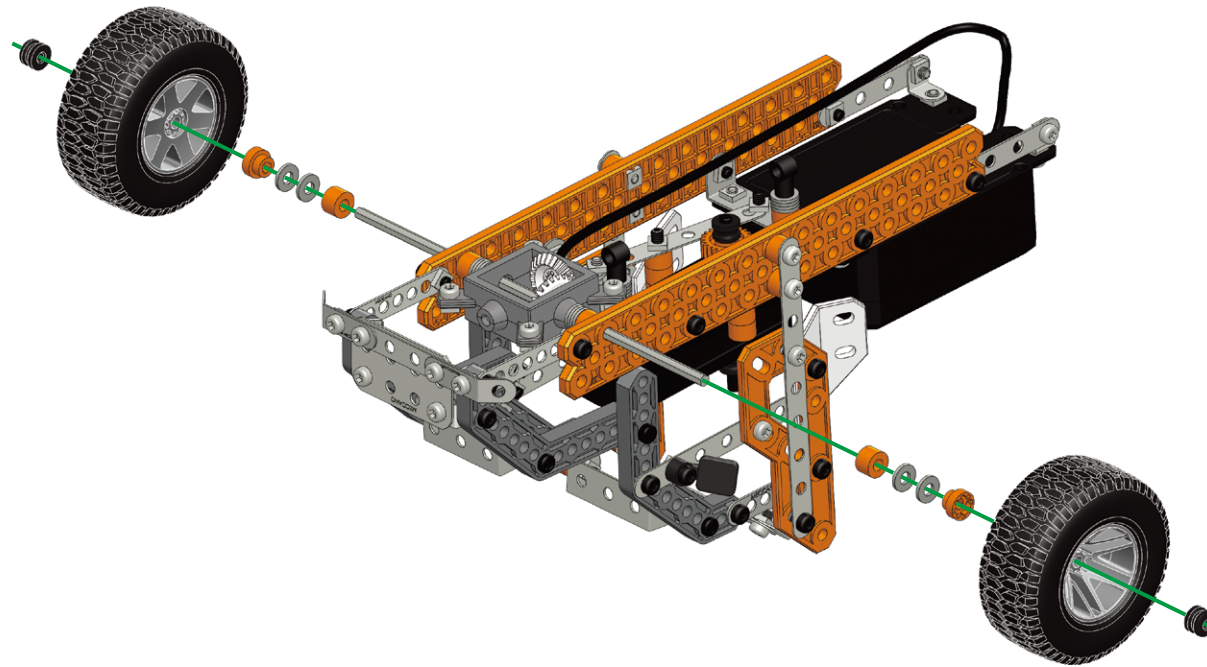






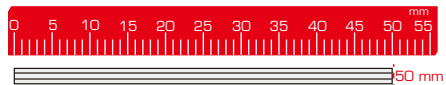
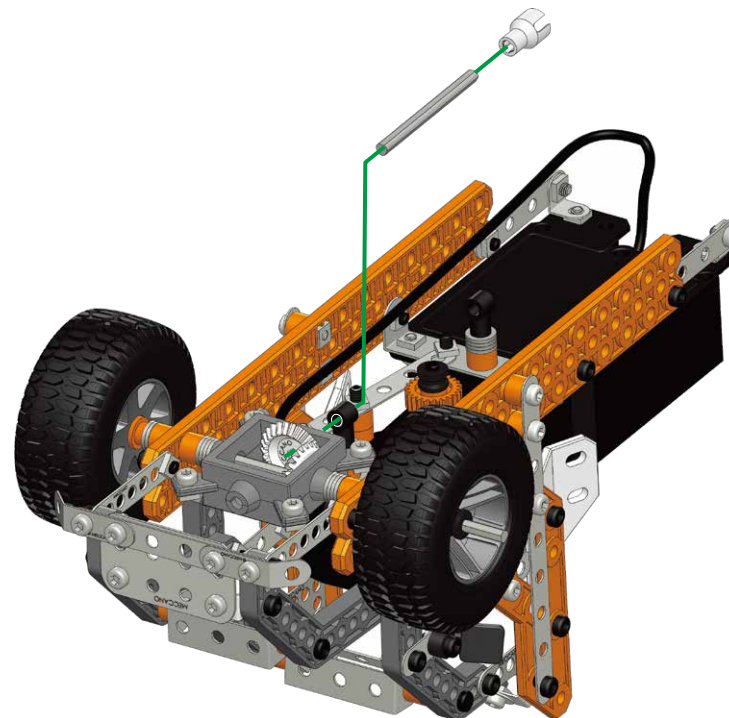









| | |
|---|--------------|
| 32 | 30+31 |
|  | x 4 |
|  | x 2 |
|  | x 4 |
|  | x 2 |

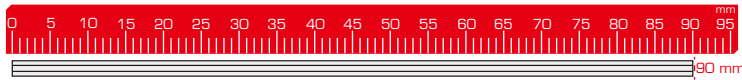
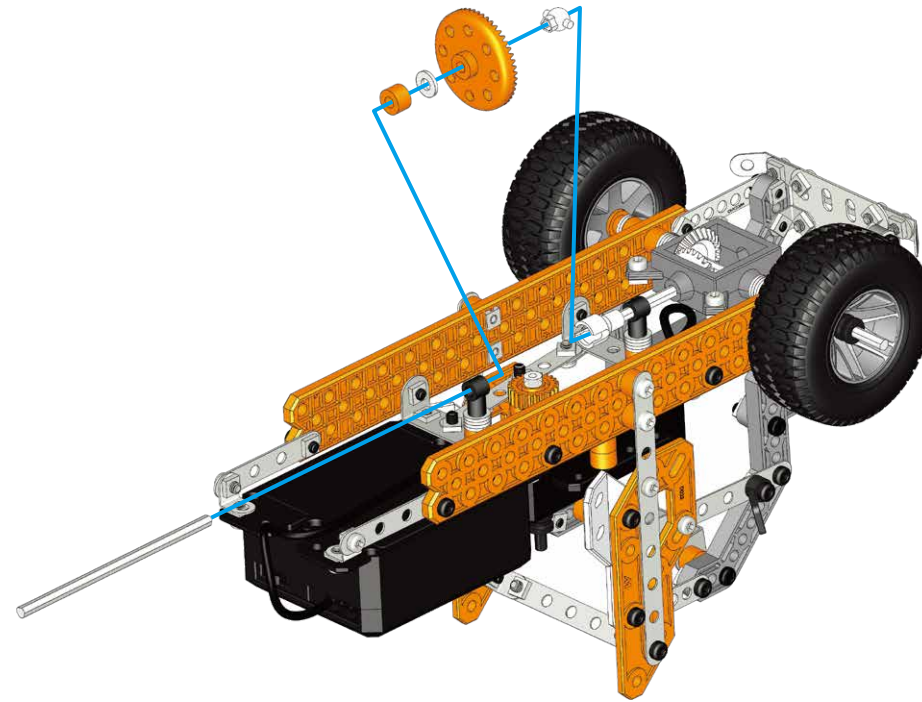


| | |
|---|-----|
| 33 | |
|  | x 1 |
|  | x 1 |



34

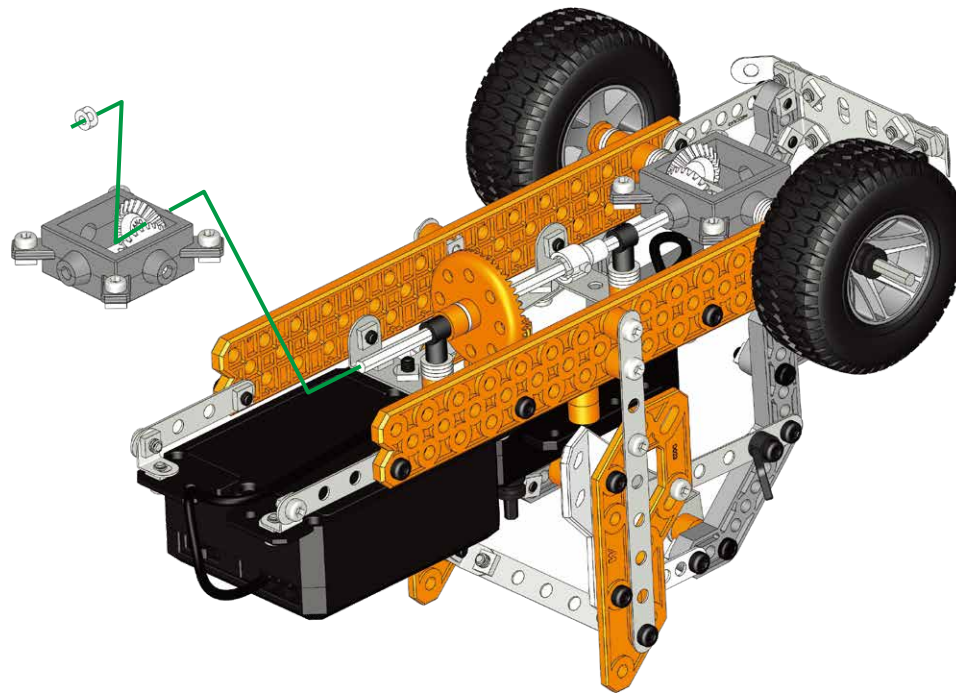
-  x 1
-  x 1
-  x 1
-  x 1
-  x 1






35

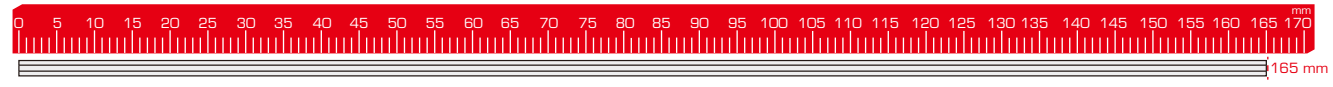
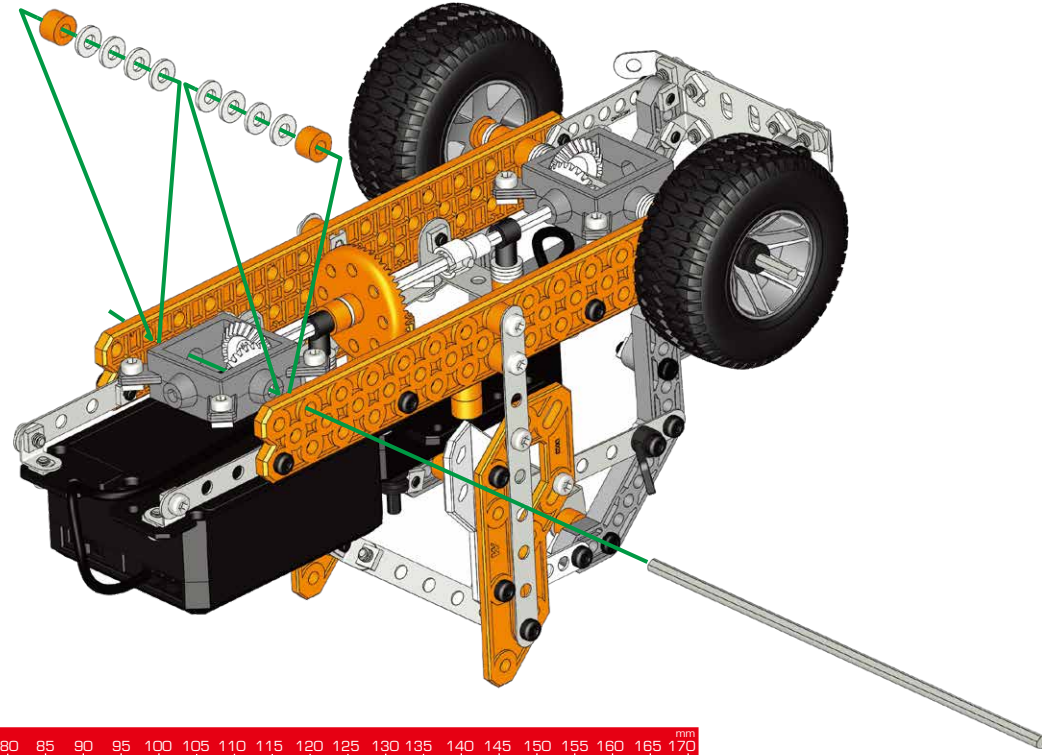
29+34

x 1







36

-  x 8
-  x 2
-  x 1



37

31+36

-  x 4
-  x 2
-  x 2
-  x 2

