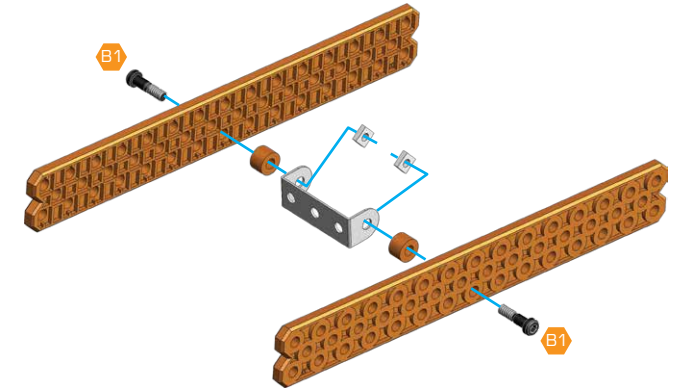
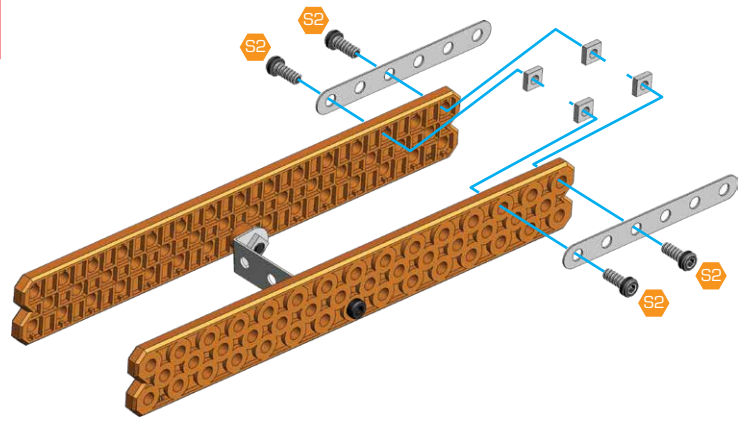


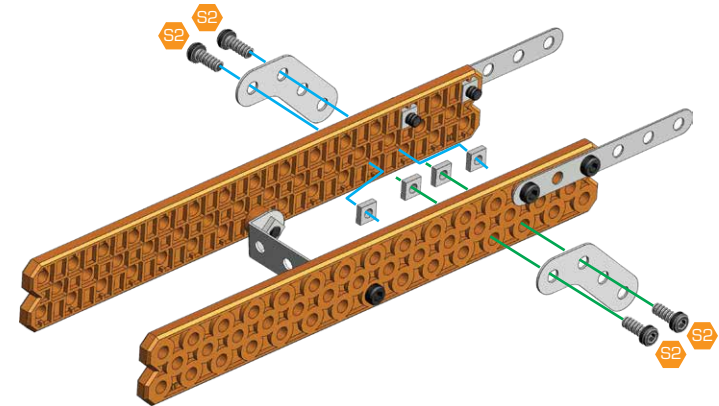
- 1**
- B1 x 2
  - x 2
  - x 2
  - x 1
  - x 2
- 0 5 10 15 20 mm
- B1 14.7 mm

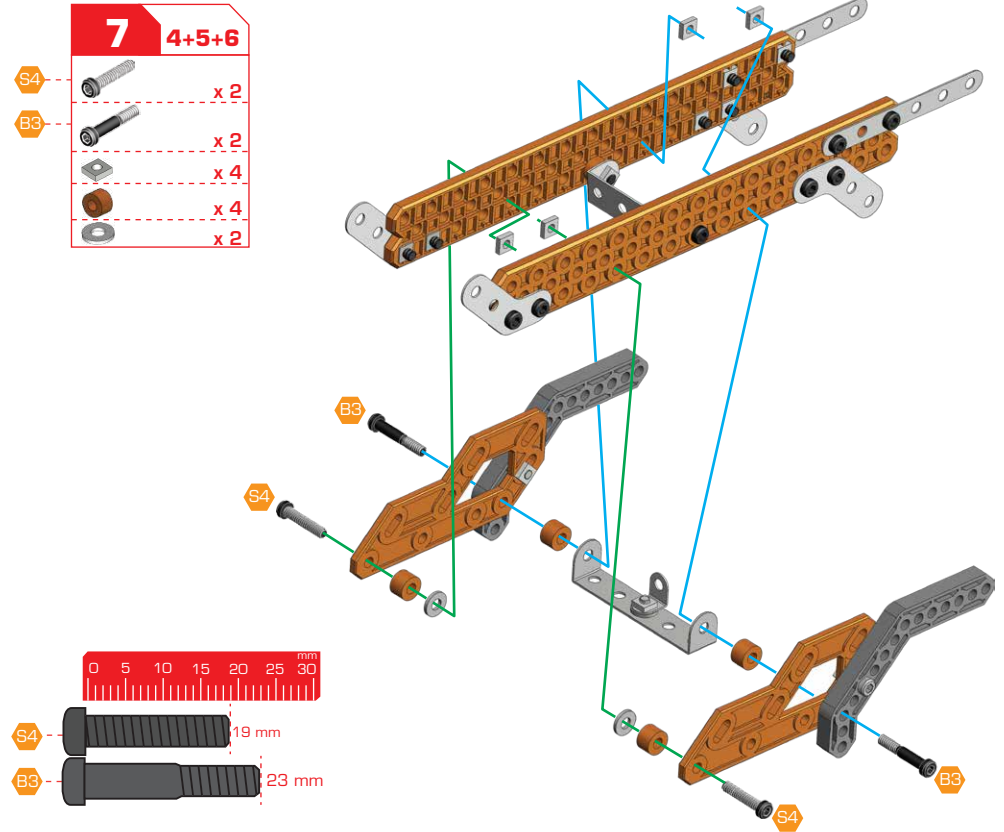
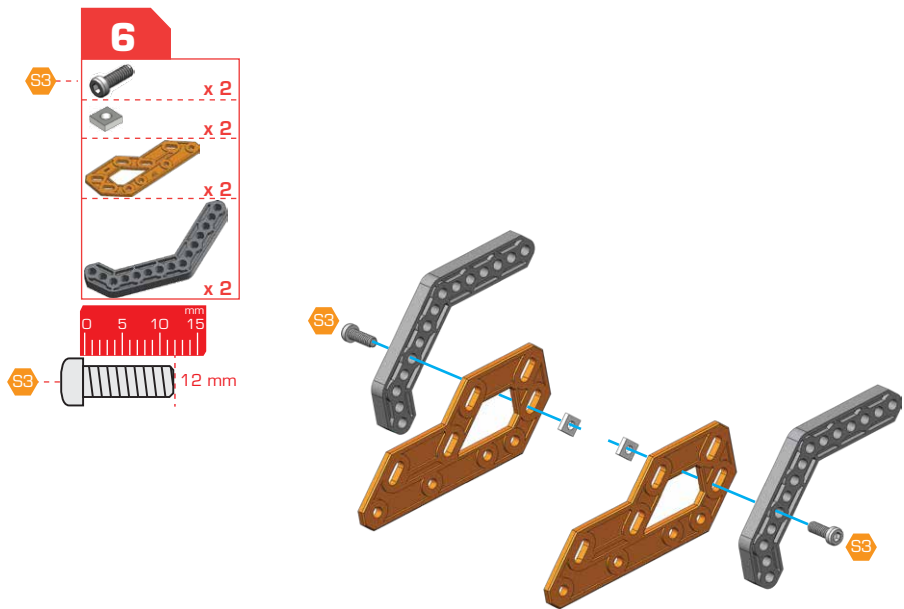
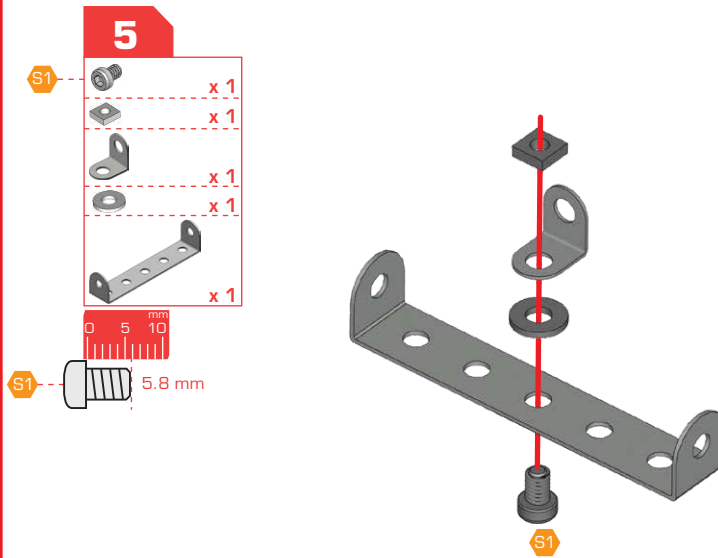
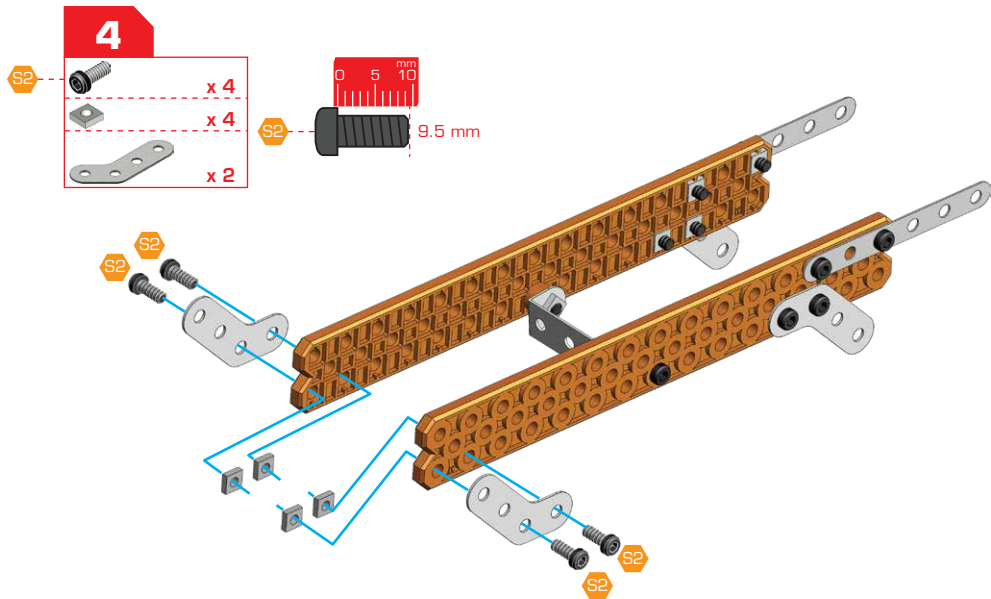


- 2**
- S2 x 4
  - x 4
  - x 2
- 0 5 10 mm
- S2 9.5 mm








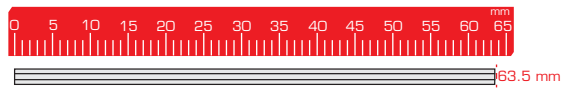
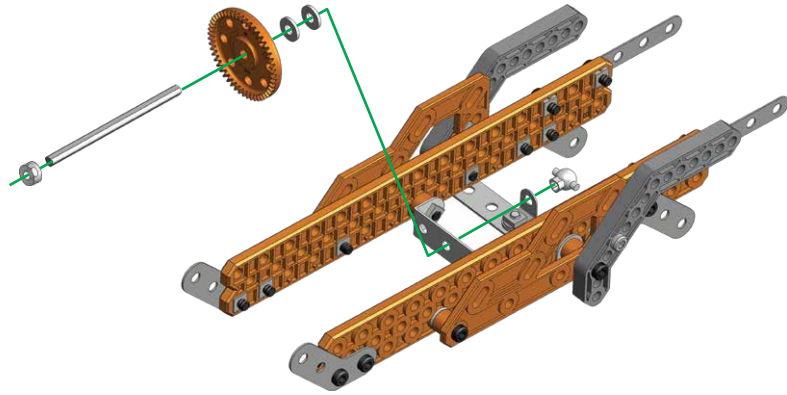
- 3**
- S2 x 4
  - x 4
  - x 2
- 0 5 10 mm
- S2 9.5 mm










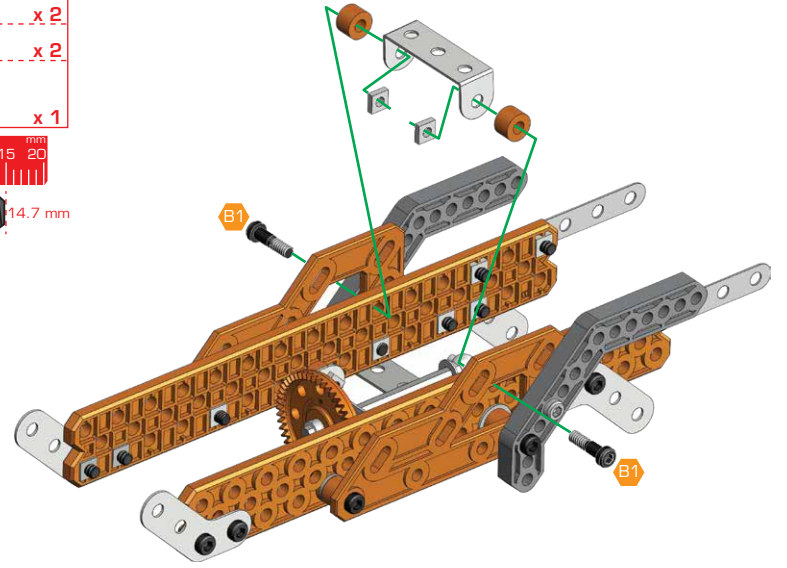
8

-  x 1
-  x 2
-  x 1
-  x 1
-  x 1







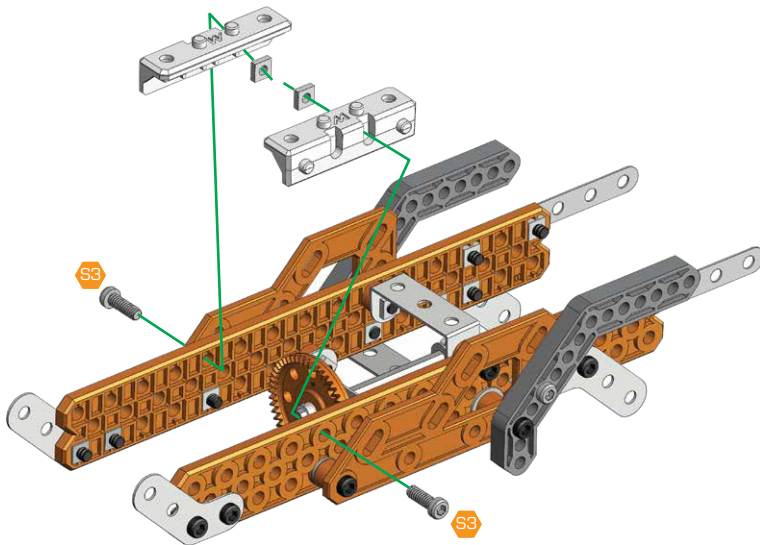
9

-  x 2
-  x 2
-  x 2
-  x 1
-  14.7 mm






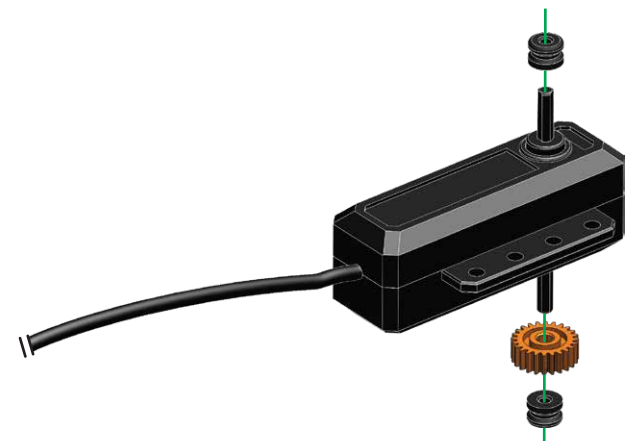
10

-  x 2
-  x 2
-  x 2
-  12 mm



11

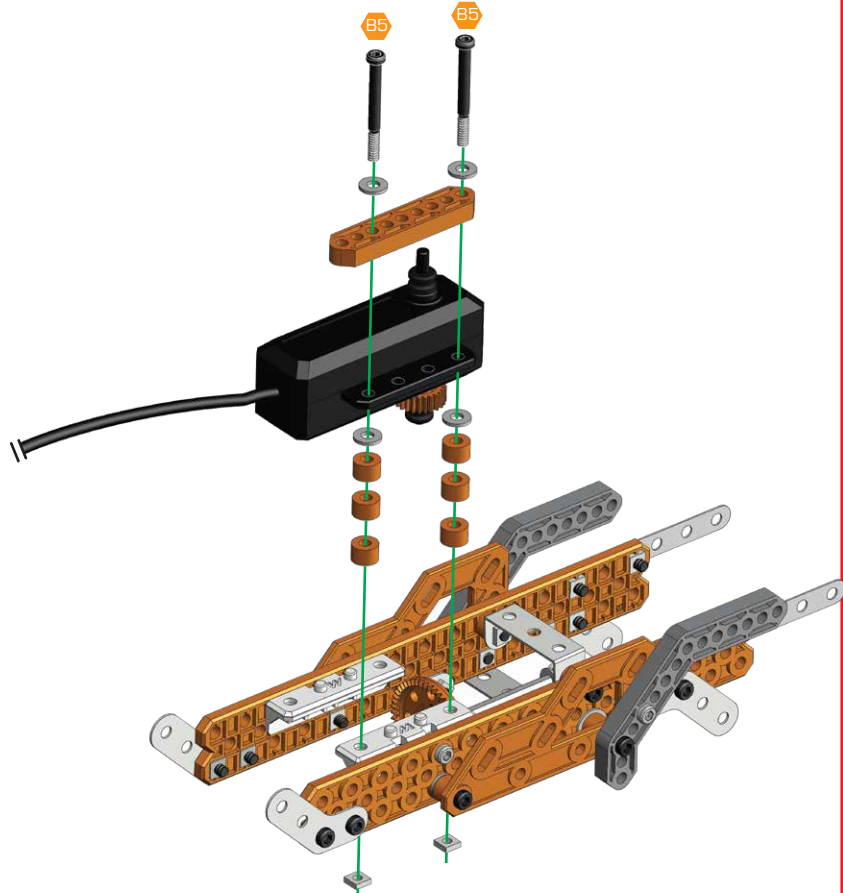
-  x 2
-  x 1
-  x 1



**12** 10+11

- x 2
- x 2
- x 6
- x 4
- x 1

38.1 mm

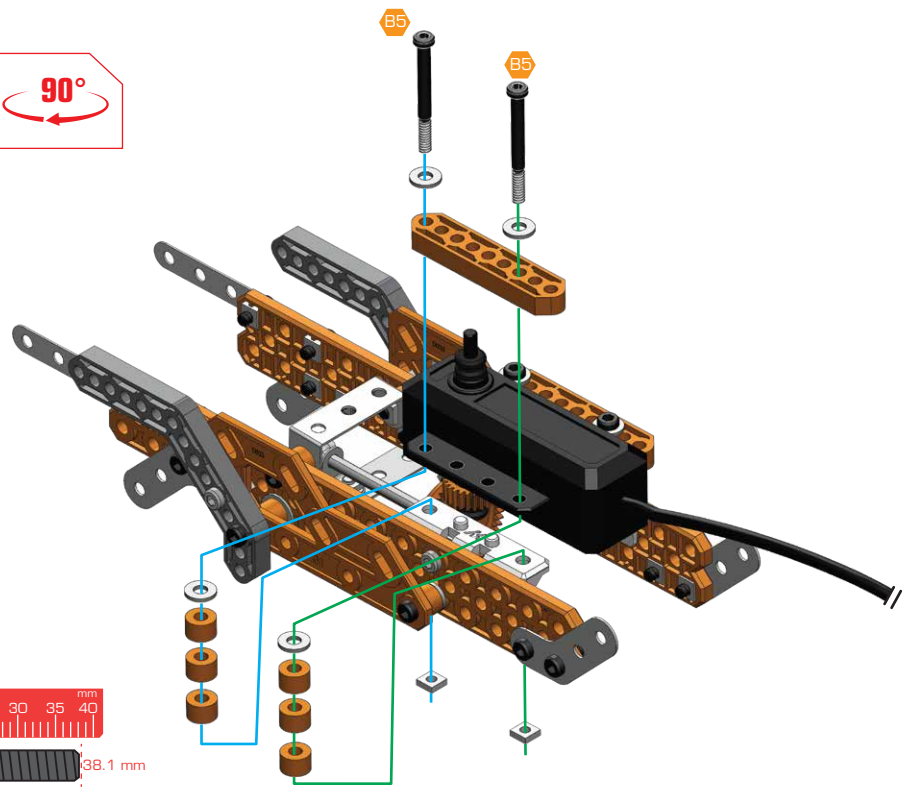


**13**

- x 2
- x 2
- x 6
- x 4
- x 1

90°

38.1 mm

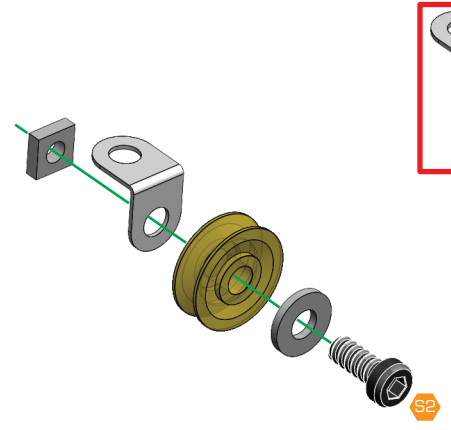


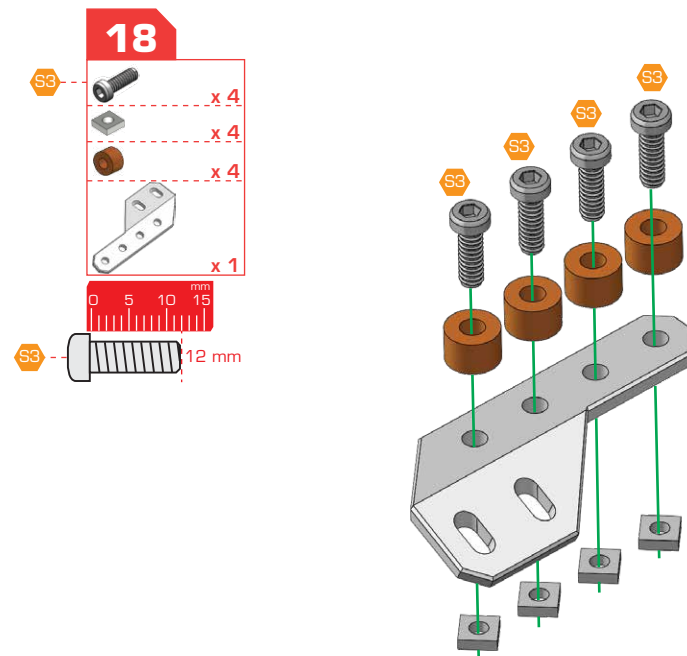
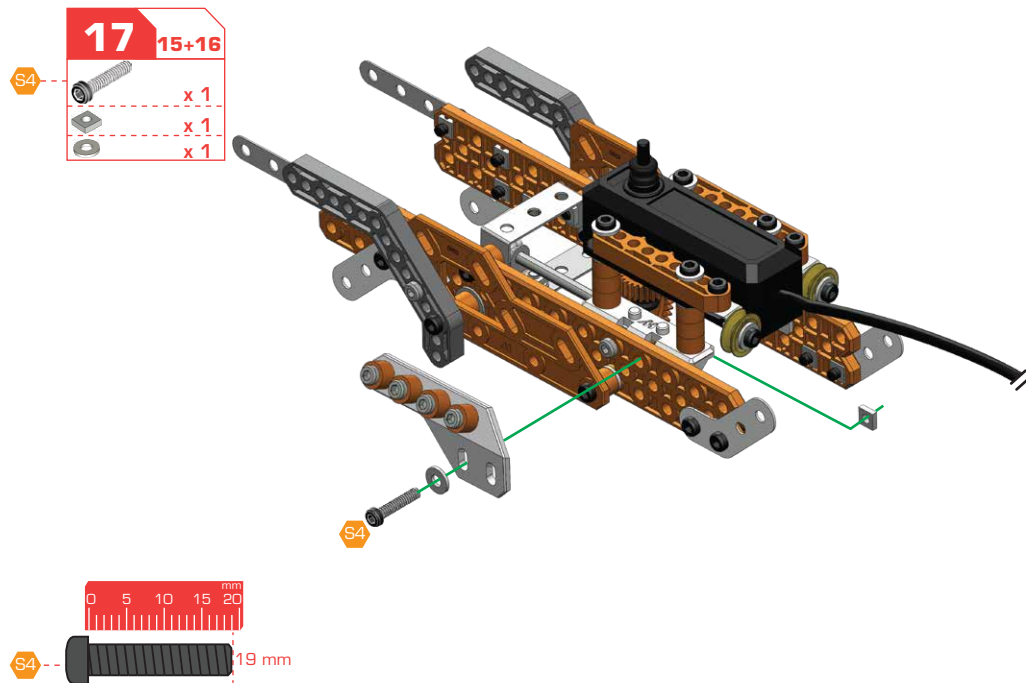
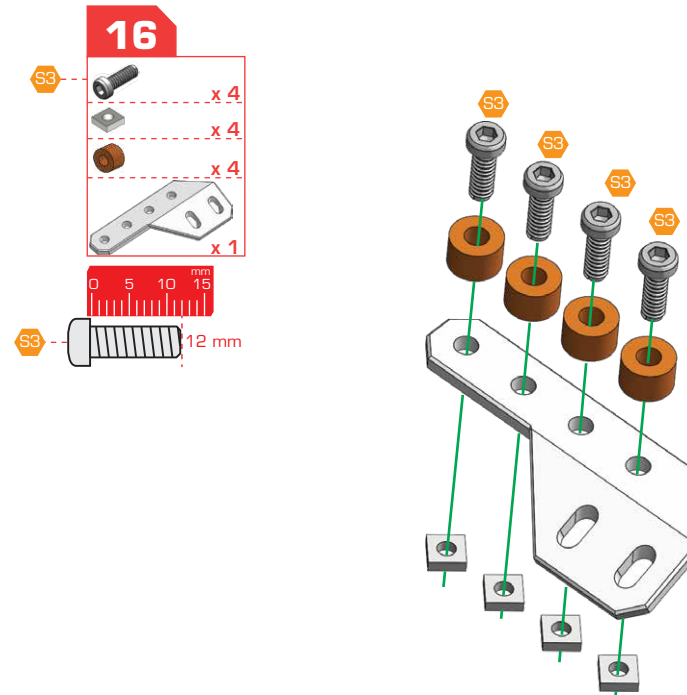
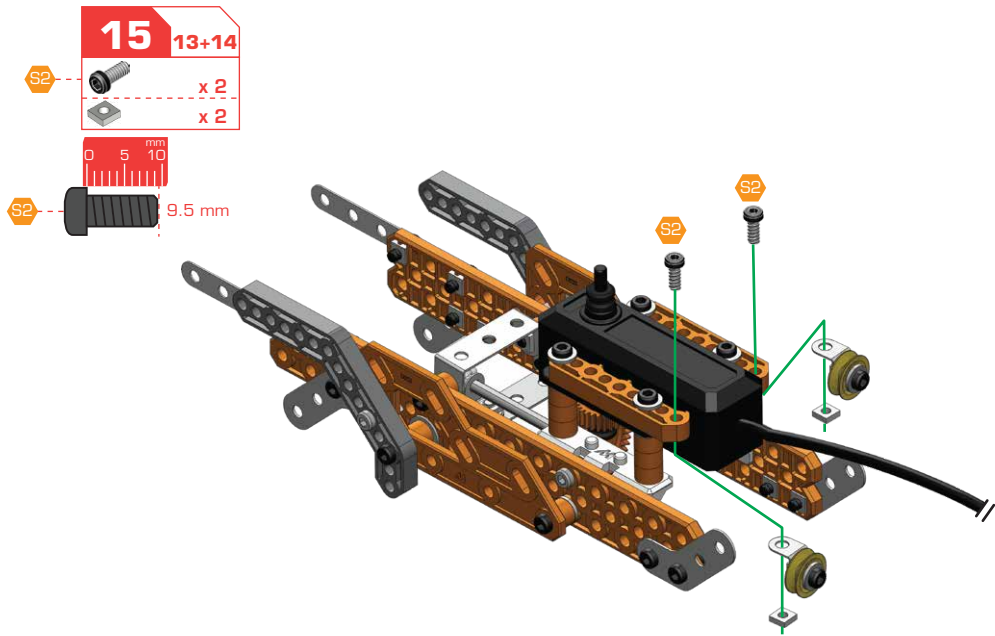
**14**

- x 2
- x 2
- x 2
- x 2
- x 2

9.5 mm

x2

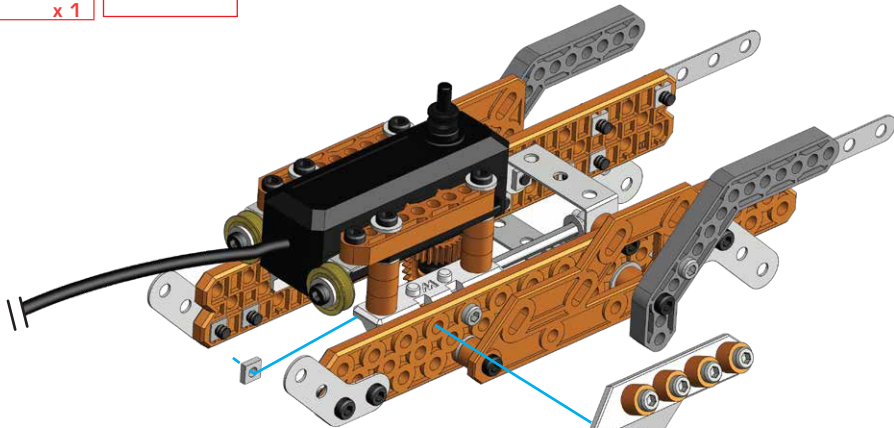




**19** 17+18

	x 1
	x 1
	x 1
	x 1

90°



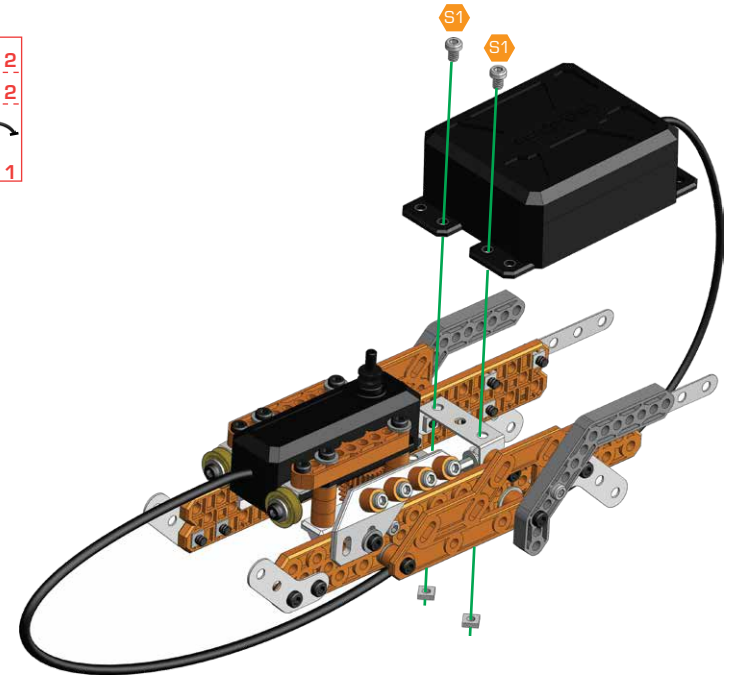
**S4**

19 mm

**20**

	x 2
	x 2
	x 1

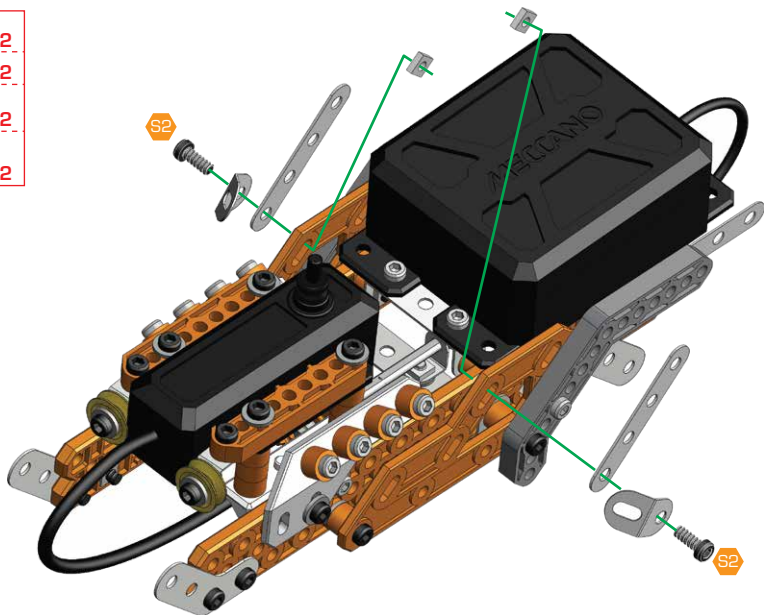
5.8 mm



**21**

	x 2
	x 2
	x 2
	x 2

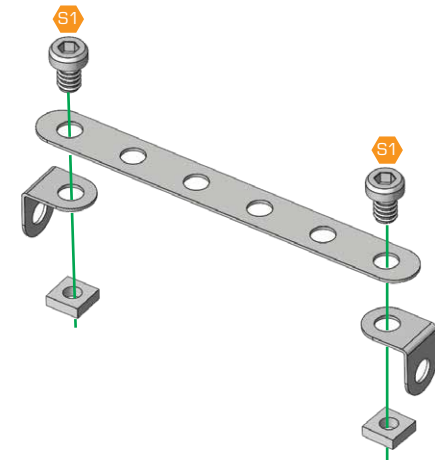
9.5 mm



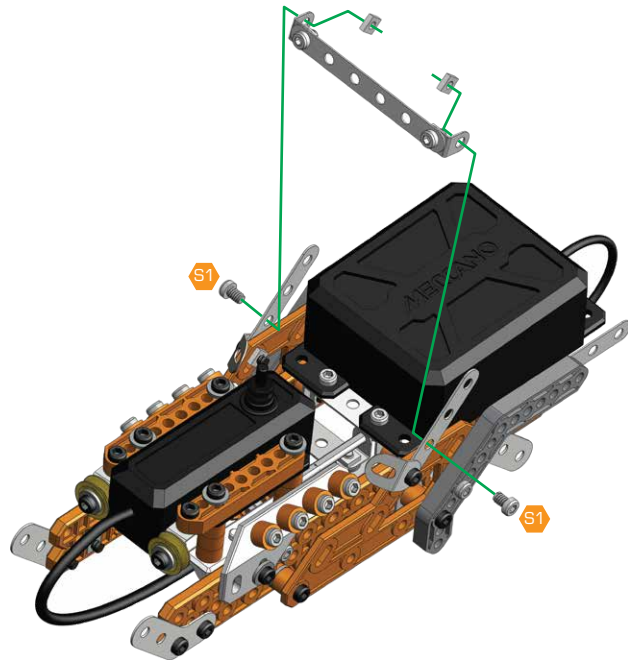
**22**

	x 6
	x 6
	x 6
	x 3

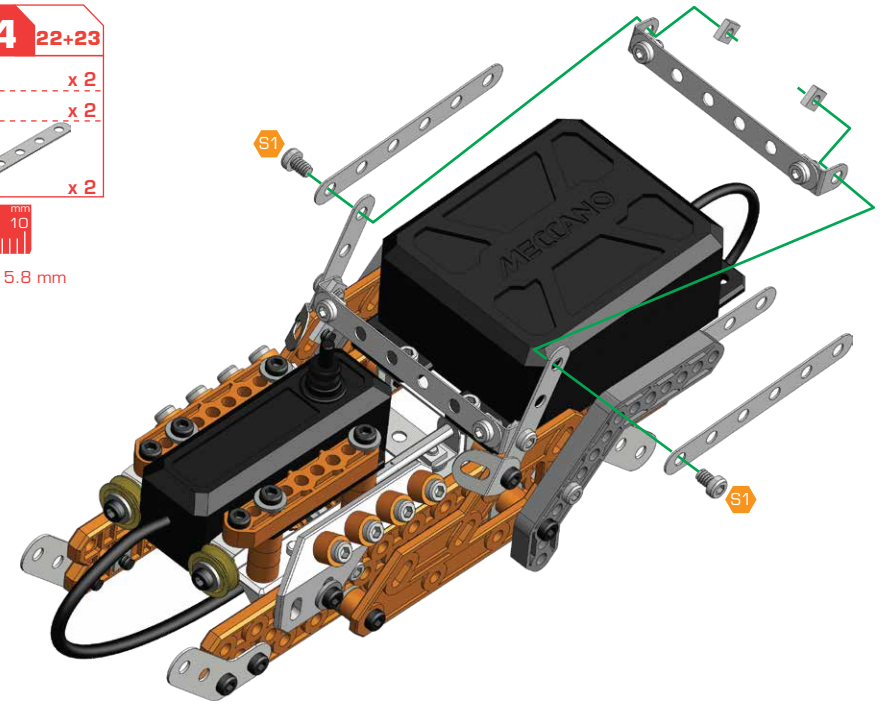
5.8 mm



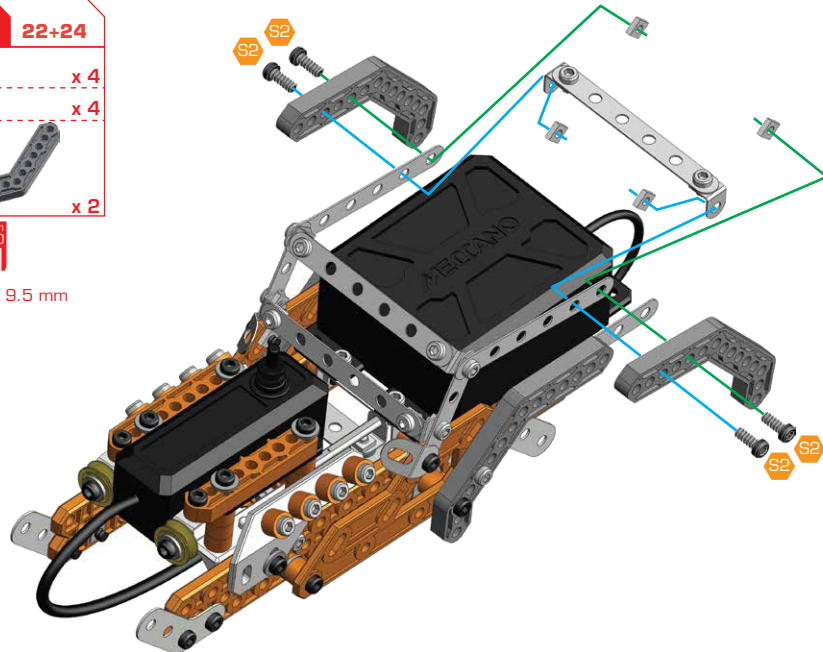
- 23** 21+22
- S1 x 2
  - x 2
- 0 5 10 mm
- S1 5.8 mm



- 24** 22+23
- S1 x 2
  - x 2
- 0 5 10 mm
- S1 5.8 mm

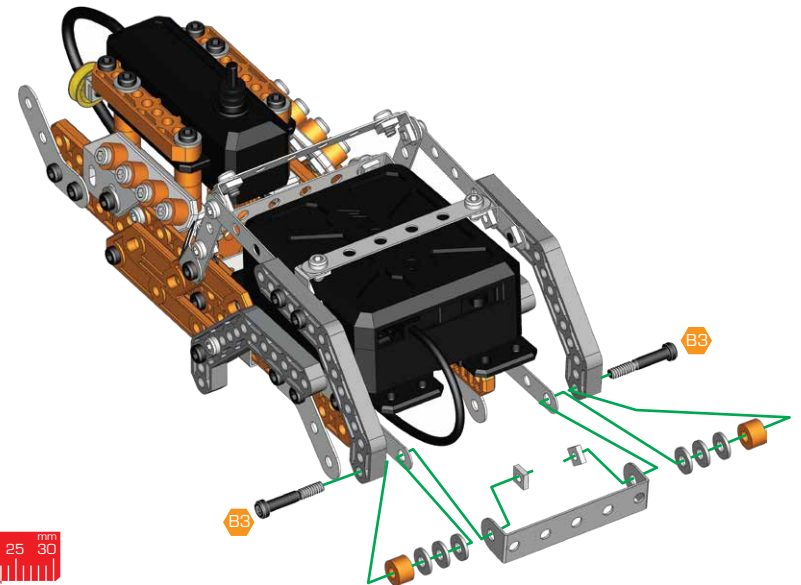


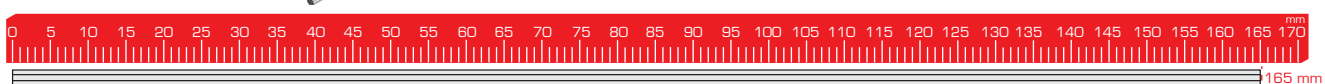
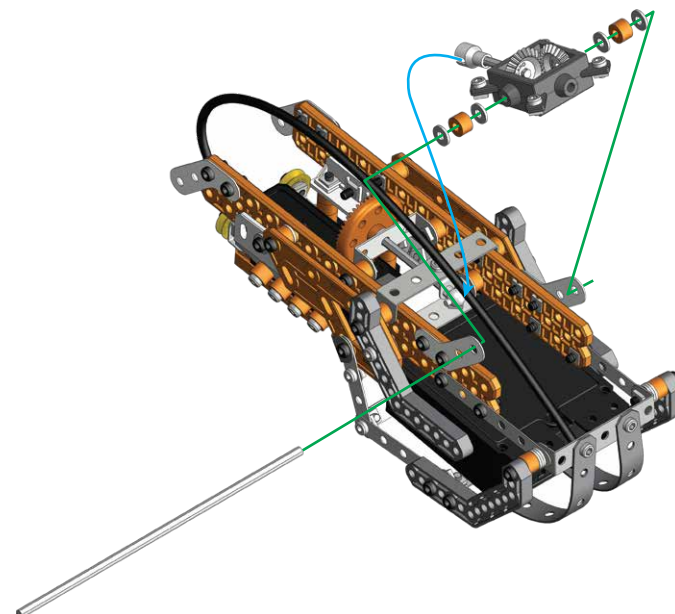
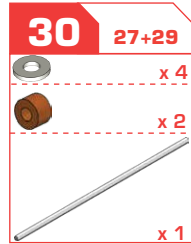
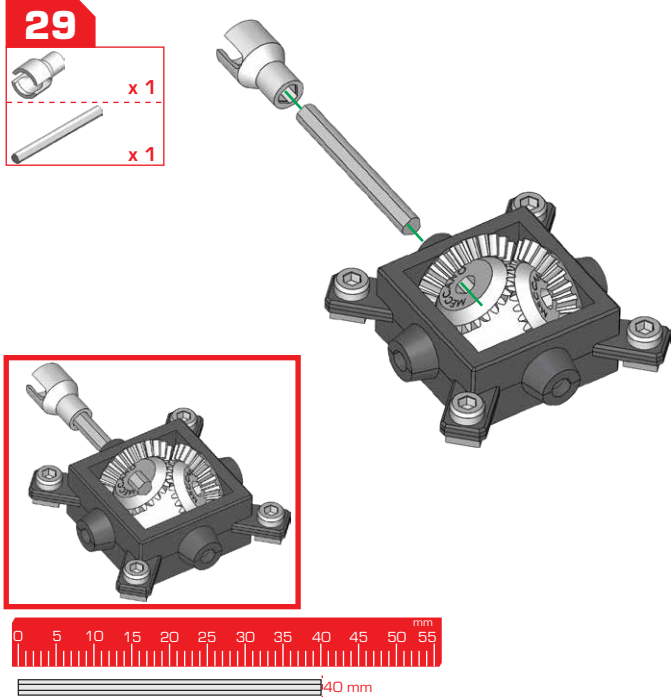
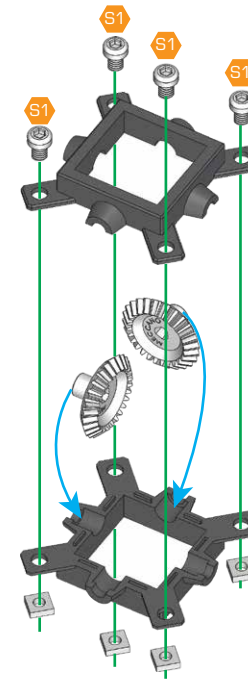
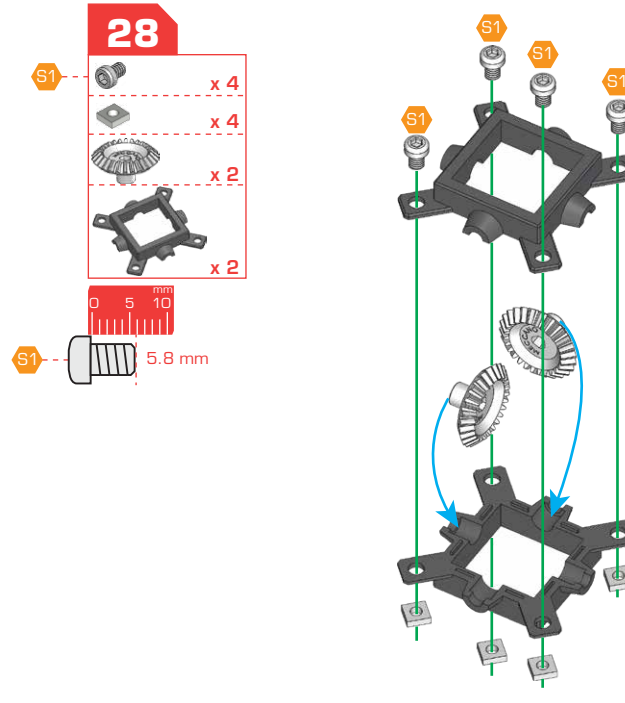
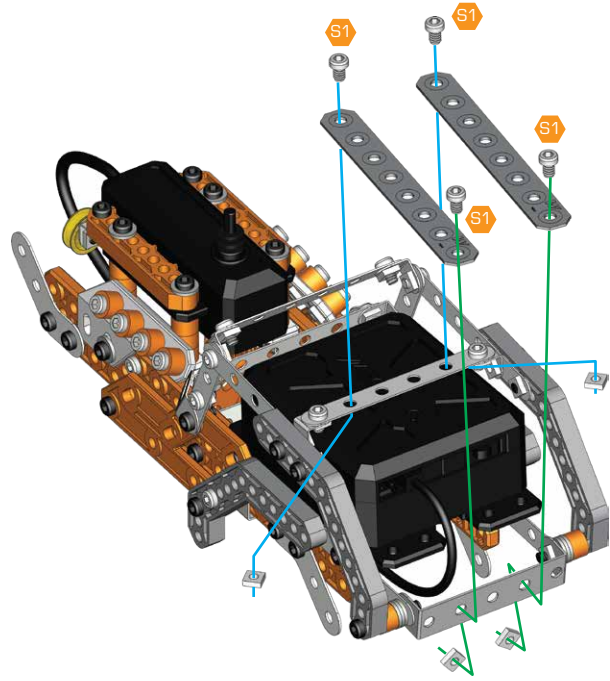
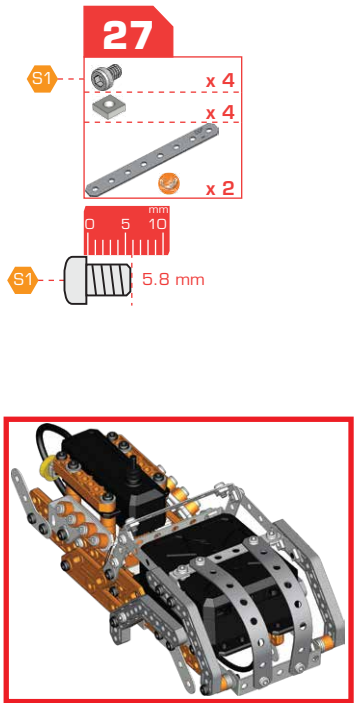
- 25** 22+24
- S2 x 4
  - x 4
- 0 5 10 mm
- S2 9.5 mm



- 26**
- B3 x 2
  - x 2
  - x 2
  - x 6
  - x 1
- 90°

- 0 5 10 15 20 25 30 mm
- B3 23 mm



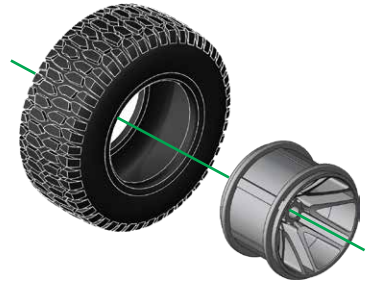




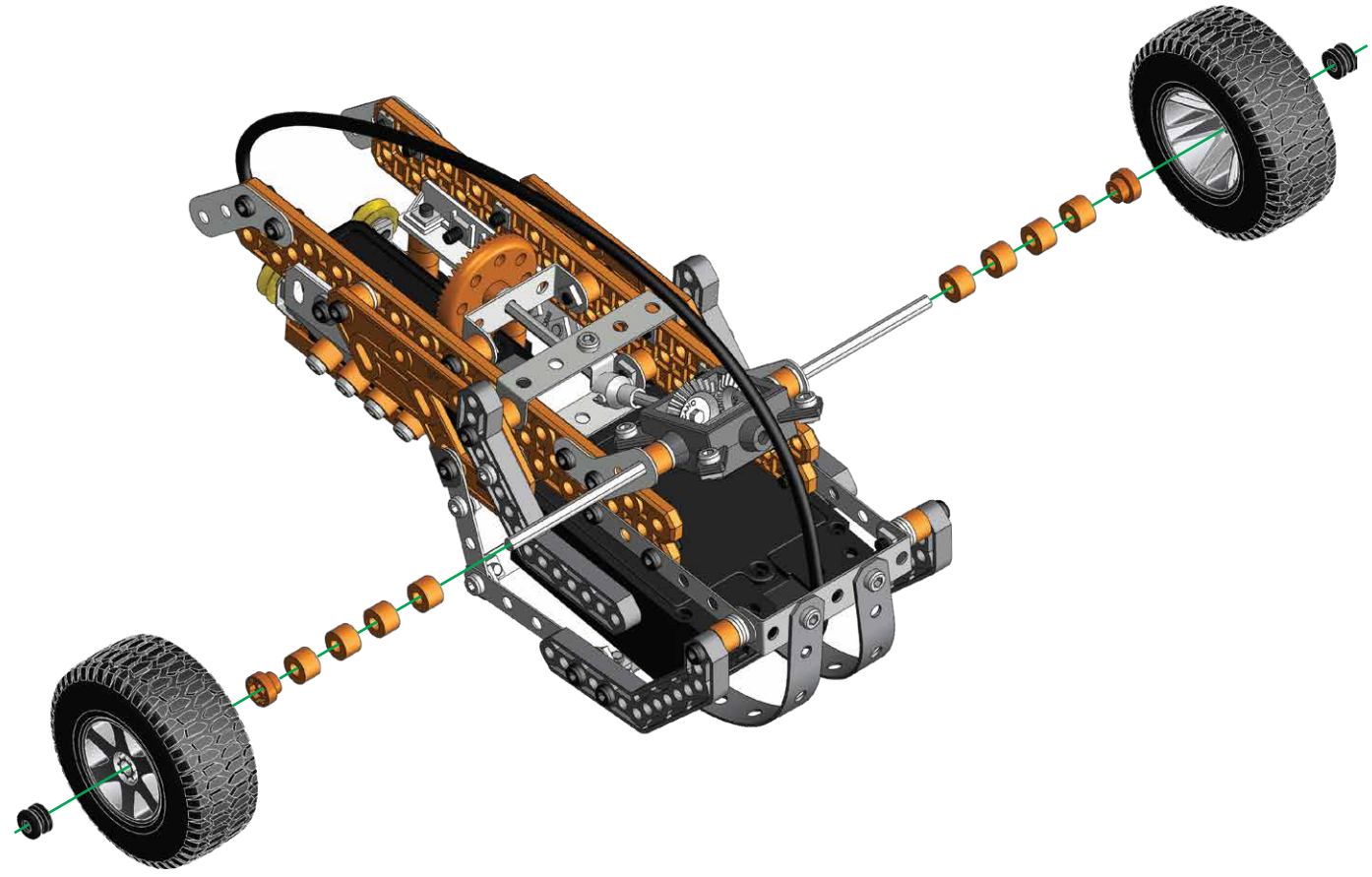
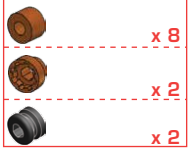
**31**



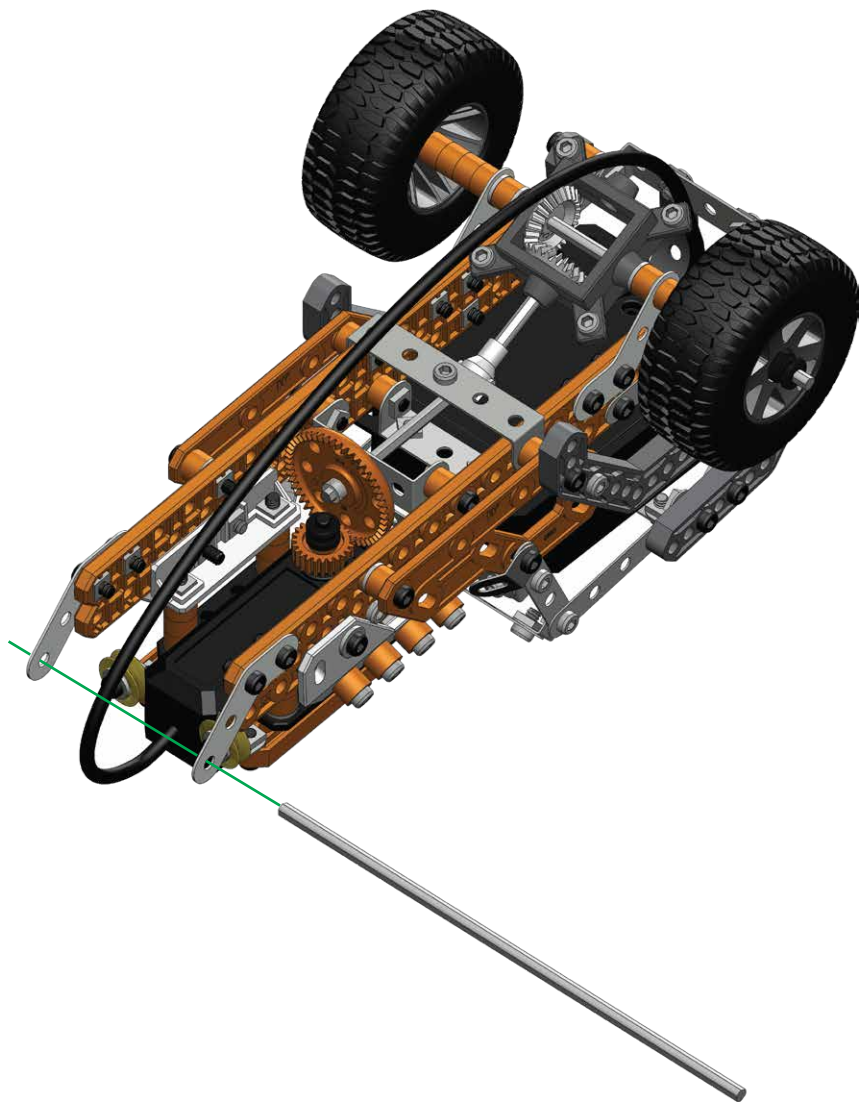
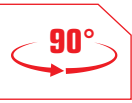
**x 4**



**32** 30+31





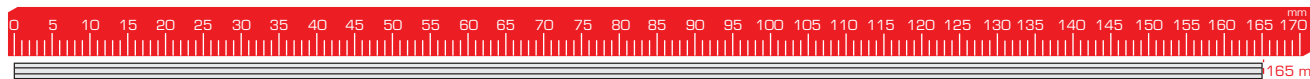
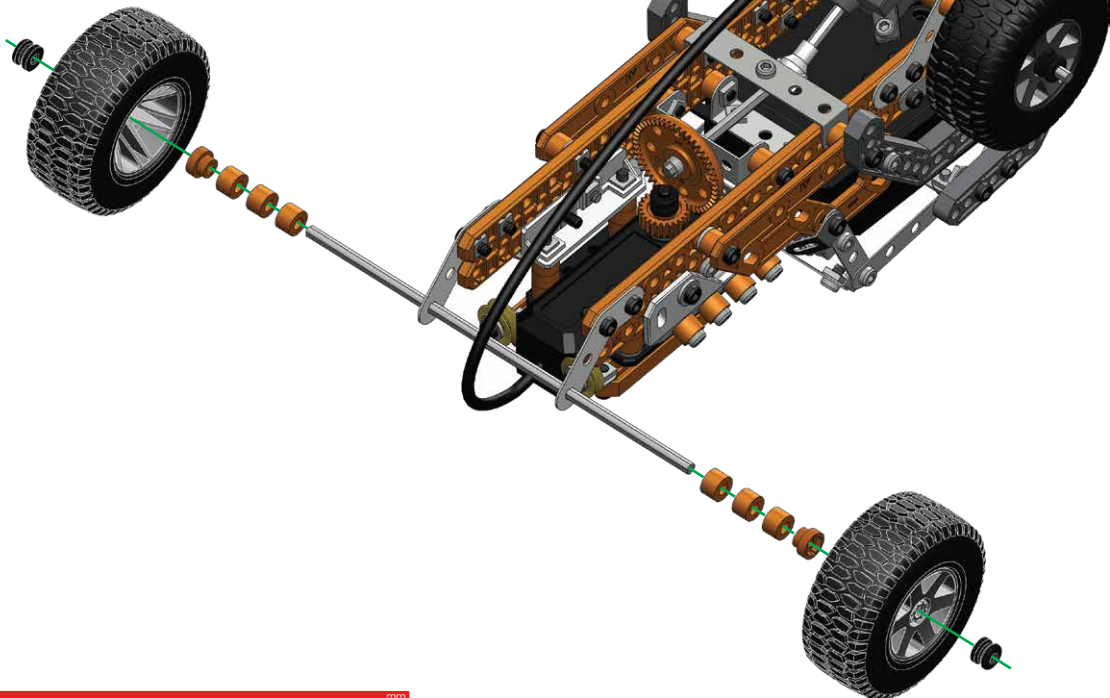
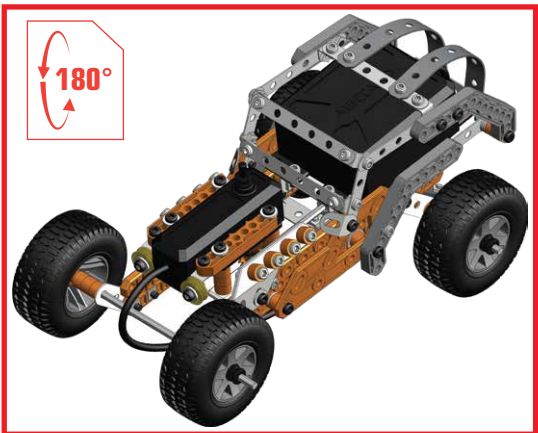
33



34

31+33

-  x 6
-  x 2
-  x 2



165 mm