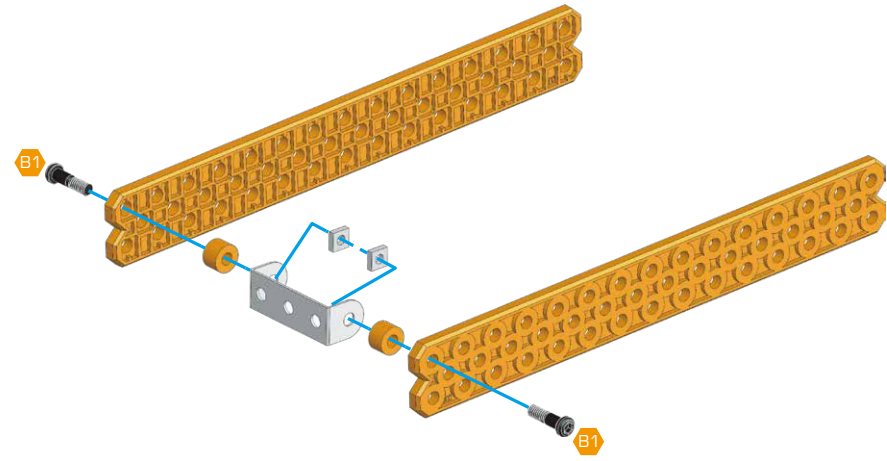


1

- B1 x 2
- x 2
- x 2
- x 1
- x 2

14.7 mm

B1

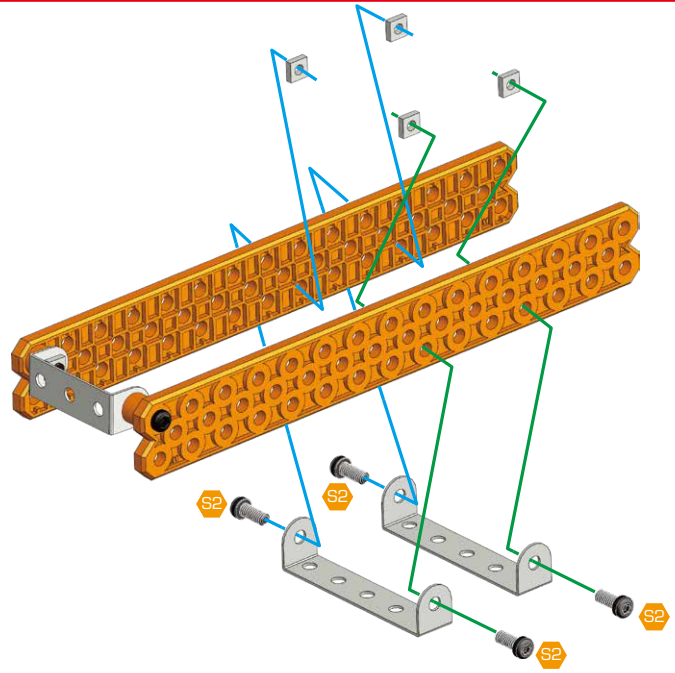


2









- S2 x 4
- x 4
- x 2

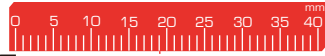
9.5 mm



S2

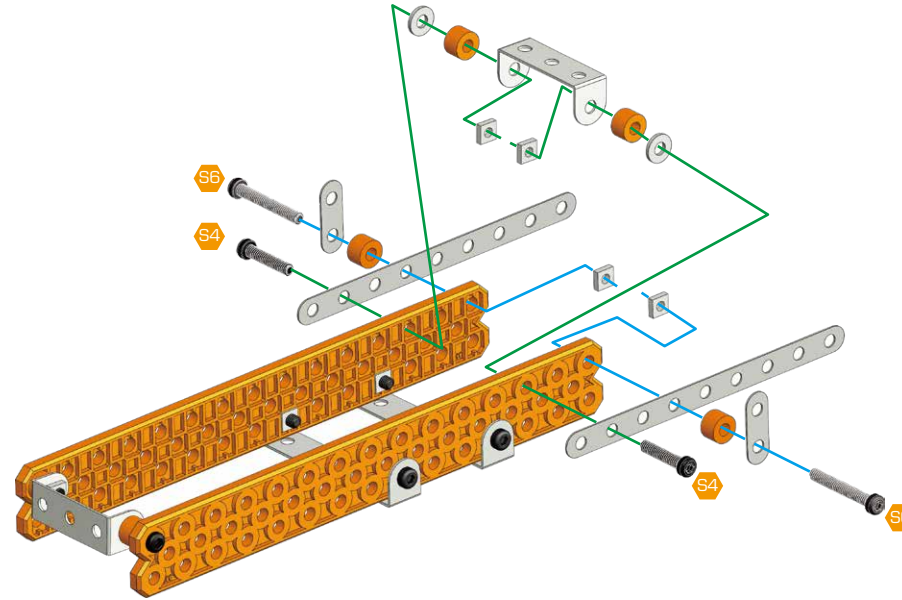


3






	x 2
	x 2
	x 4
	x 2
	x 4
	x 2
	x 1
	x 2

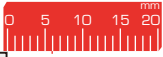




	19 mm
	28 mm

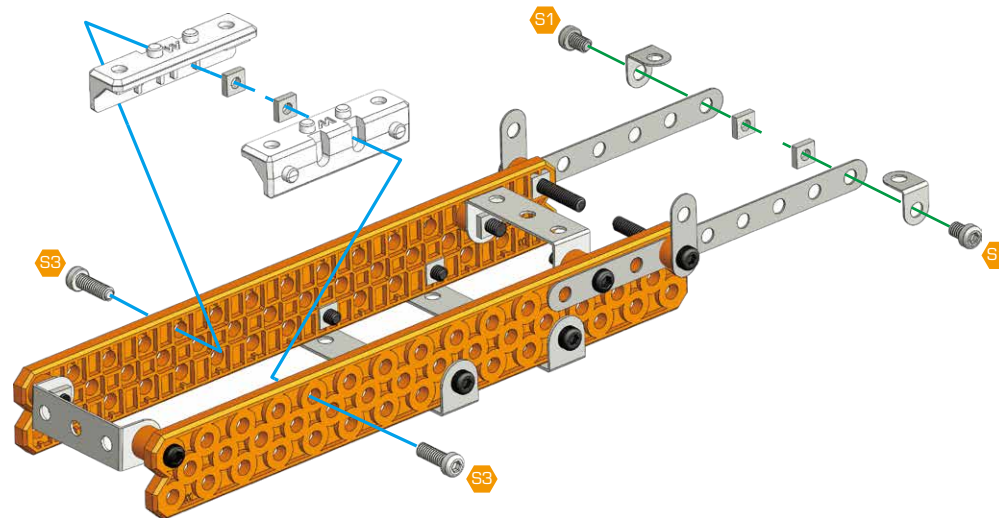


4







	x 2
	x 2
	x 4
	x 2
	x 2

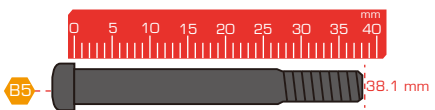
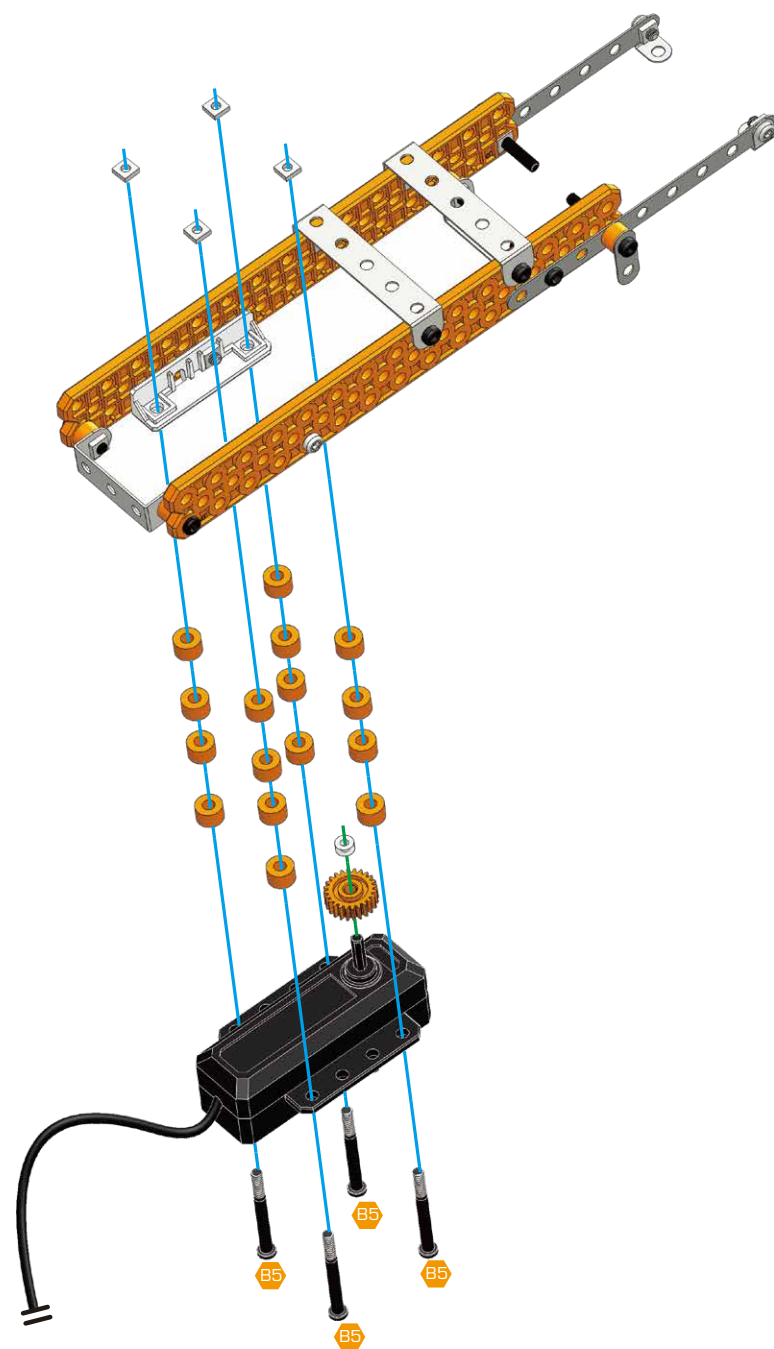


	5.8 mm
	12 mm



5

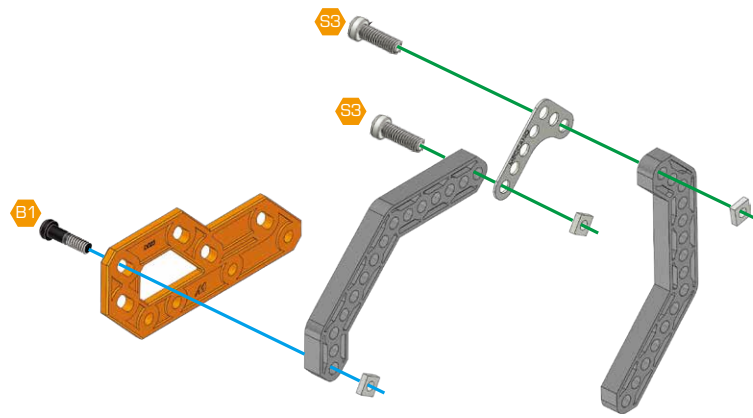
-  x 4
-  x 4
-  x 16
-  x 1
-  x 1
-  x 1



6

- S3 x 2
- B1 x 1
- x 3
- x 1
- x 2
- x 1

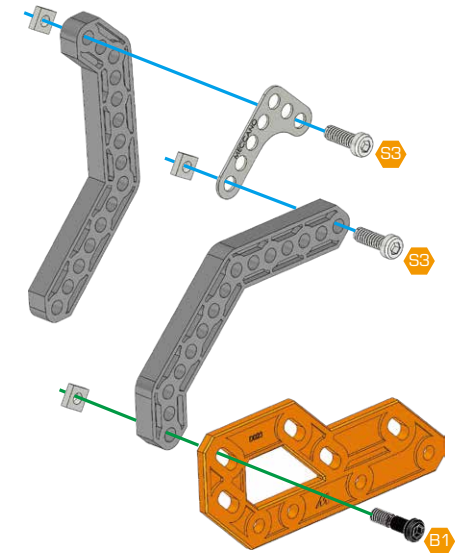
- S3 12 mm
- B1 14.7 mm



7

- S3 x 2
- B1 x 1
- x 3
- x 1
- x 2
- x 1

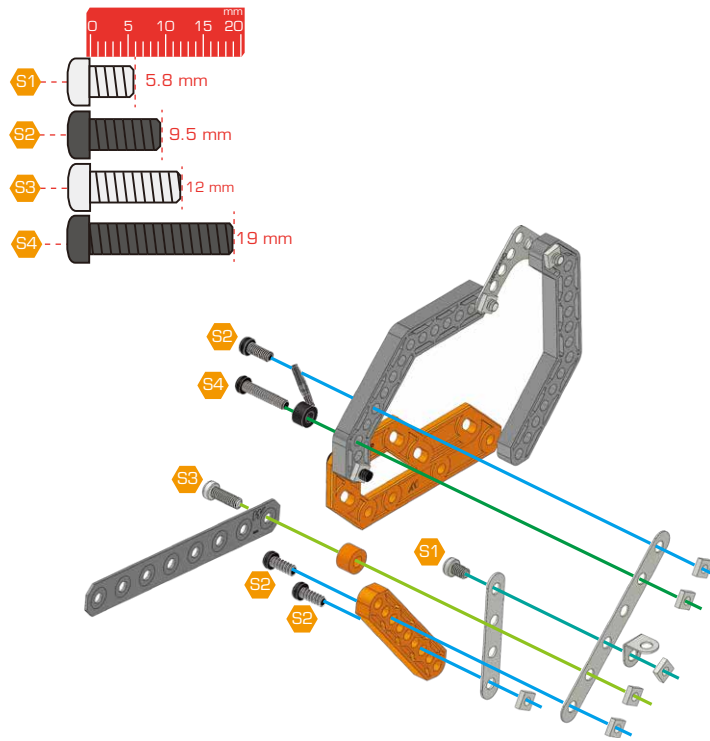
- S3 12 mm
- B1 14.7 mm



8 6+

- S1 x 1
- S2 x 3
- S3 x 1
- S4 x 1
- x 6
- x 1
- x 1
- x 1
- x 1
- x 1
- x 1
- x 1
- x 1
- x 1
- x 1
- x 1

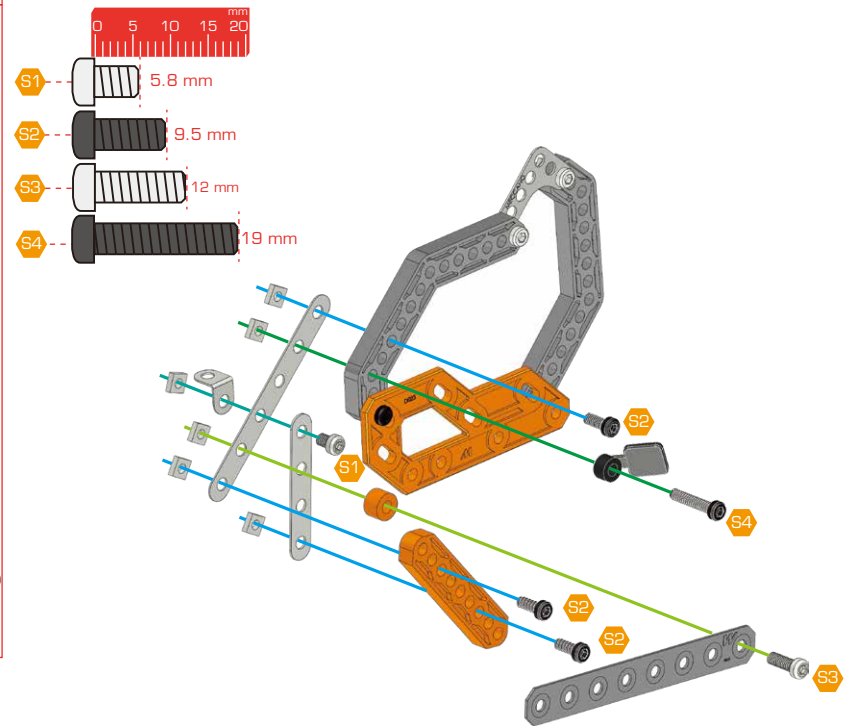
- S1 5.8 mm
- S2 9.5 mm
- S3 12 mm
- S4 19 mm



9 7+

- S1 x 1
- S2 x 3
- S3 x 1
- S4 x 1
- x 6
- x 1
- x 1
- x 1
- x 1
- x 1
- x 1
- x 1
- x 1
- x 1
- x 1
- x 1

- S1 5.8 mm
- S2 9.5 mm
- S3 12 mm
- S4 19 mm



10 5+8

S3	x 1
B3	x 1
	x 2
	x 1
	x 2

180°

0 5 10 15 20 25 30 mm

S3 12 mm

B3 23 mm



11 9+10

S3	x 1
B3	x 1
	x 2
	x 1
	x 2

0 5 10 15 20 25 30 mm

S3 12 mm

B3 23 mm

12

S1	x 4
	x 4
	x 2
	x 2

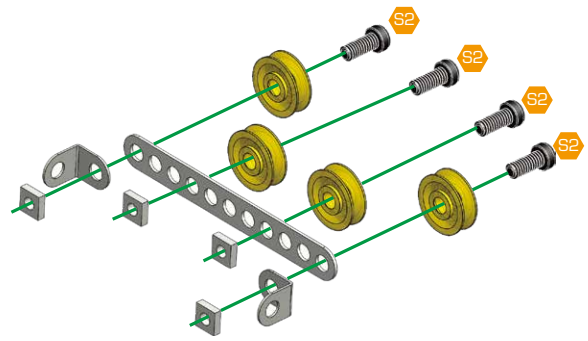
0 5 10 mm

S1 5.8 mm

13

- S2 x 4
- x 4
- x 2
- x 4
- x 1

mm
0 5 10
S2 9.5 mm



14

- S1 x 2
- x 2
- x 2
- x 1

mm
0 5 10
S1 5.8 mm

15

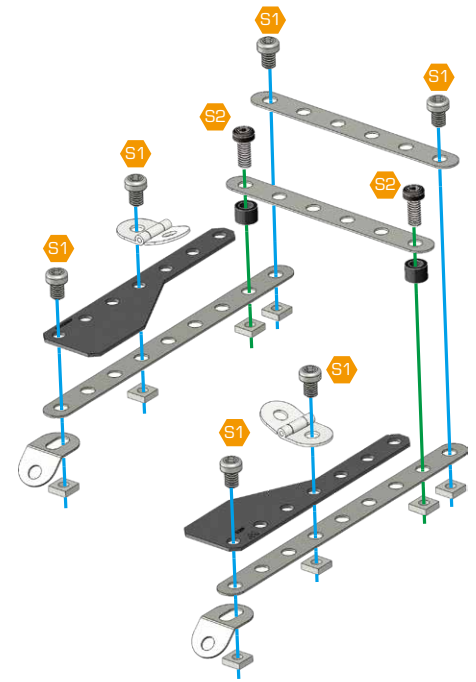
- S1 x 2
- x 2
- x 1
- x 1
- x 1

mm
0 5 10
S1 5.8 mm

16

- S1 x 6
- S2 x 2
- x 8
- x 2
- x 2
- x 2
- x 2
- x 2
- x 2

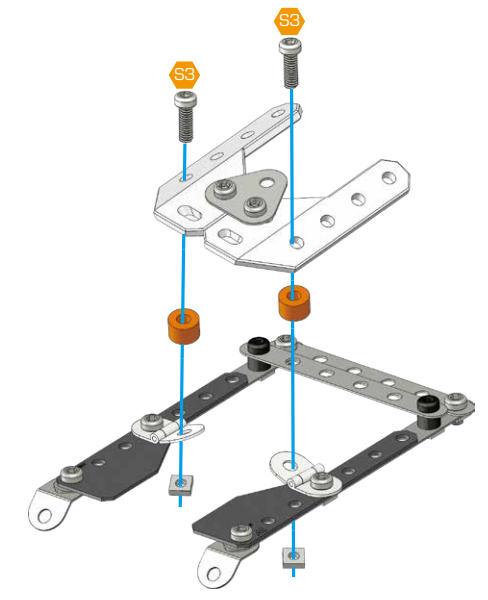
mm
0 5 10 15
S1 5.8 mm
S2 9.5 mm



17 15+16

- S3 x 2
- x 2
- x 2

mm
0 5 10 15
S3 12 mm



18 11+

- x 4
- x 4
- x 1

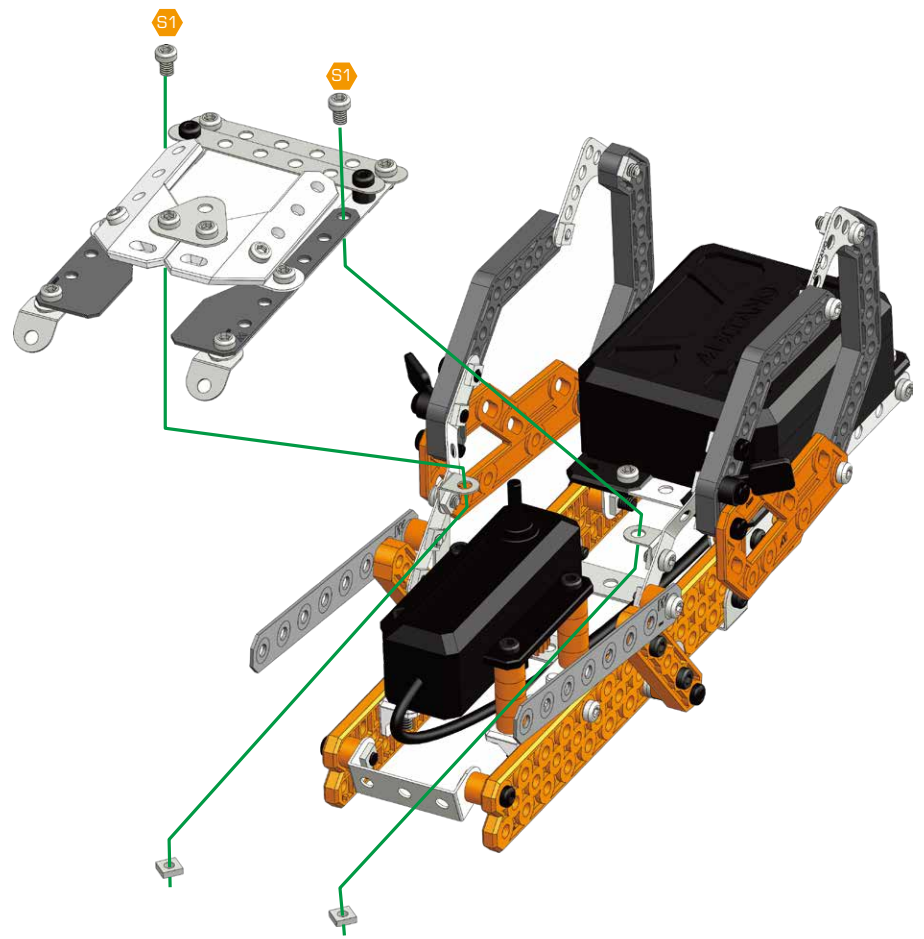
5.8 mm

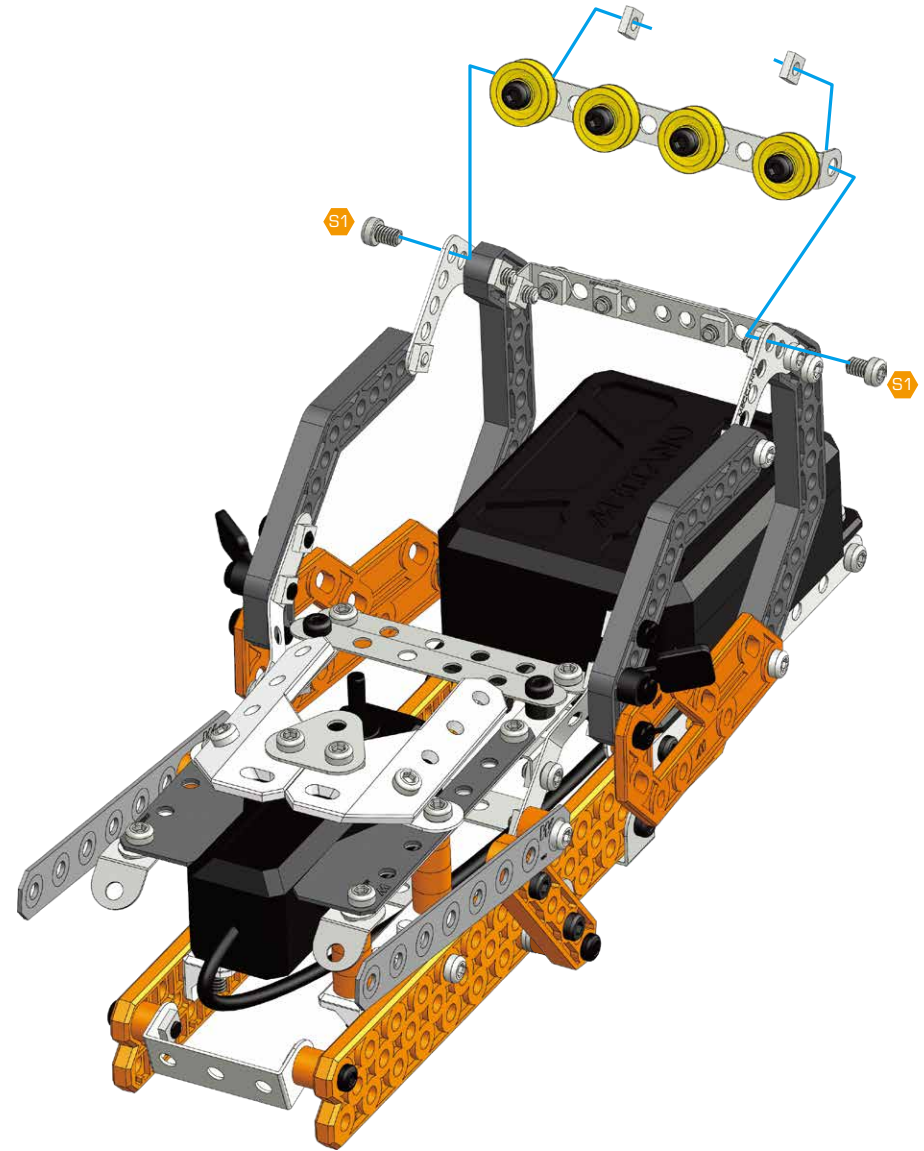
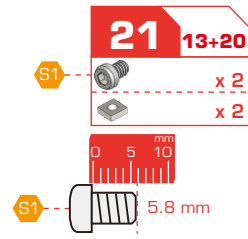
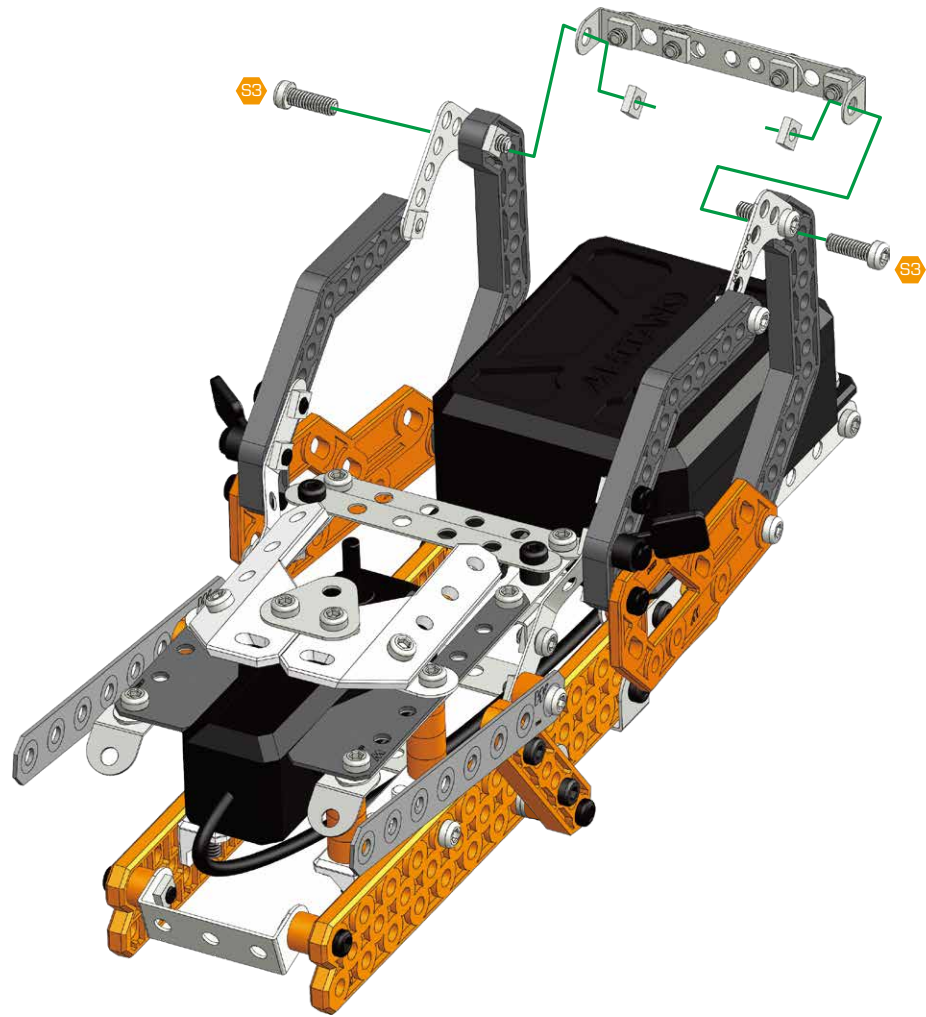
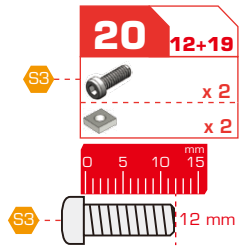


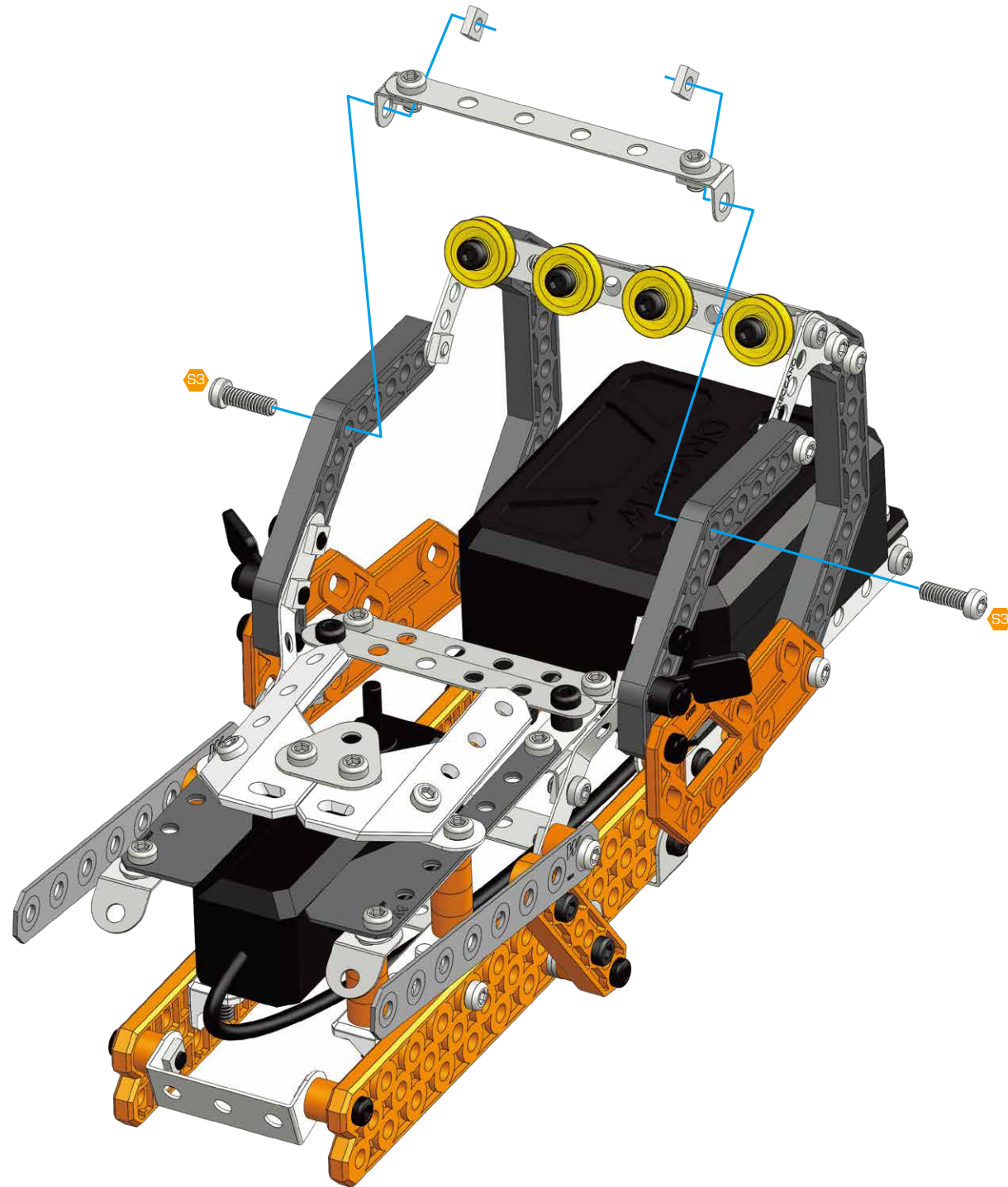
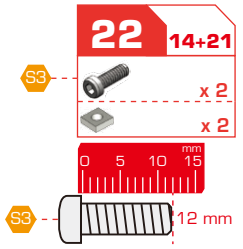
19 17+18

- x 2
- x 2

5.8 mm





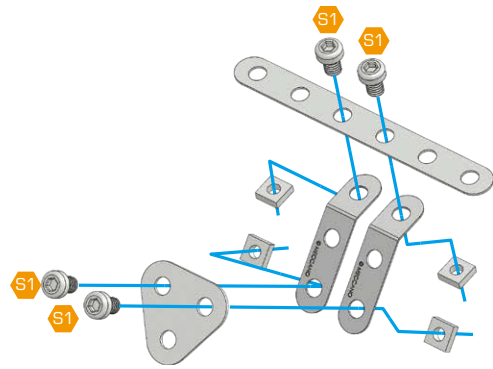


23

- S1 x 4
- x 4
- x 1
- x 2
- x 1

0 5 10 mm

S1 5.8 mm



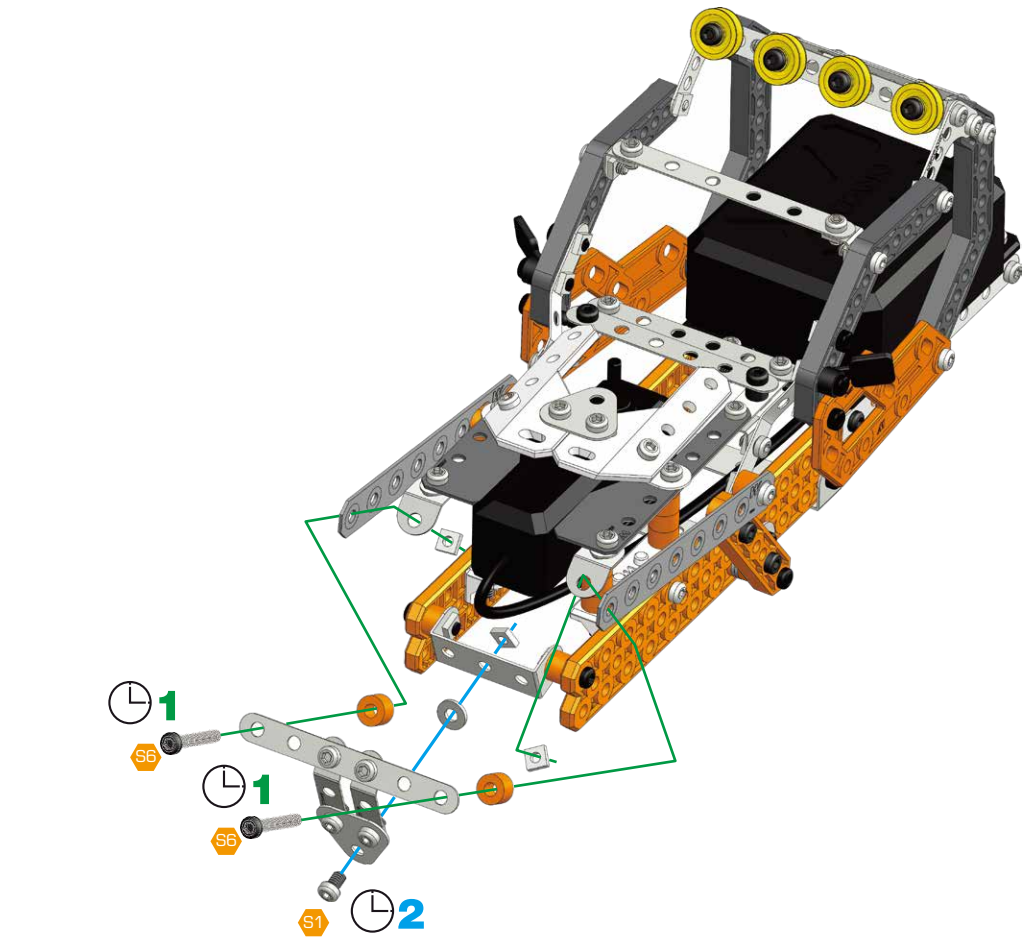
24 22+23

- S1 x 1
- S6 x 2
- x 3
- x 1
- x 2

0 5 10 15 20 25 30 35 40 mm

S1 5.8 mm

S6 28 mm



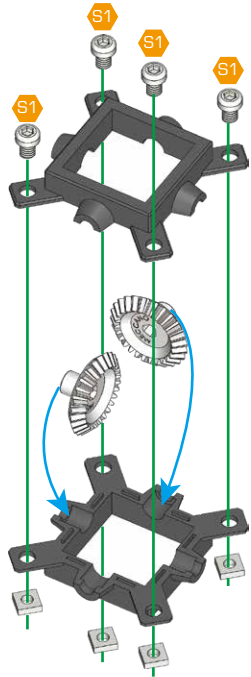
25

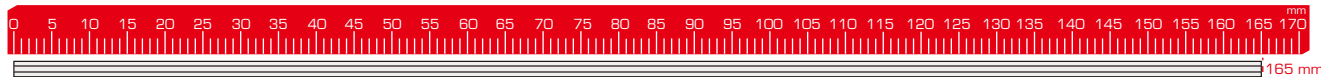
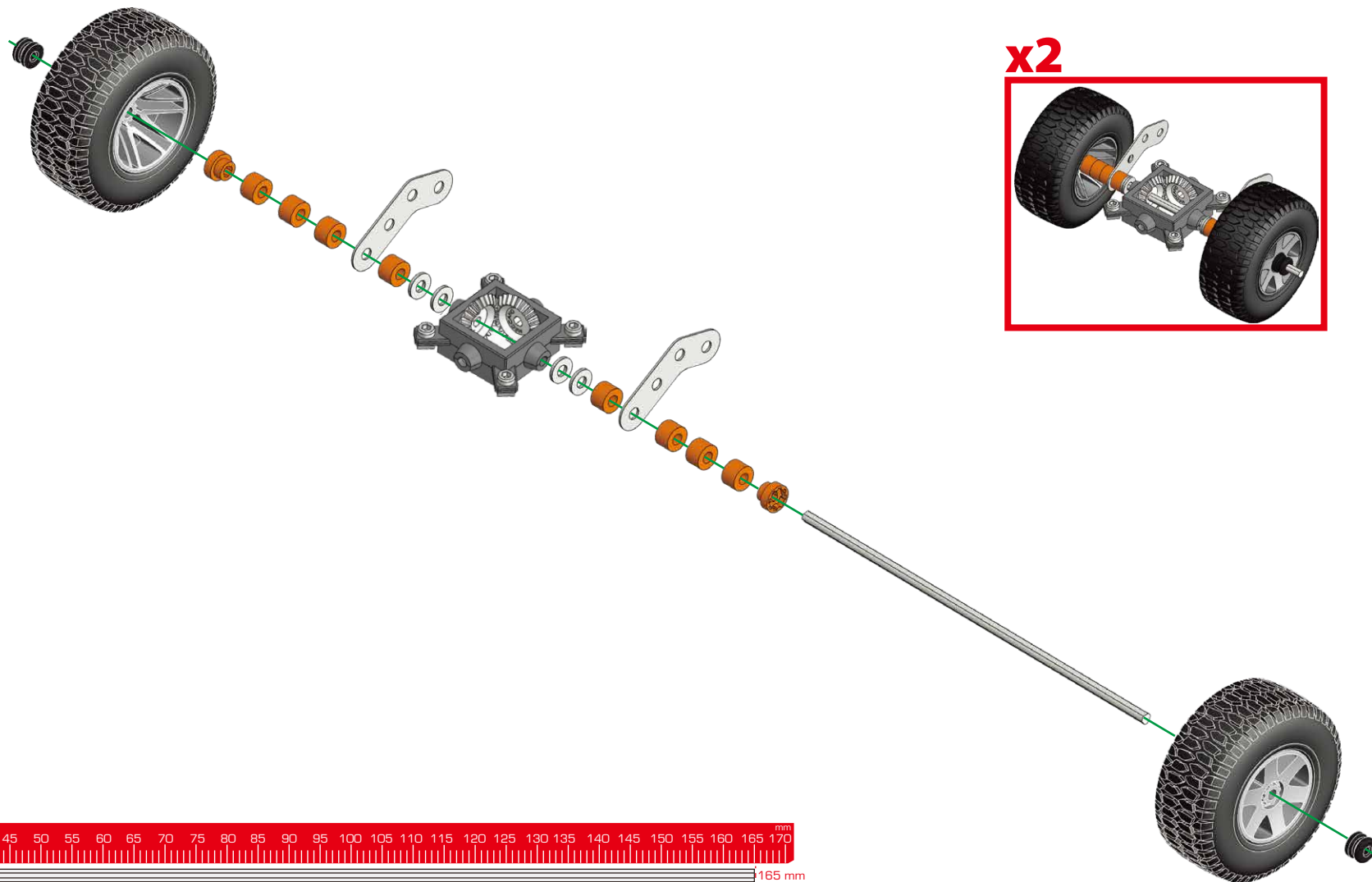
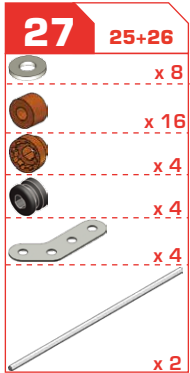
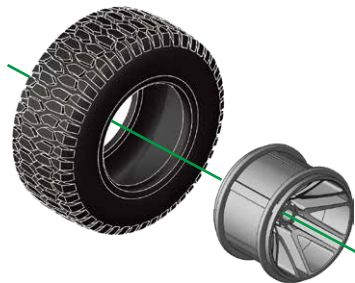
- S1 x 8
- x 8
- x 4
- x 4

0 5 10 mm

S1 5.8 mm

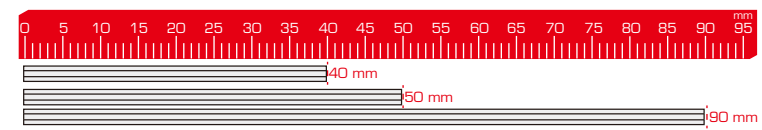
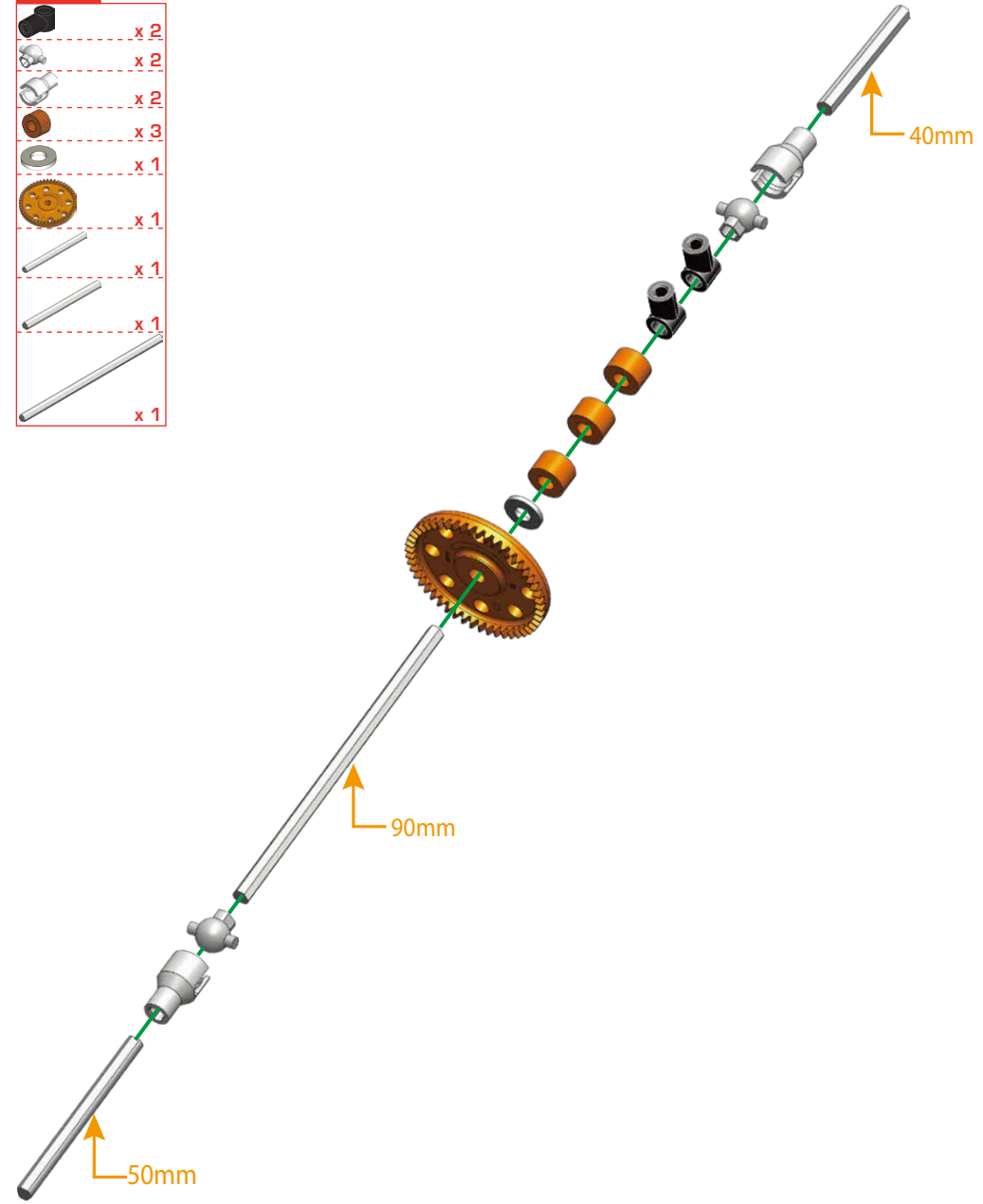
x 2





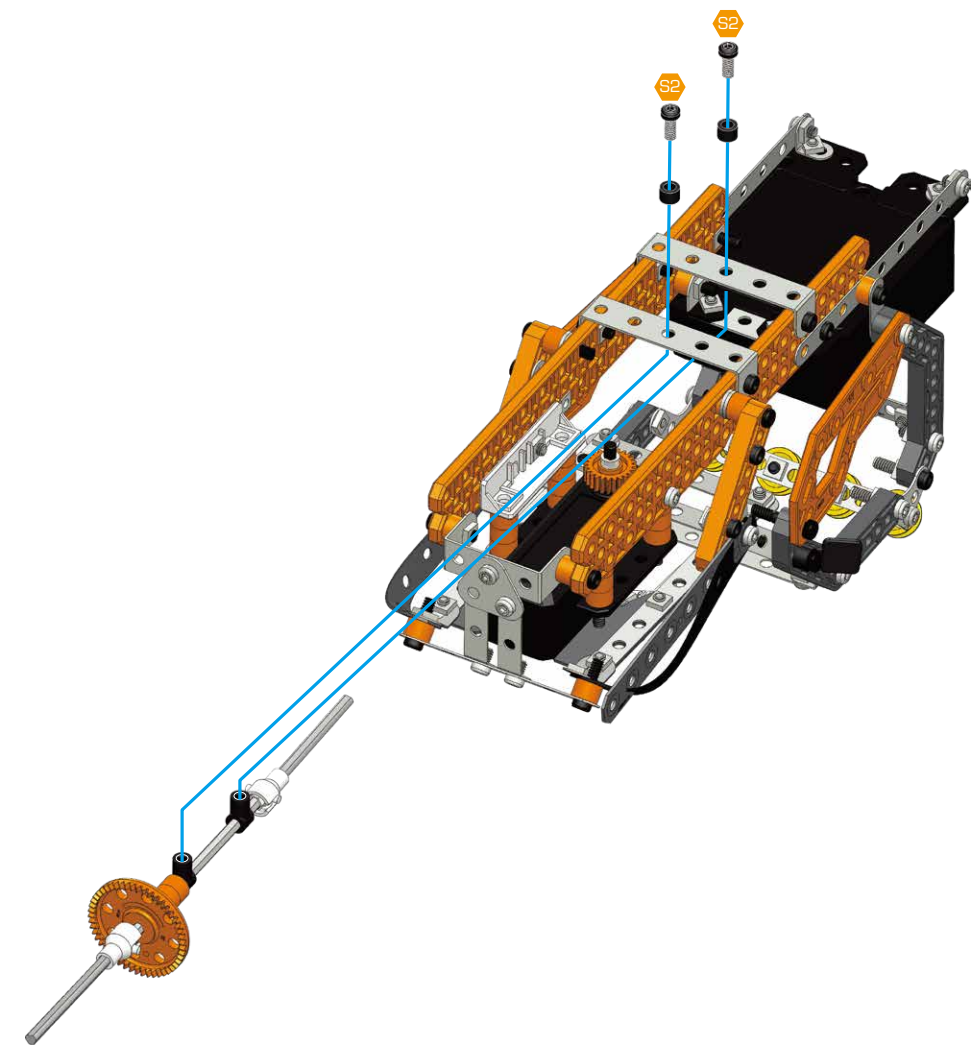
28

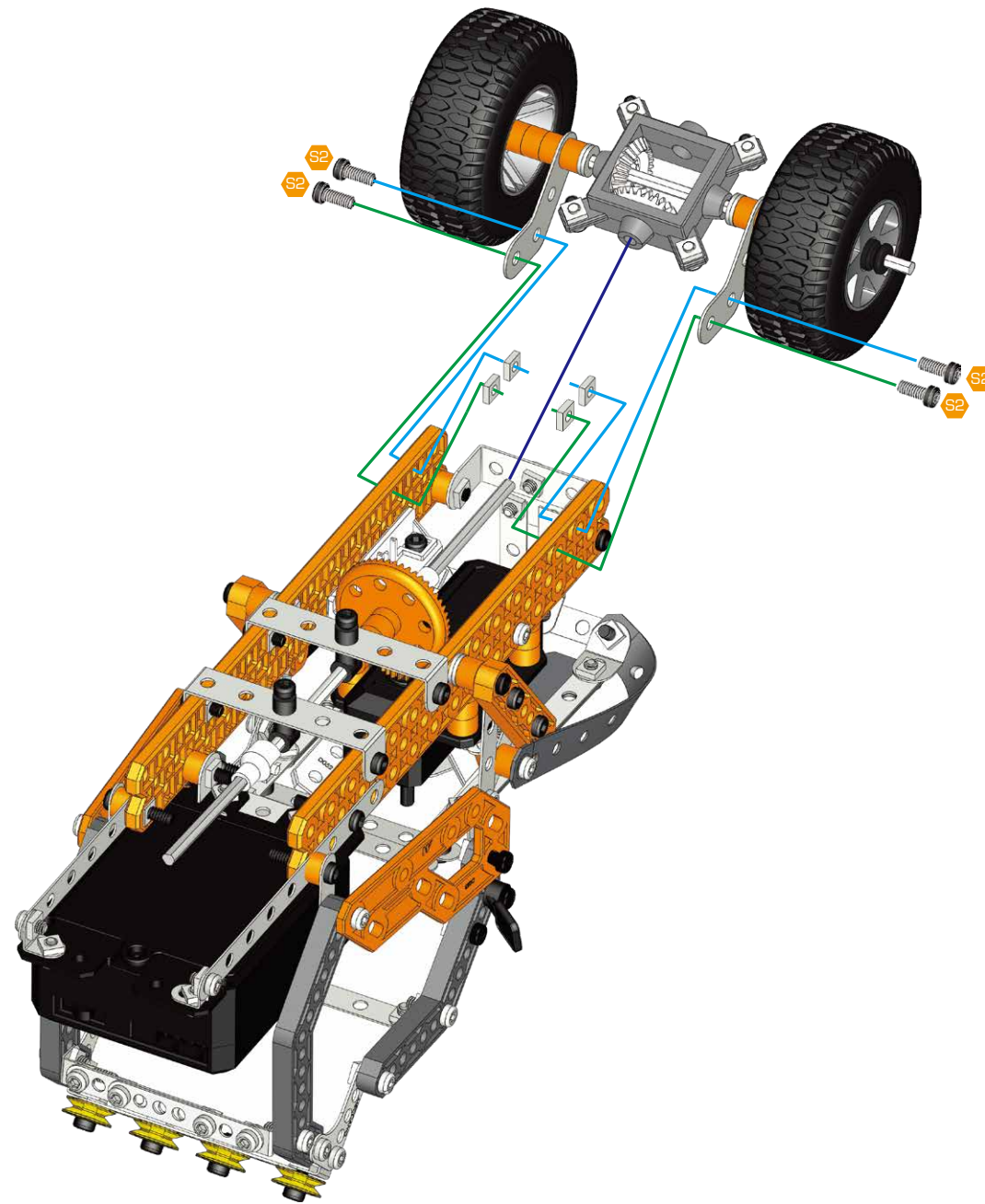
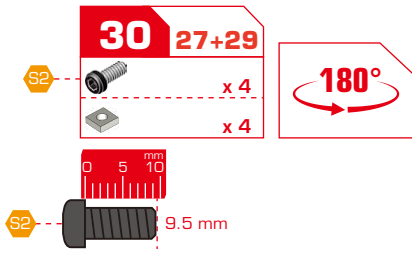
- x 2
- x 2
- x 2
- x 3
- x 1
- x 1
- x 1
- x 1
- x 1



29 24+28

- x 2
 - x 2
 - x 2
- 9.5 mm





31 27+30

x 4

x 4

180°

0 5 10 mm

9.5 mm

