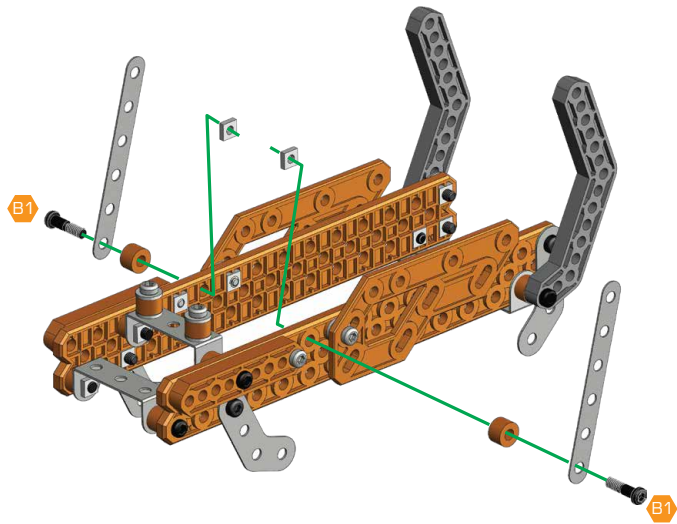


8

B1		x 2
		x 2
		x 2
		x 2

0 5 10 15 20 mm

B1 14.7 mm

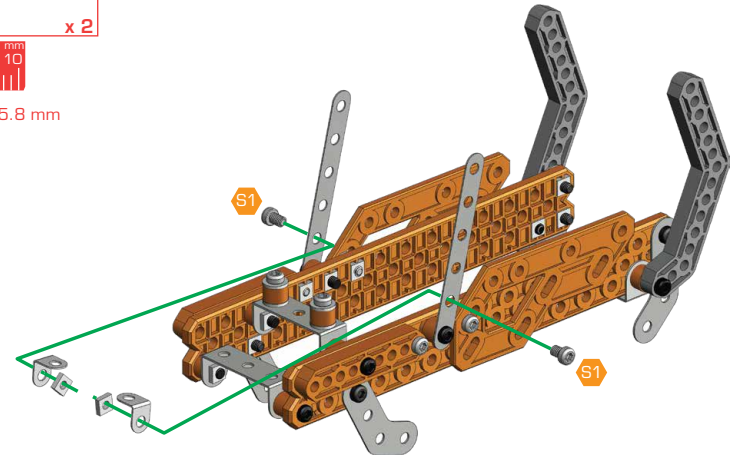


9

S1		x 2
		x 2
		x 2

0 5 10 mm

S1 5.8 mm



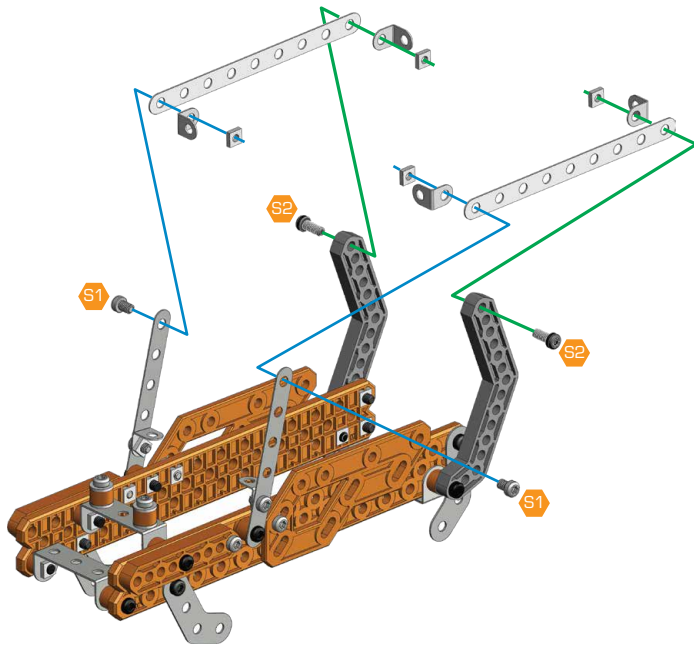
10

S1		x 2
S2		x 2
		x 4
		x 4
		x 2

0 5 10 15 mm

S1 5.8 mm

S2 9.5 mm

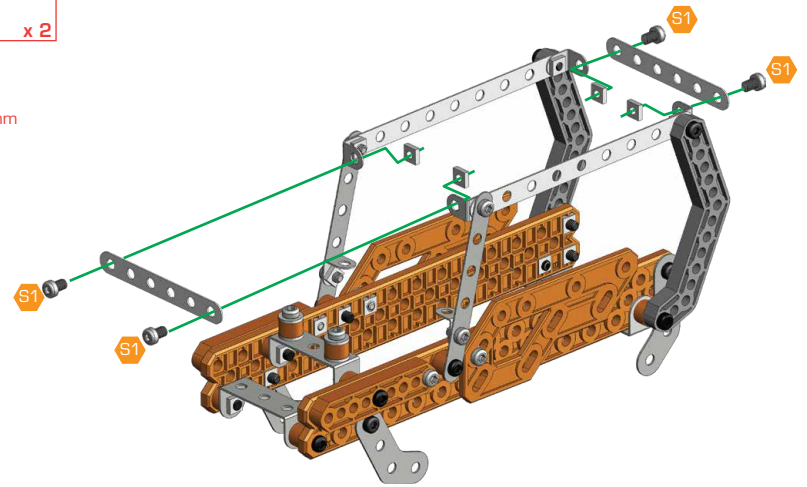


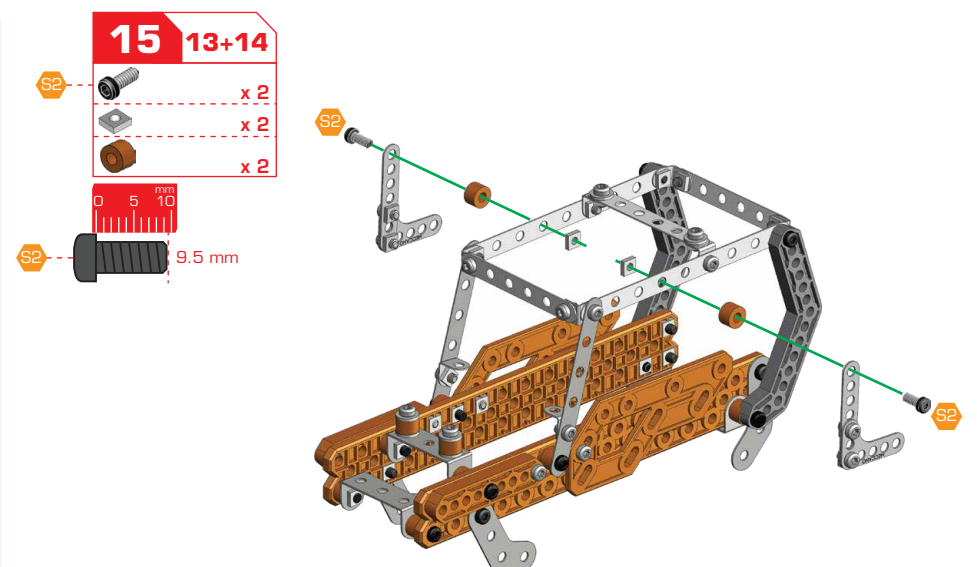
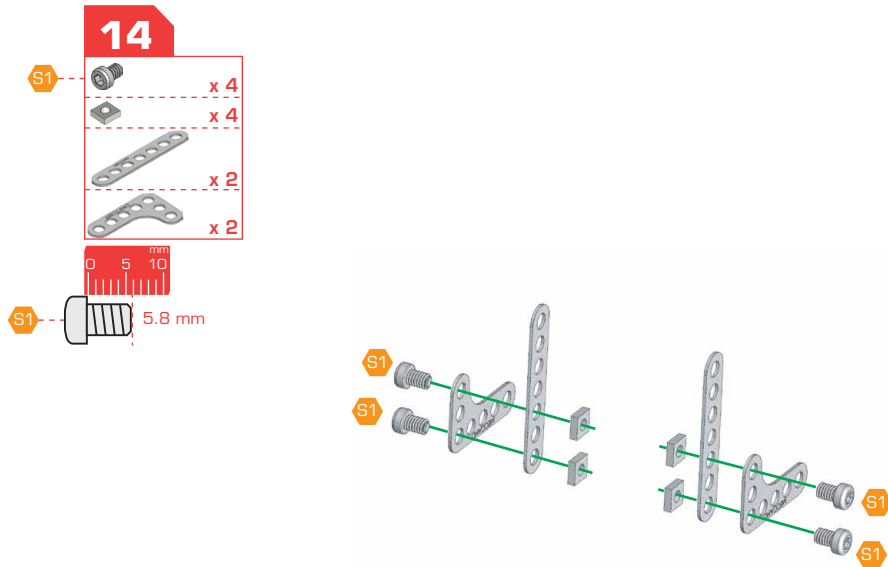
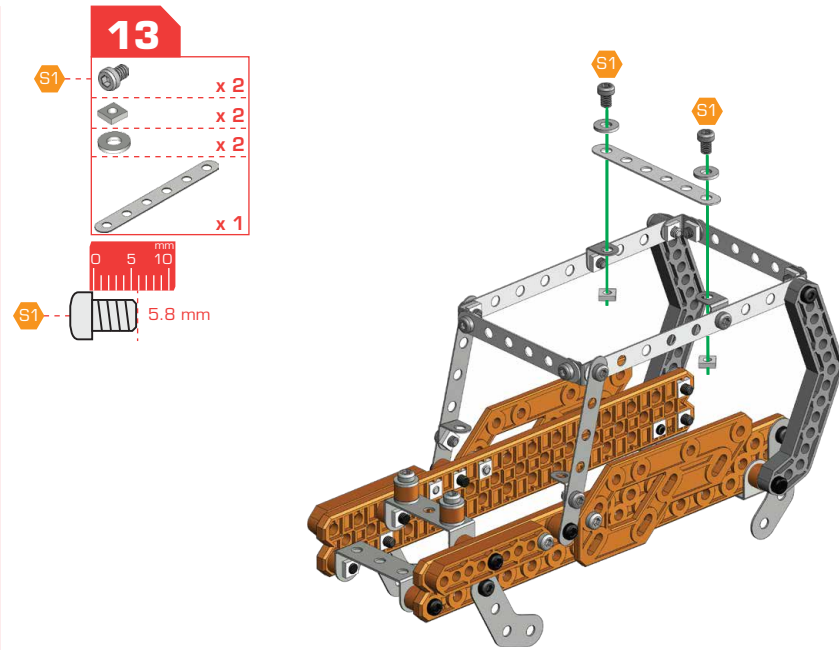
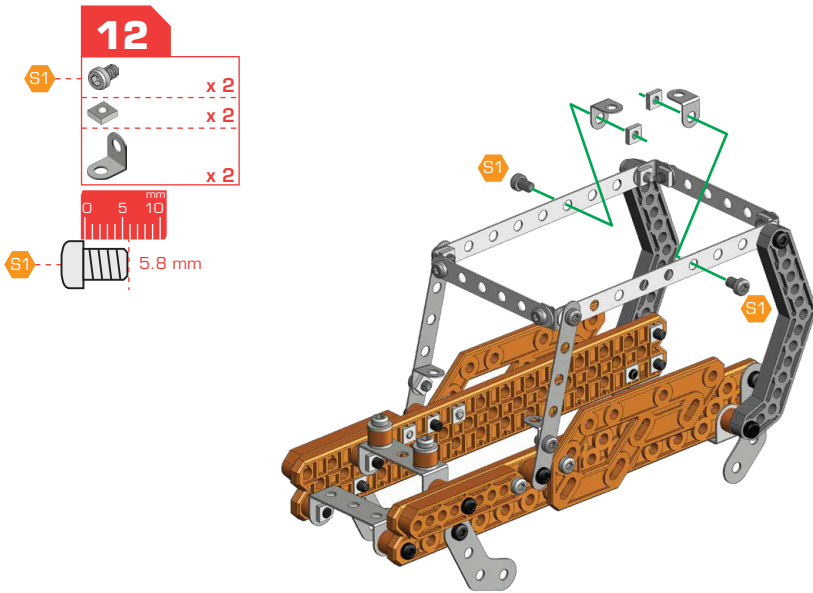
11

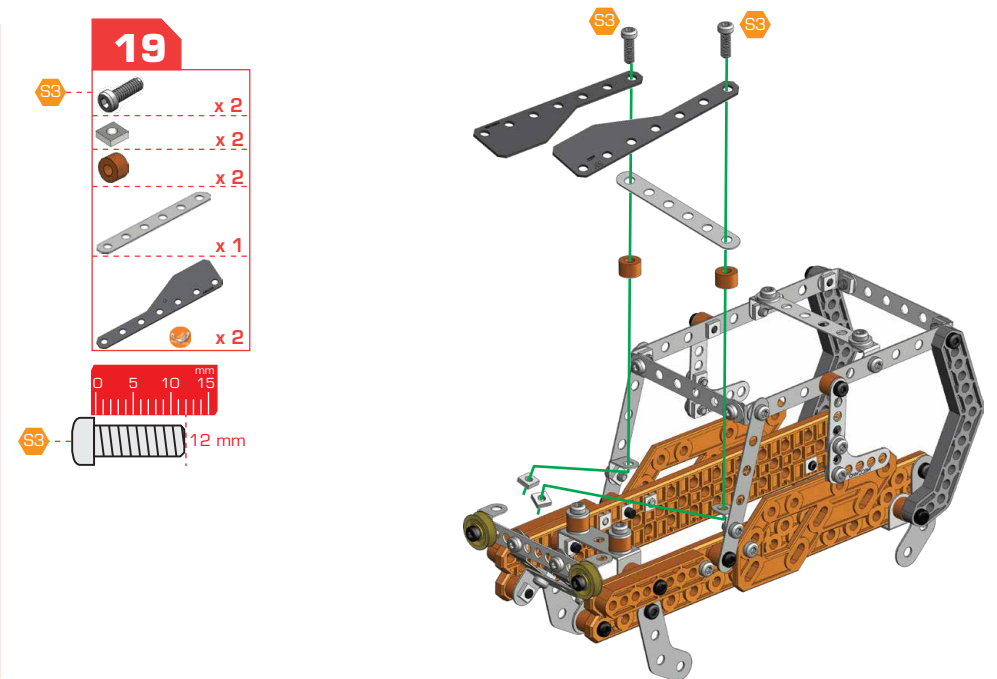
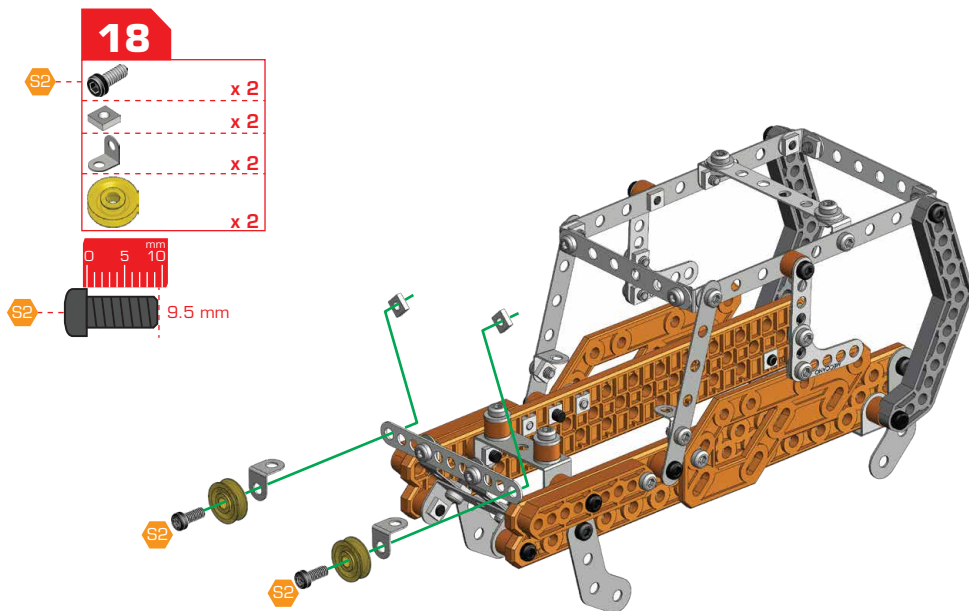
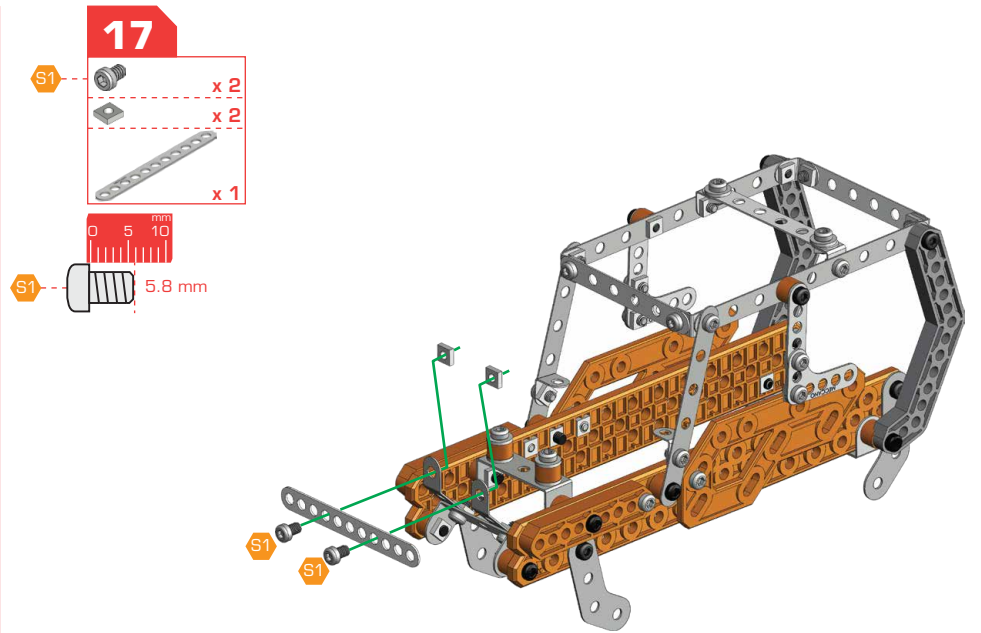
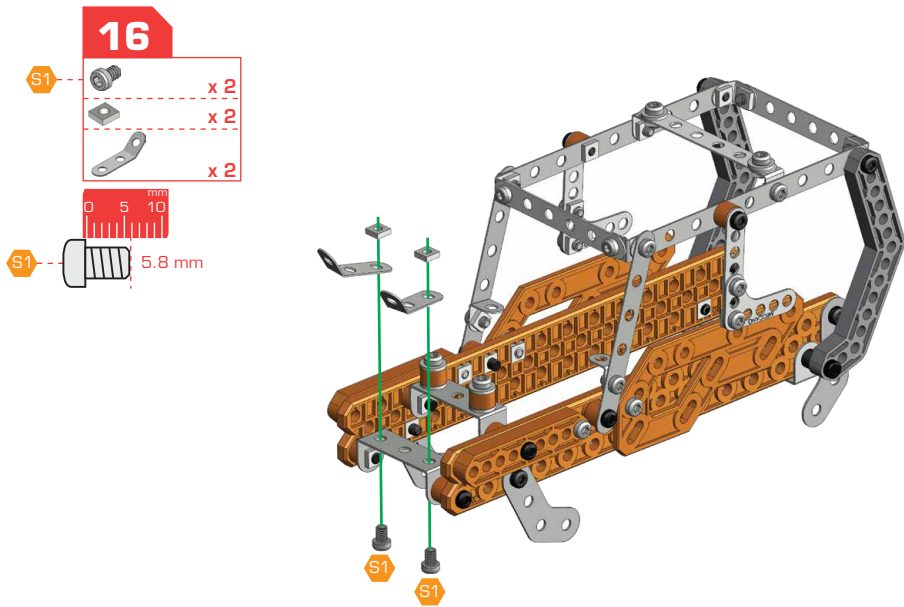
S1		x 4
		x 4
		x 2

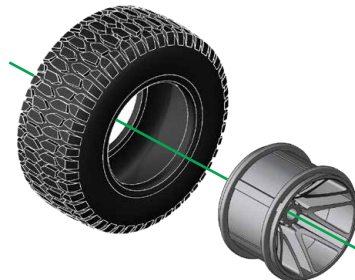
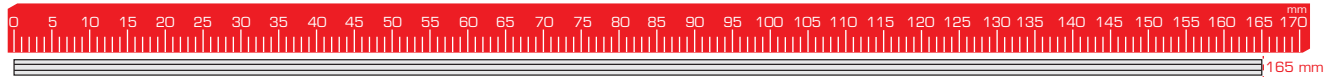
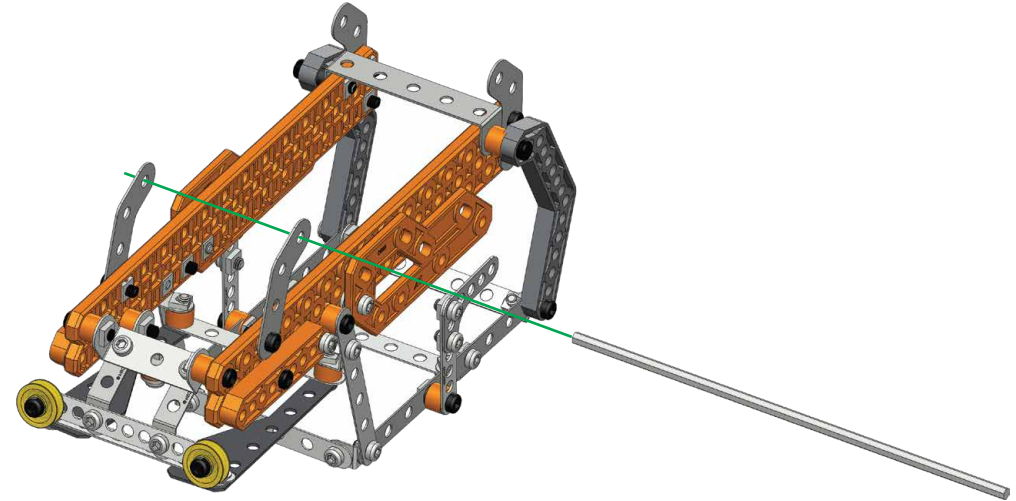
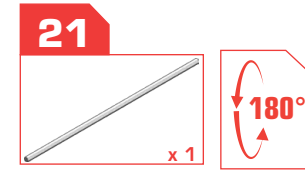
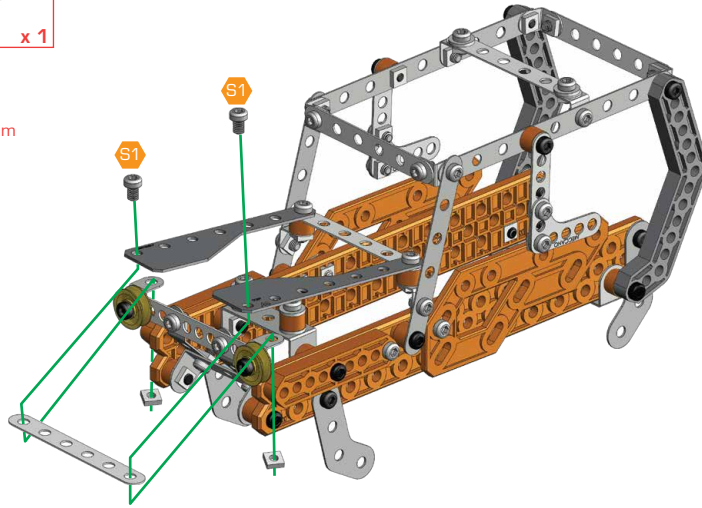
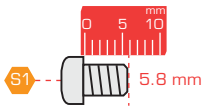
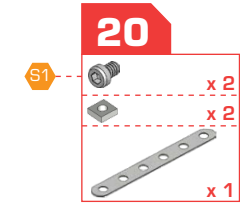
0 5 10 mm

S1 5.8 mm



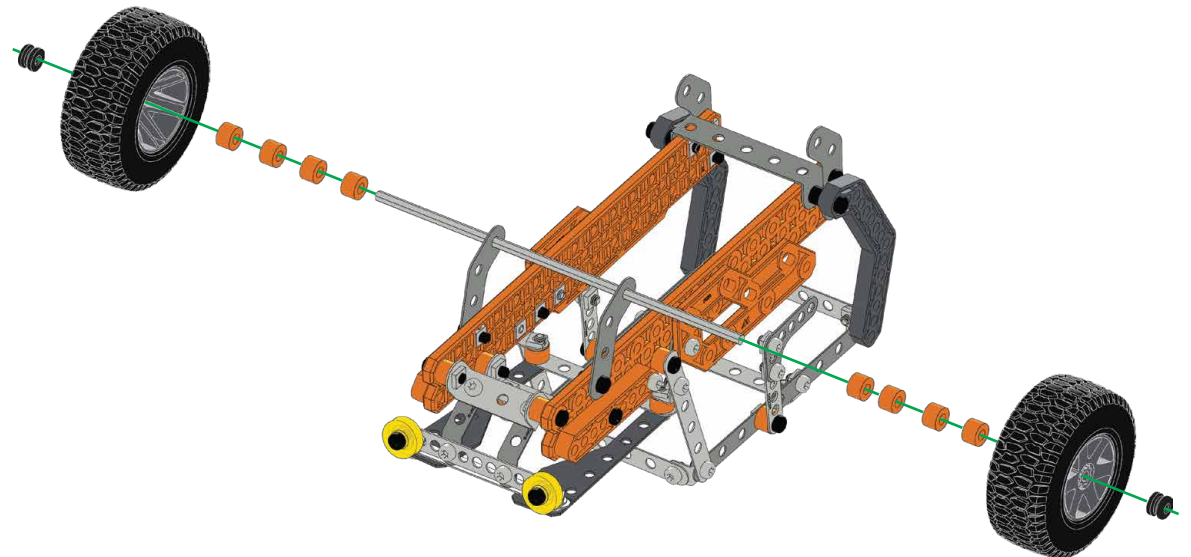







23 21+22

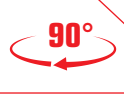
	x 8
	x 2



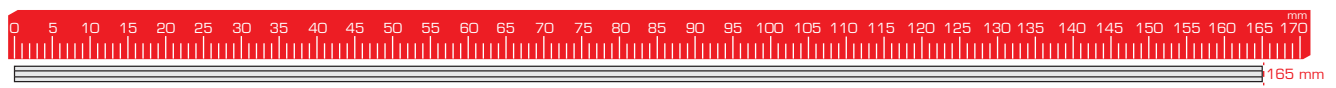
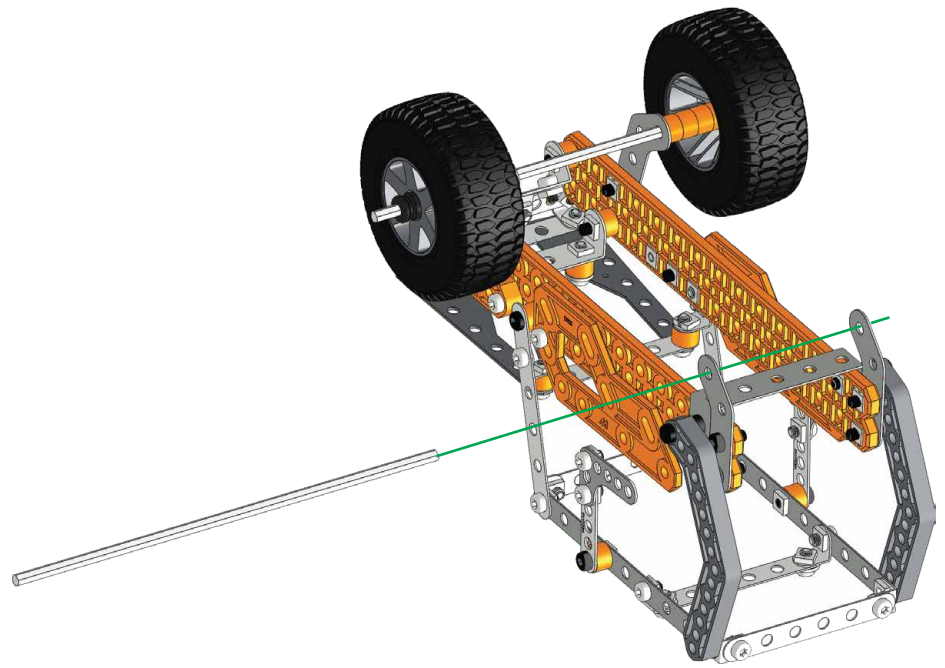
24



x 1



90°



25	22+24
	x 6
	x 8
	x 2

