

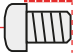
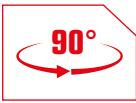
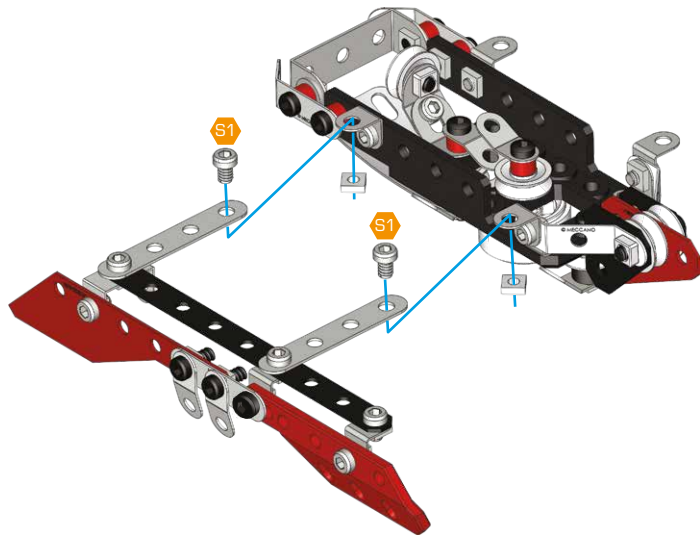


**22** 13+21





- S1  x 2
-  x 2

0 5 10 mm

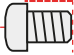
S1  5.8 mm

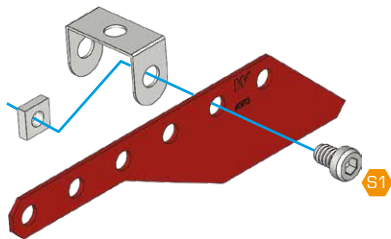


**23**





- S1  x 1
-  x 1
-  x 1
-  x 1

0 5 10 mm


S1  5.8 mm

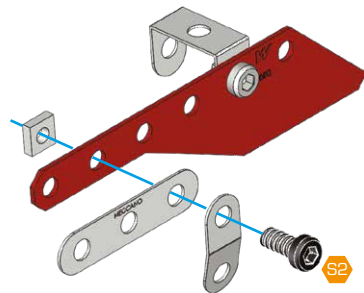


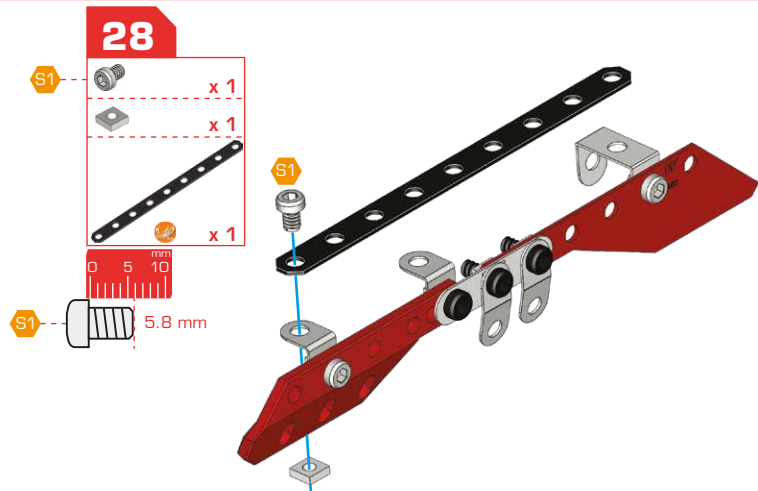
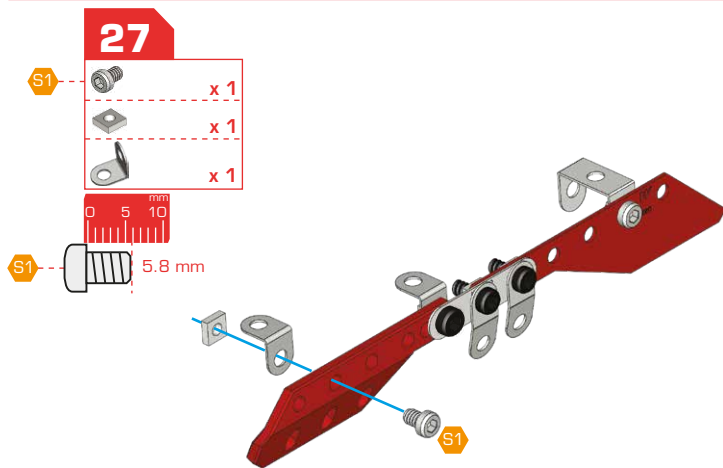
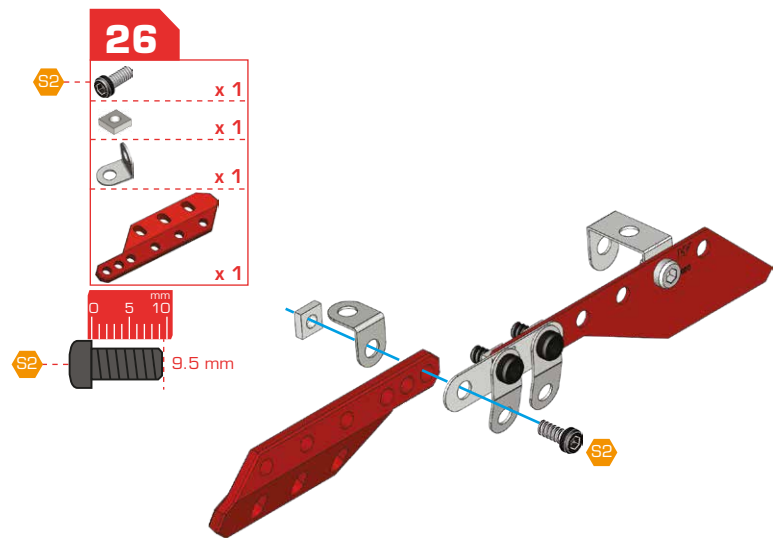
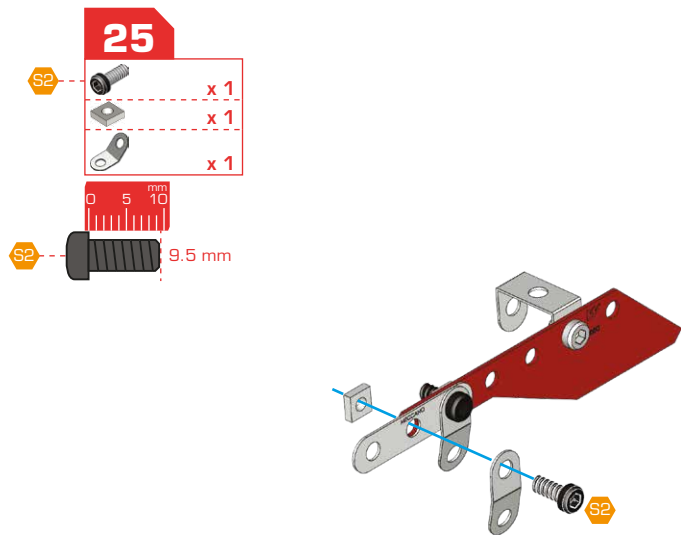
**24**

- S2  x 1
-  x 1
-  x 1
-  x 1

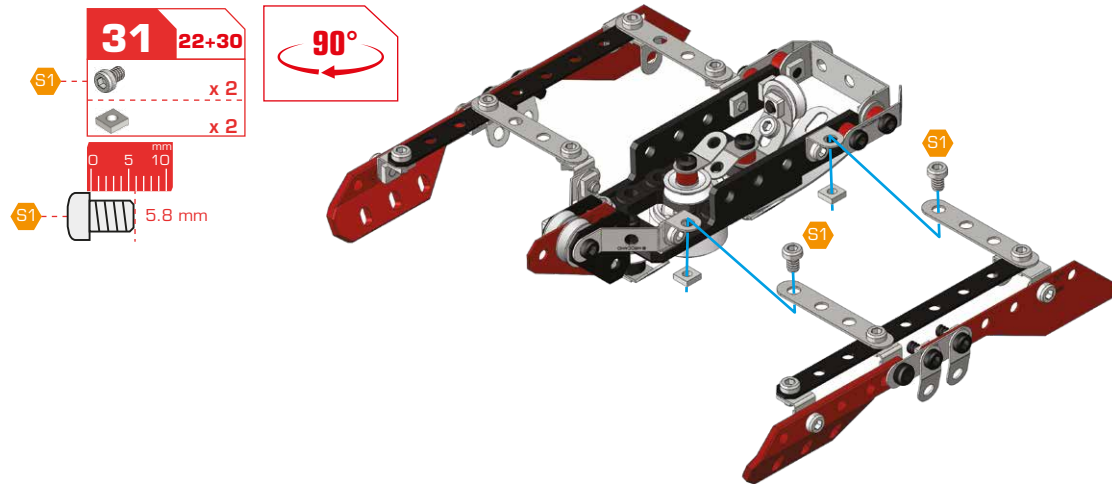
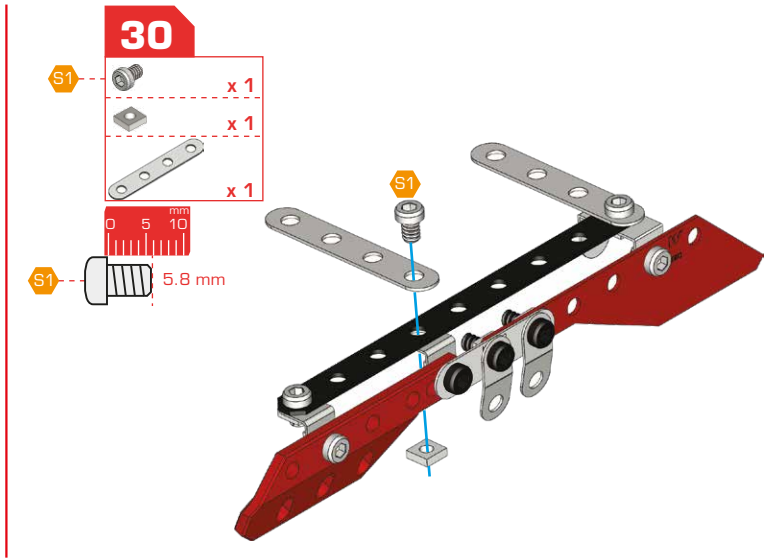
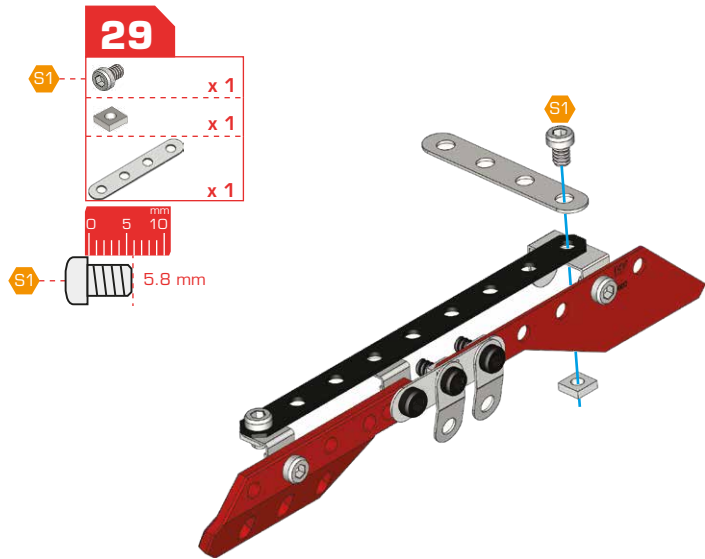
0 5 10 mm

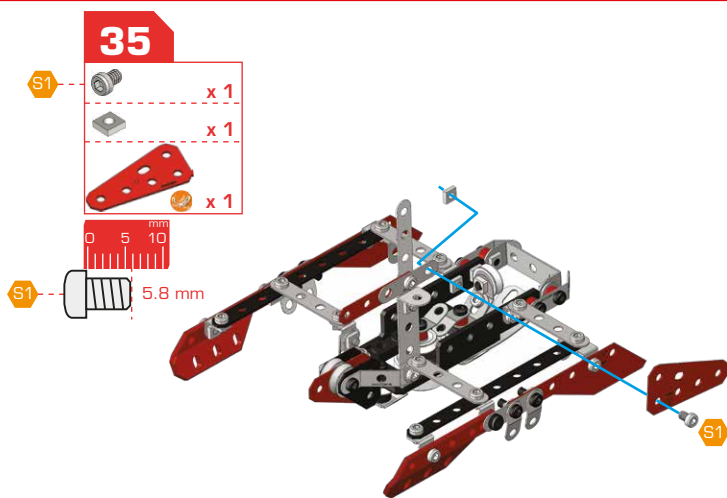
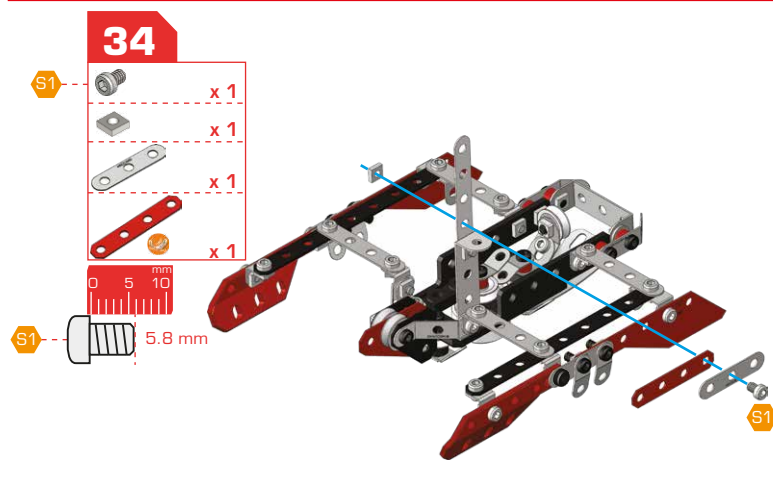
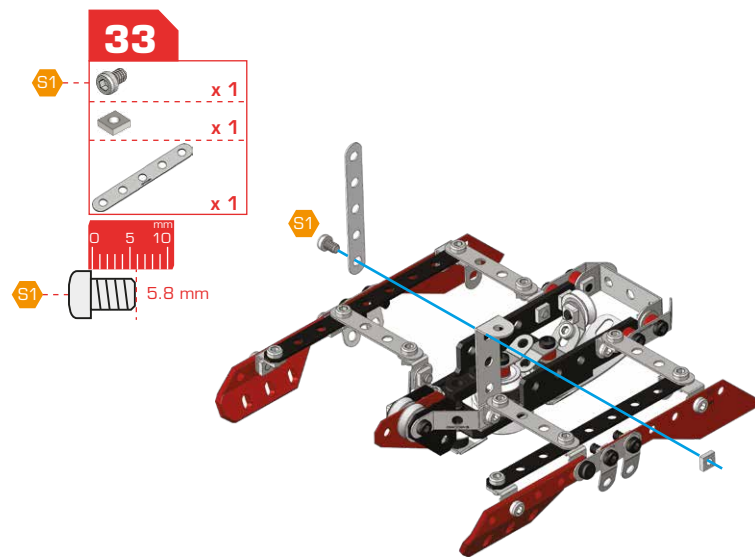
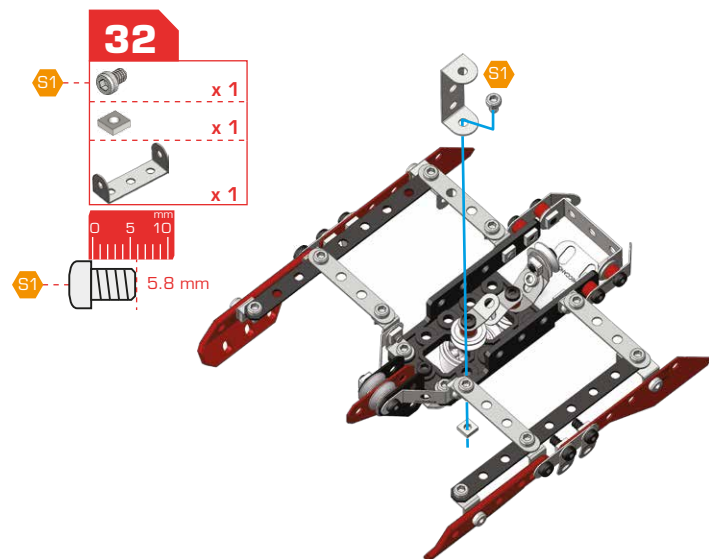
S2  9.5 mm

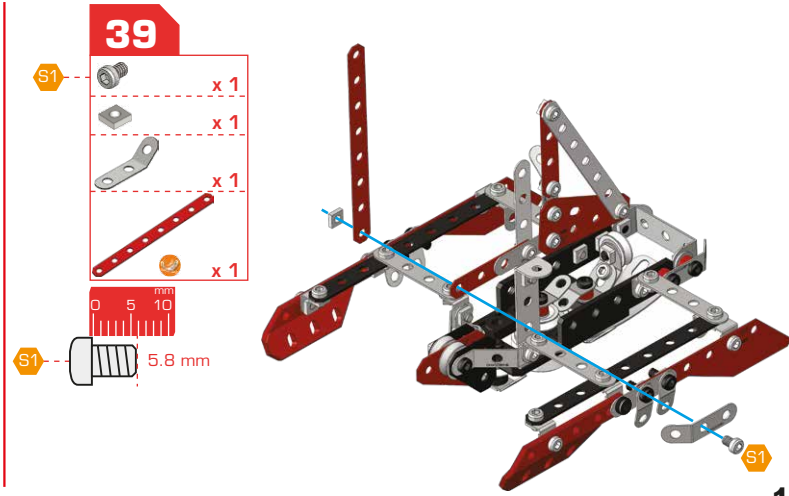
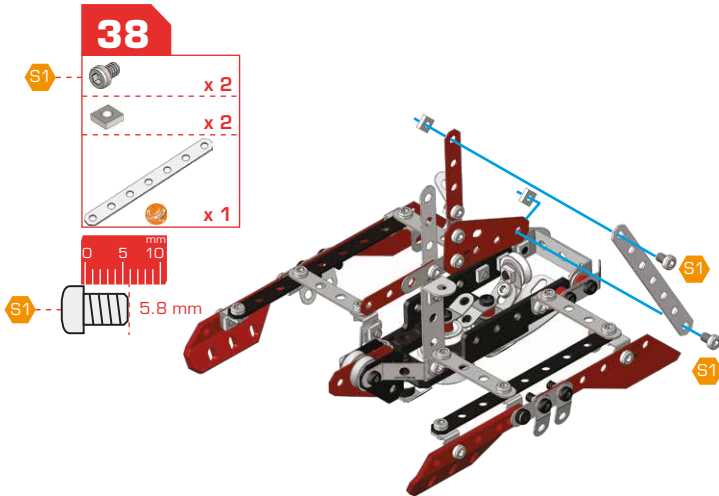
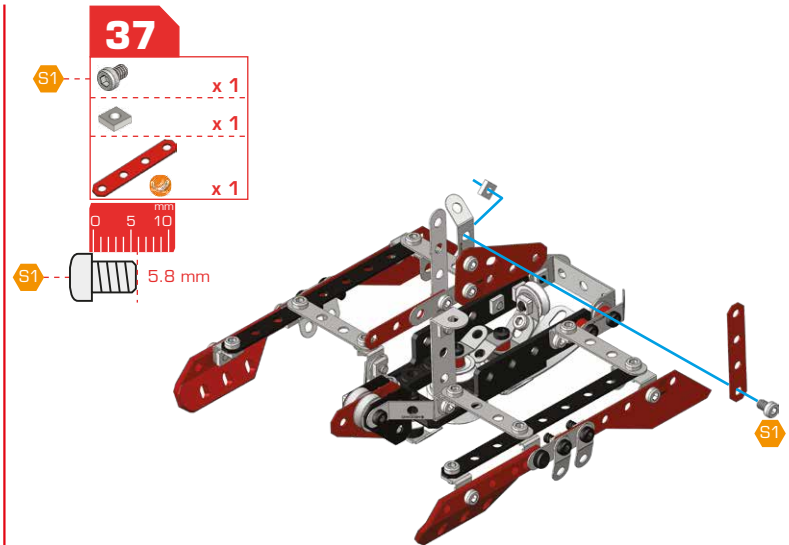
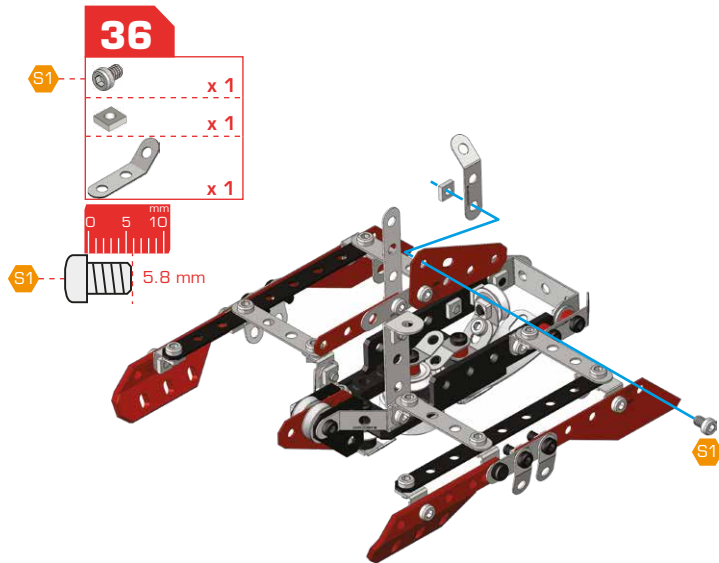


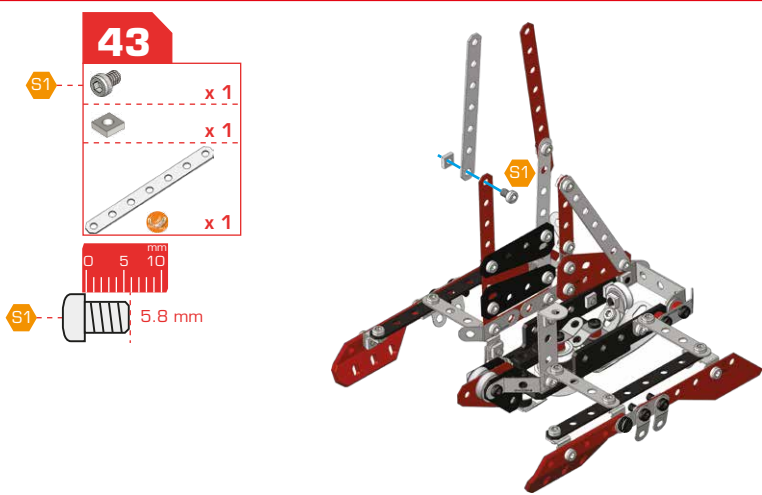
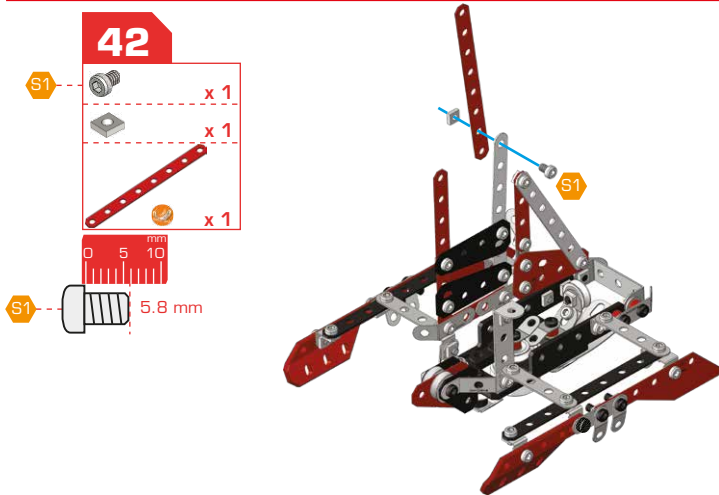
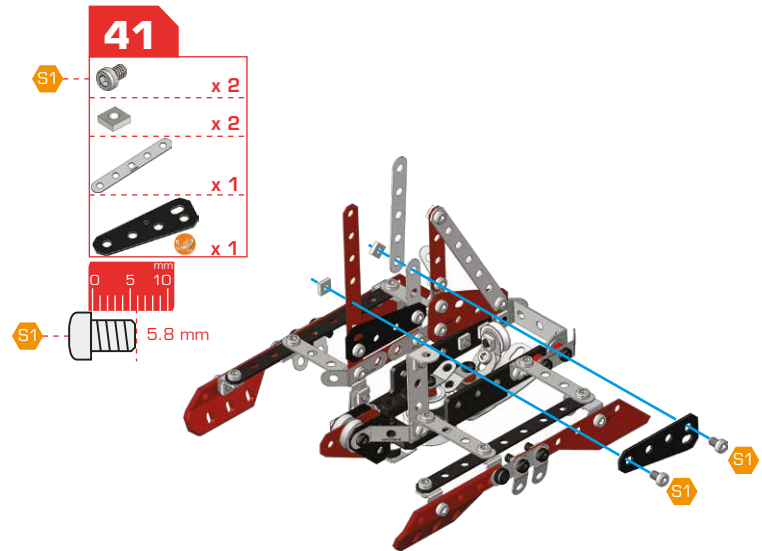
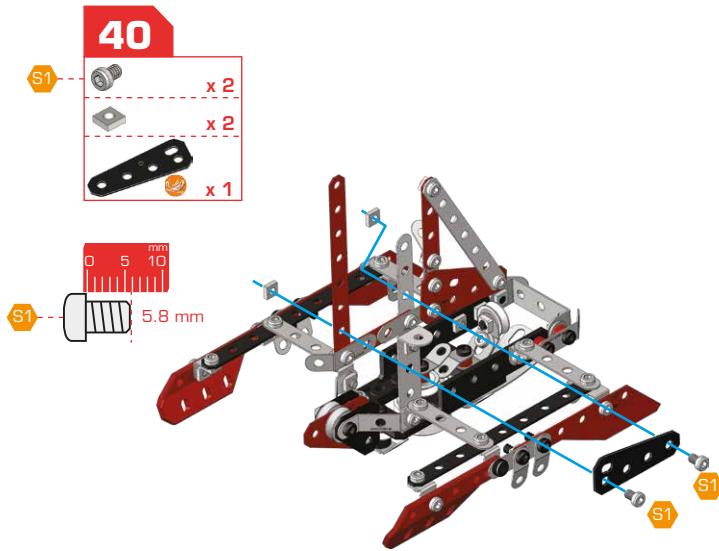













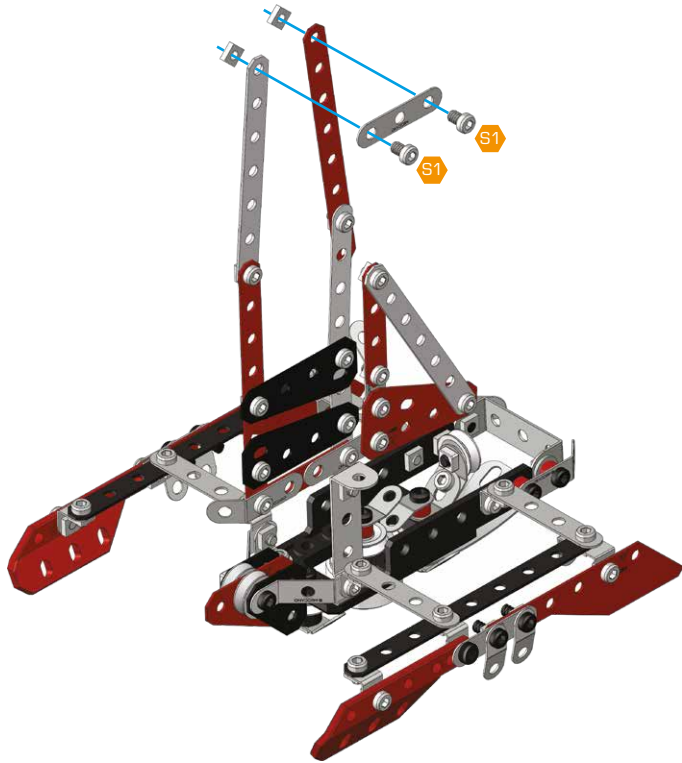


**44**




-  x 2
-  x 2
-  x 1



-  5.8 mm

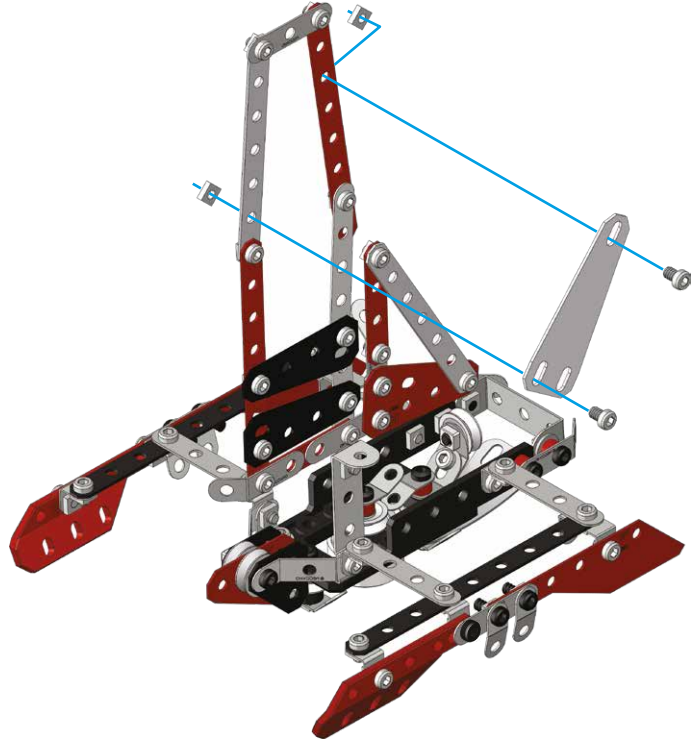


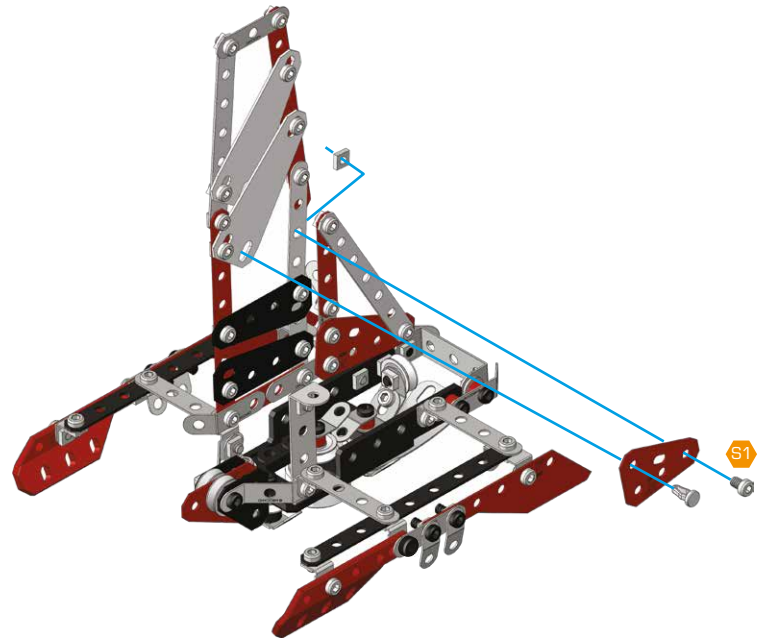
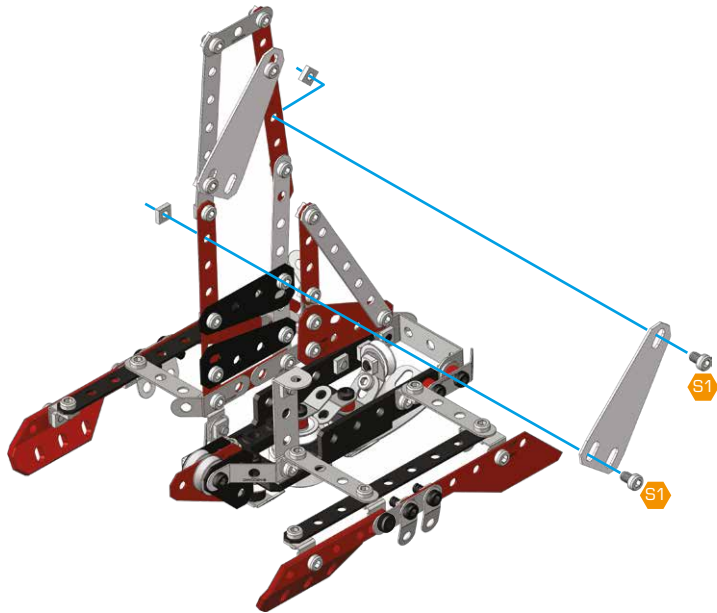
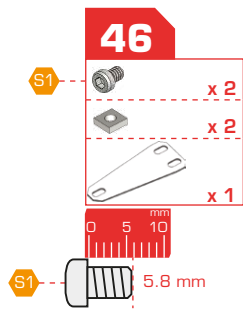
**45**

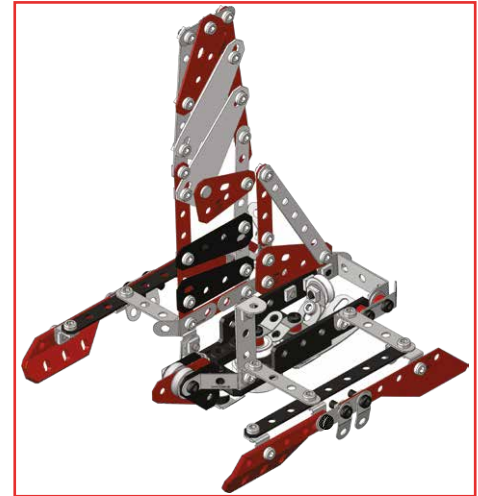
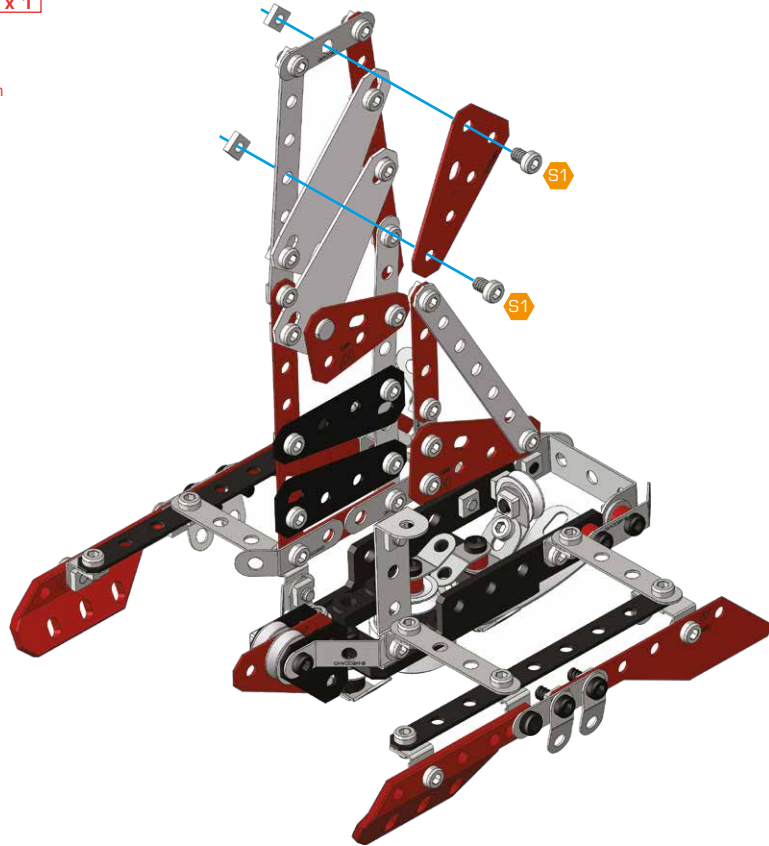
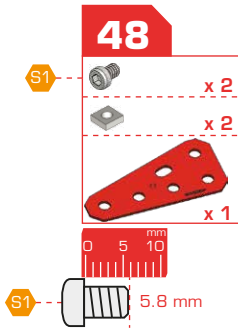
-  x 2
-  x 2
-  x 1



-  5.8 mm







49

