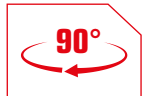
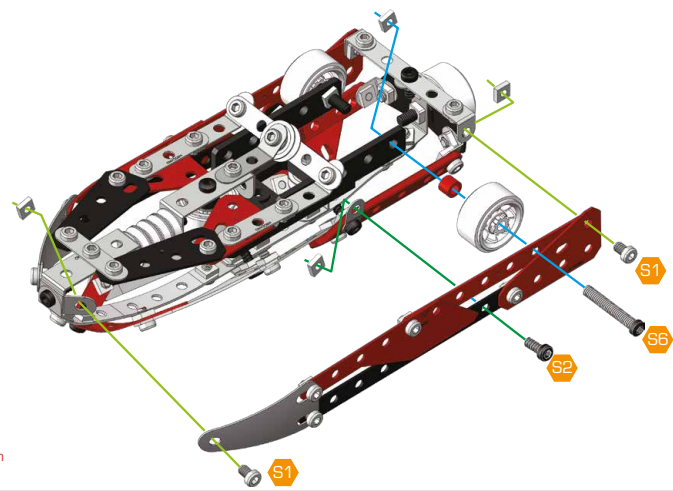


37 33+36

- S1 x 2
- S2 x 1
- S6 x 1
- x 4
- x 1
- x 1

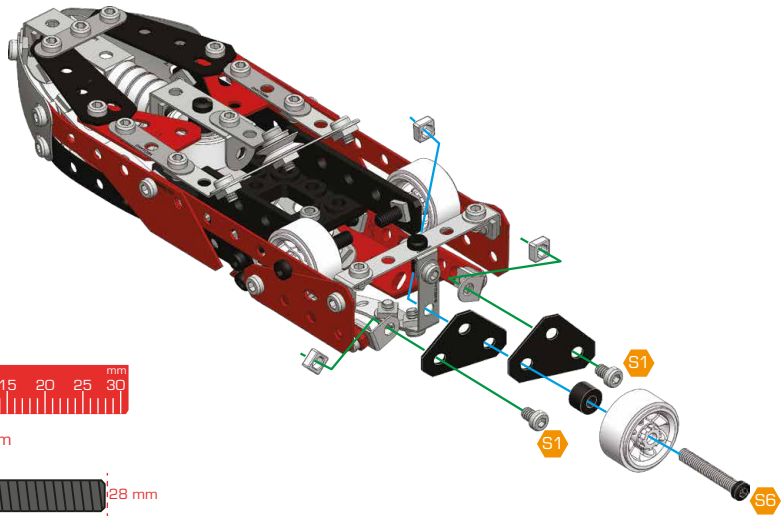
S1 5.8 mm
 S2 9.5 mm
 S6 28 mm







38

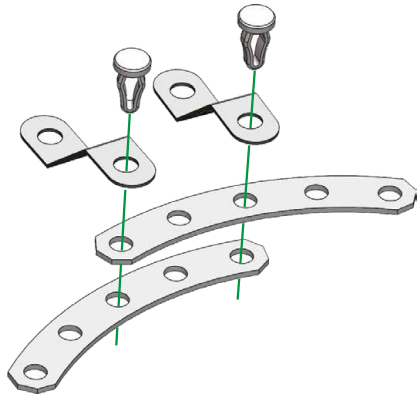
- S1 x 2
- S6 x 1
- x 1
- x 3
- x 1
- x 2
- x 1

S1 5.8 mm
 S6 28 mm



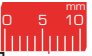


39

-  x 2
-  x 2
-  x 2
-  x 2



40 38+39

-  x 2
-  x 2
-  5.8 mm

