



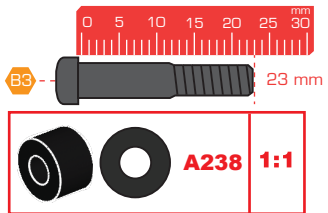
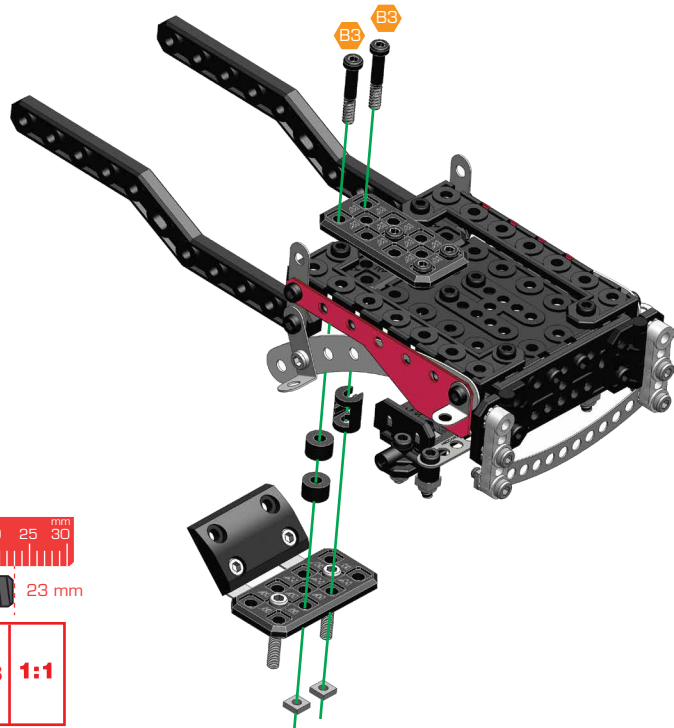





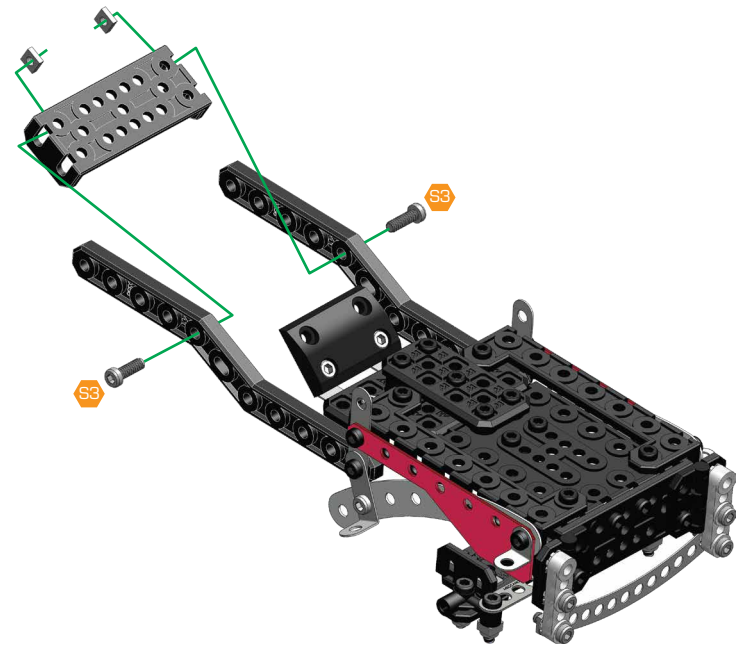







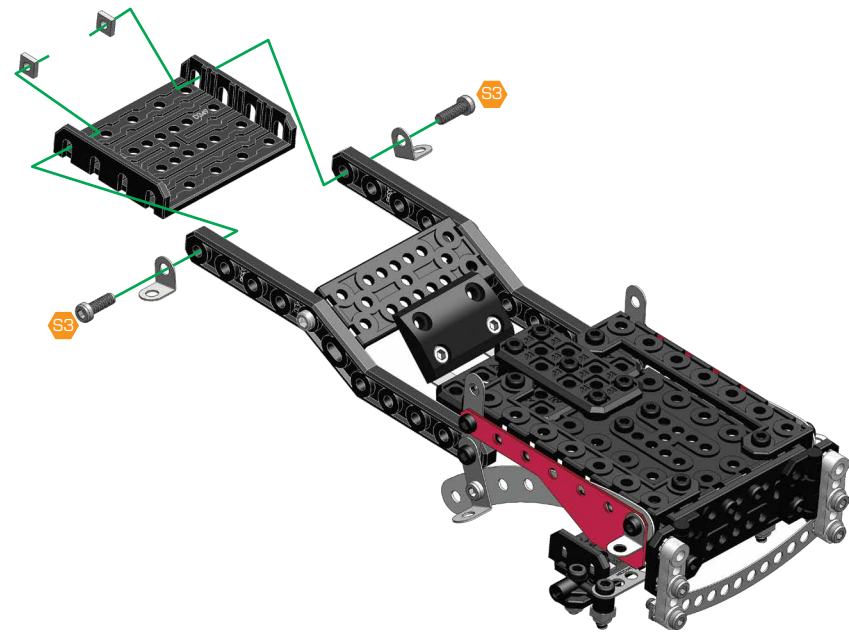
- 13** 11+12
-  x 2
  -  x 2
  -  x 2
  -  x 1

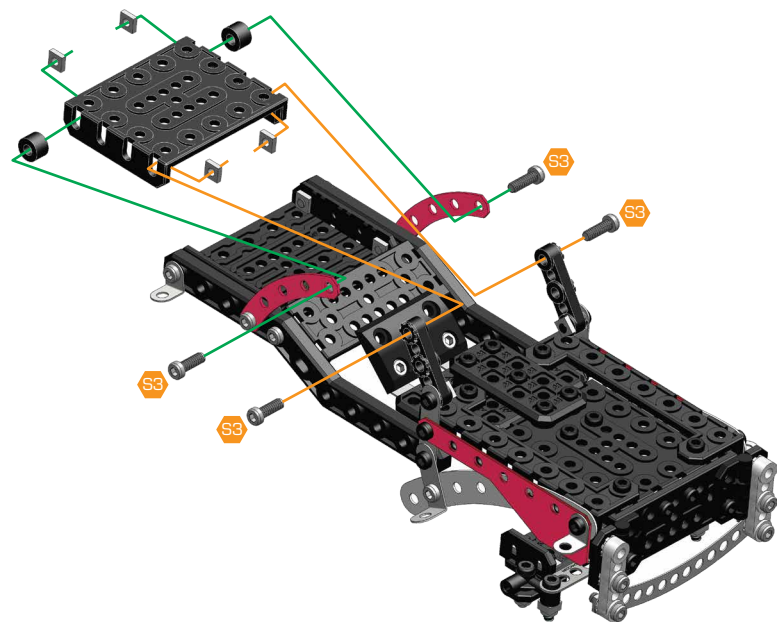
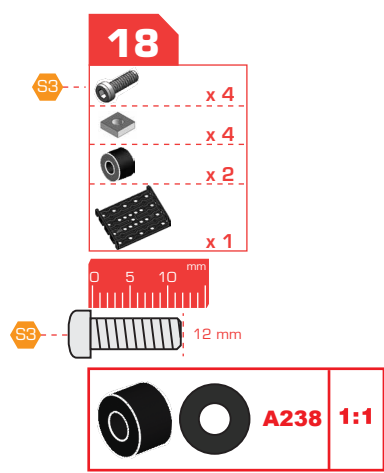
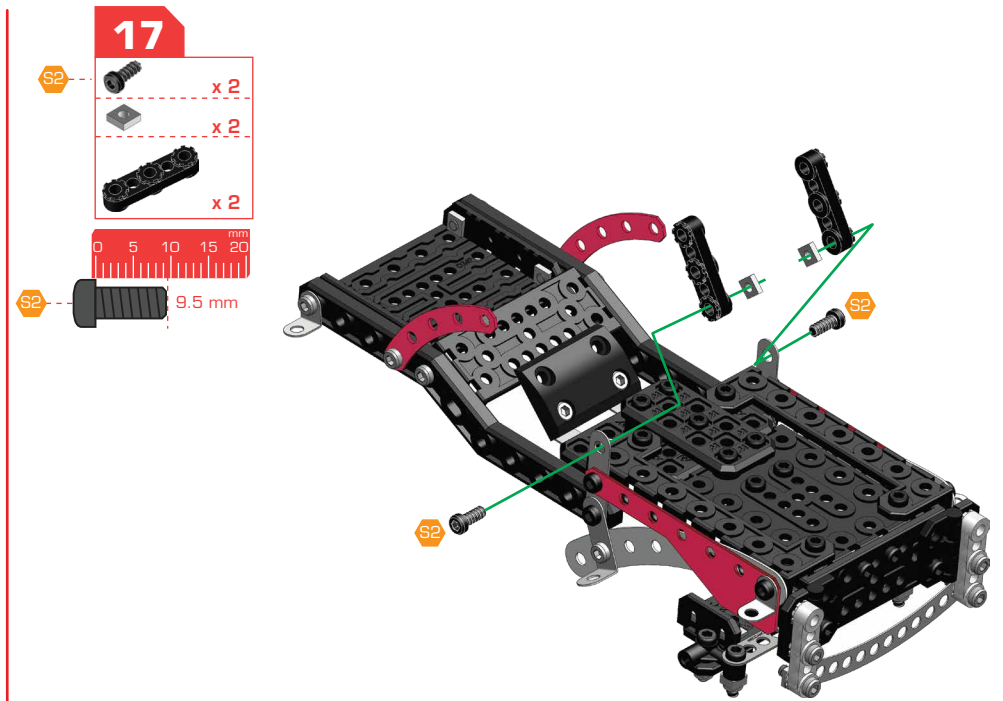
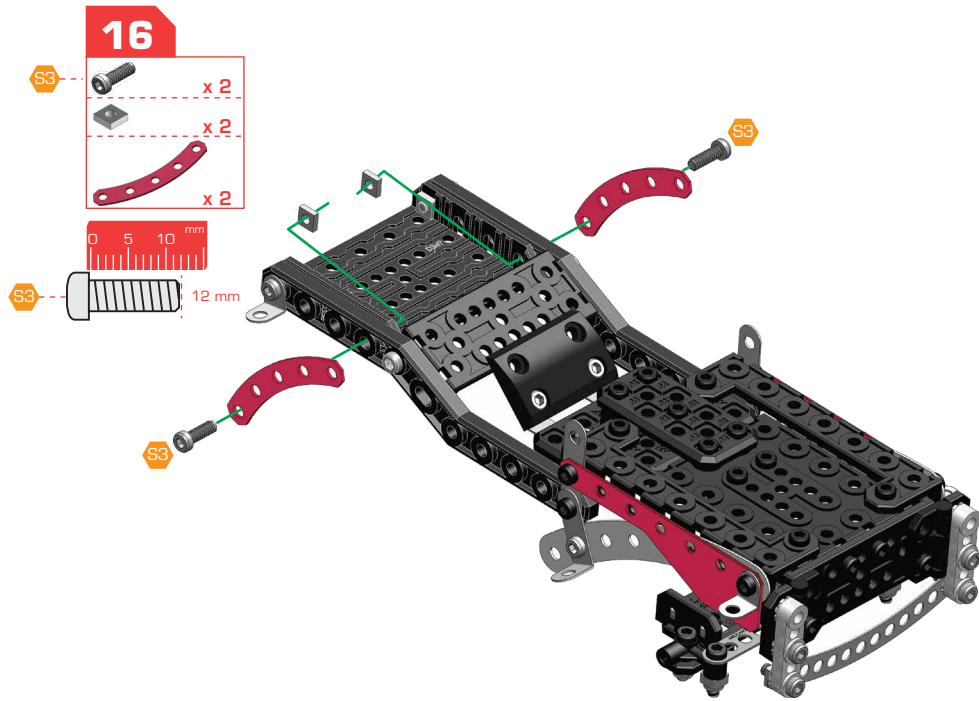


- 14**
-  x 2
  -  x 2
  -  x 2
  -  x 1
- 0 5 10 mm
-  12 mm

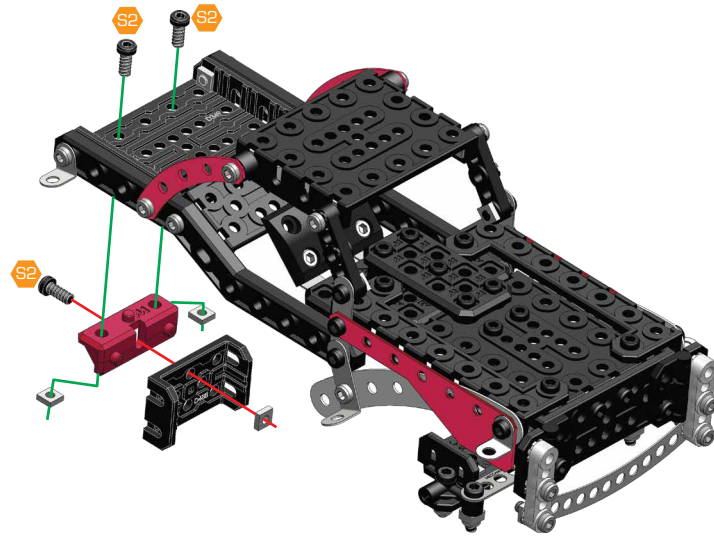


- 15**
-  x 2
  -  x 2
  -  x 2
  -  x 1
- 0 5 10 mm
-  12 mm

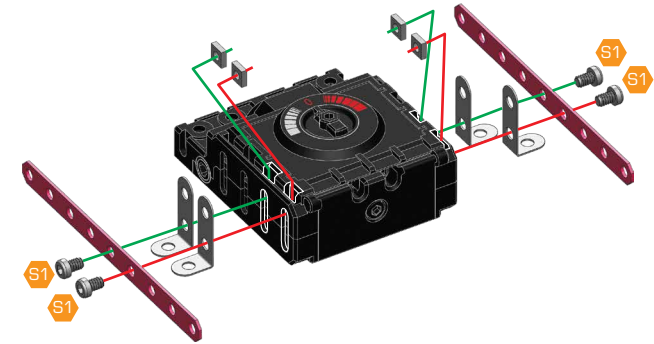




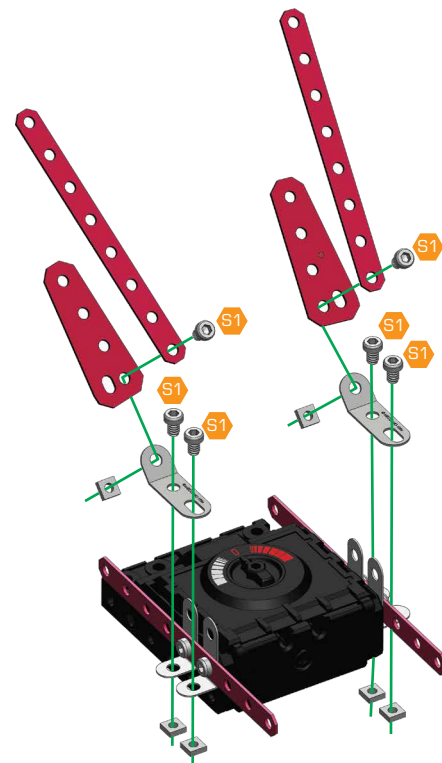
- 19**
- x 3
  - x 3
  - x 1
  - x 1
- 0 5 10 15 20 mm
- 9.5 mm



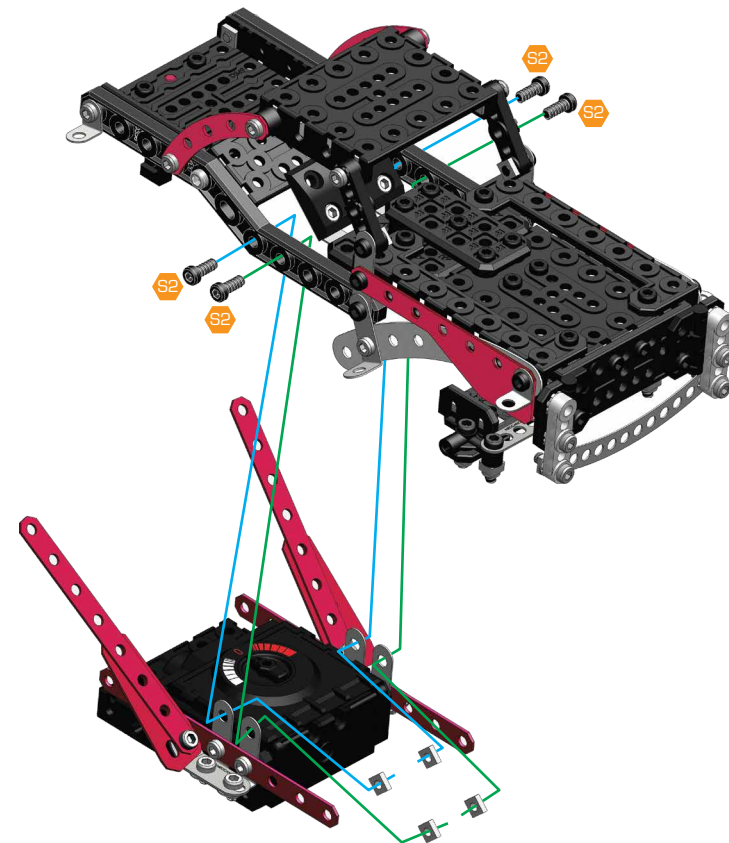
- 20**
- x 4
  - x 4
  - x 4
  - x 2
  - x 1
- 0 5 10 mm
- 5.8 mm

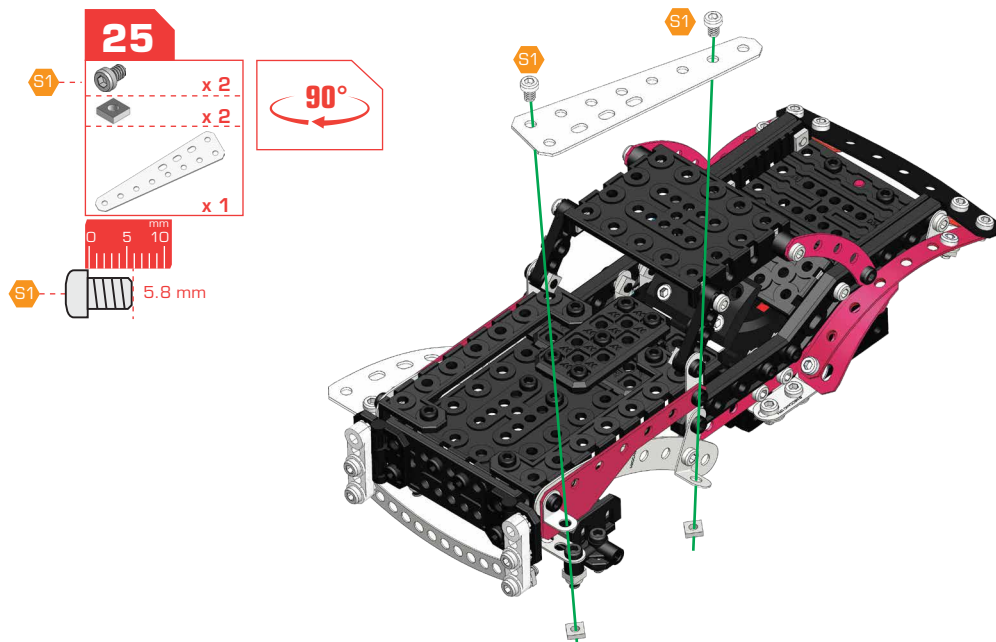
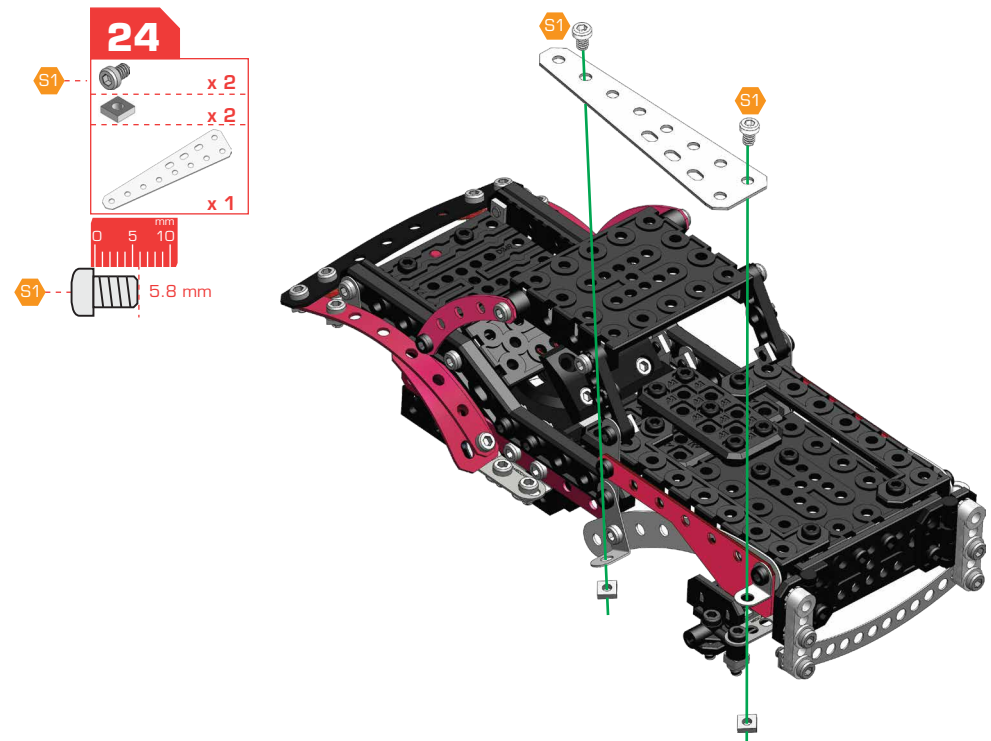
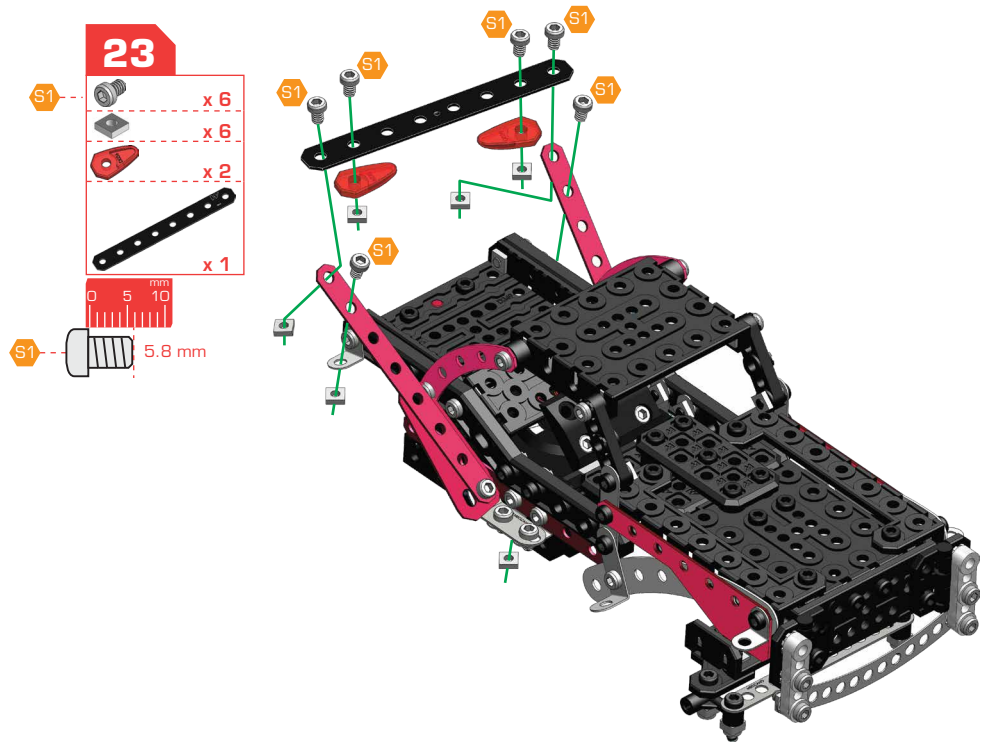


- 21** 1+
- x 6
  - x 6
  - x 2
  - x 2
  - x 2
- 0 5 10 mm
- 5.8 mm

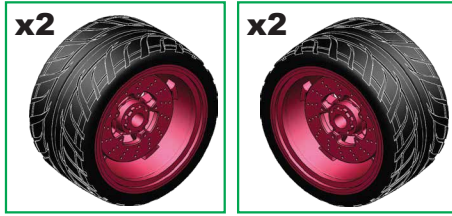


- 22** 19+21
- x 4
  - x 4
- 0 5 10 15 20 mm
- 9.5 mm

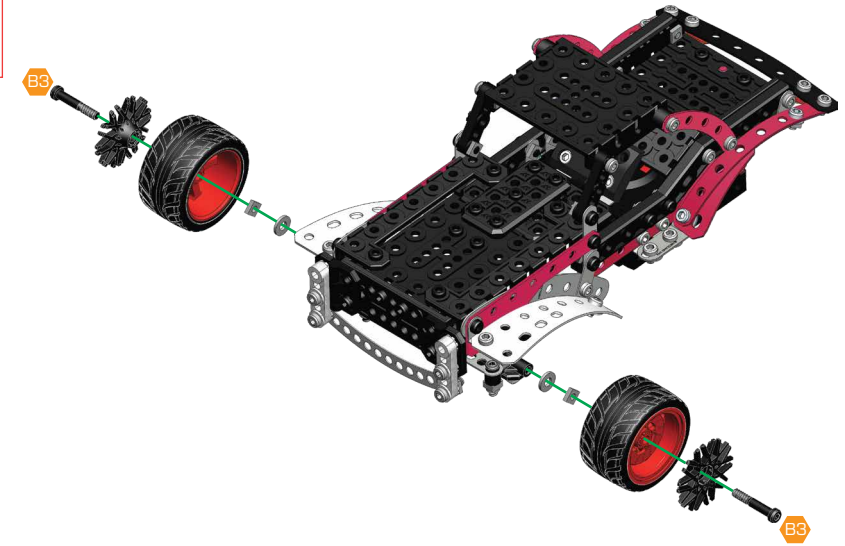
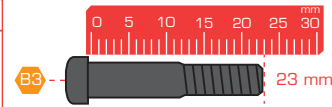
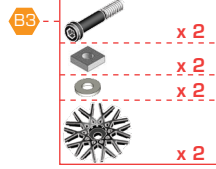




26



27 25+26



28 26+27

