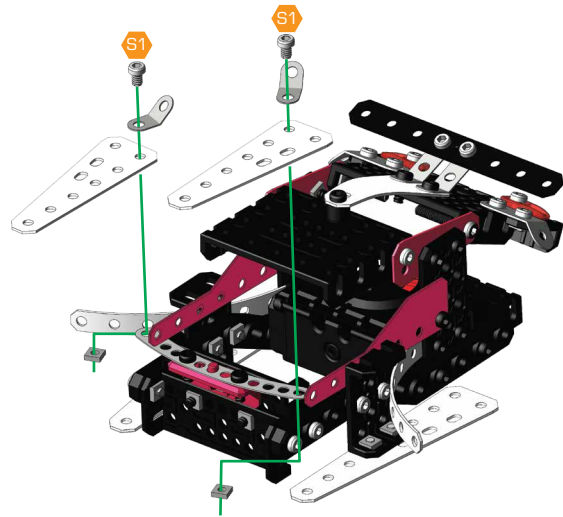
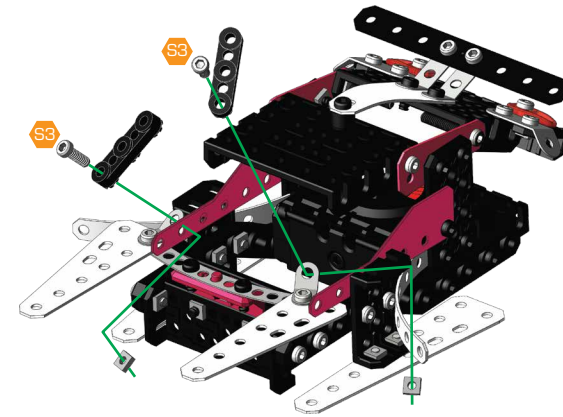


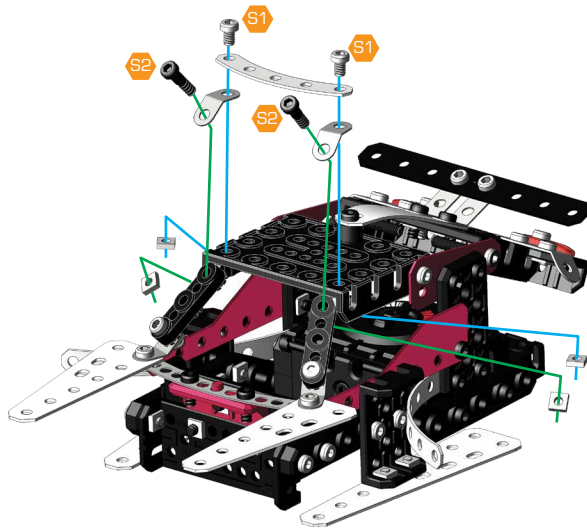
- 19**
- S1 x 2
  - x 2
  - x 2
  - x 2
- 0 5 10 mm
- S1 5.8 mm



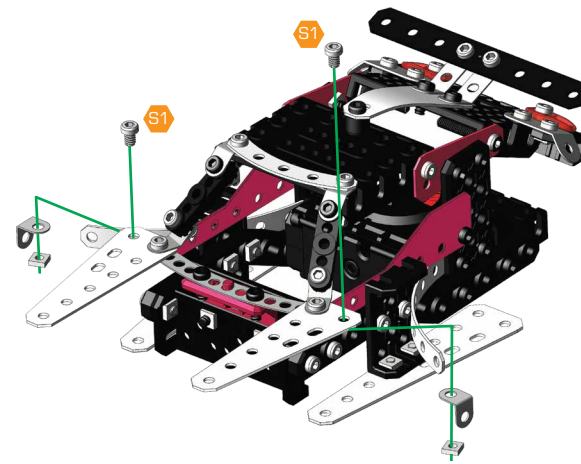
- 20**
- S3 x 2
  - x 2
  - x 2
- 0 5 10 mm
- S3 12 mm

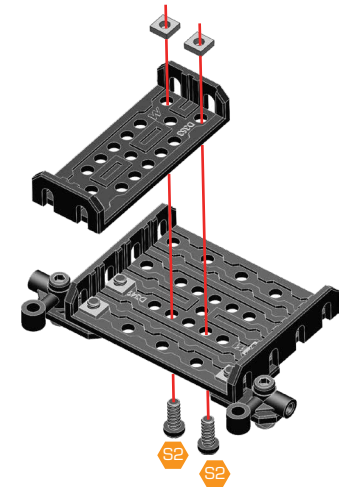
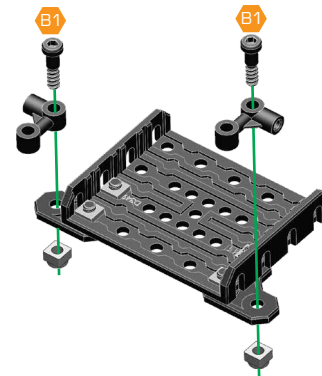
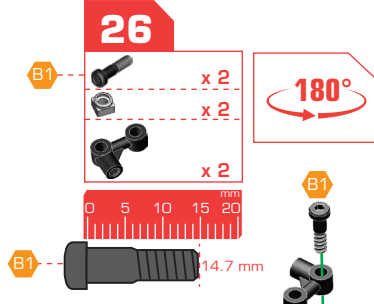
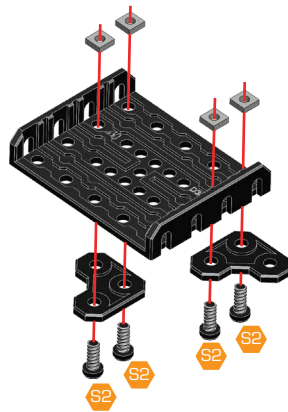
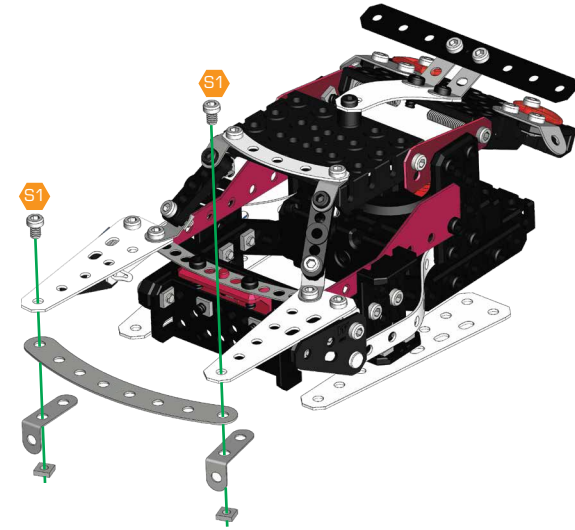
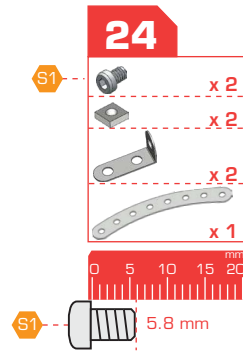
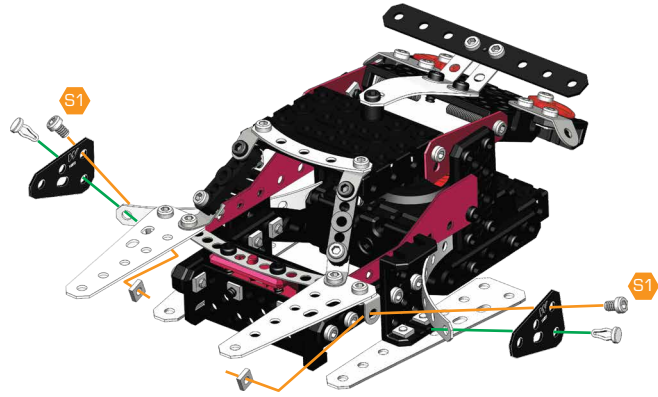
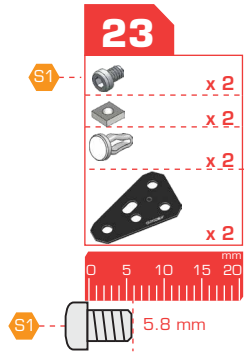


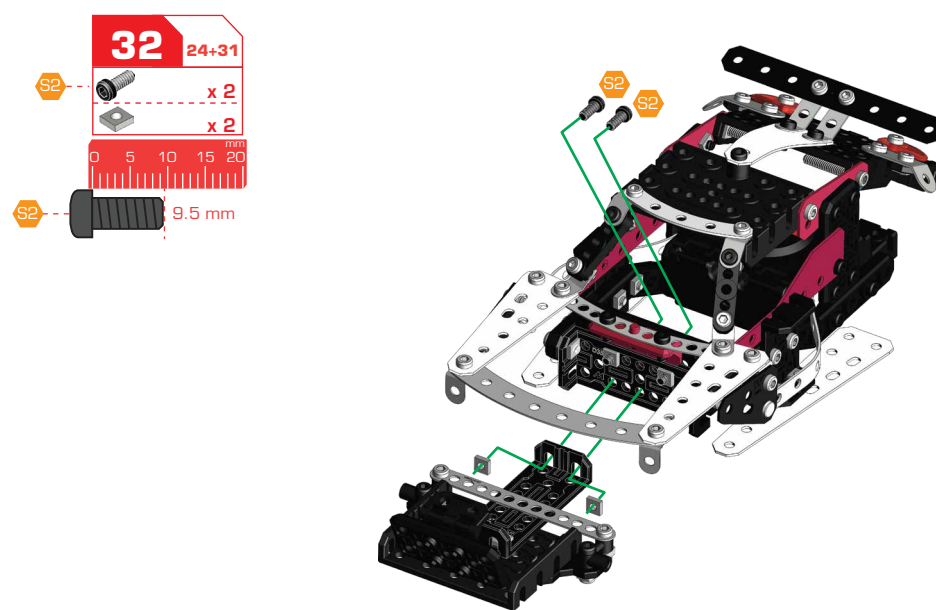
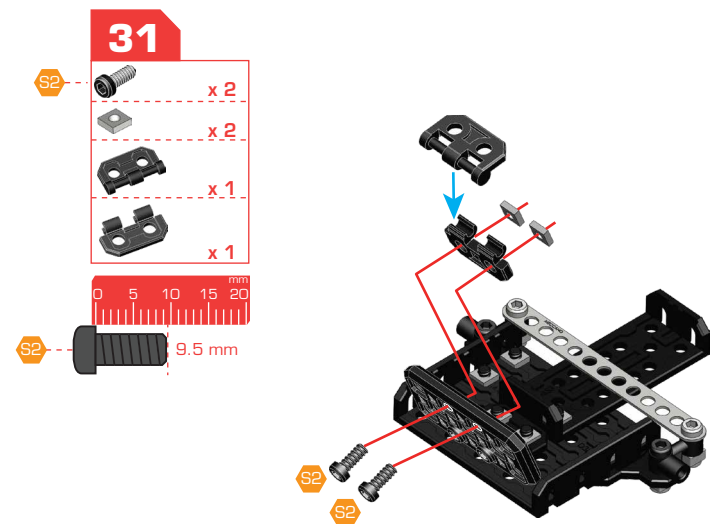
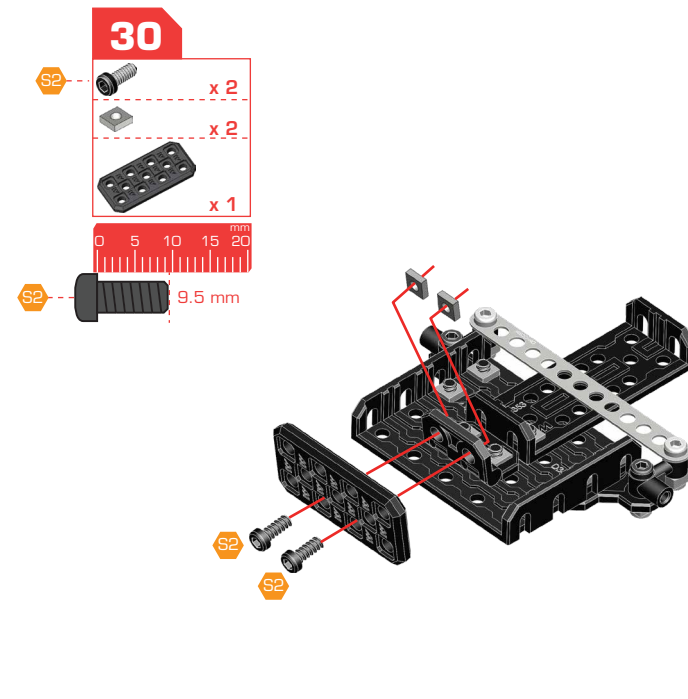
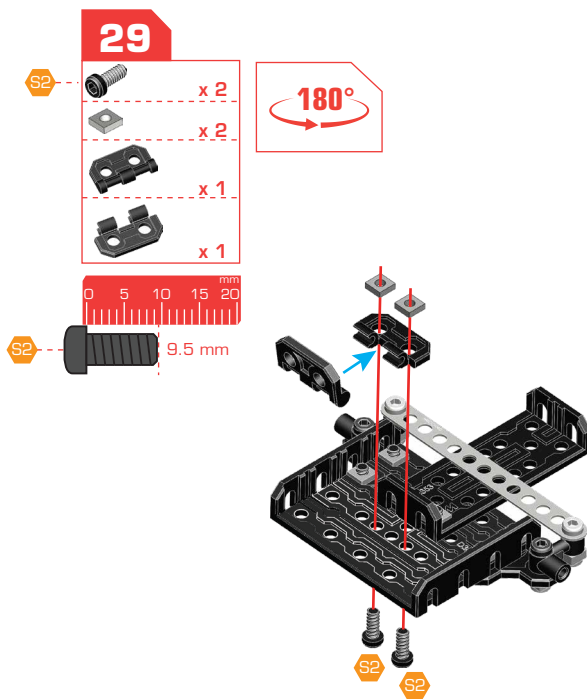
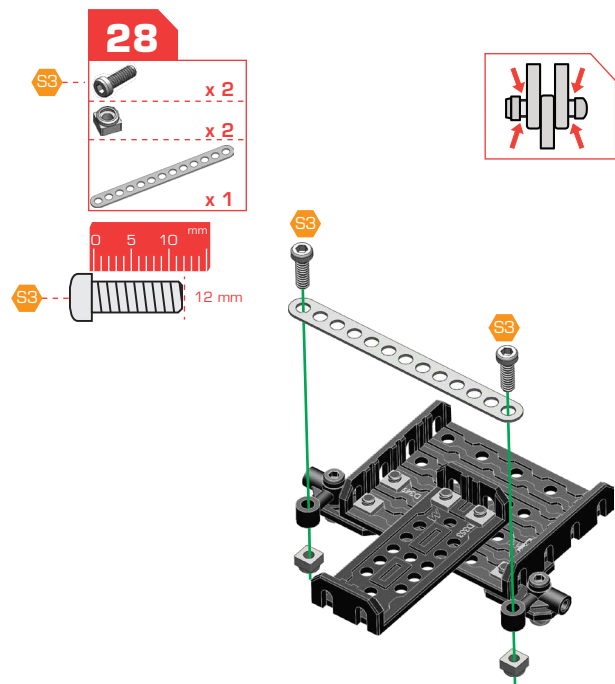
- 21**
- S1 x 2
  - S2 x 2
  - x 4
  - x 2
  - x 1
- 0 5 10 15 20 mm
- S1 5.8 mm
- S2 9.5 mm

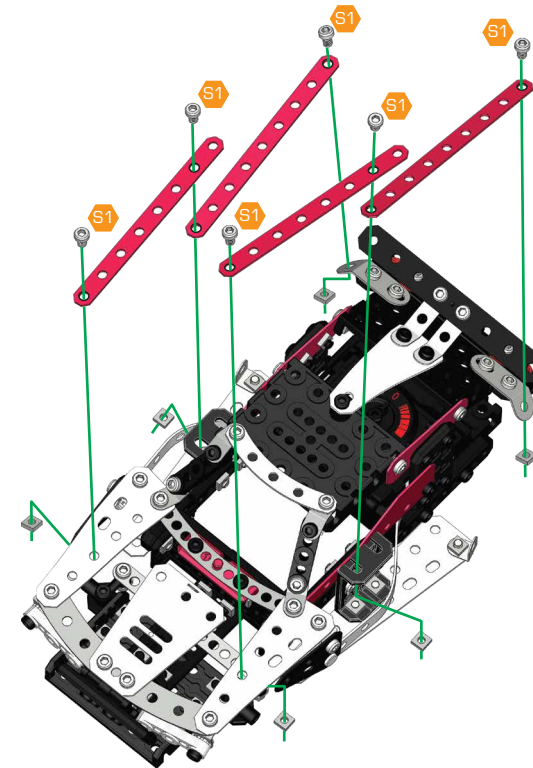
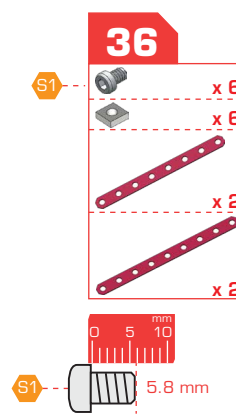
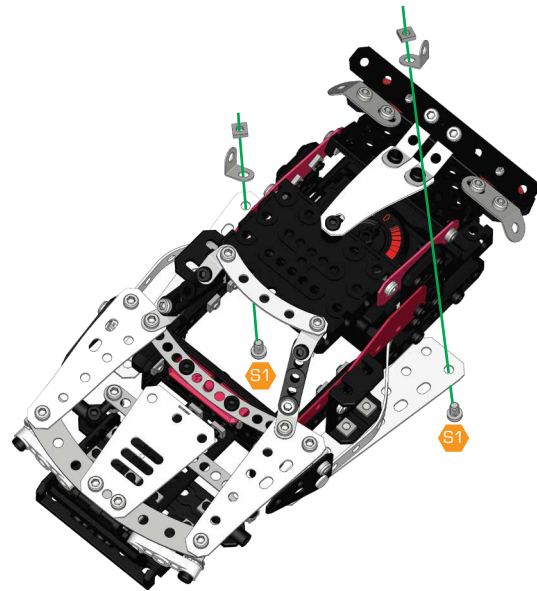
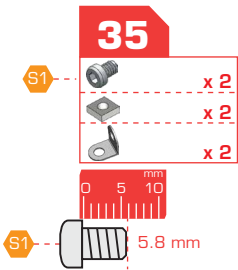
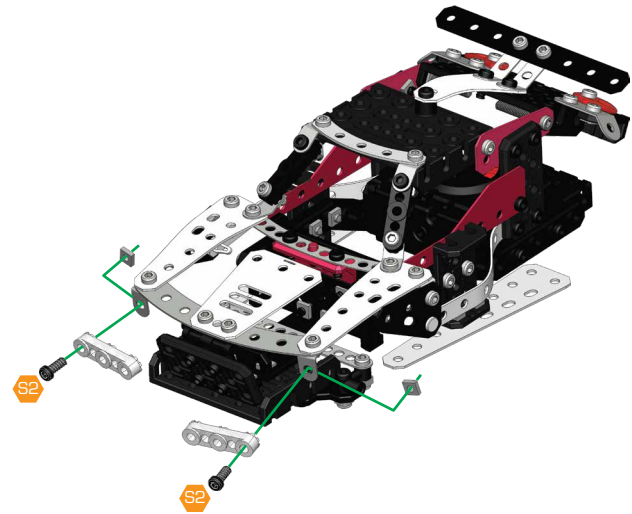
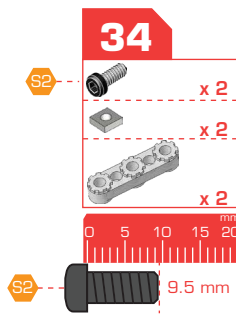
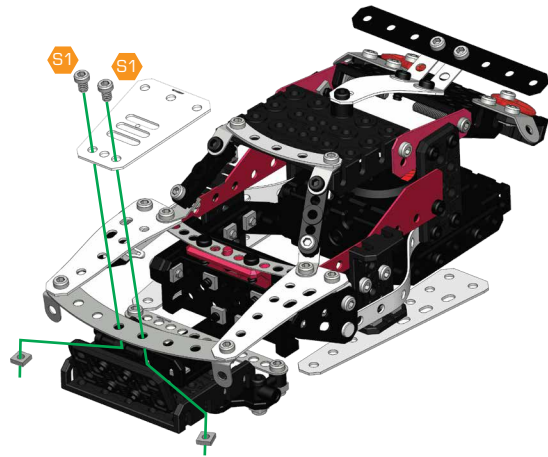
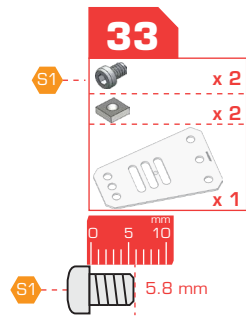


- 22**
- S1 x 2
  - x 2
  - x 2
- 0 5 10 mm
- S1 5.8 mm











**37**

- x 1
- x 1
- x 1
- x 1

5.8 mm

**38**

- x 1
- x 1
- x 1
- x 1

90°

5.8 mm

**39**

- x 4
- x 4
- x 4

**x2**

**x2**

**40** **38+39**


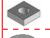

- x 2
- x 2
- x 2
- x 1

90°


0 5 10 15 20 25 30 35 40 45 50 55 60 65 70 75 80 85 90 95 100 105 110 115 120 125 130 135 mm

133.4 mm

**41** 39+40

-  x 2
-  x 2
-  x 2

0 5 10 15 20 25 30 mm

 23 mm

