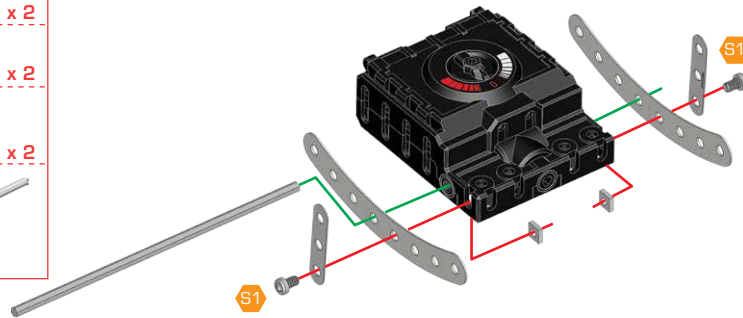


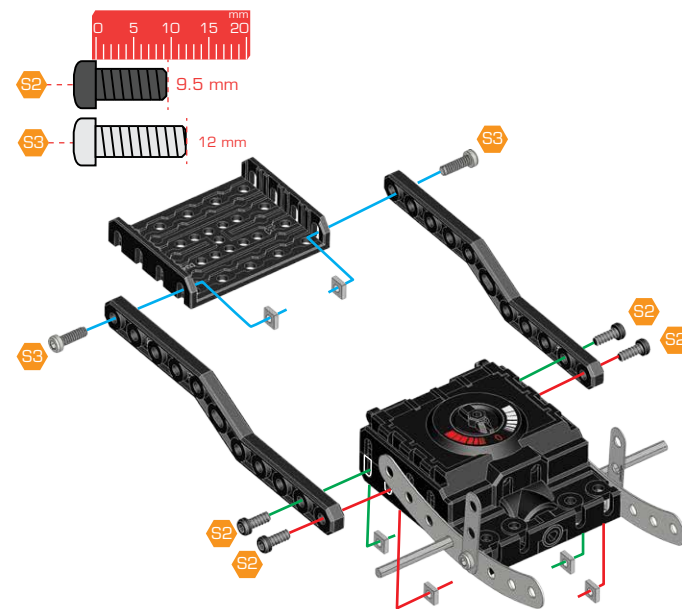
2

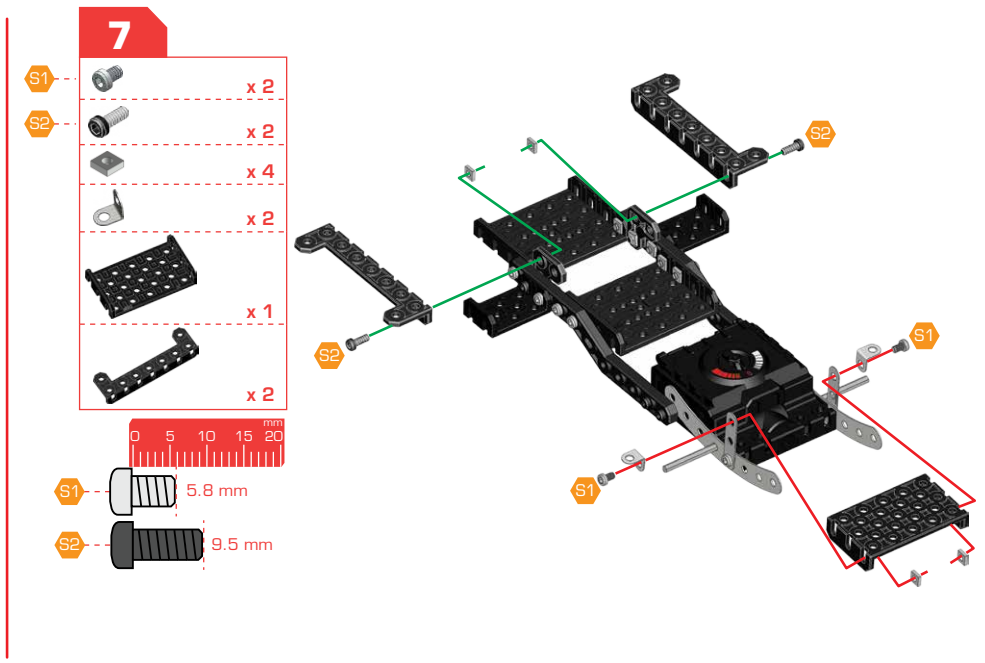
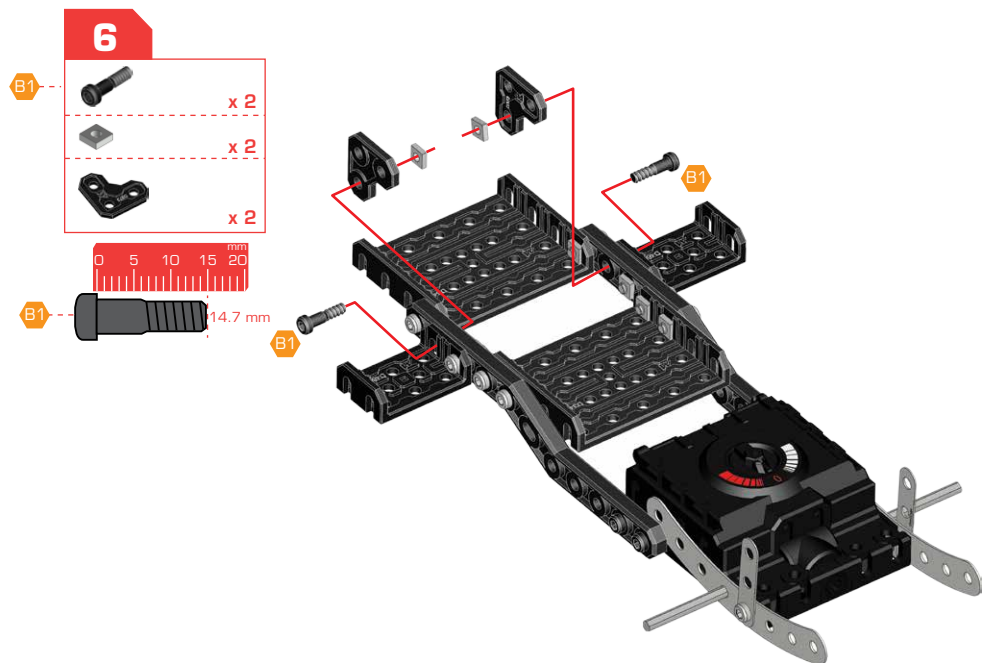
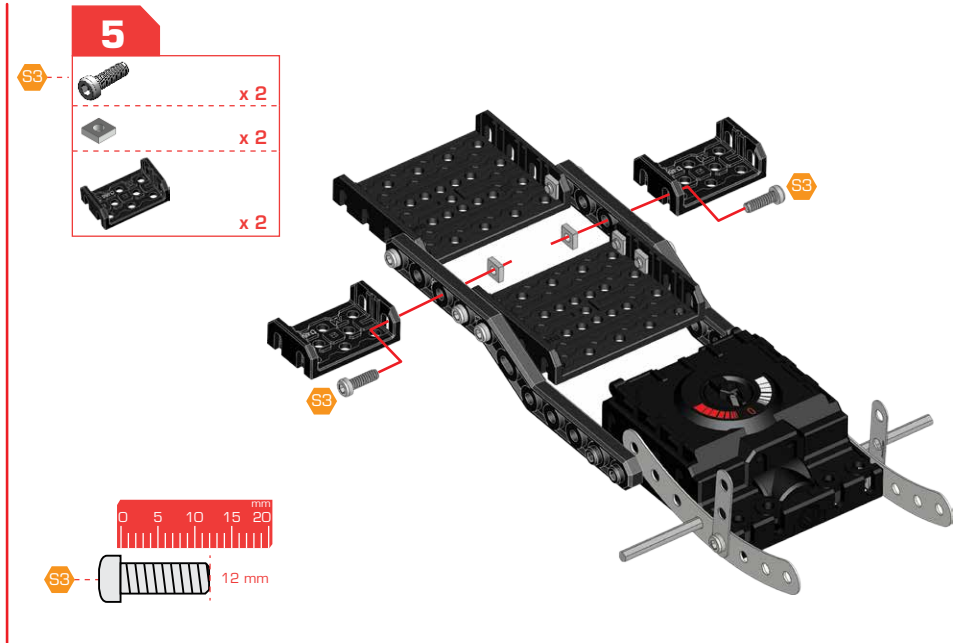
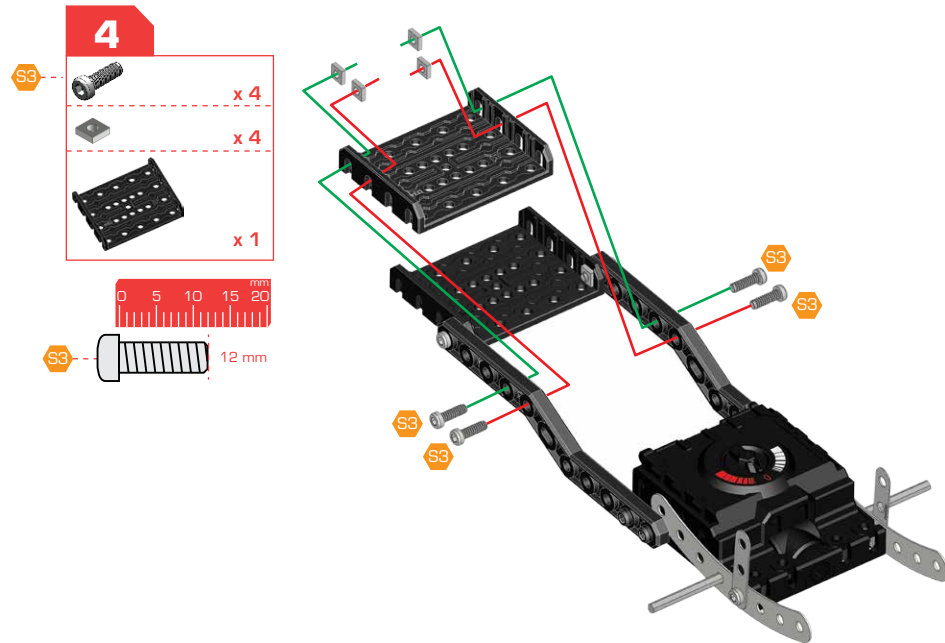
- S1 x 2
- x 2
- x 2
- x 2
- x 2

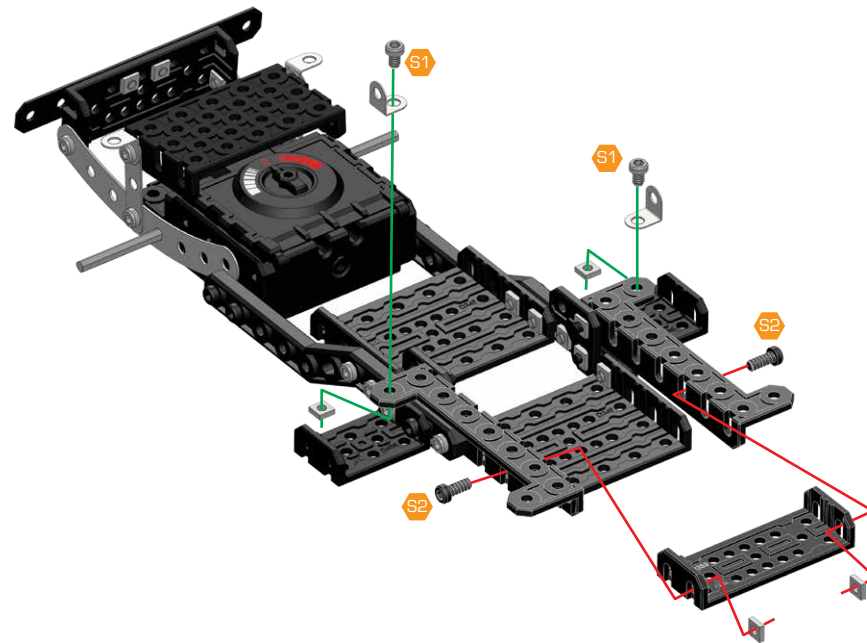
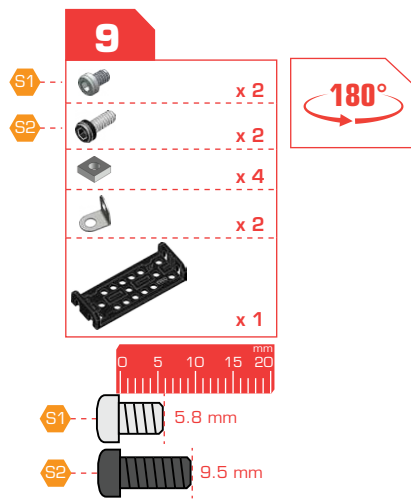
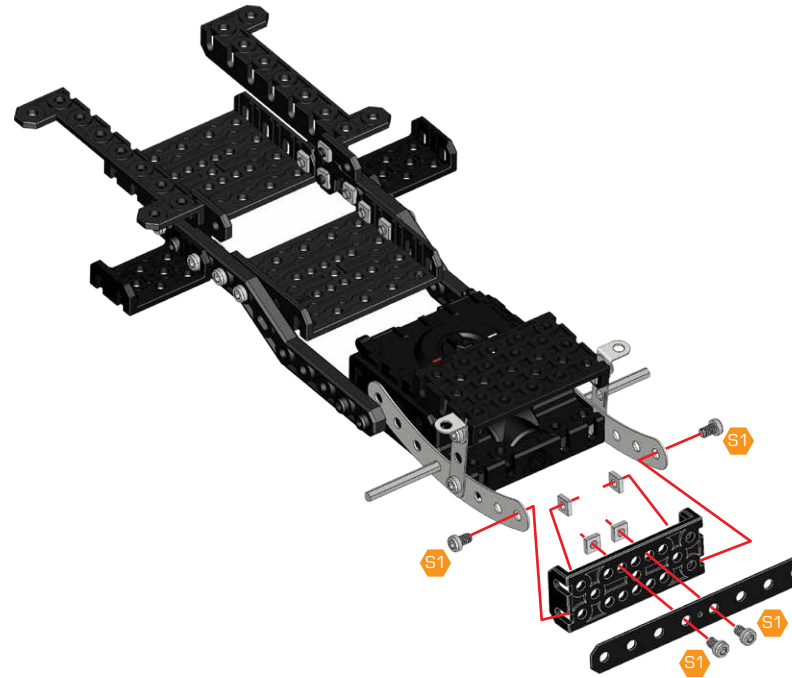
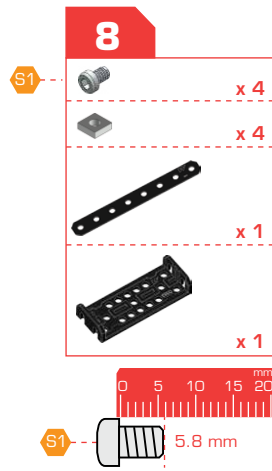


3

- S2 x 4
- S3 x 2
- x 6
- x 1
- x 2

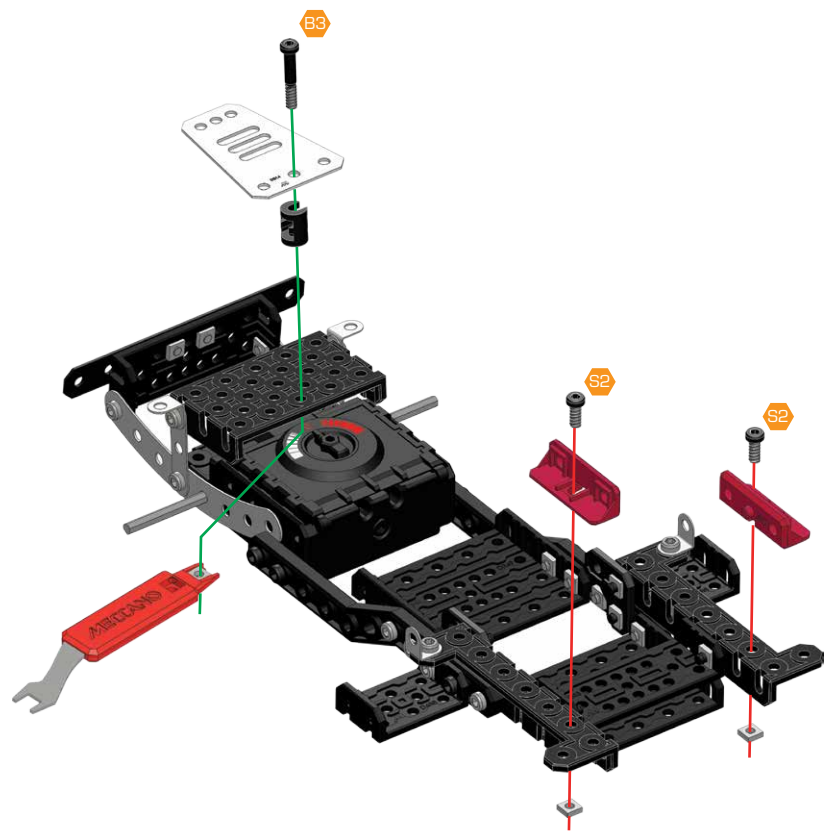
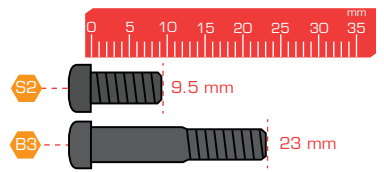






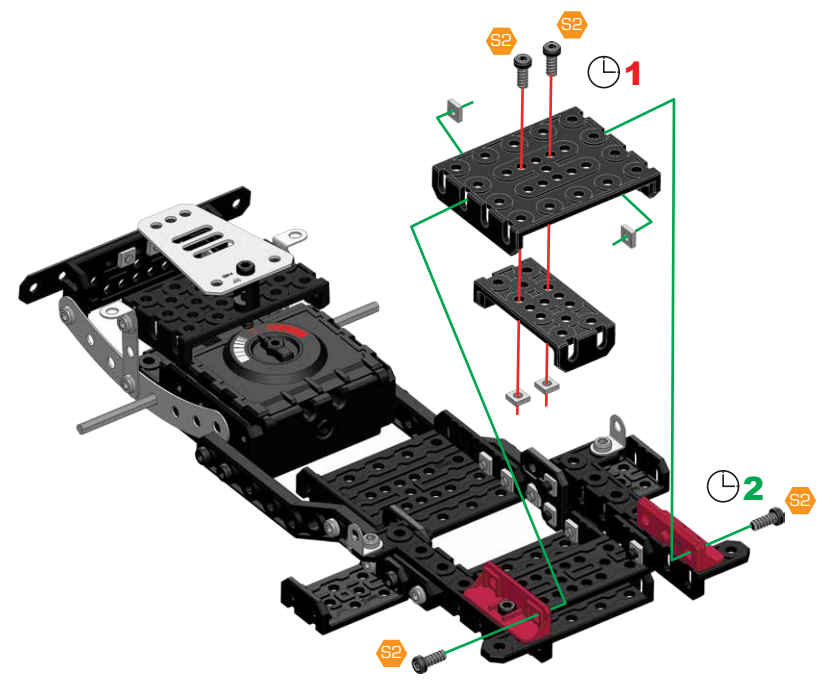
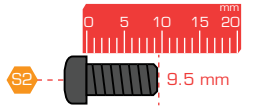
10

- S2 x 2
- B3 x 1
- x 3
- x 1
- x 2
- x 1







11


- S2 x 4
- x 4
- x 1
- x 1

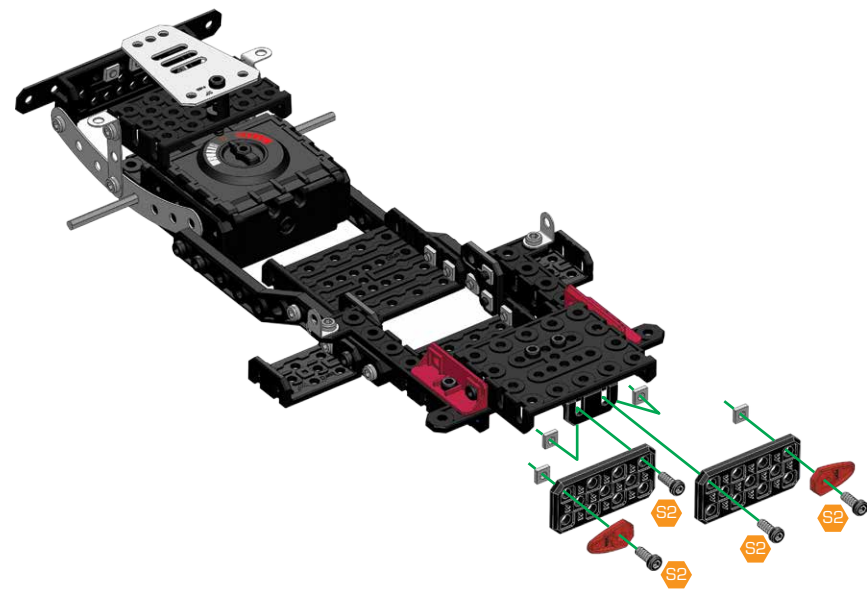


12





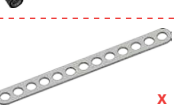
S2		x 4
		x 4
		x 2
		x 2

0 5 10 15 20 mm


S2  9.5 mm




13

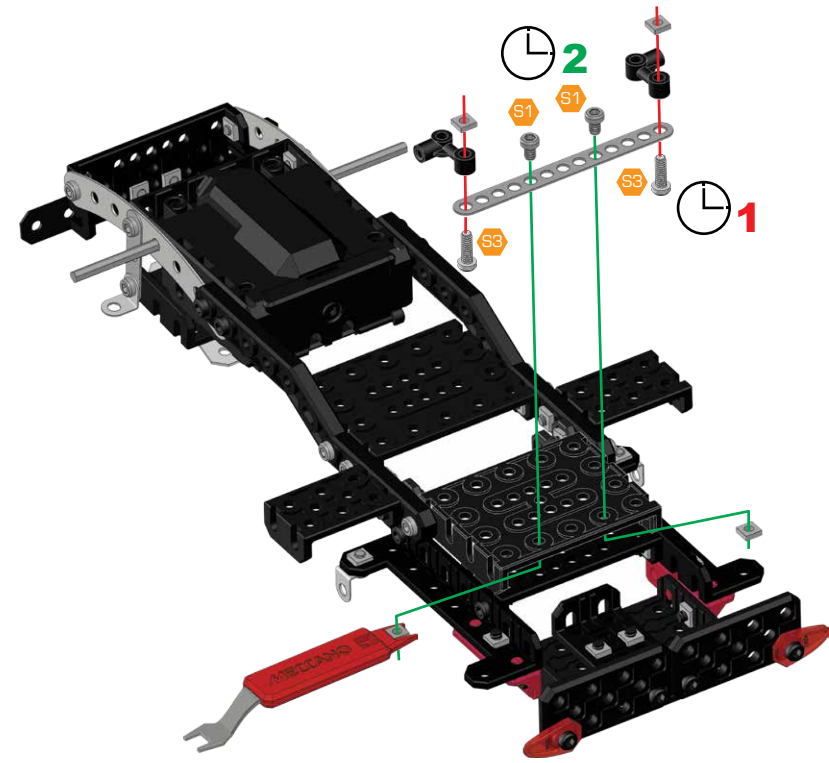
S1		x 2
S3		x 2
		x 4
		x 2
		x 1

0 5 10 15 20 mm








S1  5.8 mm

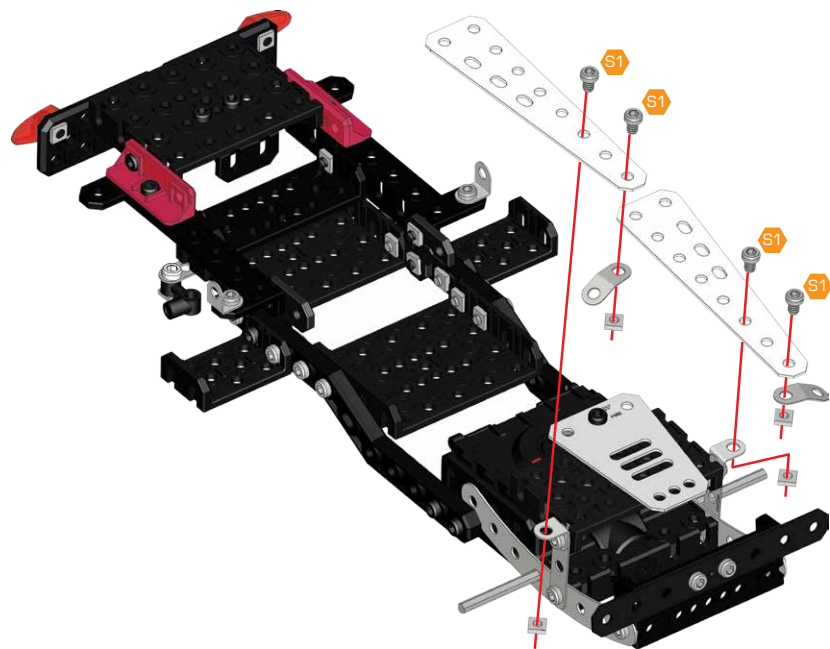
S3  12 mm

180°
















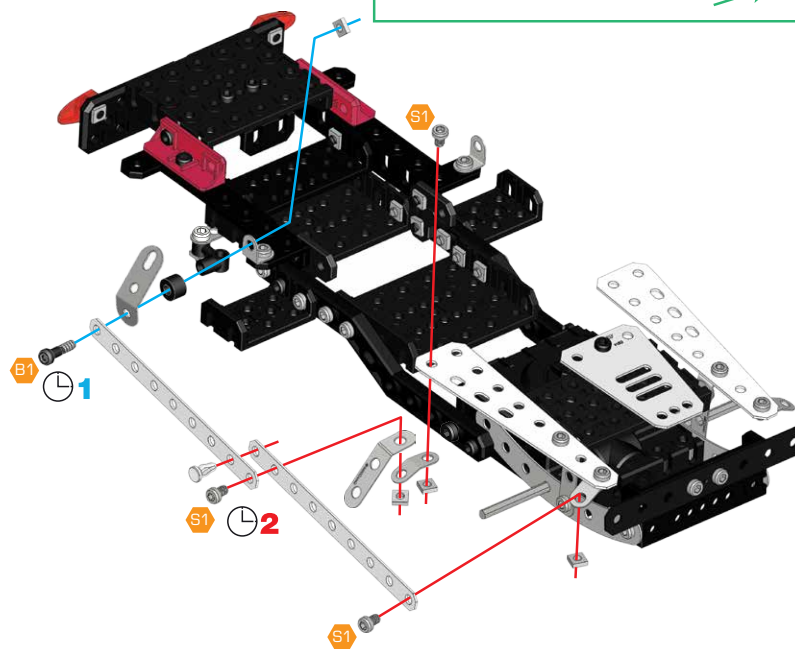
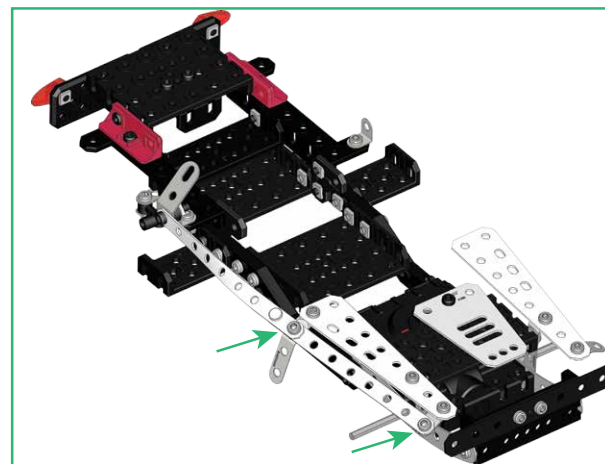
14

-  x 4
 -  x 4
 -  x 2
 -  x 2
-  180°
-  0 5 10 15 20 mm
-  5.8 mm



15

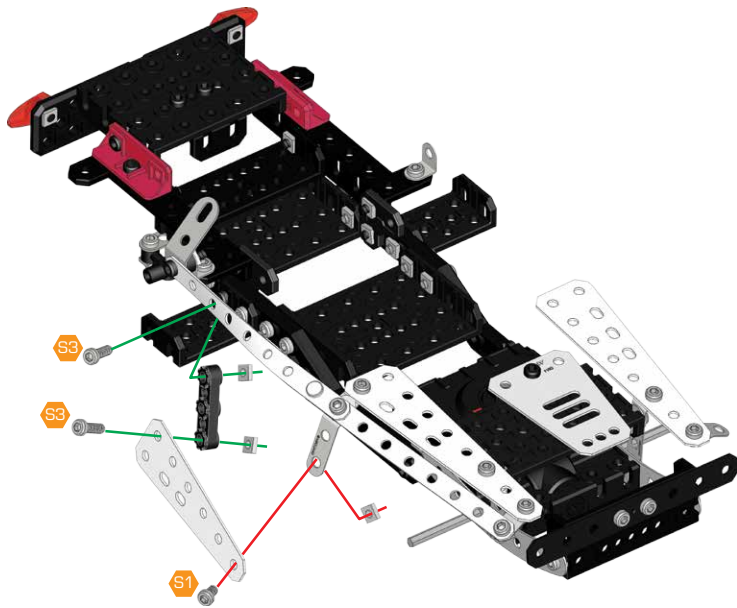
-  x 3
 -  x 1
 -  x 4
 -  x 1
 -  x 1
 -  x 1
 -  x 1
 -  x 1
 -  x 1
 -  x 2
-  0 5 10 15 20 mm
-  5.8 mm
-  14.7 mm



16

S1		x 1
S3		x 2
		x 3
		x 1
		x 1

5.8 mm
 12 mm

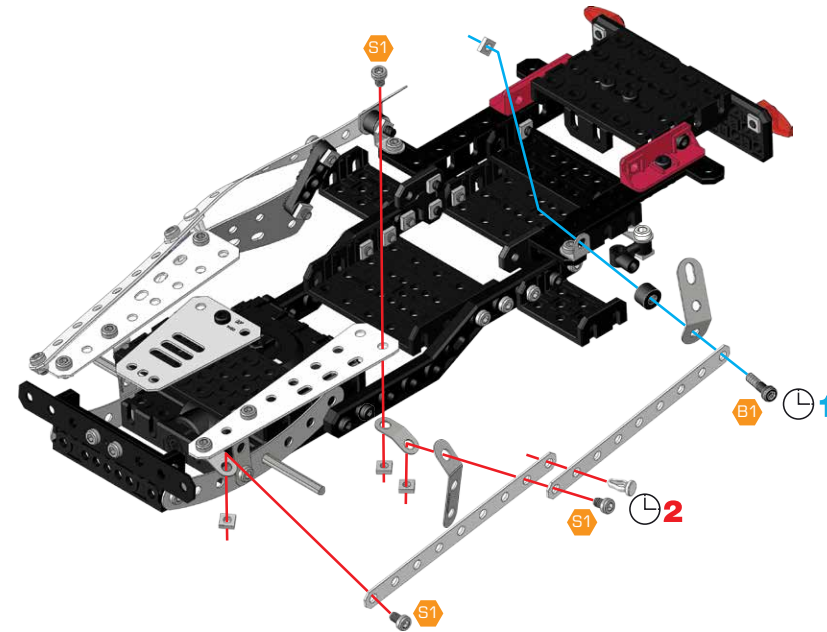
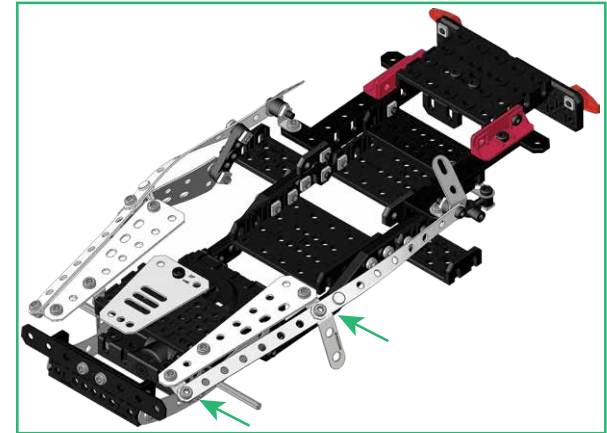


17

S1		x 3
B1		x 1
		x 4
		x 1
		x 1
		x 1
		x 1
		x 2

5.8 mm
 14.7 mm

90°



18

S1		x 1
S3		x 2
		x 3
		x 1
		x 1

S1 5.8 mm
S3 12 mm

19

	x 4
	x 4

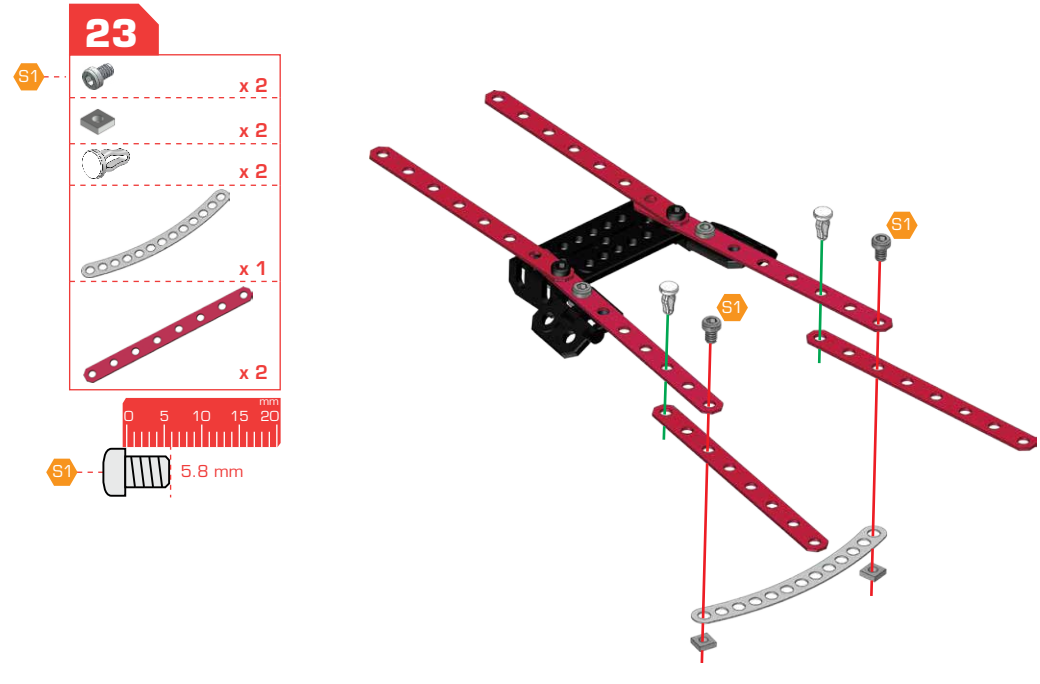
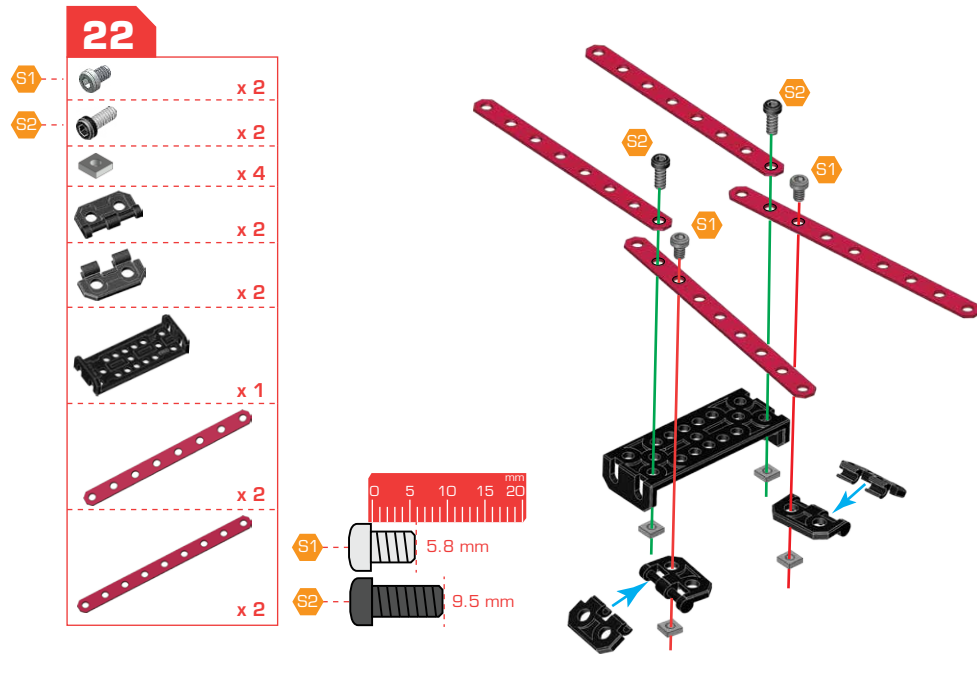
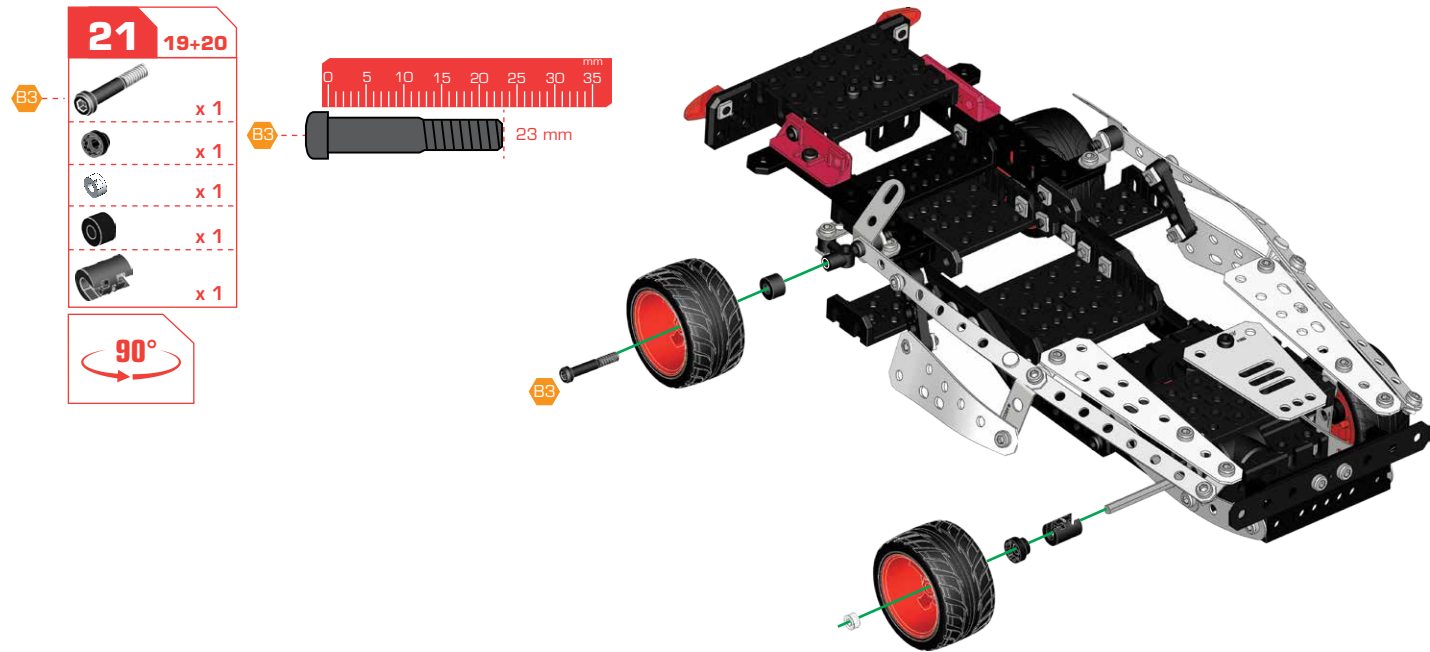
x2

x2

20 18+19

B3		x 1
		x 1
		x 1
		x 1
		x 1

B3 23 mm

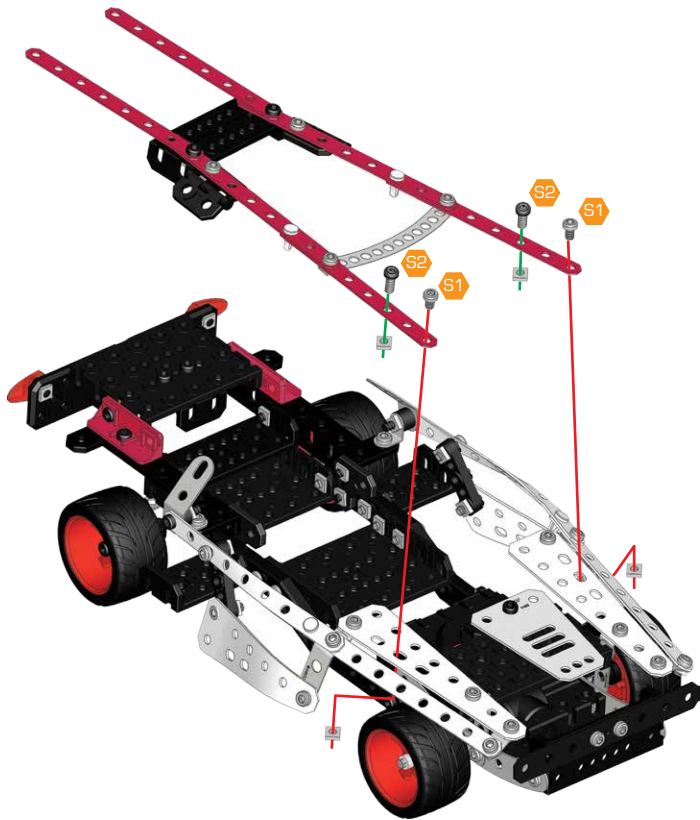


24 21+23

S1		x 2
S2		x 2
		x 4

S1 5.8 mm

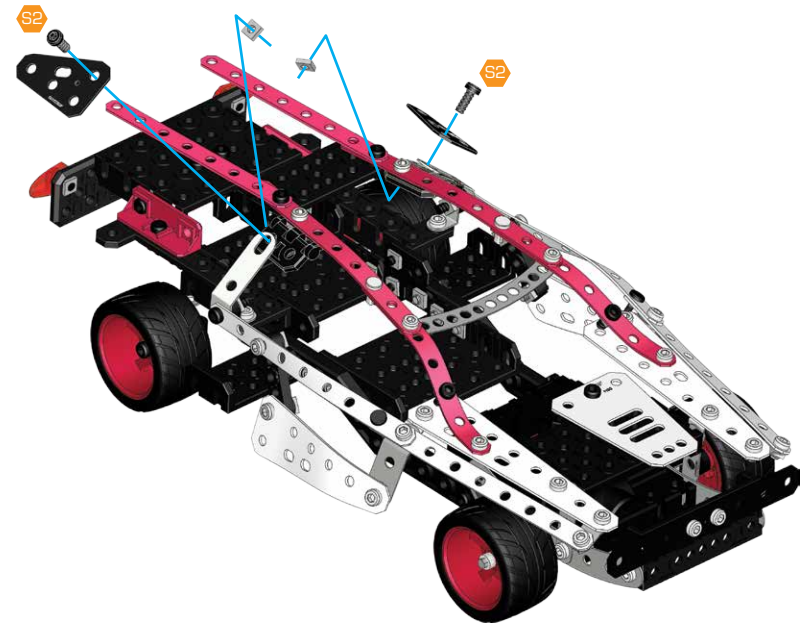
S2 9.5 mm







25


S2		x 2
		x 2
		x 2


S2 9.5 mm

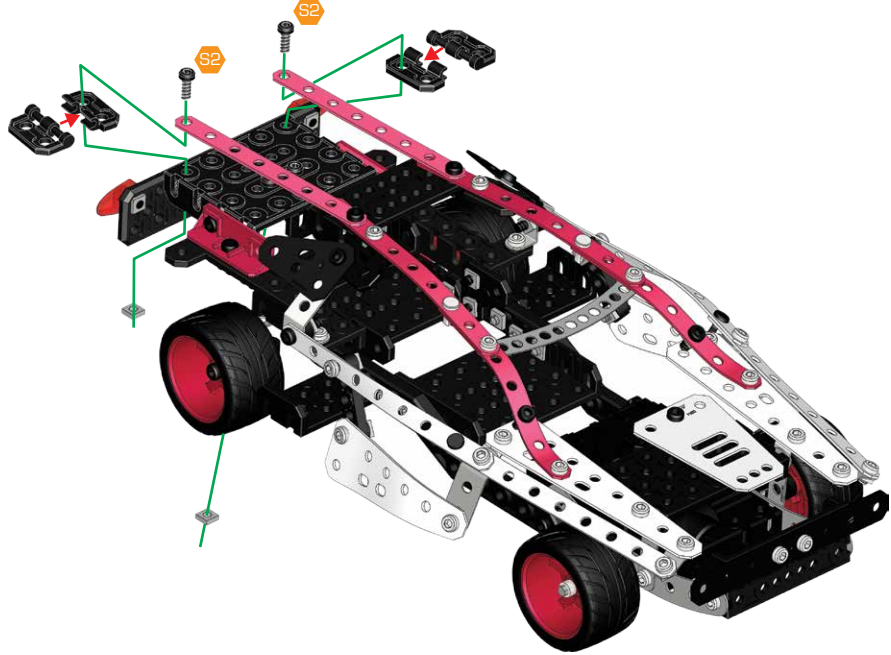


26







-  x 2
-  x 2
-  x 2
-  x 2


 0 5 10 15 20 mm

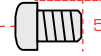

-  9.5 mm

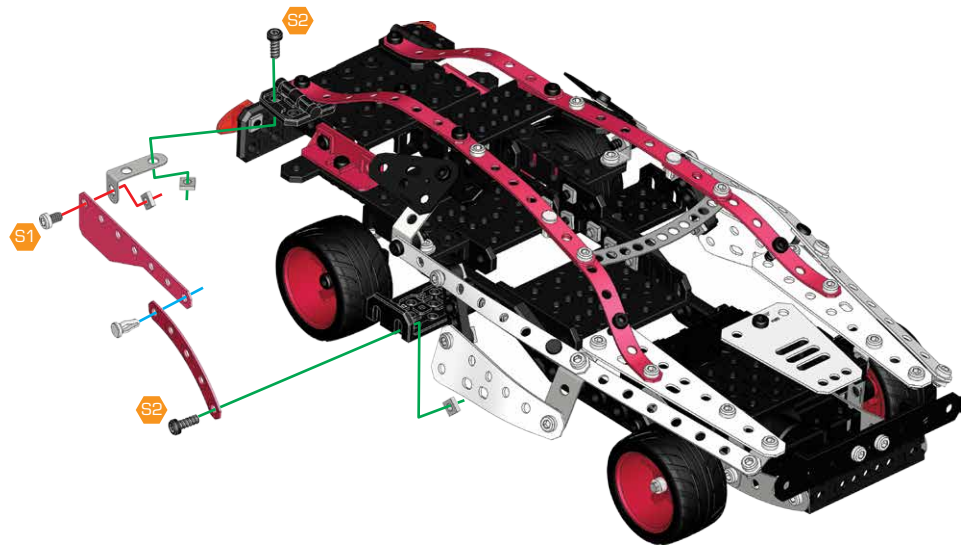


27

-  x 1
-  x 2
-  x 3
-  x 1
-  x 1
-  x 1
-  x 1

 0 5 10 15 20 mm

-  5.8 mm
-  9.5 mm



28

- S1 x 1
- S2 x 2
- x 3
- x 1
- x 1
- x 1
- x 1
- x 1

