



1

x 1

x 1

+

-

+

-

5

2

x 1

x 1

x 1

3

x 4

x 4

x 2

x 1

S2

S2

9.5 mm

S2

S2

4

x 2

x 2

x 1

x 1

S2

S2

9.5 mm

S2

5

x 4

x 4

x 2

S1

S1

5.8 mm

S1

S1

6

x 2

x 2

x 2

x 1

x 1

S2

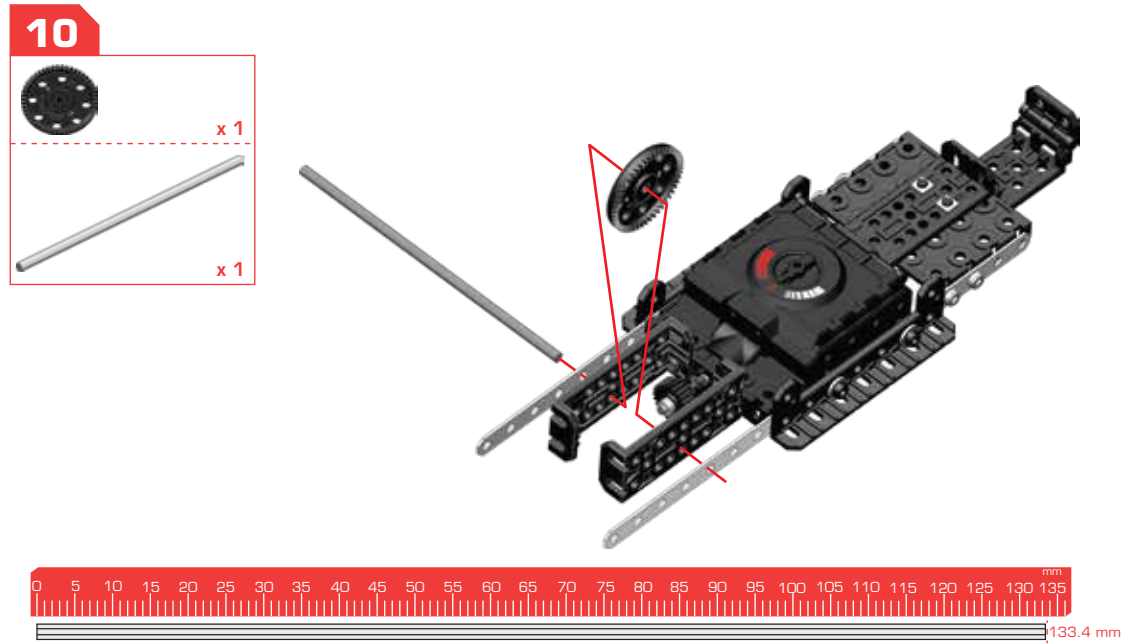
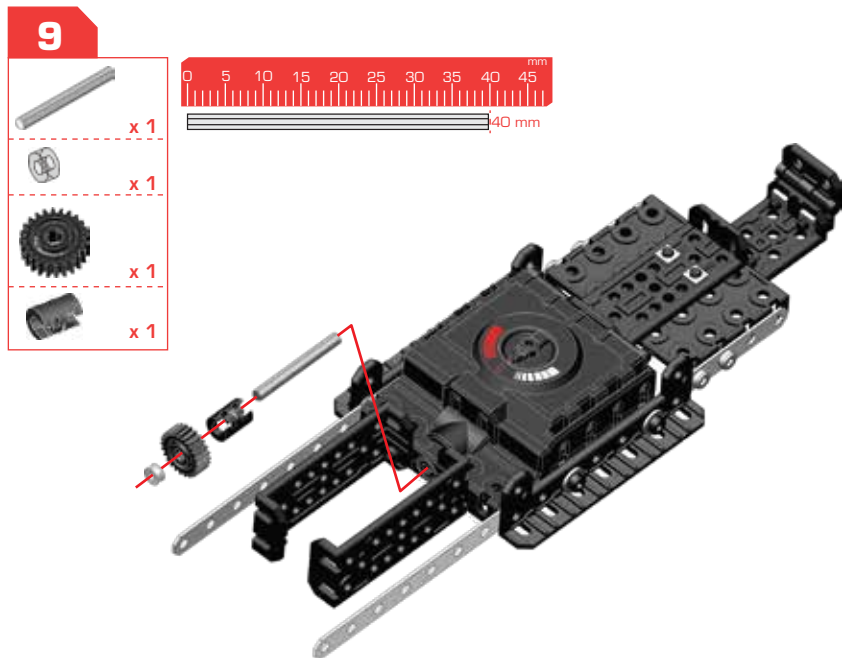
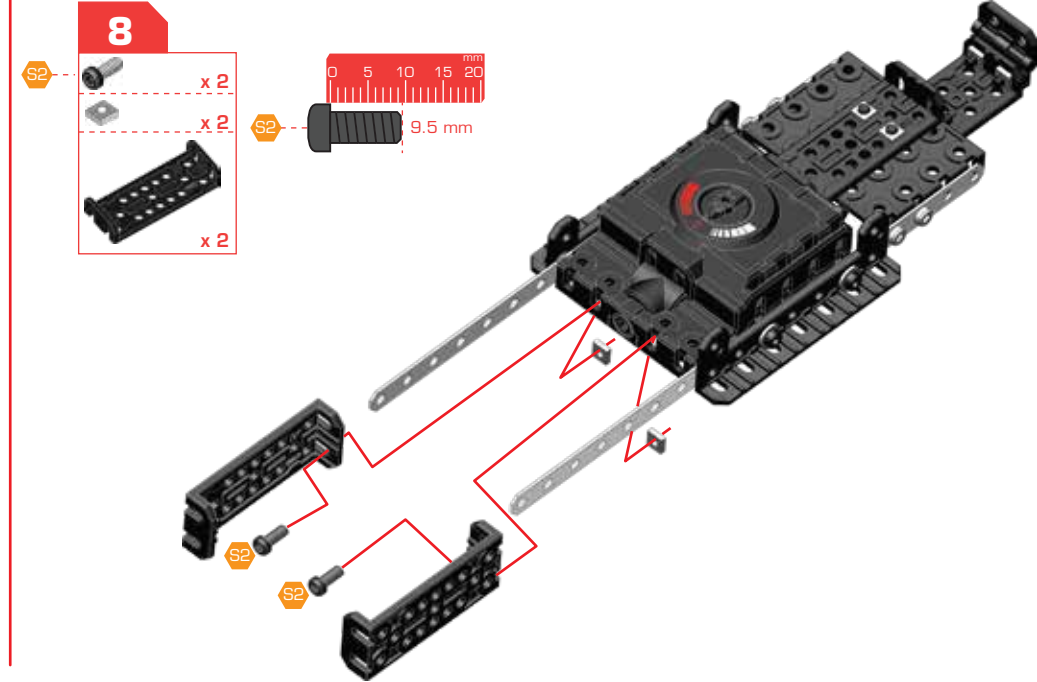
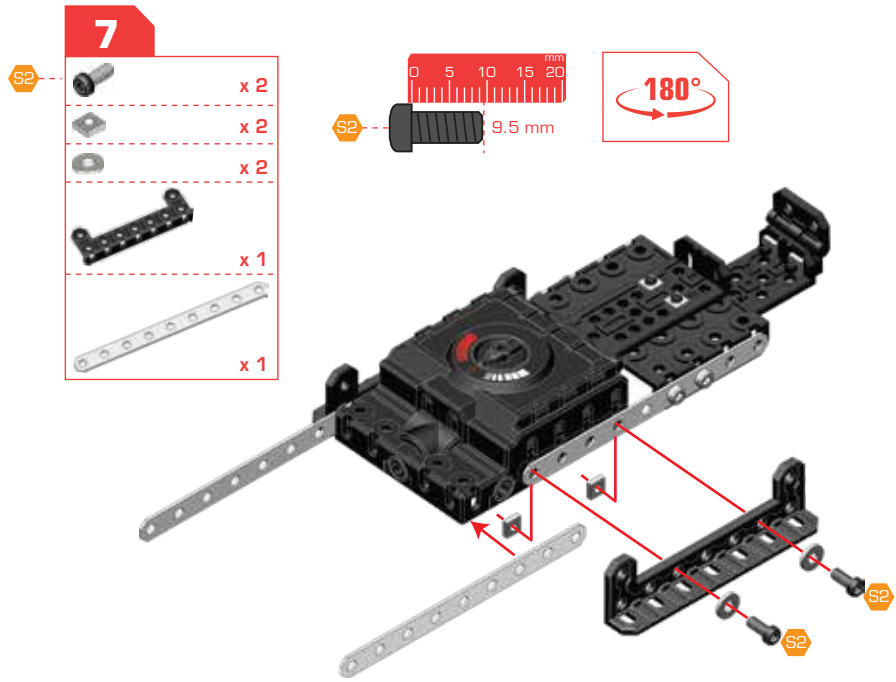
S2

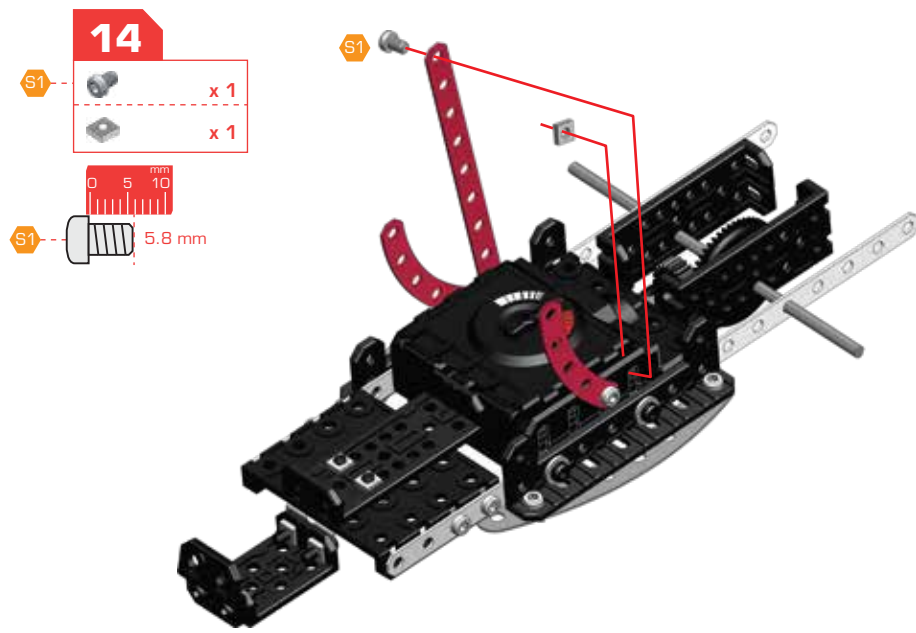
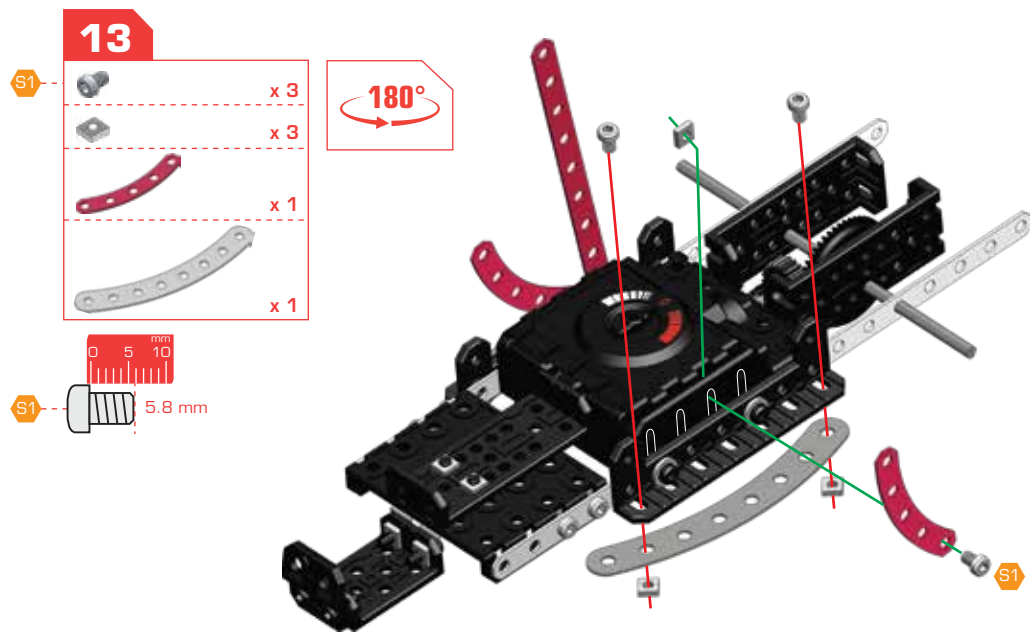
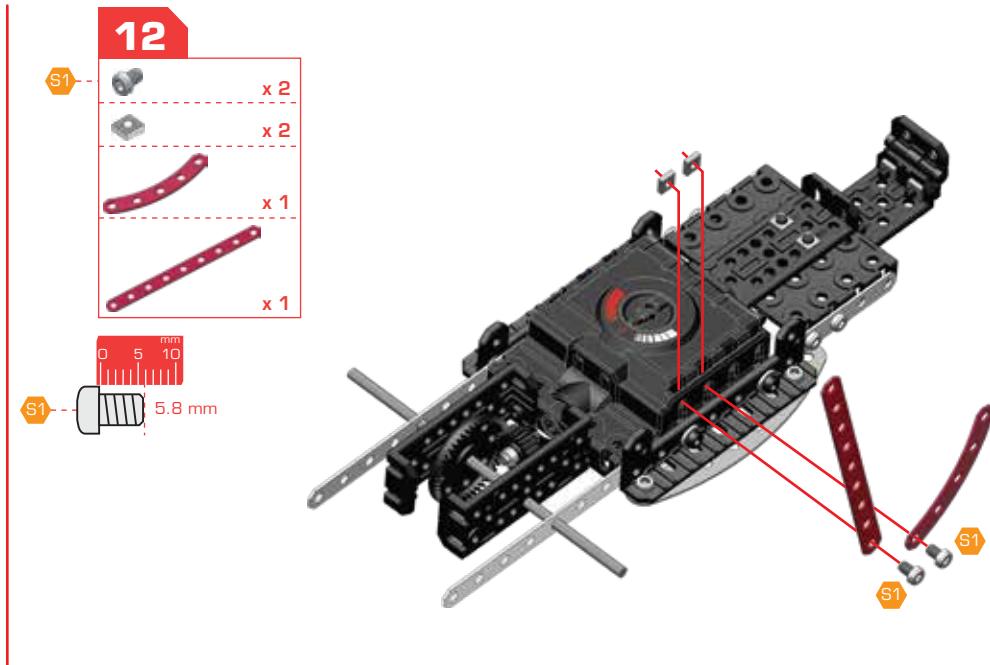
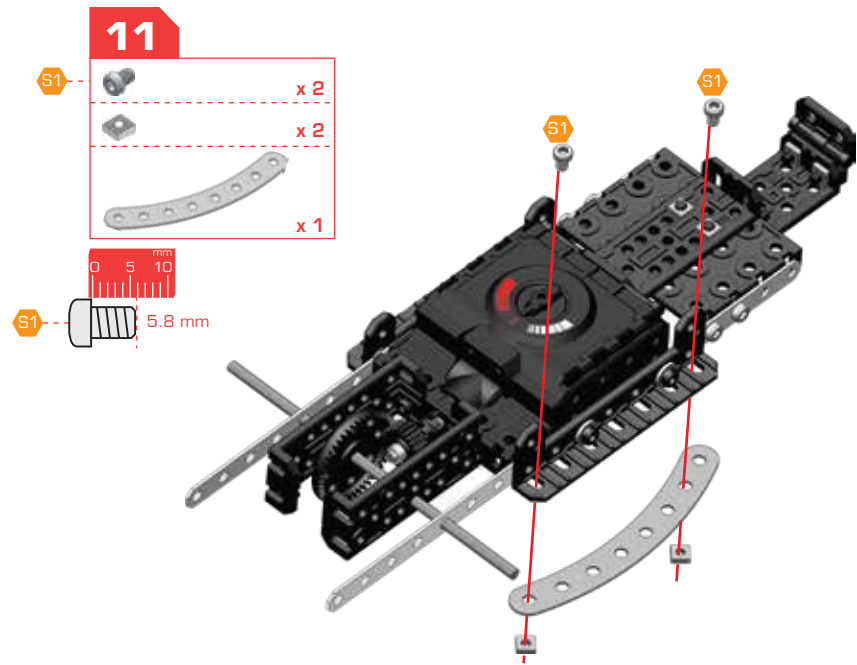
9.5 mm

180°

S2

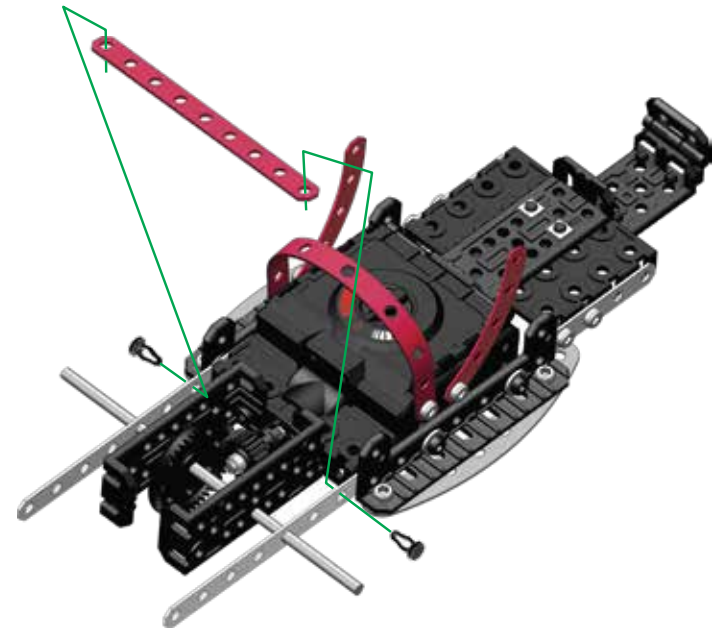
S2









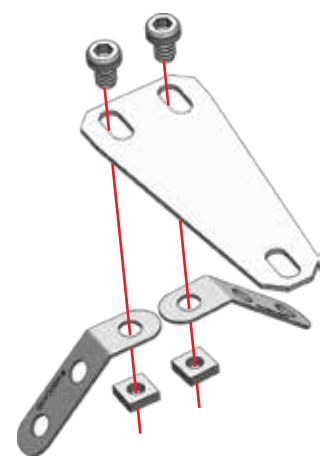
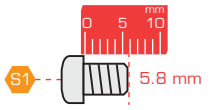
15

-  x 2
-  x 1







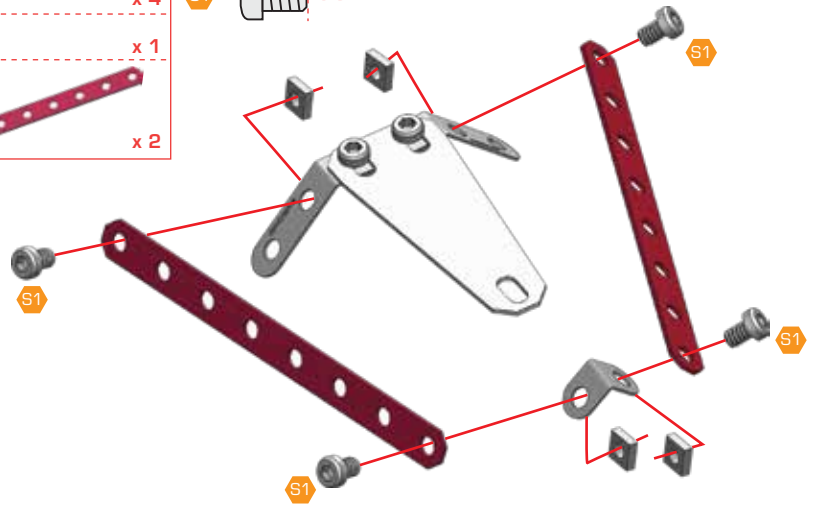
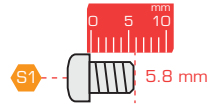
16

-  x 2
-  x 2
-  x 2
-  x 1



17

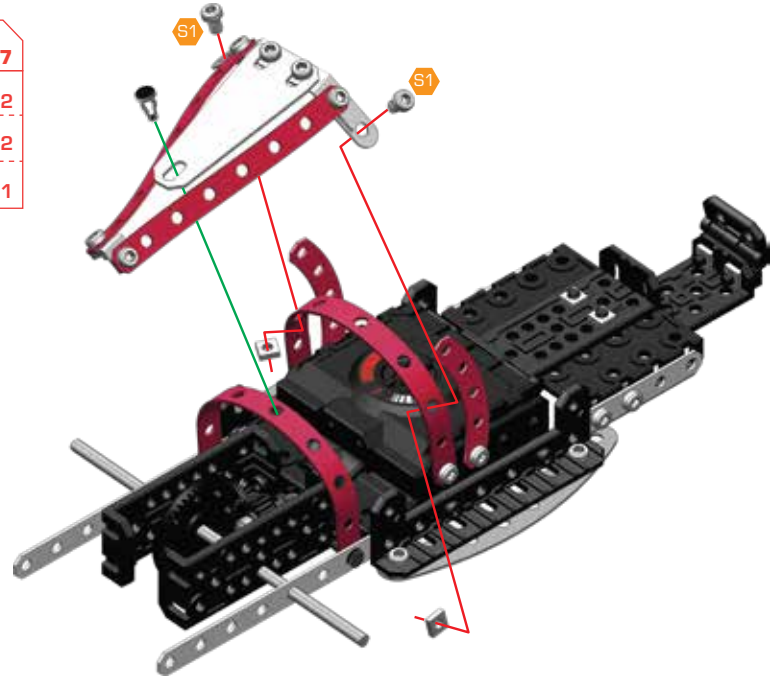
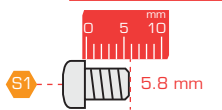
-  x 4
-  x 4
-  x 1
-  x 2

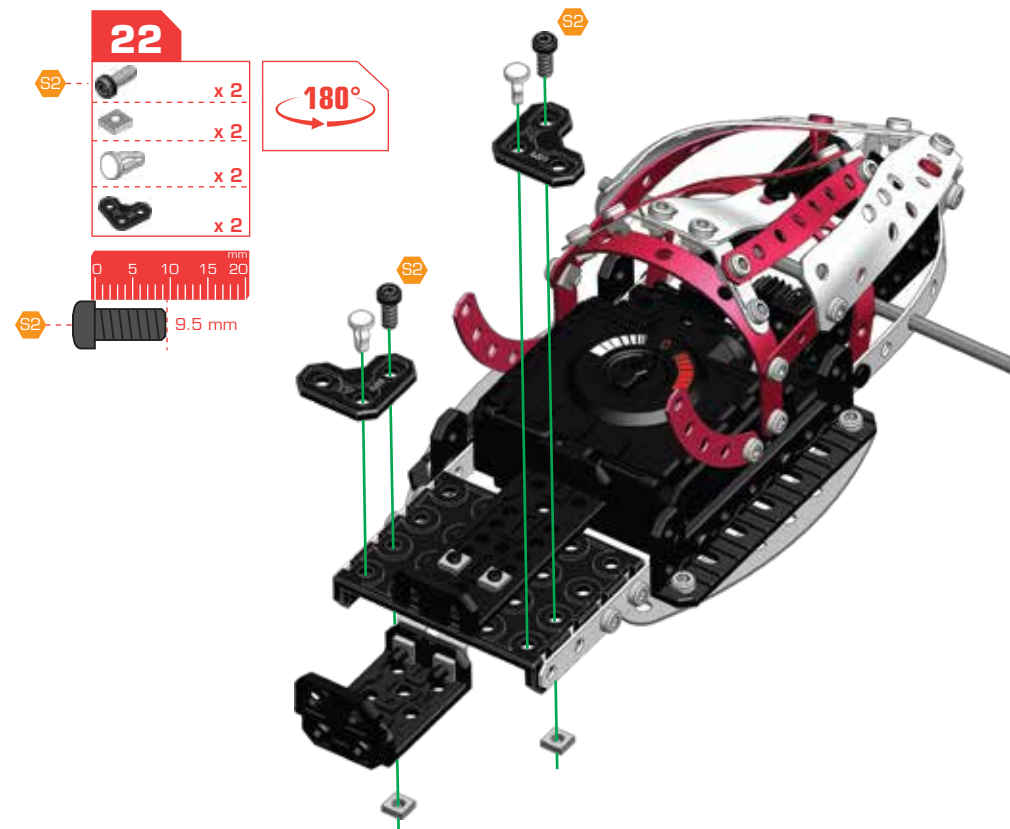
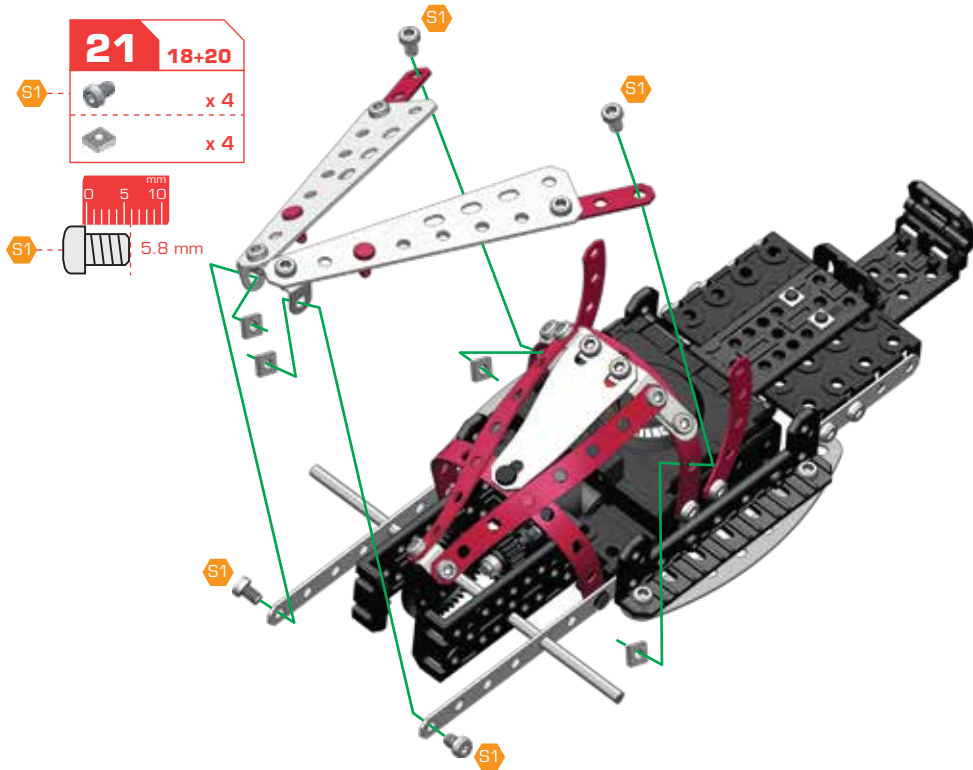
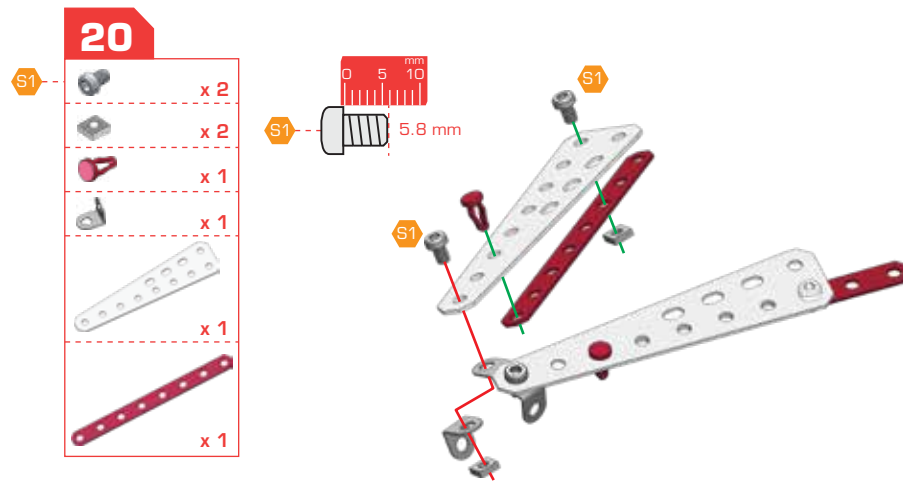
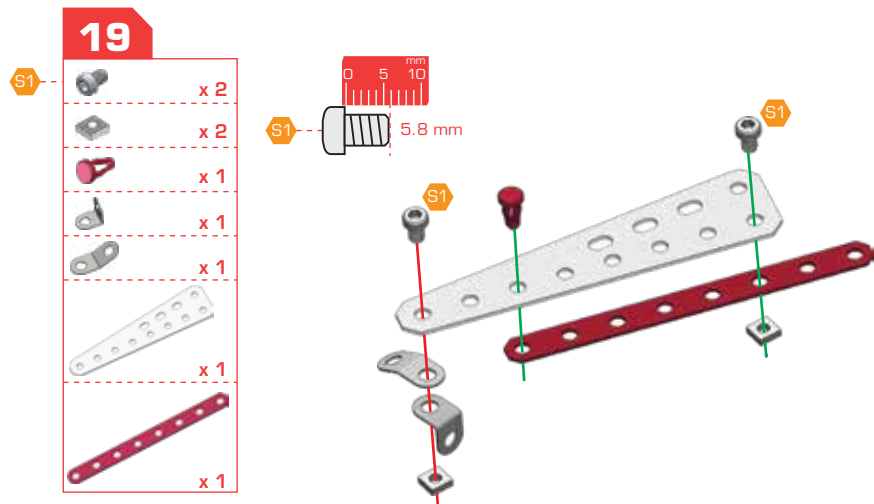


18

15+17

-  x 2
-  x 2
-  x 1





23

- B1 x 2
- S3 x 2
- x 4
- x 2
- x 1

mm
0 5 10 15 20

B1 14.7 mm

S3 12 mm

24

- S1 x 2
- x 2
- x 2

mm
0 5 10

S1 5.8 mm

25

- S2 x 3
- x 3
- x 1
- x 1
- x 1
- x 1

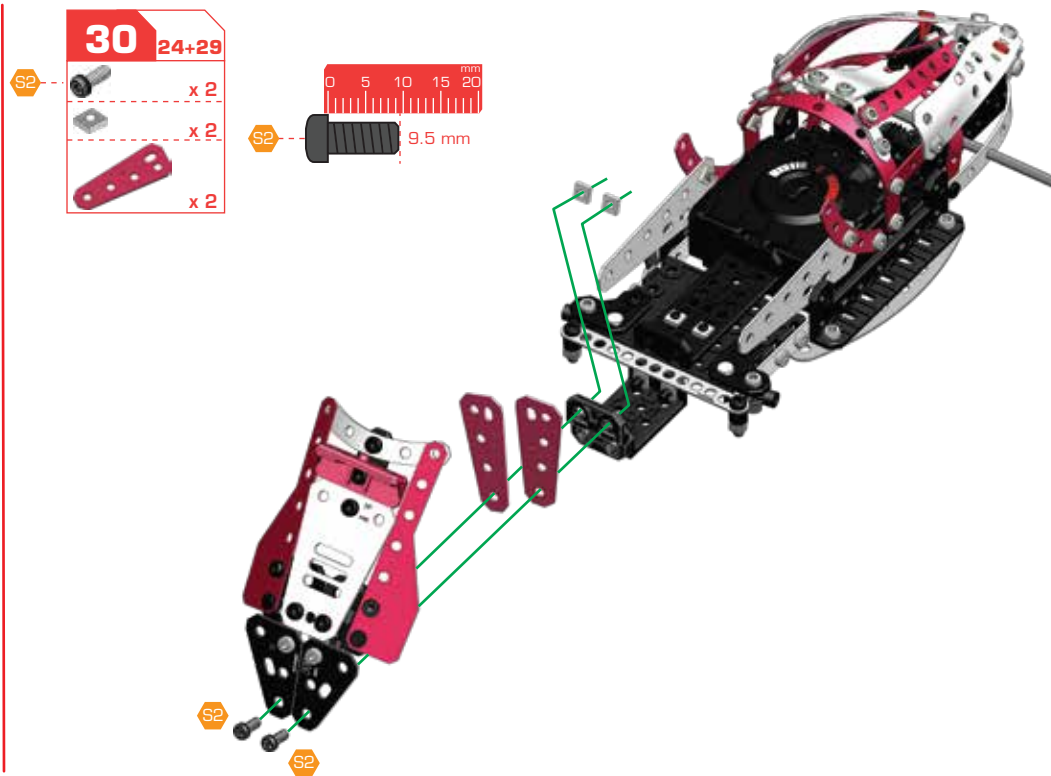
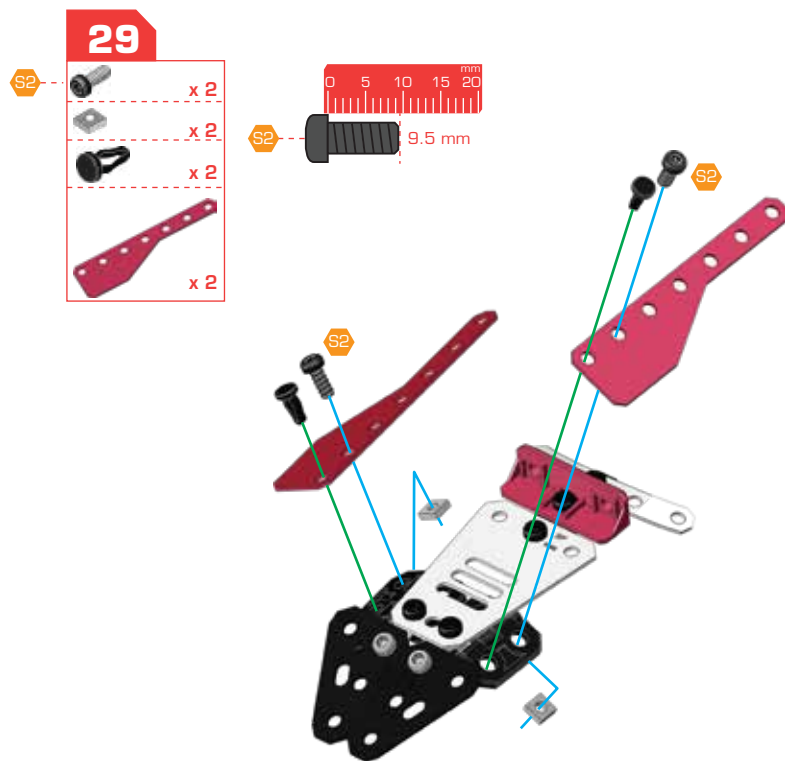
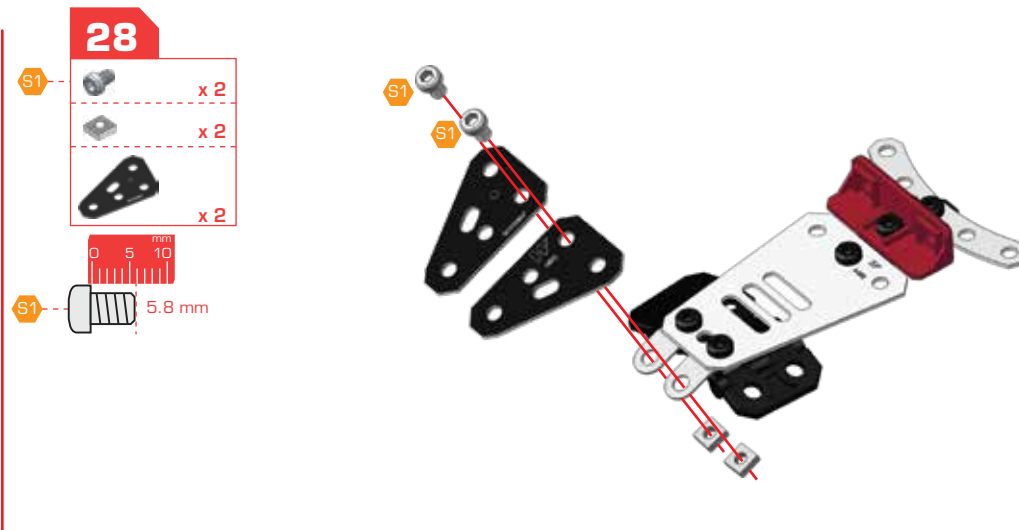
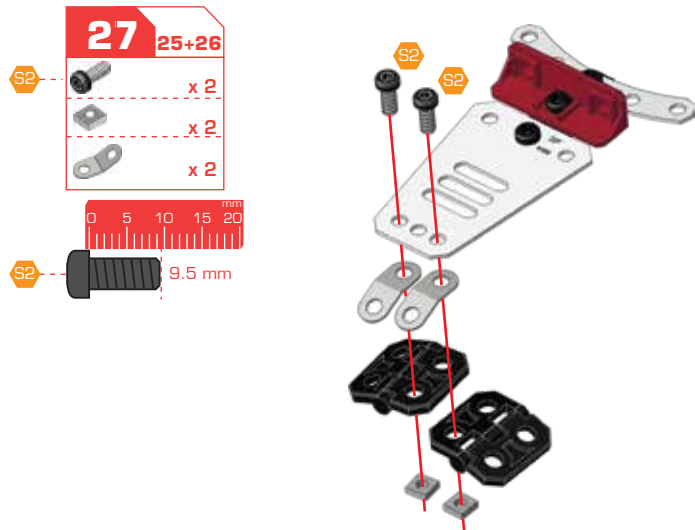
mm
0 5 10 15 20

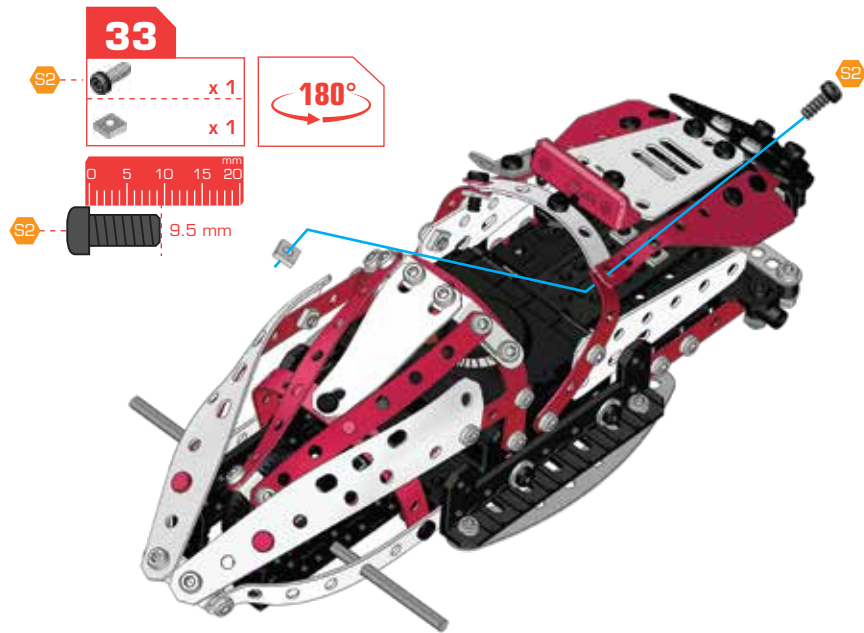
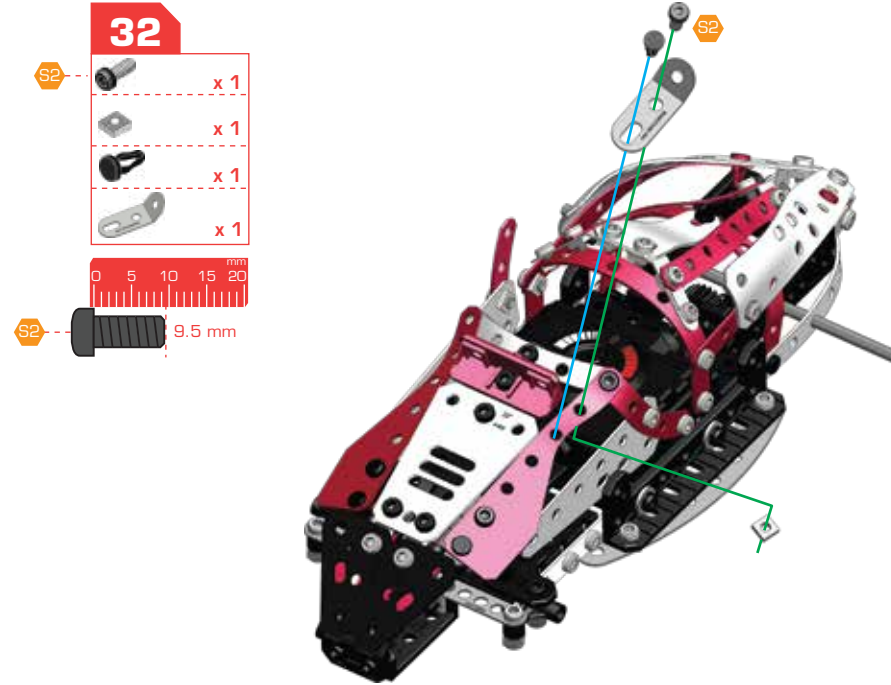
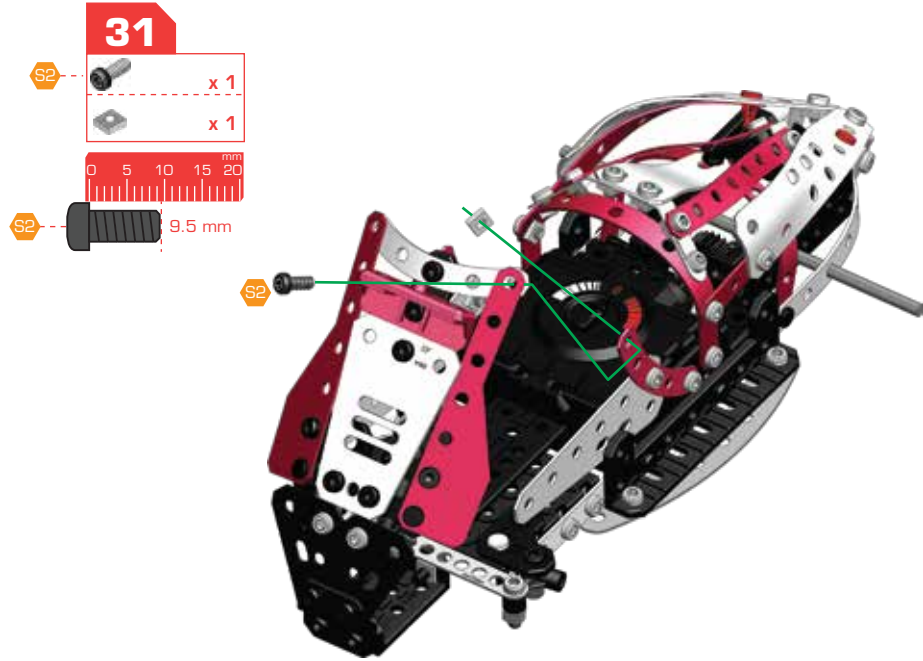
S2 9.5 mm

26

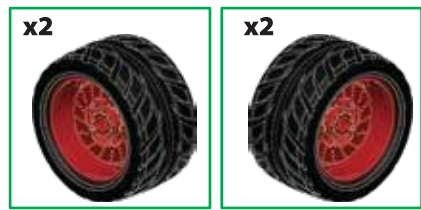
- x 2
- x 2

x2

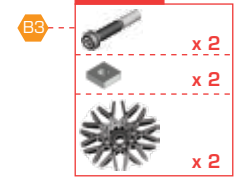








35



36



37 34+35

-  x 4
-  x 2
-  x 2
-  x 2



38 36+37

