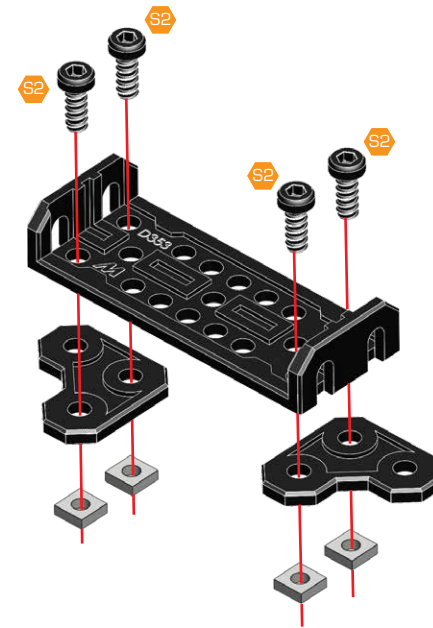


1

- S2 x 4
- x 4
- x 2
- x 1

0 5 10 15 20 mm

S2 9.5 mm

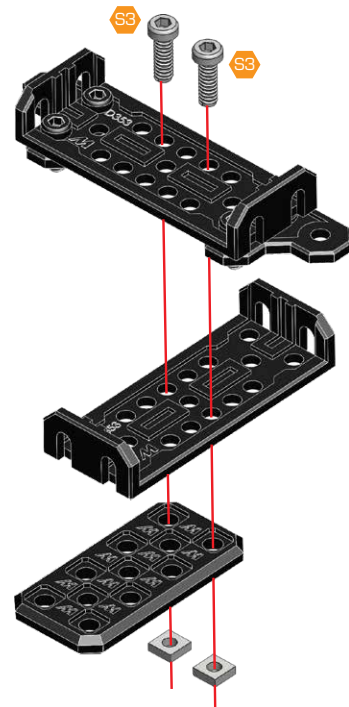


2

- S3 x 2
- x 2
- x 1
- x 1

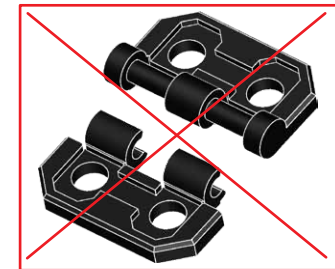
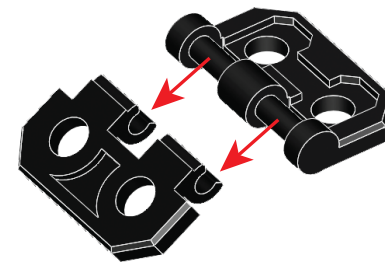
0 5 10 mm

S3 12 mm

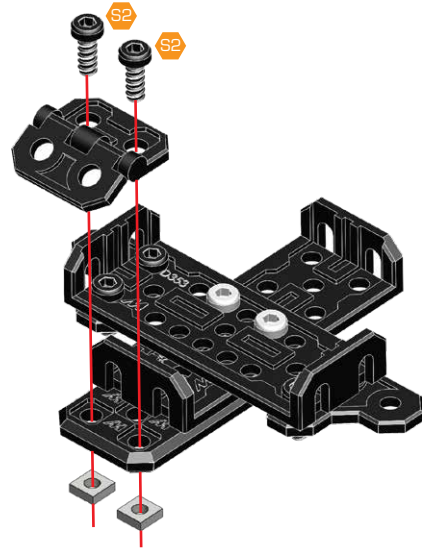


3

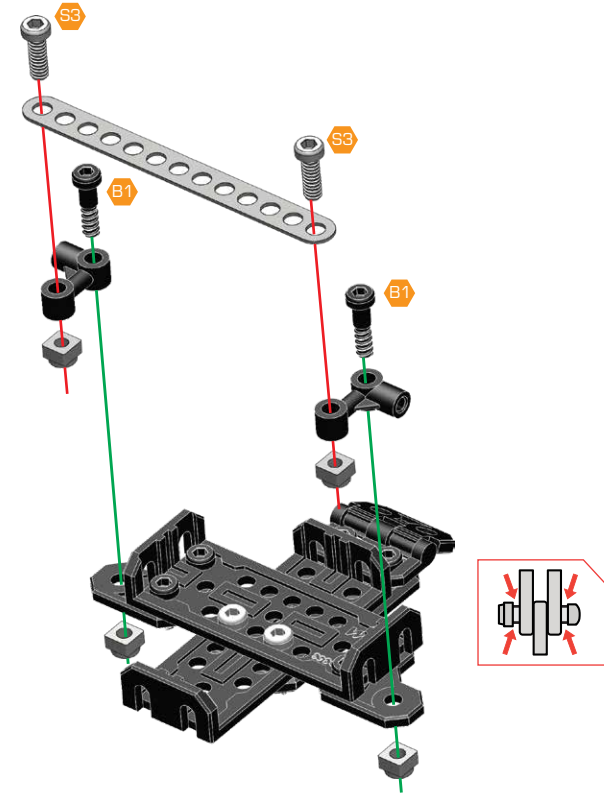
- x 1
- x 1



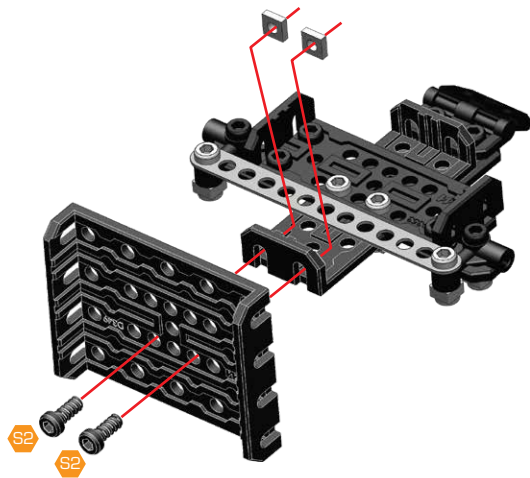
- 4** **2+3**
- S2 x 2
 - x 2
- 0 5 10 15 20 mm
- S2 9.5 mm



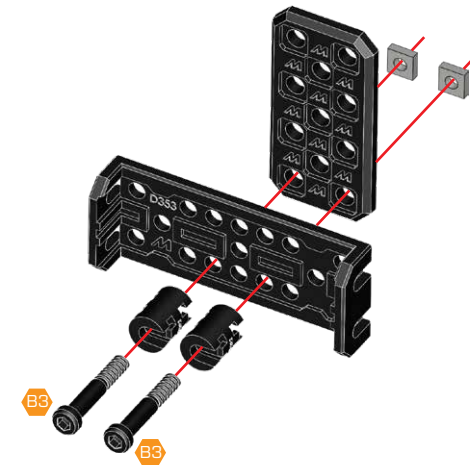
- 5**
- S3 x 2
 - B1 x 2
 - x 4
 - x 2
 - x 1
- 0 5 10 15 20 mm
- B1 14.7 mm
- S3 12 mm
- 180°







- 6**
- S2 x 2
 - x 2
 - x 1
- 0 5 10 15 20 mm
- S2 9.5 mm





- 7**
- B3 x 2
 - x 2
 - x 2
 - x 1
 - x 1
- 0 5 10 15 20 25 30 35 mm
- B3 23 mm





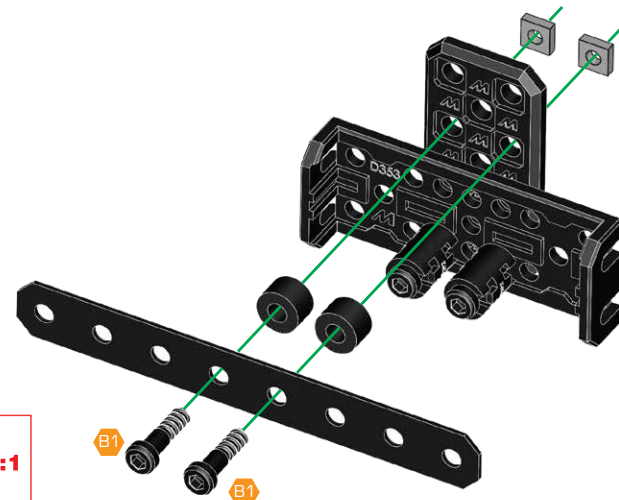
8

-  x 2
-  x 2
-  x 2
-  x 1



 0 5 10 15 20 mm

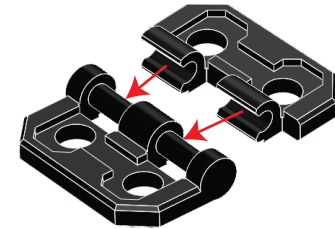
 14.7 mm

  **A238 1:1**






9


-  x 1
-  x 1

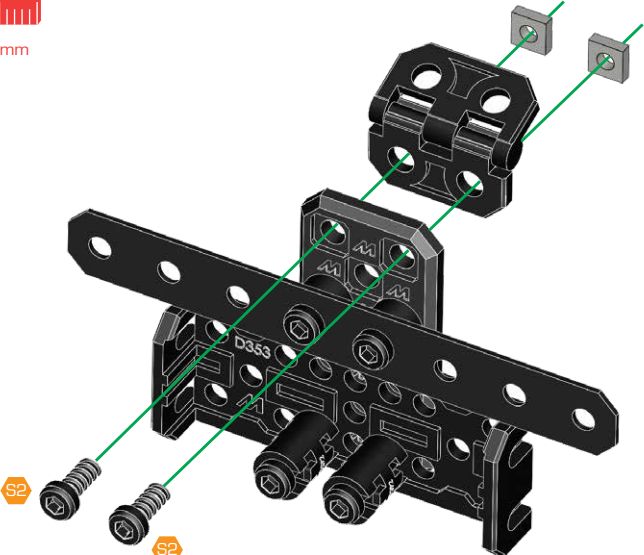


10 8+9




-  x 2
-  x 2


 0 5 10 15 20 mm


 9.5 mm

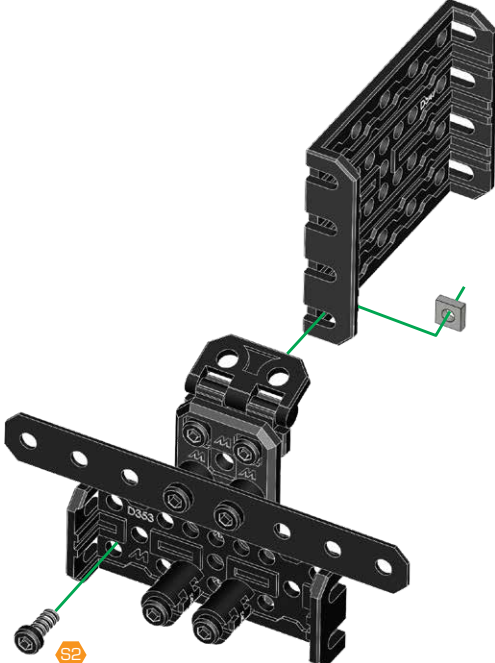


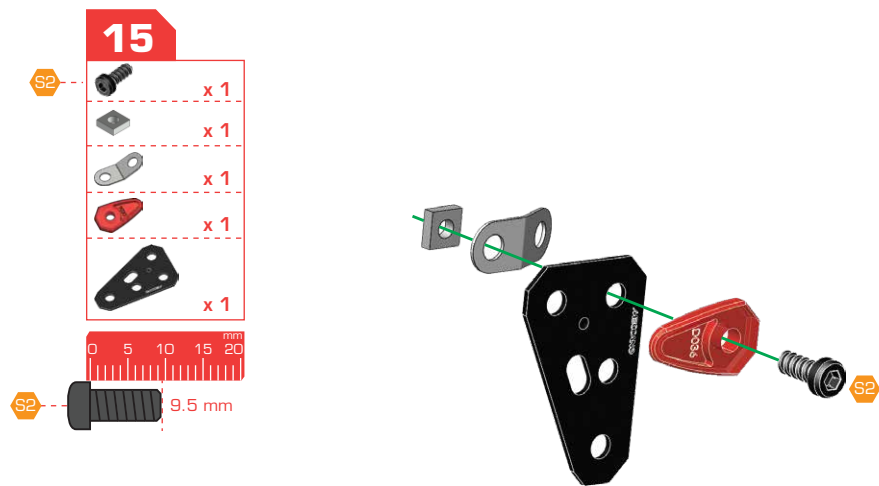
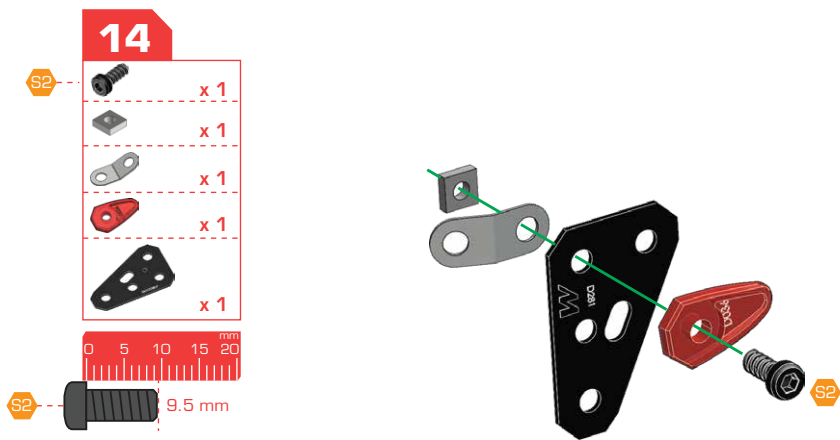
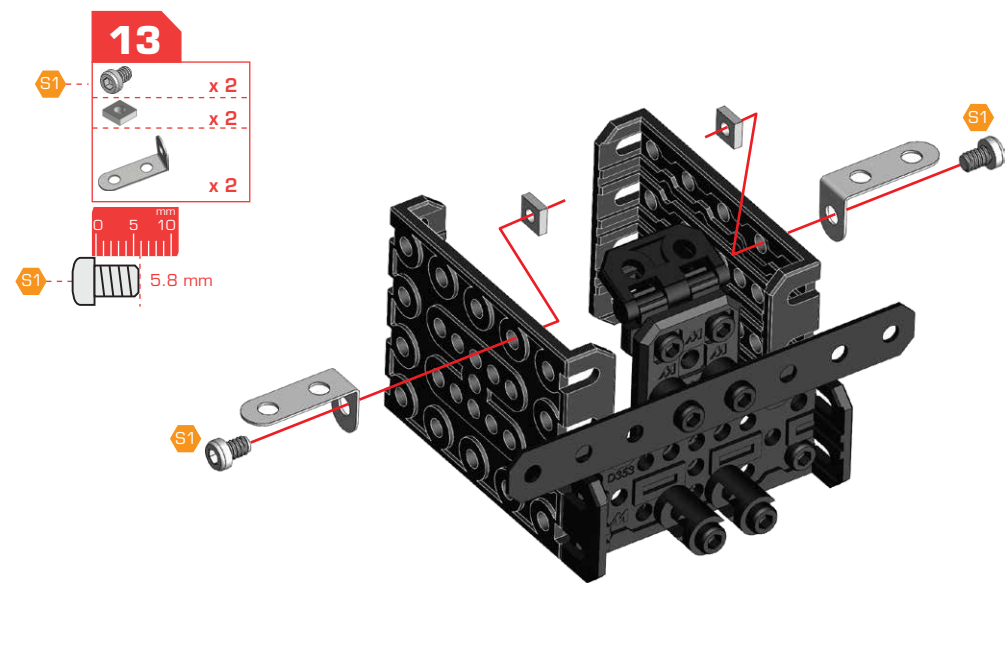
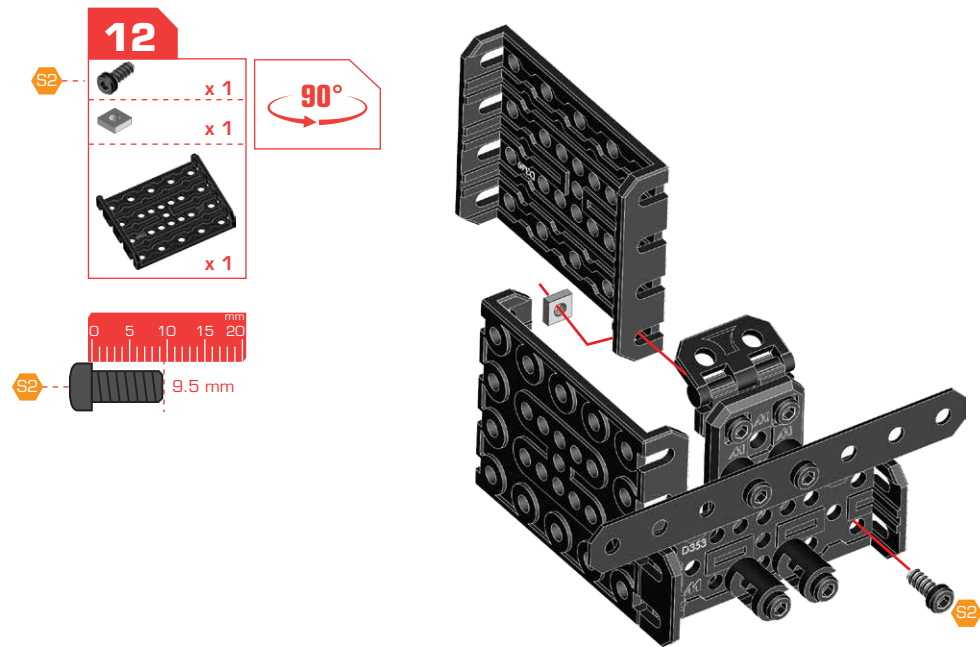
11

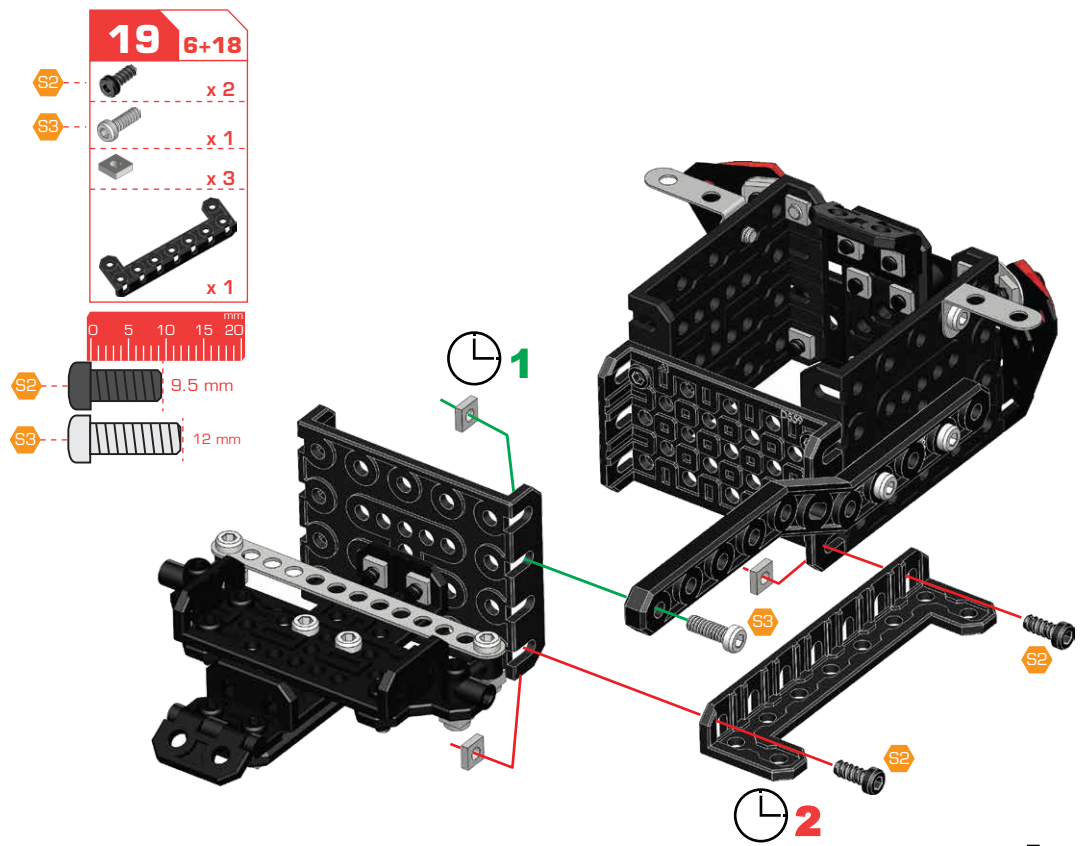
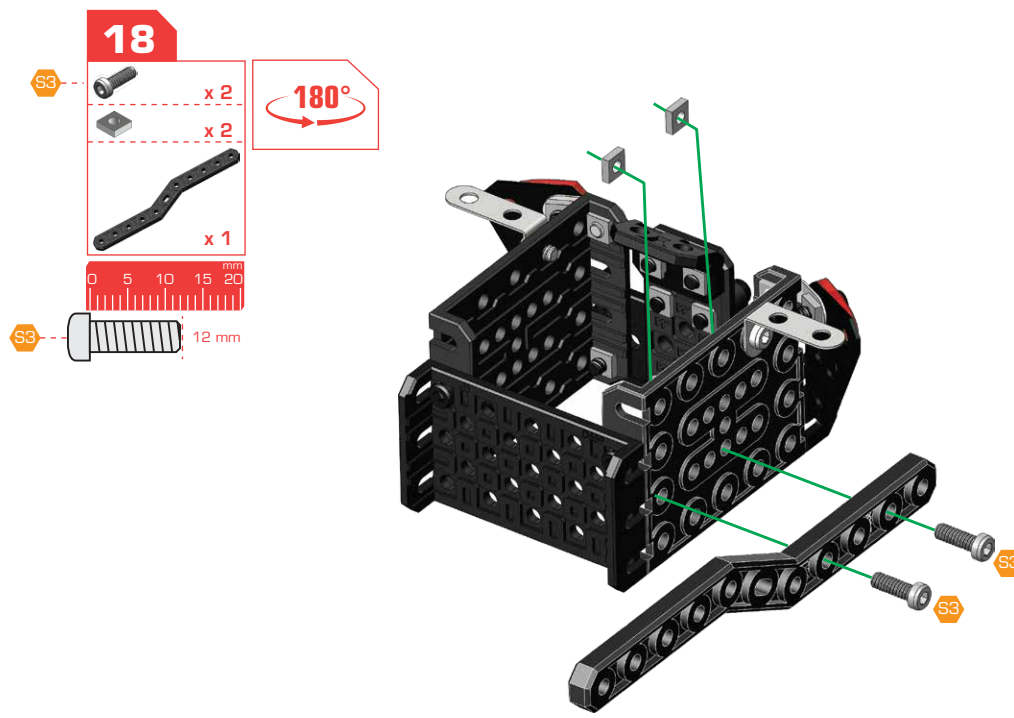
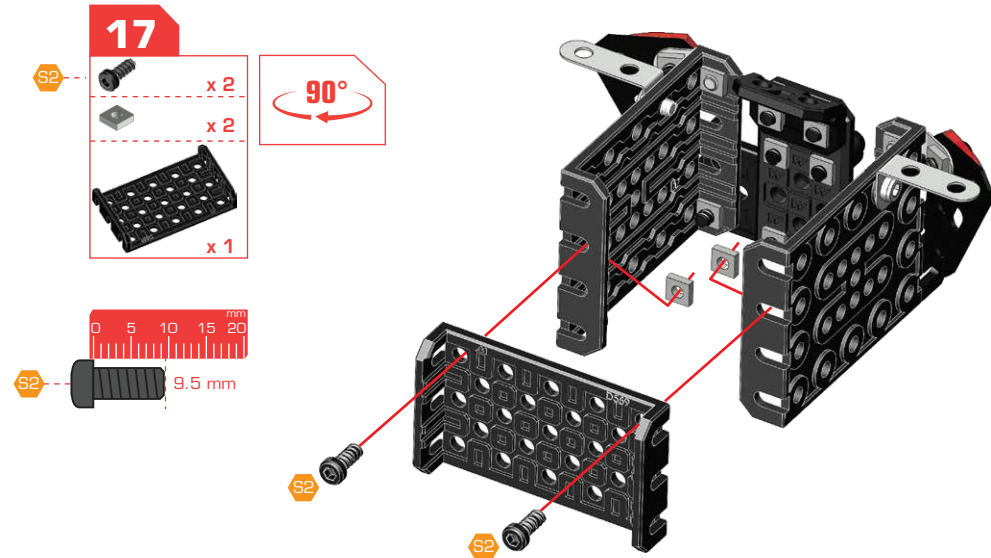
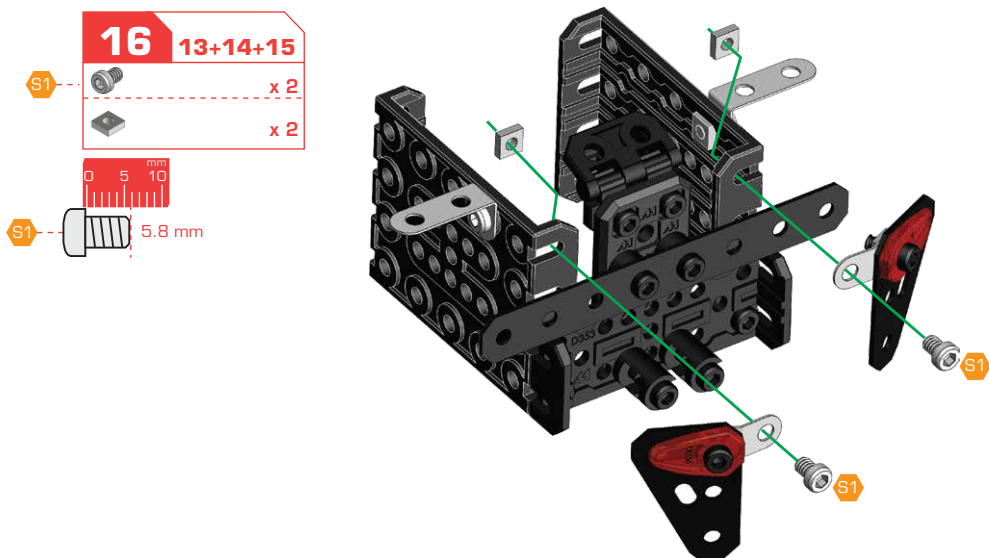
-  x 1
-  x 1
-  x 1

 0 5 10 15 20 mm

 9.5 mm







20

- S1 x 2
- x 2
- x 1
- x 1

0 5 10 mm

S1 5.8 mm

21

- S3 x 3
- x 3
- x 1

0 5 10 15 20 mm

S3 12 mm

180°

22

- S2 x 2
- x 2
- x 2

0 5 10 15 20 mm

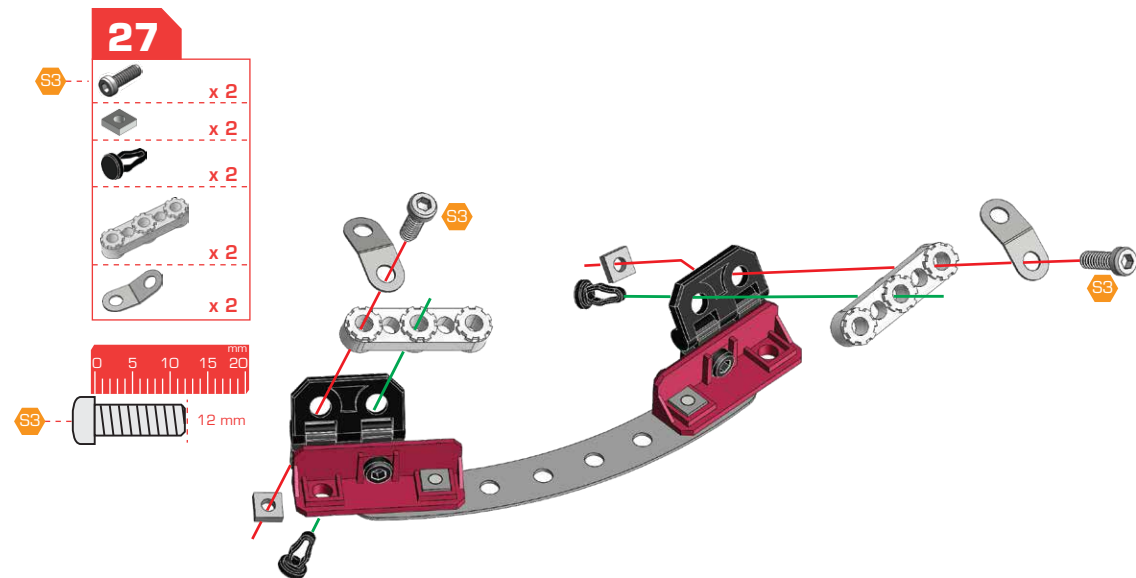
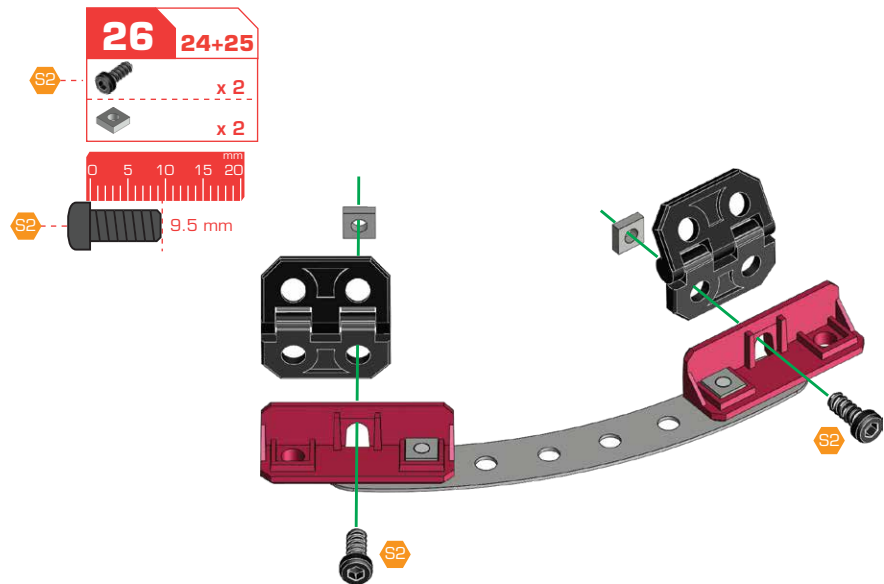
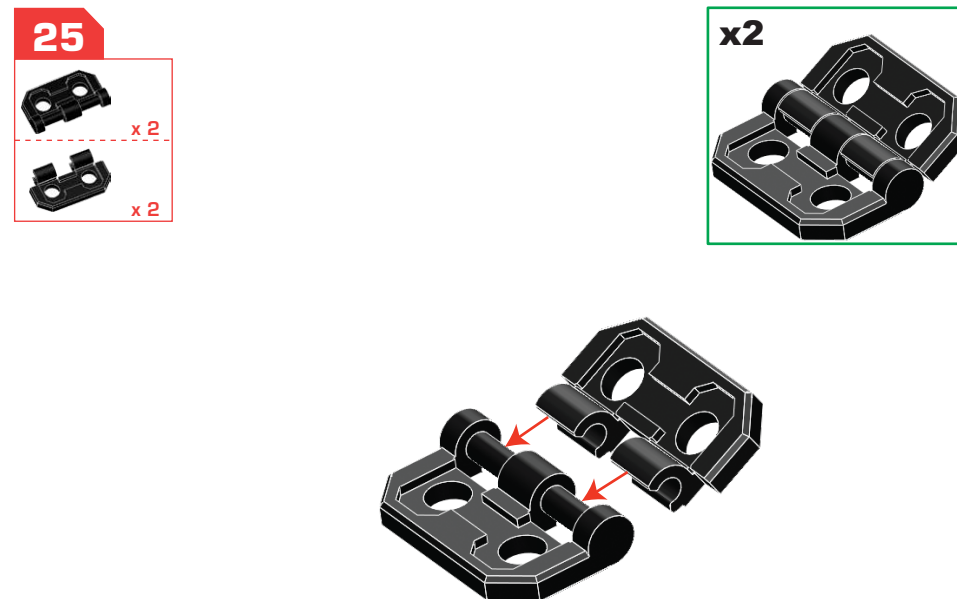
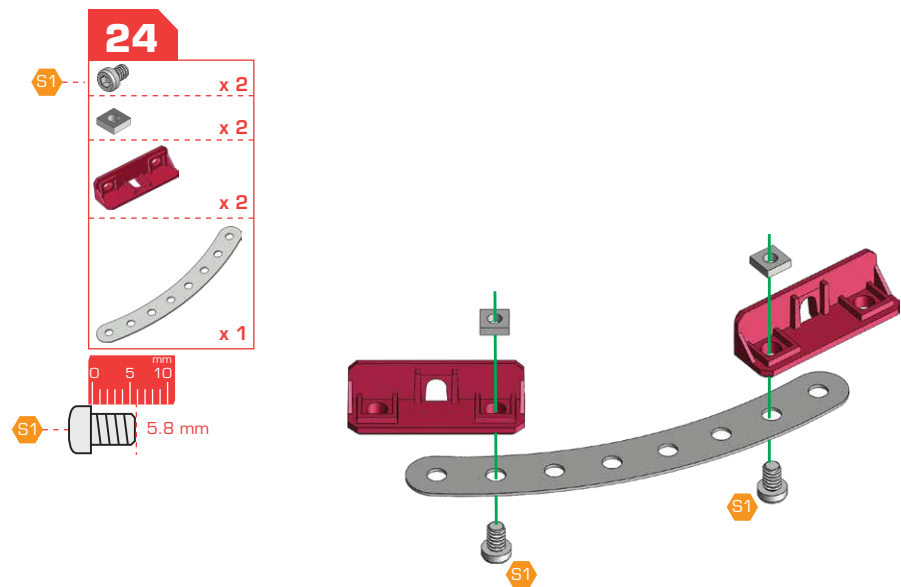
S2 9.5 mm

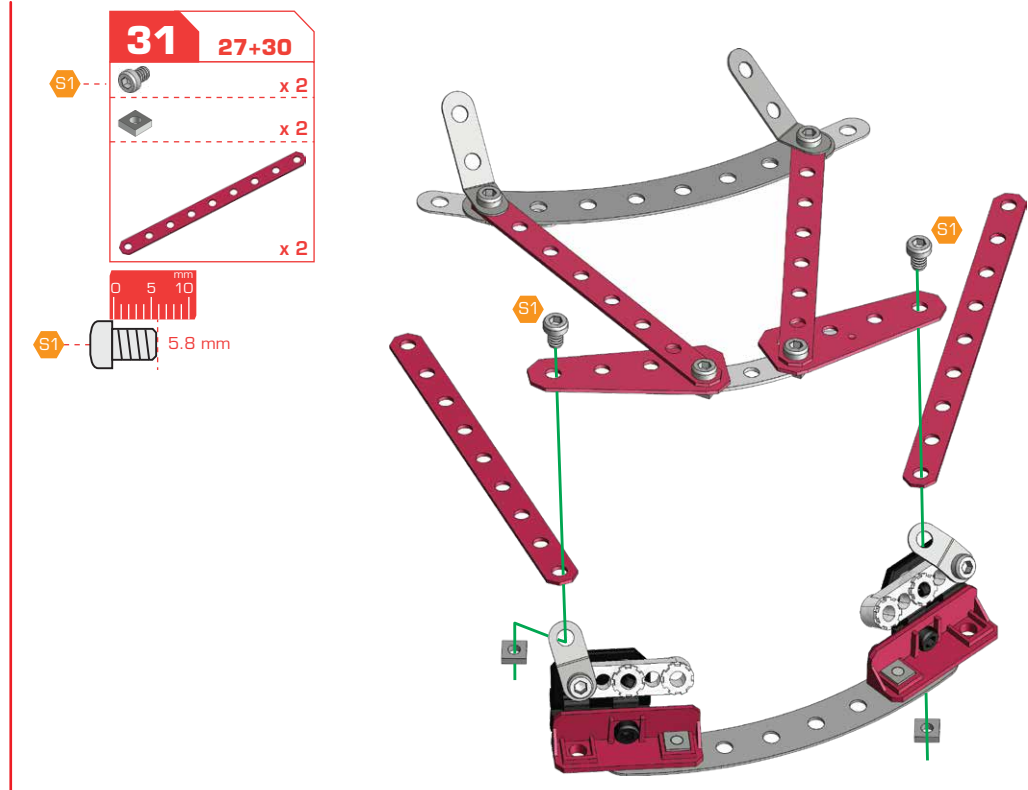
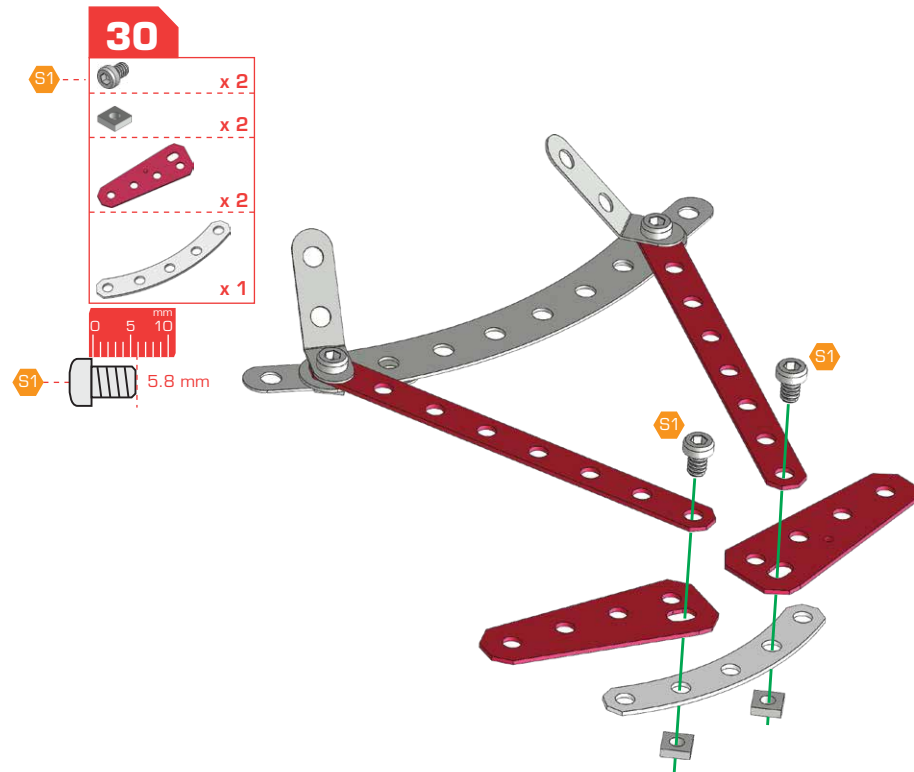
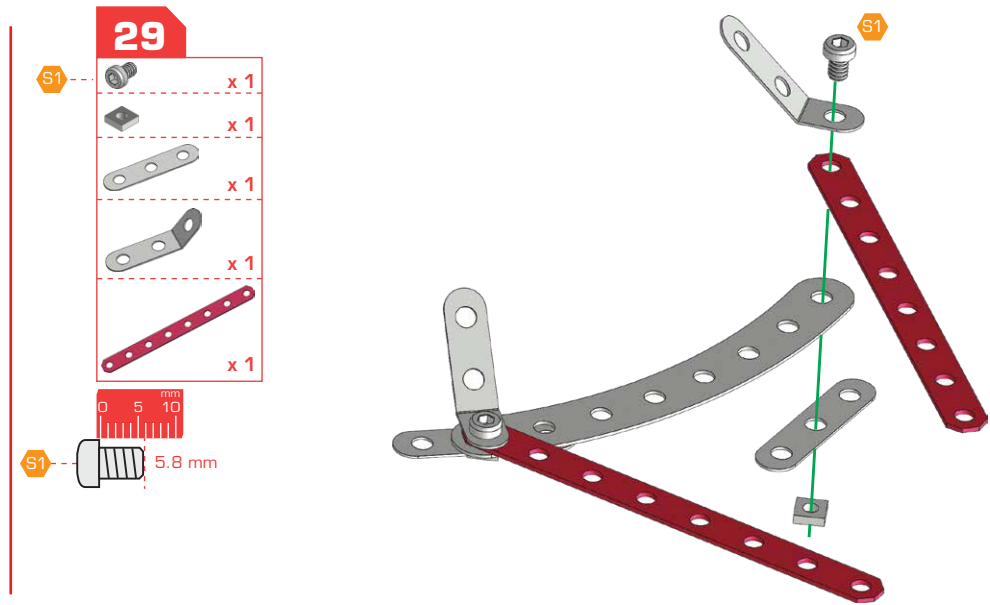
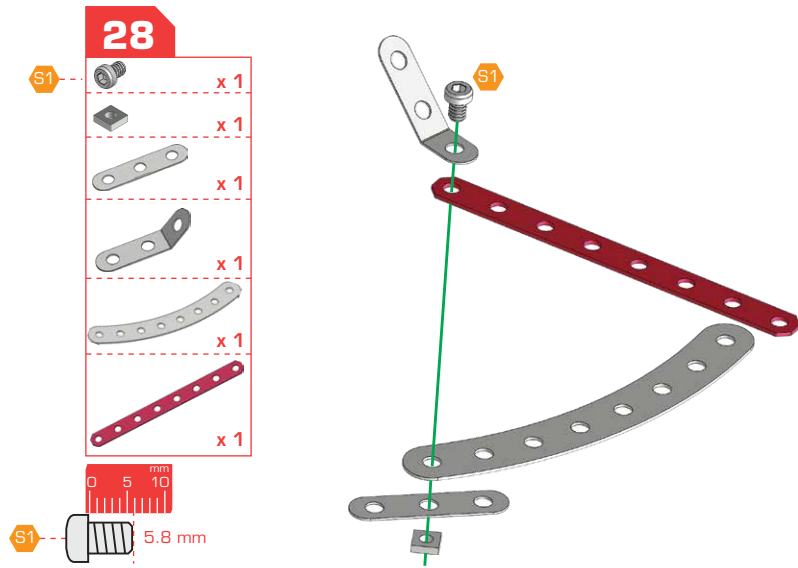
23

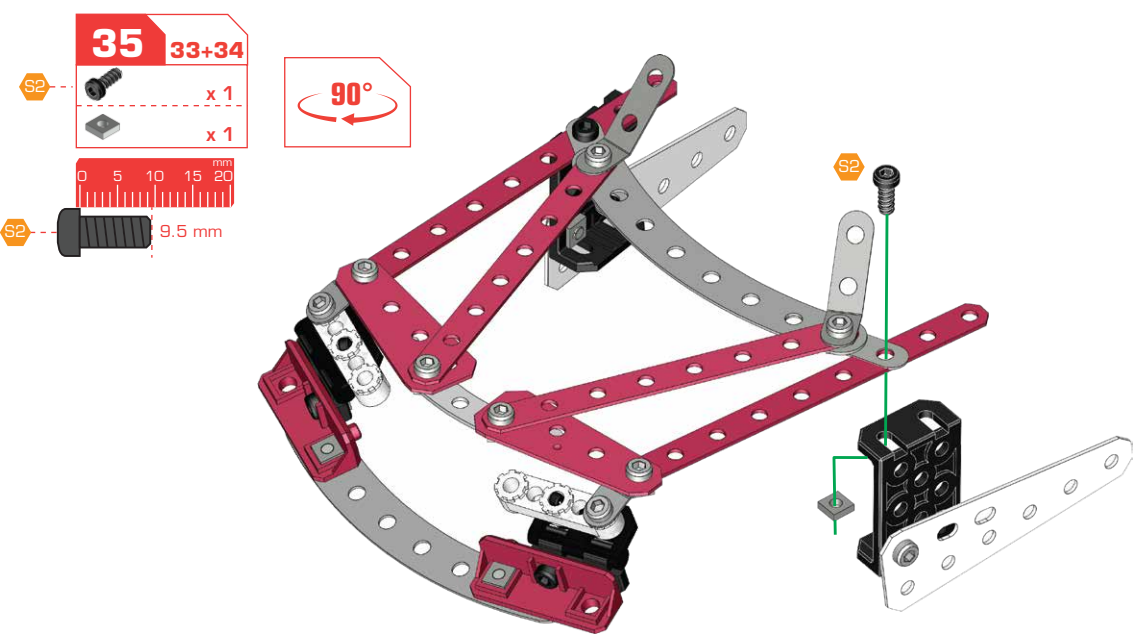
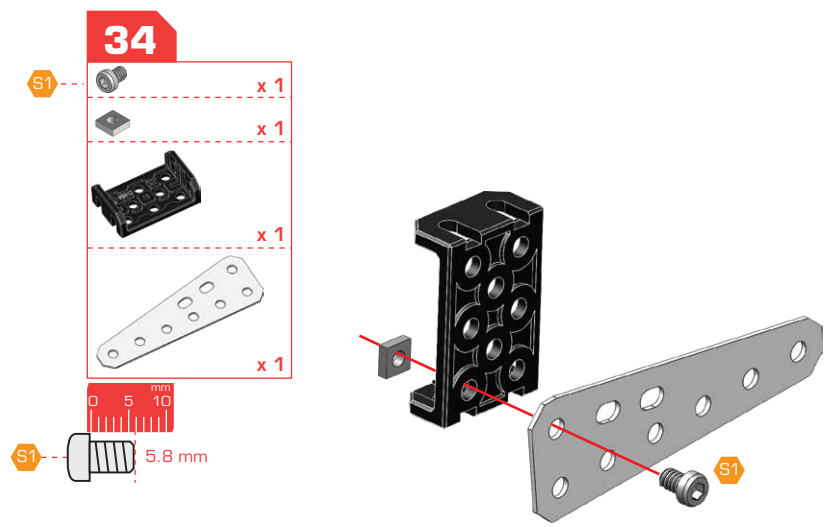
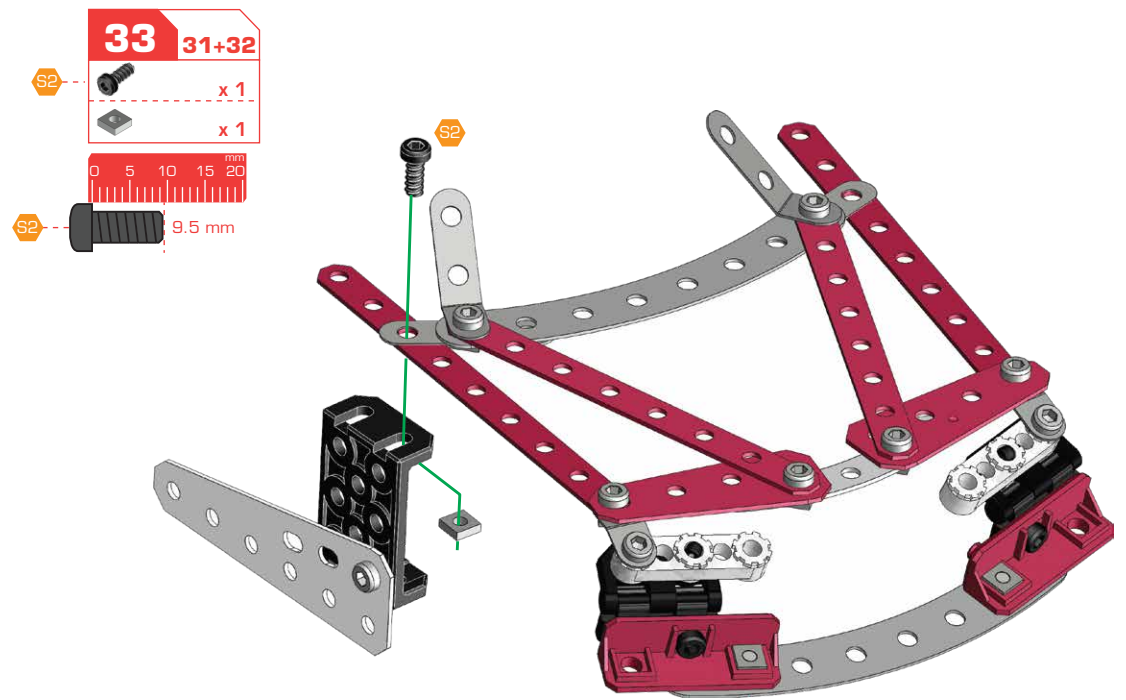
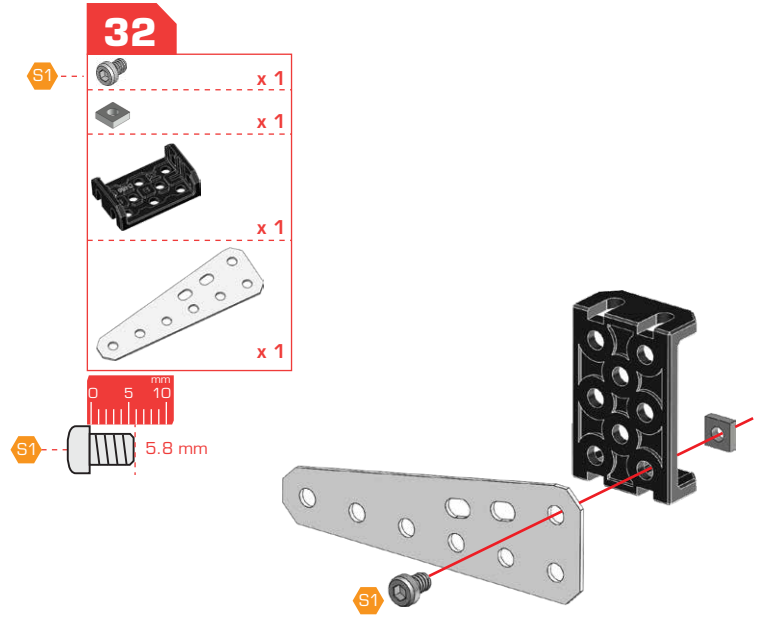
- S1 x 2
- x 2
- x 1
- x 1

0 5 10 mm



S1 5.8 mm






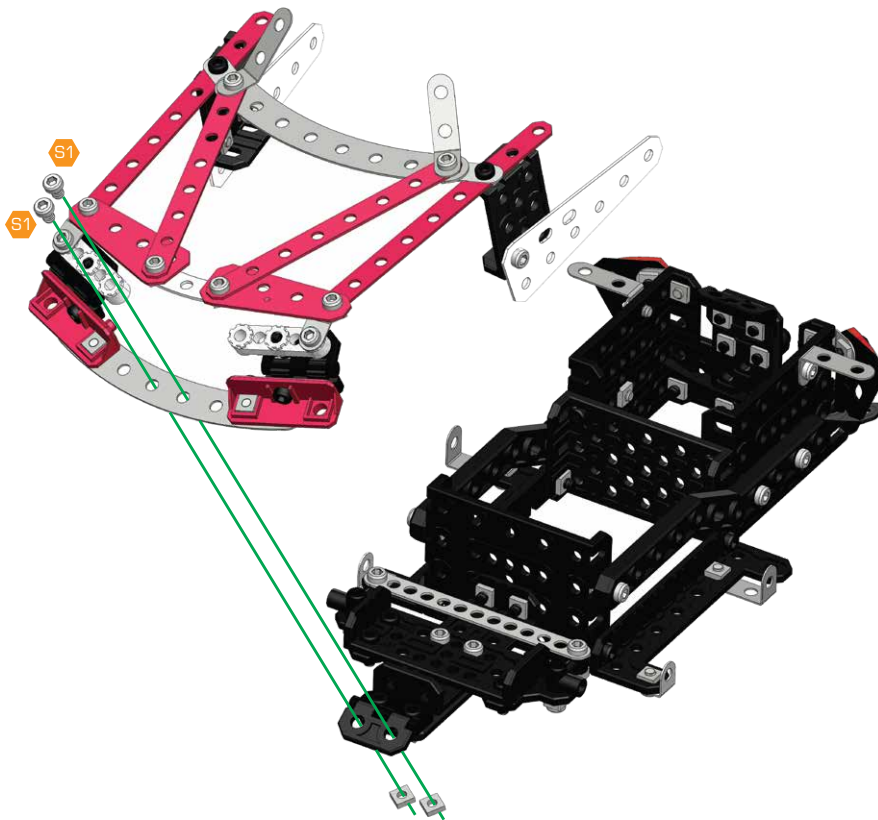


36 23+35







-  x 2
-  x 2

0 5 10 mm


 5.8 mm

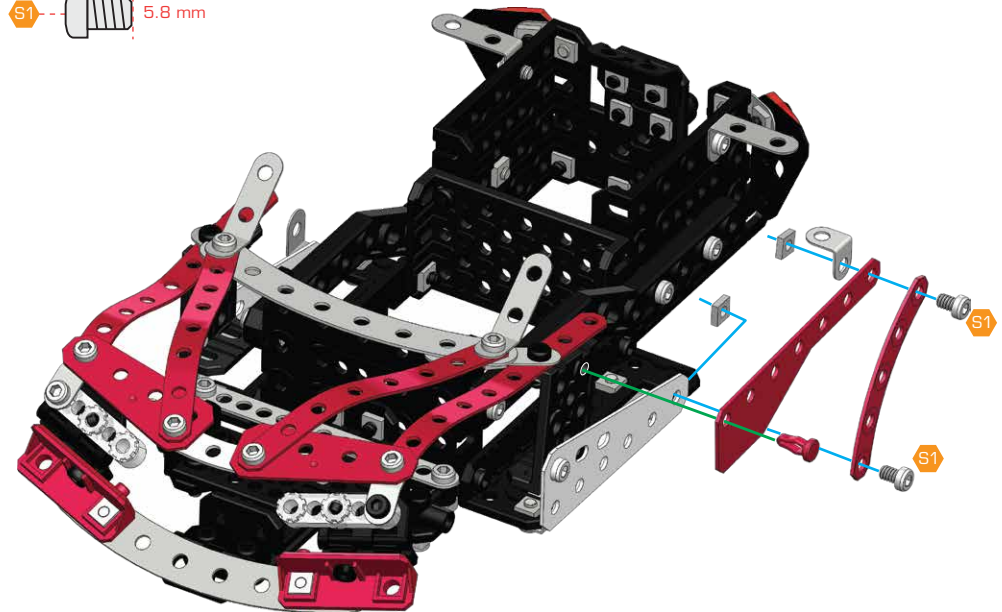


37

-  x 2
-  x 2
-  x 1
-  x 1
-  x 1
-  x 1

0 5 10 mm

 5.8 mm

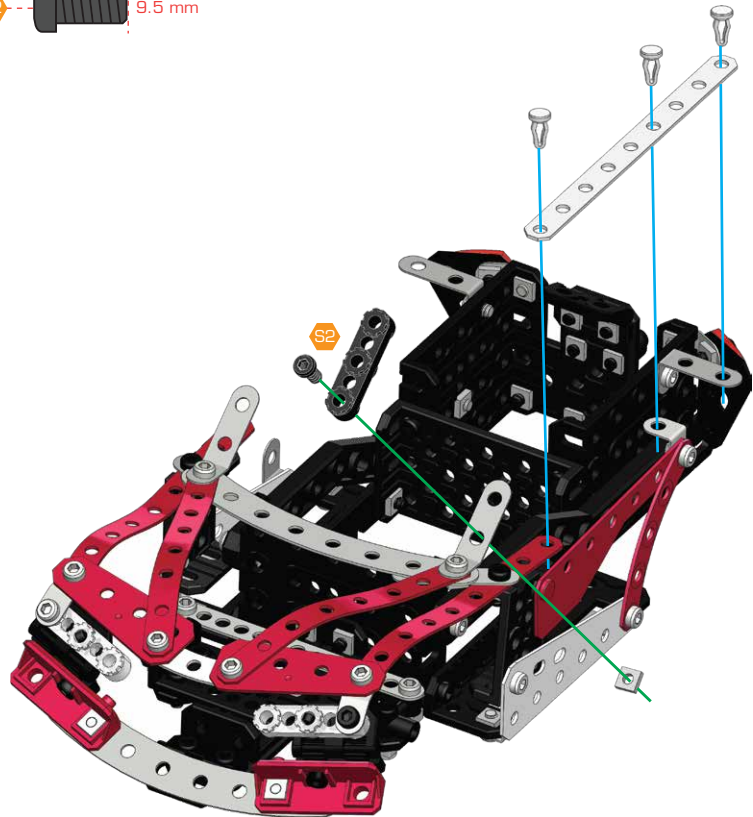


38

- S2 x 1
- x 1
- x 3
- x 1
- x 1

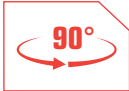


S2 9.5 mm

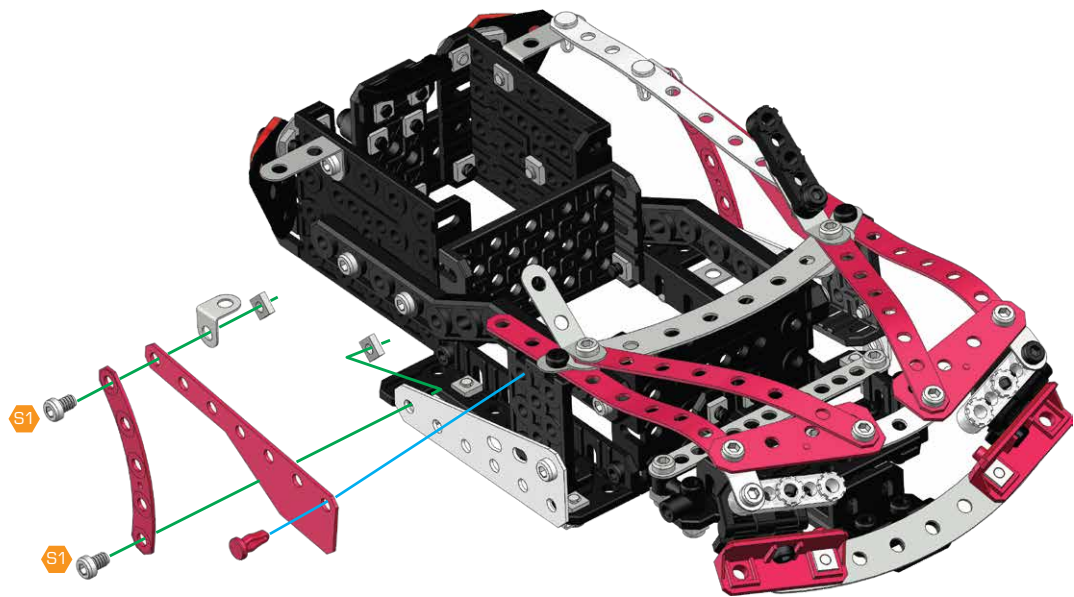


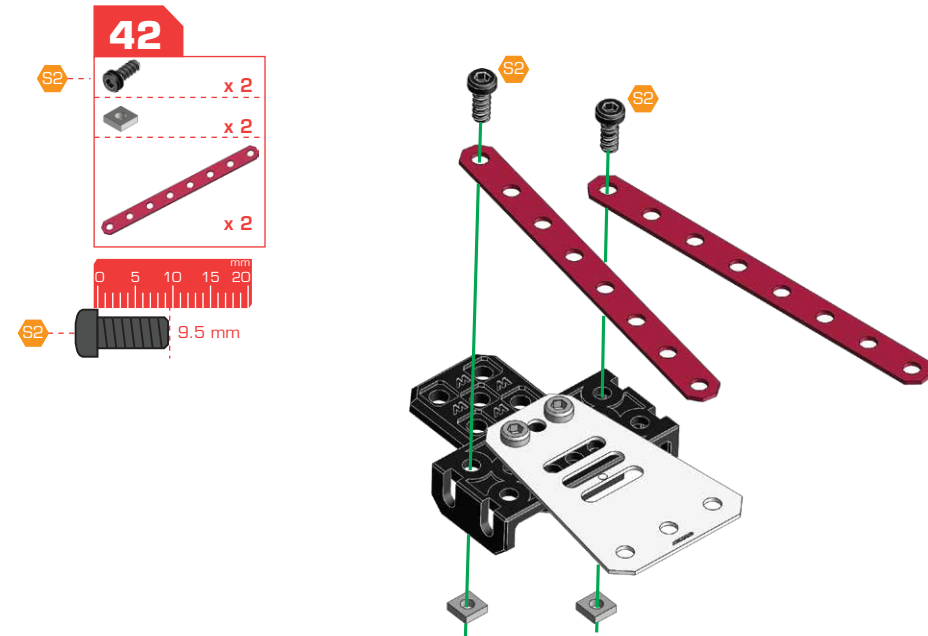
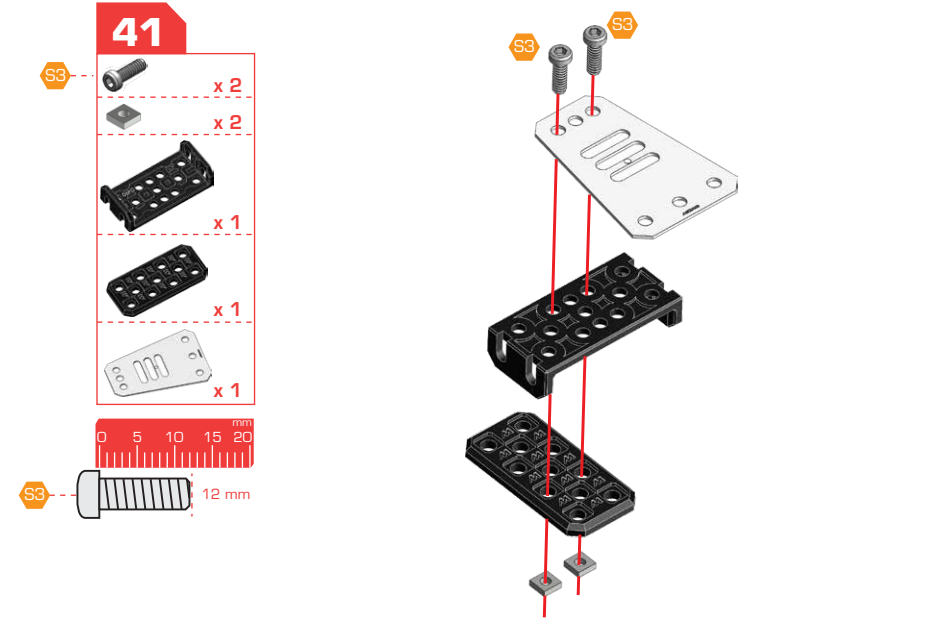
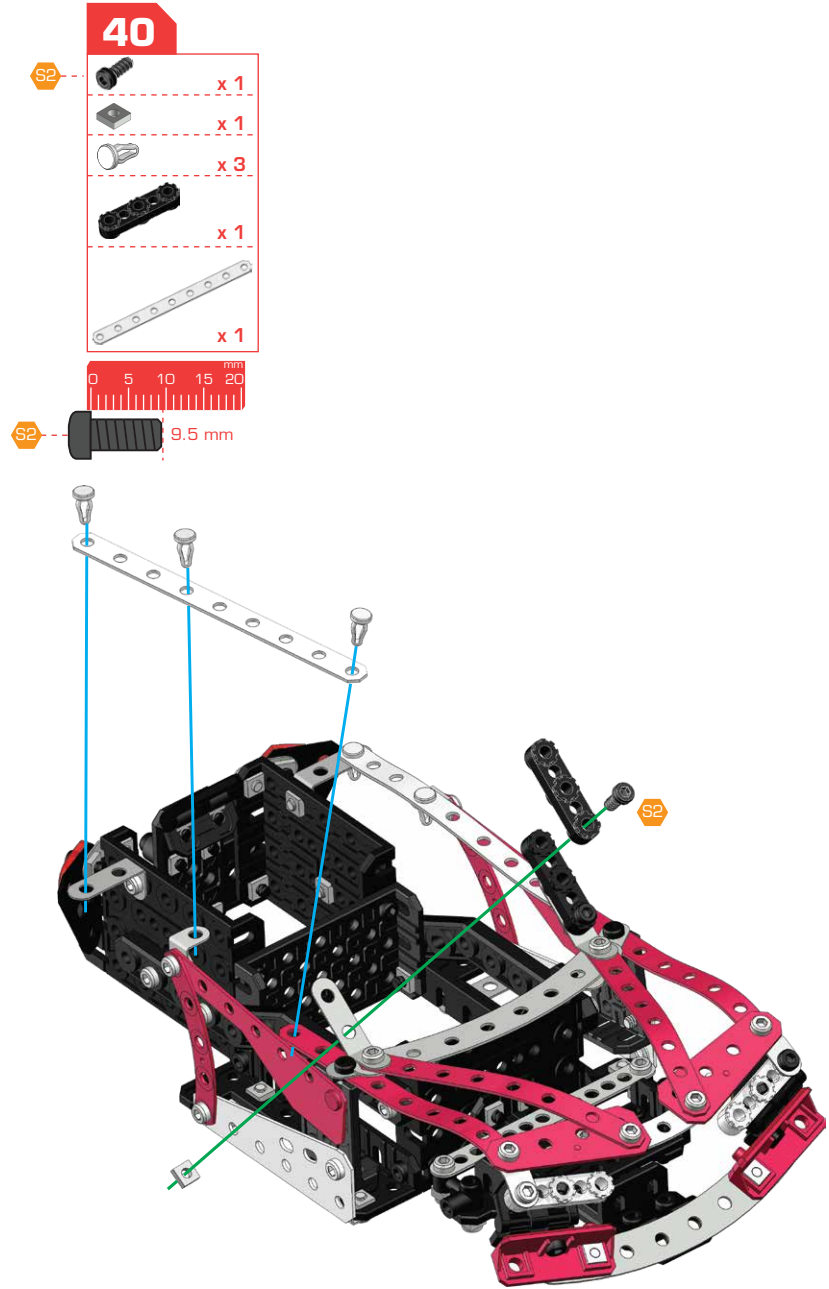
39

- S1 x 2
- x 2
- x 1
- x 1
- x 1
- x 1



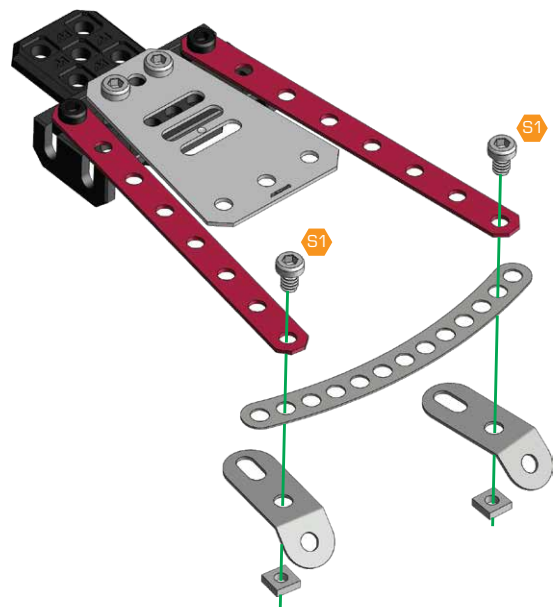
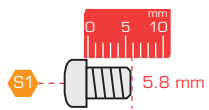
S1 5.8 mm





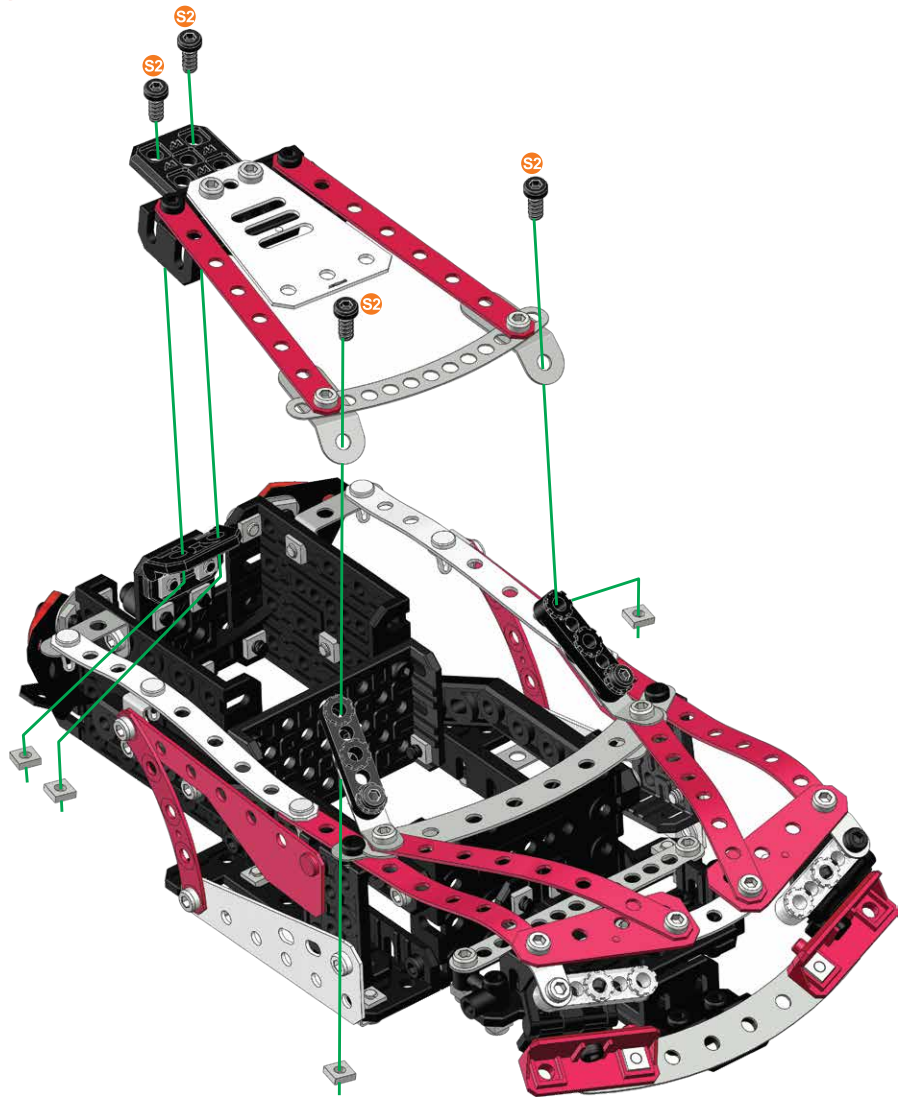
43

- S1 x 2
- x 2
- x 2
- x 1

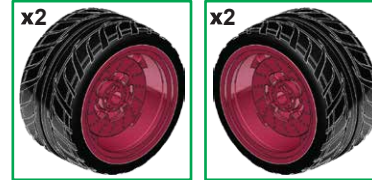
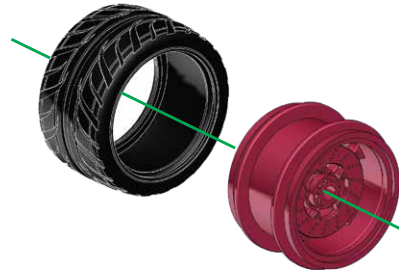


44 40+43

- S2 x 4
- x 4



45



46 44+45

