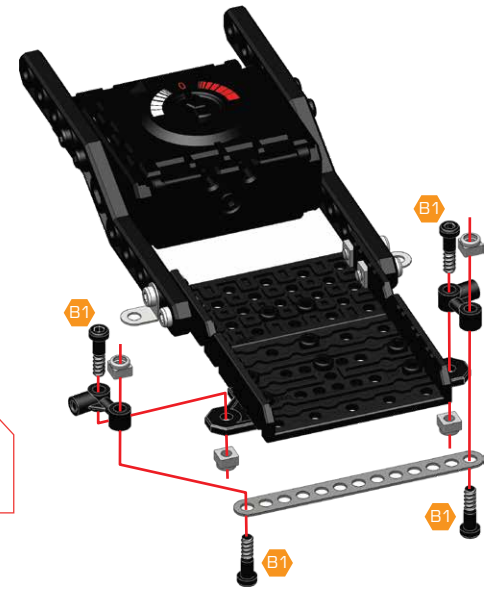


5

- B1 x 4
- x 4
- x 2
- x 1

mm
0 5 10 15 20

B1 14.7 mm

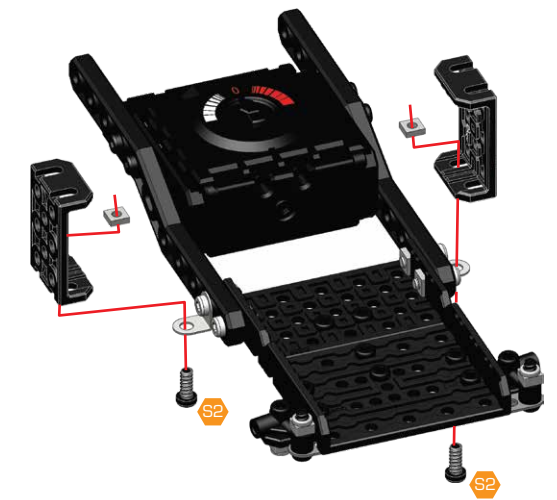


6

- S2 x 2
- x 2
- x 2

mm
0 5 10 15 20

S2 9.5 mm



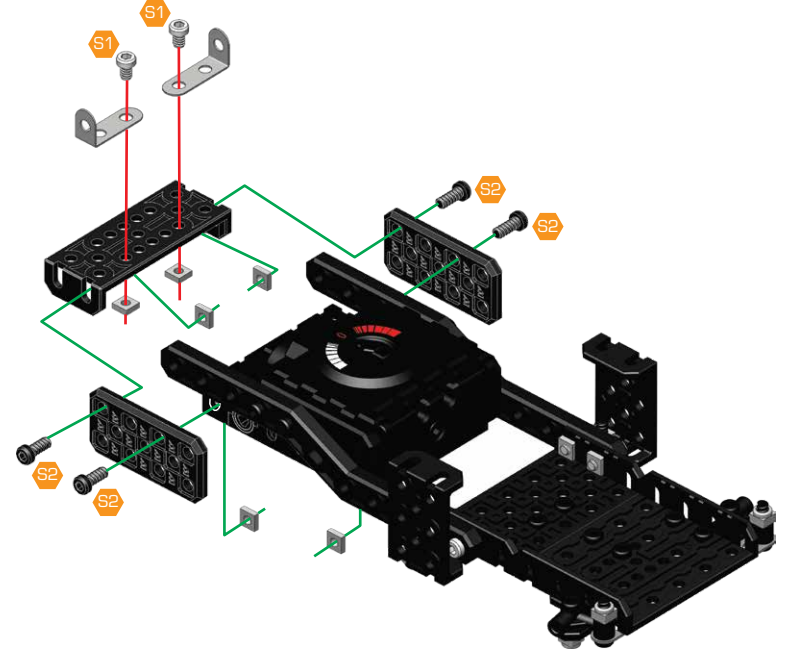
7

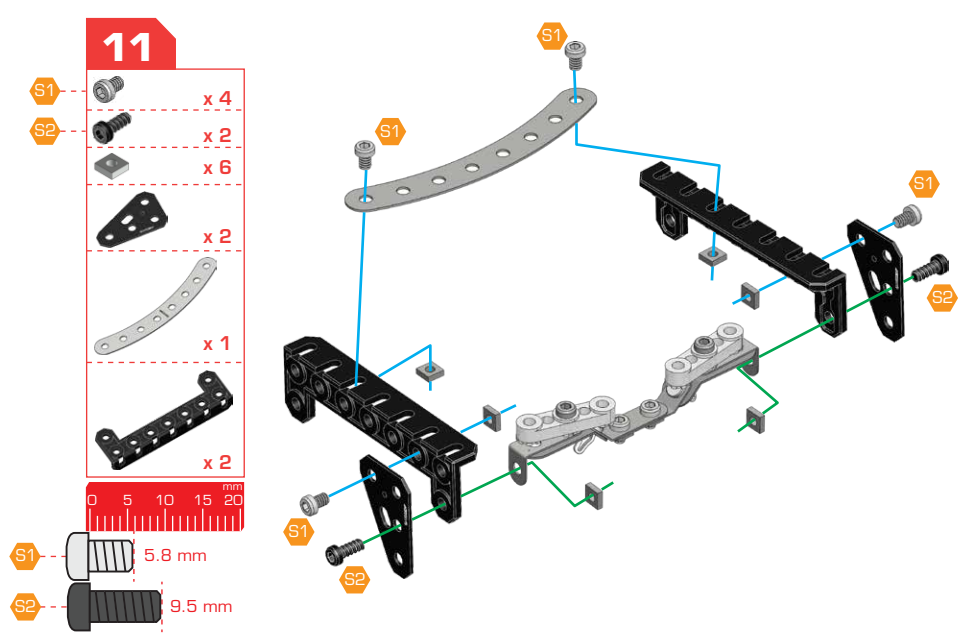
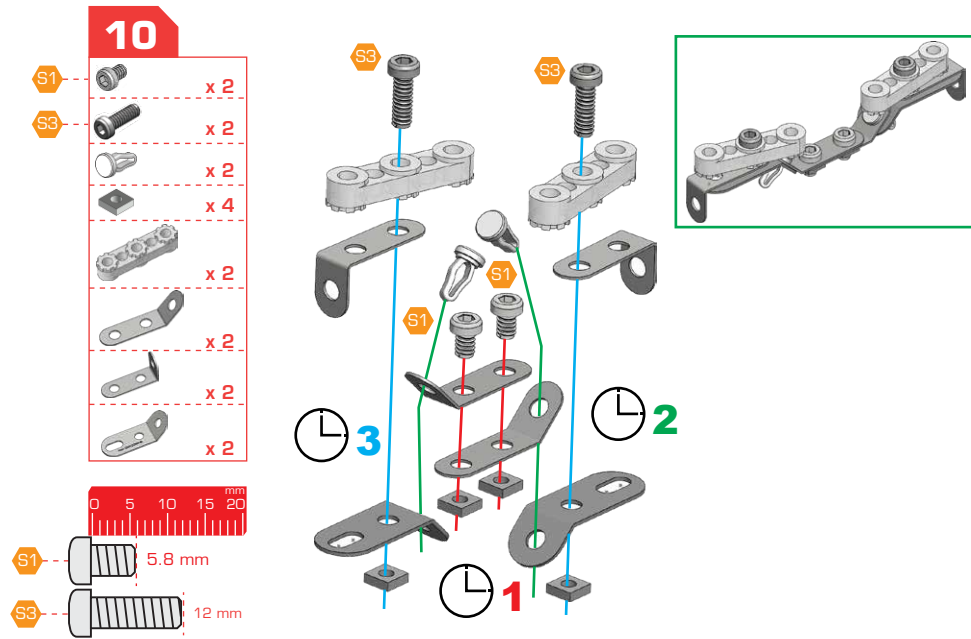
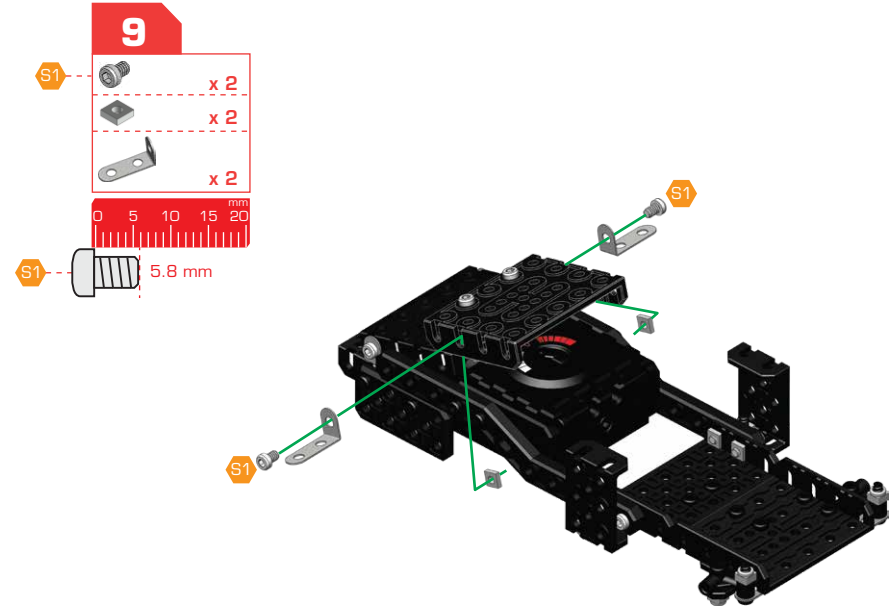
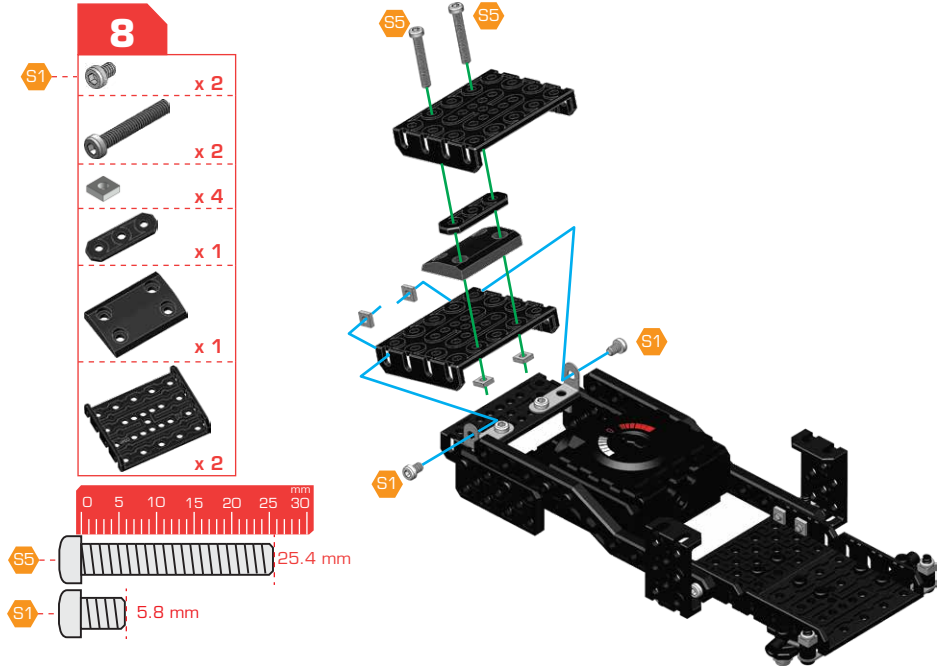
- S1 x 2
- S2 x 4
- x 6
- x 2
- x 2
- x 1

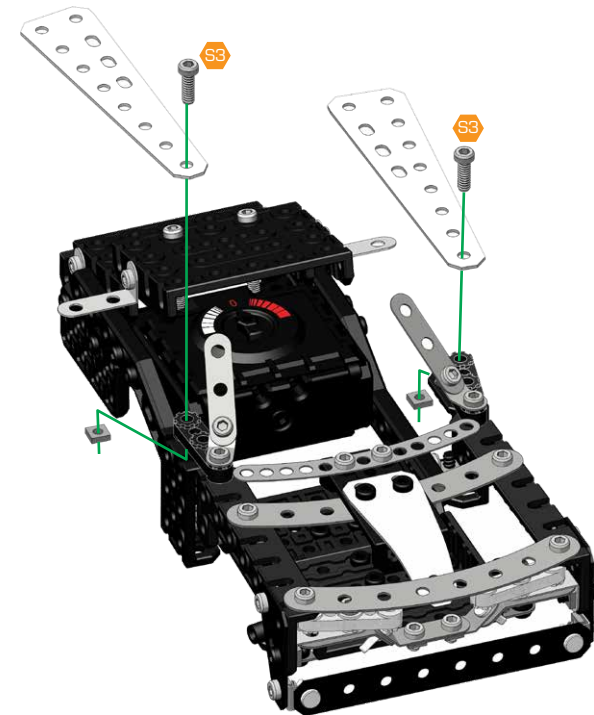
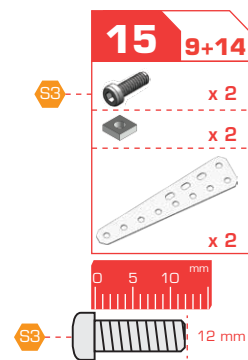
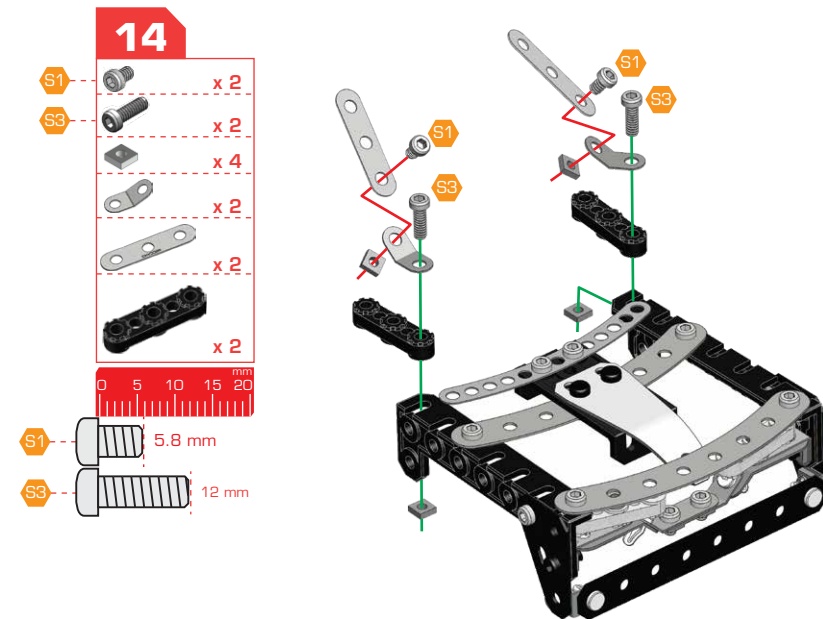
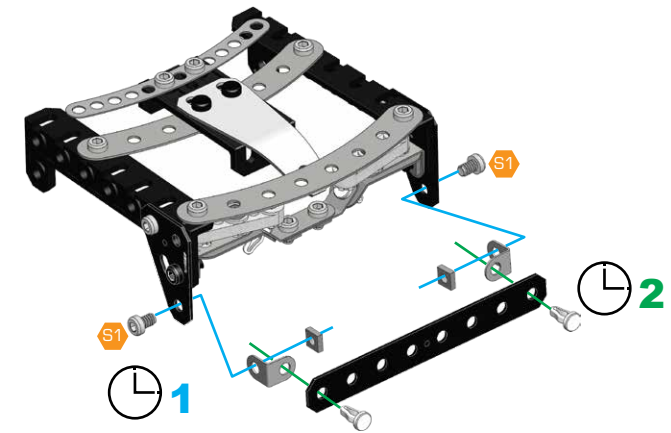
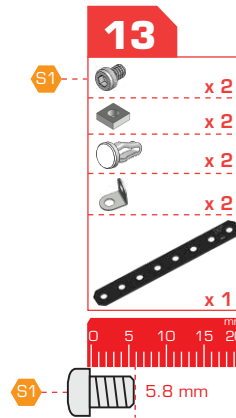
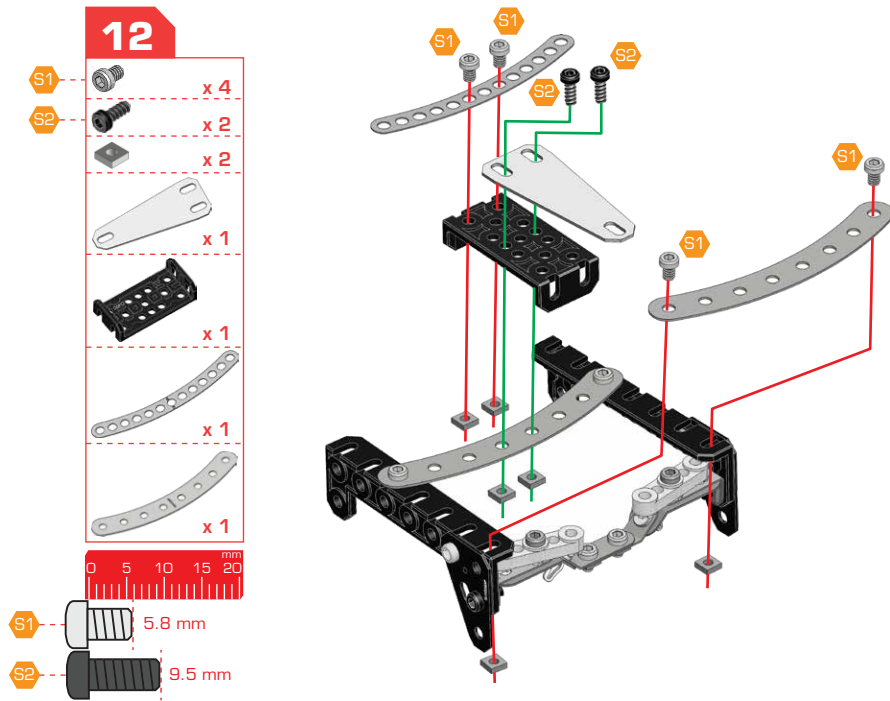
mm
0 5 10 15 20

S1 5.8 mm

S2 9.5 mm







16

- S1 x 2
- x 2
- x 2
- x 2
- x 2

0 5 10 15 20 mm

S1 5.8 mm

17

- S1 x 1
- S2 x 1
- x 2
- x 1
- x 1

0 5 10 15 20 mm

S1 5.8 mm

S2 9.5 mm

18

- S2 x 2
- x 2
- x 2
- x 1
- x 1
- x 1

0 5 10 mm

S2 9.5 mm

19

- S2 x 2
- x 2
- x 1

0 5 10 15 20 mm

S2 9.5 mm

