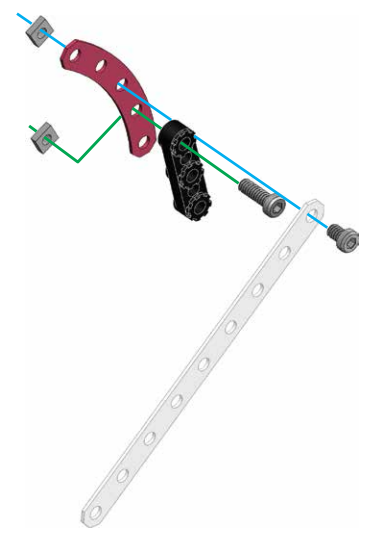


17

- S1 x 1
- S3 x 1
- x 2
- x 1
- x 1
- x 1

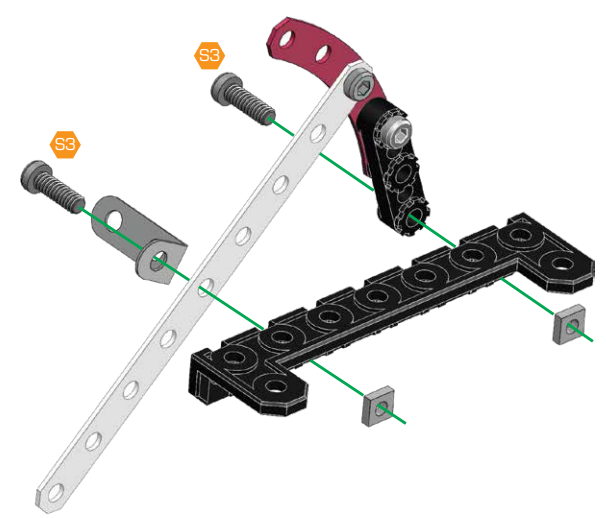
- S1 5.8 mm
- S3 12 mm



18

- S3 x 2
- x 2
- x 1
- x 1

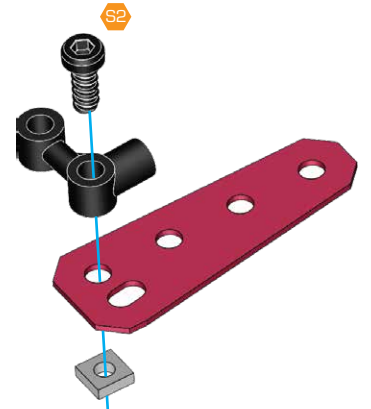
- S3 12 mm



19

- S2 x 1
- x 1
- x 1
- x 1

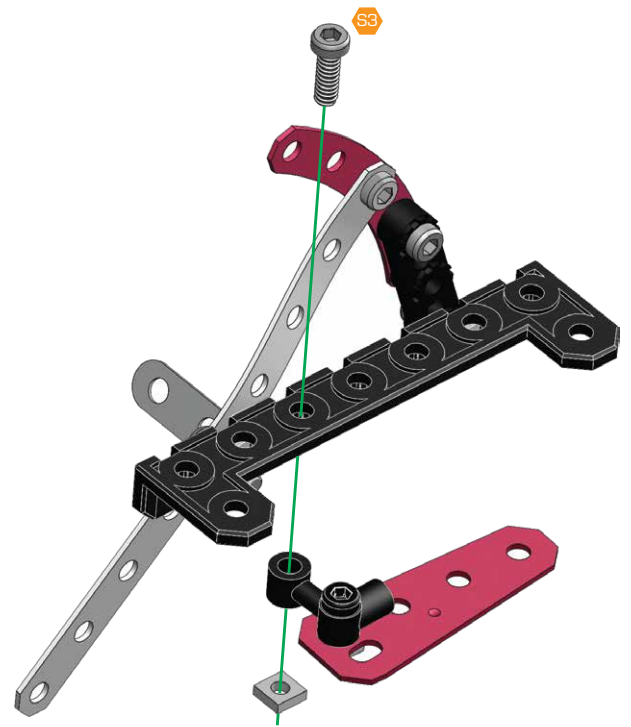
- S2 9.5 mm

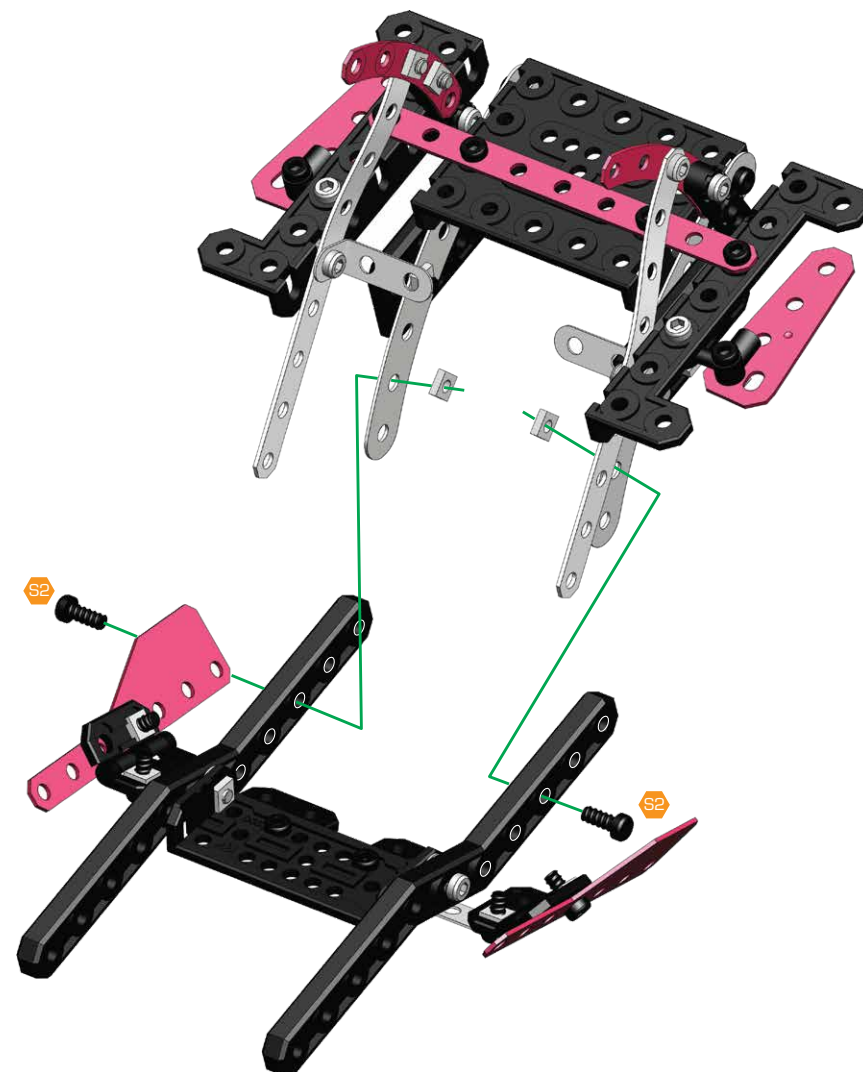
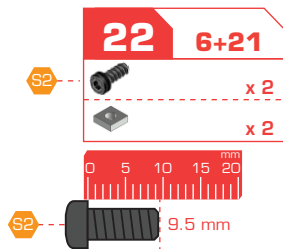
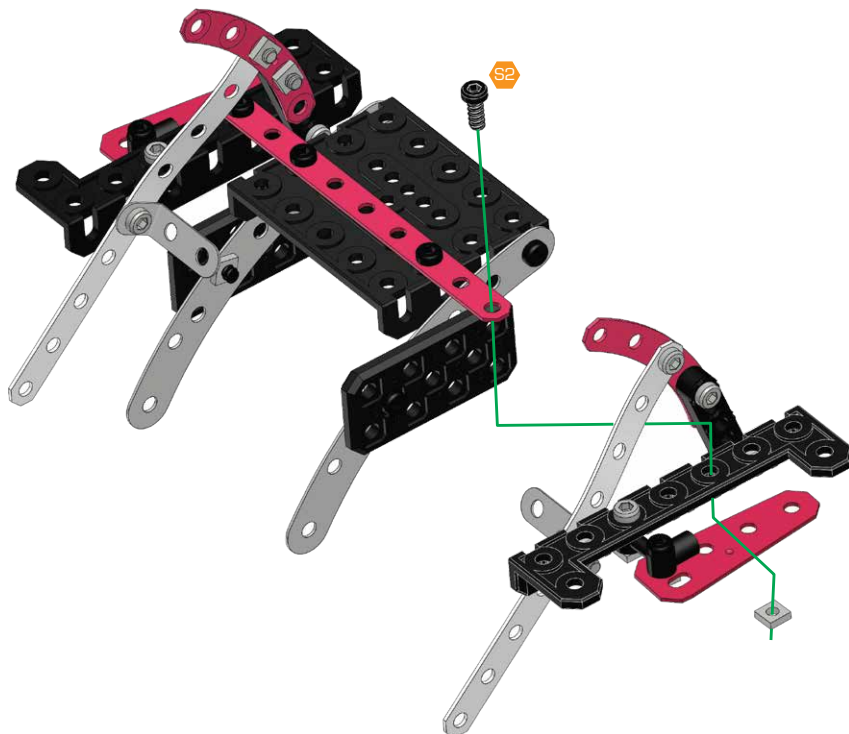
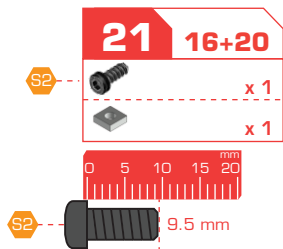


20 18+19

- S3 x 1
- x 1

- S3 12 mm

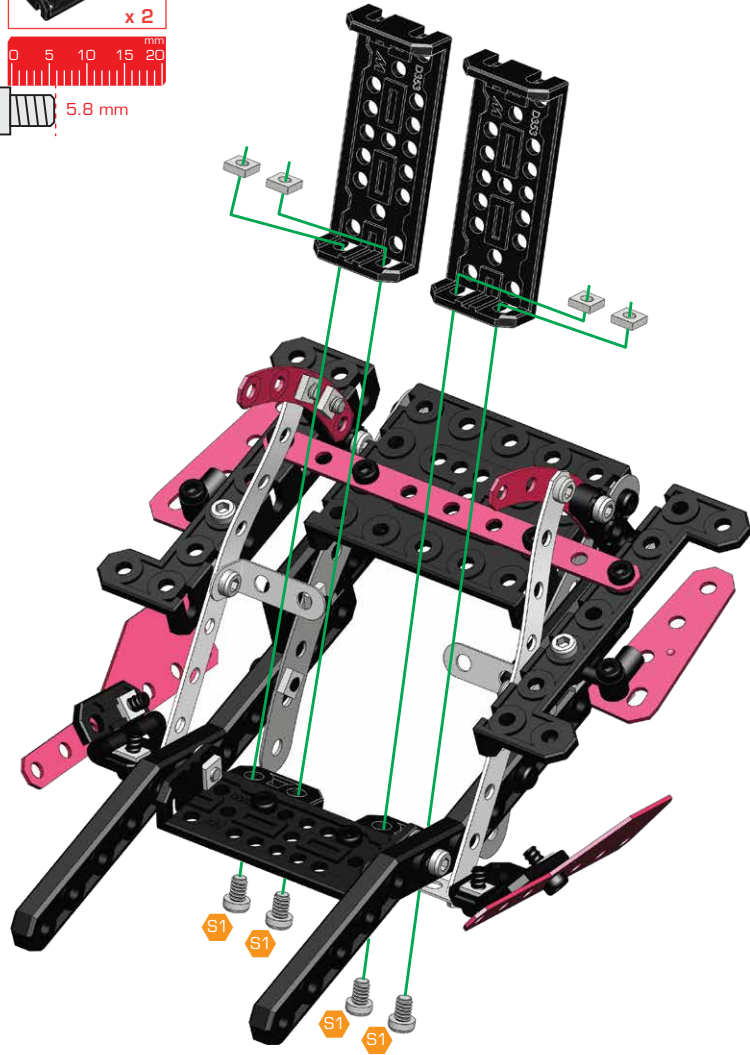




23

- S1 x 4
- x 4
- x 2

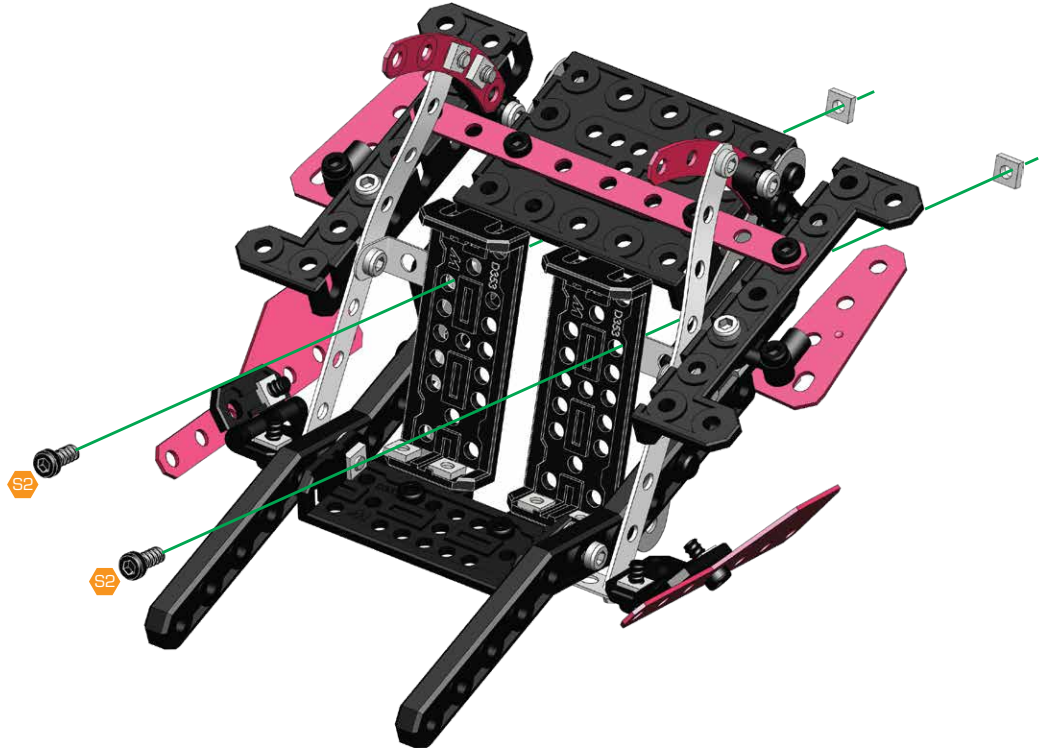
5.8 mm

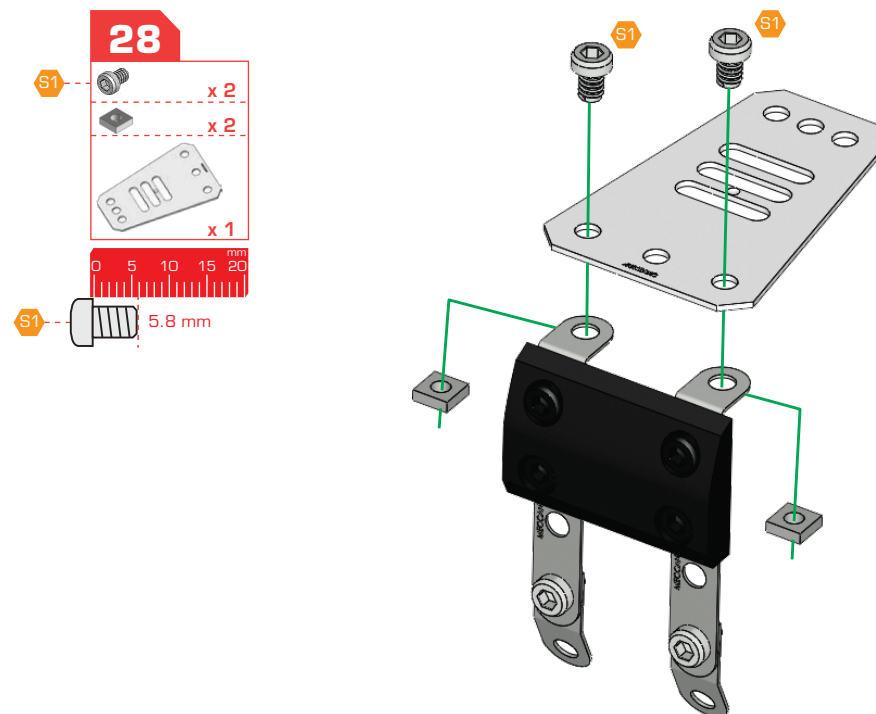
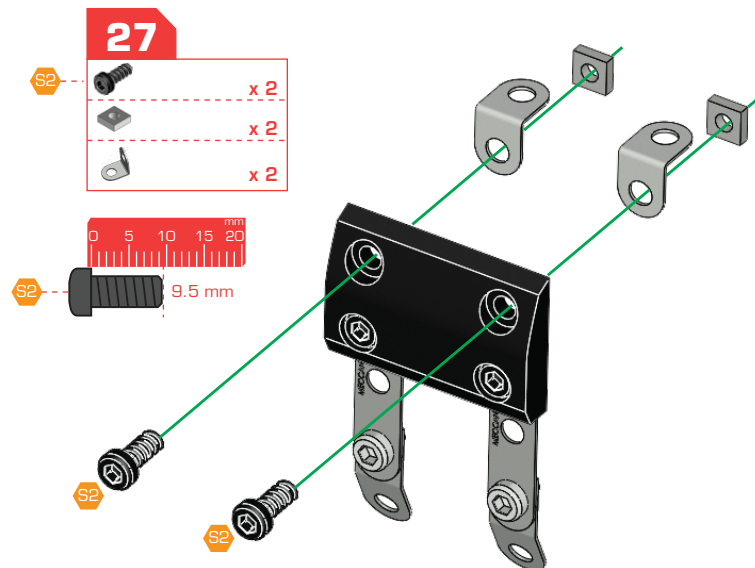
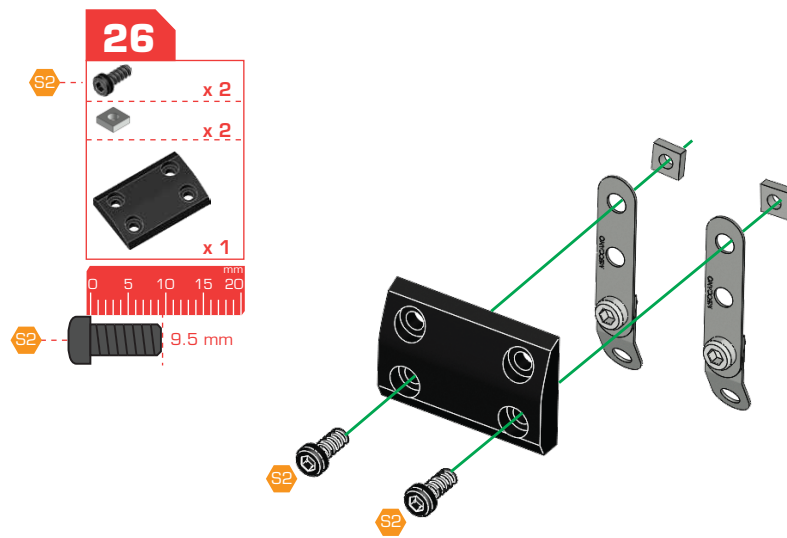
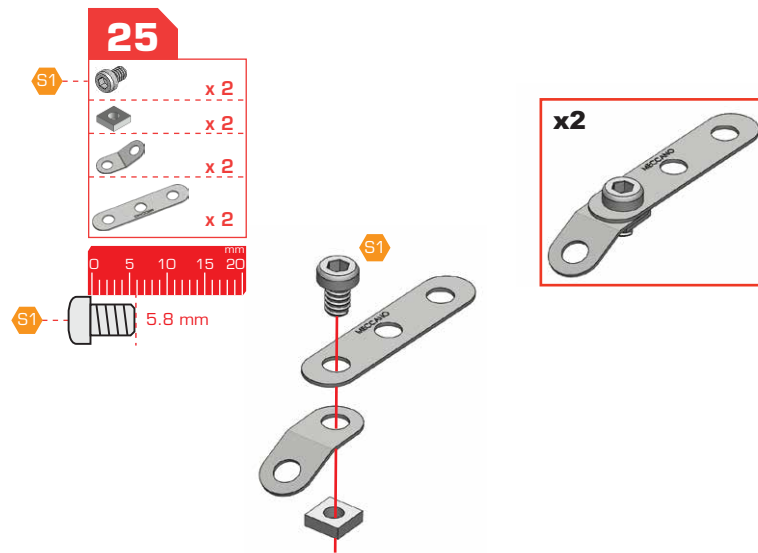


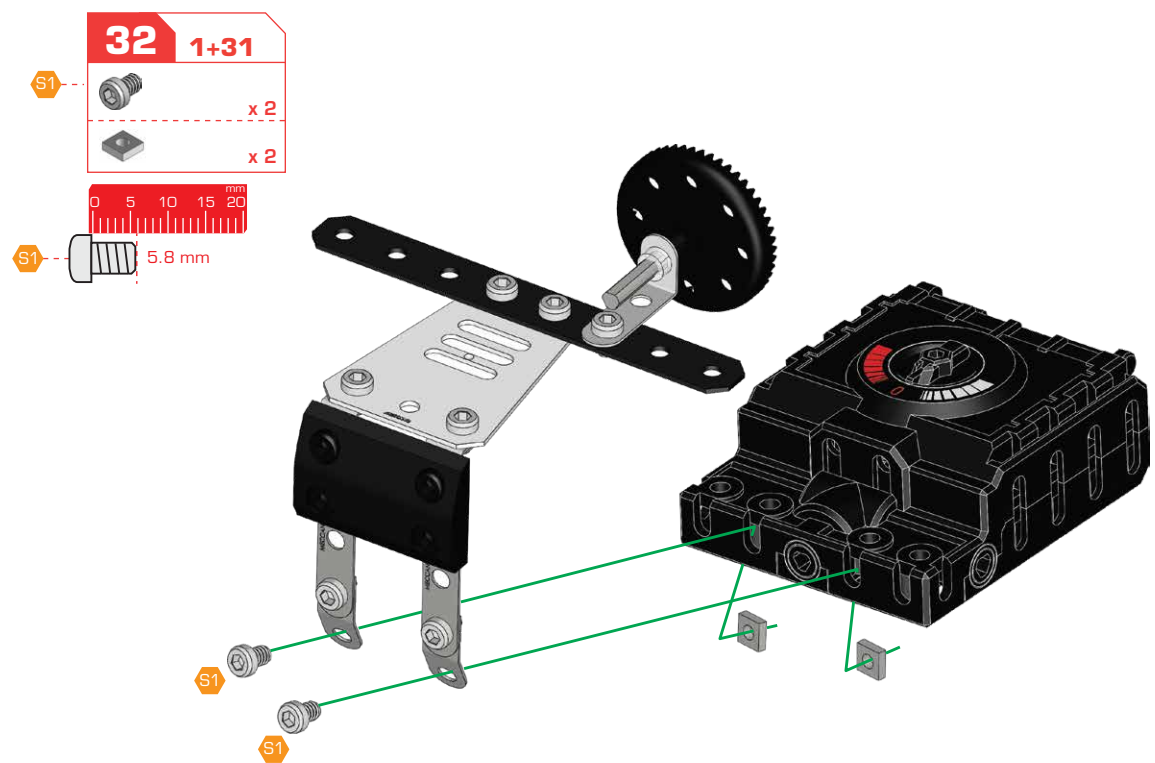
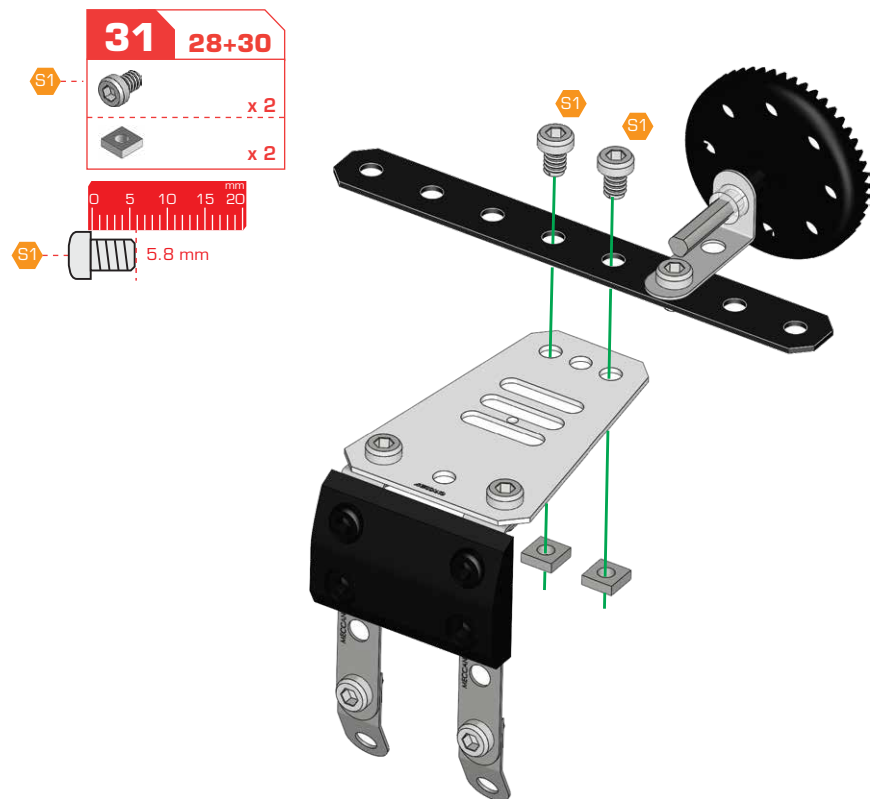
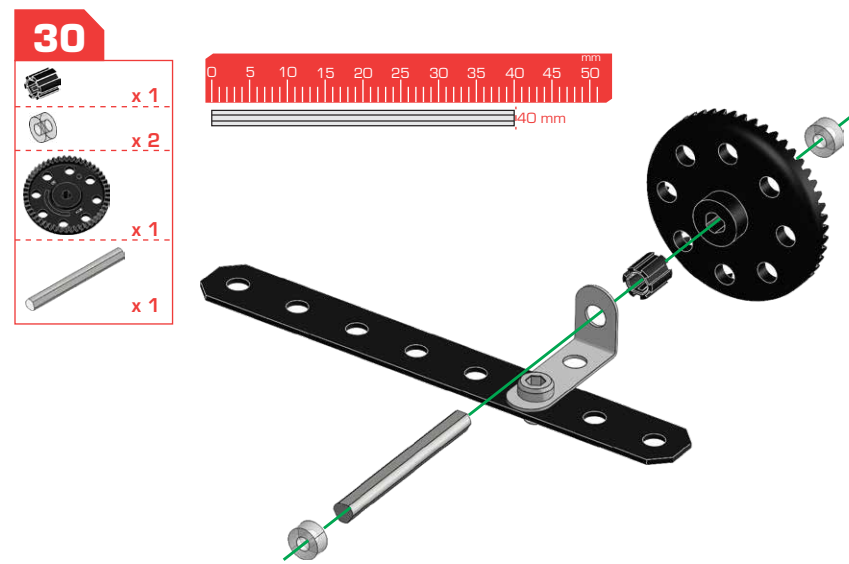
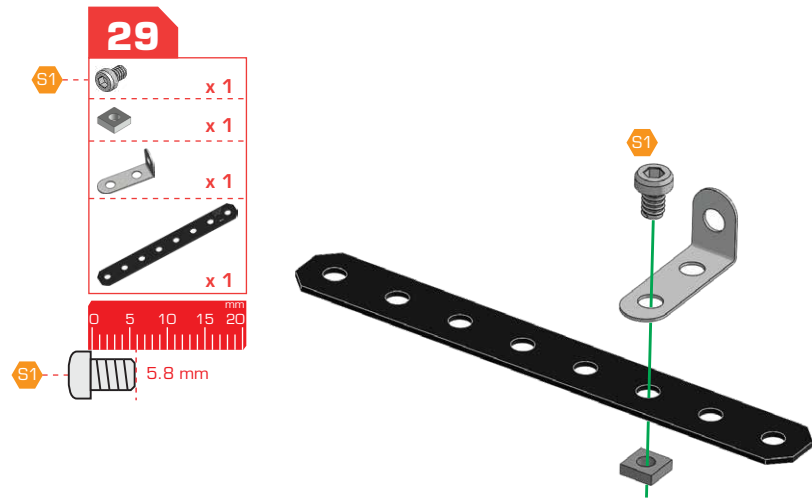
24

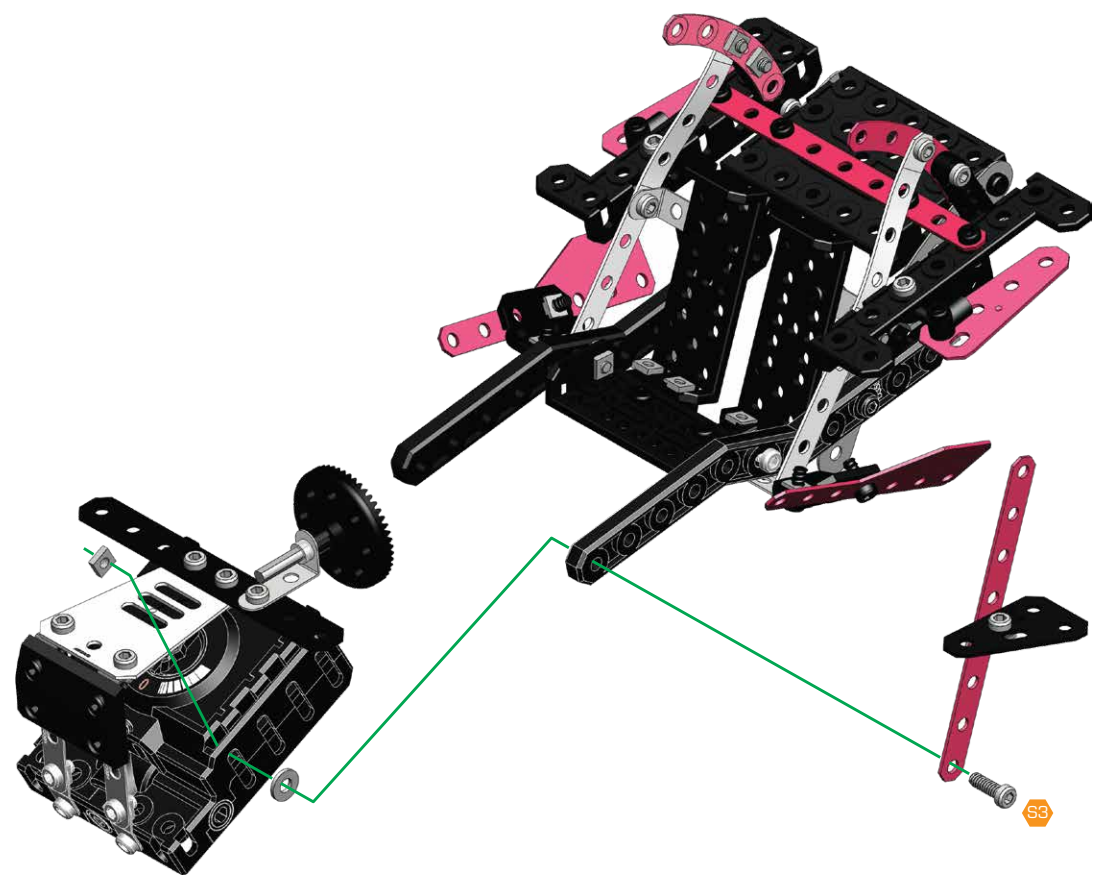
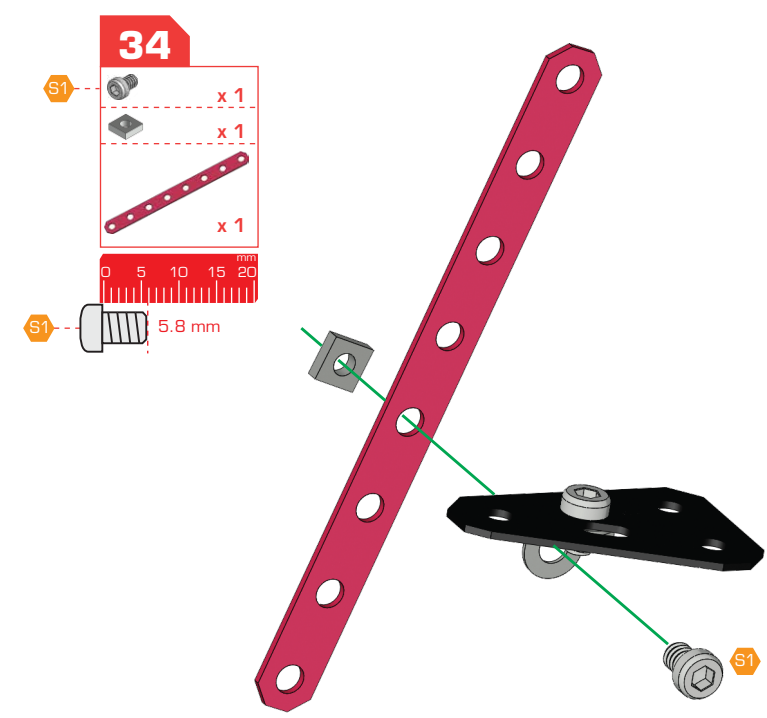
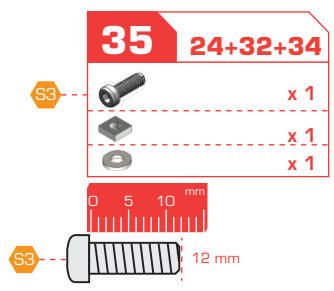
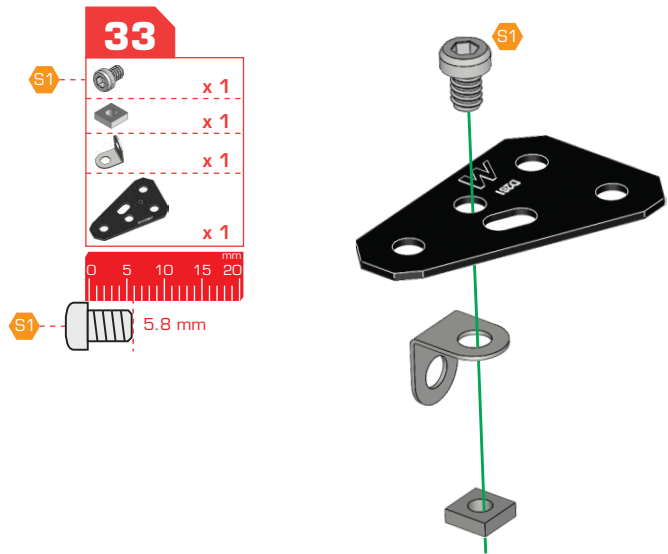
- S2 x 2
- x 2

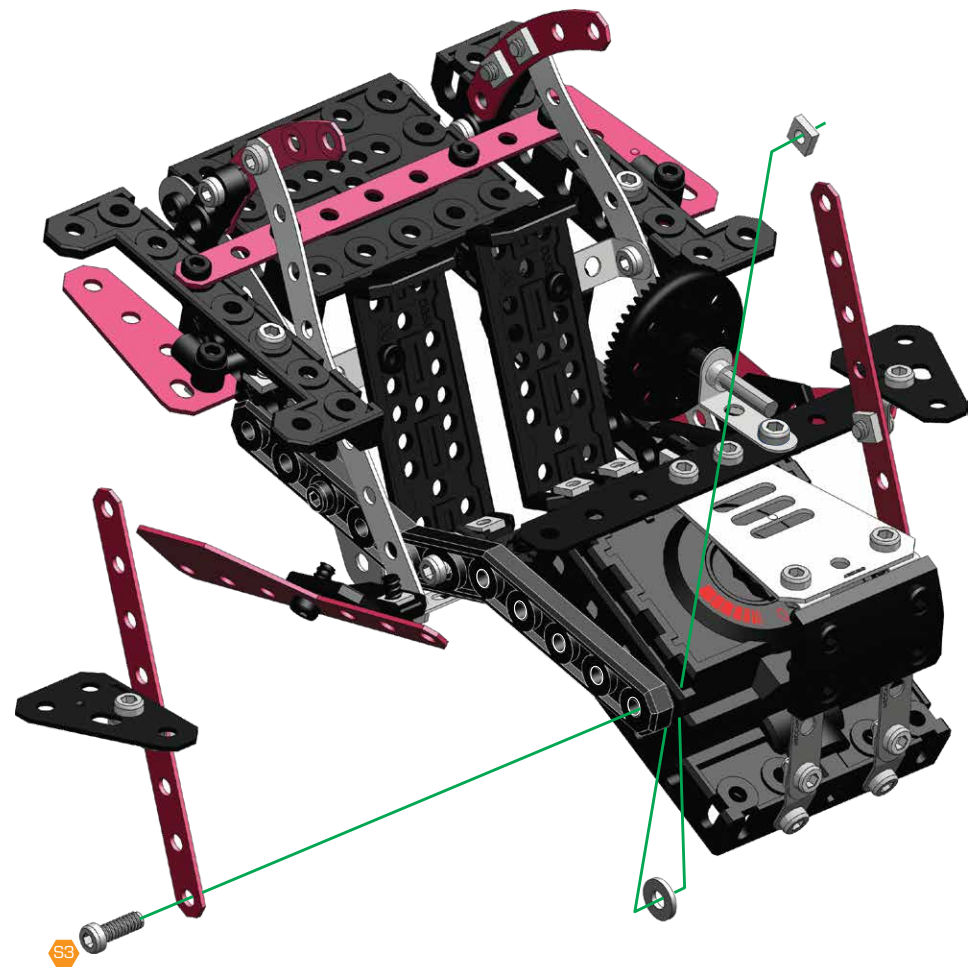
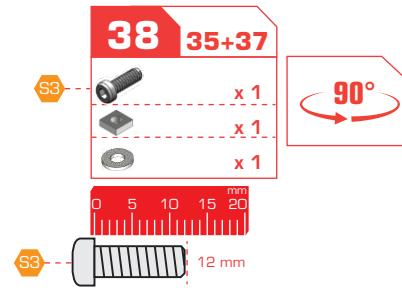
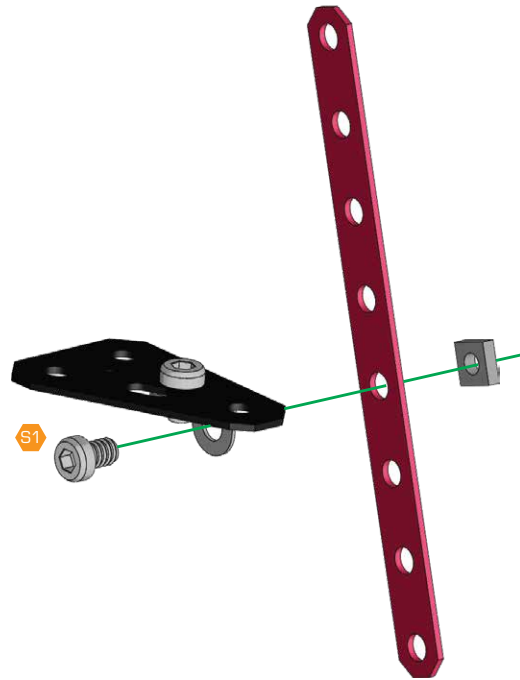
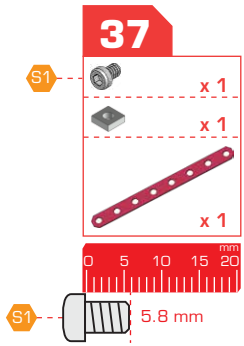
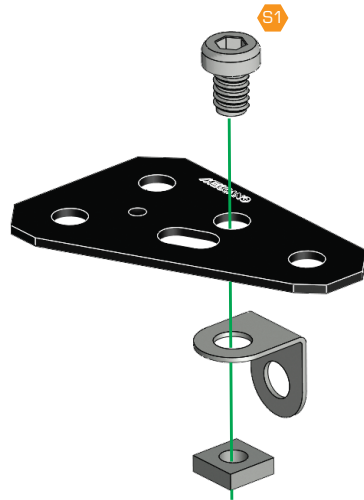
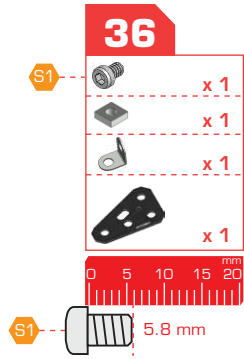
9.5 mm

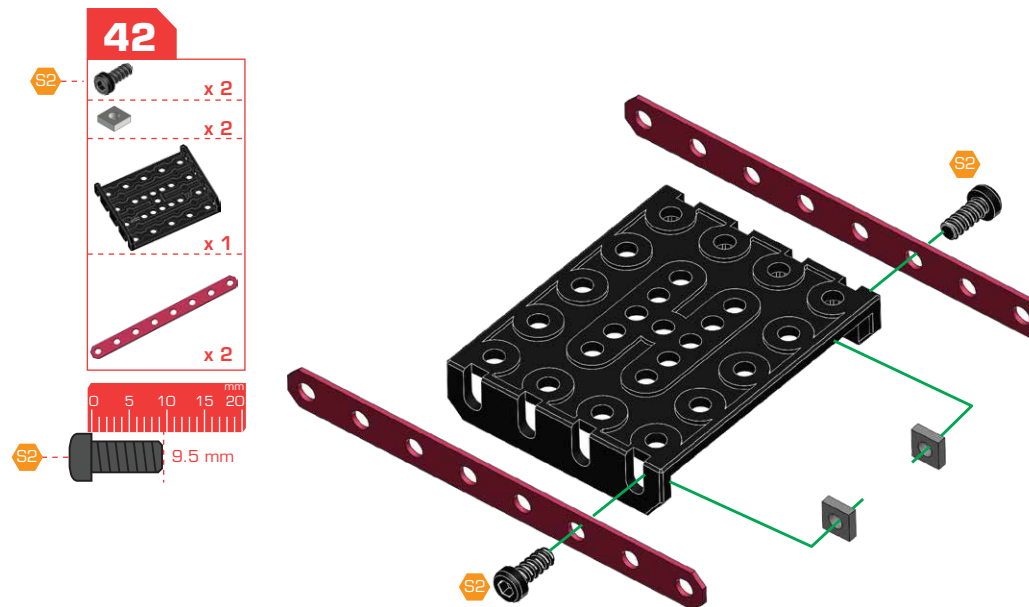
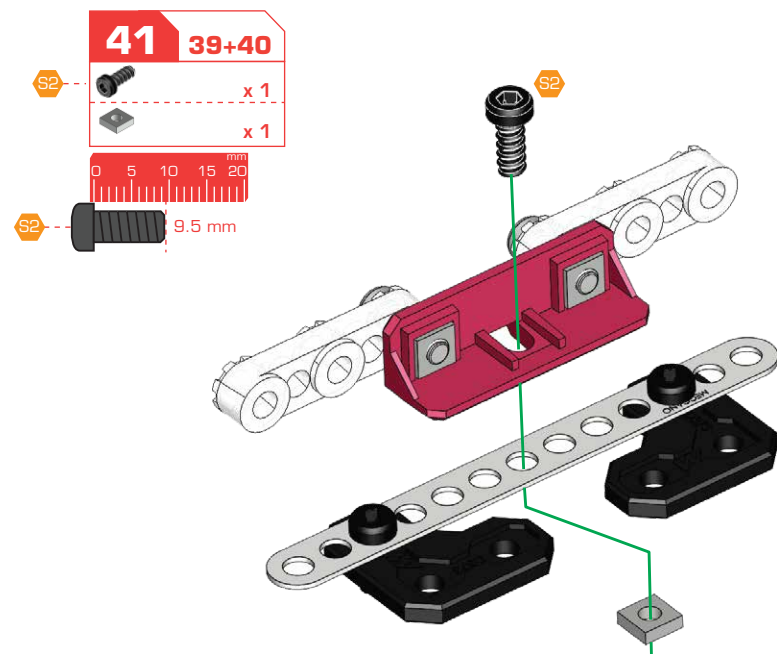
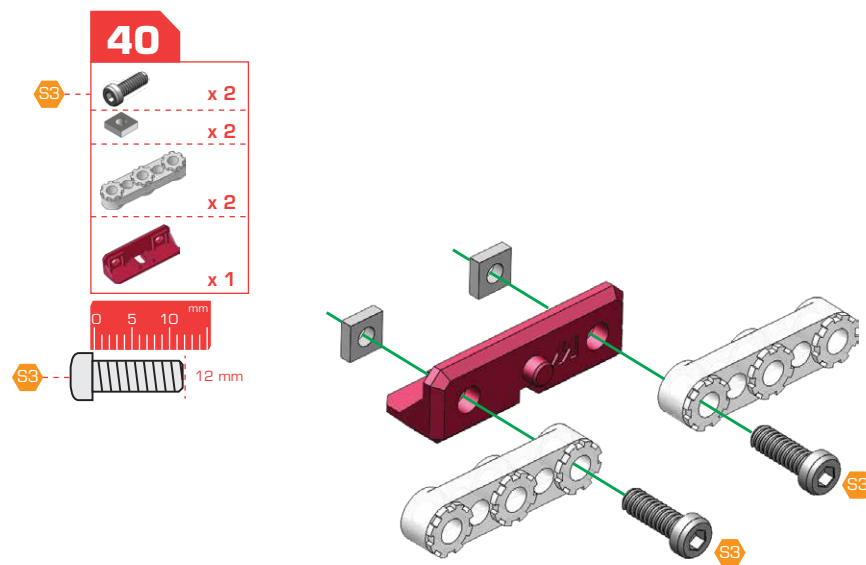
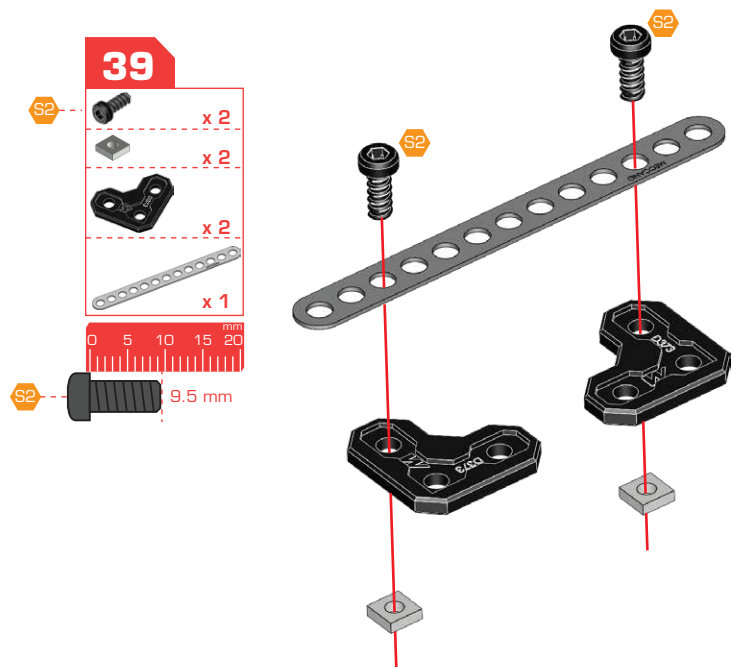












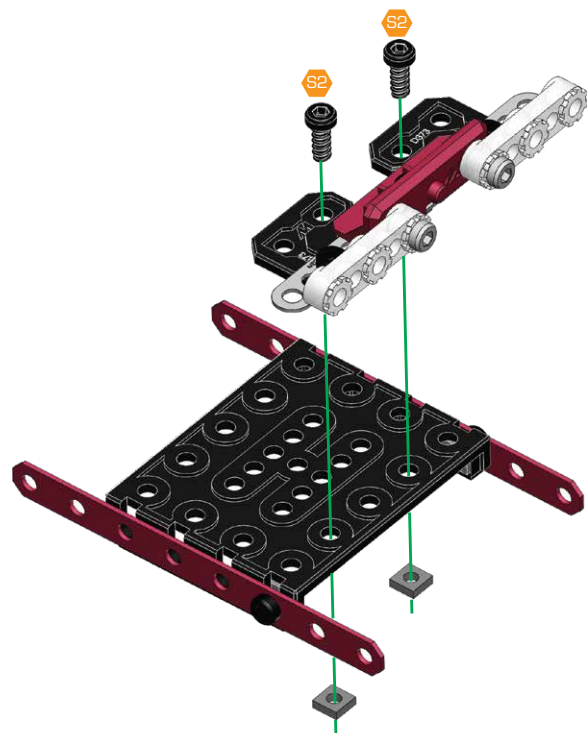
43 41+42

x 2

x 2

0 5 10 15 20 mm

9.5 mm



44 38+42

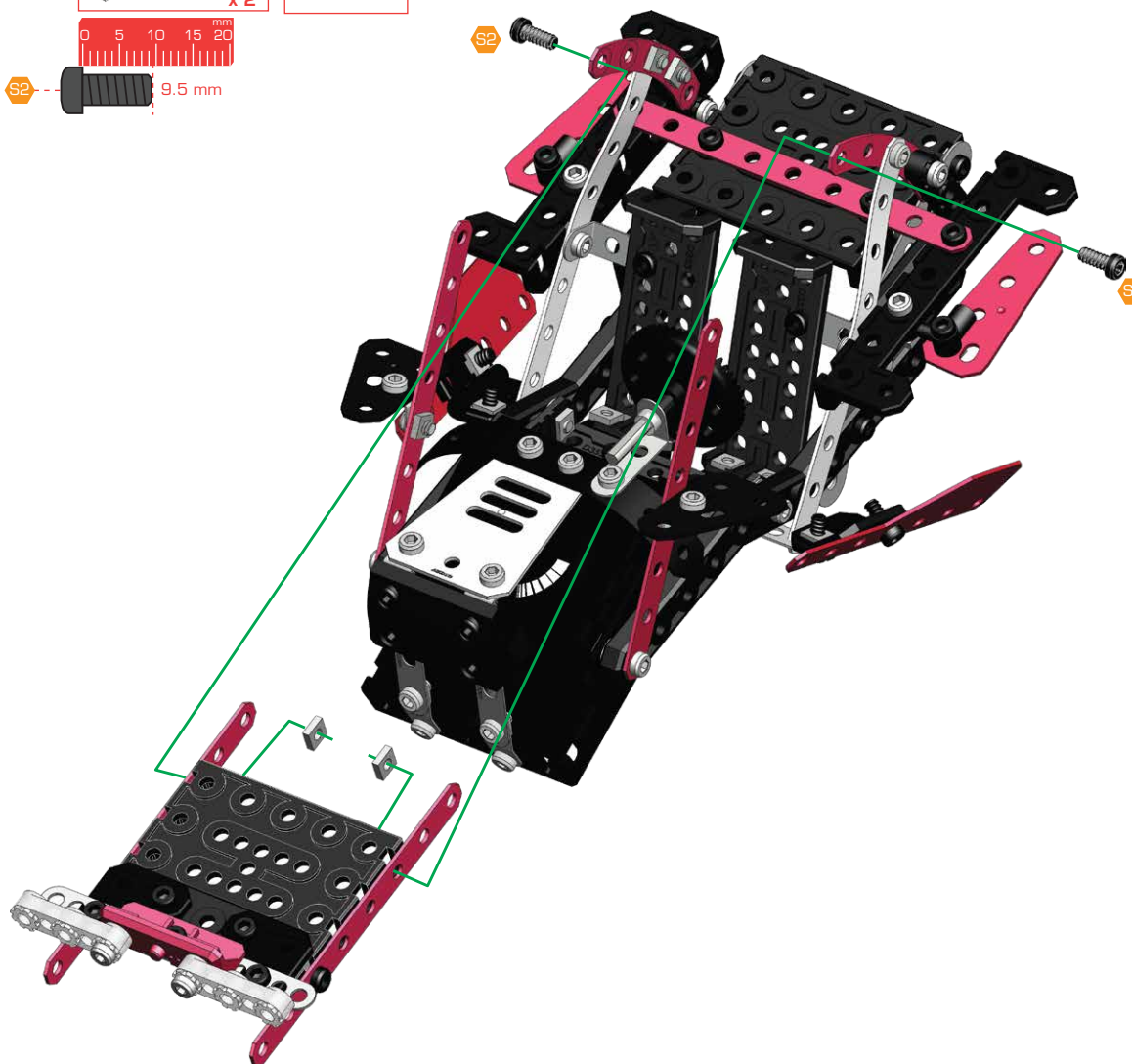
x 2

x 2

0 5 10 15 20 mm

9.5 mm

90°

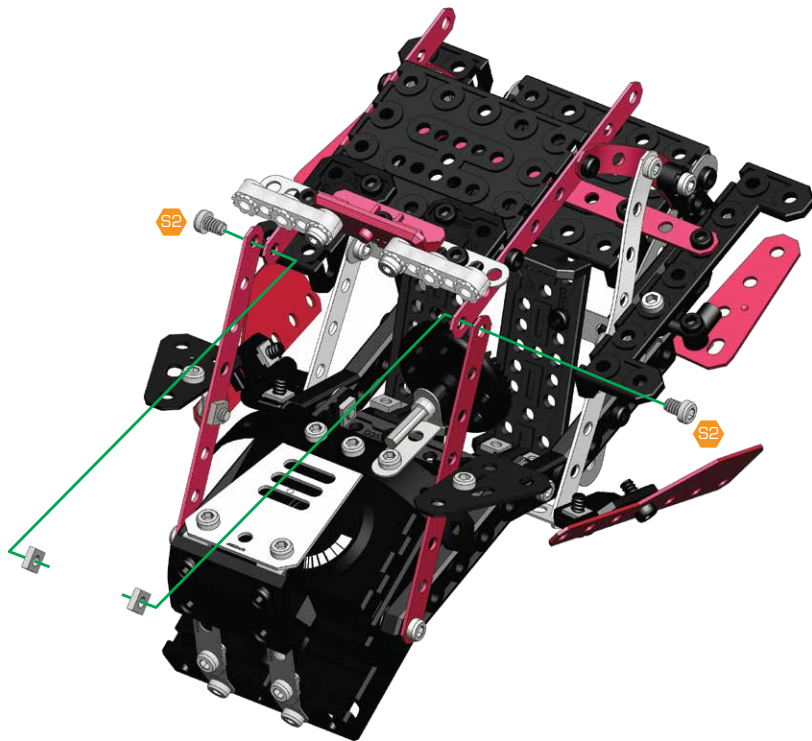


45

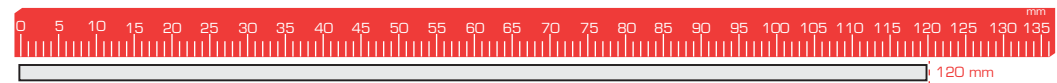
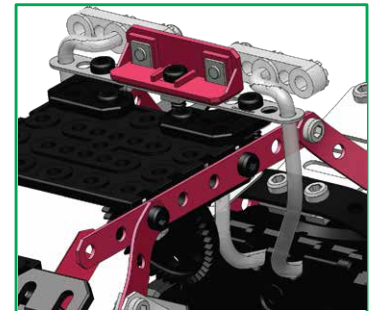
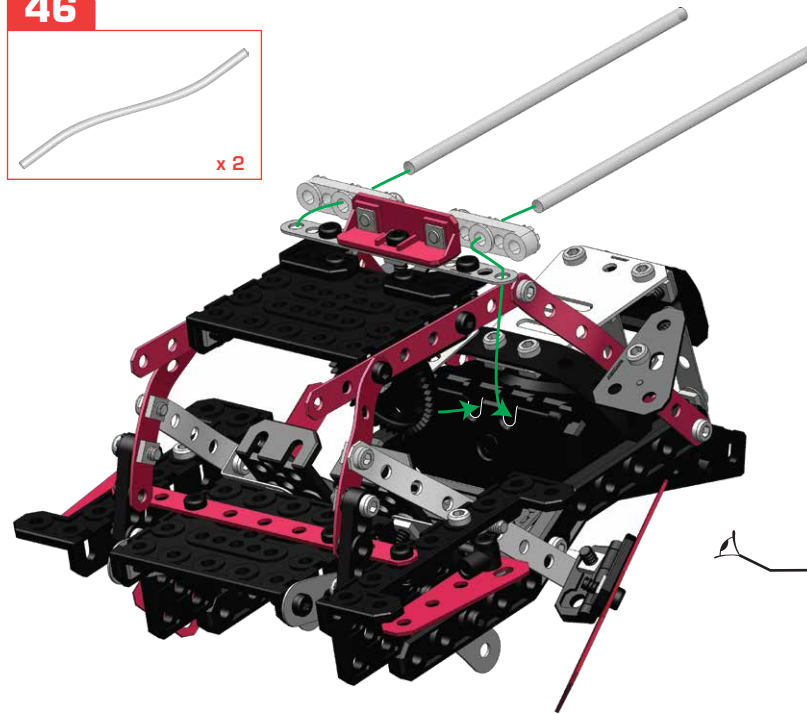
- S2 x 2
- x 2



- S1 5.8 mm



46

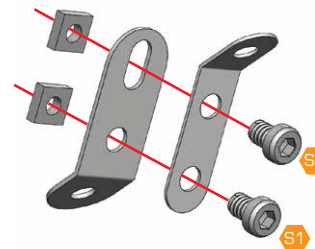
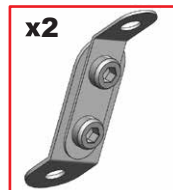


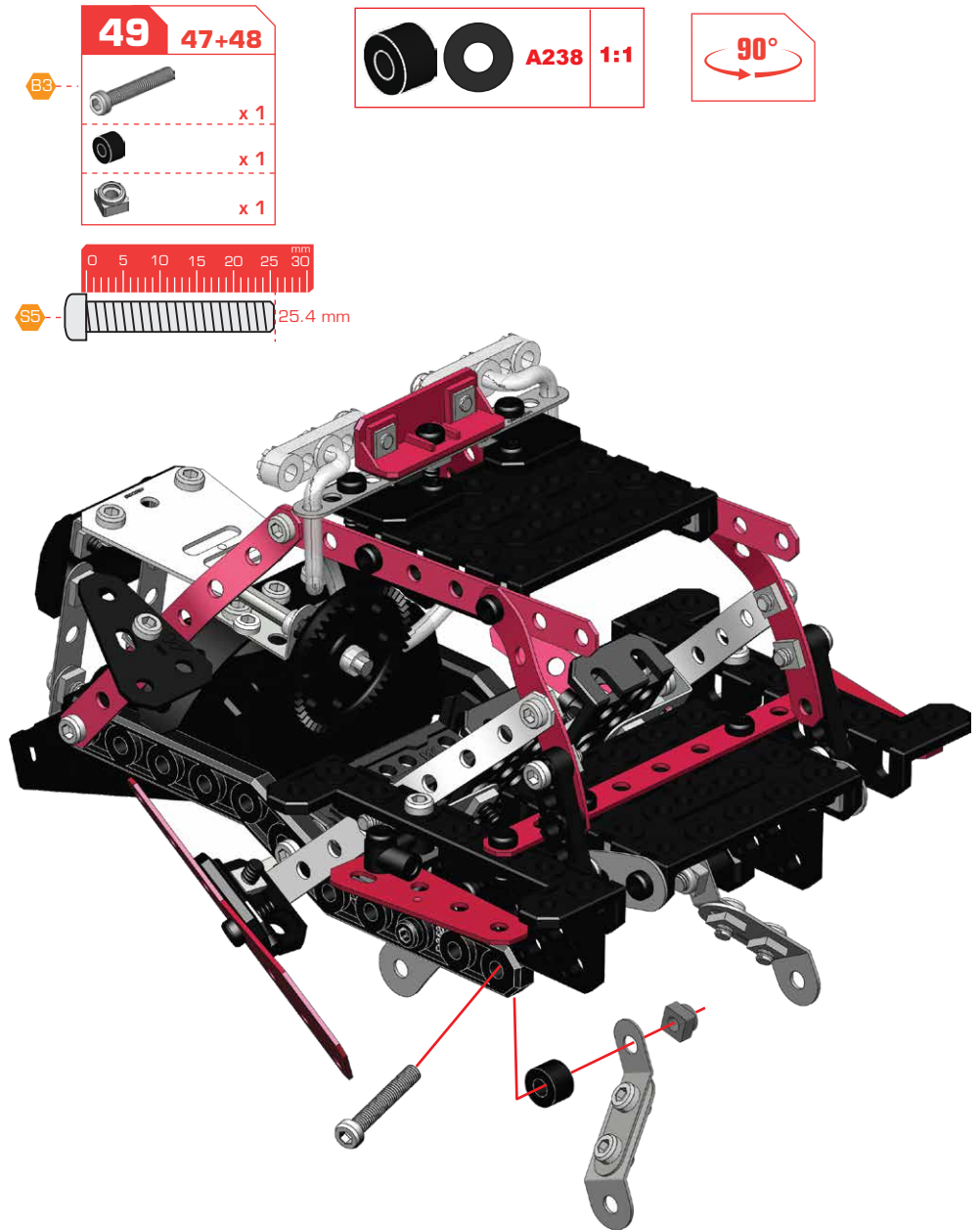
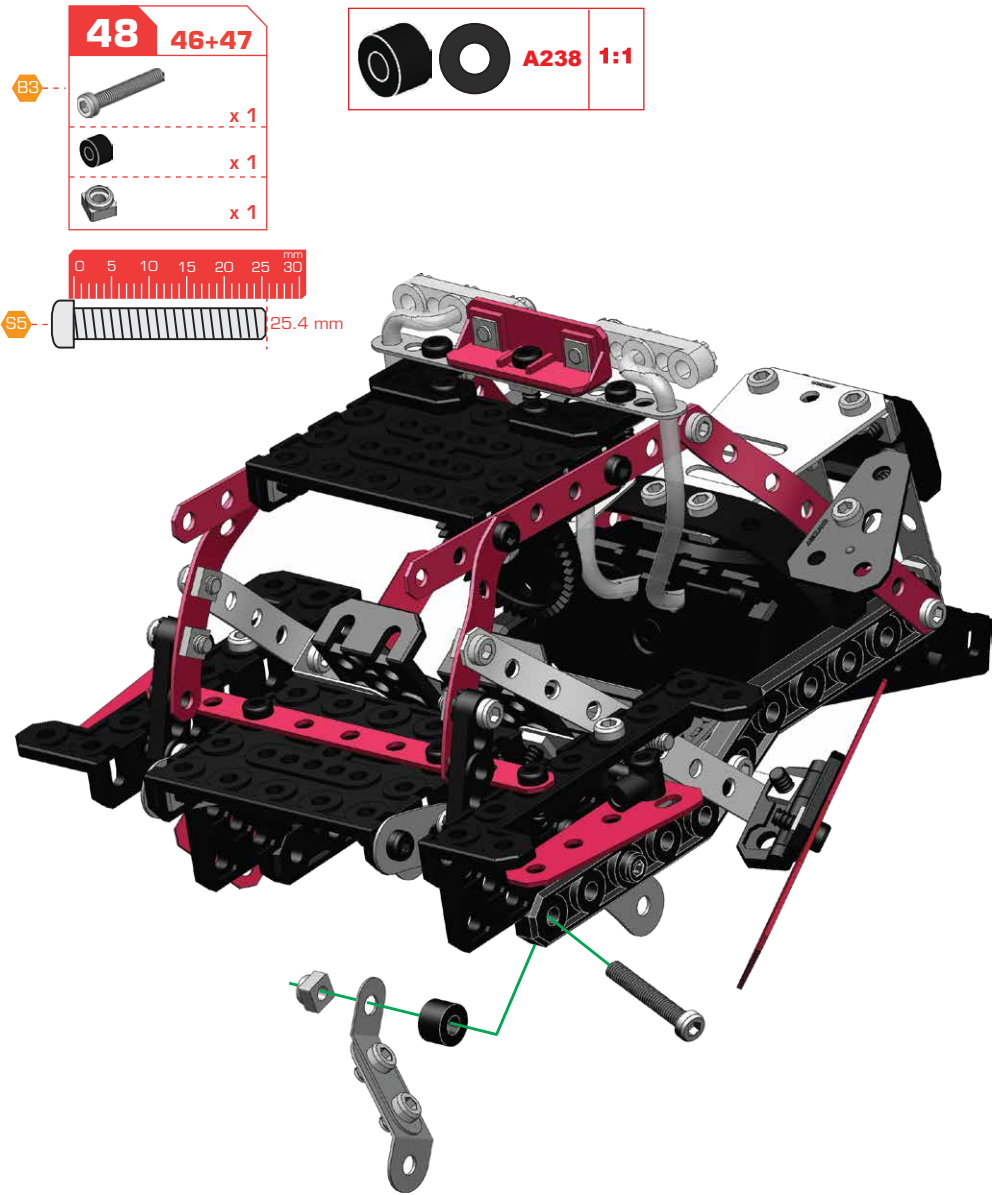
47

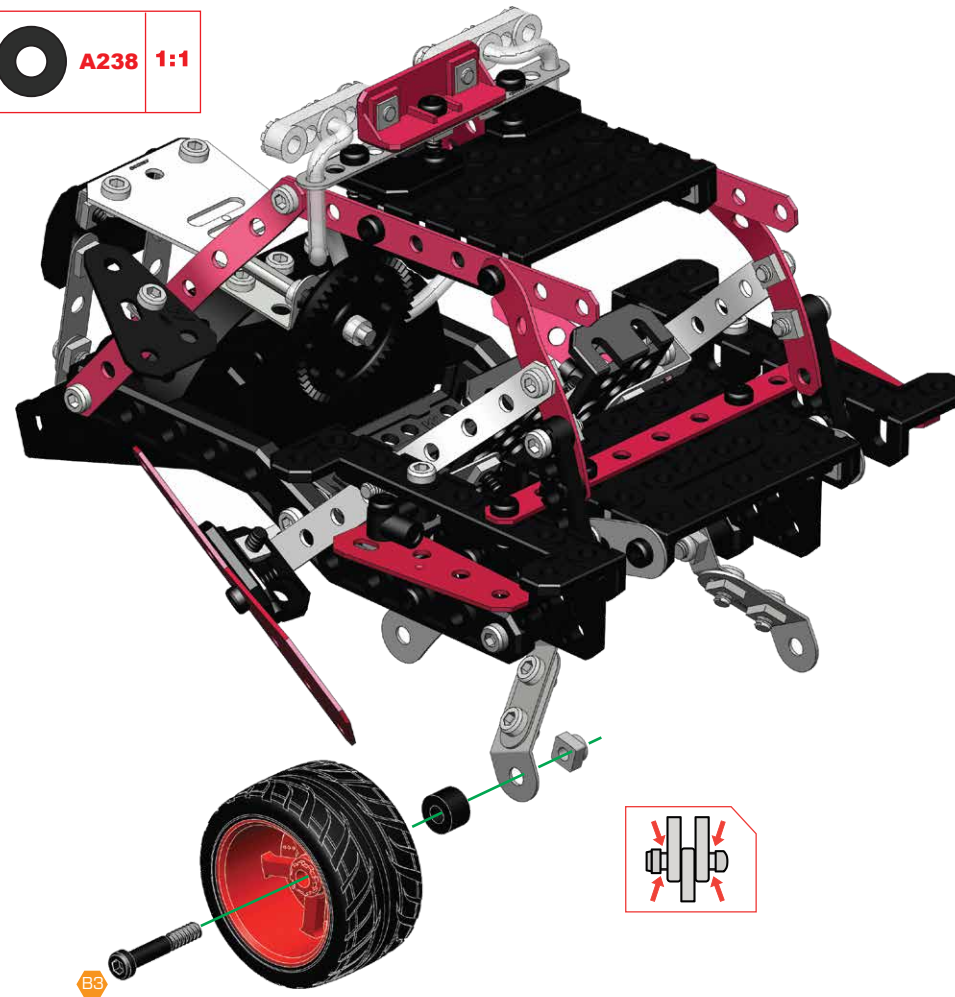
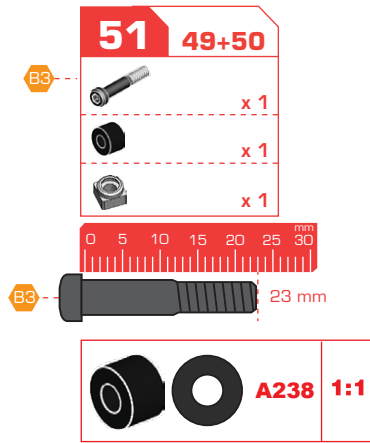
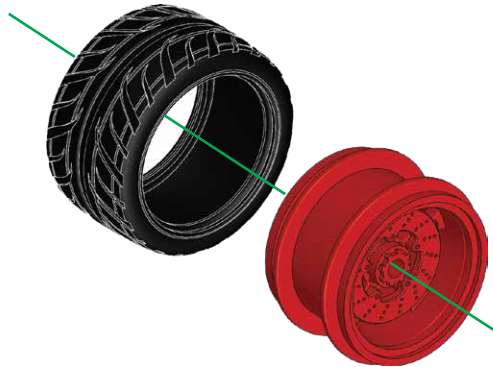
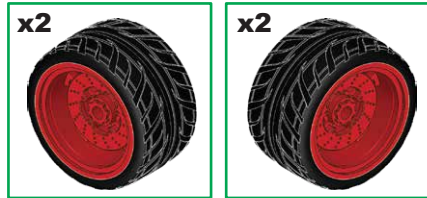
- S1 x 4
- x 4
- x 2
- x 2



- S1 5.8 mm







52 50+51

- x 1
- x 1
- x 1

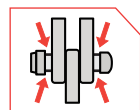
90°

0 5 10 15 20 25 30 mm

23 mm



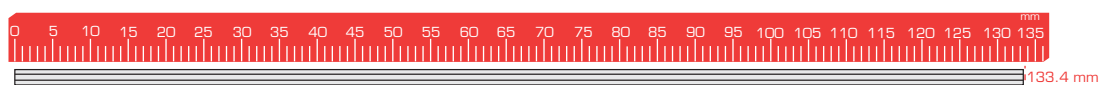
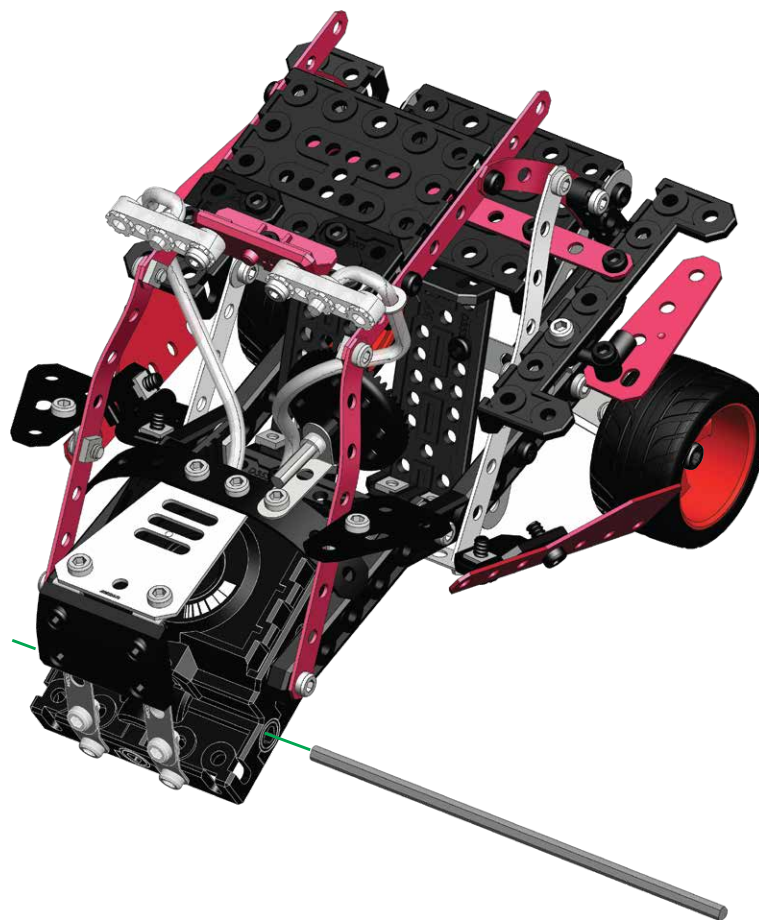
A238 1:1







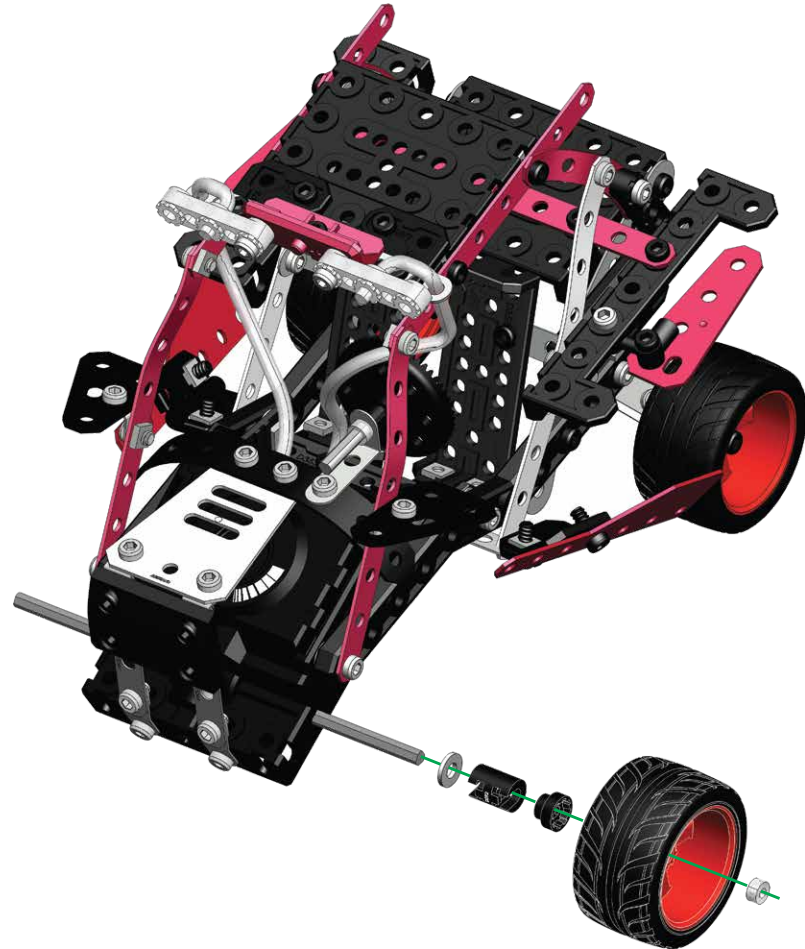
53





x 1

180°



54	50+53
	x 1
	x 1
	x 1
	x 1



55	50+54
	x 1
	x 1
	x 1
	x 1

