




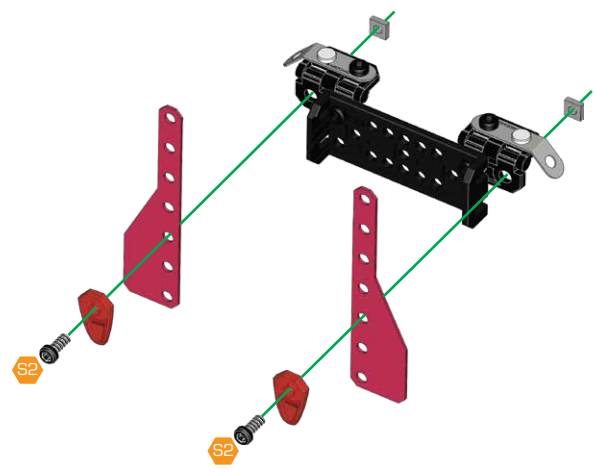


13

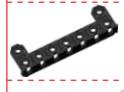
-  x 2
-  x 2
-  x 2
-  x 2

0 5 10 15 20 mm

 9.5 mm

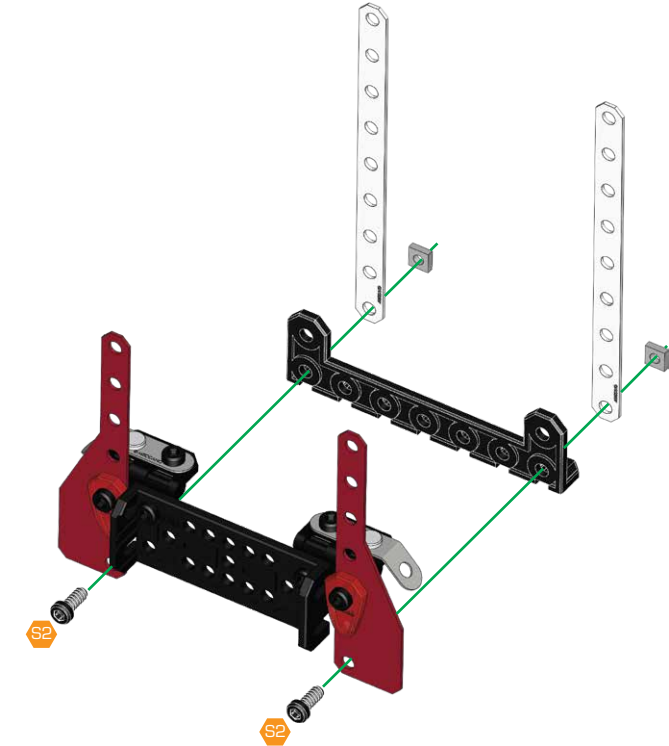


14



-  x 2
-  x 2
-  x 1
-  x 2

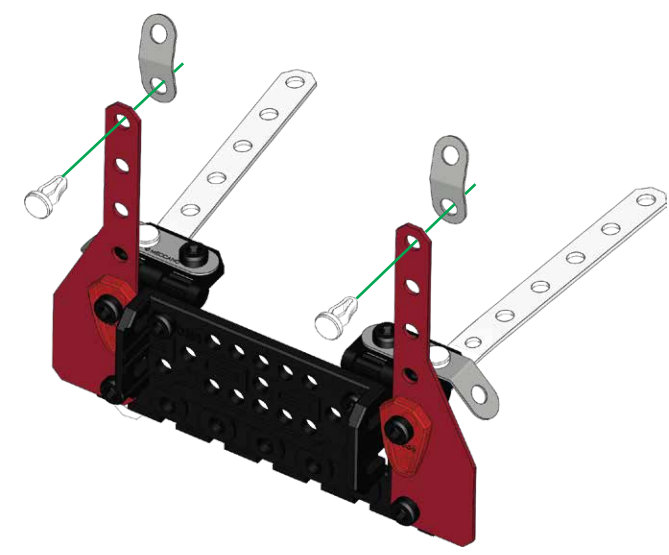
0 5 10 15 20 mm

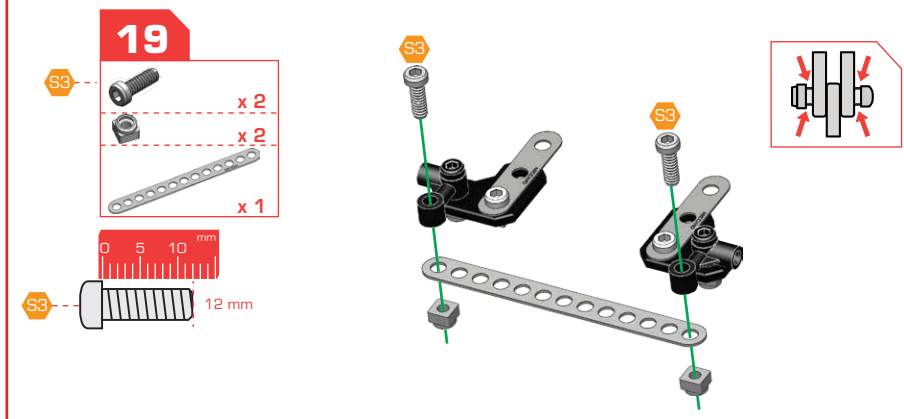
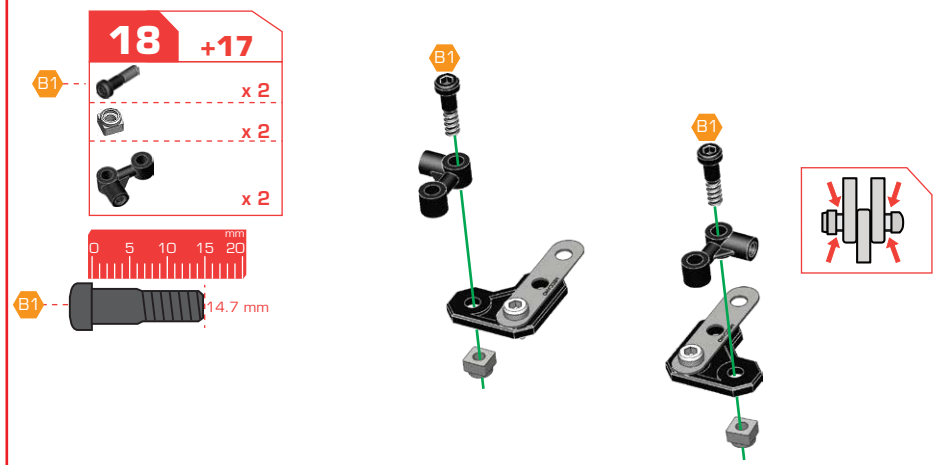
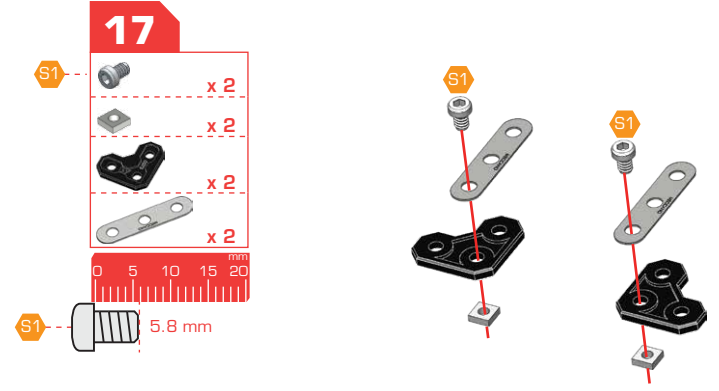
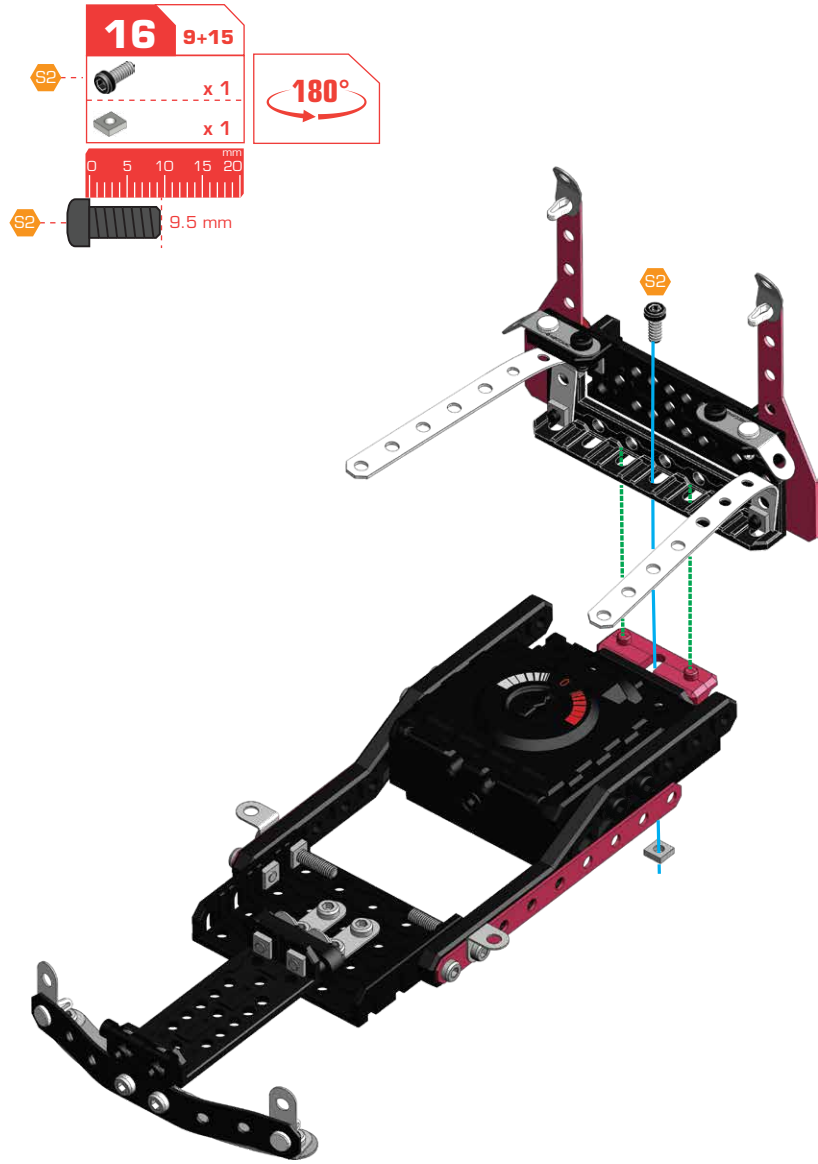
 9.5 mm

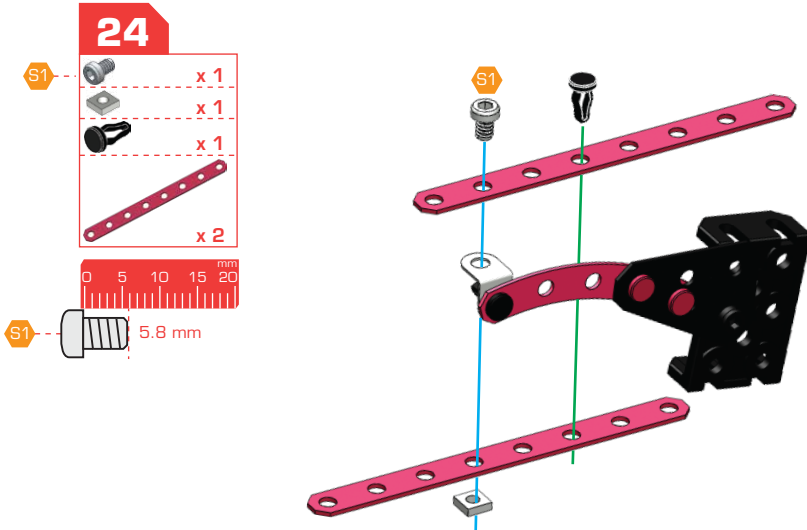
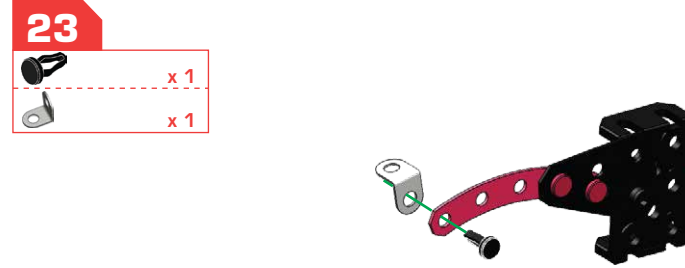
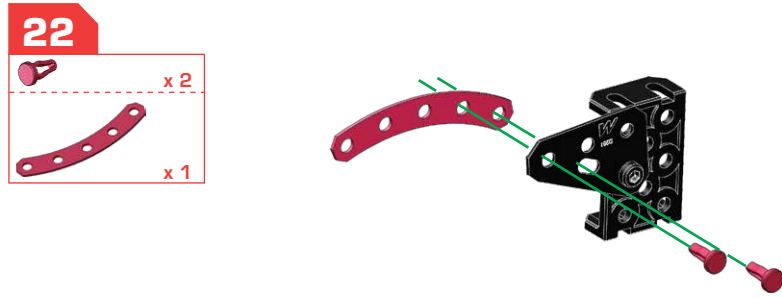
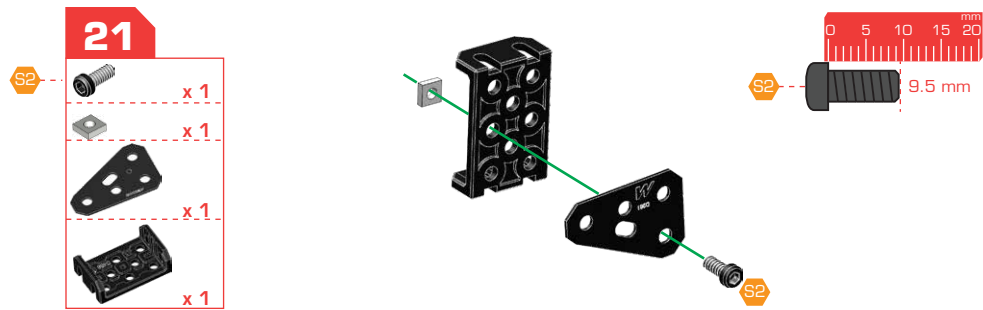
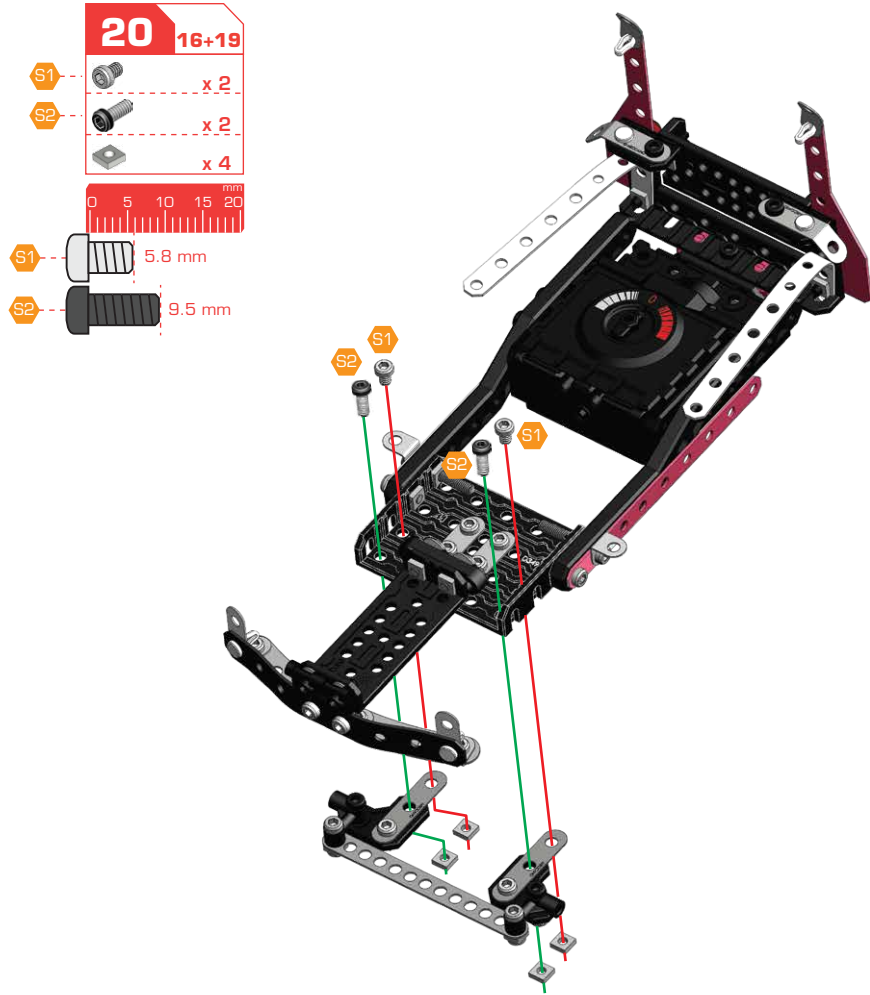


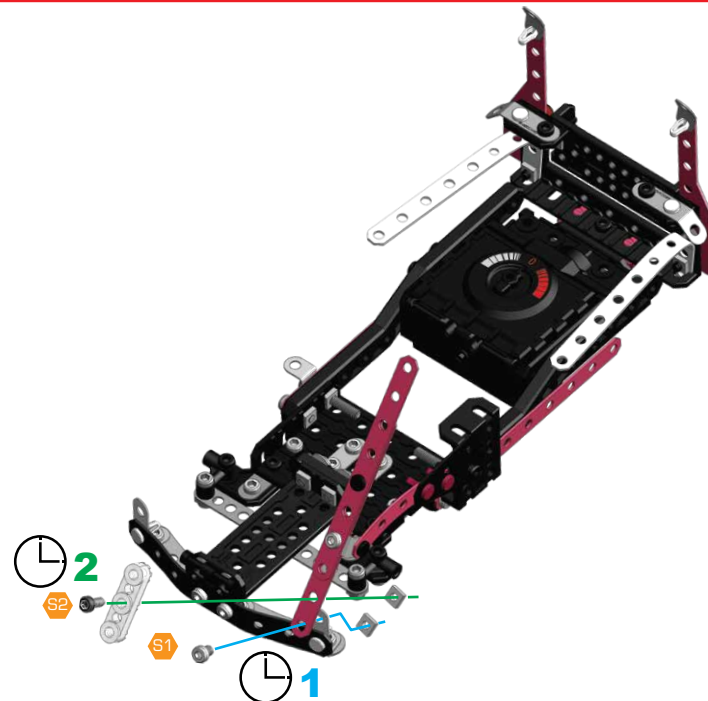
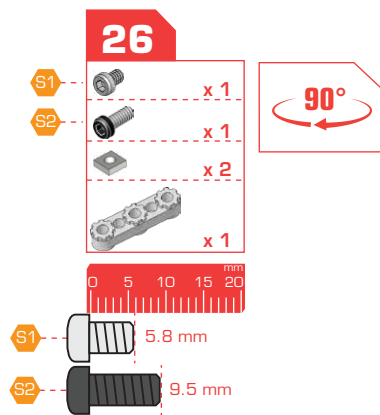
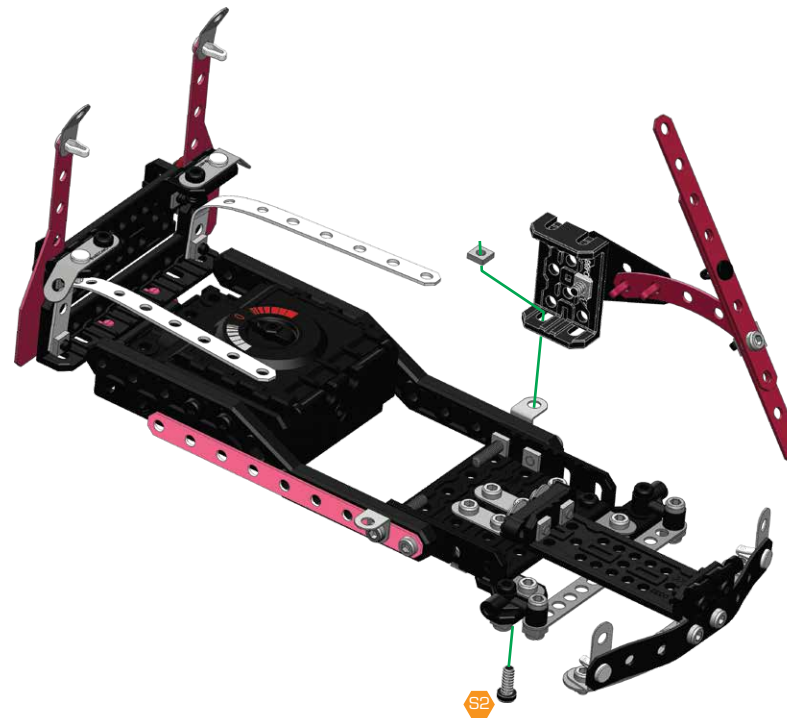
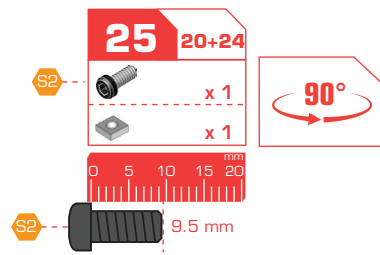
15

-  x 2
-  x 2







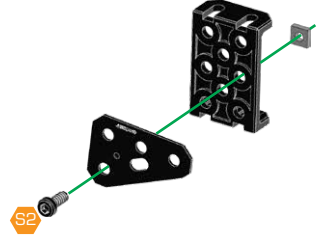


27

- S2 x 1
- x 1
- x 1
- x 1

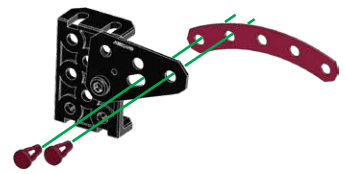
0 5 10 15 20 mm

S2 9.5 mm



28

- x 2
- x 1



29

- x 1
- x 1

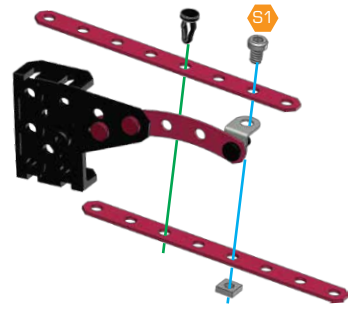


30

- S1 x 1
- x 1
- x 1
- x 2

0 5 10 15 20 mm

S1 5.8 mm

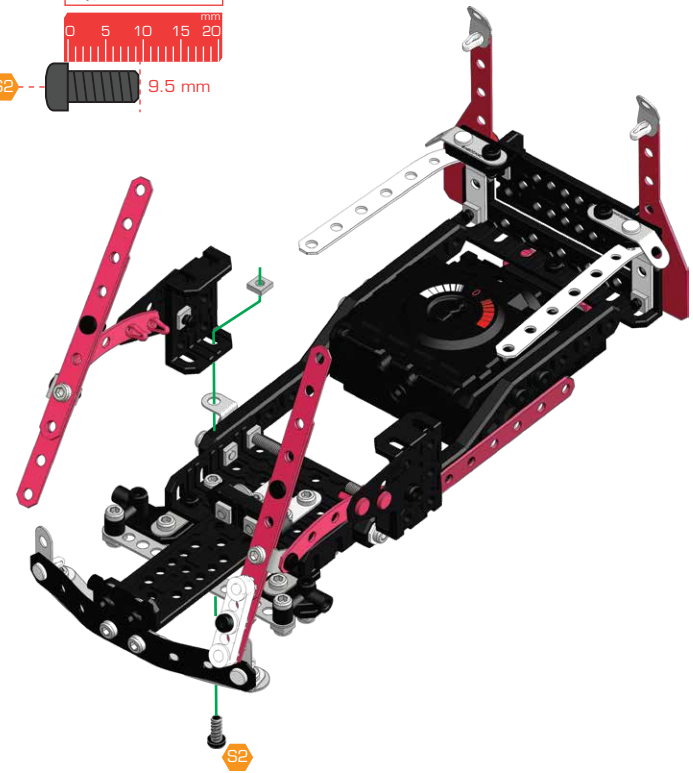


31 26+30

- S2 x 1
- x 1

0 5 10 15 20 mm

S2 9.5 mm



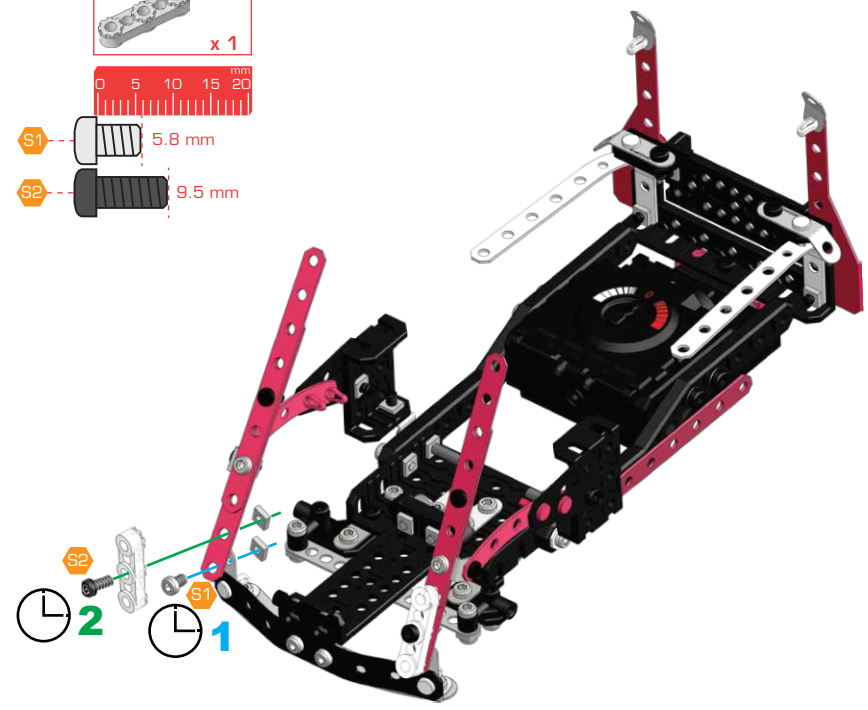
32

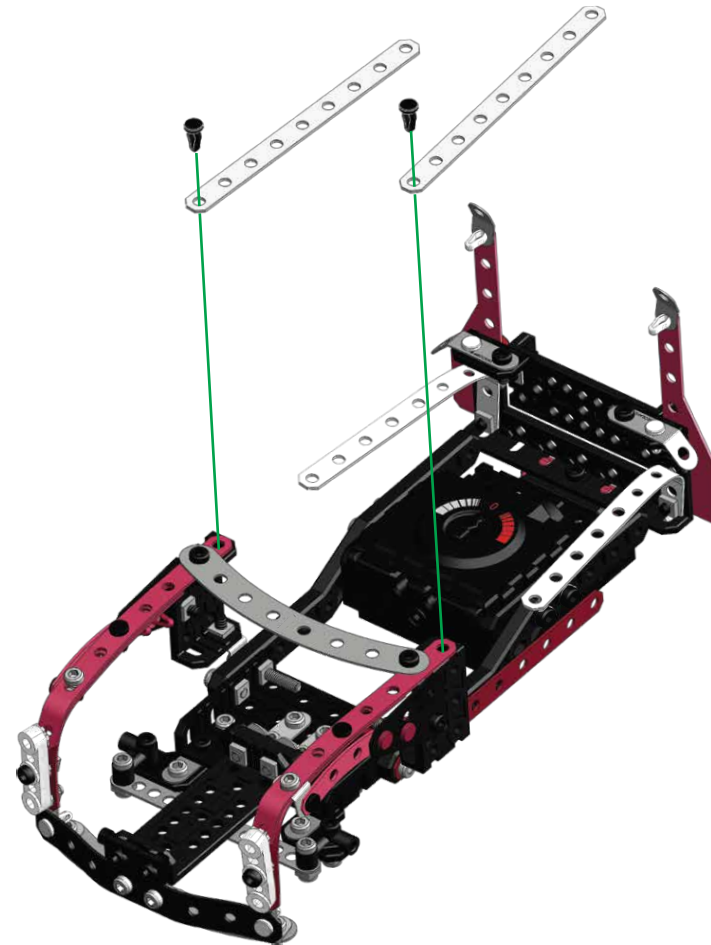
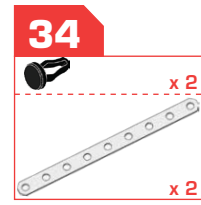
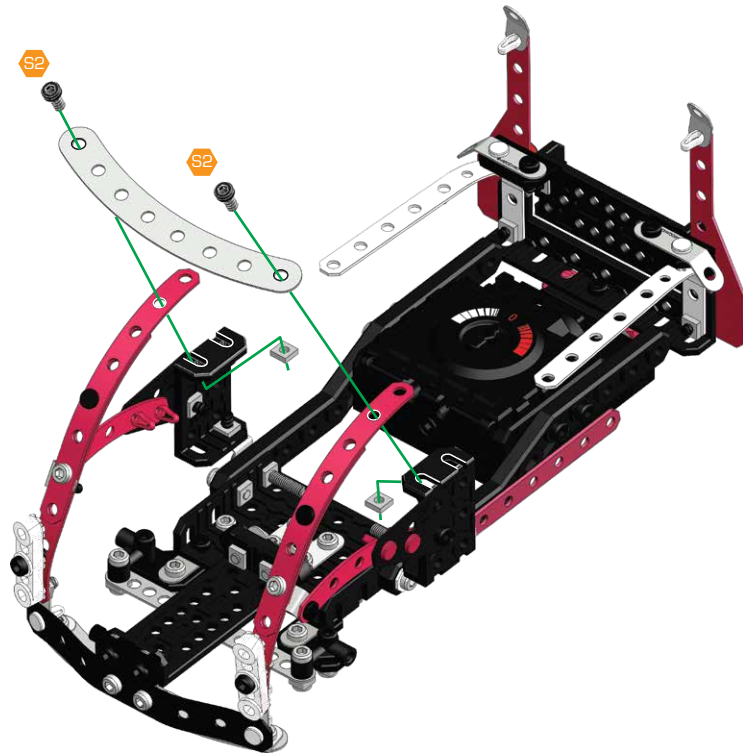
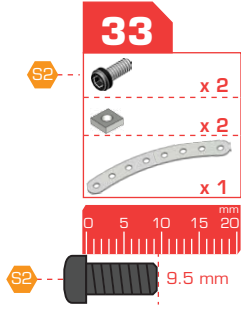
- S1 x 1
- S2 x 1
- x 2
- x 1

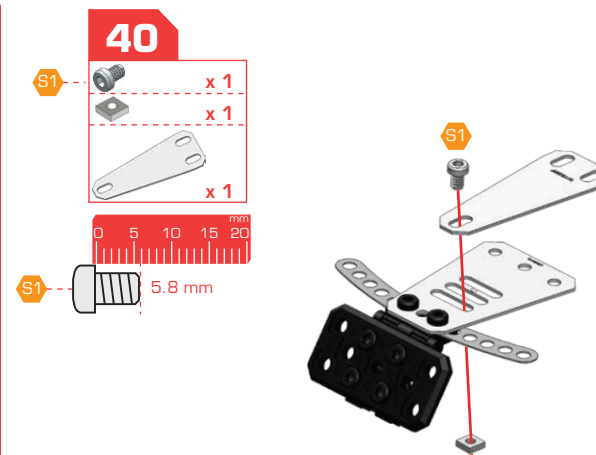
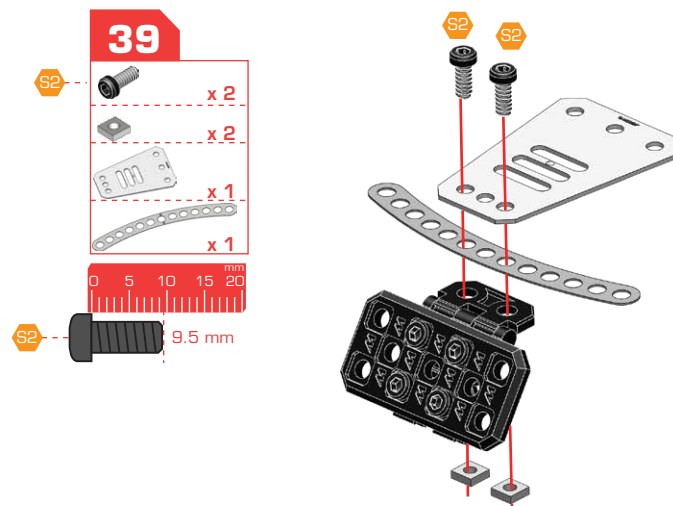
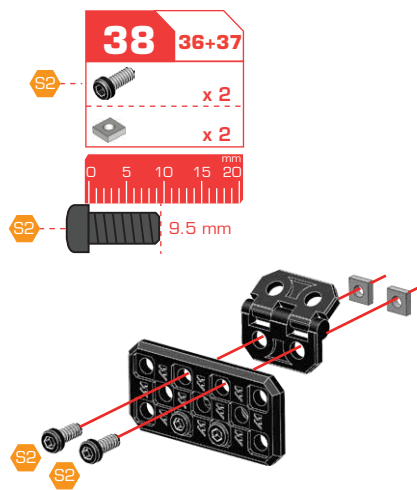
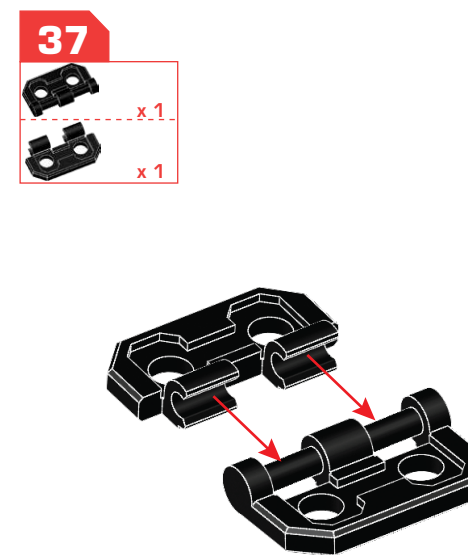
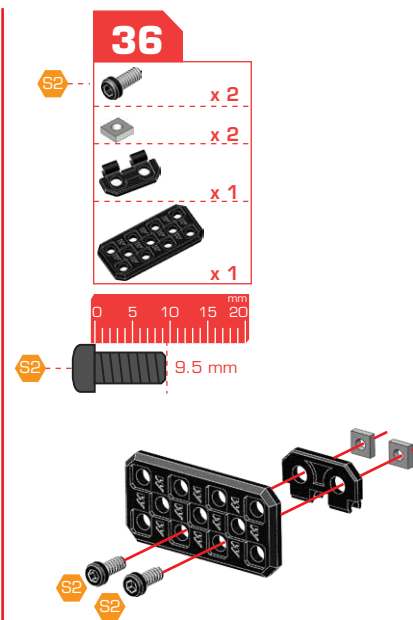
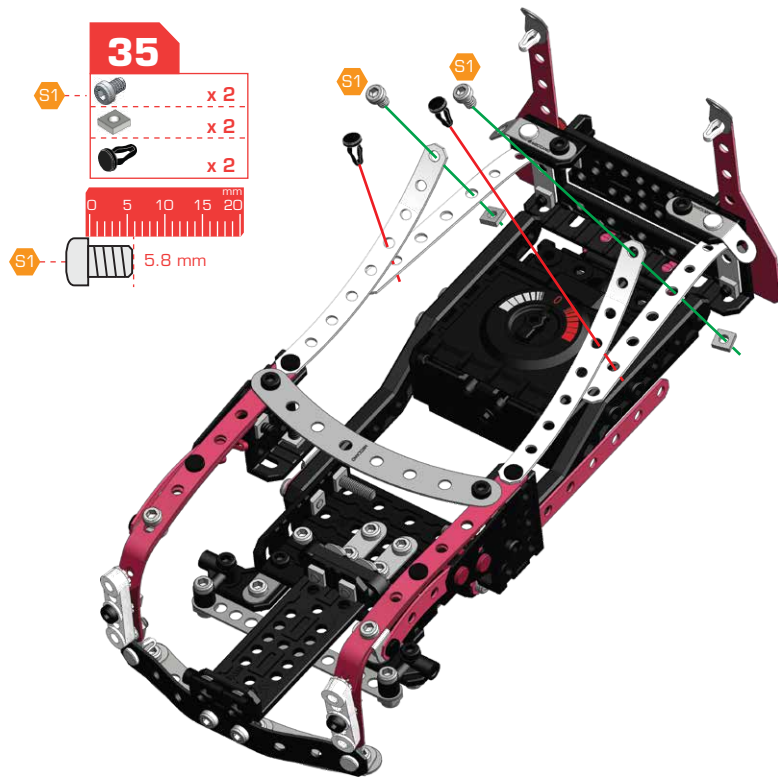
0 5 10 15 20 mm

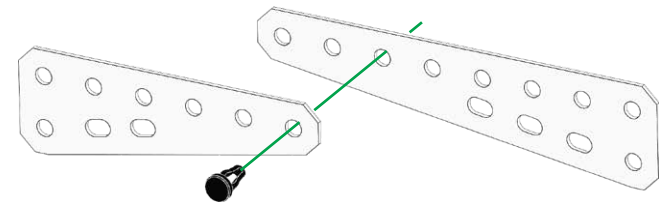
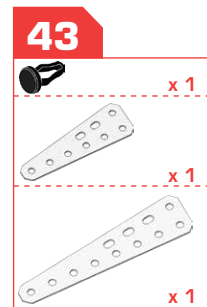
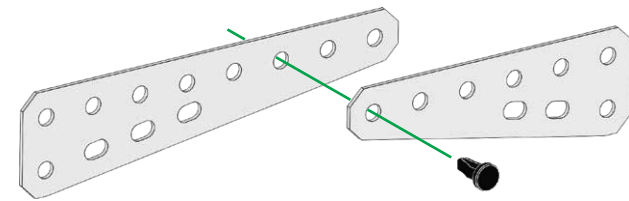
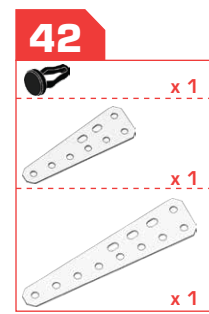
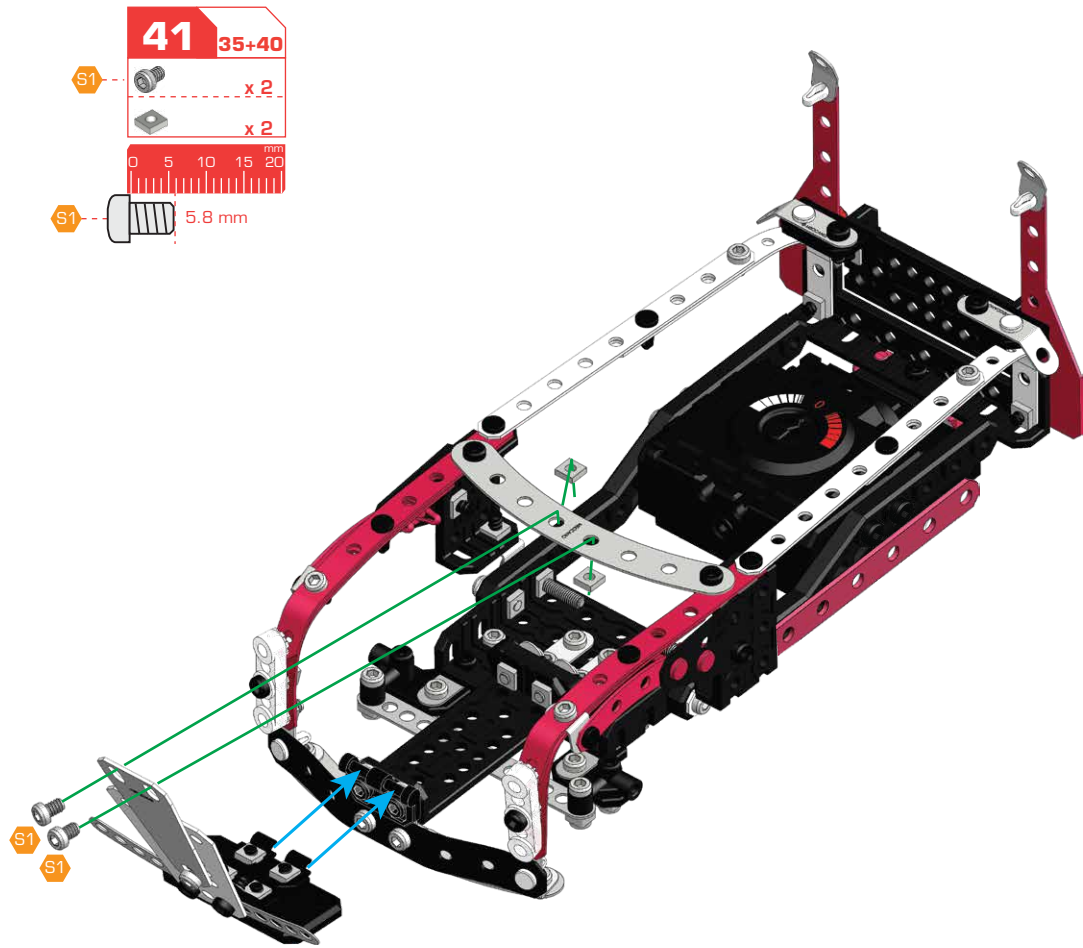
S1 5.8 mm

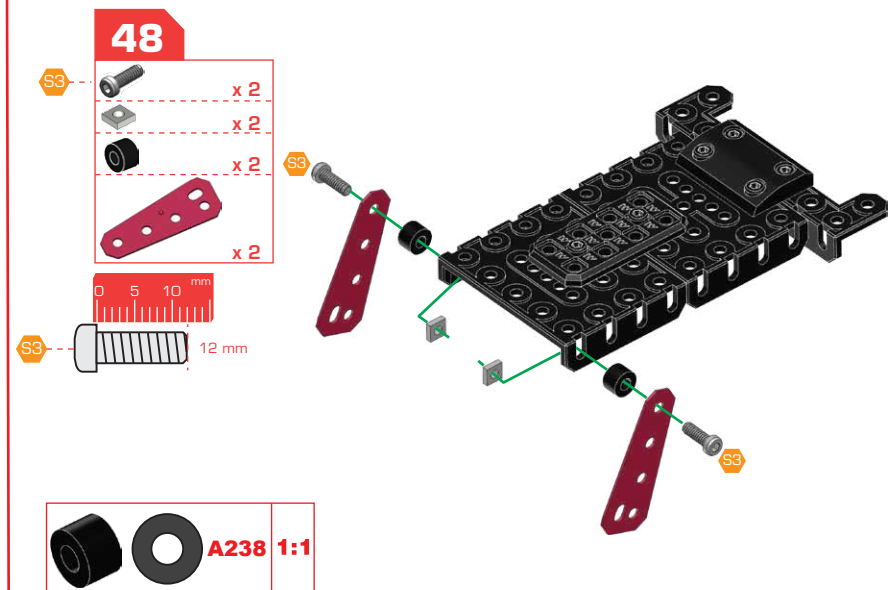
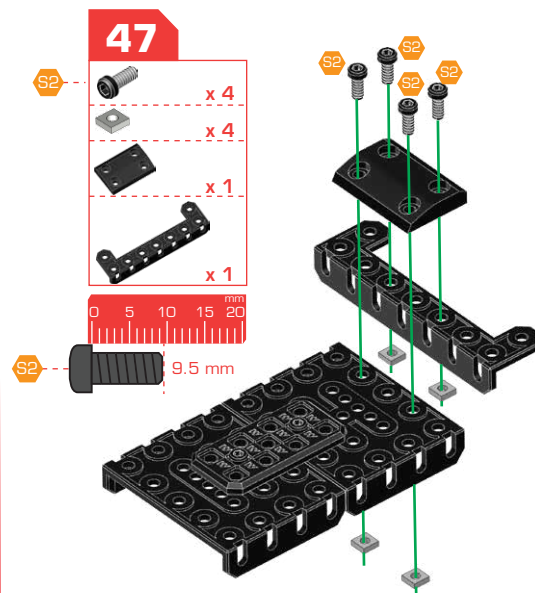
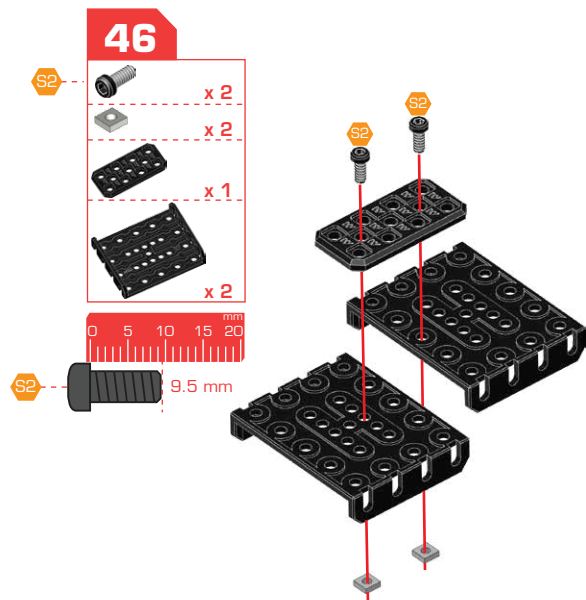
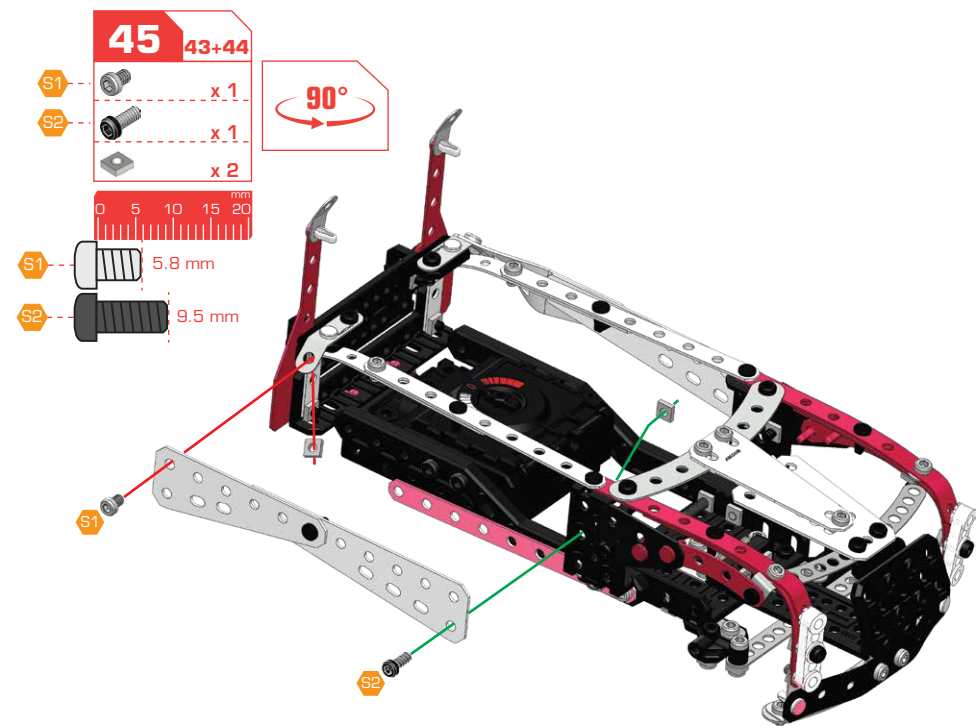
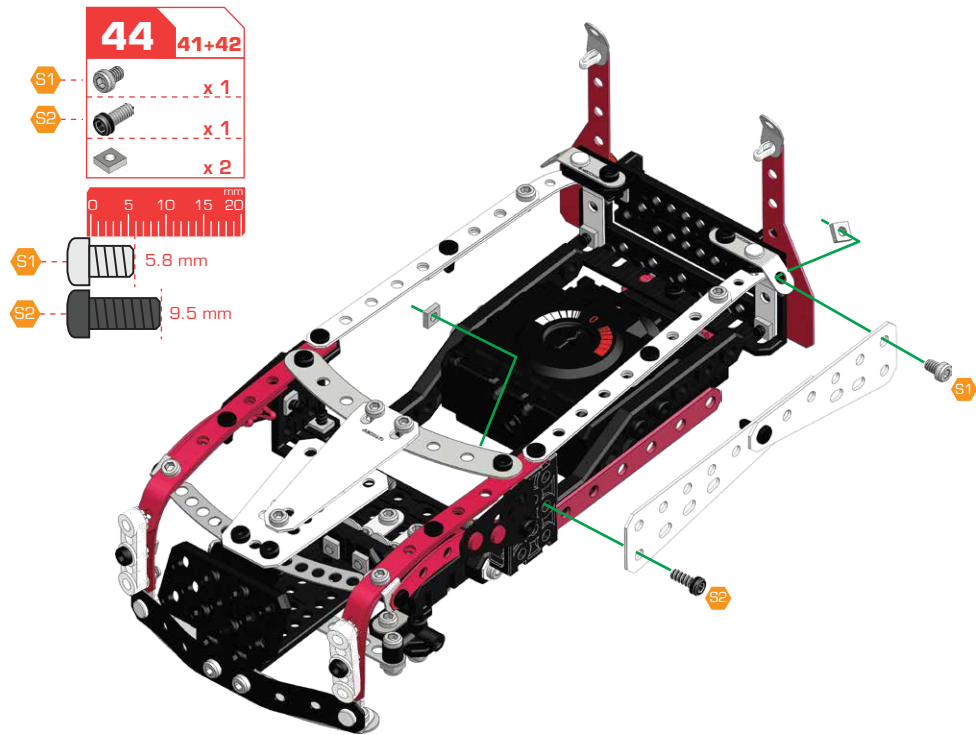
S2 9.5 mm











49 45+48

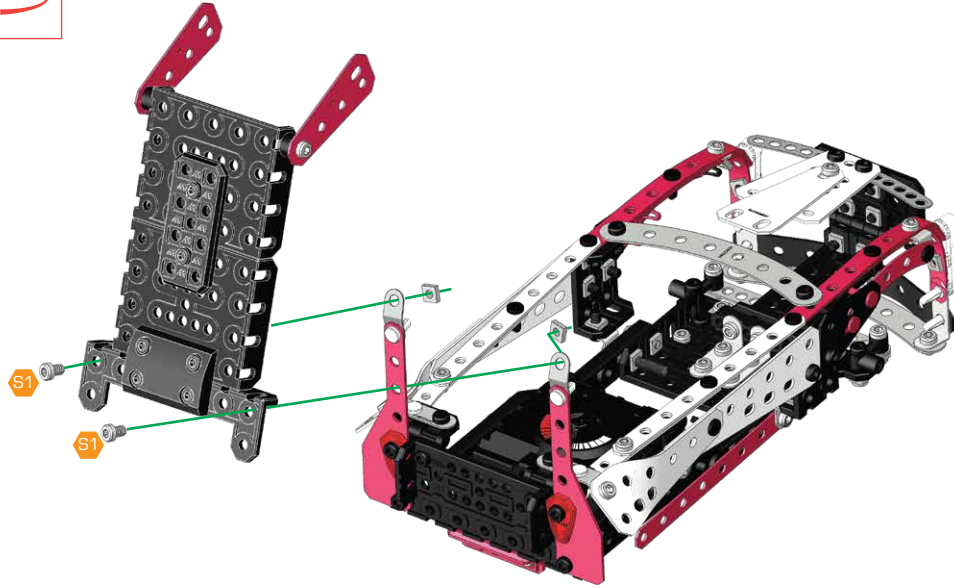
S1 x 2

x 2

90°

0 5 10 15 20 mm

S1 5.8 mm



50

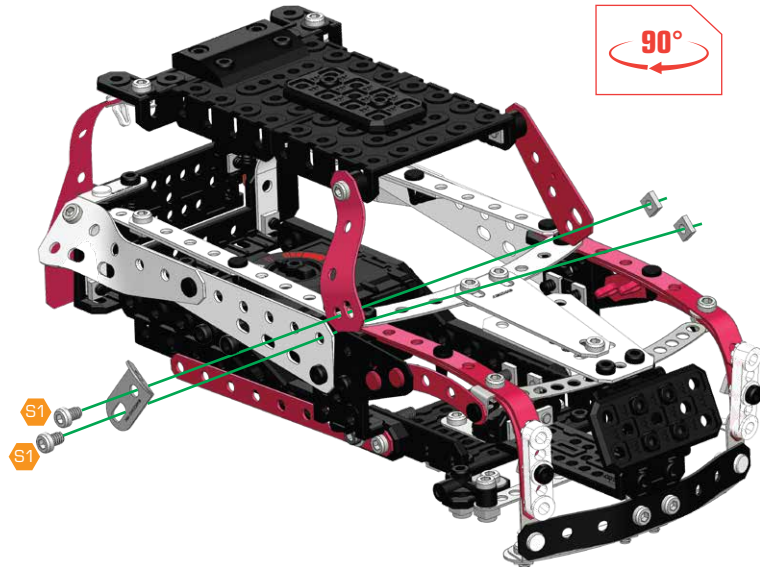
S1 x 2

x 2

x 1

0 5 10 15 20 mm

S1 5.8 mm



51

S1 x 2

x 2

x 1

0 5 10 15 20 mm

S1 5.8 mm

