




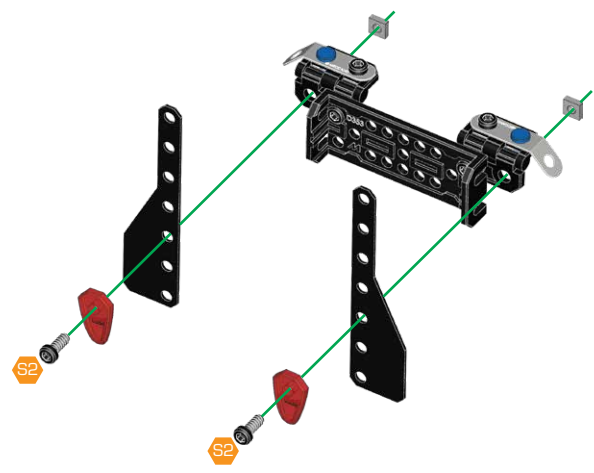


13





-  x 2
-  x 2
-  x 2
-  x 2

0 5 10 15 20 mm


 9.5 mm

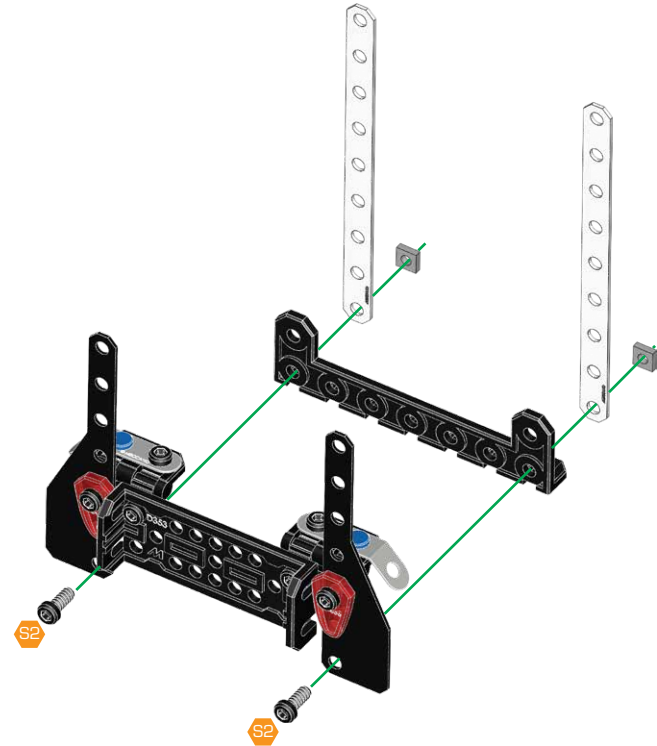


14



-  x 2
-  x 2
-  x 1
-  x 2

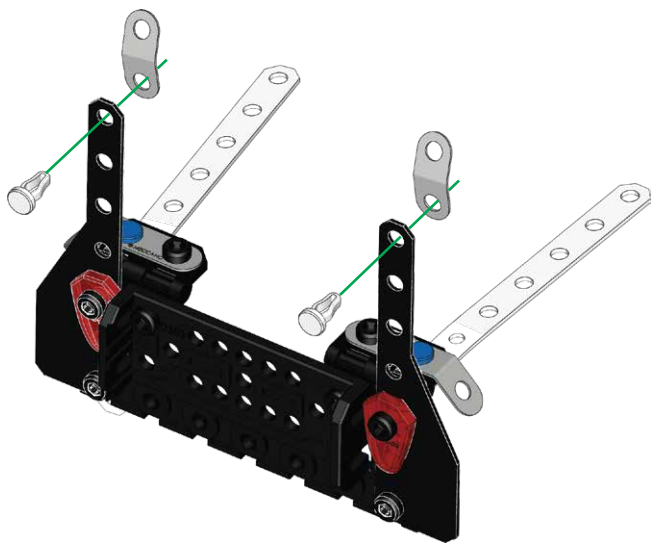
0 5 10 15 20 mm

 9.5 mm



15

-  x 2
-  x 2



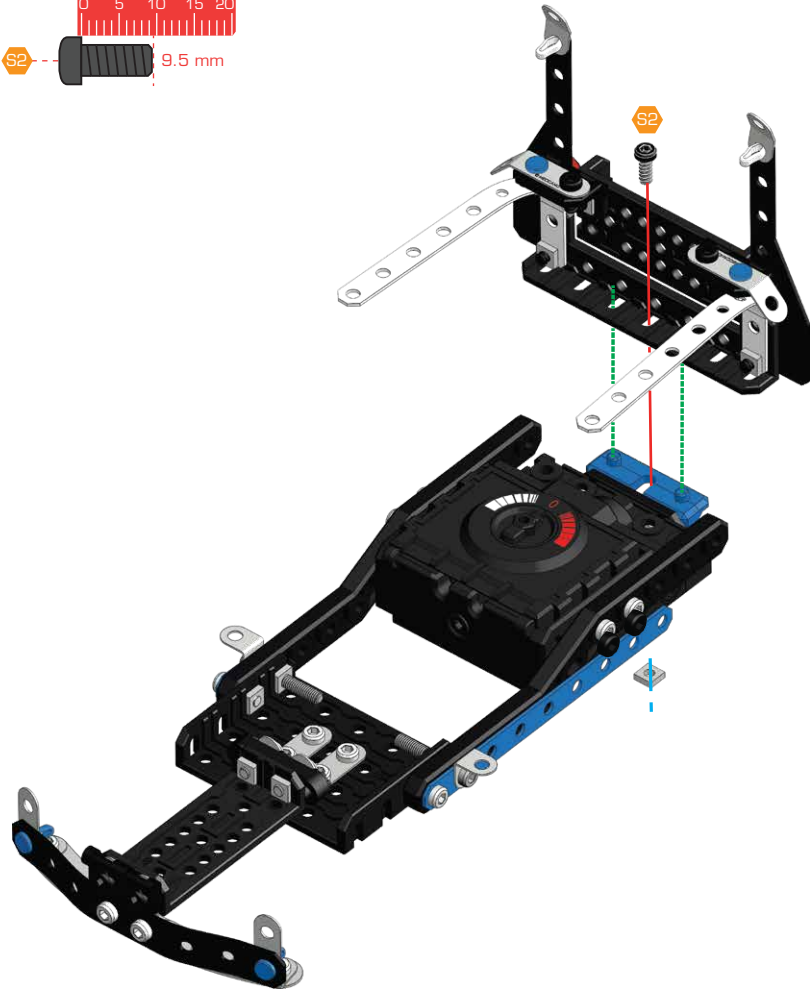
16 9+15

- S2 x 1
- x 1

180°

0 5 10 15 20 mm

S2 9.5 mm

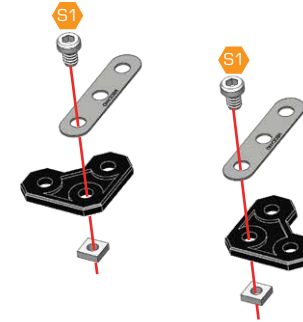


17

- S1 x 2
- x 2
- x 2
- x 2

0 5 10 15 20 mm

S1 5.8 mm

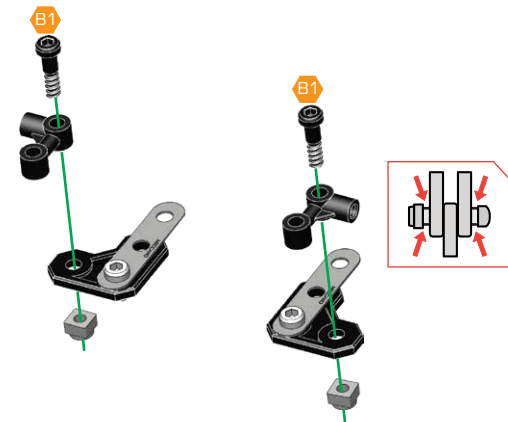


18 +17

- B1 x 2
- x 2
- x 2

0 5 10 15 20 mm

B1 14.7 mm

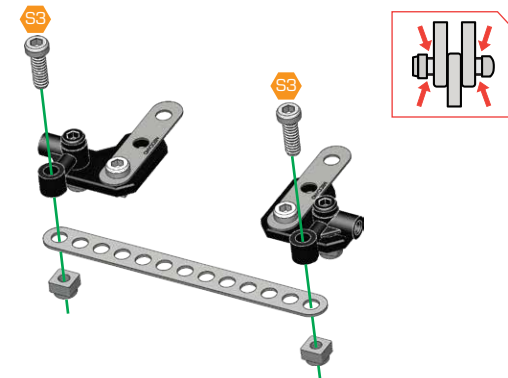


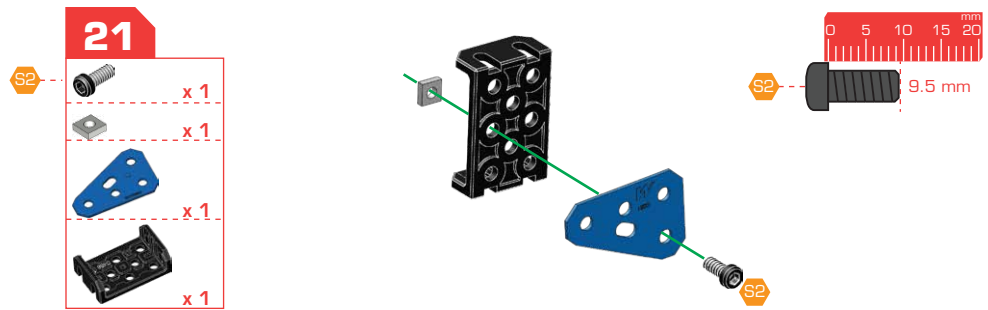
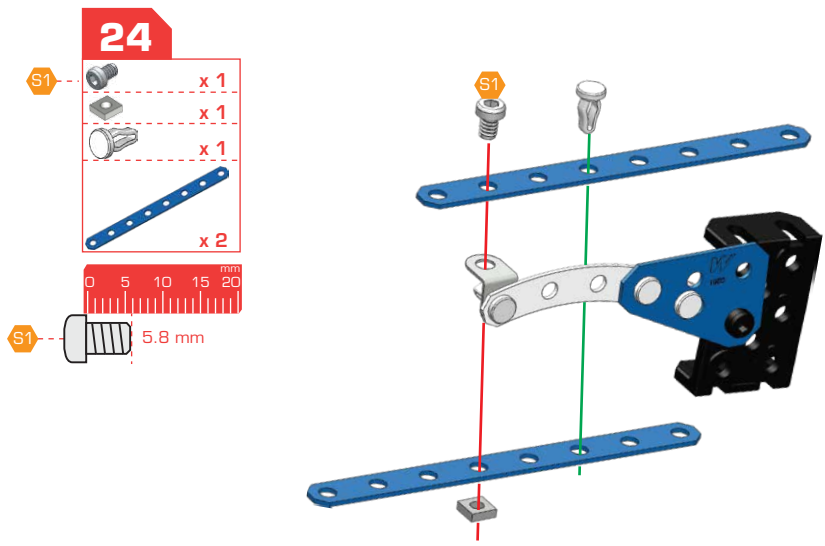
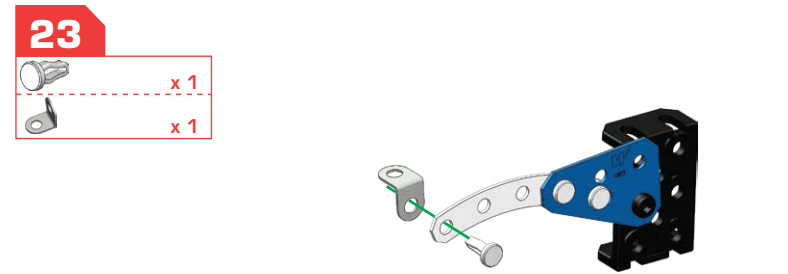
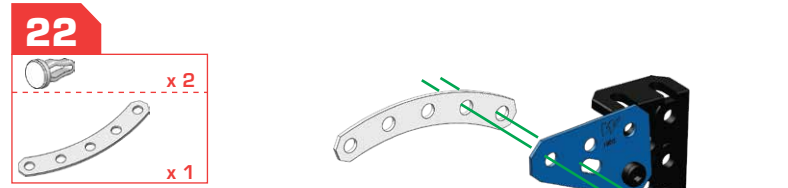
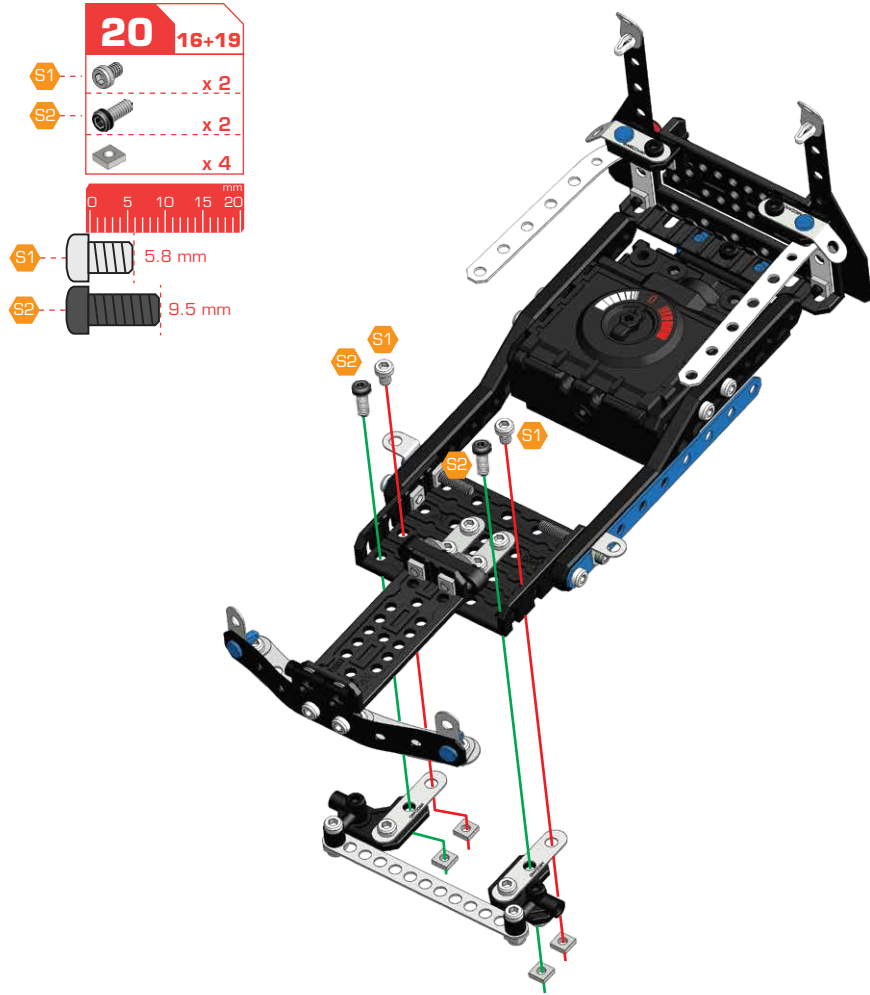
19

- S3 x 2
- x 2
- x 1

0 5 10 mm

S3 12 mm



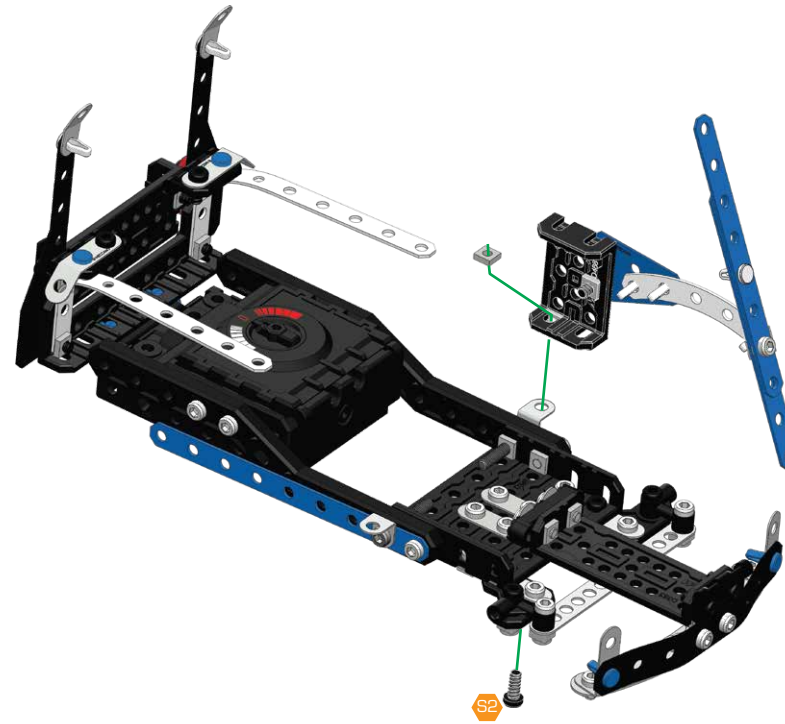


25 20+24

- S2 x 1
- x 1
- x 1

9.5 mm

90°



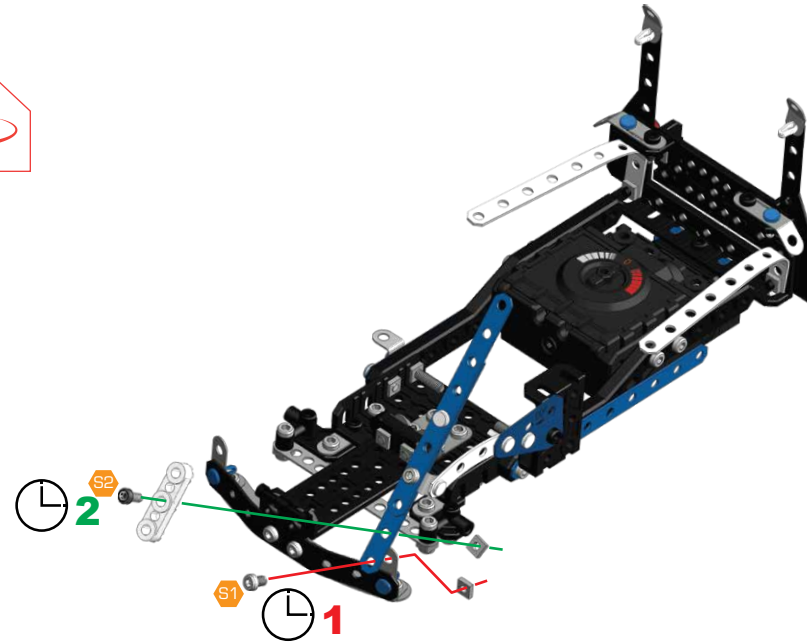
26

- S1 x 1
- S2 x 1
- x 2
- x 1

5.8 mm

9.5 mm

90°

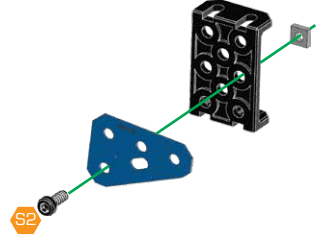


27

- S2 x 1
- x 1
- x 1
- x 1

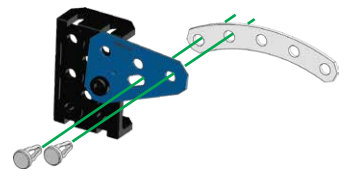
0 5 10 15 20 mm

S2 9.5 mm



28

- x 2
- x 1



29

- x 1
- x 1

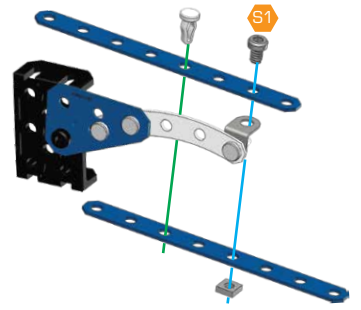


30

- S1 x 1
- x 1
- x 1
- x 2

0 5 10 15 20 mm

S1 5.8 mm

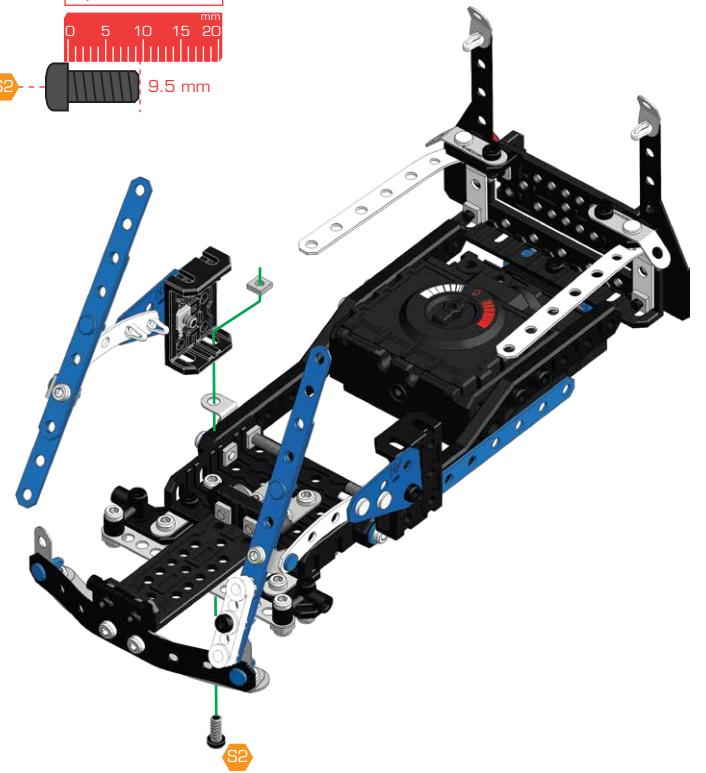


31 26+30

- S2 x 1
- x 1

0 5 10 15 20 mm

S2 9.5 mm



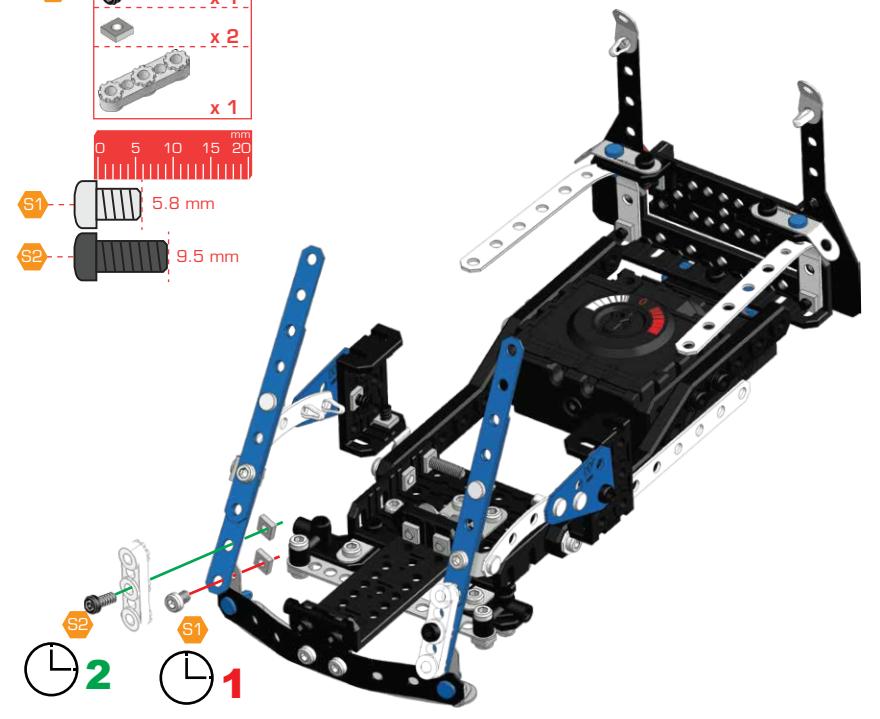
32

- S1 x 1
- S2 x 1
- x 2
- x 1





0 5 10 15 20 mm

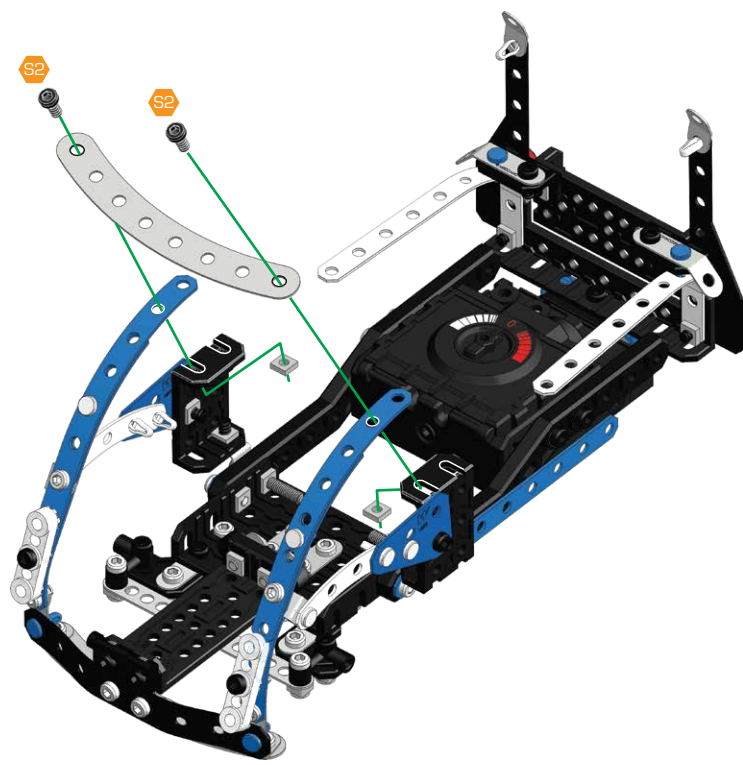
S1 5.8 mm

S2 9.5 mm


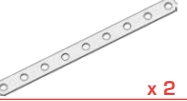


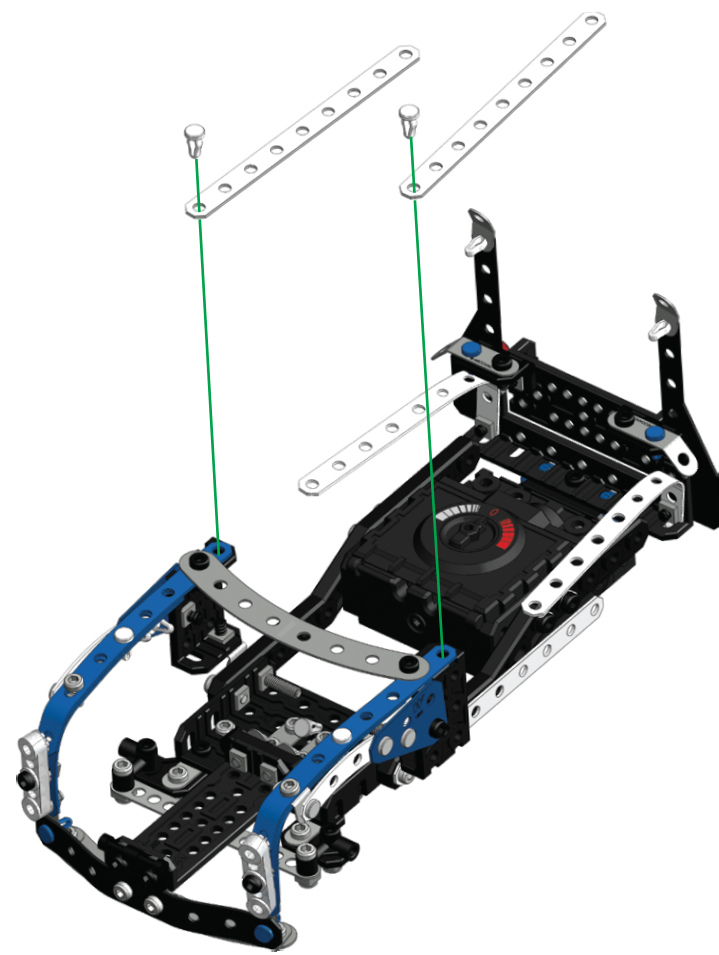
33

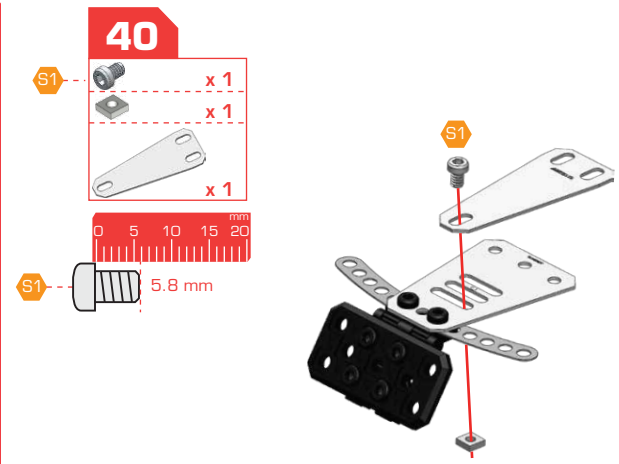
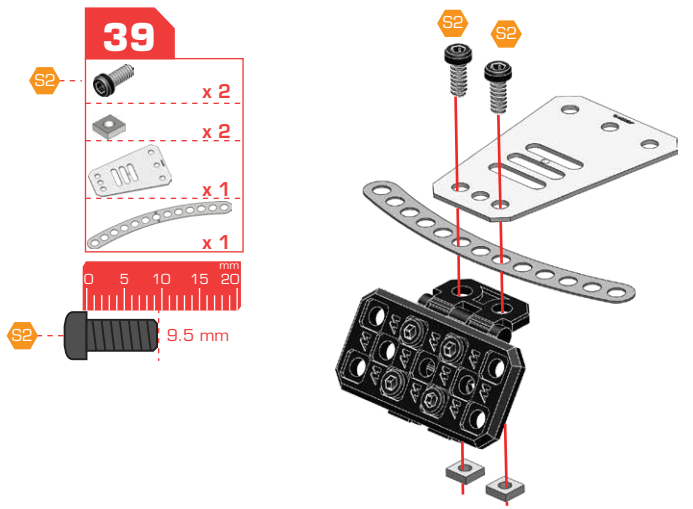
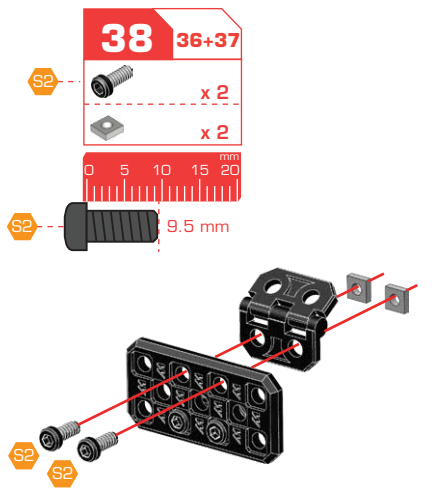
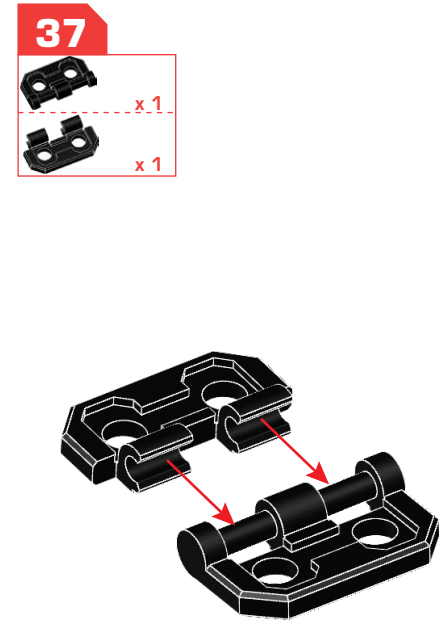
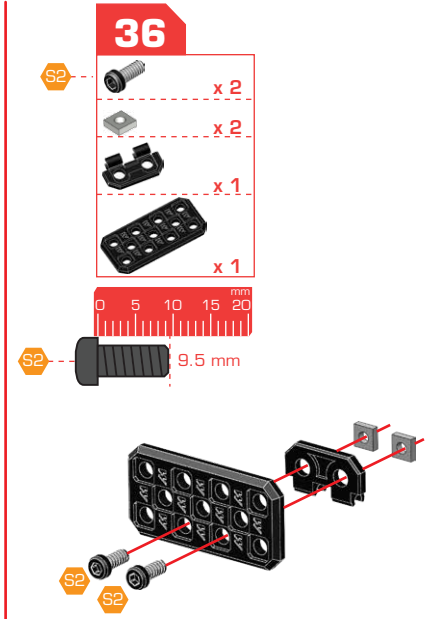
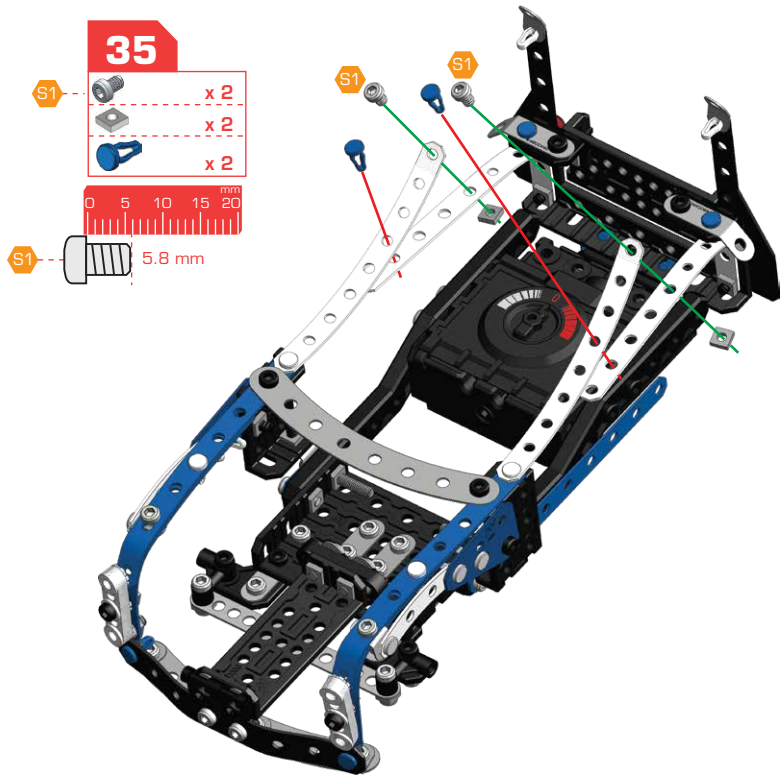
-  x 2
 -  x 2
 -  x 1
- 0 5 10 15 20 mm
-  9.5 mm

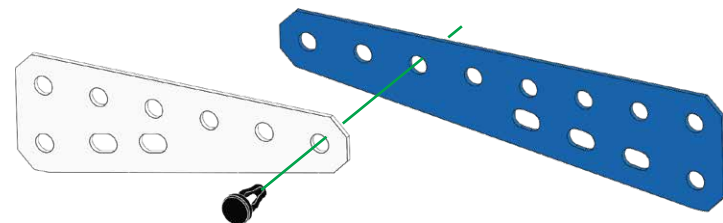
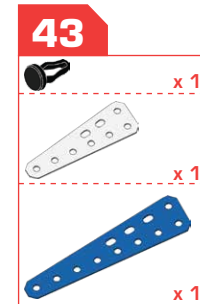
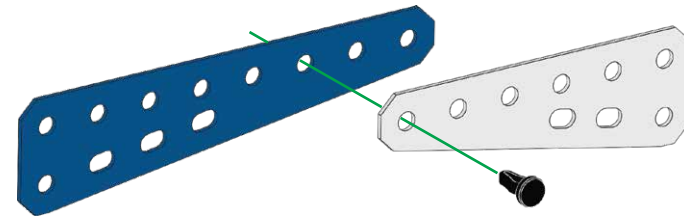
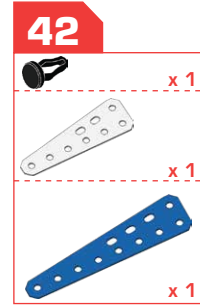
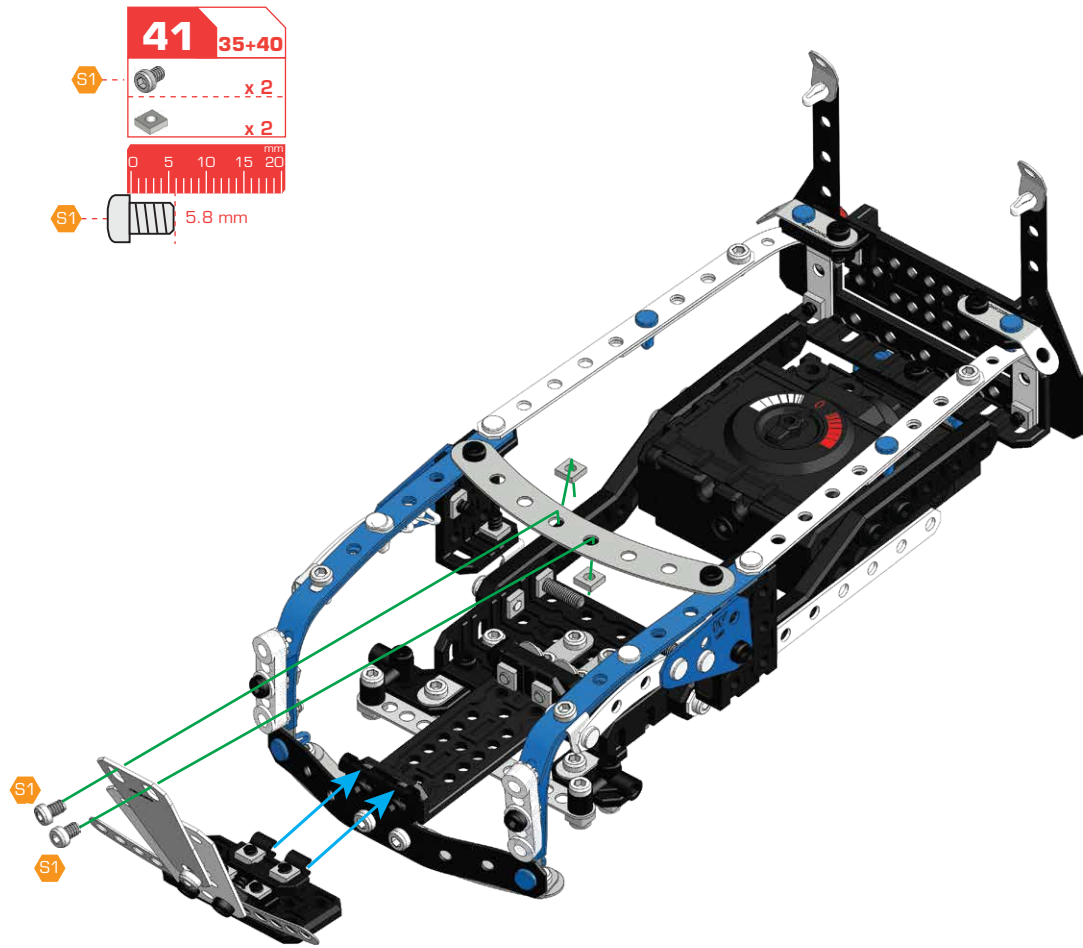


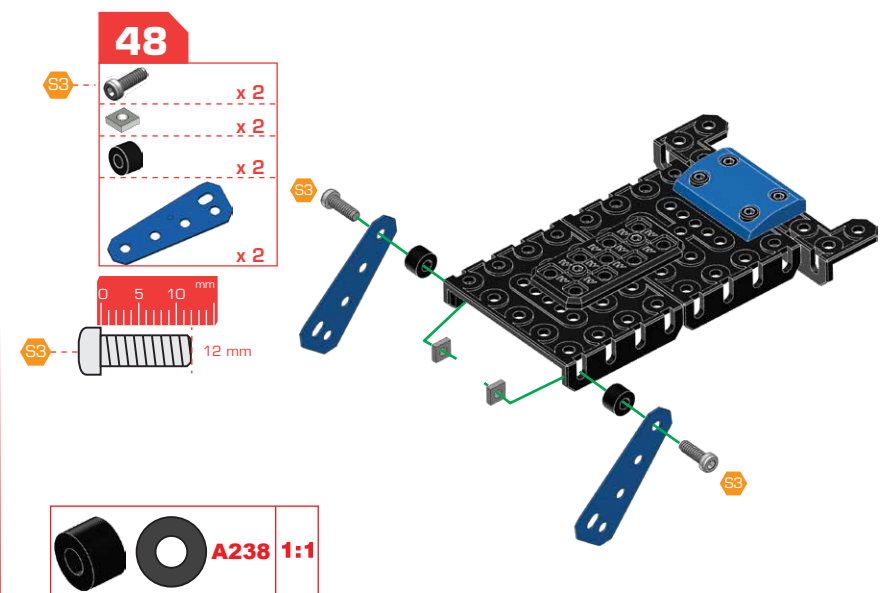
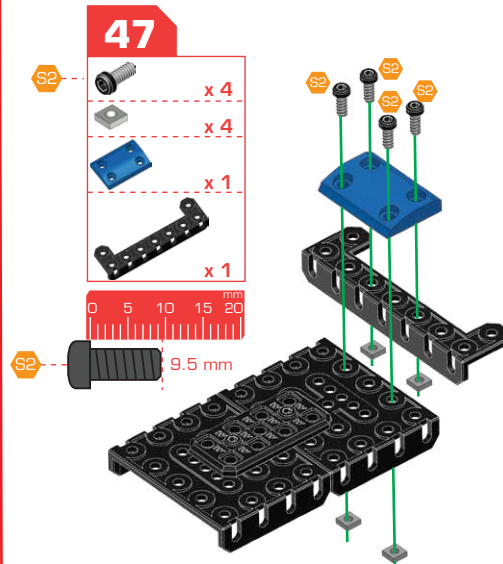
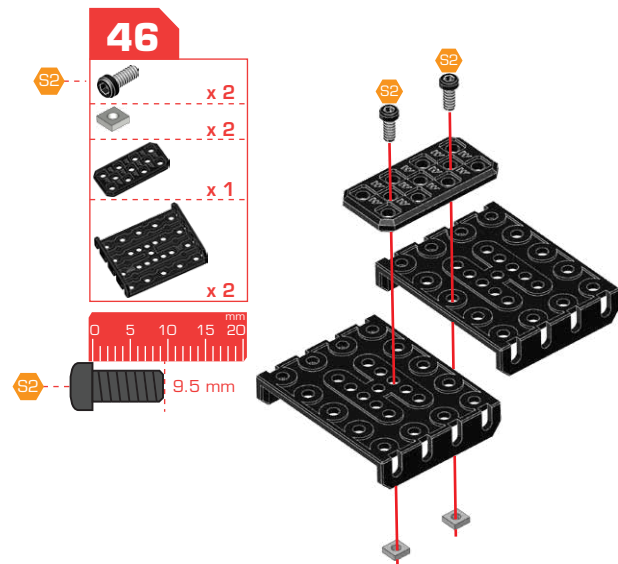
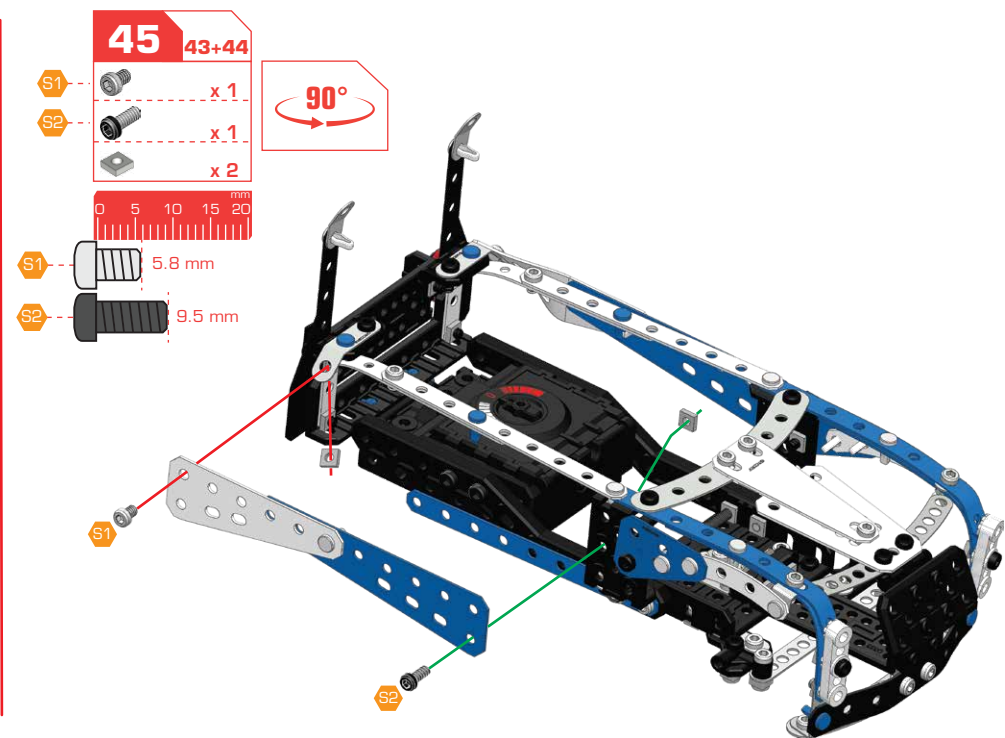
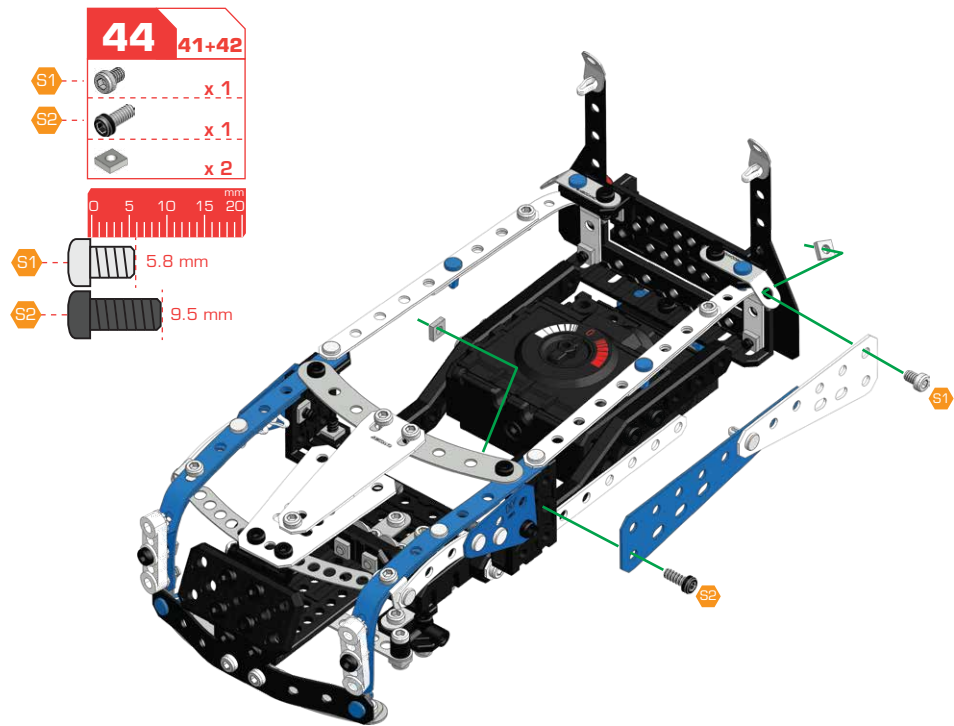
34

-  x 2
-  x 2







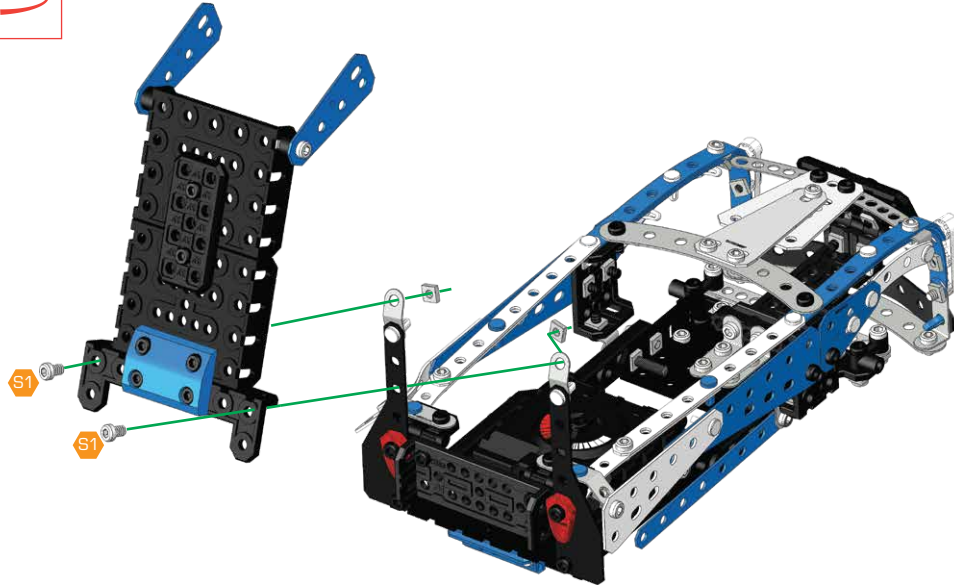


49 45+48

- x 2
- x 2

90°

5.8 mm

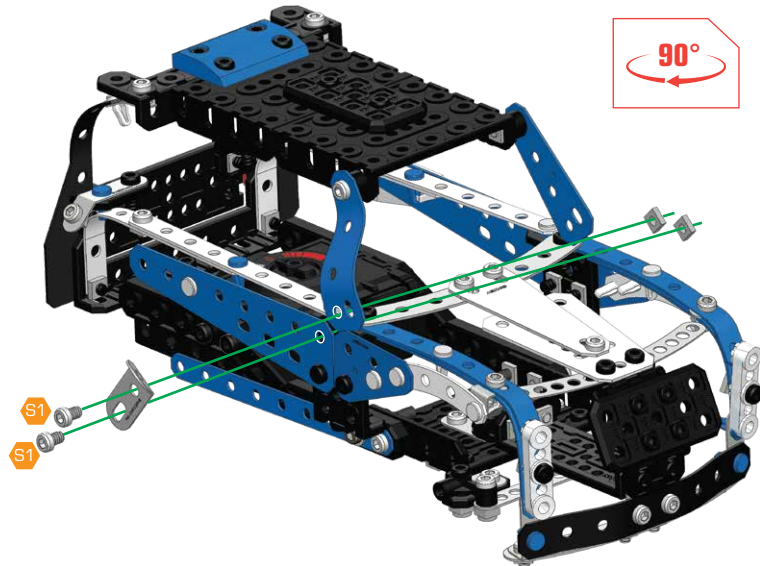


50

- x 2
- x 2
- x 1

90°

5.8 mm



51

- x 2
- x 2
- x 1

90°

5.8 mm

