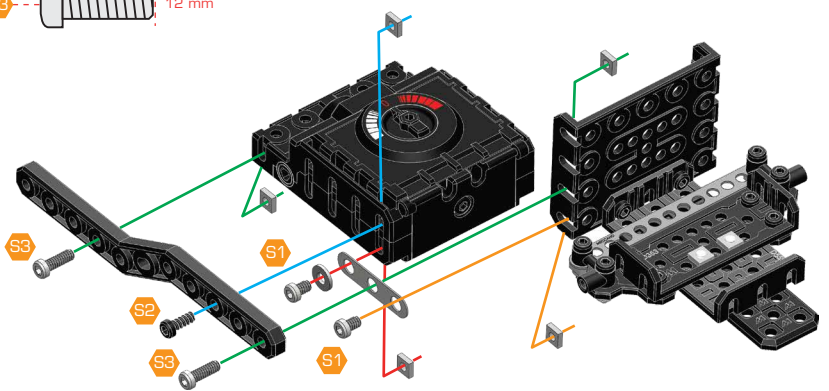


# 6

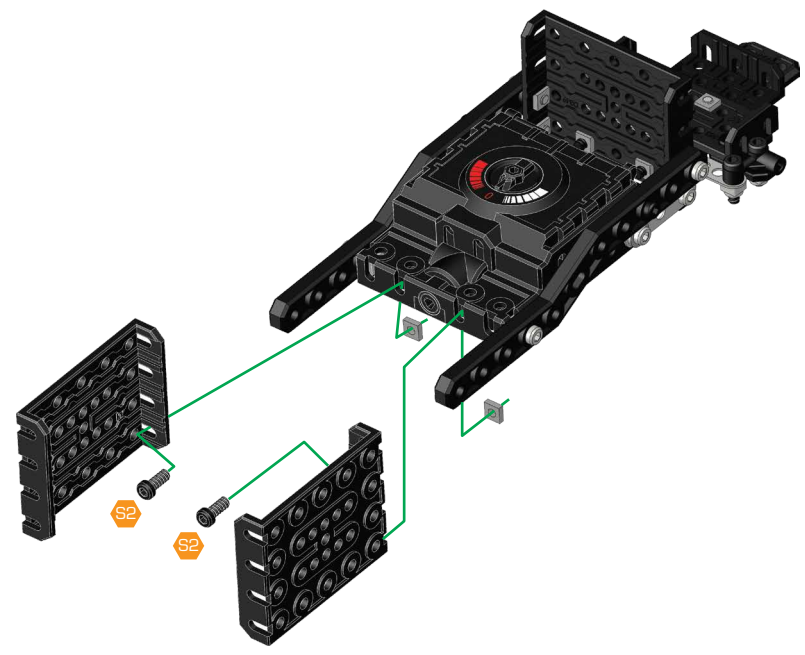
- S1 x 2
- S2 x 1
- S3 x 2
- x 1
- x 5
- x 1
- x 1

- S1 5.8 mm
- S2 9.5 mm
- S3 12 mm



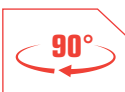
# 8

- S2 x 2
- x 2
- x 2
- S2 9.5 mm

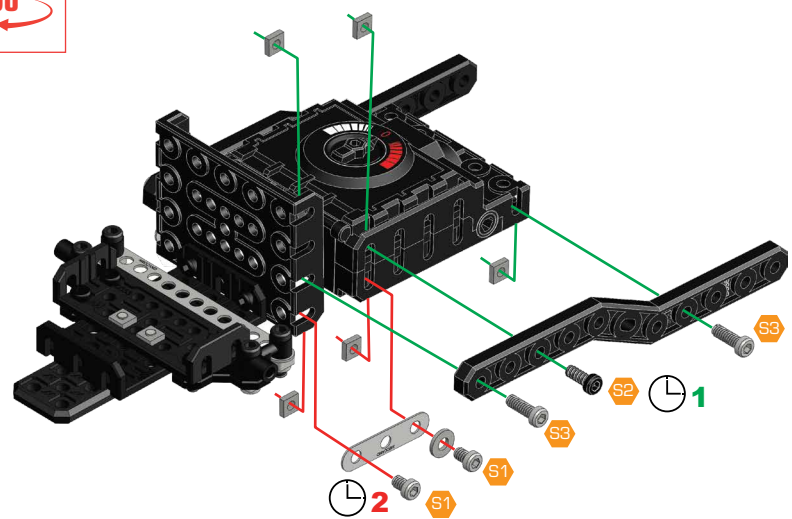


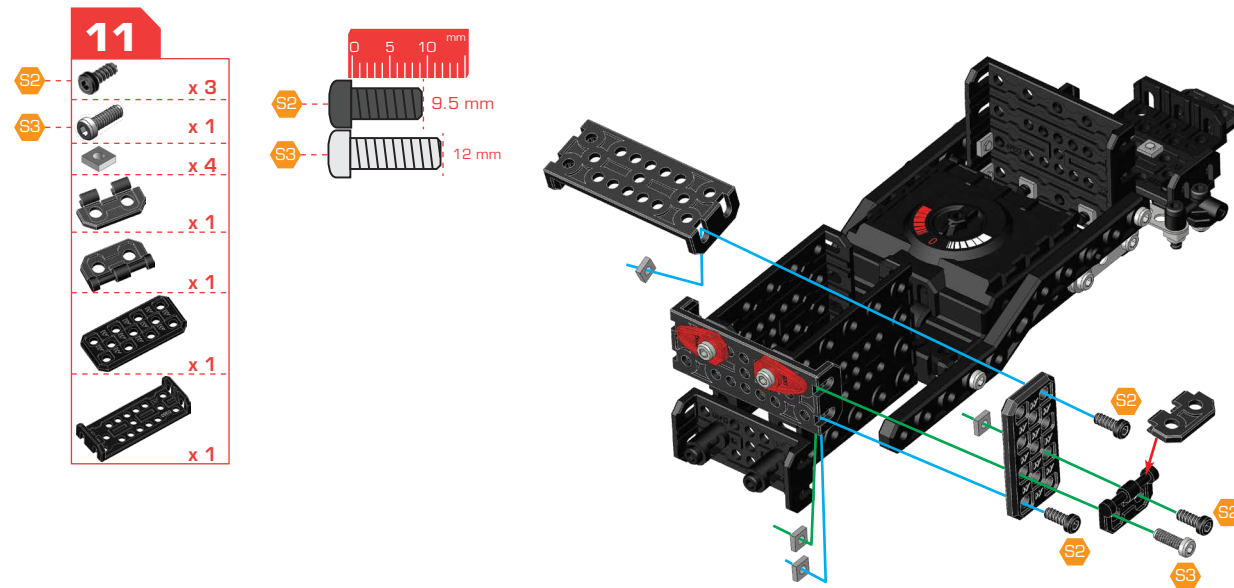
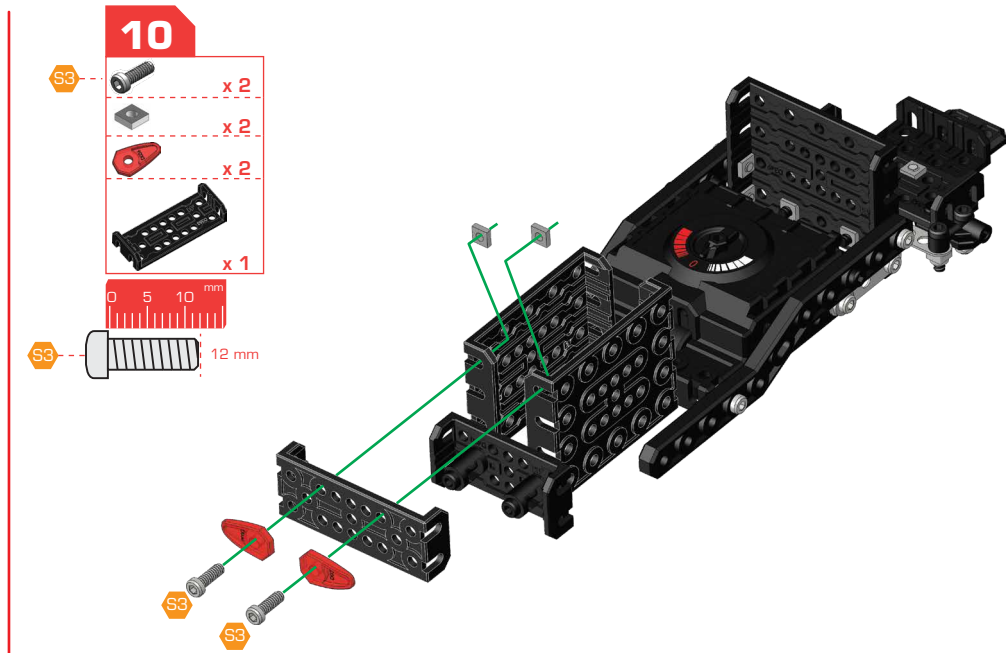
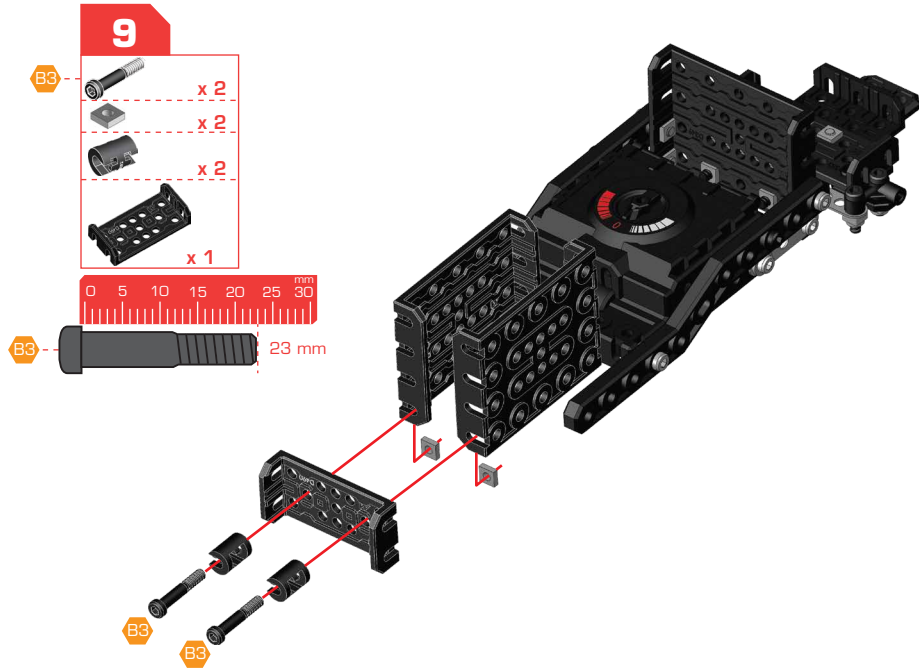
# 7

- S1 x 2
- S2 x 1
- S3 x 2
- x 1
- x 5
- x 1
- x 1



- S1 5.8 mm
- S2 9.5 mm
- S3 12 mm





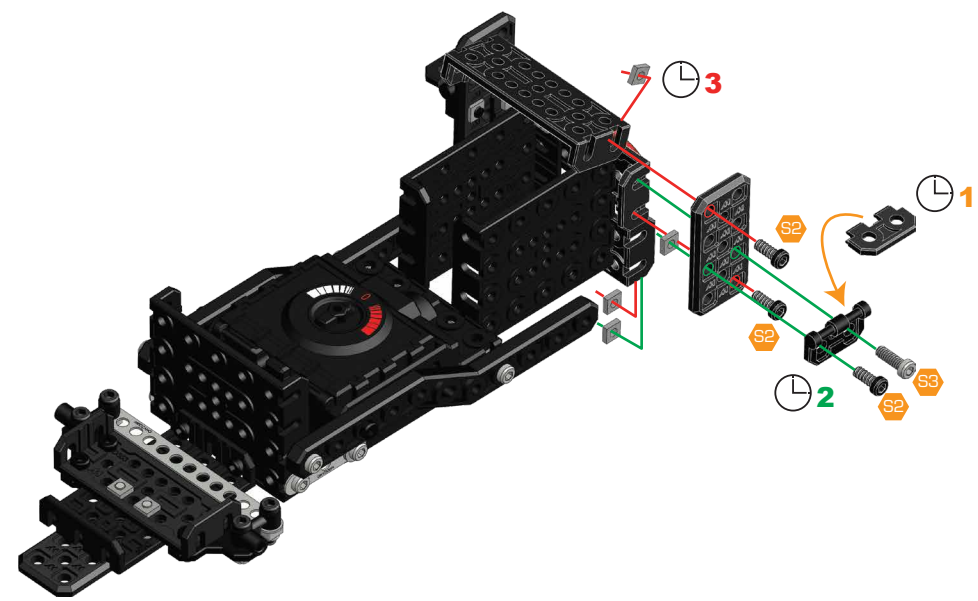
**12**

- S2 x 3
- S3 x 1
- x 4
- x 1
- x 1
- x 1

0 5 10 mm

- S2 9.5 mm
- S3 12 mm

180°

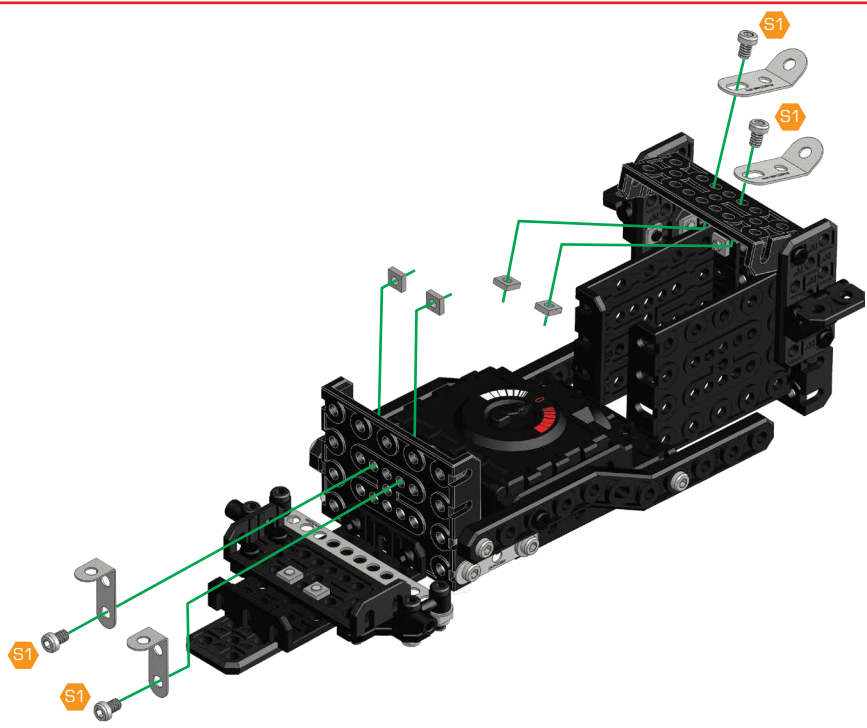


**13**


- S1 x 4
- x 4
- x 2
- x 2

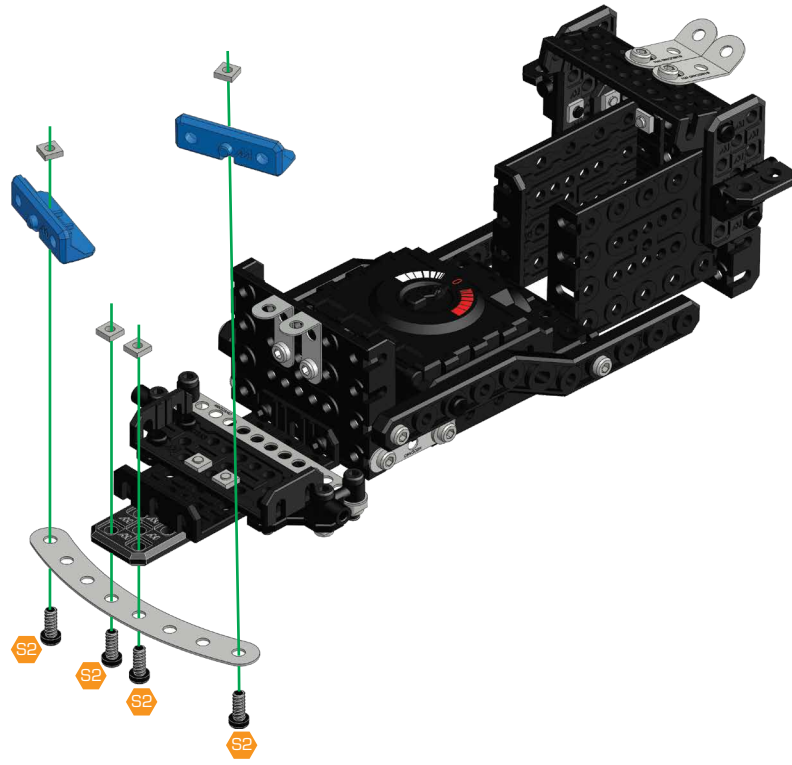
0 5 10 mm

- S1 5.8 mm




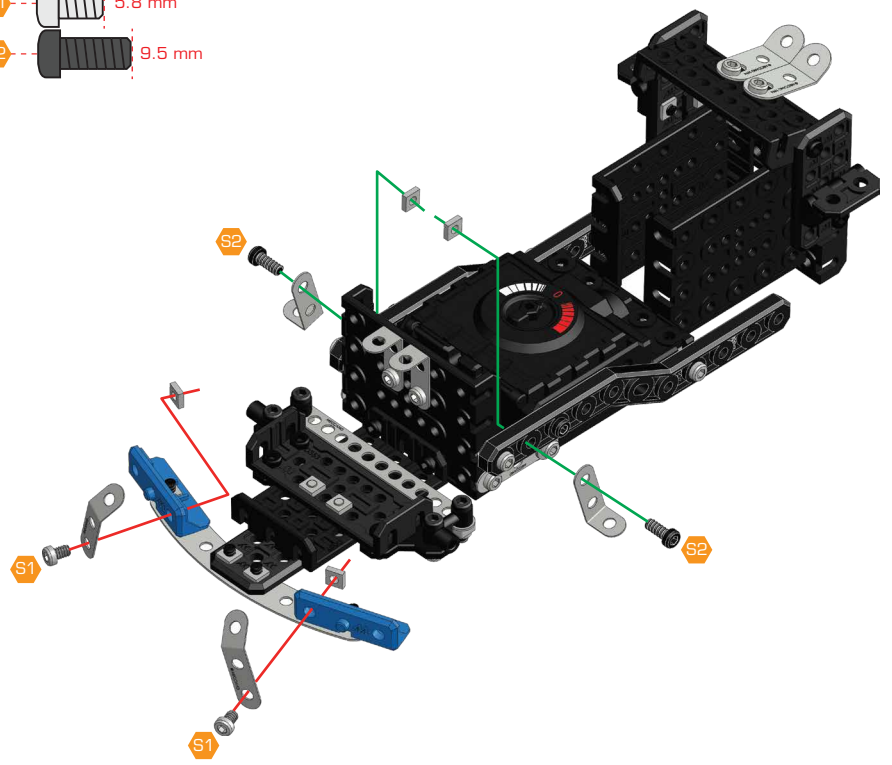
# 14

- S2 x 4
  - x 4
  - x 2
  - x 1
- 
- S2 9.5 mm



# 15

- S1 x 2
  - S2 x 2
  - x 4
  - x 2
  - x 2
- 
- S1 5.8 mm
- S2 9.5 mm

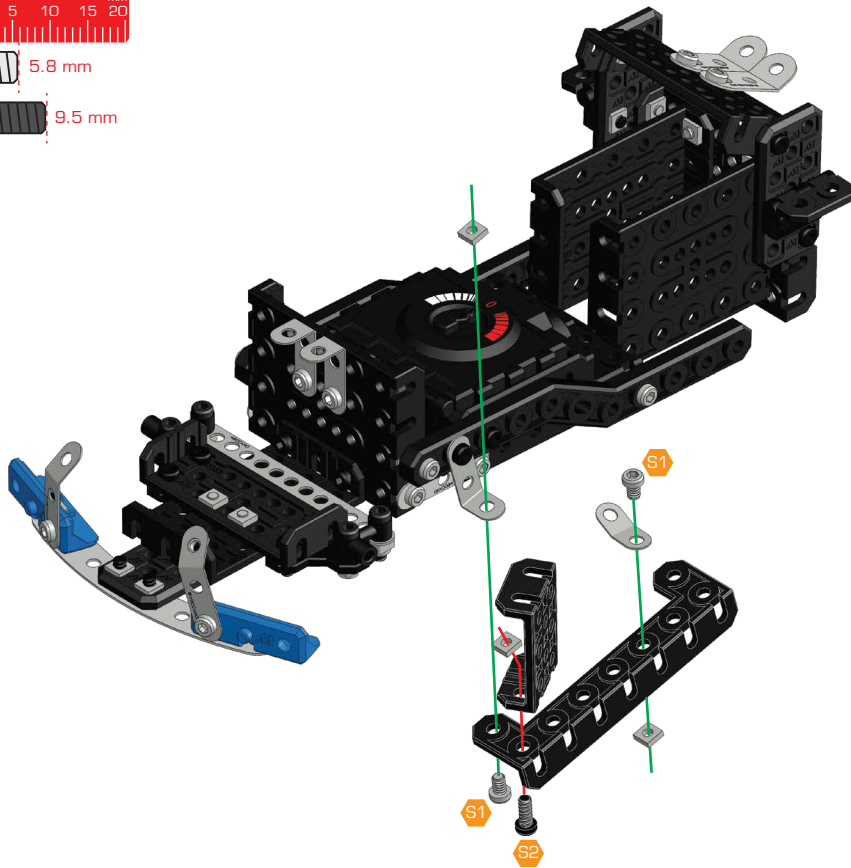


# 16

- S1 x 2
- S2 x 1
- x 3
- x 1
- x 1
- x 1



- S1 5.8 mm
- S2 9.5 mm

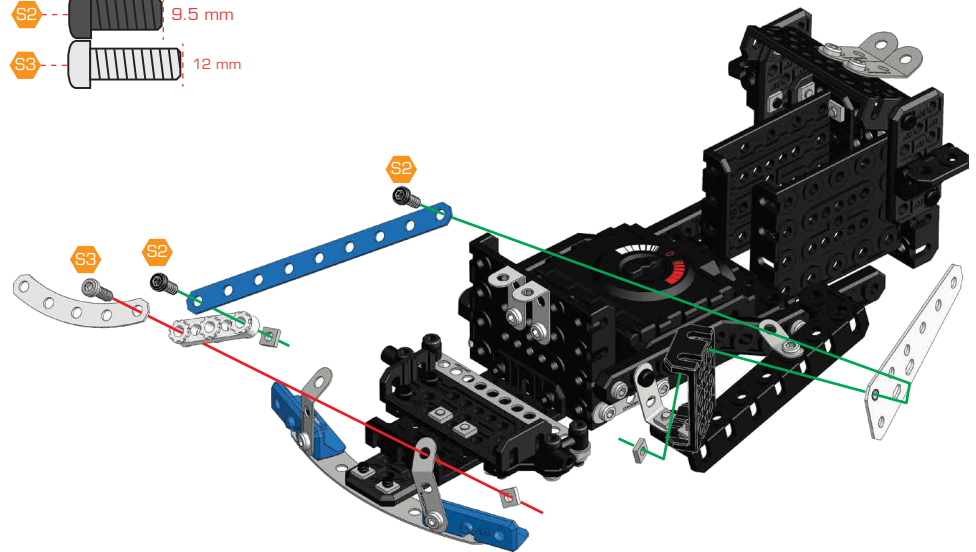


# 17

- S2 x 2
- S3 x 1
- x 3
- x 1
- x 1
- x 1
- x 1

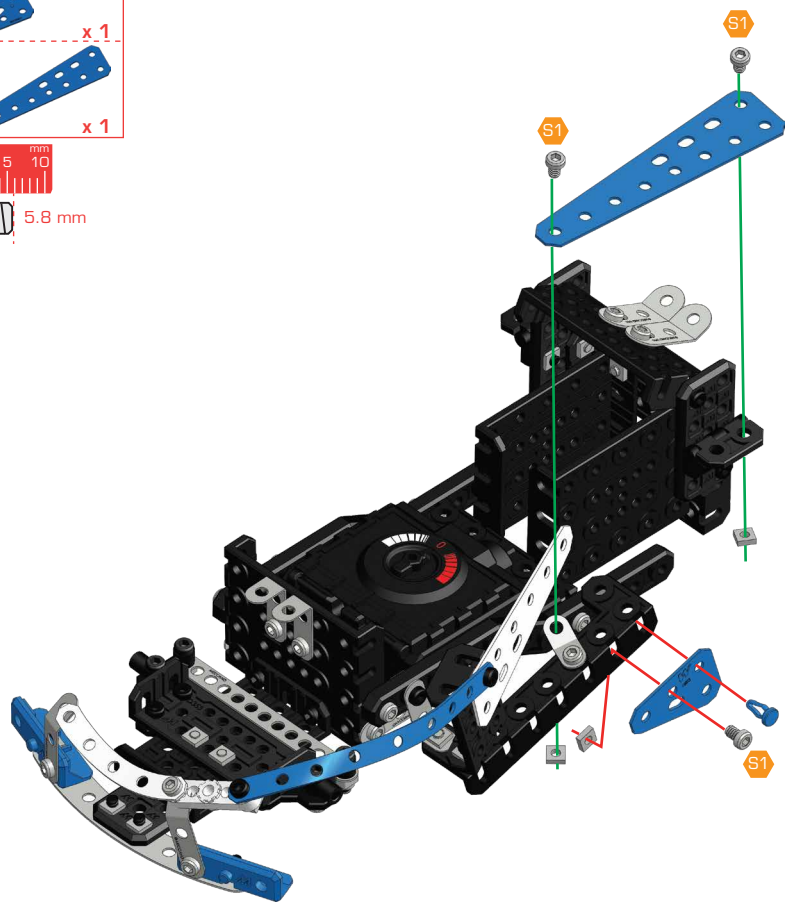


- S2 9.5 mm
- S3 12 mm



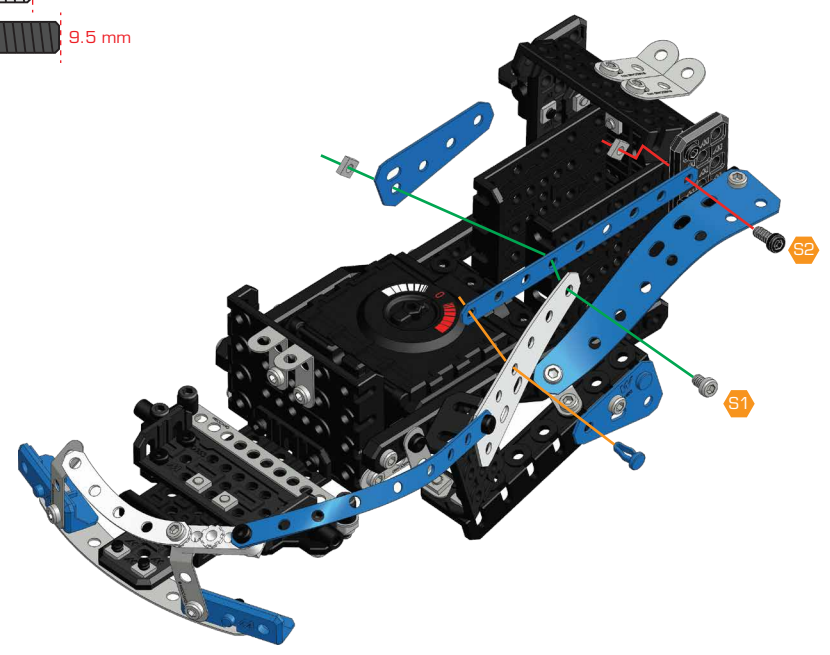
# 18

- S1 - x 3
  - x 1
  - x 3
  - x 1
  - x 1
- 0 5 10 mm
- S1 - 5.8 mm



# 19

- S1 - x 1
  - S2 - x 1
  - x 2
  - x 1
  - x 1
  - x 1
- 0 5 10 15 20 mm
- S1 - 5.8 mm
- S2 - 9.5 mm

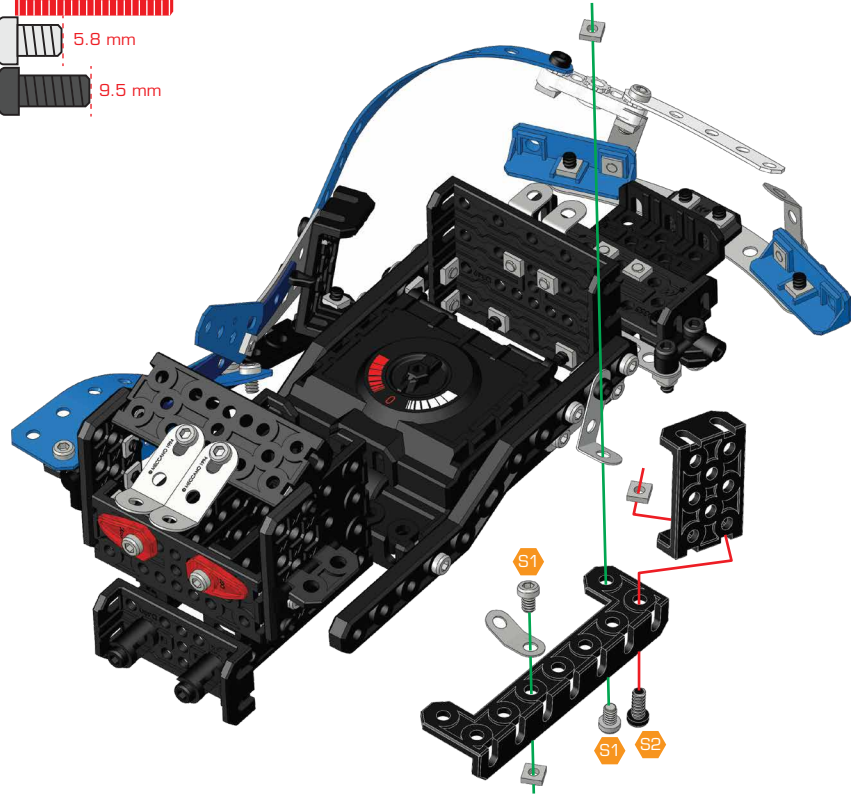


# 20

- S1 x 2
- S2 x 1
- x 3
- x 1
- x 1
- x 1



- S1 5.8 mm
- S2 9.5 mm

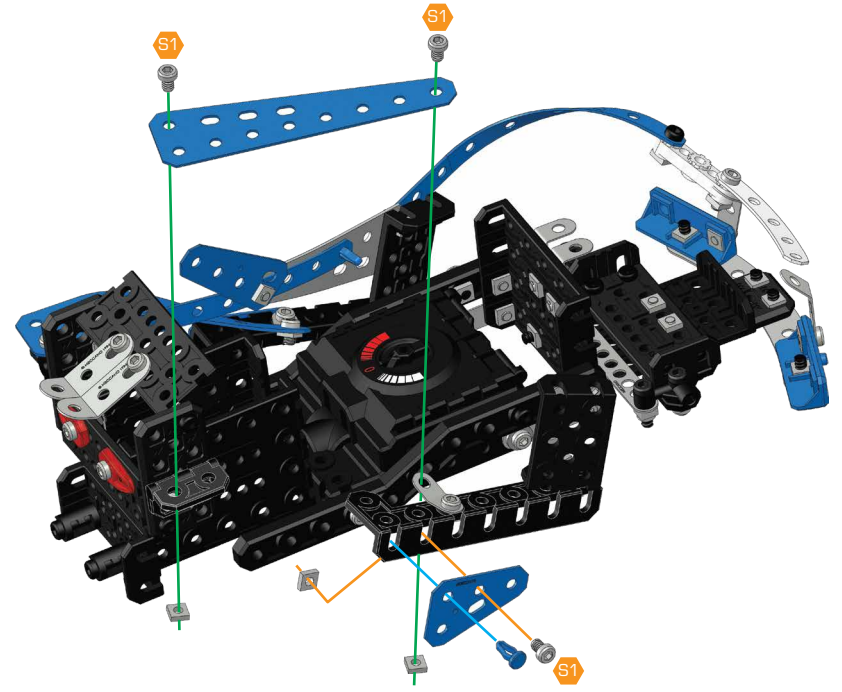


# 21

- S1 x 3
- x 1
- x 3
- x 1
- x 1



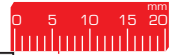
- S1 5.8 mm



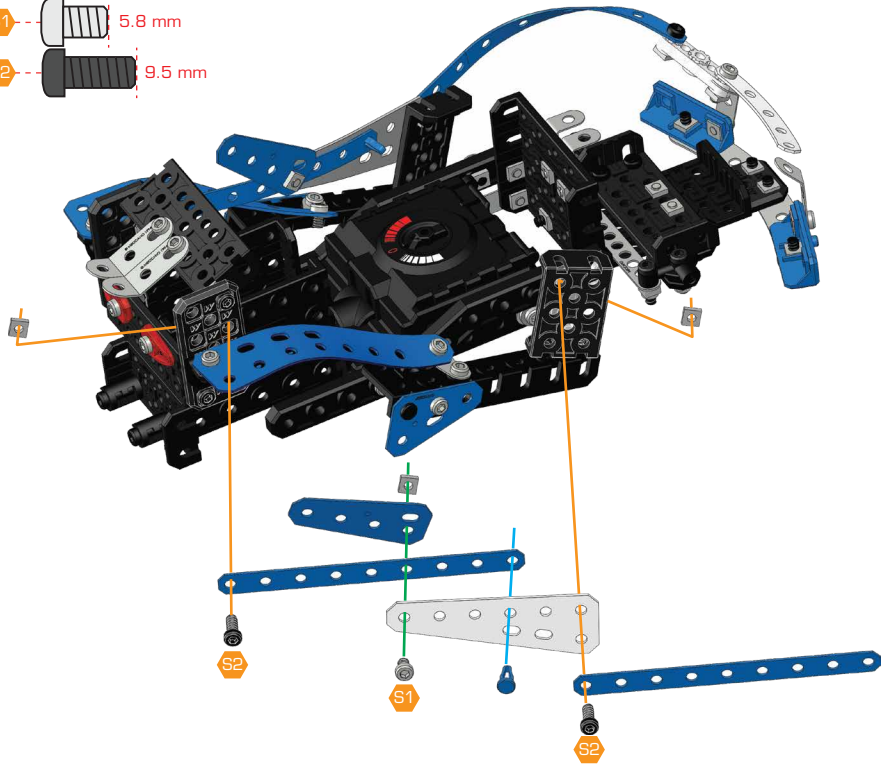


## 22

- S1 x 1
- S2 x 2
- x 3
- x 1
- x 1
- x 1
- x 2

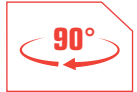


- S1 5.8 mm
- S2 9.5 mm

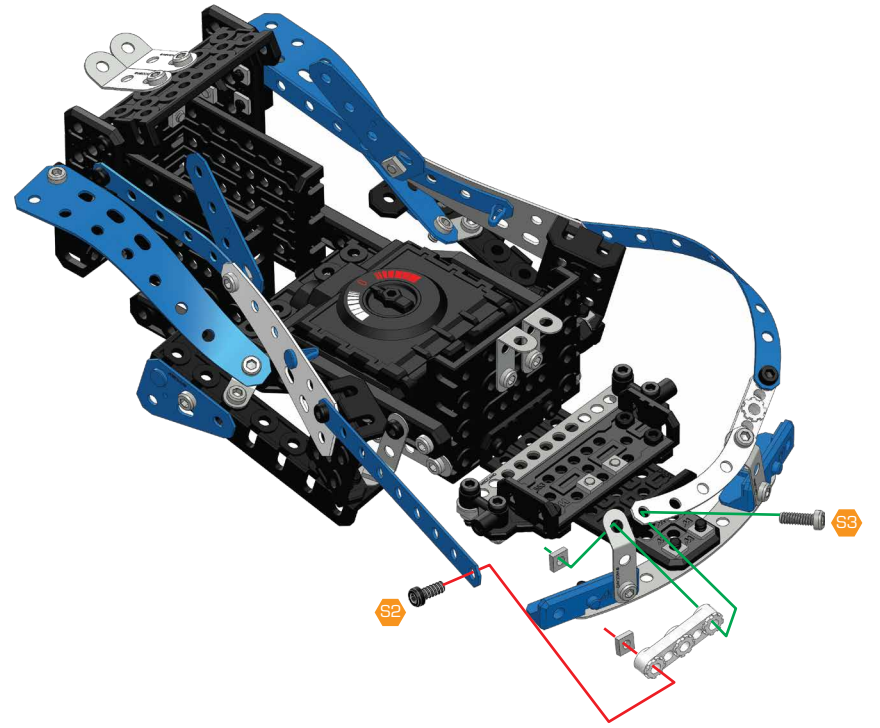


## 23

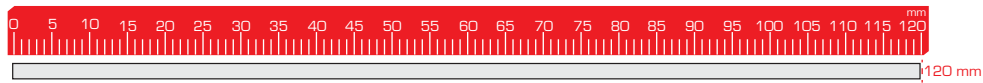
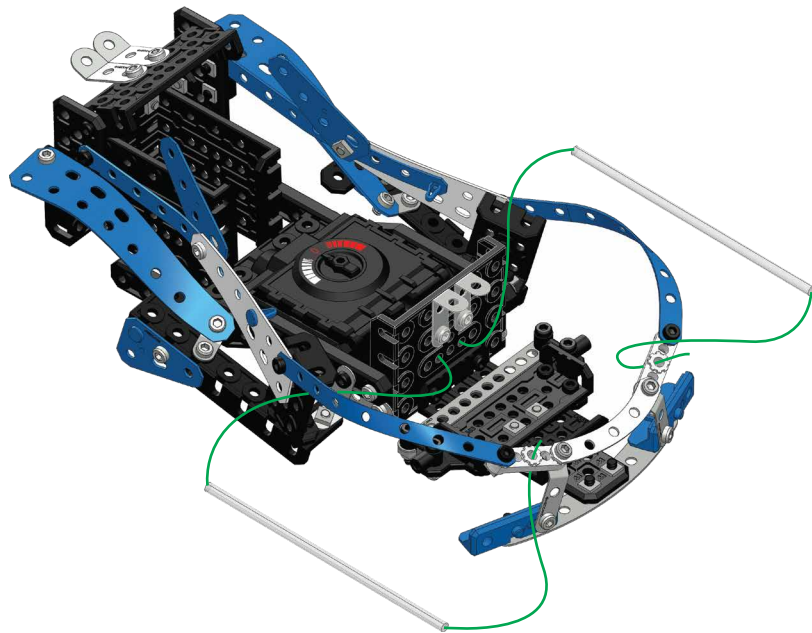
- S2 x 1
- S3 x 1
- x 2
- x 2
- x 1



- S2 9.5 mm
- S3 12 mm

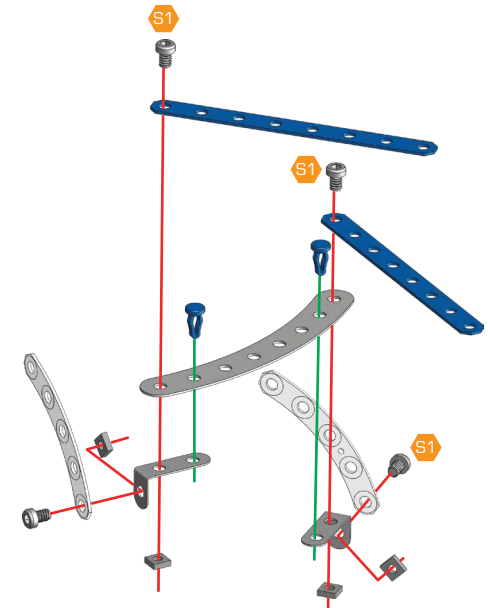


24



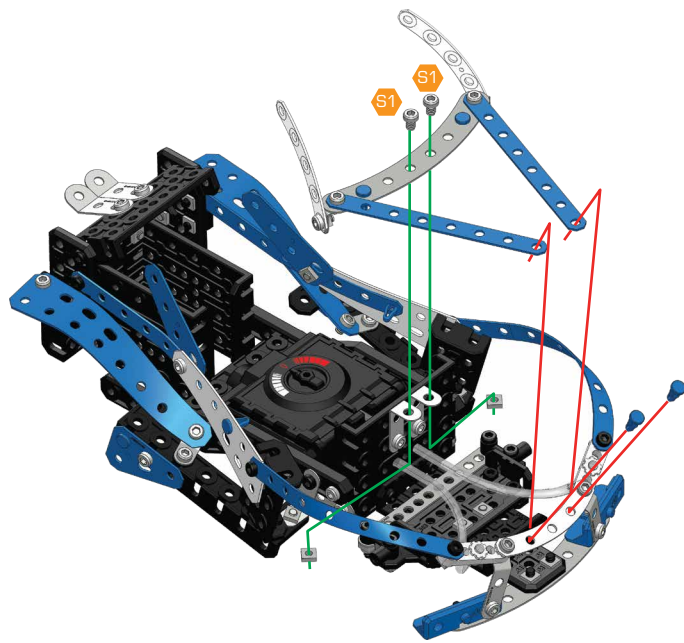
25

- S1 x 4
  - x 4
  - x 2
  - x 2
  - x 1
  - x 2
  - x 2
- S1 5.8 mm



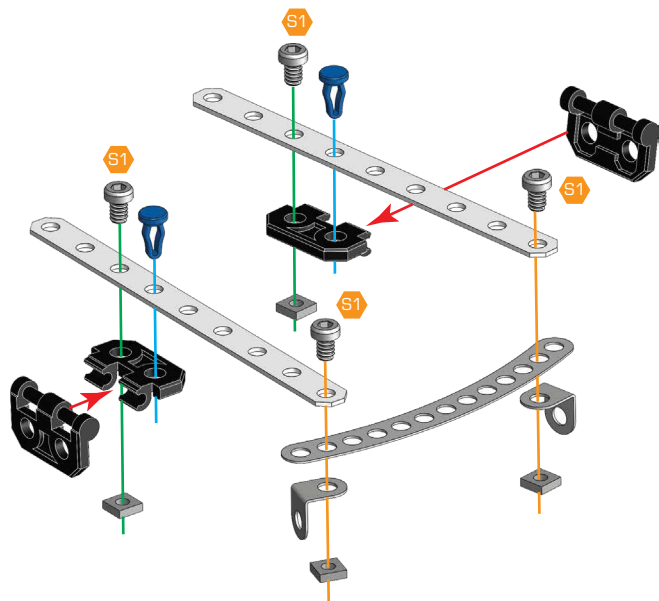
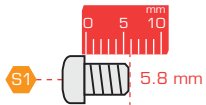
26 24+25

- S1 x 2
  - x 2
  - x 2
- S1 5.8 mm



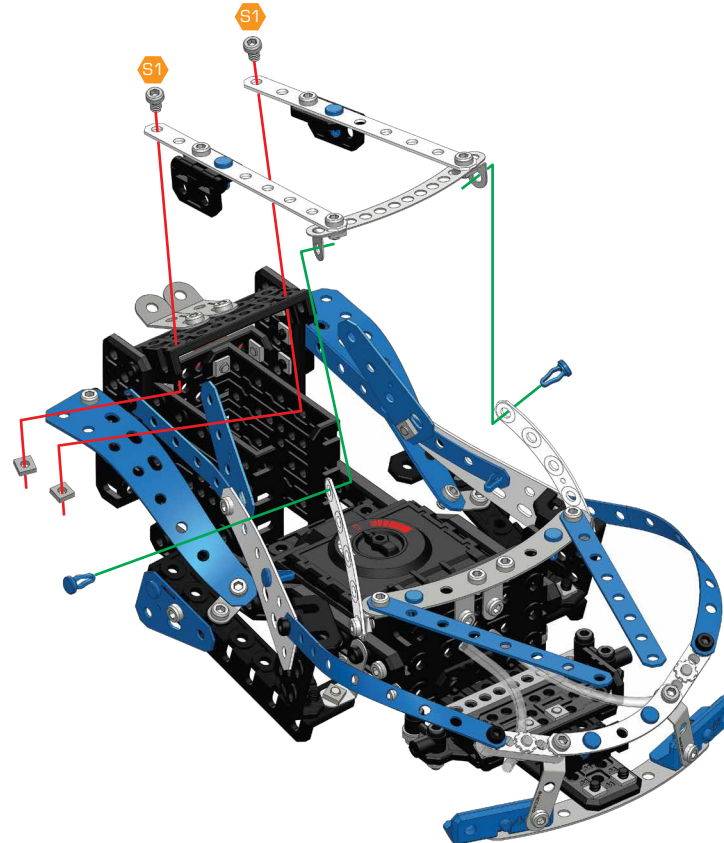
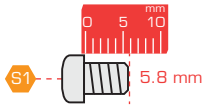
**27**

- x 4
- x 4
- x 2
- x 2
- x 2
- x 2
- x 1
- x 2



**28** 26+27

- x 2
- x 2
- x 2

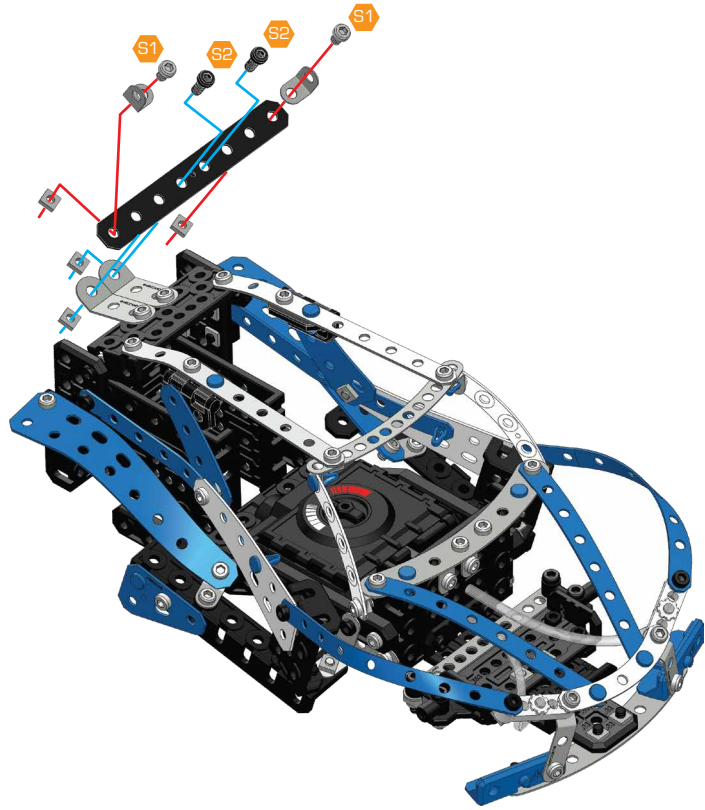


**29**

- S1 x 2
- S2 x 2
- x 4
- x 2
- x 1

S1 5.8 mm

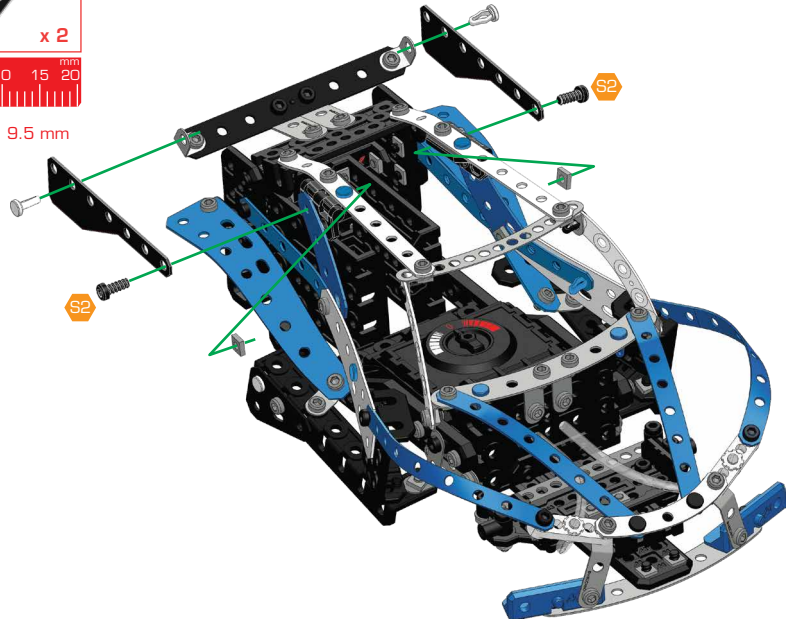
S2 9.5 mm



**30**

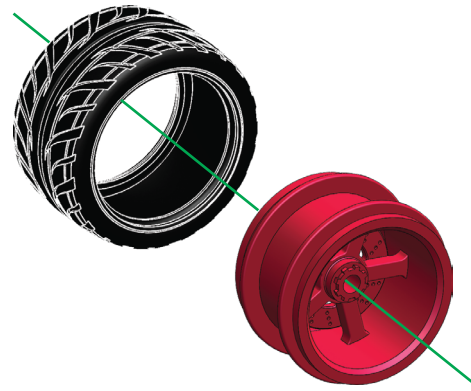
- S2 x 2
- x 2
- x 2
- x 2









S2 9.5 mm

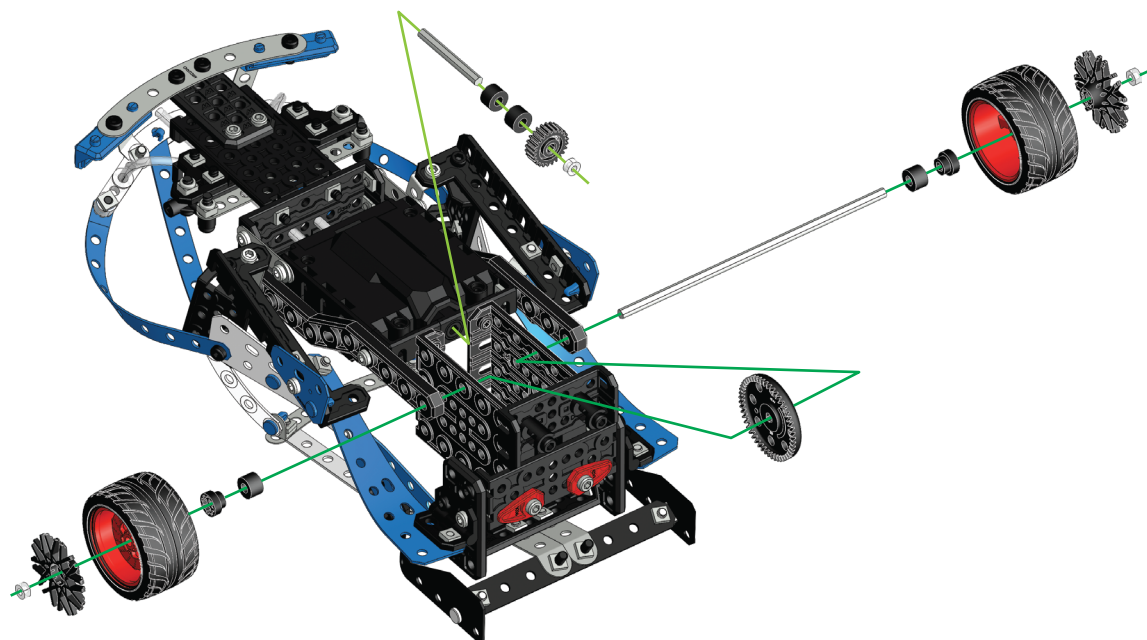


**31**




- x 4
- x 4



- 32** 30+31
-  x 1
  -  x 1
  -  x 4
  -  x 2
  -  x 3
  -  x 1
  -  x 2
  -  x 1



**33** 31+32

-  x 2
-  x 2
-  x 2

