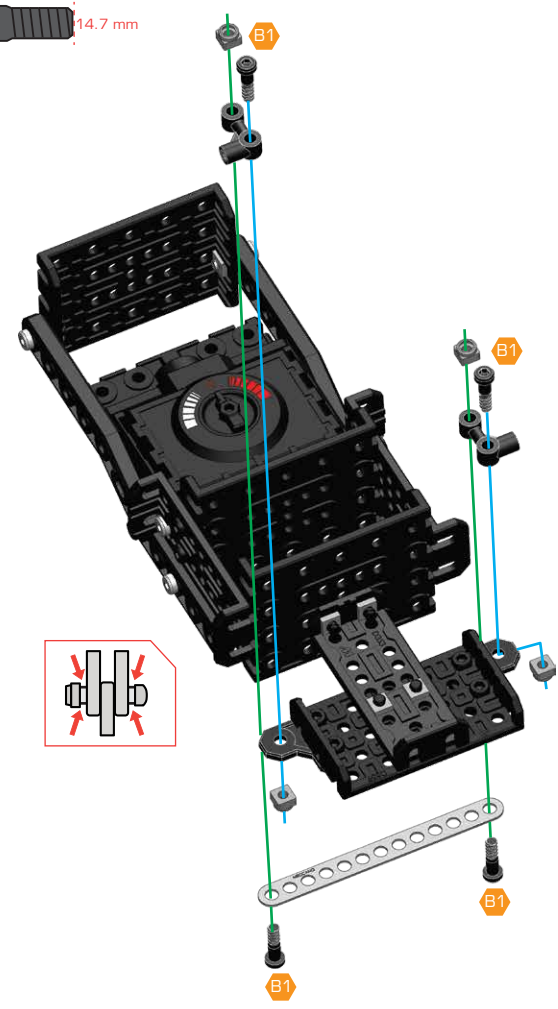
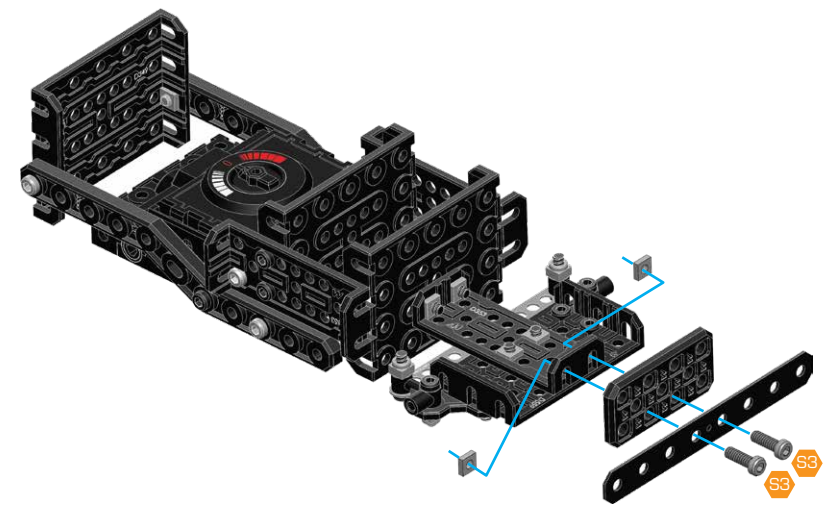
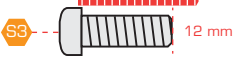


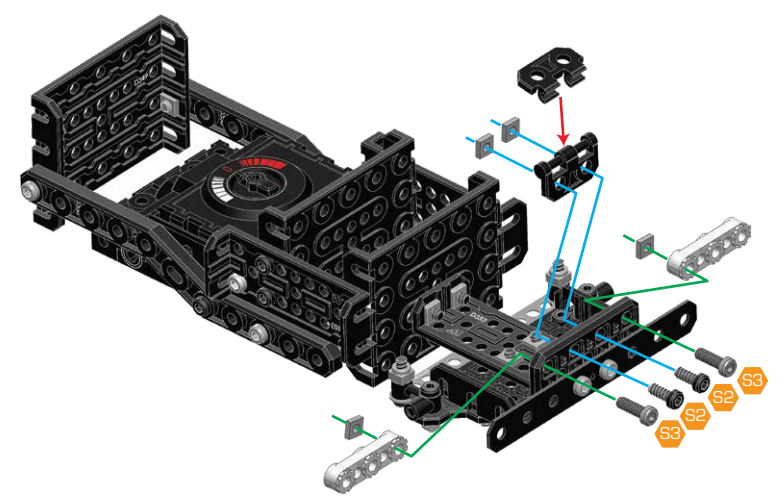
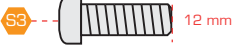
- 9**
- B1 x 4
 - x 4
 - x 2
 - x 1



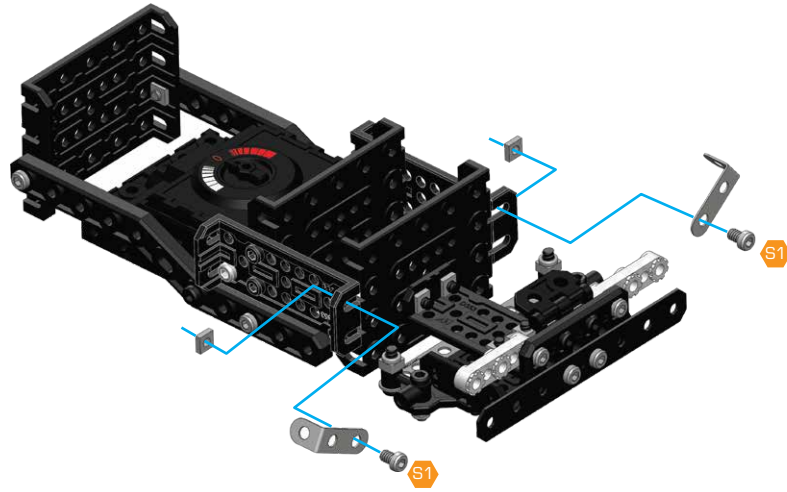
- 10**
- S3 x 2
 - x 2
 - x 1
 - x 1



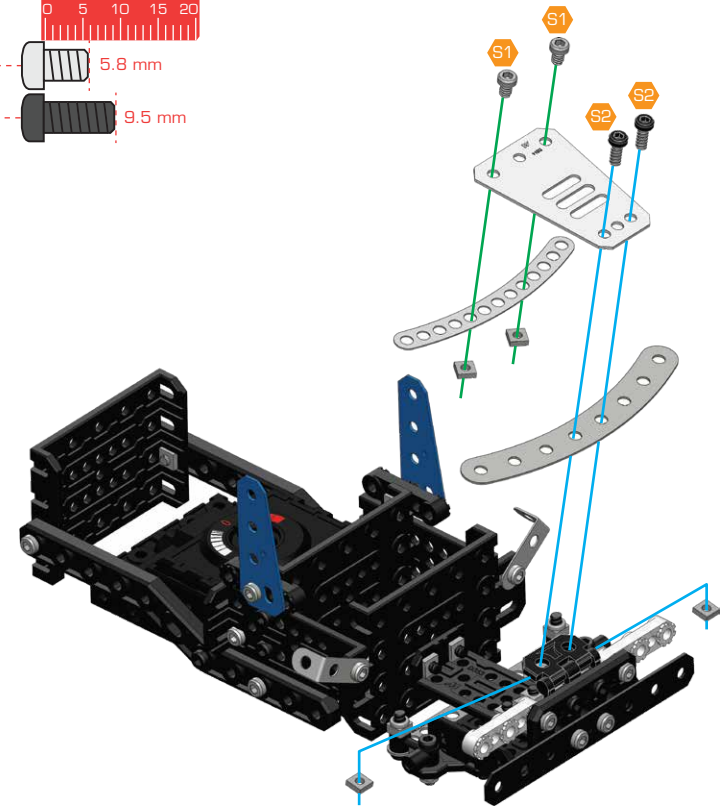
- 11**
- S2 x 2
 - S3 x 2
 - x 4
 - x 1
 - x 1
 - x 2



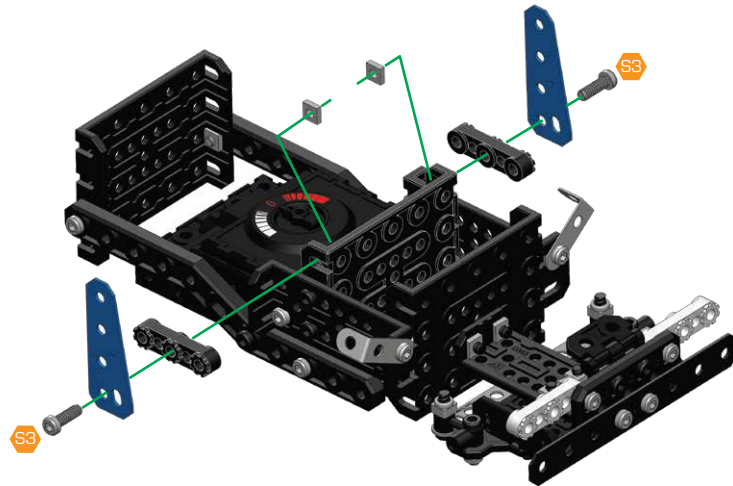
- 12**
- S1 x 2
 - x 2
 - x 2
- 0 5 10 15 20 mm
- S1 5.8 mm



- 14**
- S1 x 2
 - S2 x 2
 - x 4
 - x 1
 - x 1
 - x 1
- 0 5 10 15 20 mm
- S1 5.8 mm
- S2 9.5 mm



- 13**
- S3 x 2
 - x 2
 - x 2
 - x 2
- 0 5 10 mm
- S3 12 mm

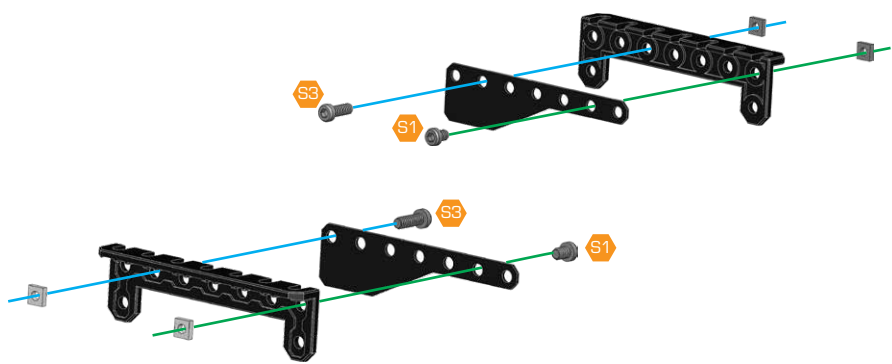


15

- S1 x 2
- S3 x 2
- x 4
- x 2
- x 2



- S1 5.8 mm
- S3 12 mm

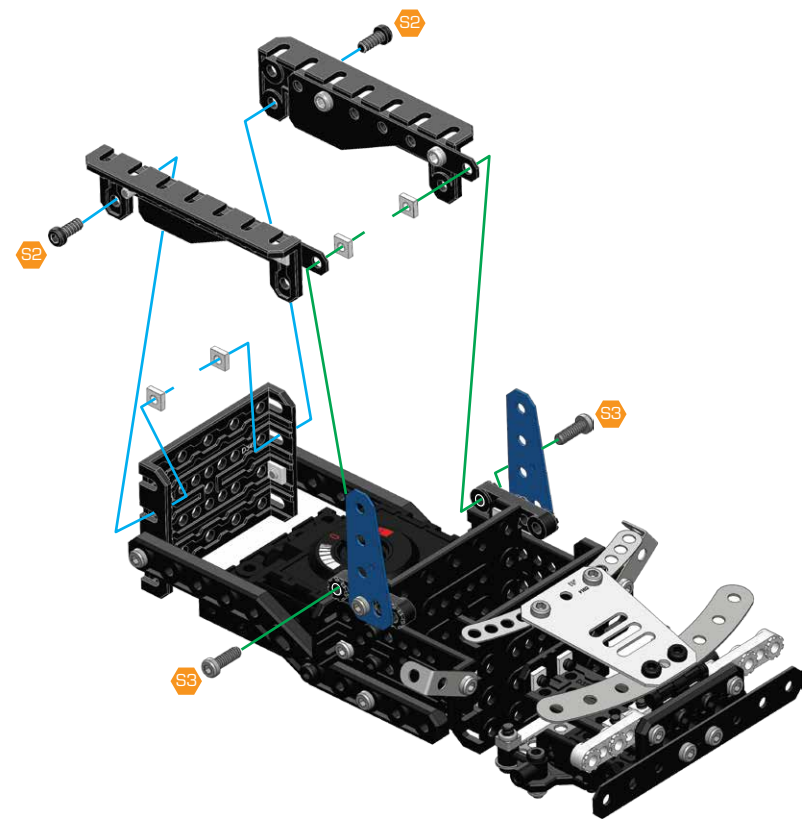


16 14+15

- S2 x 2
- S3 x 2
- x 4



- S2 9.5 mm
- S3 12 mm

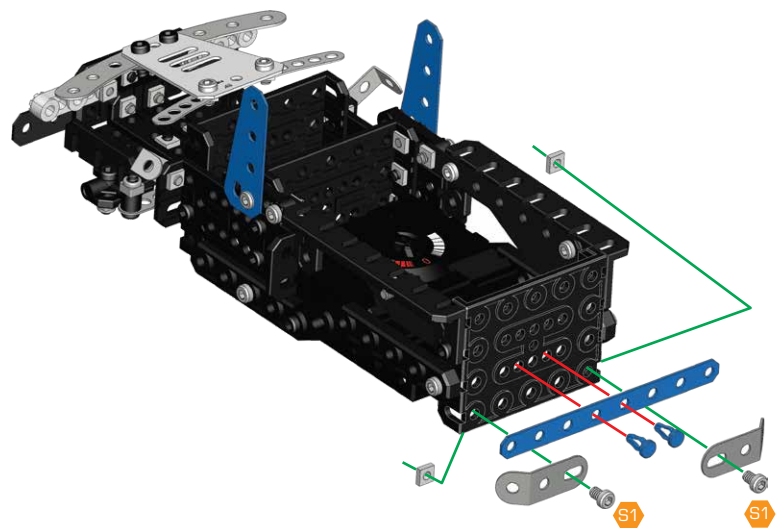


17

- S1 x 2
- x 2
- x 2
- x 2
- x 1



- S1 5.8 mm



18

	x 4
	x 2
	x 4
	x 2
	x 2
	x 1

5.8 mm

19

	x 2
	x 1
	x 4
	x 3
	x 1
	x 1
	x 1
	x 1
	x 1
	x 1
	x 1

5.8 mm
9.5 mm

20

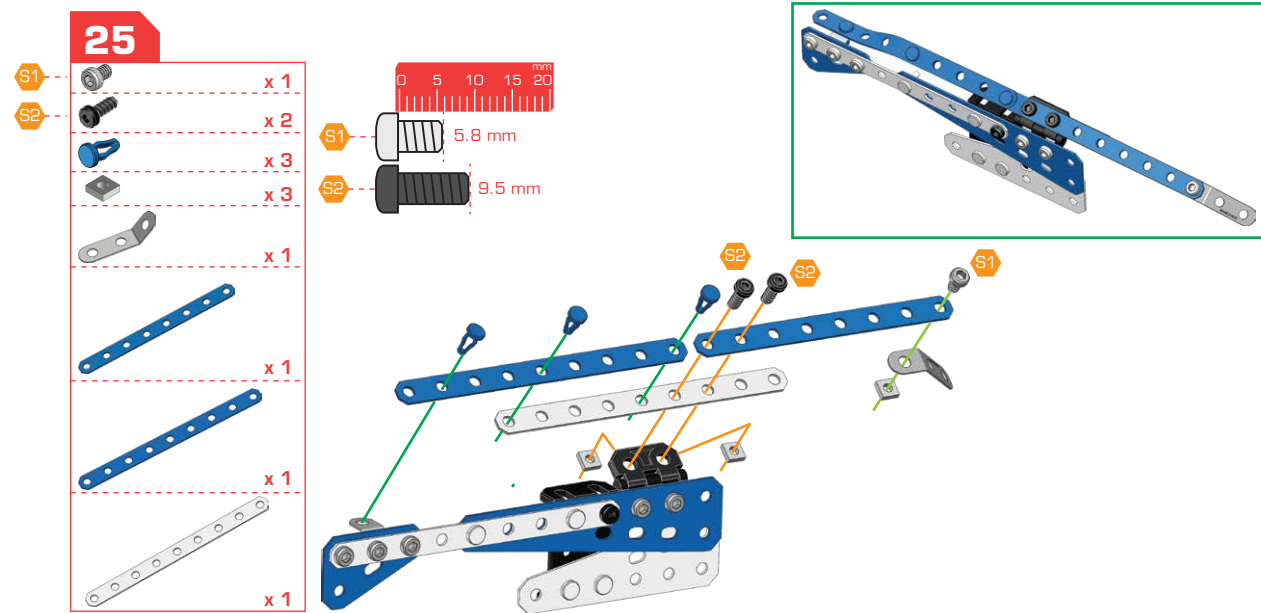
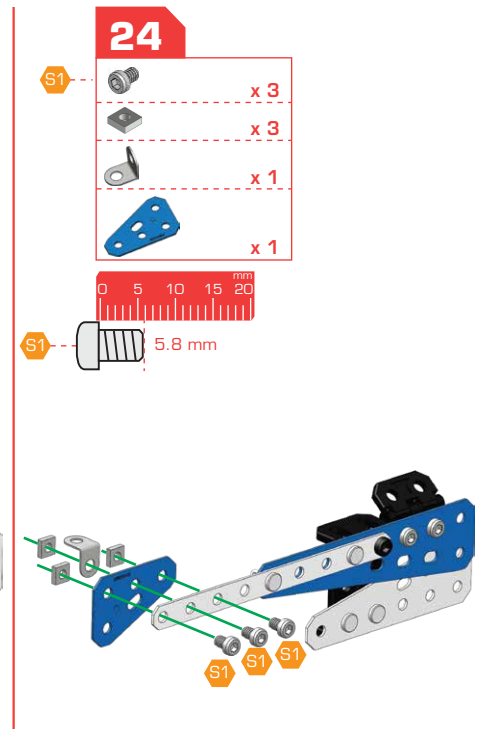
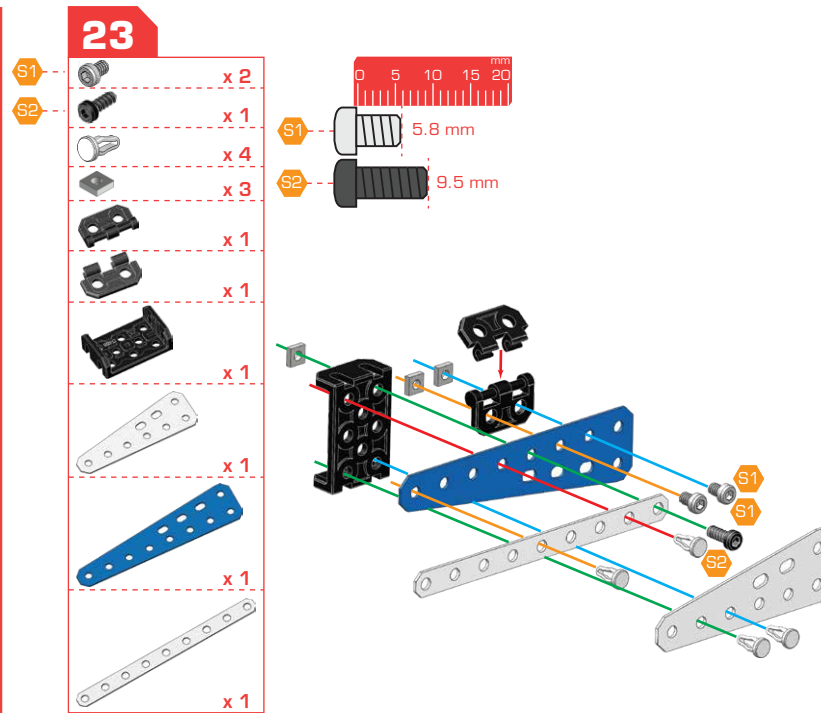
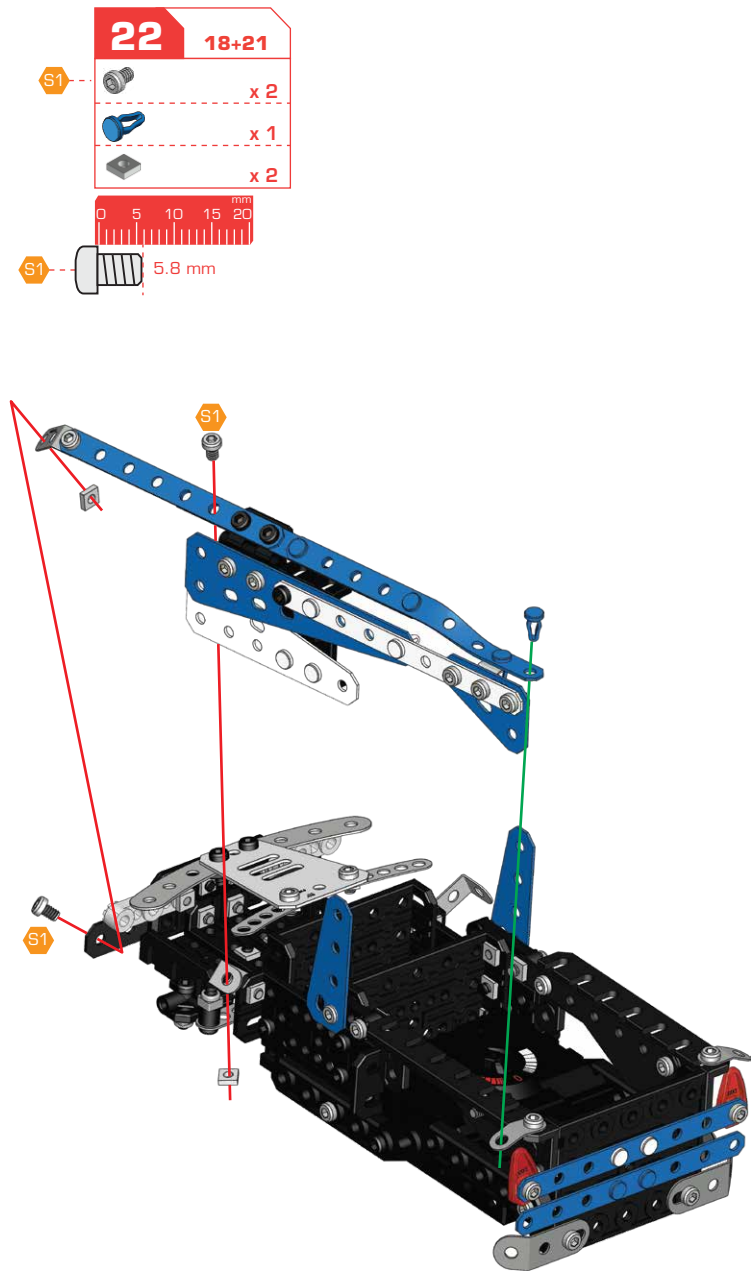
	x 3
	x 3
	x 1
	x 1

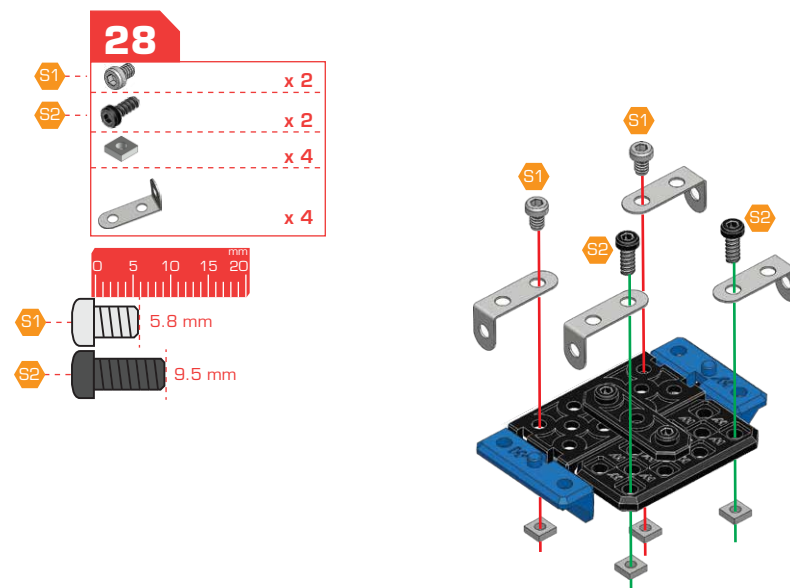
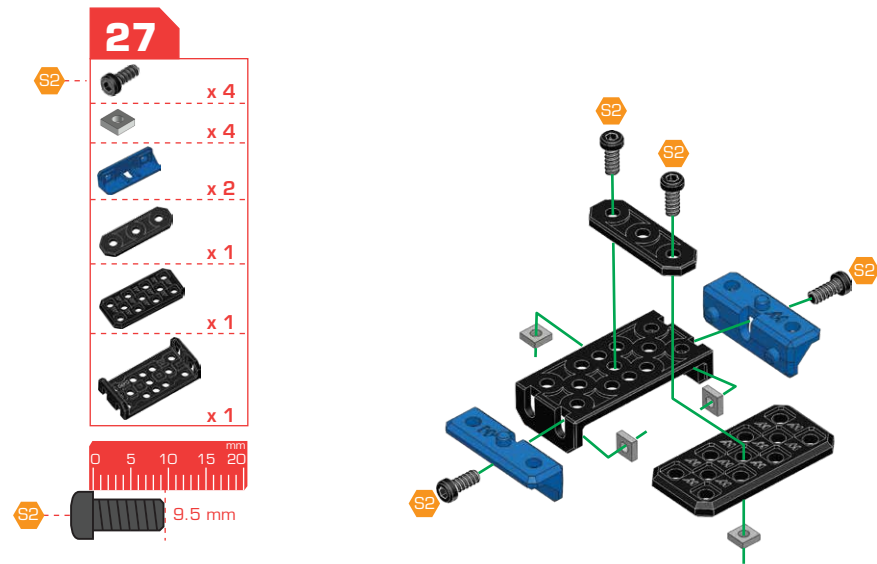
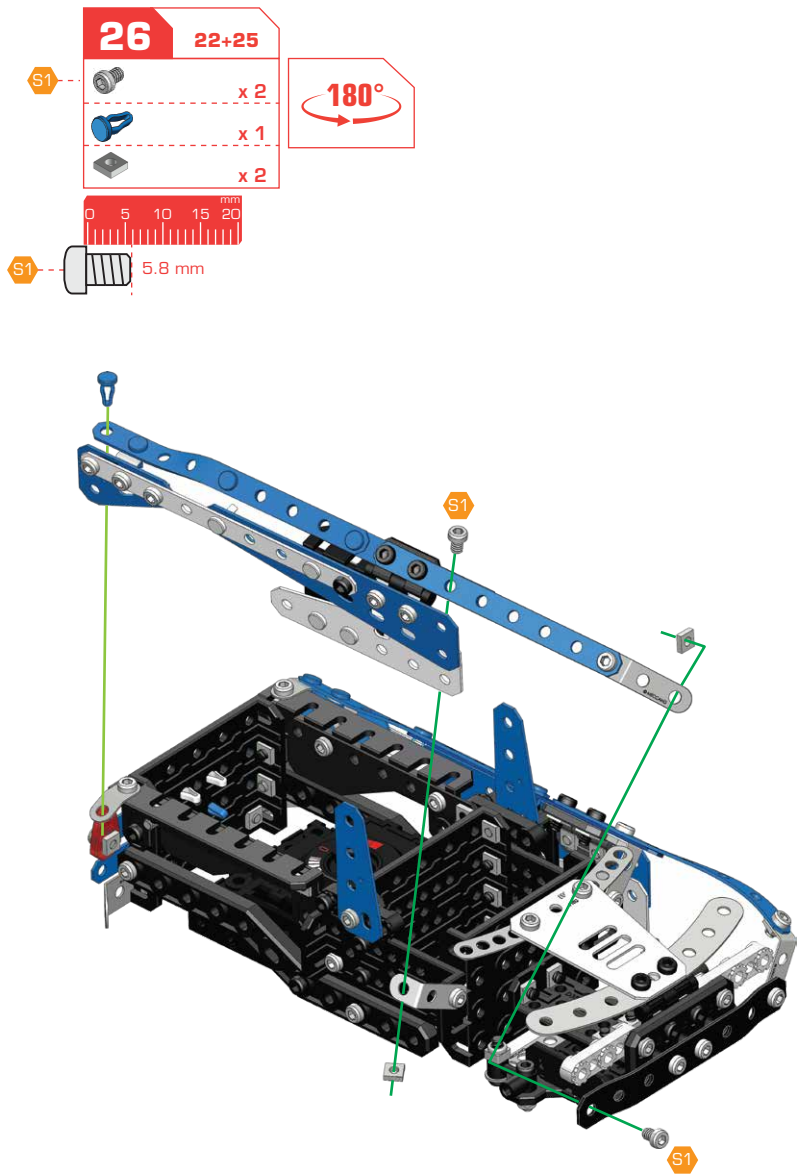
5.8 mm

21







	x 1
	x 2
	x 3
	x 3
	x 1
	x 1
	x 1
	x 1

5.8 mm
9.5 mm





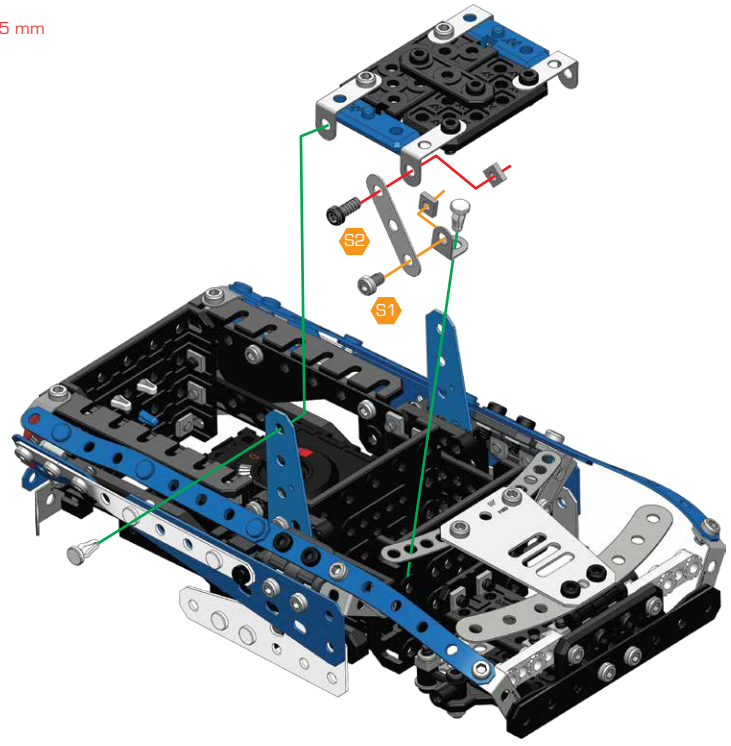


29 26+28







- S1  x 1
- S2  x 1
-  x 2
-  x 2
-  x 1
-  x 1

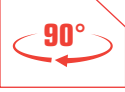




- S1  5.8 mm
- S2  9.5 mm

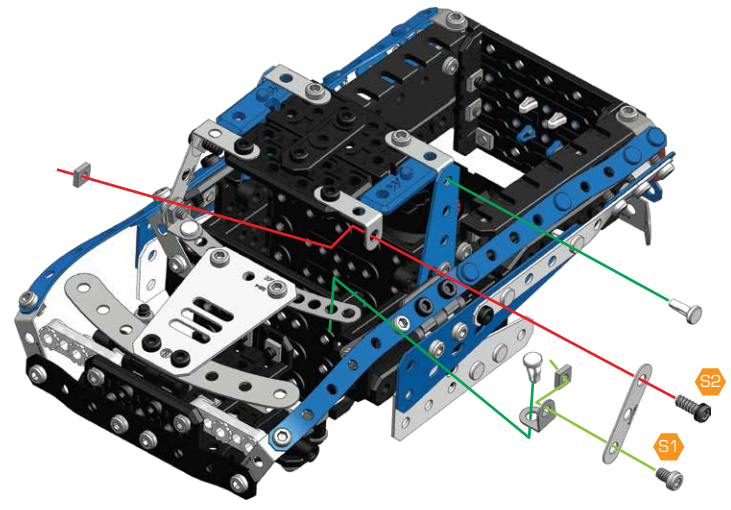


30

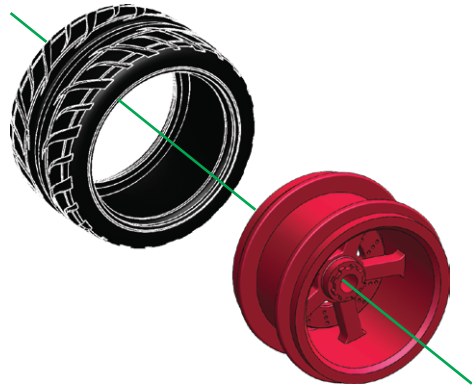
- S1  x 1
- S2  x 1
-  x 2
-  x 2
-  x 1
-  x 1



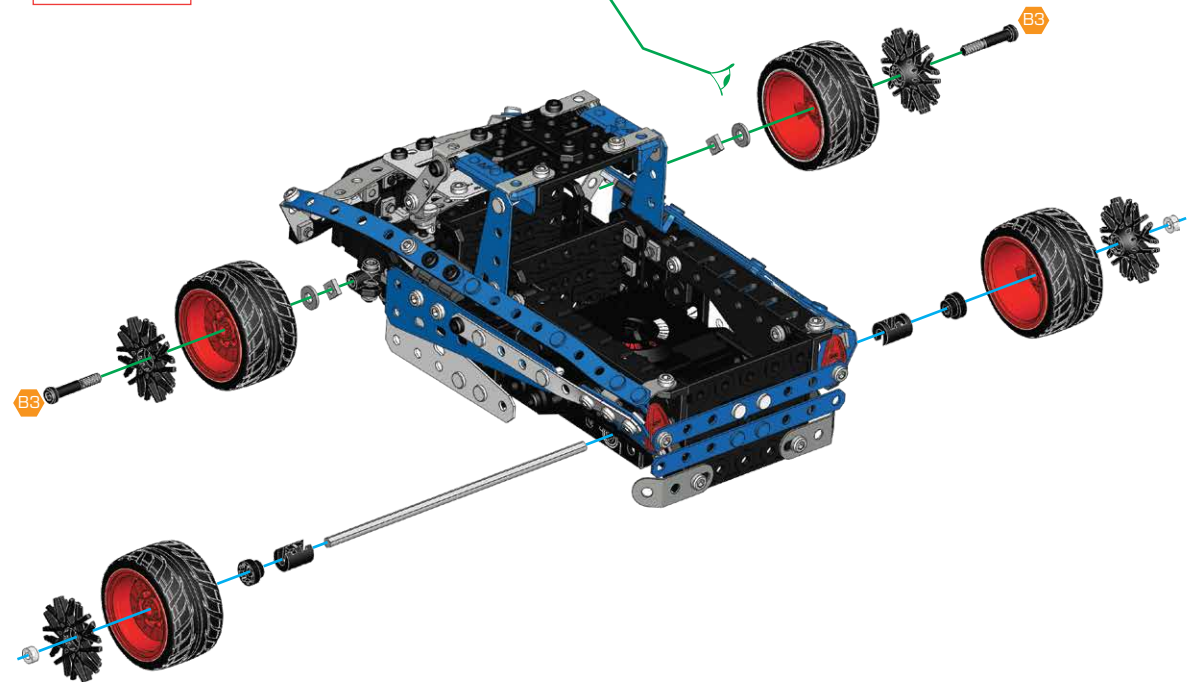
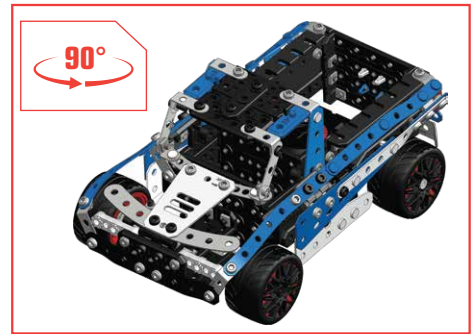
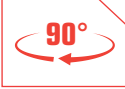
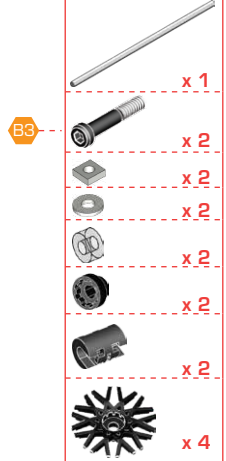
- S1  5.8 mm
- S2  9.5 mm



31



32 30+31



133.4 mm

