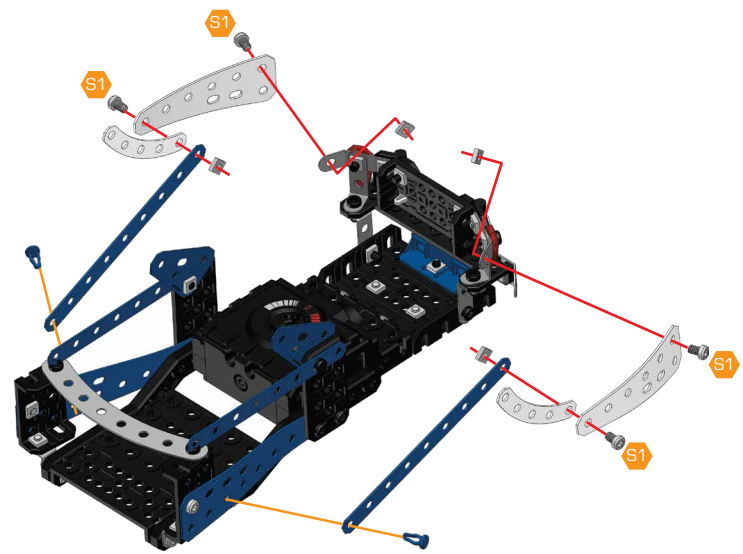


17

- S1 x 4
- x 2
- x 4
- x 2
- x 2
- x 2

0 5 10 mm

S1 5.8 mm

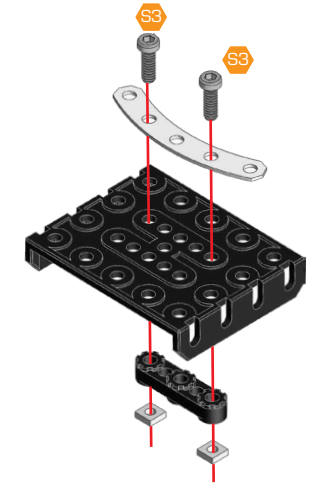


18

- S3 x 2
- x 2
- x 1
- x 1
- x 1

0 5 10 mm

S3 12 mm

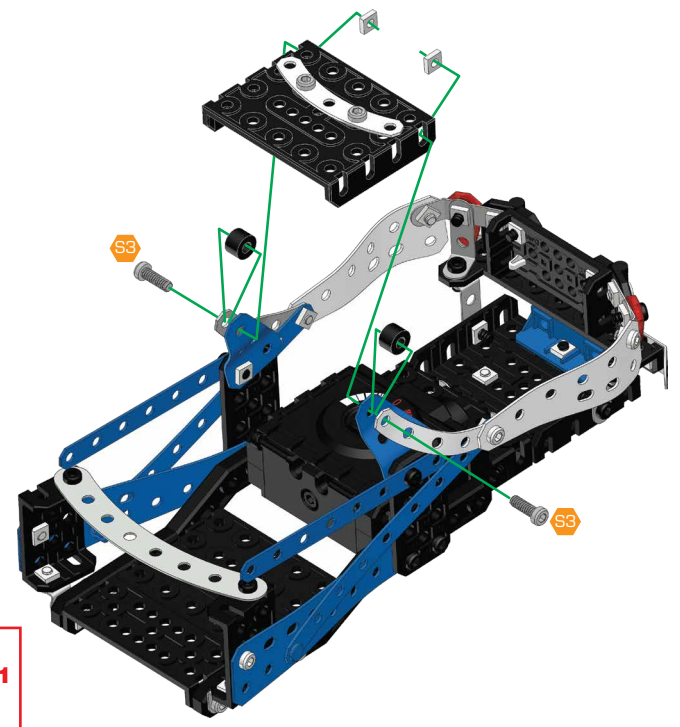


19 17+18

- S3 x 2
- x 2
- x 2

0 5 10 mm

S3 12 mm



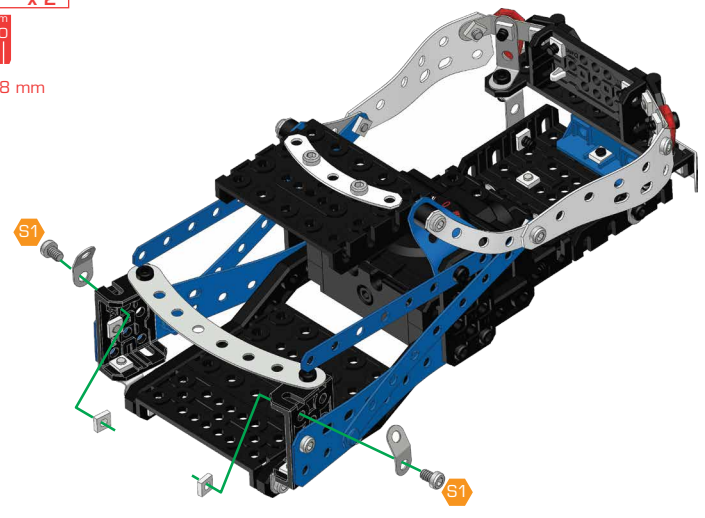
A238 1:1

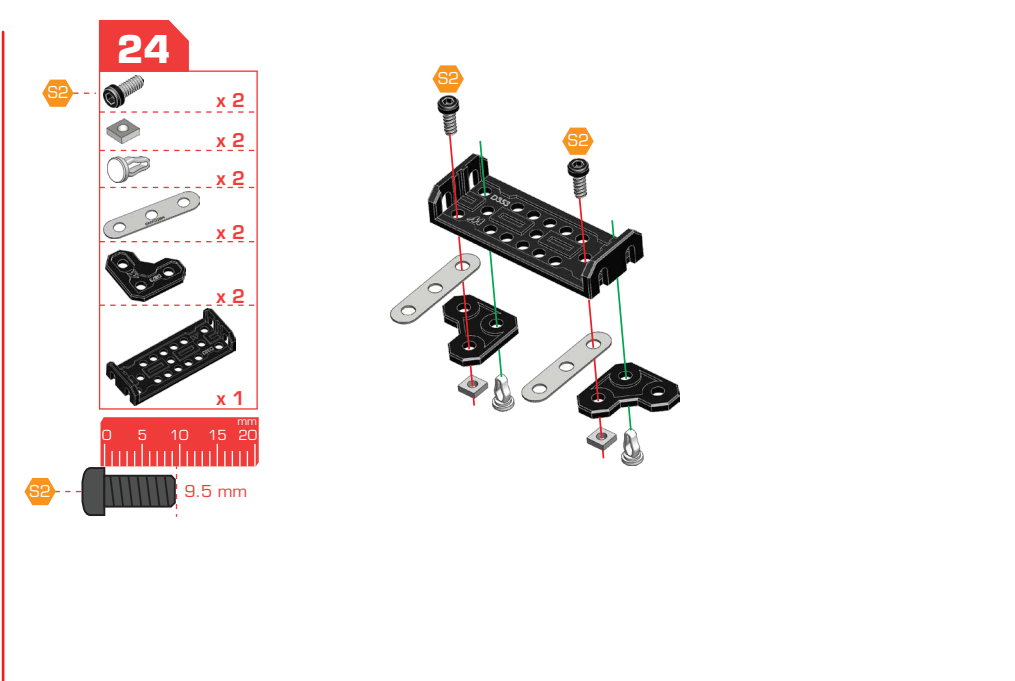
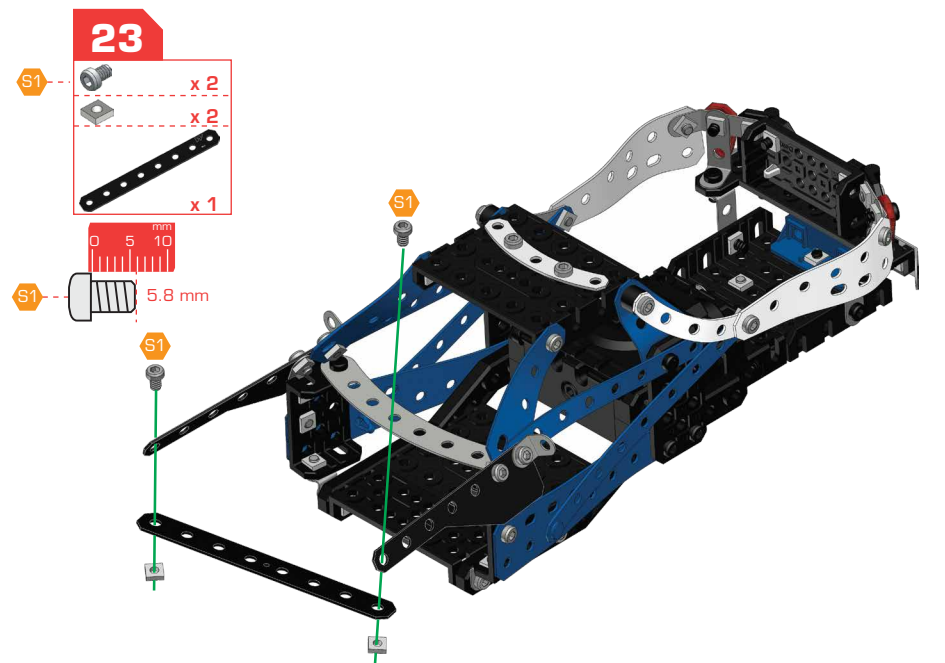
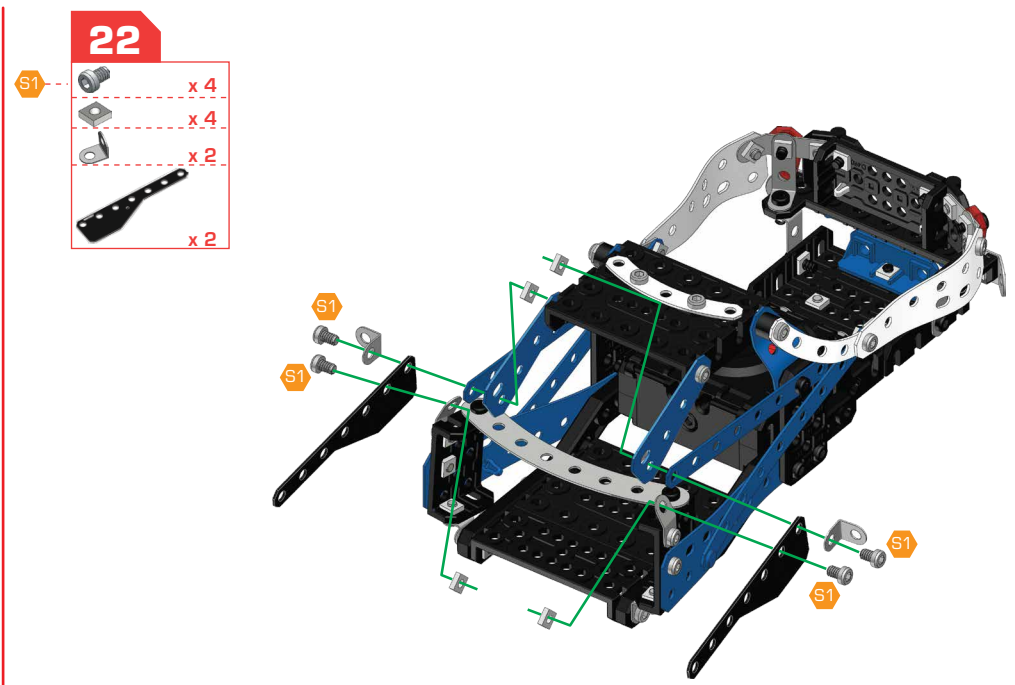
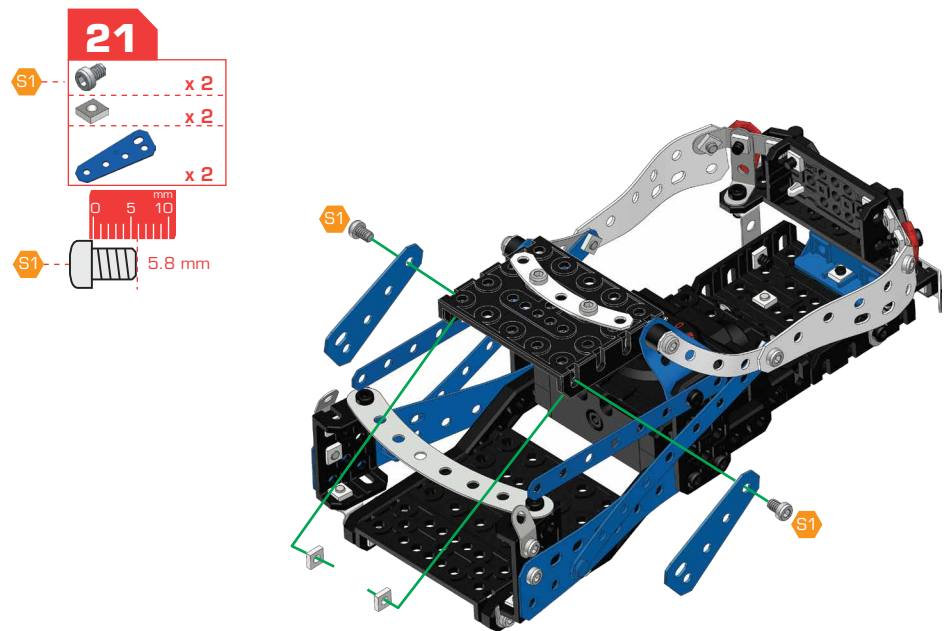
20

- S1 x 2
- x 2
- x 2

0 5 10 mm

S1 5.8 mm



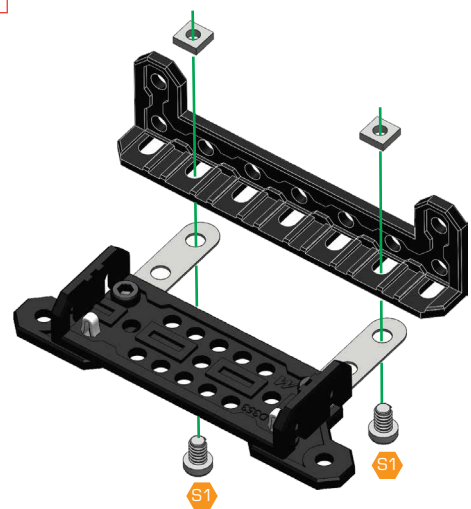


25

- S1 x 2
- x 2
- x 1

180°

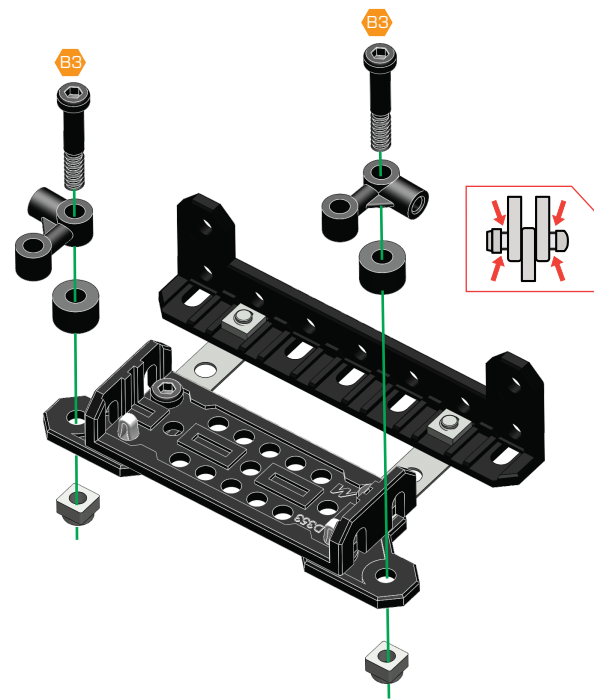
S1 5.8 mm



26

- B3 x 2
- x 2
- x 2
- x 2

B3 23 mm

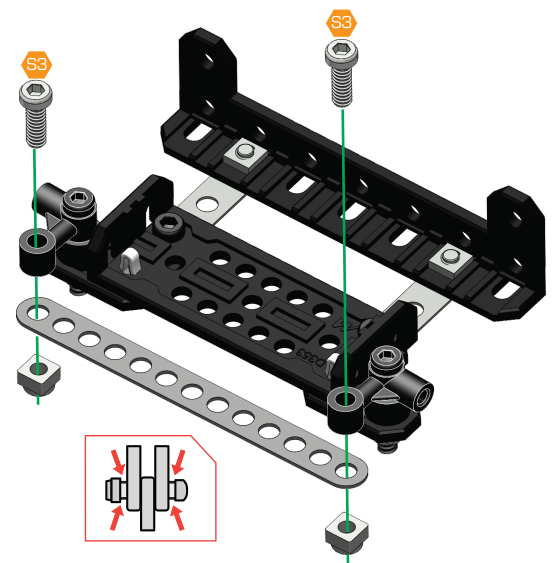


A238 1:1

27

- S3 x 2
- x 2
- x 1

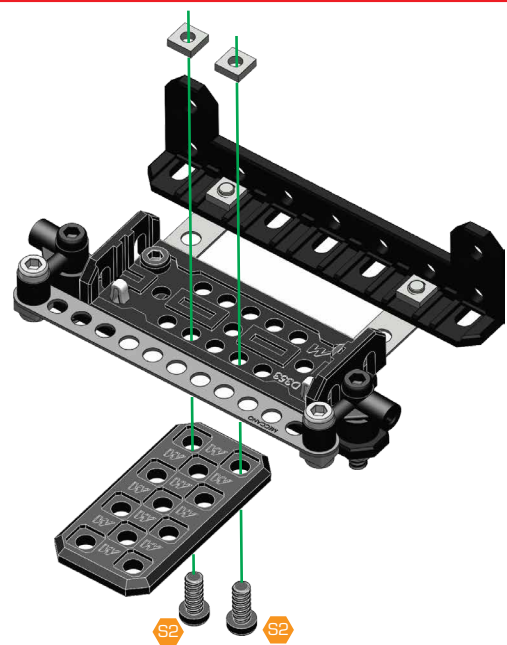
S3 12 mm

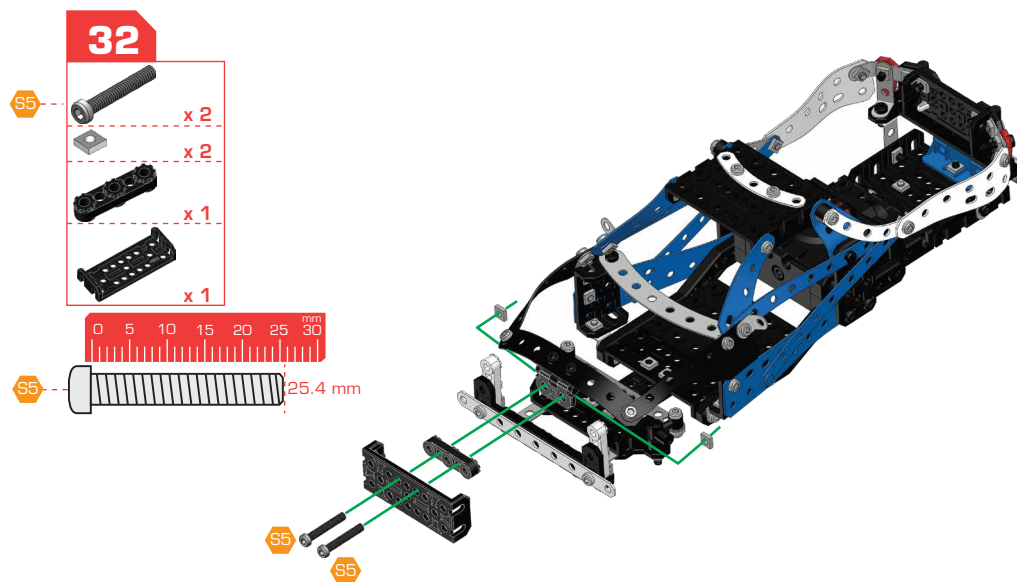
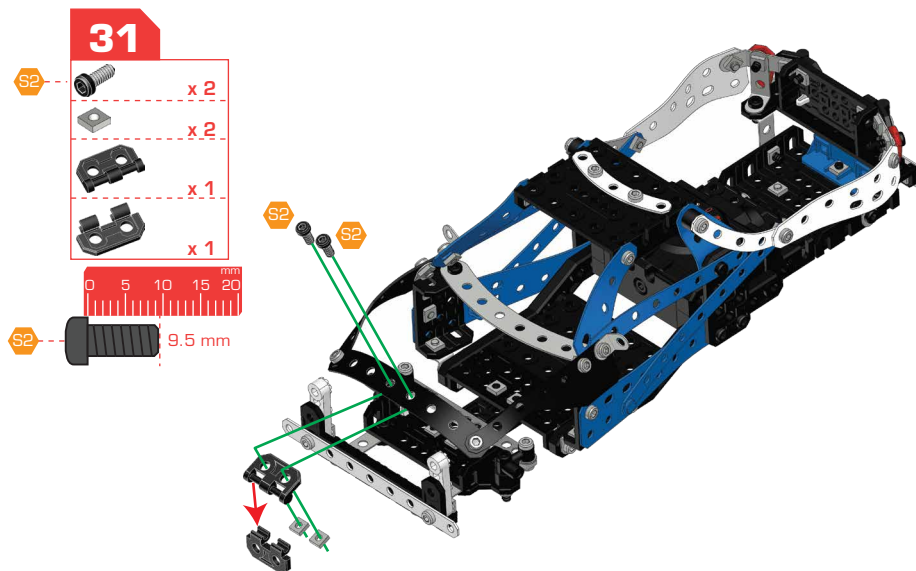
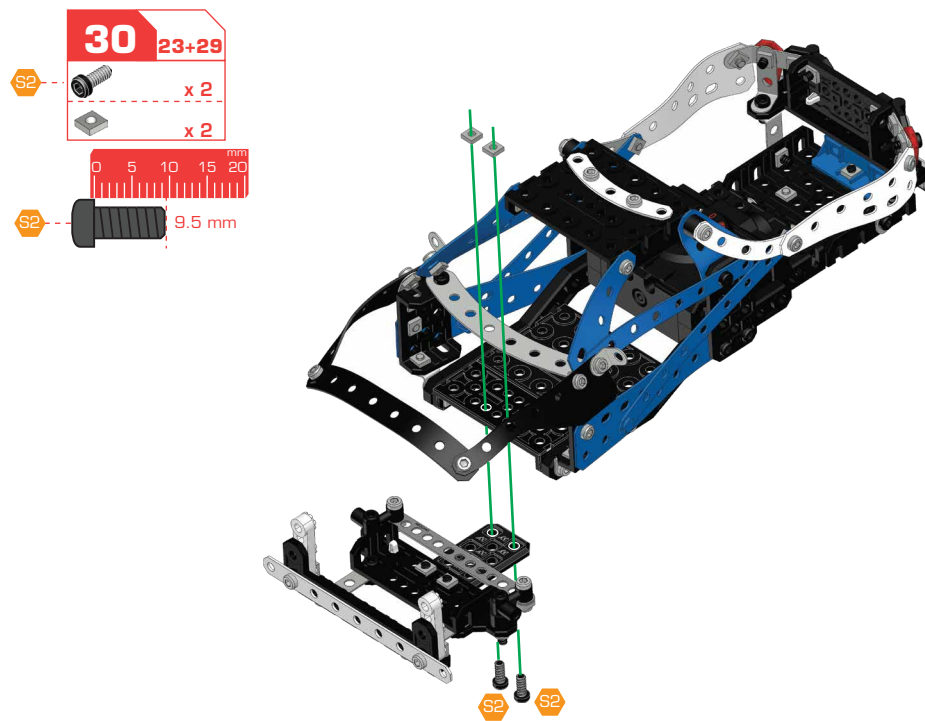
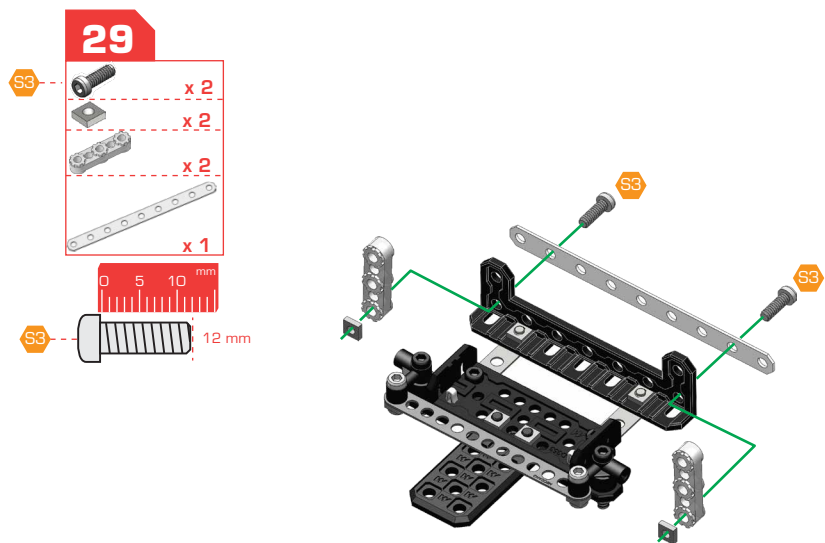


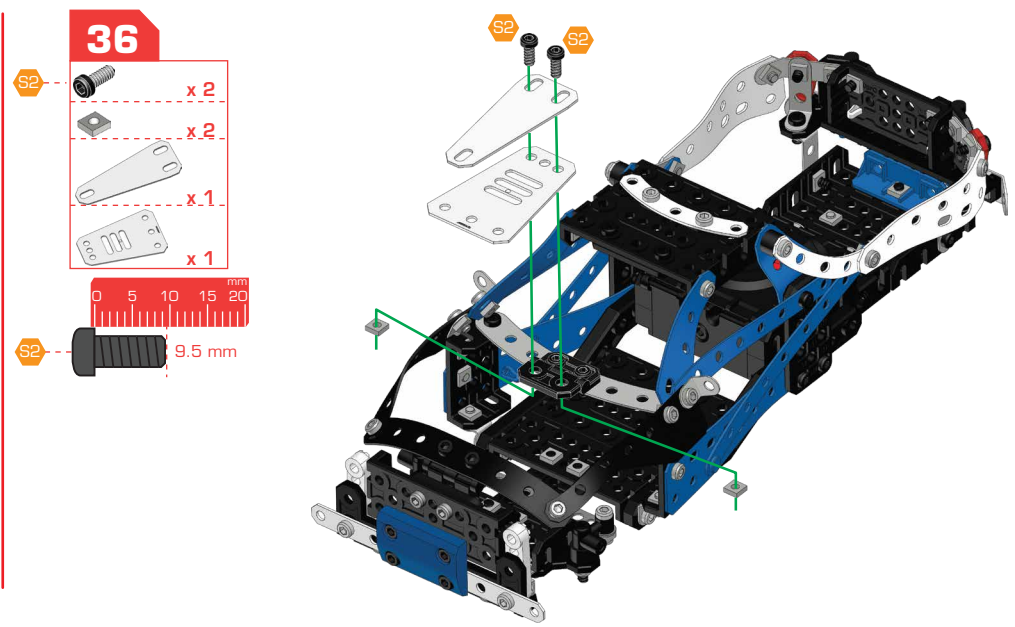
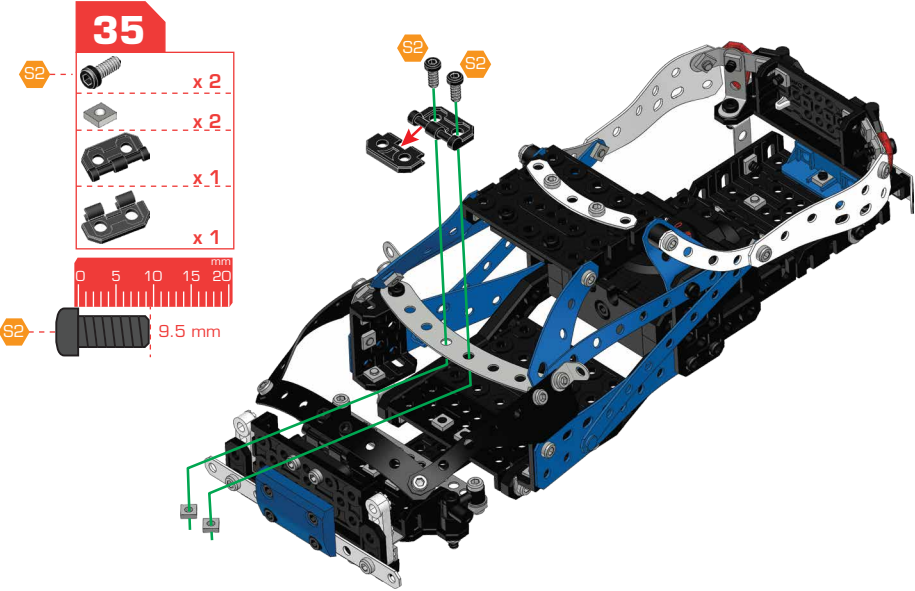
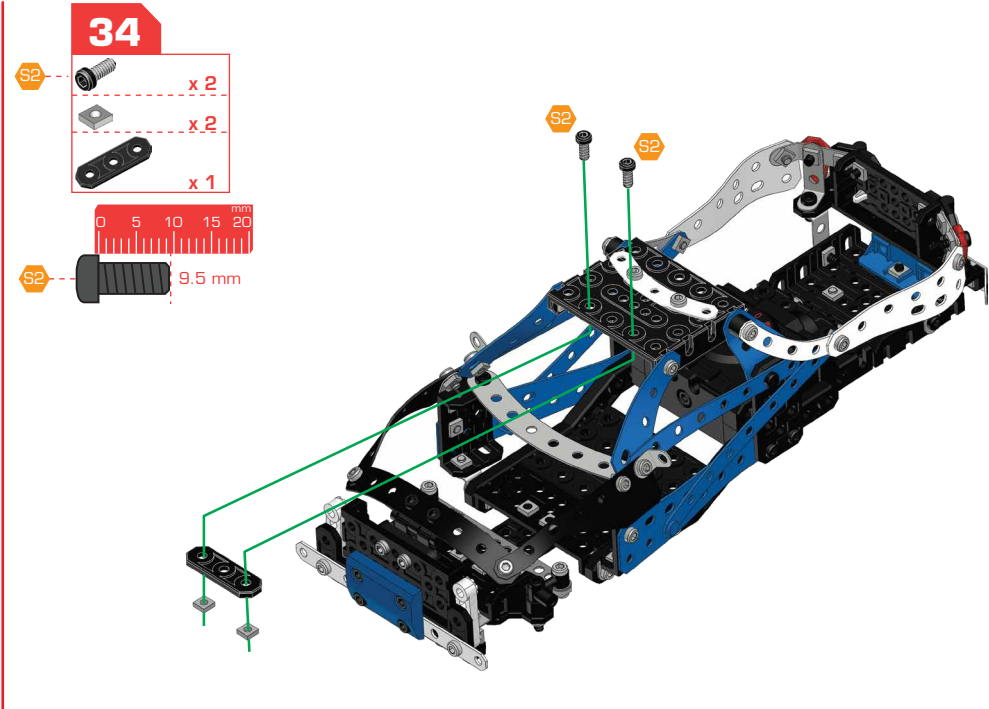
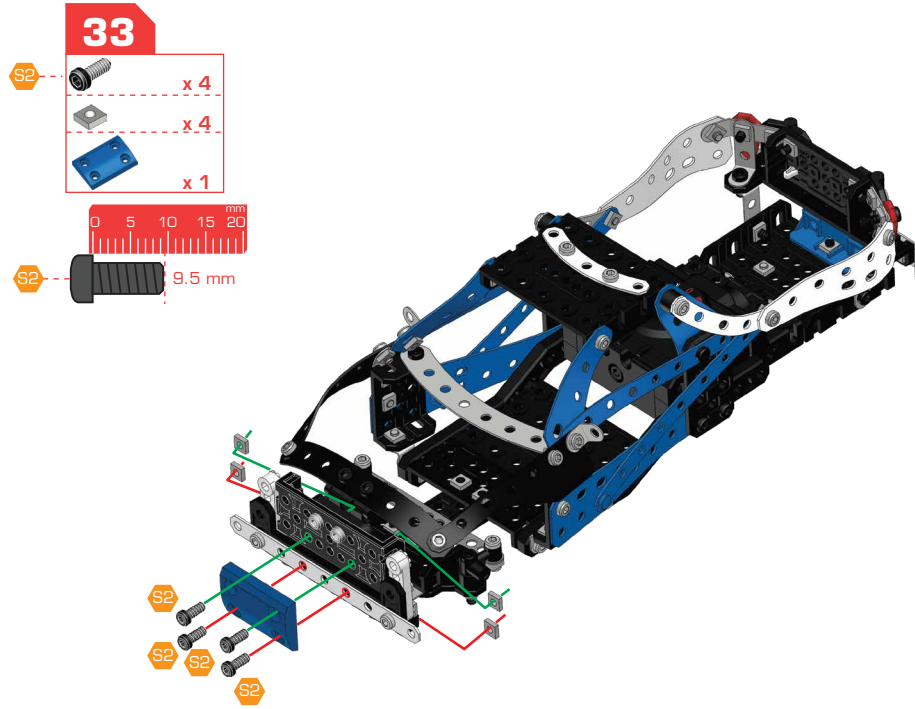
28

- S2 x 2
- x 2
- x 1

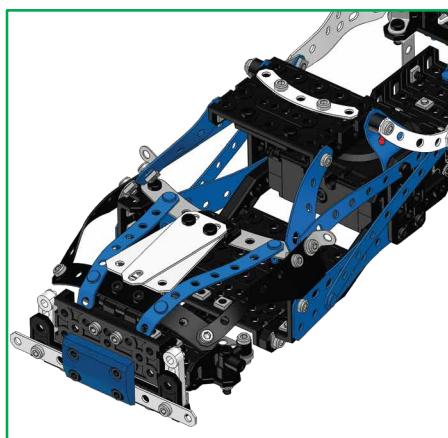
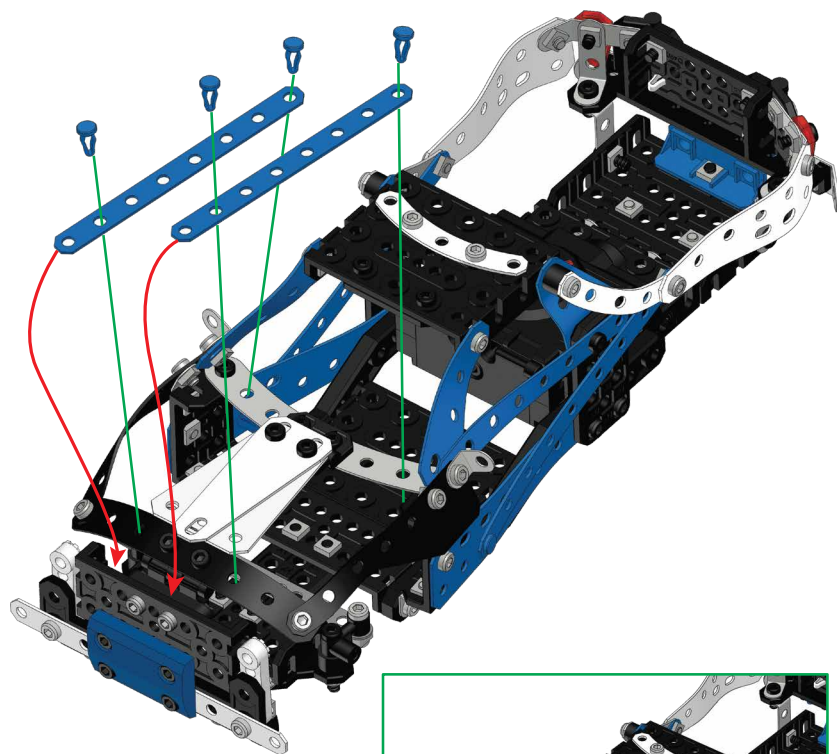
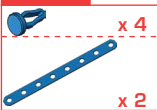
S2 9.5 mm











37

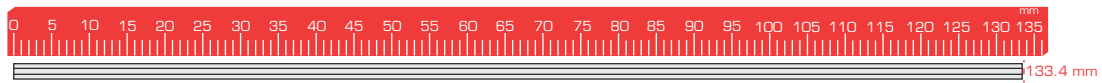
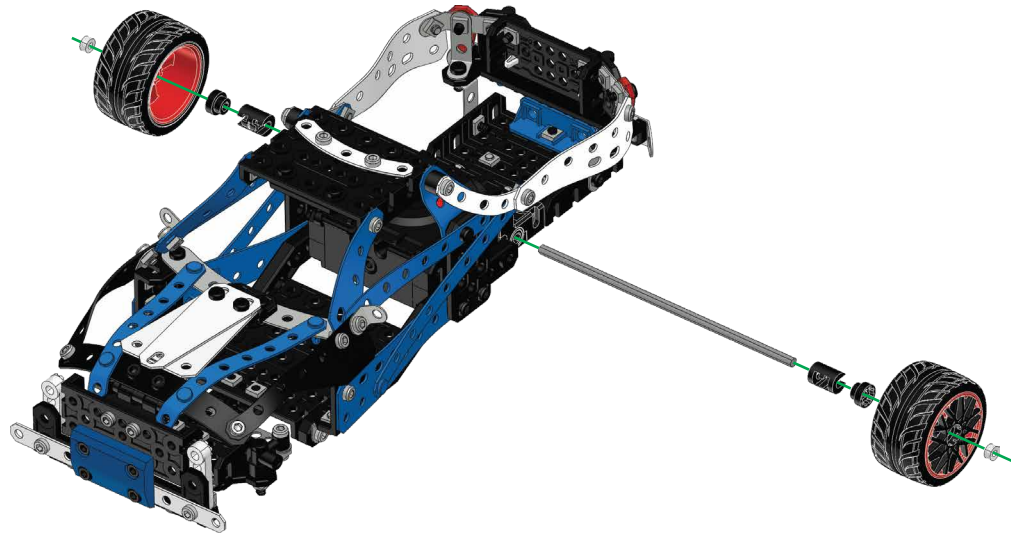


38





39 37+38

-  x 2
-  x 2
-  x 2
-  x 1



40 38+39

-  x 2
-  x 2

