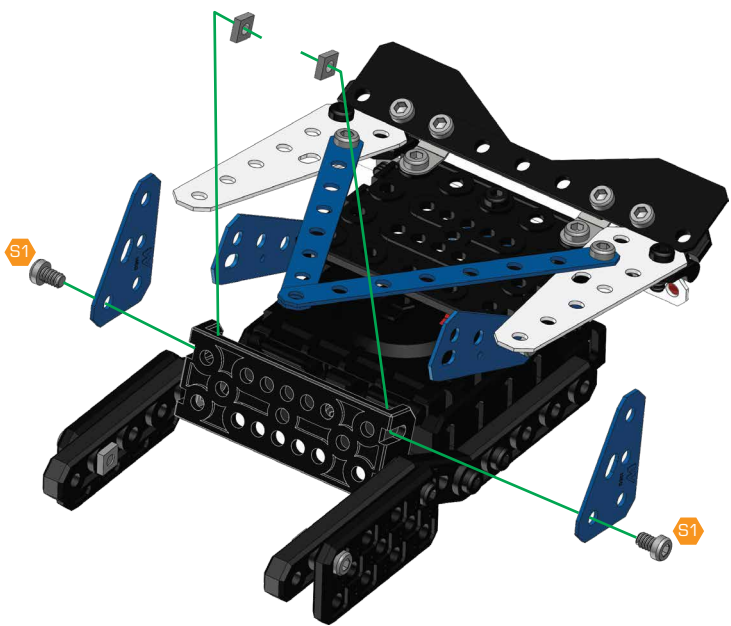


- 15**
- S1 x 2
 - x 2
 - x 2



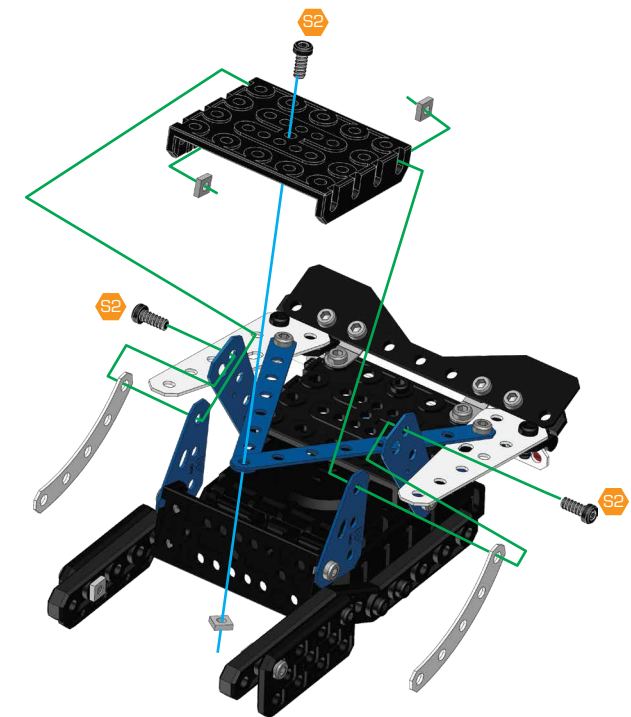
S1 5.8 mm



- 16**
- S2 x 3
 - x 3
 - x 2
 - x 1



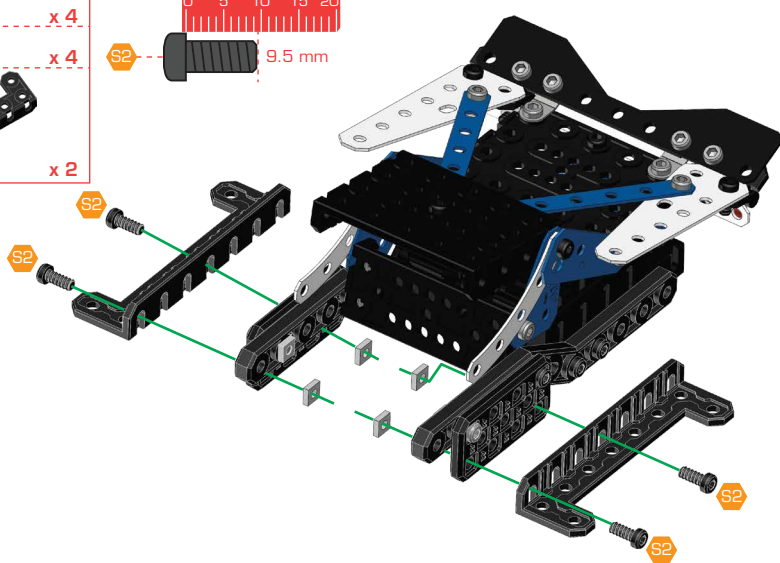
S2 9.5 mm



- 17**
- S2 x 4
 - x 4
 - x 2



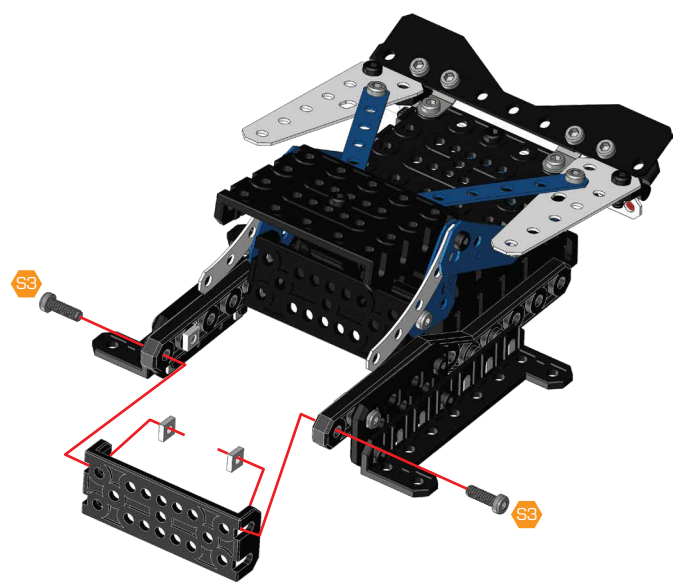
S2 9.5 mm

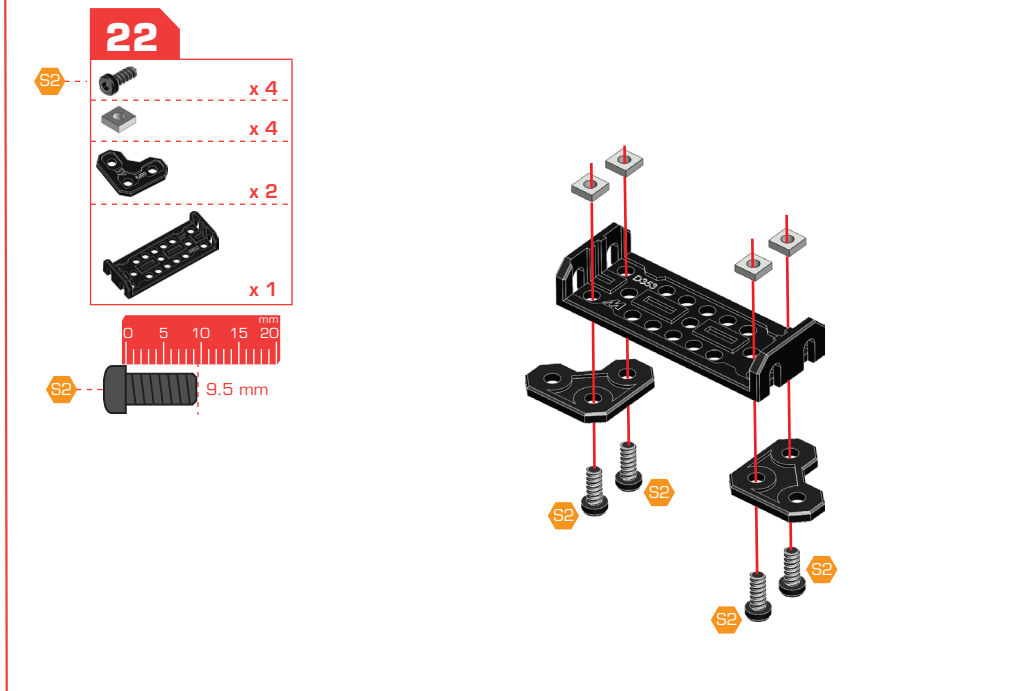
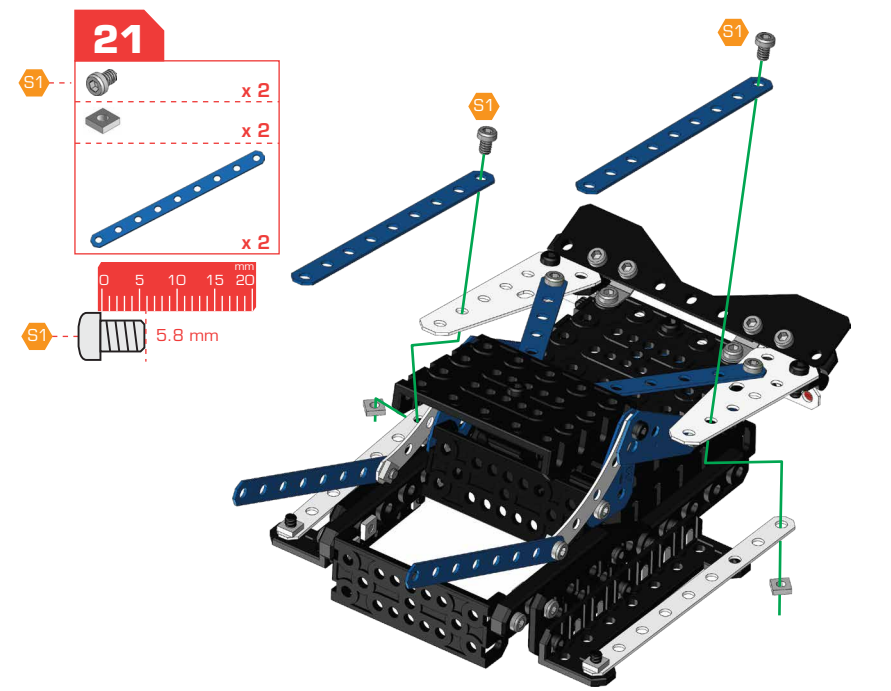
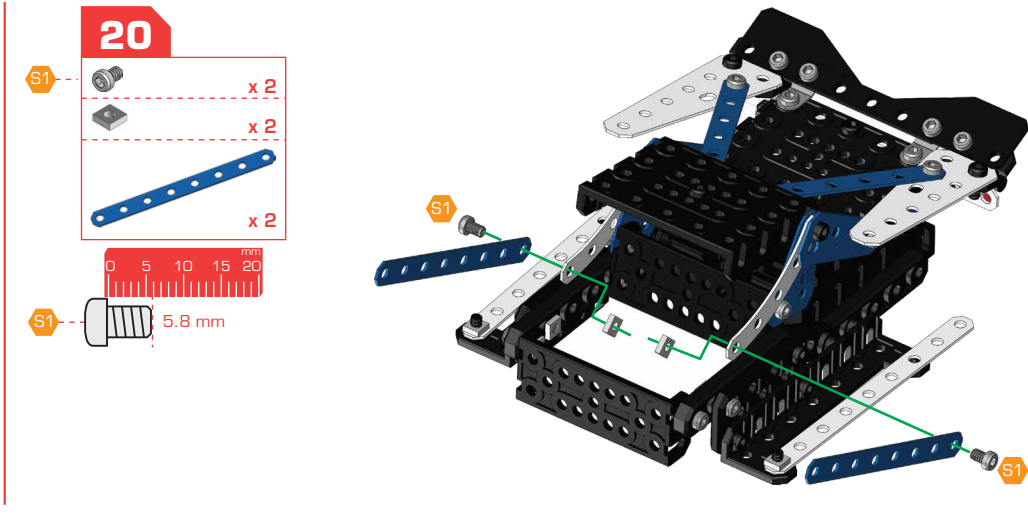
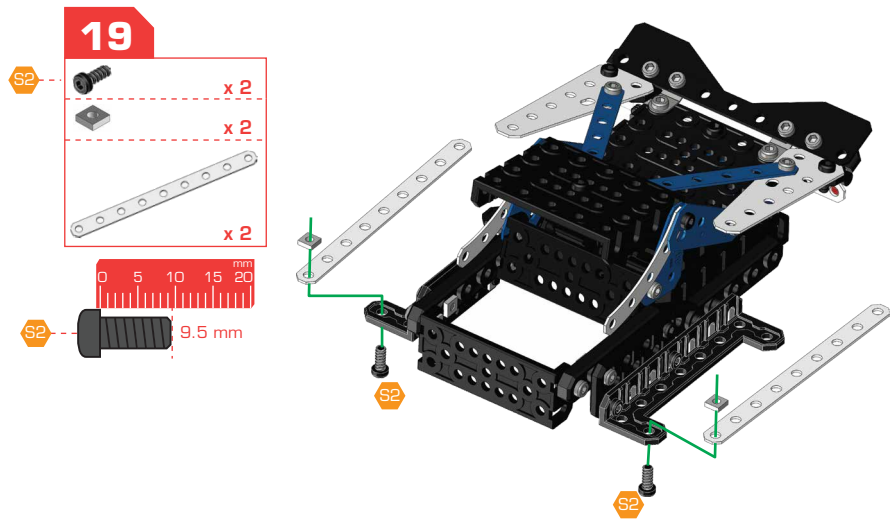


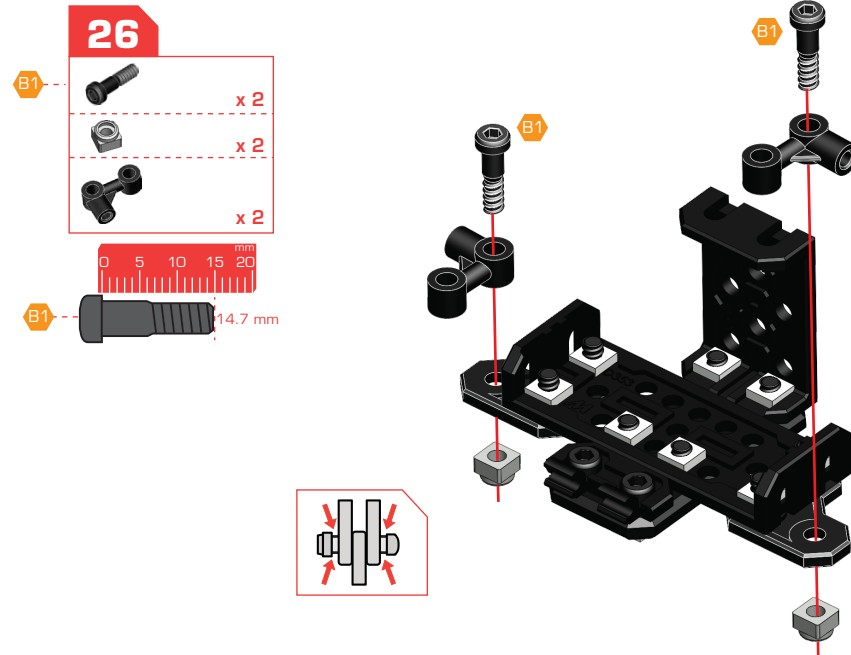
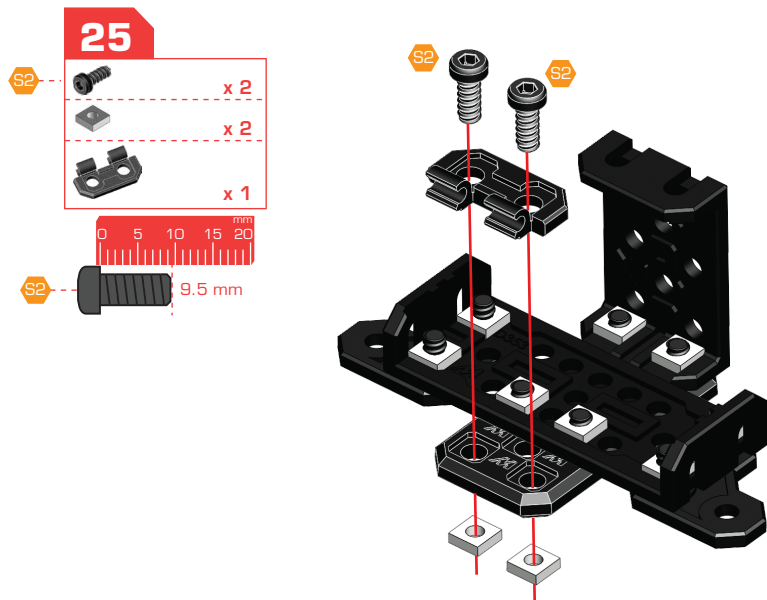
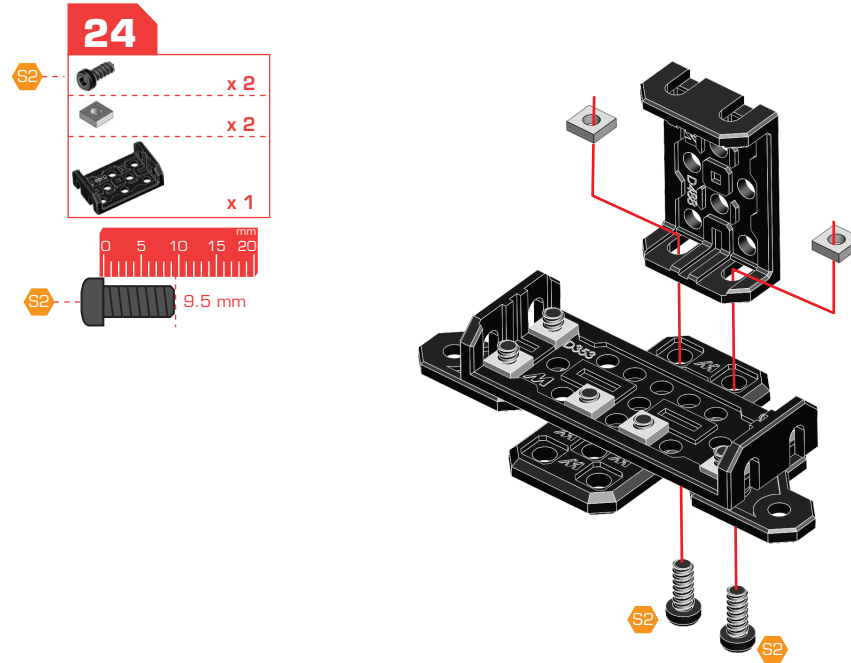
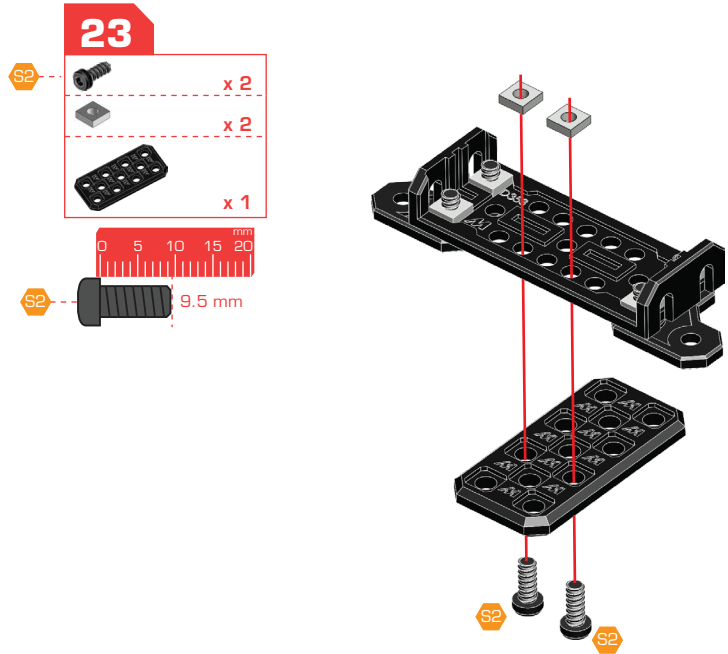
- 18**
- S3 x 2
 - x 2
 - x 1



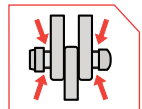
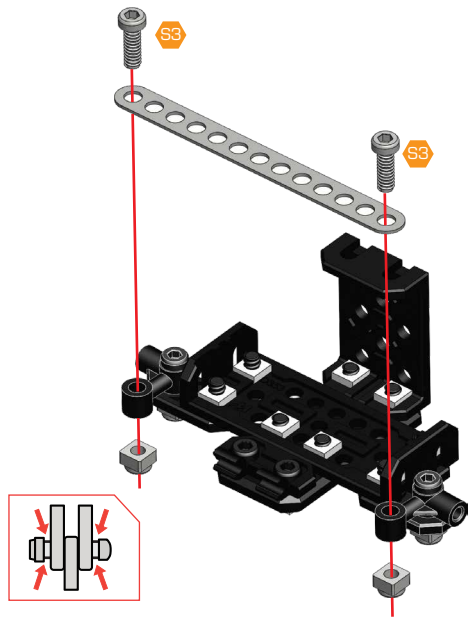
S3 12 mm



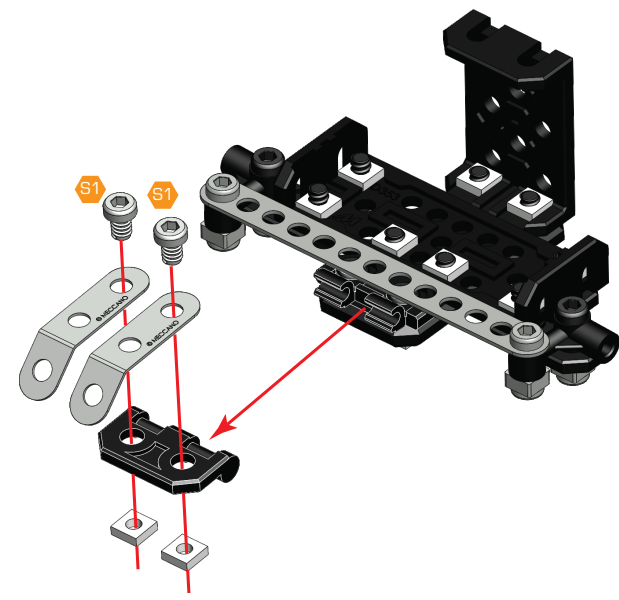




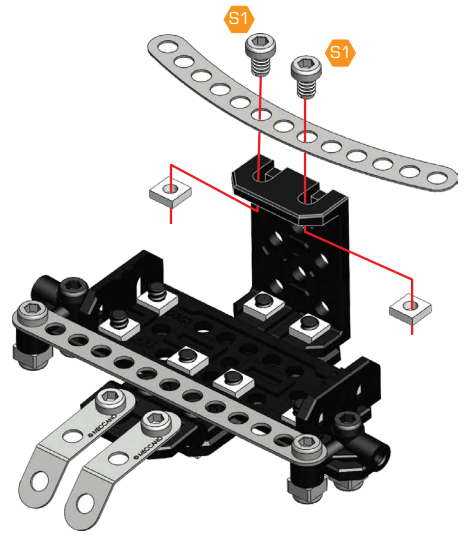
- 27**
- S3 x 2
 - x 2
 - x 1
-
- S3 12 mm



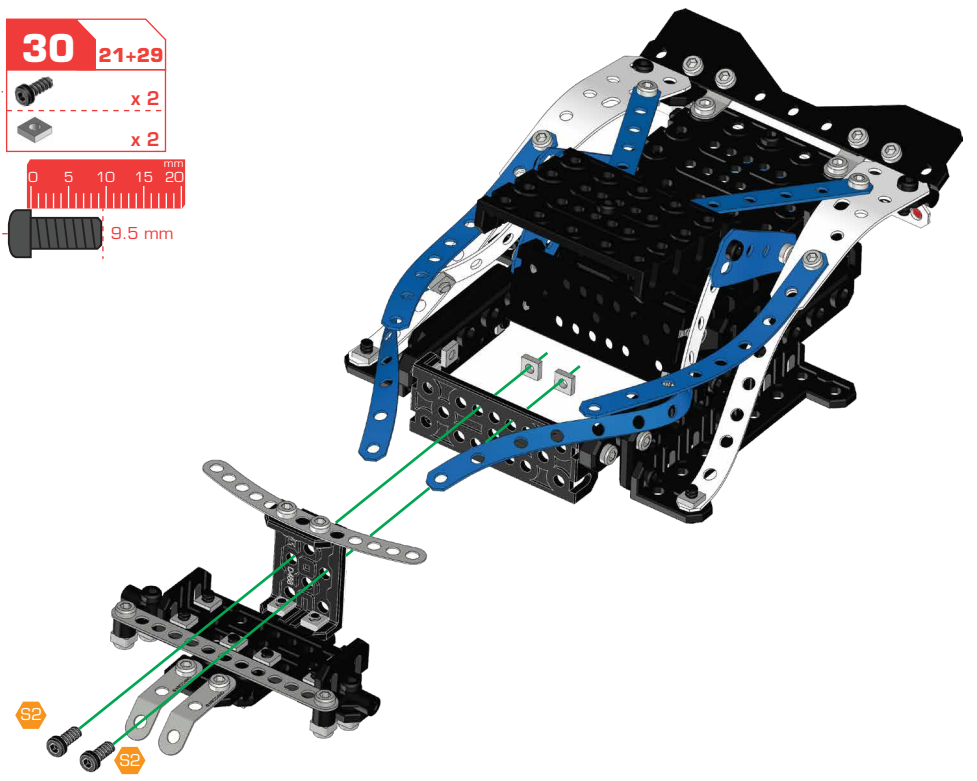
- 28**
- S1 x 2
 - x 2
 - x 1
 - x 2
-
- S1 5.8 mm



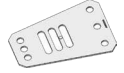




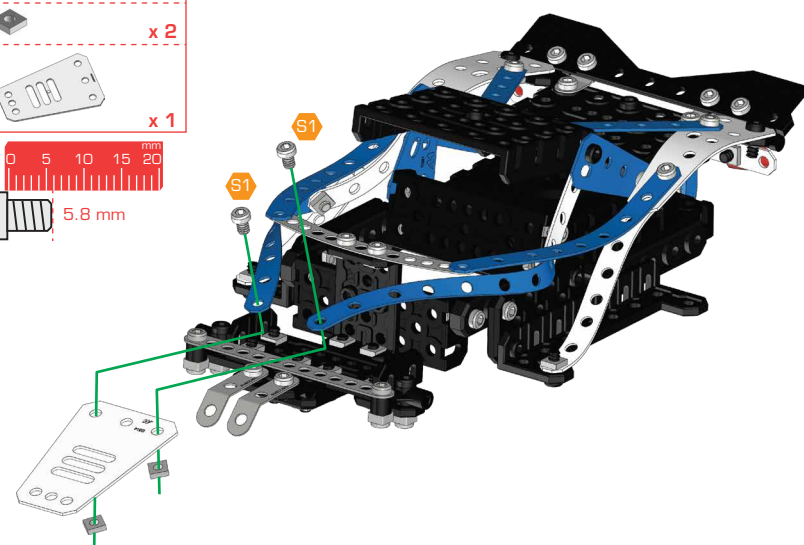
- 29**
- S1 x 2
 - x 2
 - x 1
-
- S1 5.8 mm








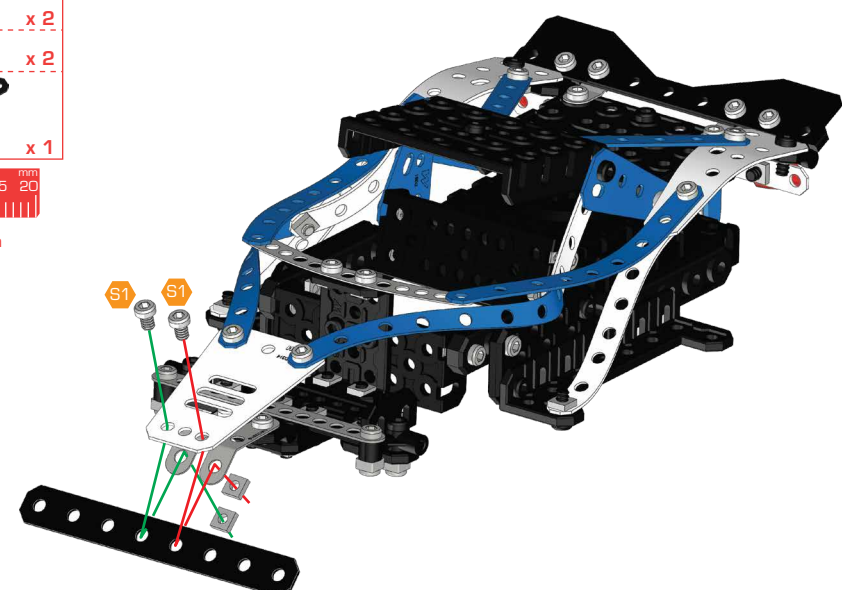
- 30** 21+29
- S2 x 2
 - x 2
-
- S2 9.5 mm




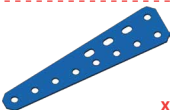




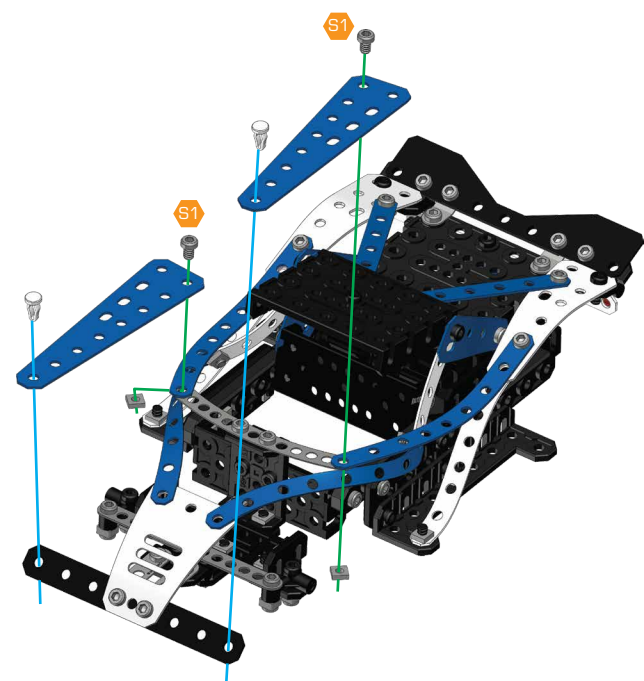
- 31**
-  x 2
 -  x 2
 -  x 1
-  0 5 10 15 20 mm
-  5.8 mm








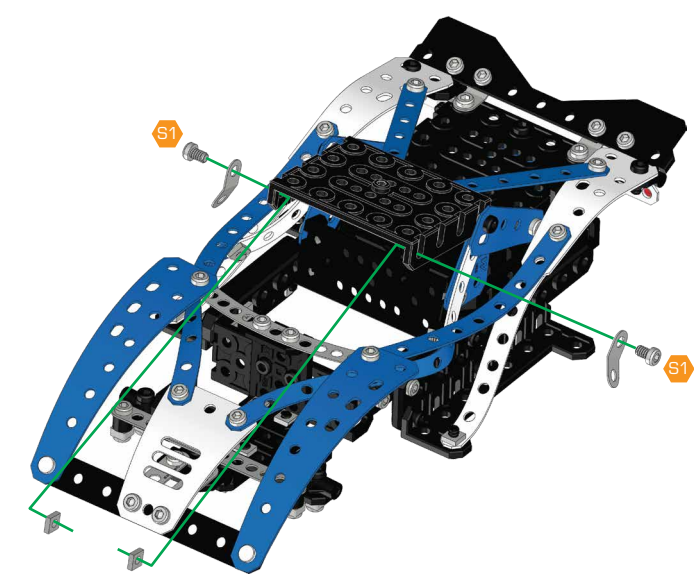
- 32**
-  x 2
 -  x 2
 -  x 1
-  0 5 10 15 20 mm
-  5.8 mm

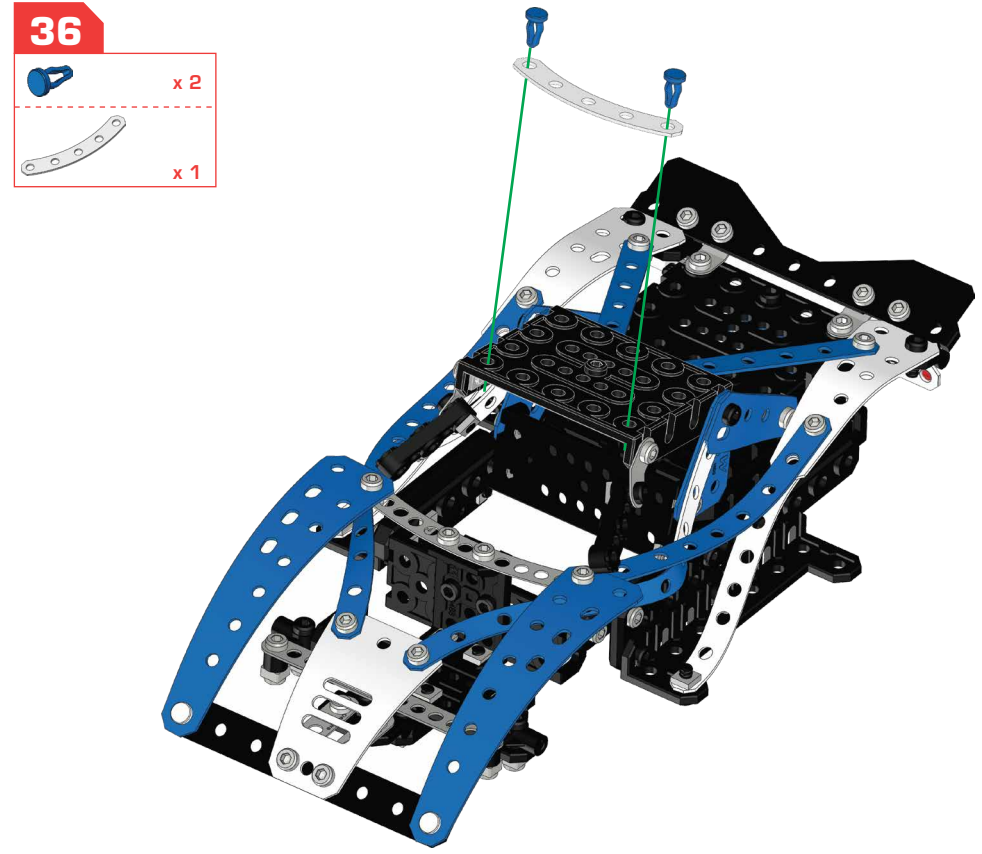
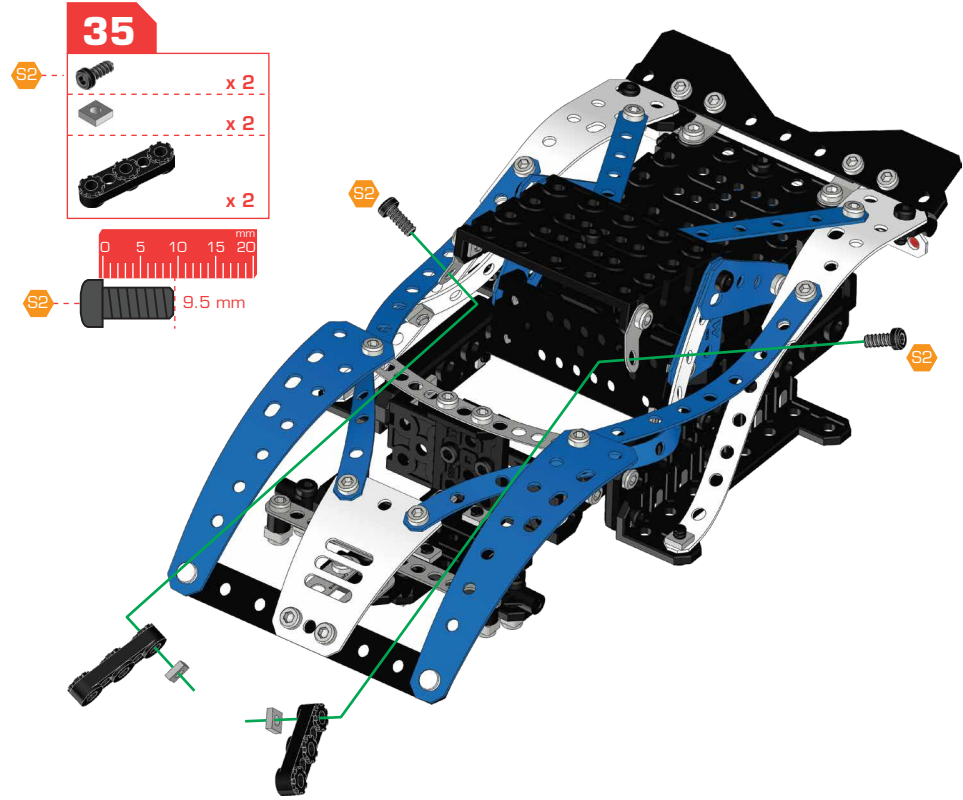






- 33**
-  x 2
 -  x 2
 -  x 2
 -  x 2
-  0 5 10 15 20 mm
-  5.8 mm

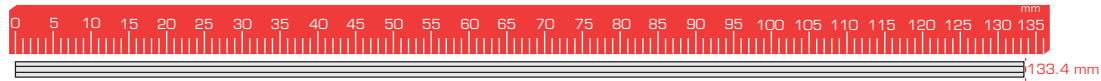
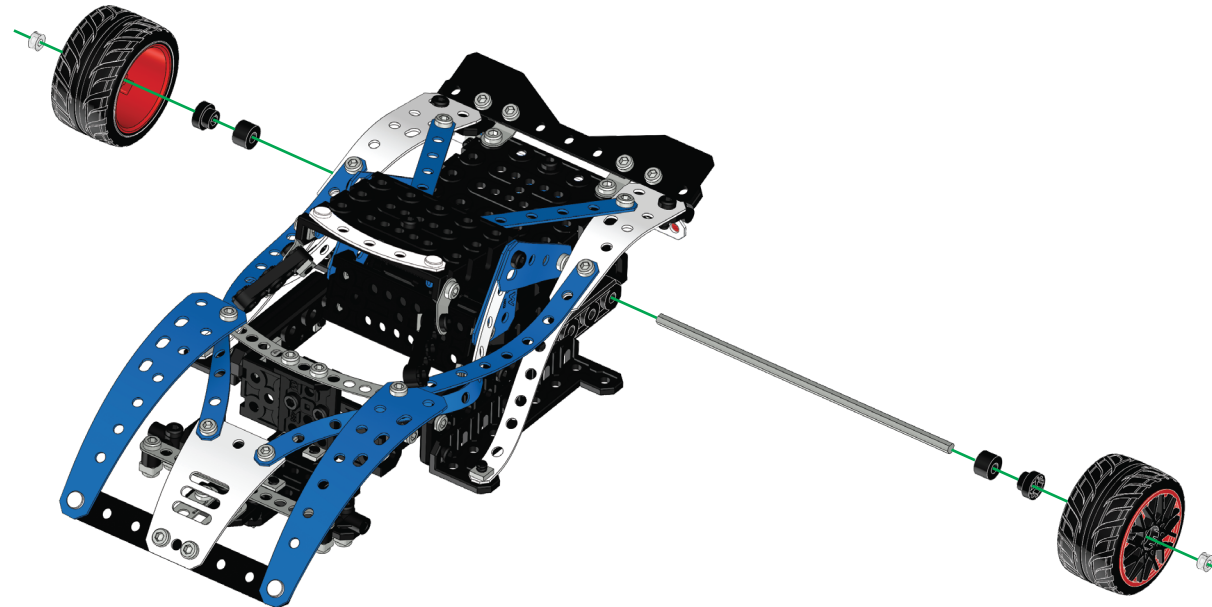





- 34**
-  x 2
 -  x 2
 -  x 2
-  0 5 10 15 20 mm
-  5.8 mm





- 38** **36+37**
-  x 2
 -  x 2
 -  x 2
 -  x 1



- 39** **37+38**
-  x 2
 -  x 2
 -  x 2

