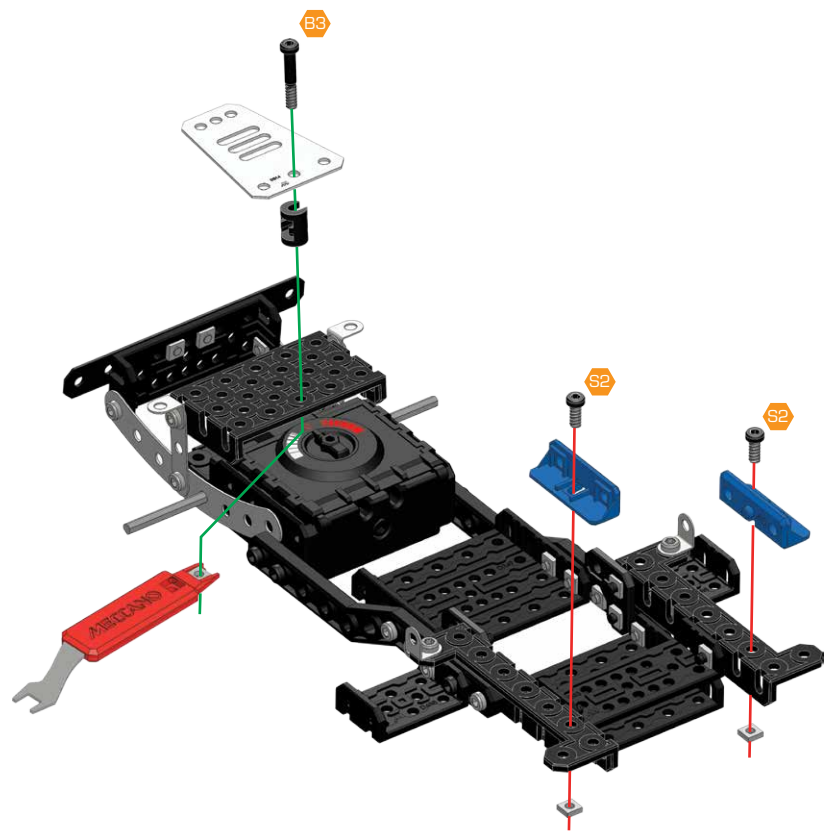
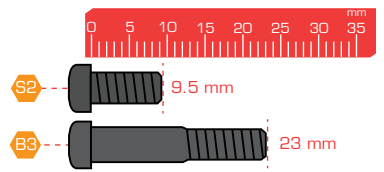


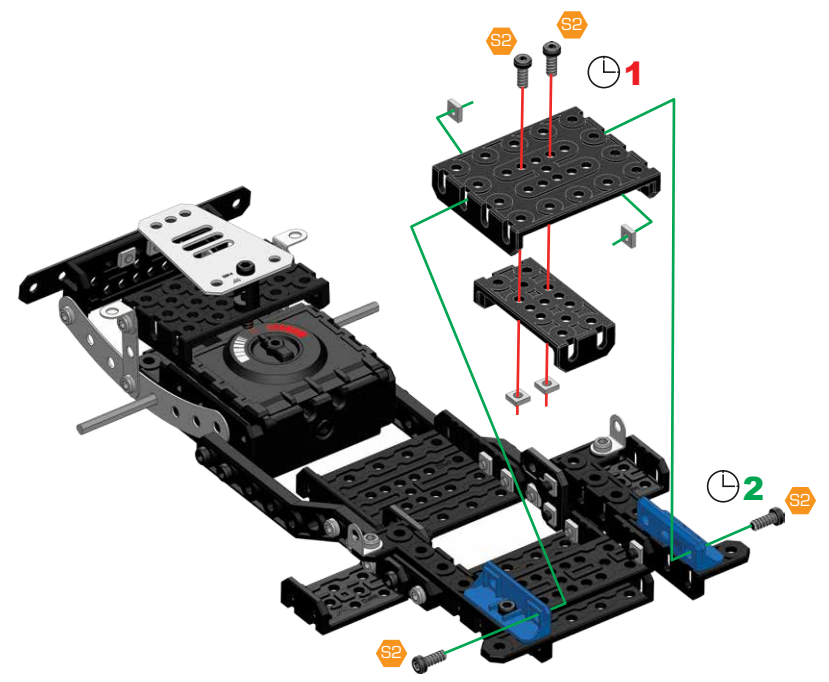
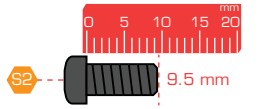
10

- S2 x 2
- B3 x 1
- x 3
- x 1
- x 2
- x 1



11

- S2 x 4
- x 4
- x 1
- x 1

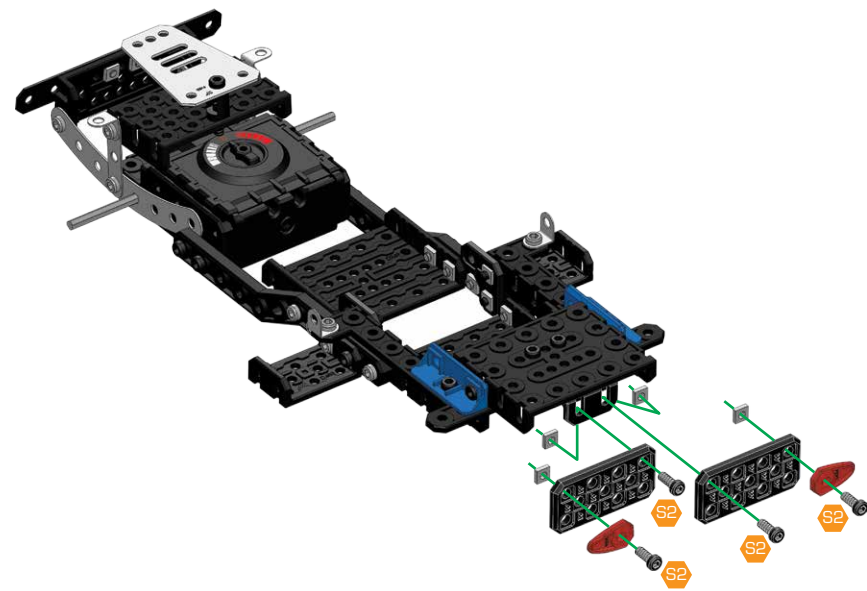


12

S2		x 4
		x 4
		x 2
		x 2

0 5 10 15 20 mm

S2



13

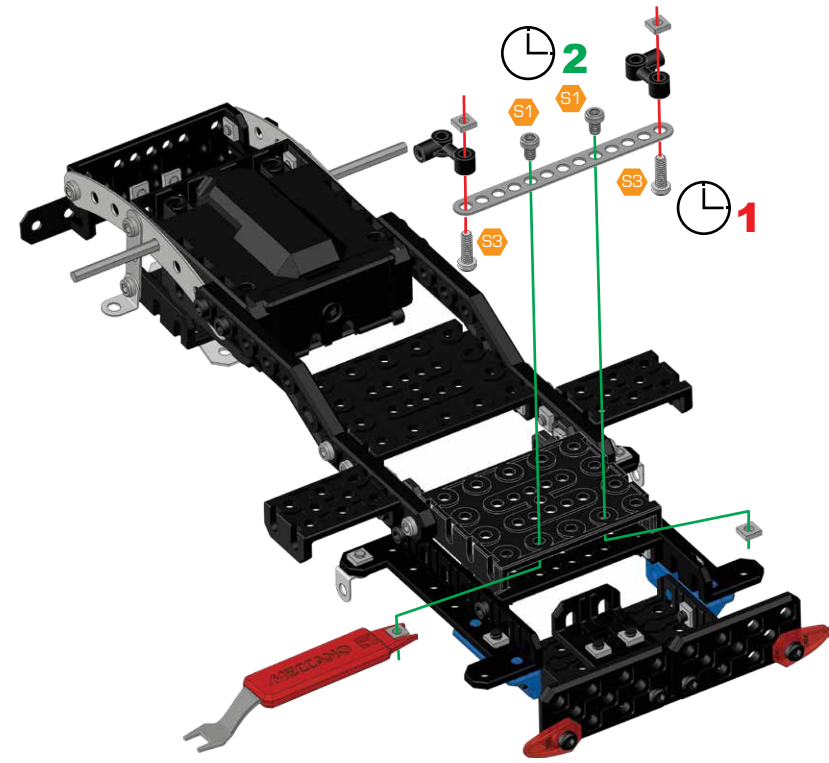
S1		x 2
S3		x 2
		x 4
		x 2
		x 1

0 5 10 15 20 mm

S1

S3

180°



14

- S1 x 4
- x 4
- x 2
- x 2

180°

0 5 10 15 20 mm

S1 5.8 mm

15

- S1 x 3
- B1 x 1
- x 4
- x 1
- x 1
- x 1
- x 1
- x 1
- x 2

0 5 10 15 20 mm

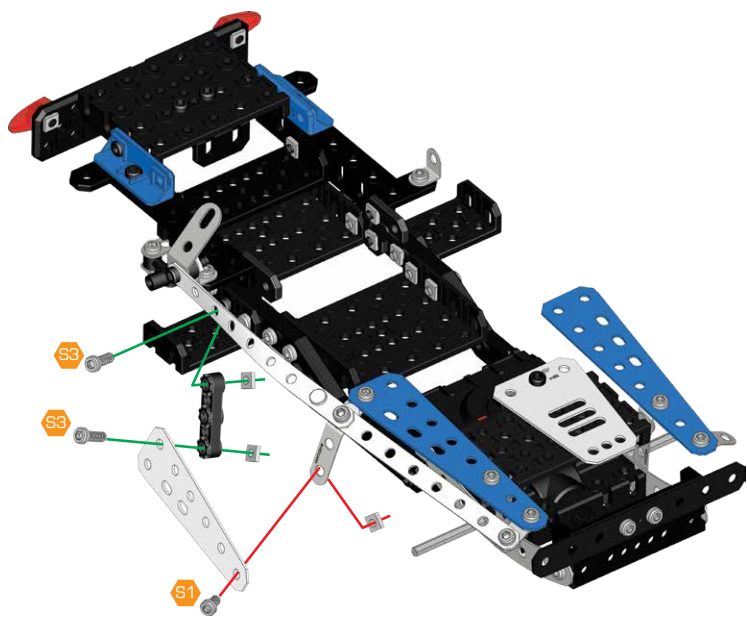
S1 5.8 mm

B1 14.7 mm

16

S1		x 1
S3		x 2
		x 3
		x 1
		x 1

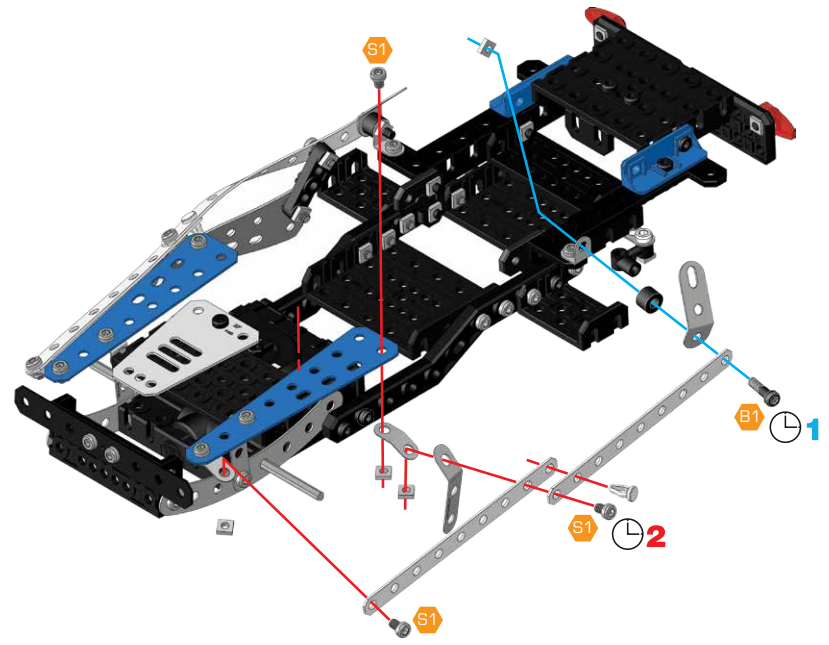
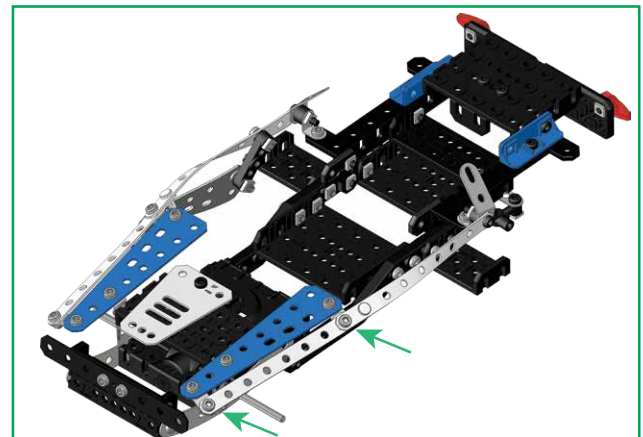
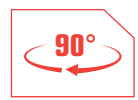
5.8 mm
 12 mm








17



S1		x 3
B1		x 1
		x 4
		x 1
		x 1
		x 1
		x 1
		x 2

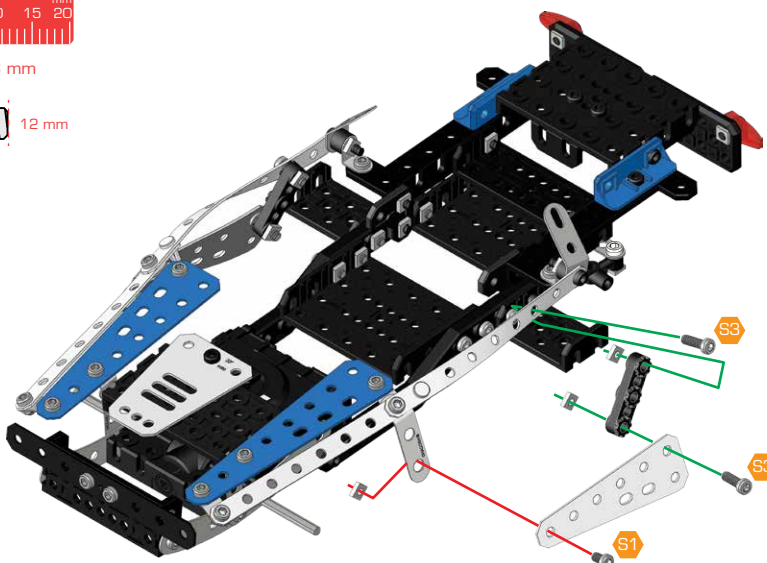
5.8 mm
 14.7 mm





18

	x 1
	x 2
	x 3
	x 1
	x 1


 5.8 mm
 12 mm




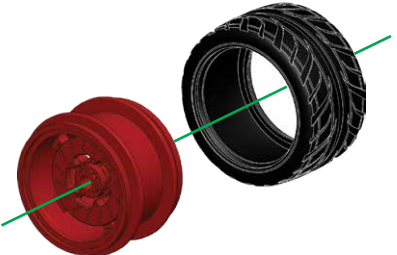
19

	x 4
	x 4






x2




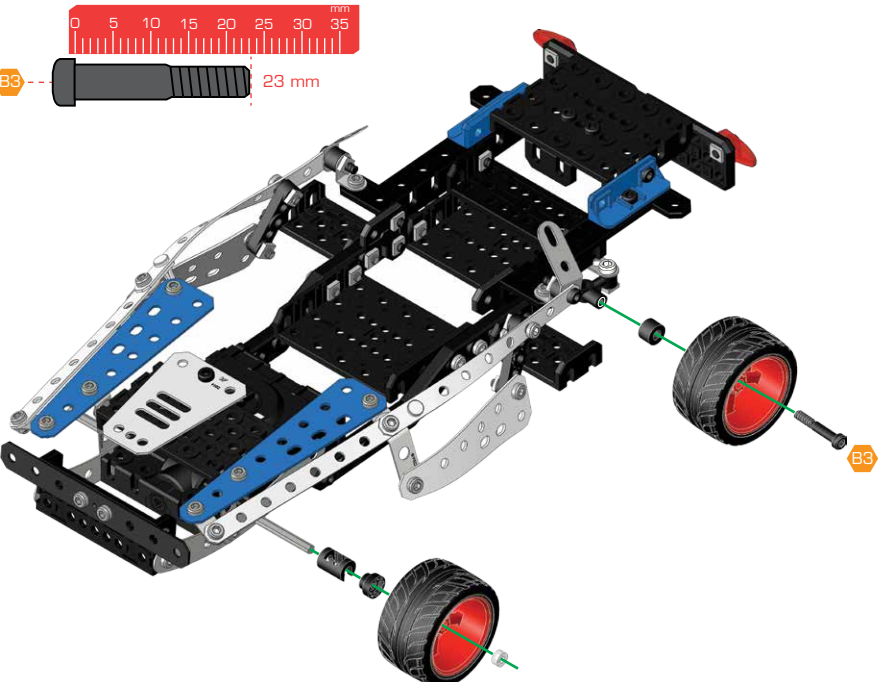
x2

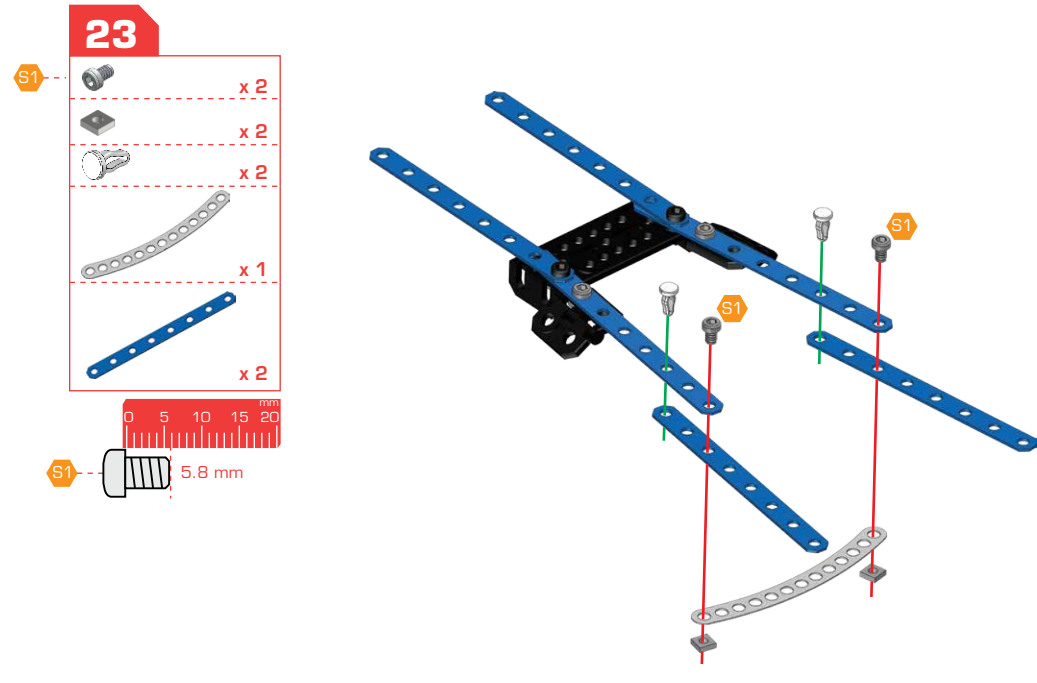
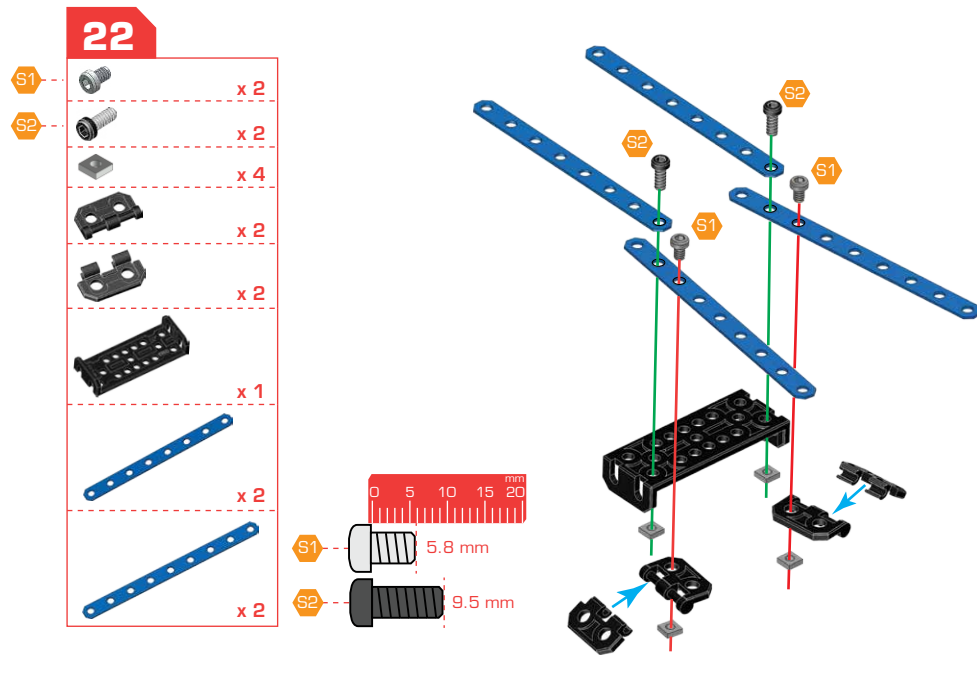
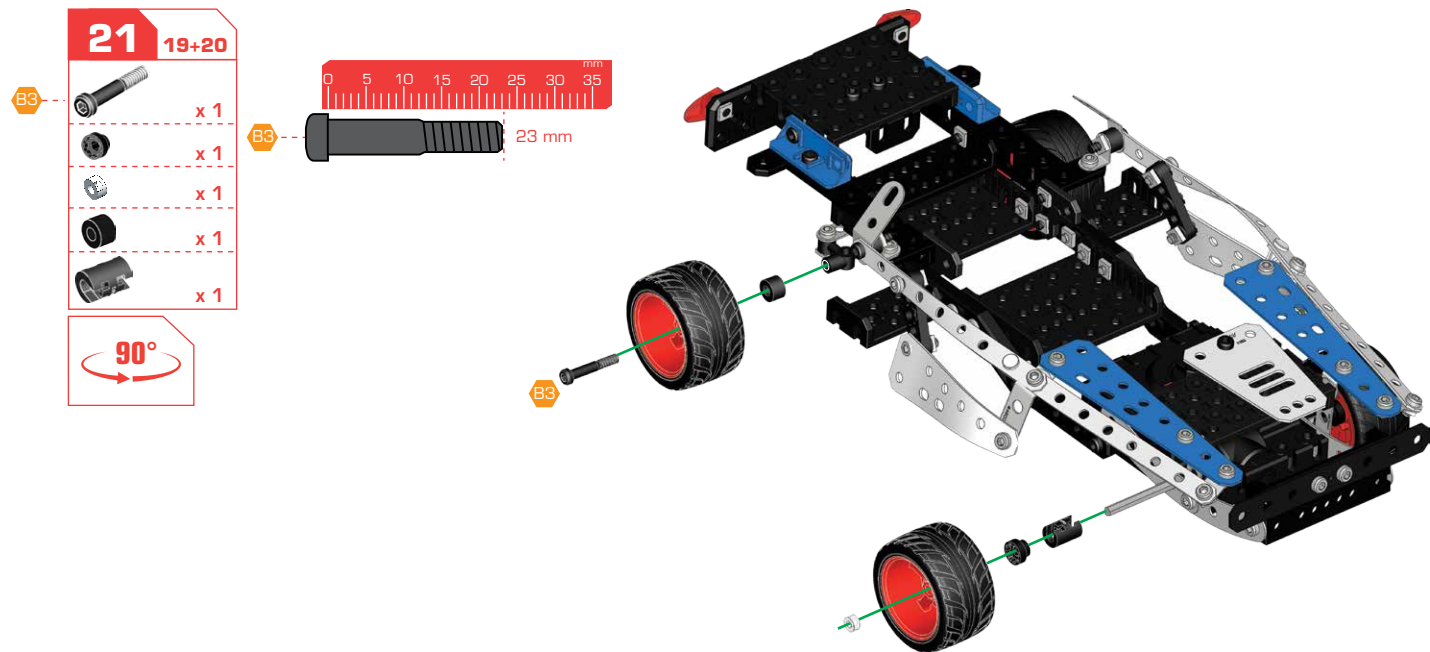



20 18+19

	x 1
	x 1
	x 1
	x 1
	x 1

 23 mm



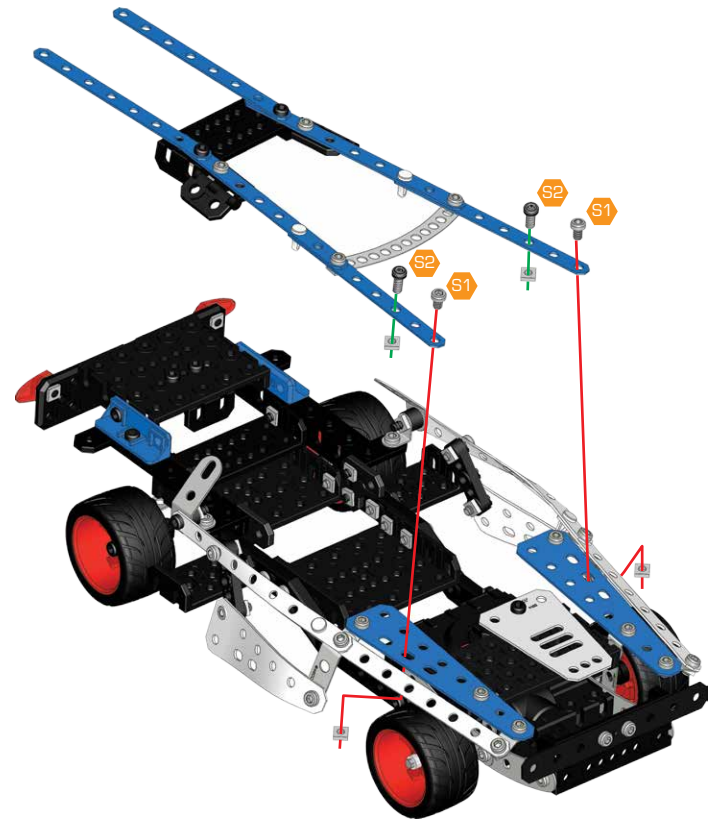


24 21+23

S1		x 2
S2		x 2
		x 4

S1 5.8 mm

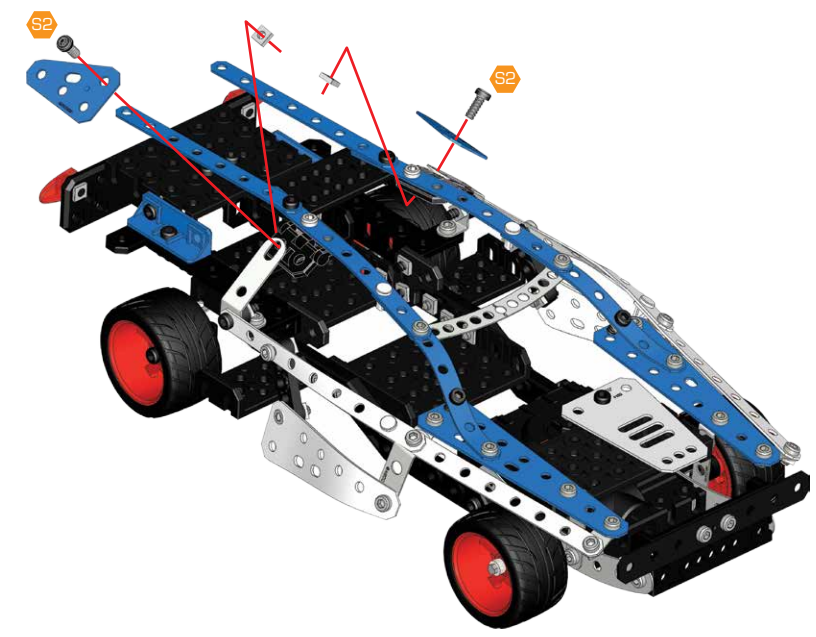
S2 9.5 mm







25


S2		x 2
		x 2
		x 2


S2 9.5 mm

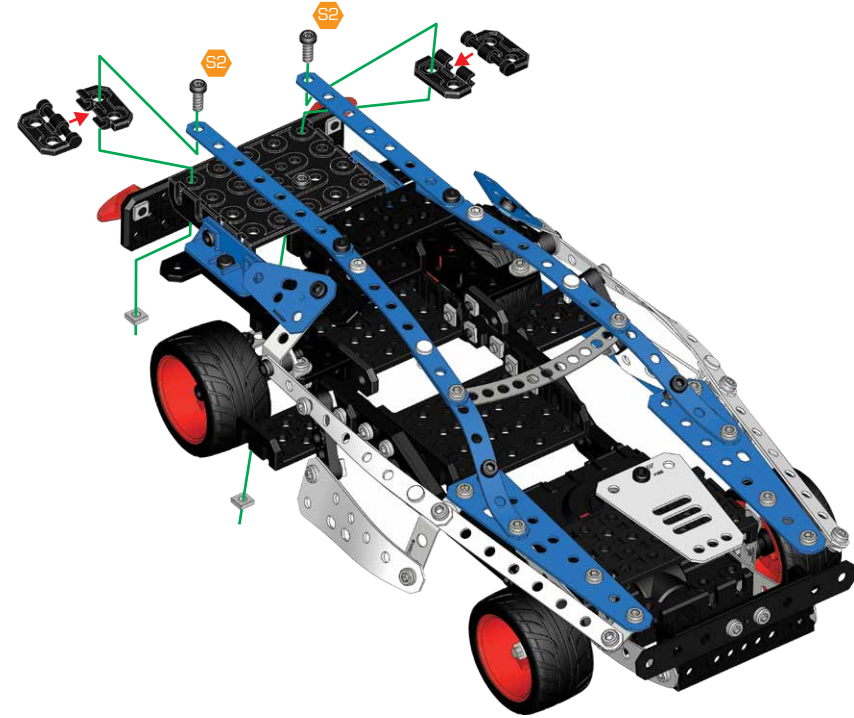


26








- S2  x 2
-  x 2
-  x 2
-  x 2


 0 5 10 15 20 mm

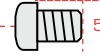
S2  9.5 mm




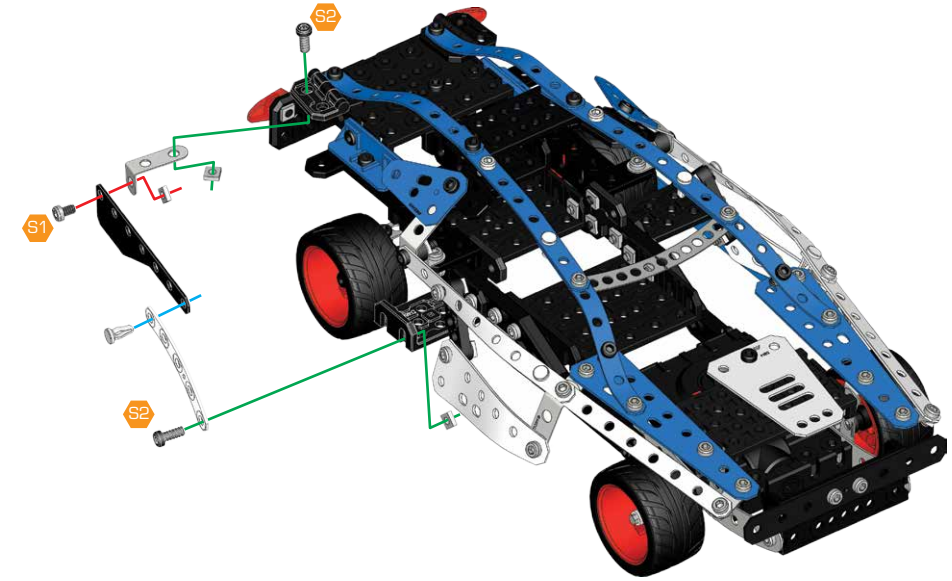
27

- S1  x 1
- S2  x 2
-  x 3
-  x 1
-  x 1
-  x 1
-  x 1



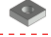




 0 5 10 15 20 mm

S1  5.8 mm

S2  9.5 mm



28

-  x 1
-  x 2
-  x 3
-  x 1
-  x 1
-  x 1
-  x 1

