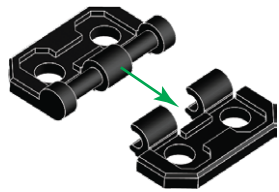
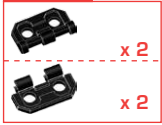
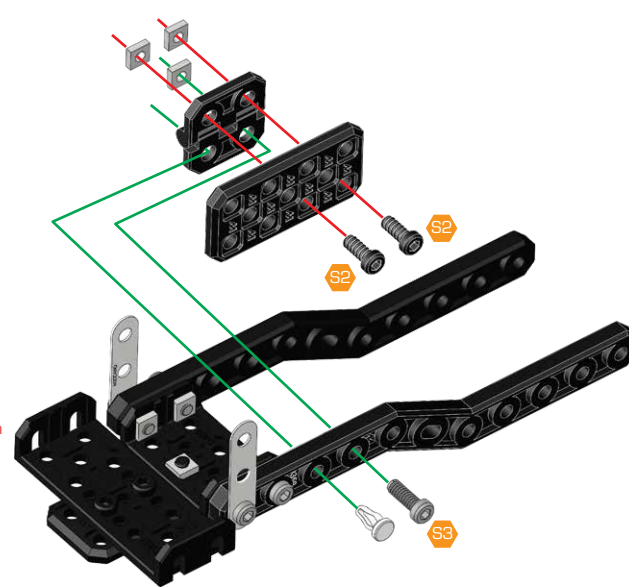
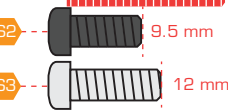
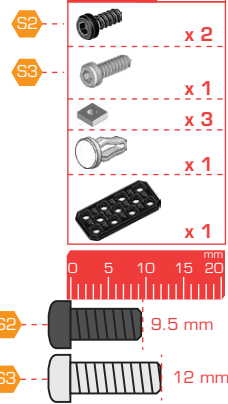


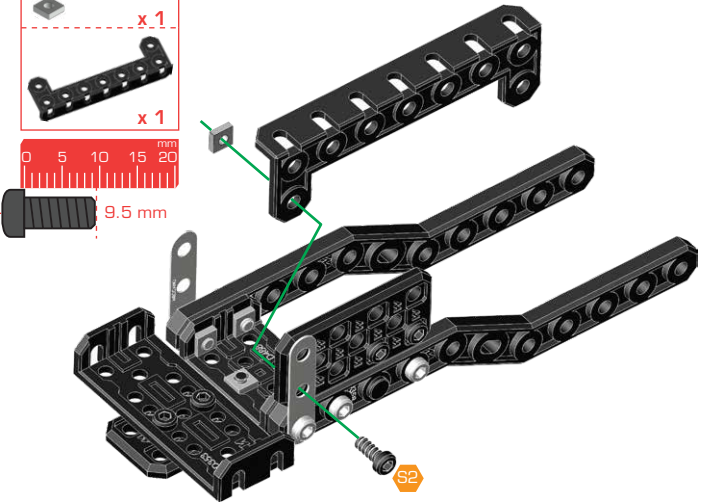
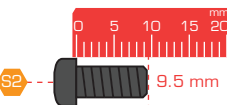
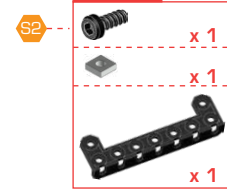
**5**



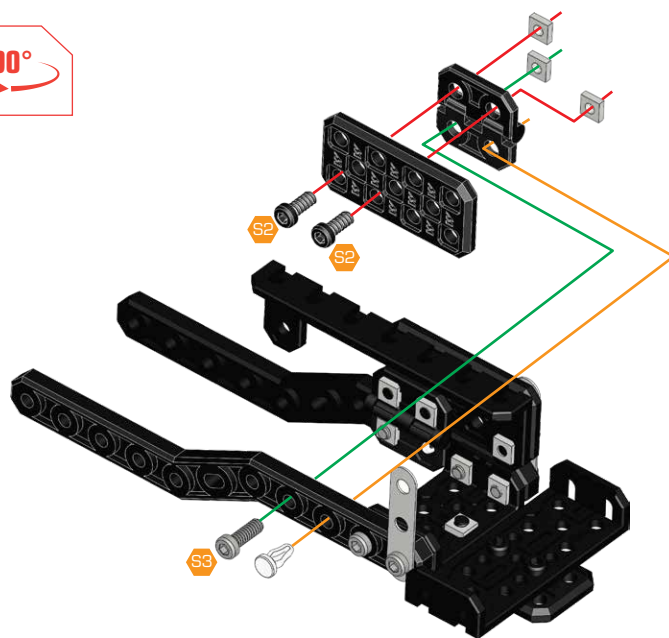
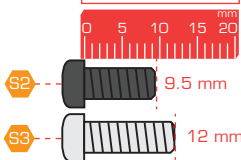
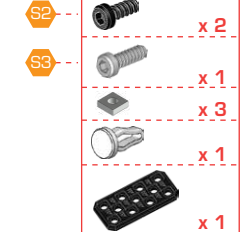
**6** 4+5



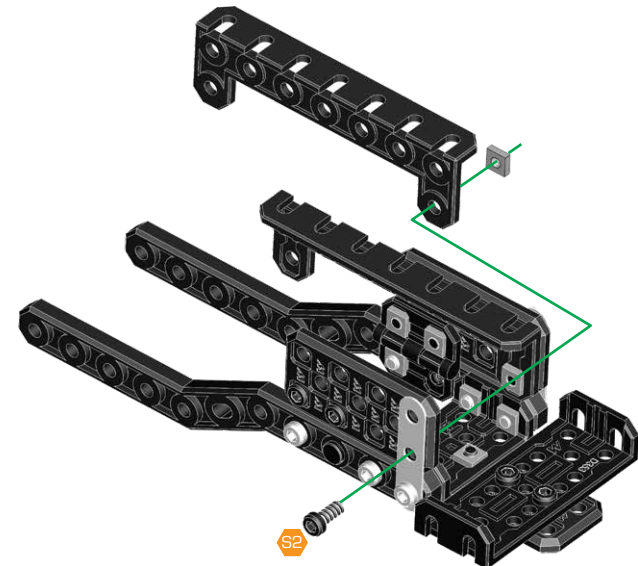
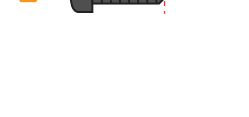
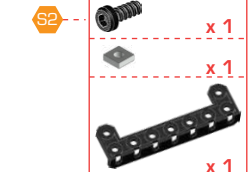
**7**



**8** 5+7



**9**



**10**

- S1 x 3
- x 3
- x 1
- x 2
- x 1
- x 1

5.8 mm

**11**

- S1 x 3
- x 3
- x 1
- x 2
- x 1

90°

5.8 mm

**12**

- S1 x 2
- x 2
- x 1

90°

5.8 mm

**13** 9+12

- S2 x 4
- x 4

90°

9.5 mm

