



**1**

x 1

+

-

+

-

5

**2**

S2 x 2

x 2

x 1

x 1

0 5 10 15 20 mm

S2 9.5 mm

**3**

S2 x 2

x 2

x 2

x 2

0 5 10 15 20 mm

S2 9.5 mm

**4**

S3 x 2

B1 x 2

x 4

x 2

x 1

0 5 10 15 20 mm

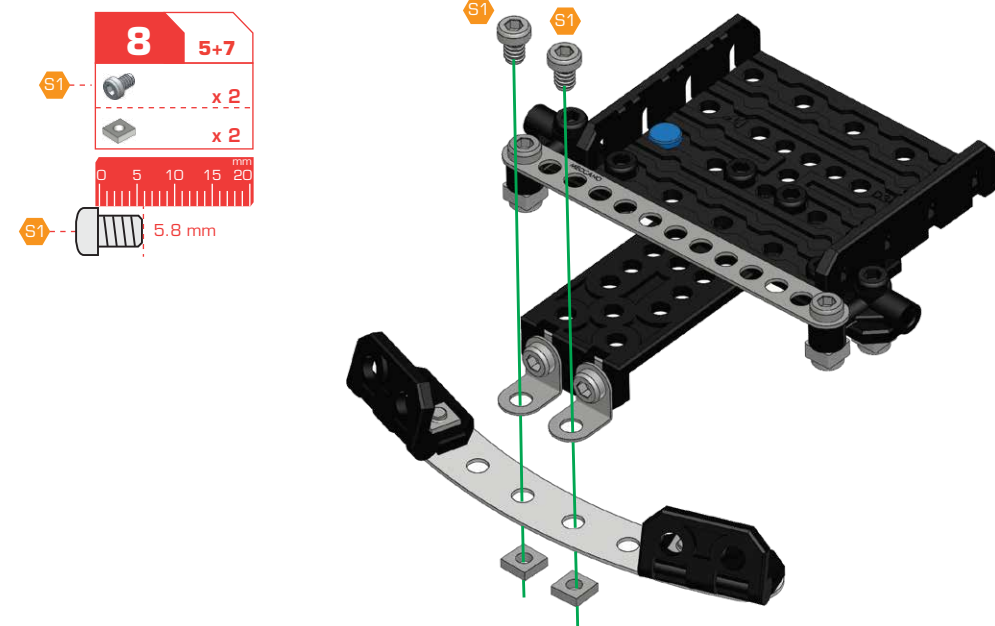
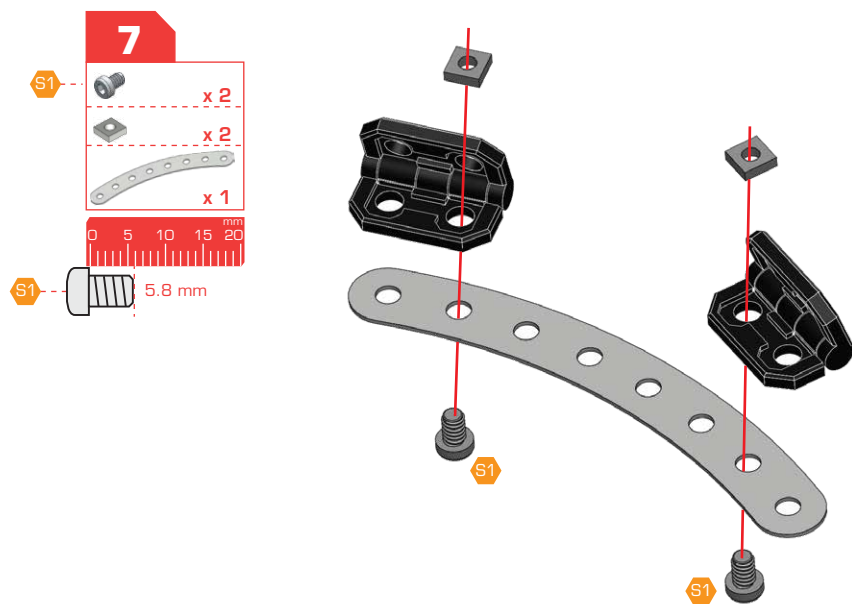
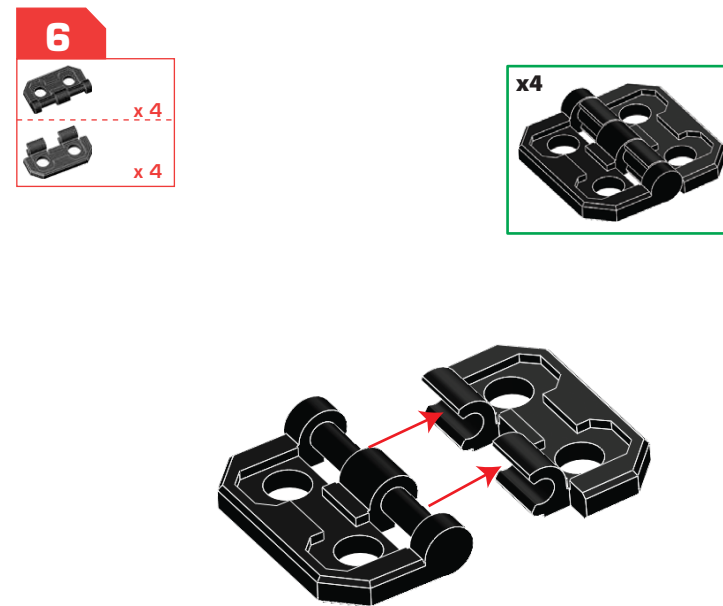
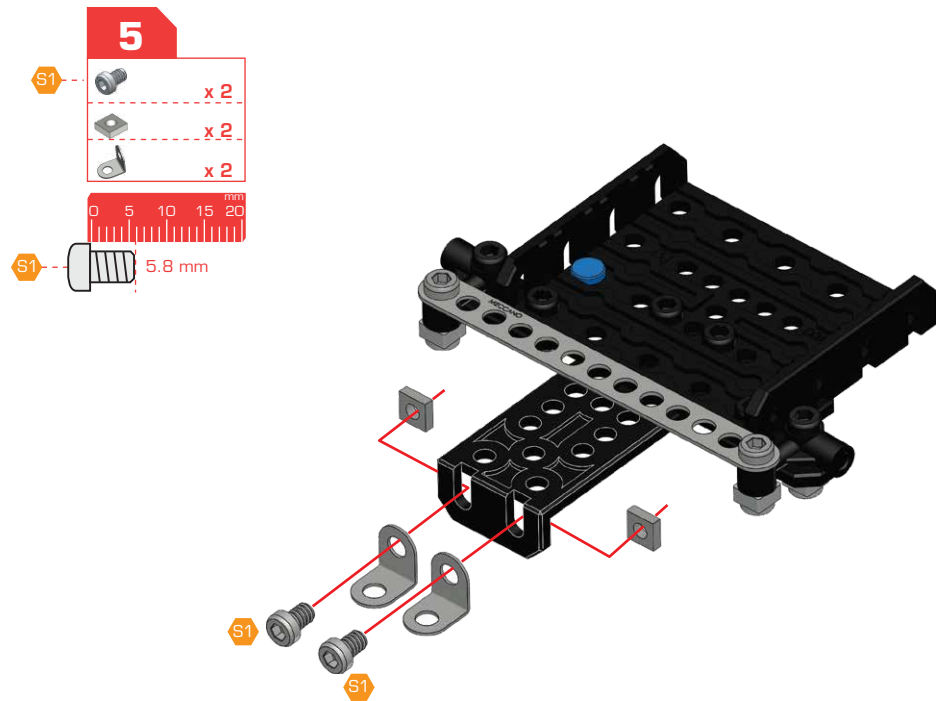
S3 12 mm

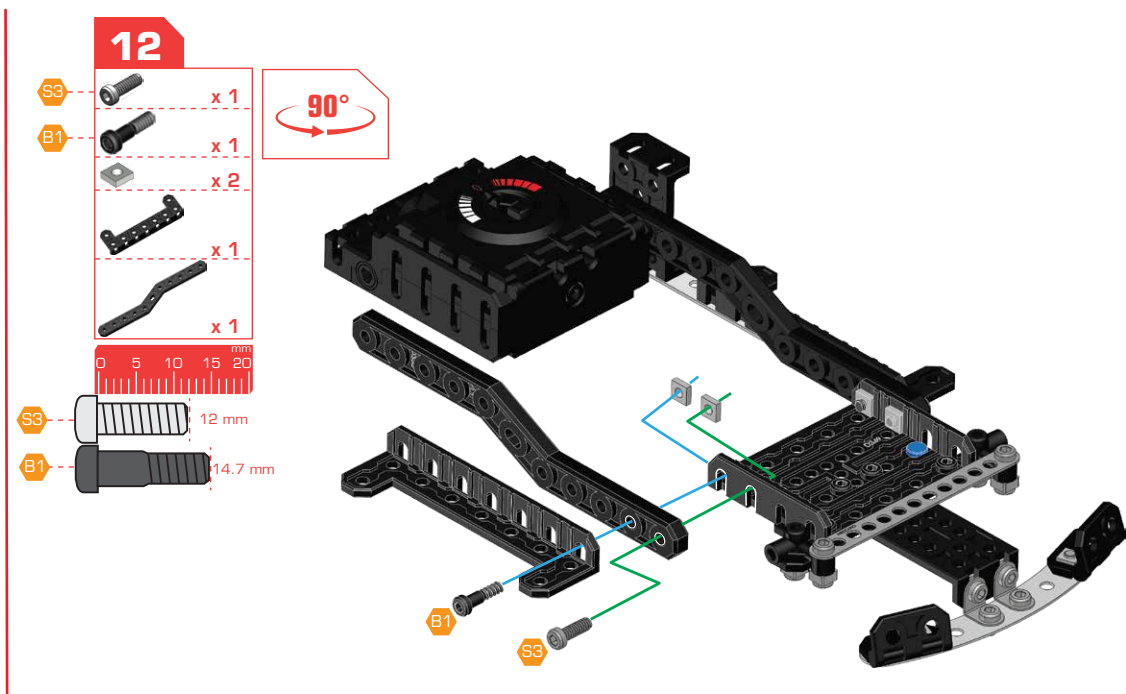
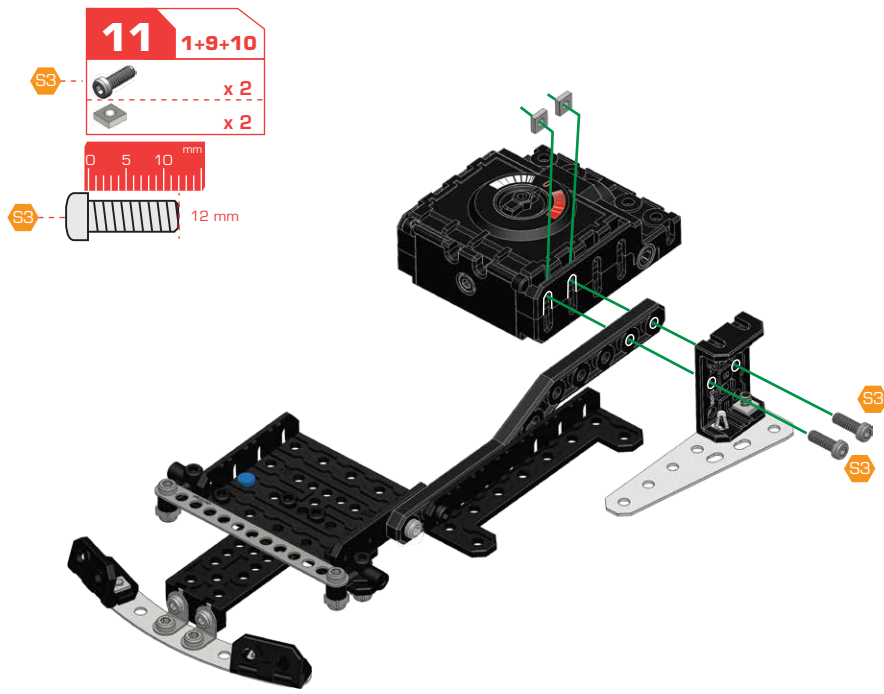
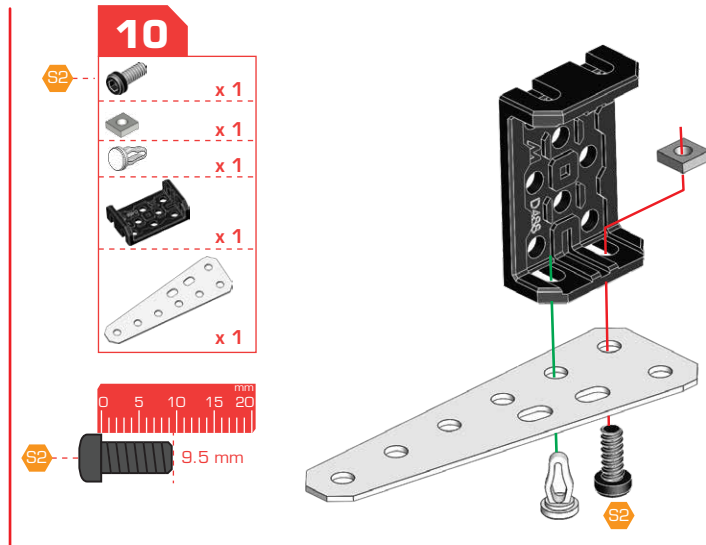
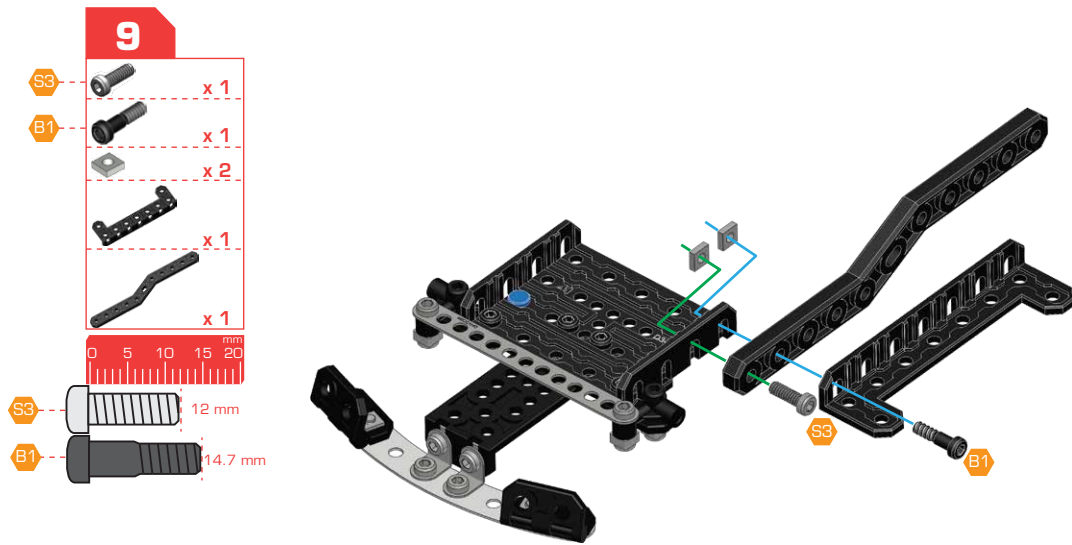
B1 14.7 mm

S3 B1

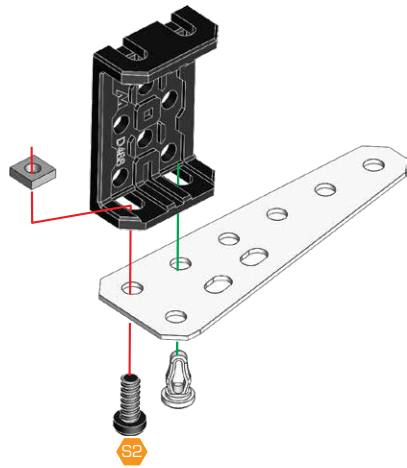
S3 B1

S3 B1

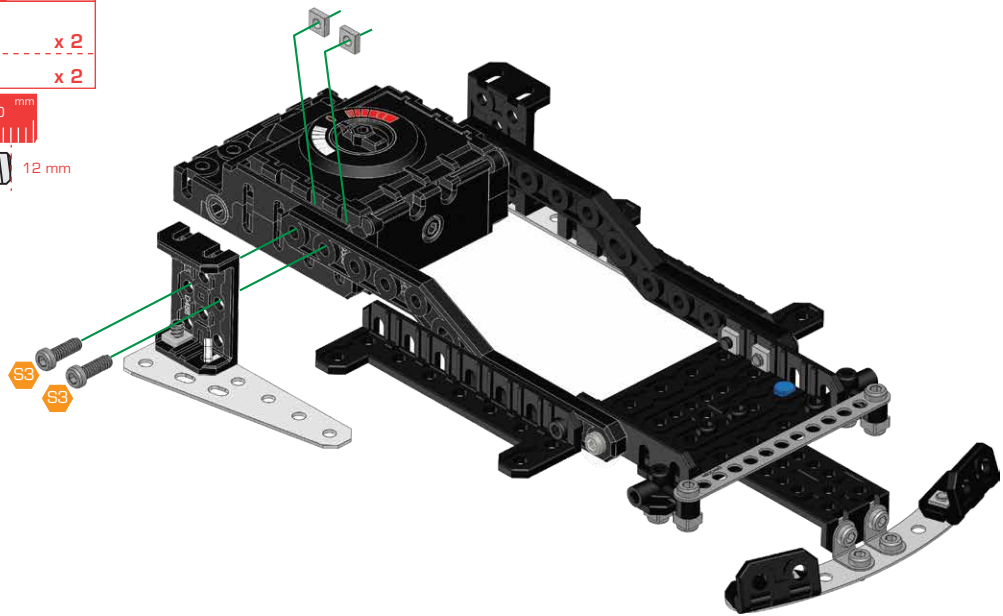




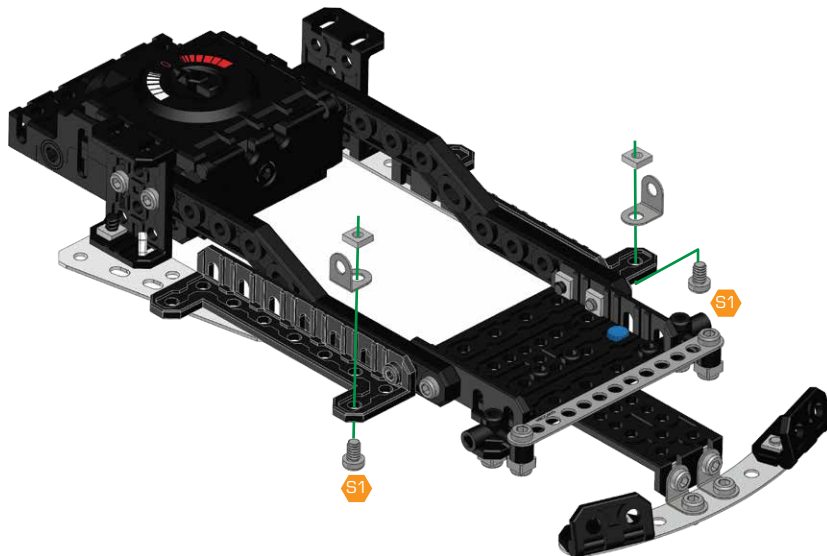
- 13**
- S2 x 1
  - x 1
  - x 1
  - x 1
  - x 1
- 0 5 10 15 20 mm
- S2 9.5 mm



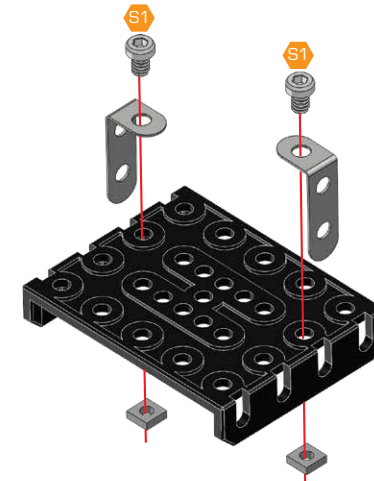
- 14** 12+13
- S3 x 2
  - x 2
  - 0 5 10 mm
  - S3 12 mm

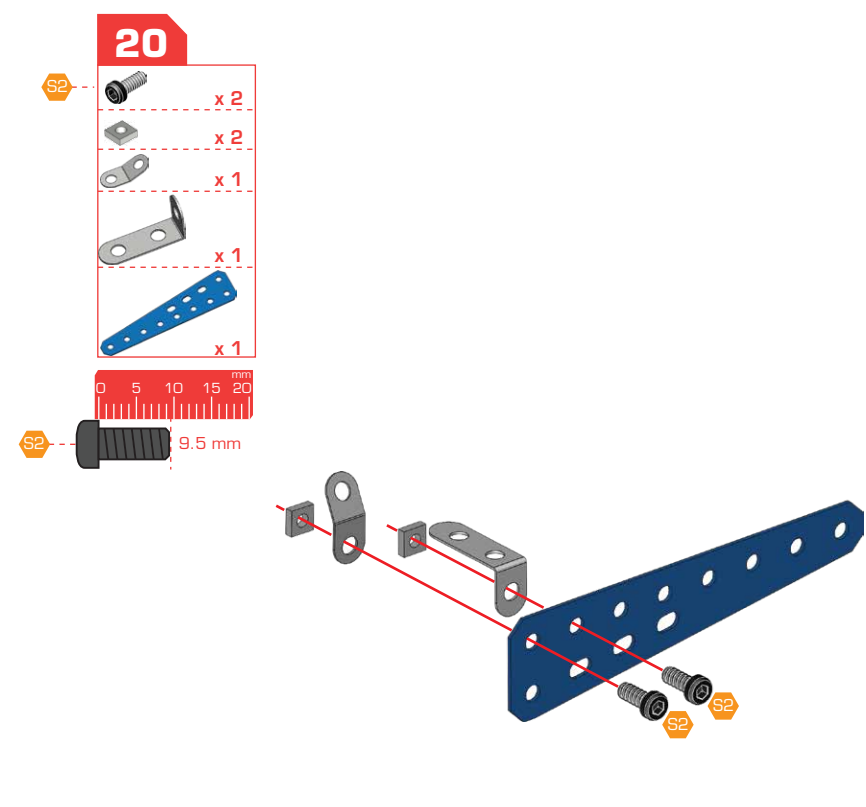
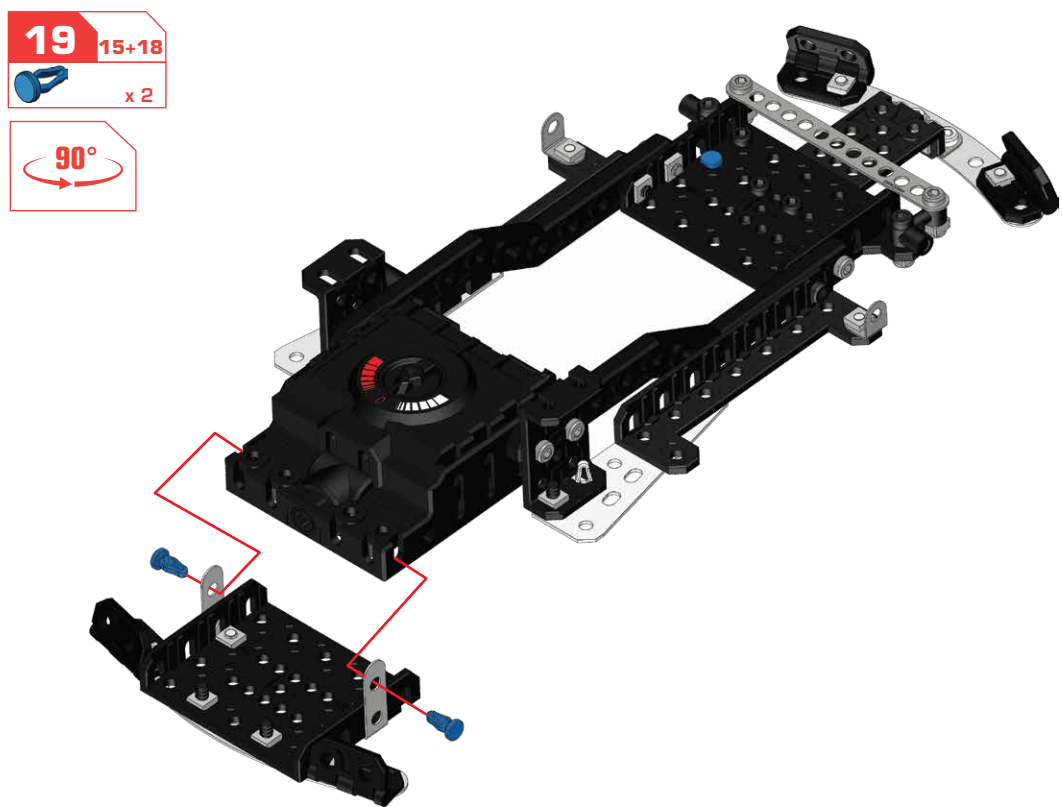
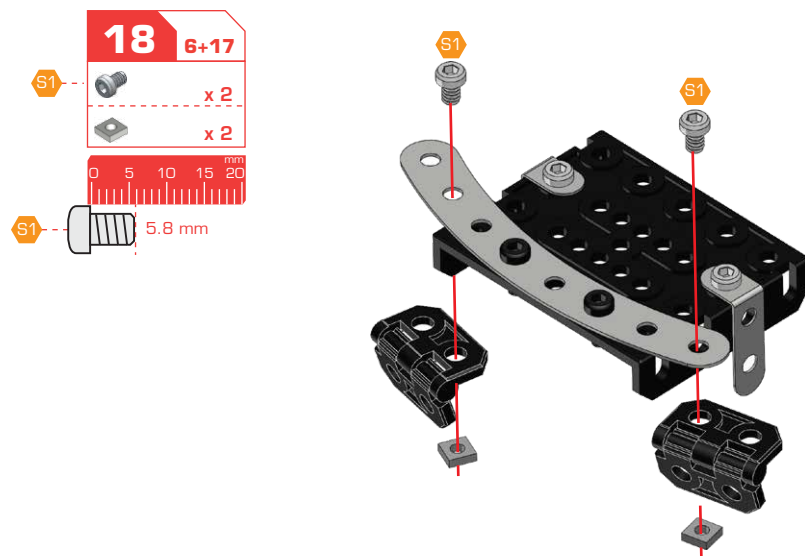
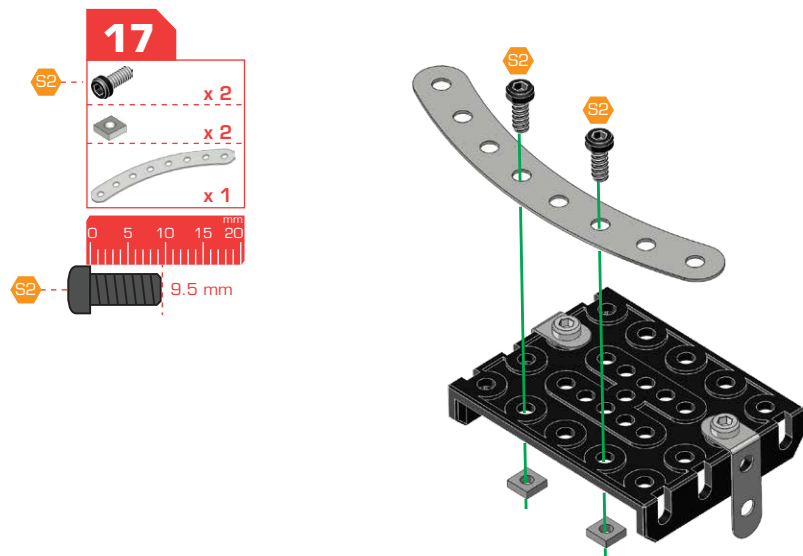


- 15**
- S1 x 2
  - x 2
  - x 2
  - 0 5 10 15 20 mm
  - S1 5.8 mm



- 16**
- S1 x 2
  - x 2
  - x 2
  - x 1
  - 0 5 10 15 20 mm
  - S1 5.8 mm





**21** 19+20

180°

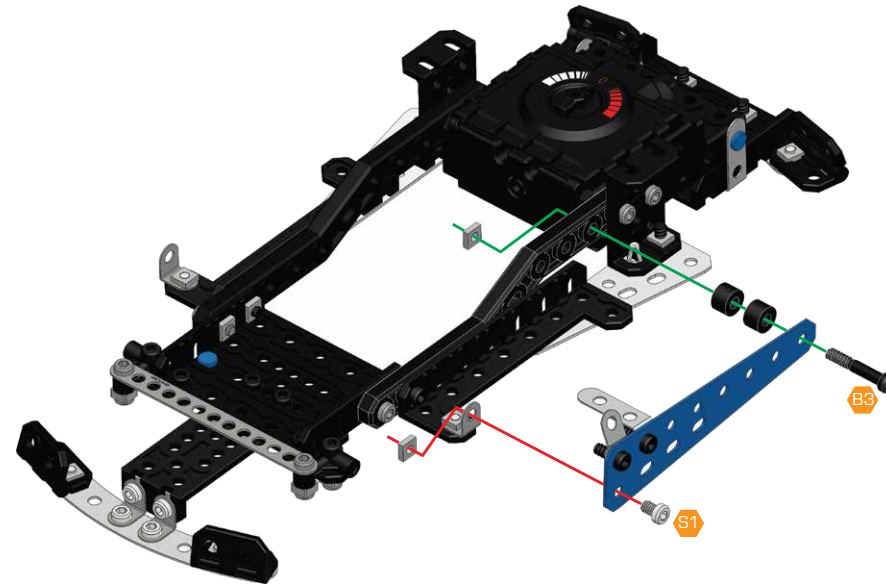
- S1 x 1
- B3 x 1
- x 2
- x 2

0 5 10 15 20 25 30 mm

S1 5.8 mm

B3 23 mm

A238 1:1

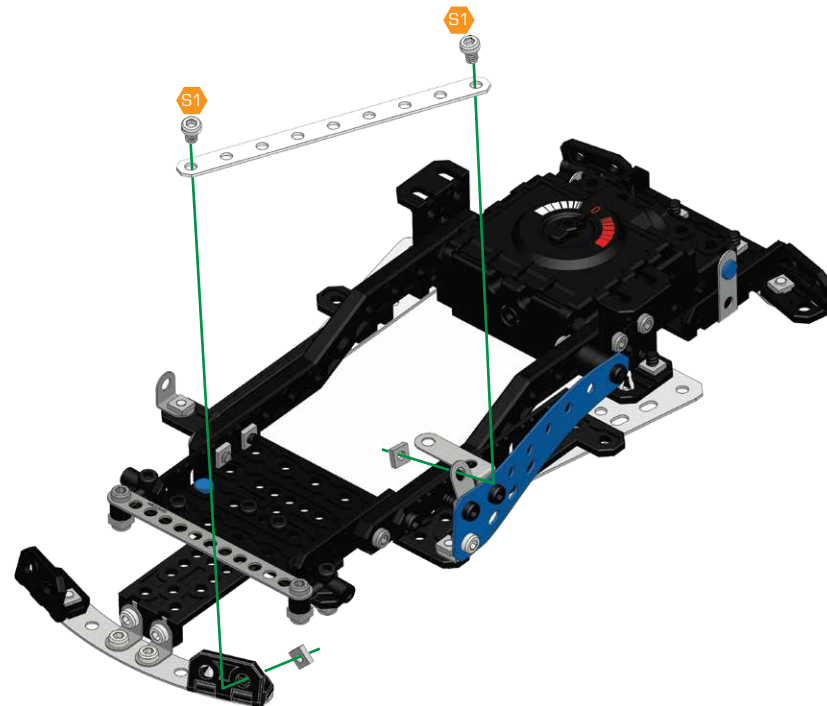


**22**

- S1 x 2
- x 2
- x 1

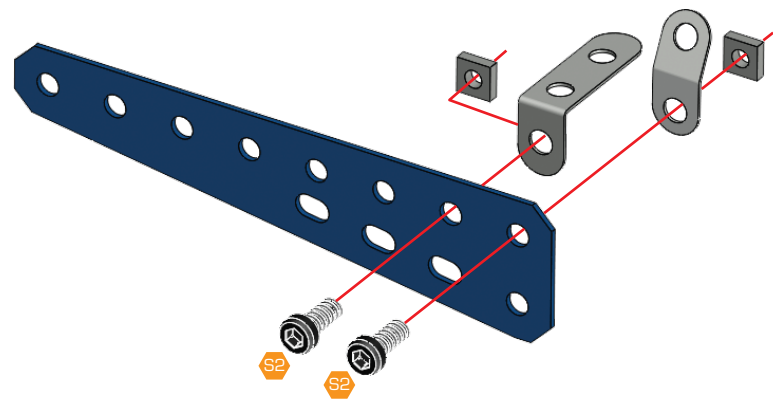
0 5 10 mm

S1 5.8 mm



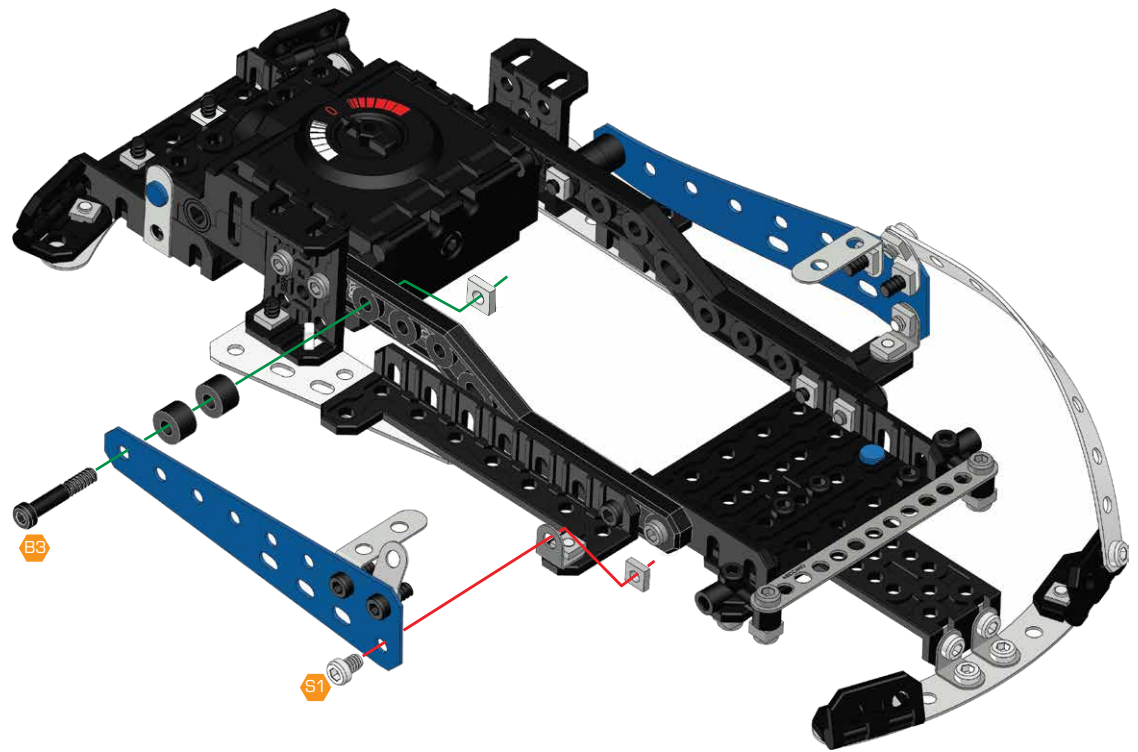
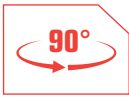
**23**

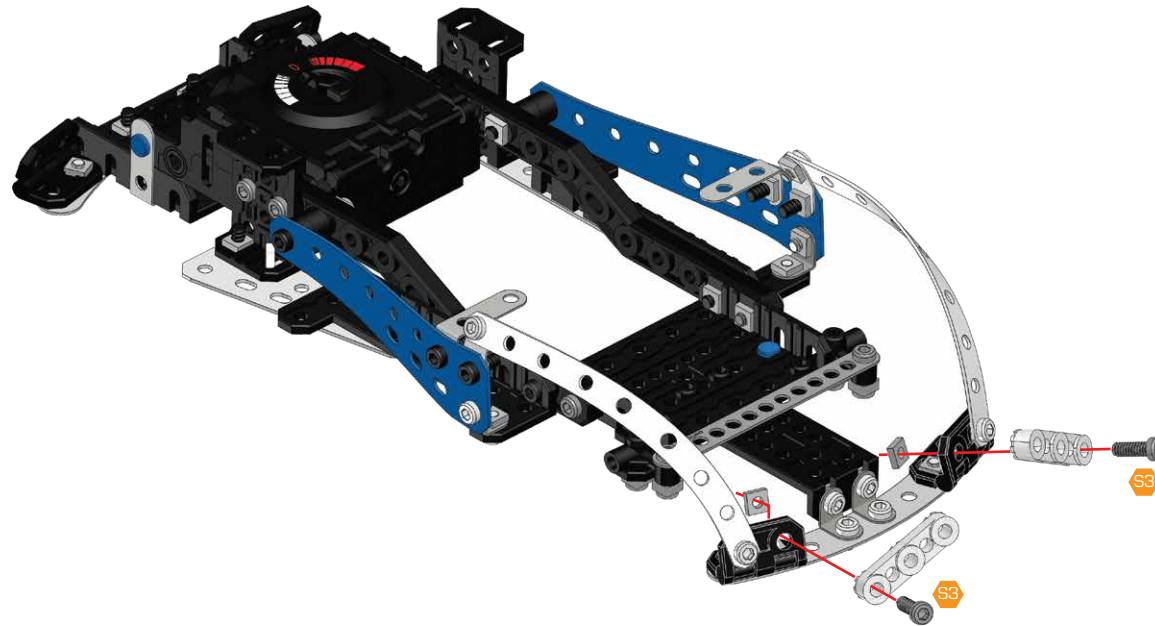
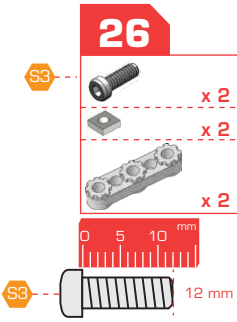
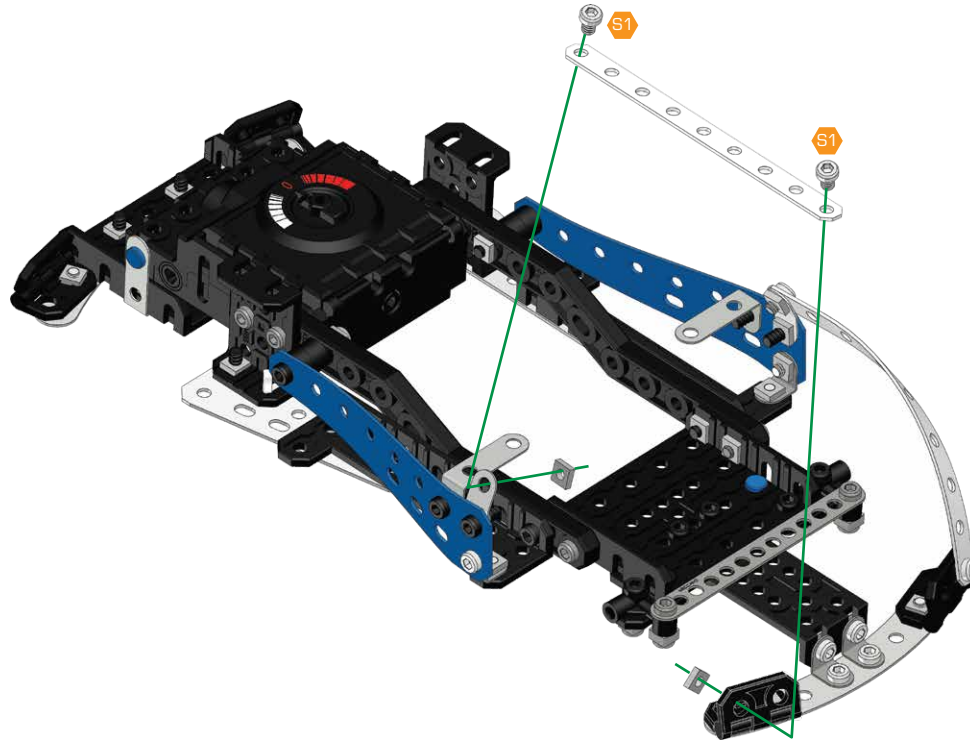
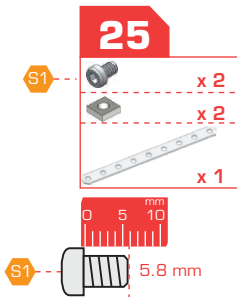
- S2 x 2
- x 2
- x 1
- x 1
- x 1
- 0 5 10 15 20 mm
- S2 9.5 mm



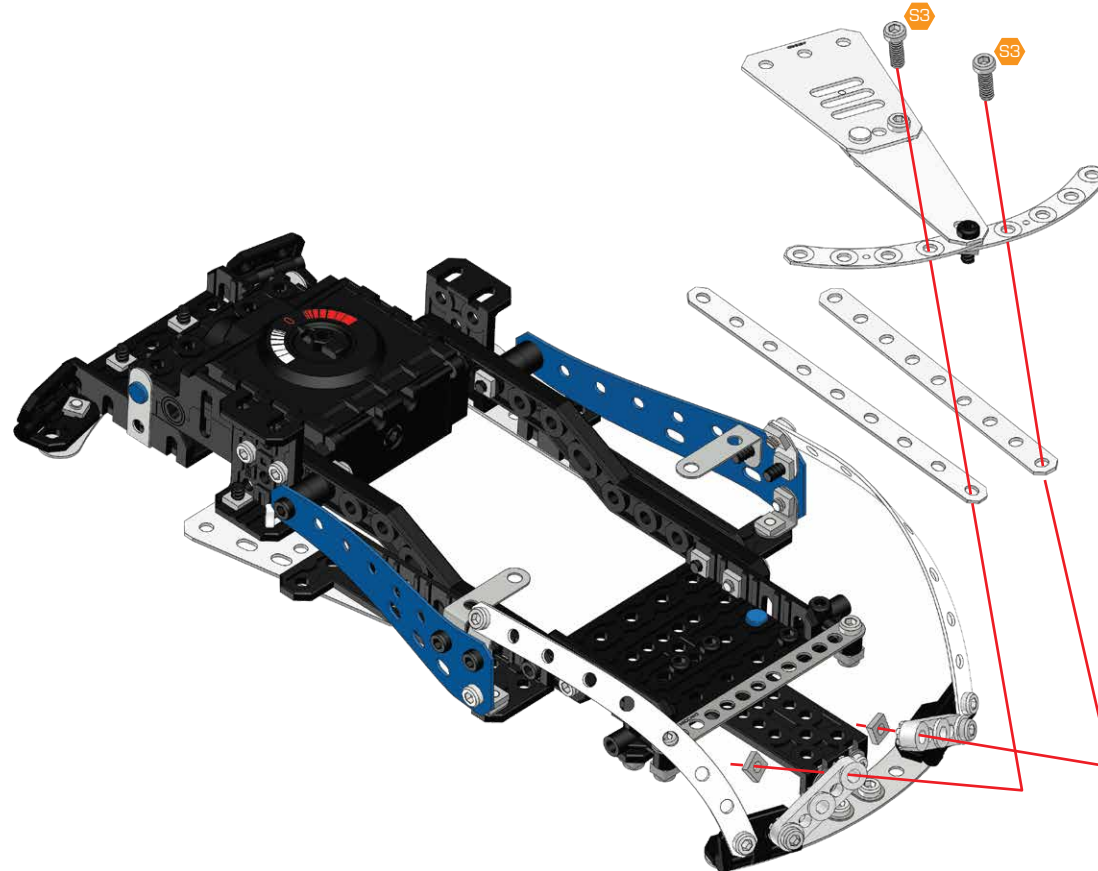
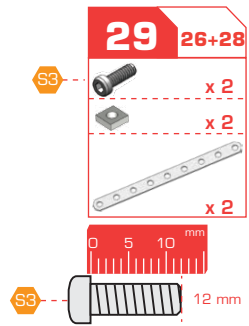
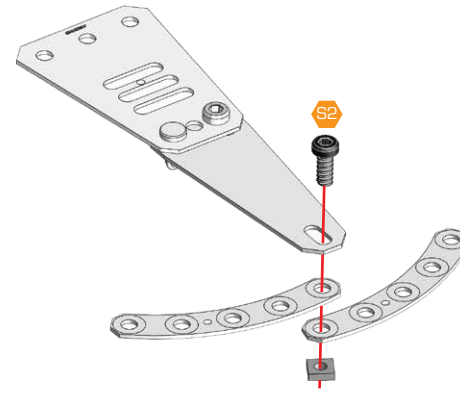
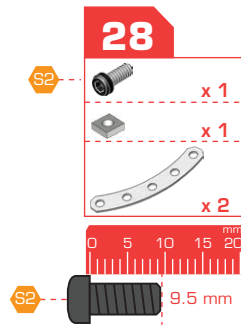
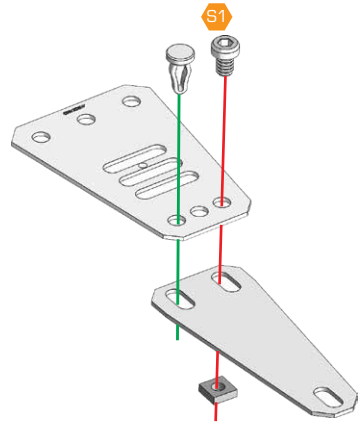
**24** 22+23

- S1 x 1
- B3 x 1
- x 2
- x 2
- 0 5 10 15 20 25 30 mm
- S1 5.8 mm
- B3 23 mm
- A238 1:1





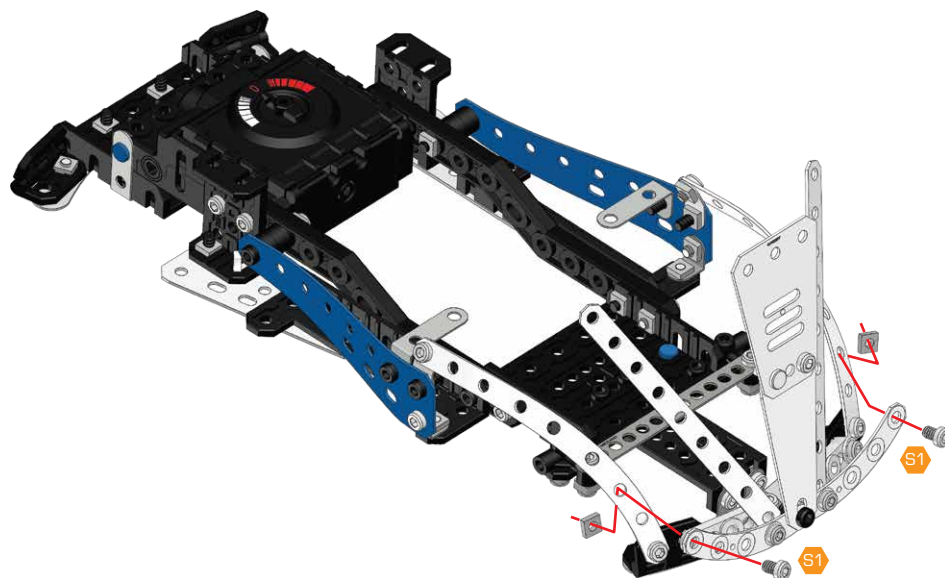




**30**

- S1 x 2
- x 2

S1 5.8 mm

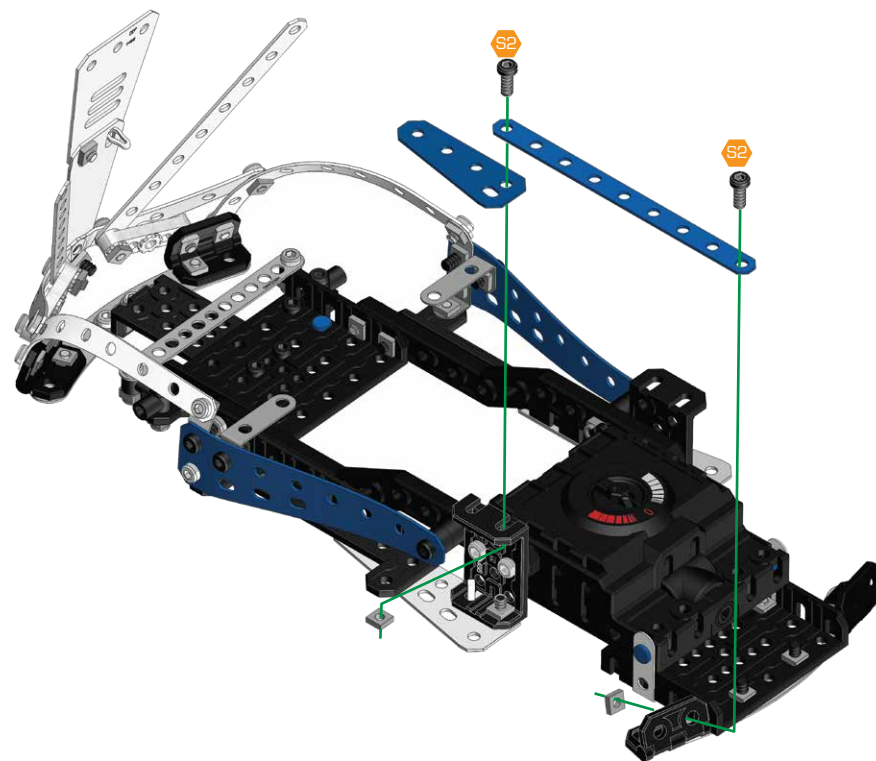


**31**

- S2 x 2
- x 2
- x 1
- x 1

S2 9.5 mm

180°

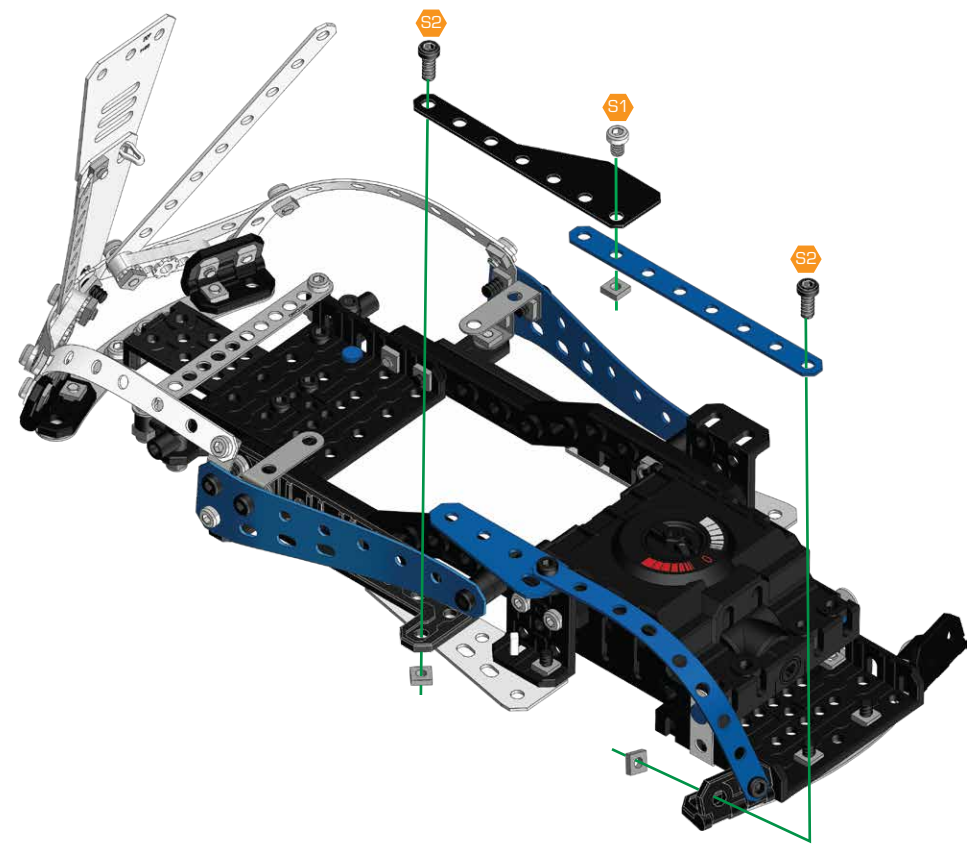


### 32

- S1 x 1
- S2 x 2
- x 3
- x 1
- x 1

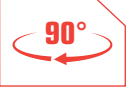


- S1 5.8 mm
- S2 9.5 mm

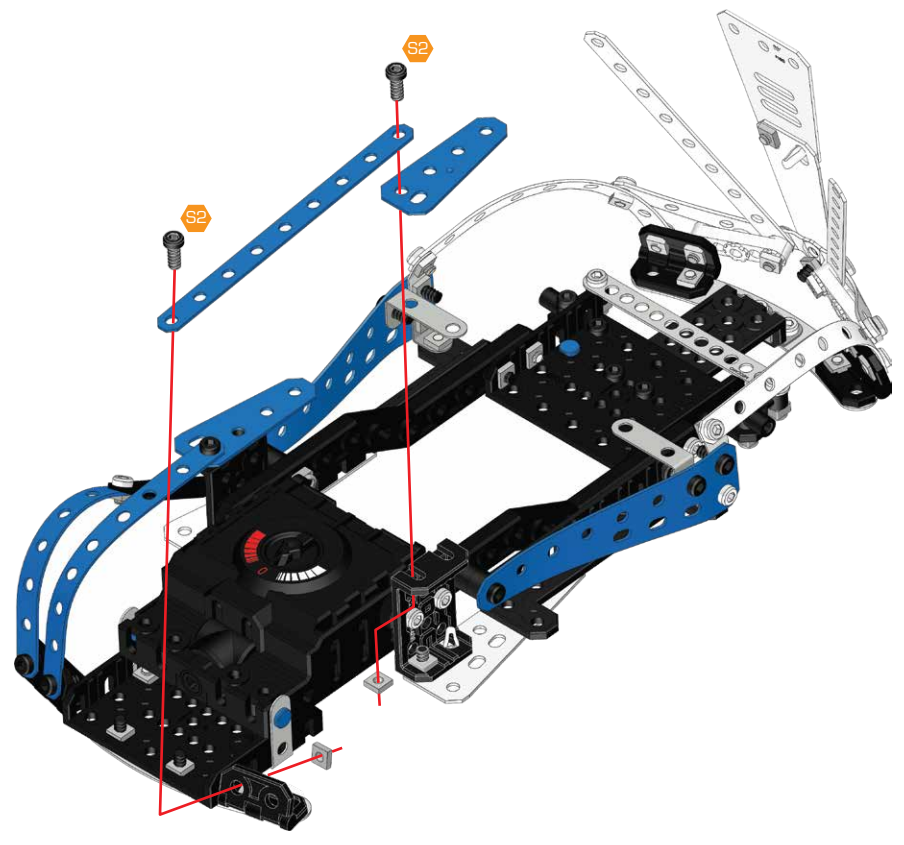


### 33

- S2 x 2
- x 2
- x 1
- x 1



- S2 9.5 mm

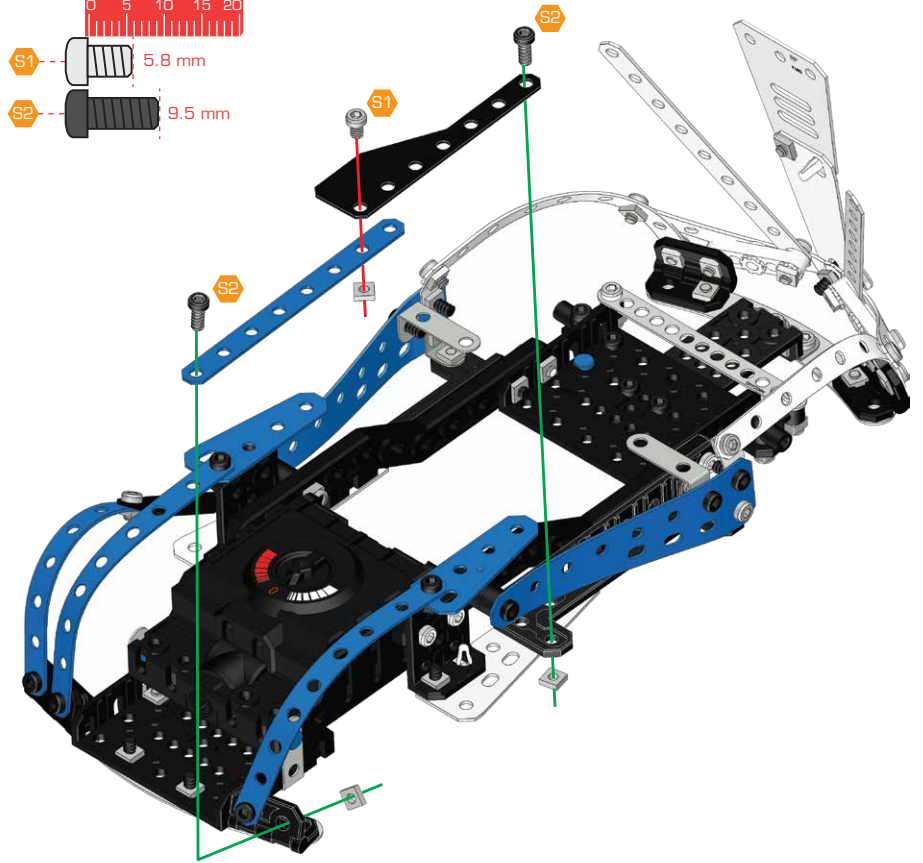


### 34

- S1 x 1
- S2 x 2
- x 3
- x 1
- x 1



- S1 5.8 mm
- S2 9.5 mm

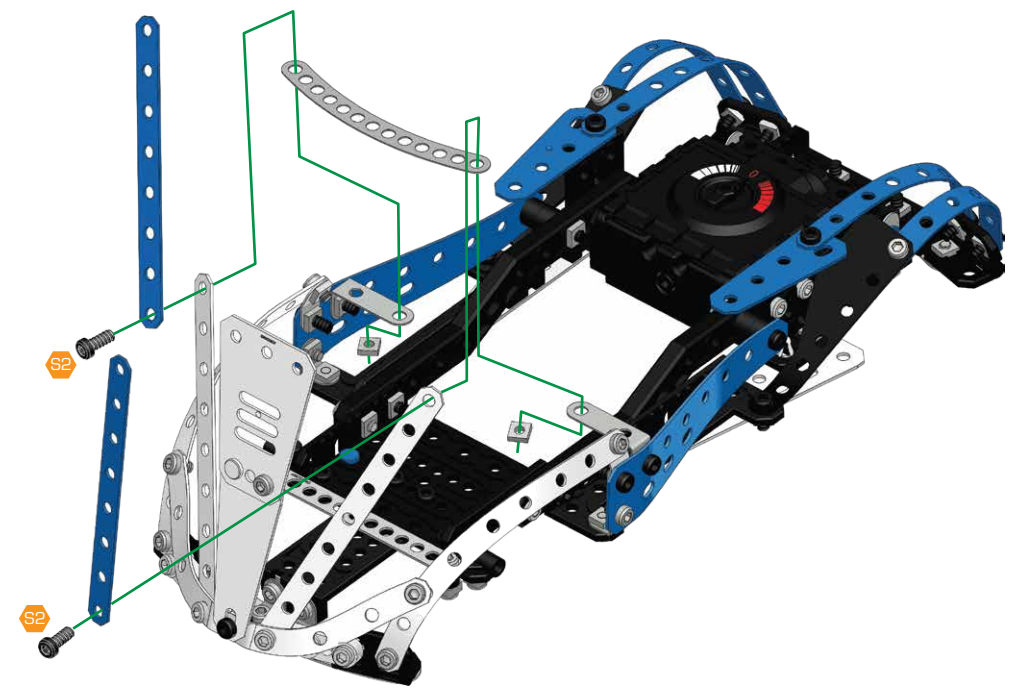


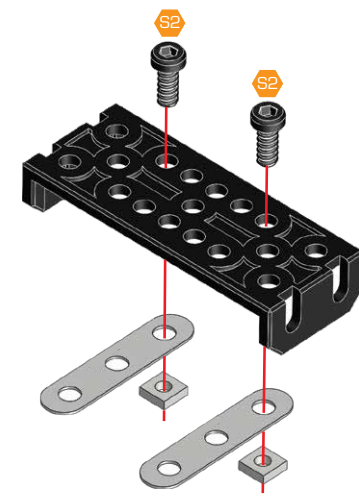
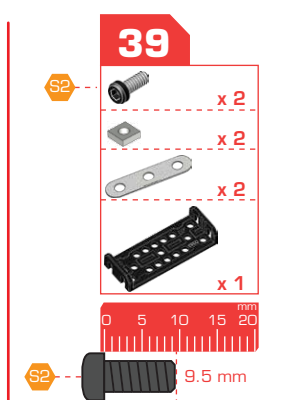
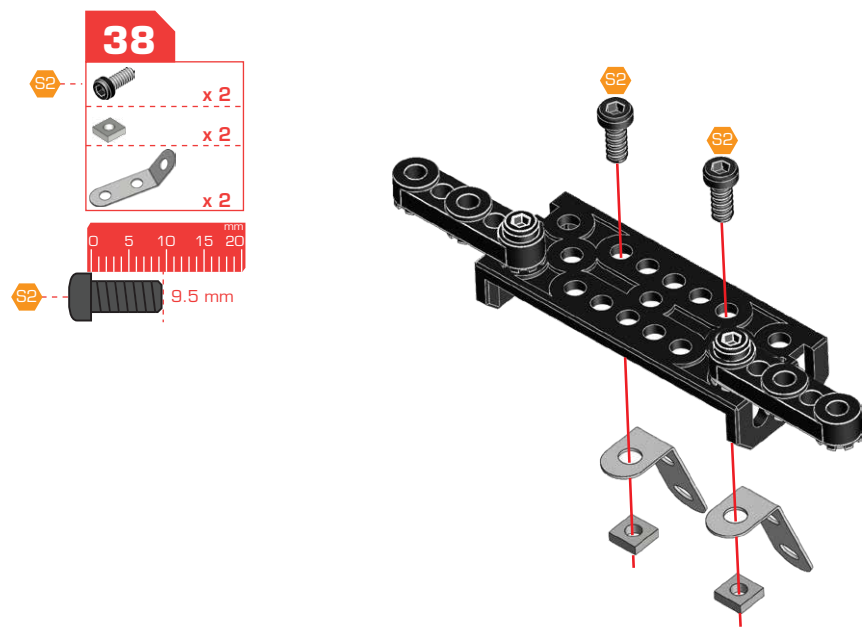
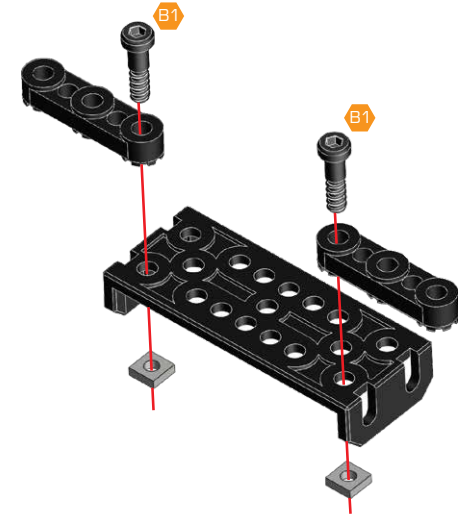
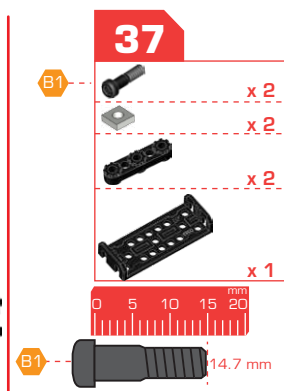
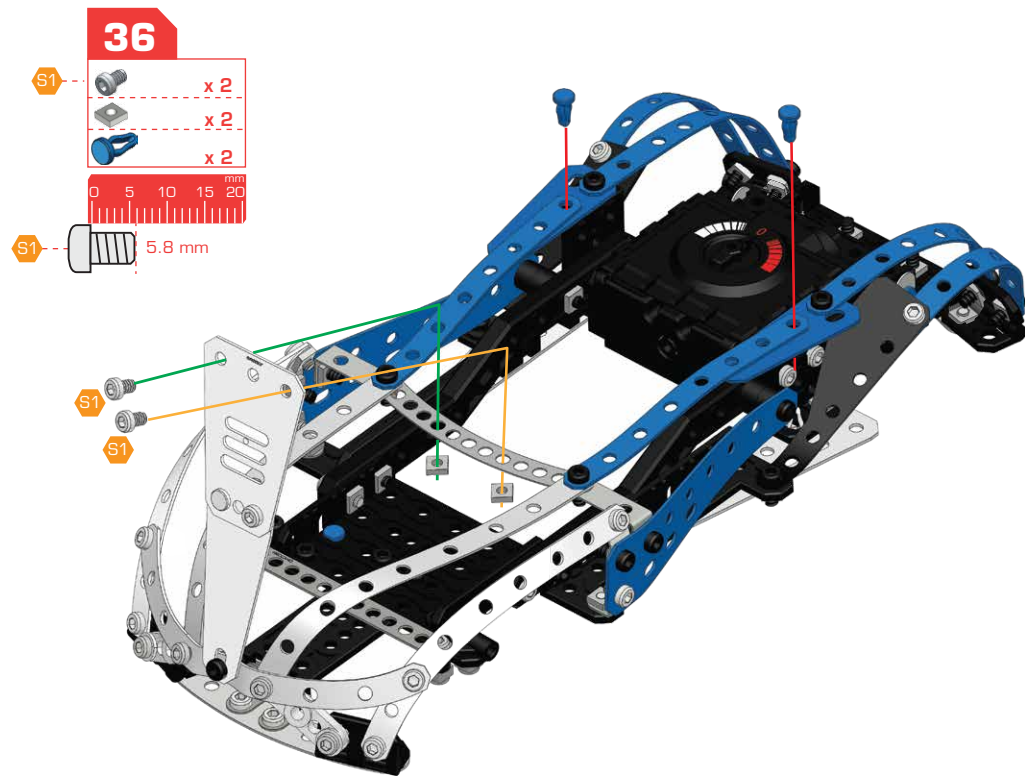
### 35

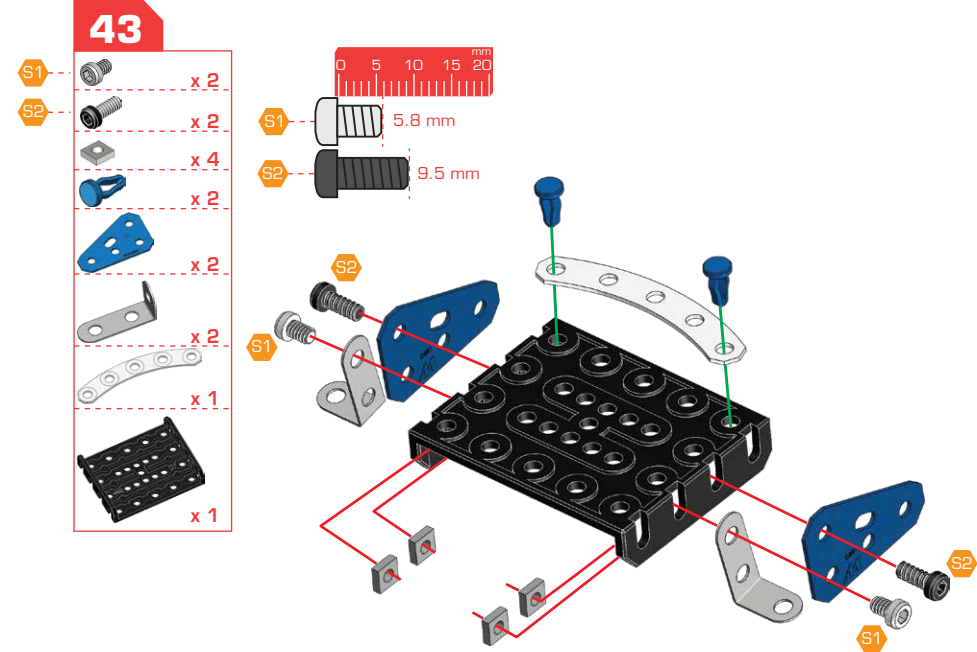
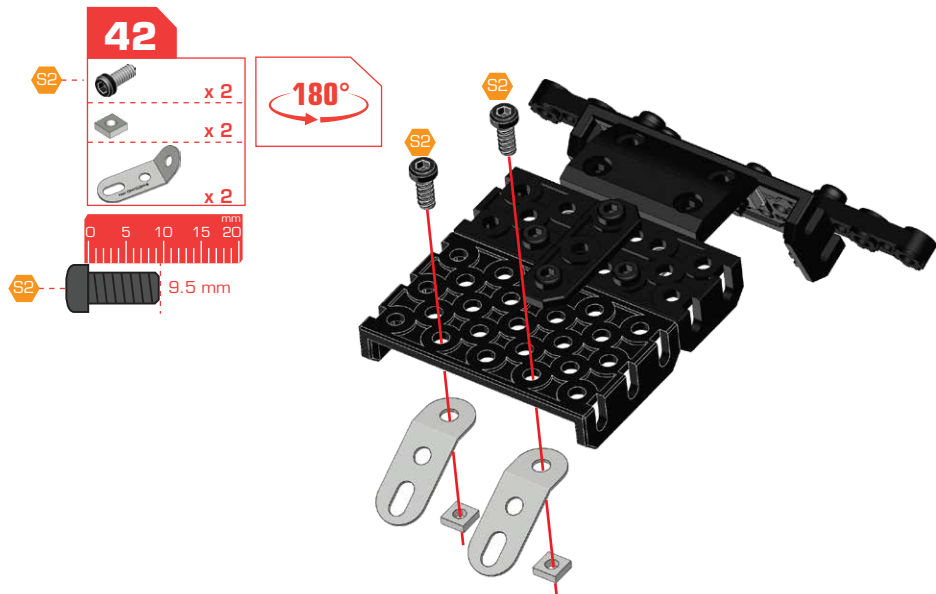
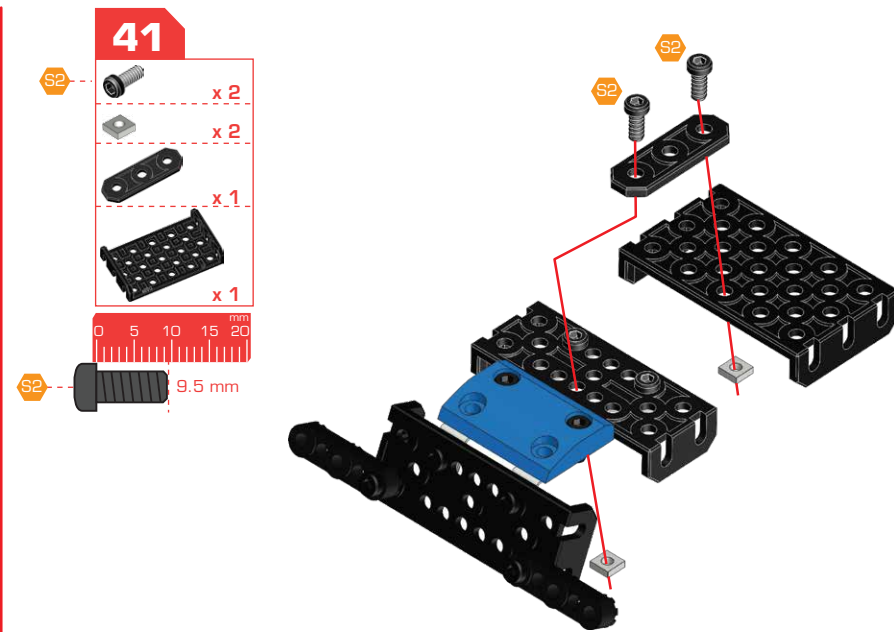
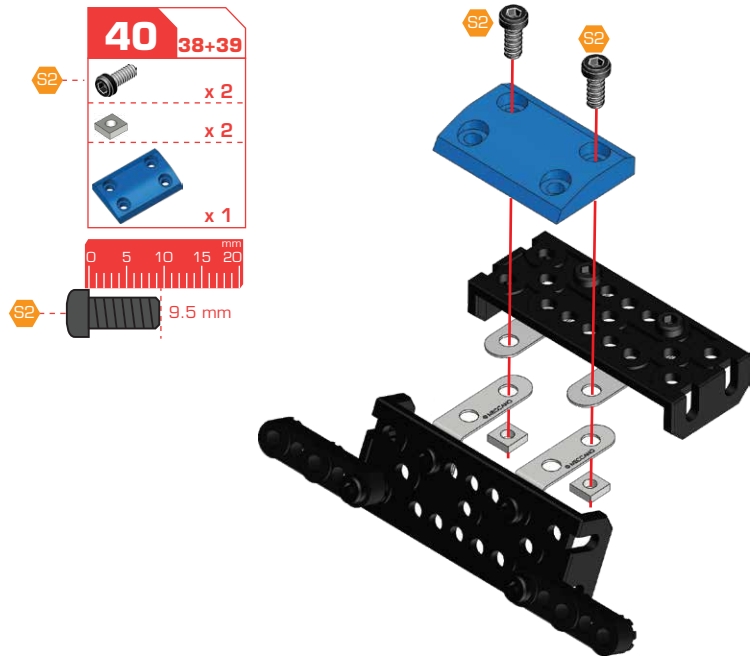
- S2 x 2
- x 2
- x 1
- x 2

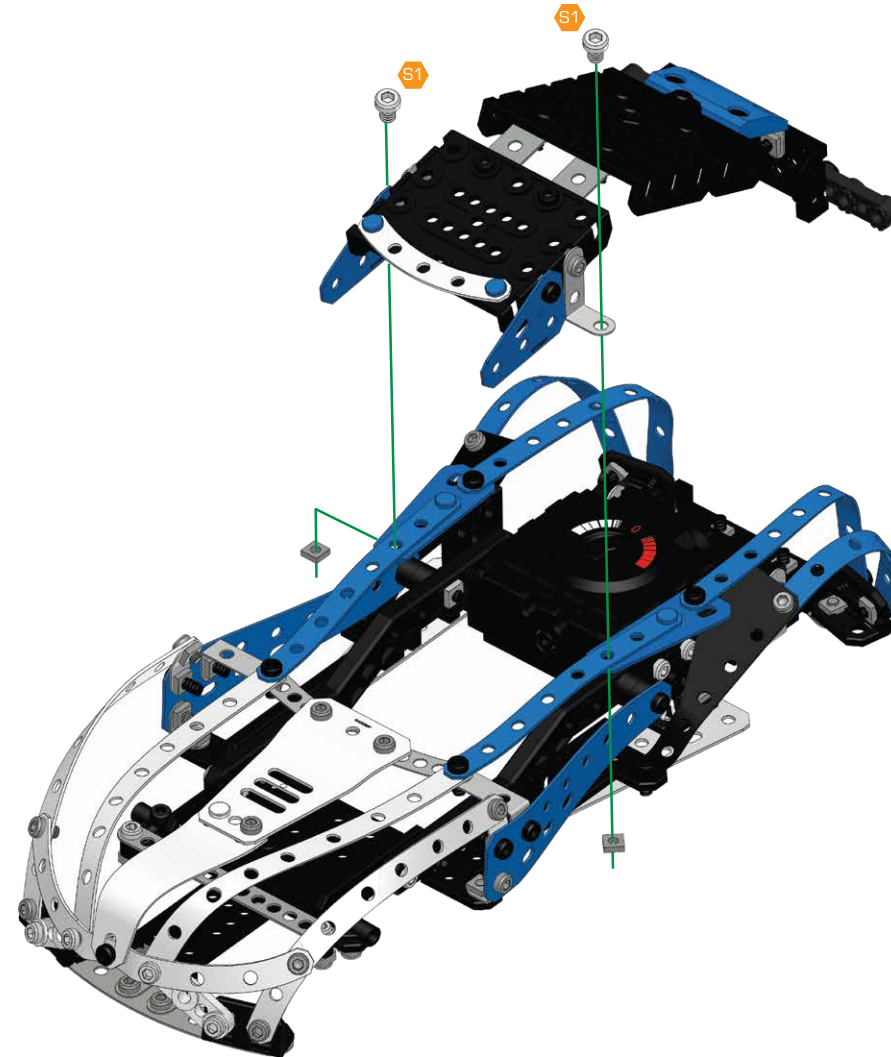
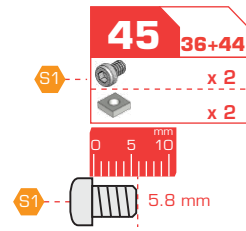
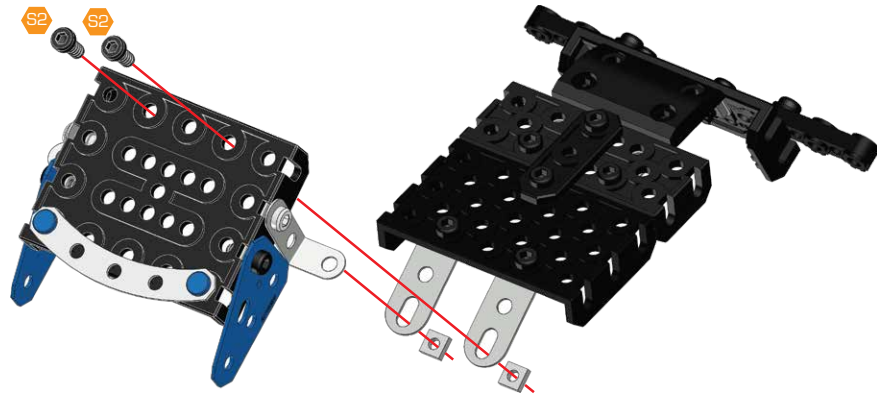
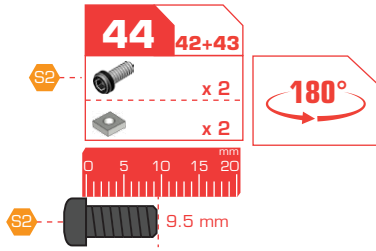


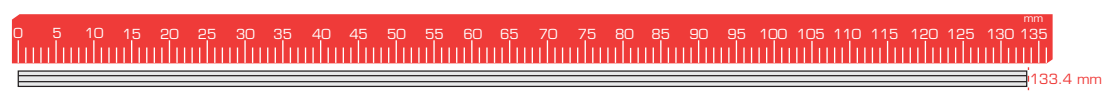
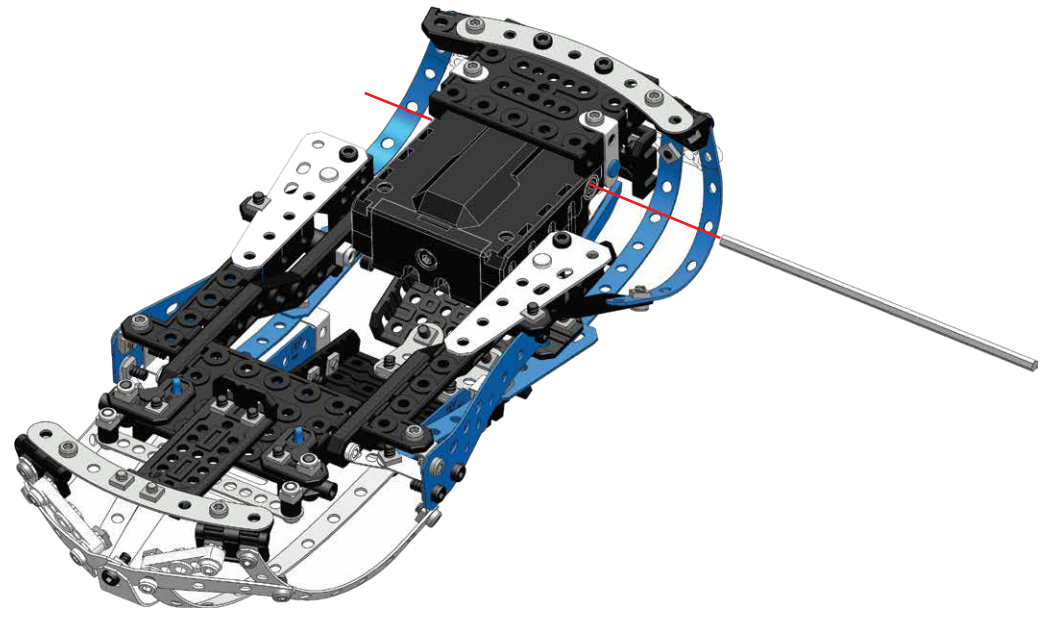
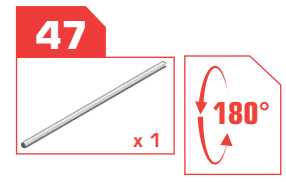
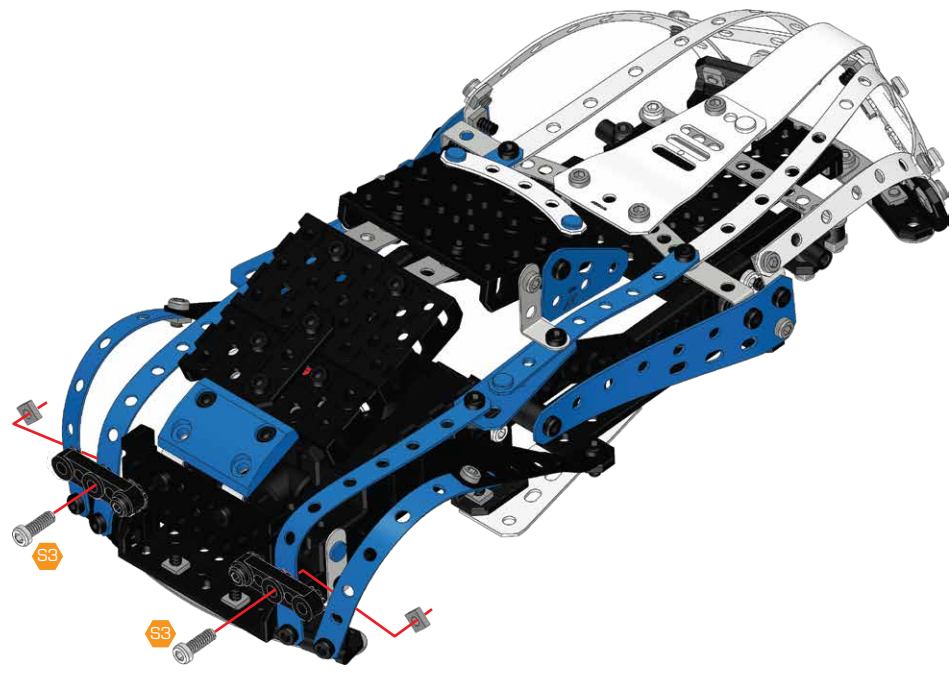
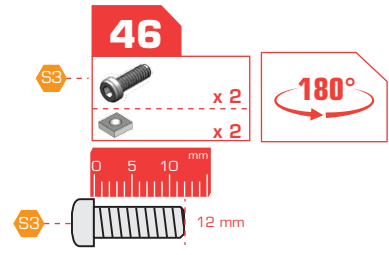
- S2 9.5 mm













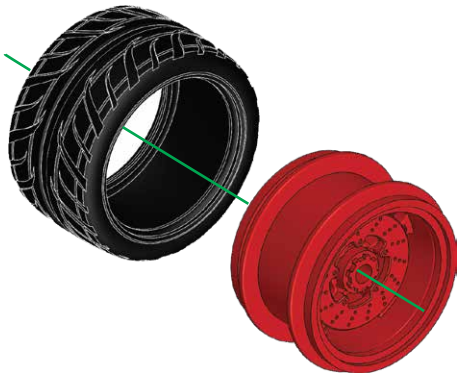
**48**



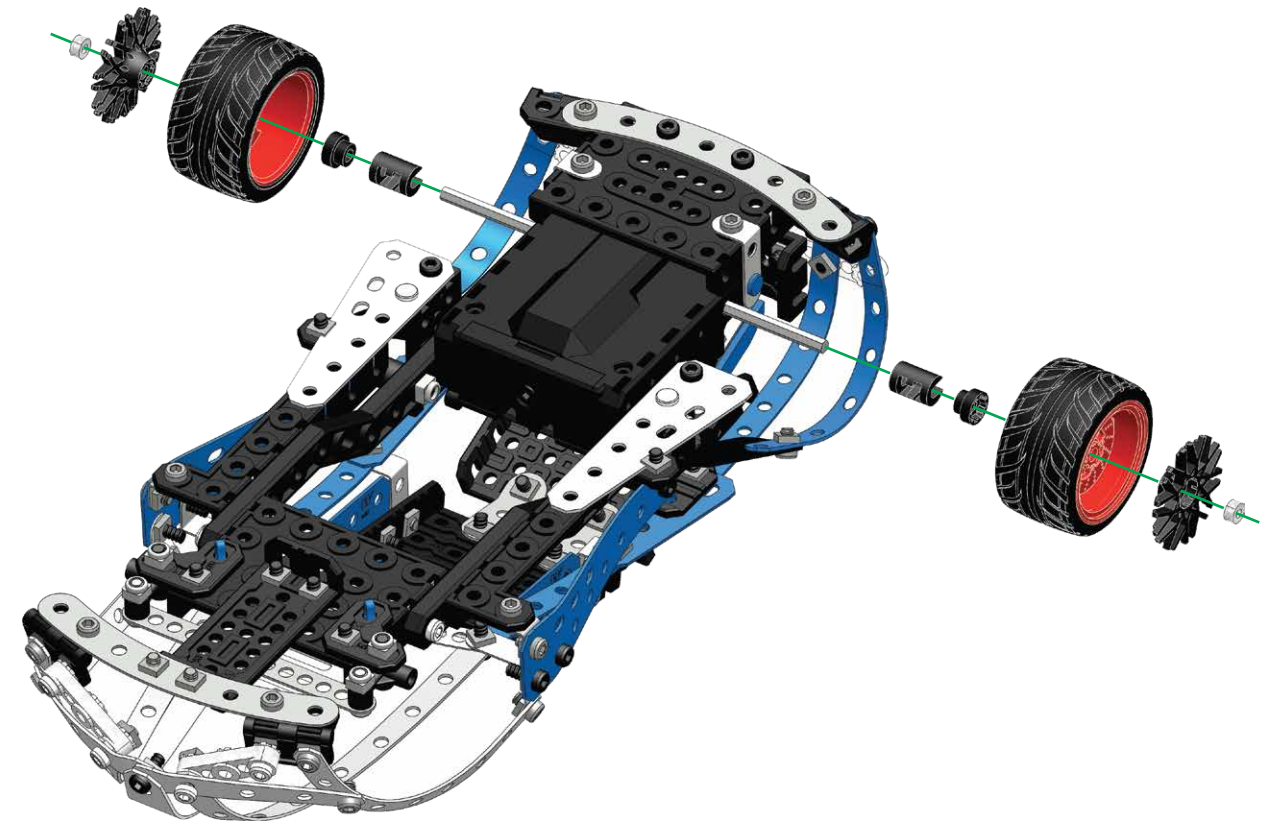
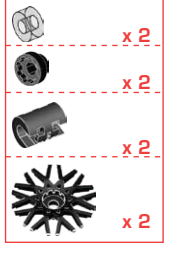
**x2**



**x2**



**49** 47+48

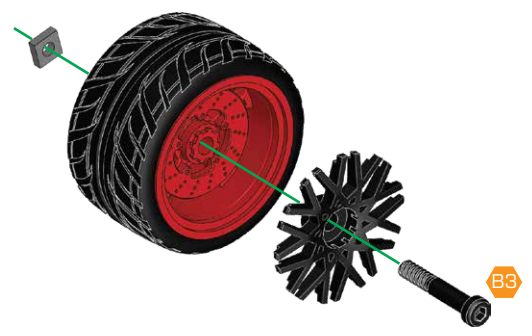
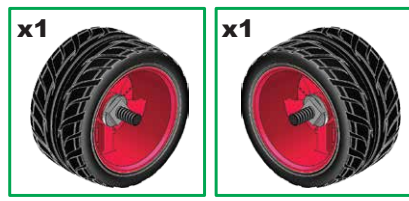


**50** +48

- x 2
- x 2
- x 2

0 5 10 15 20 25 30 mm

23 mm



**51** 49+50

